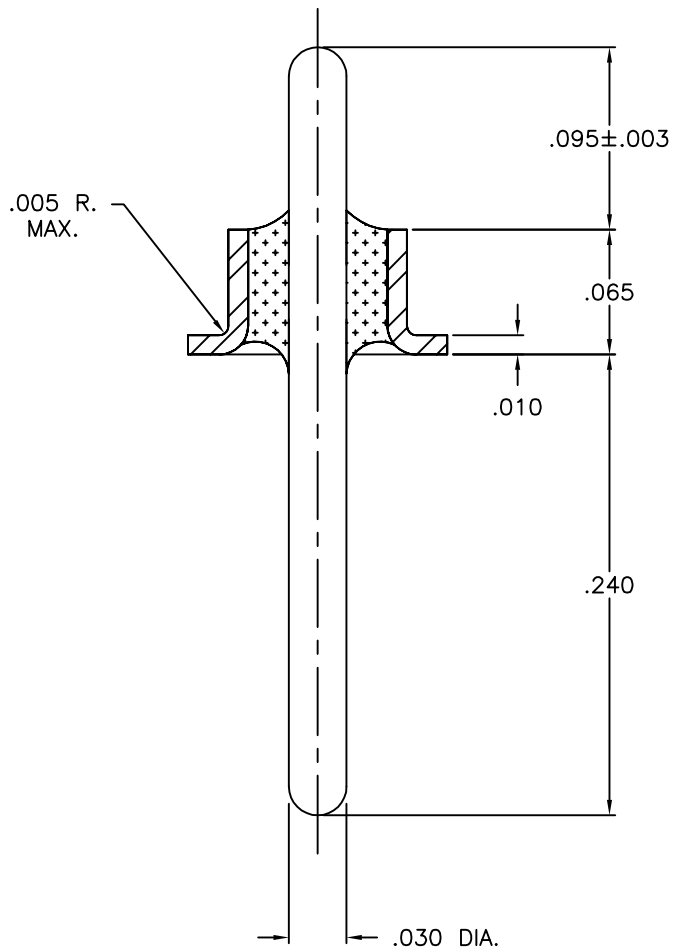
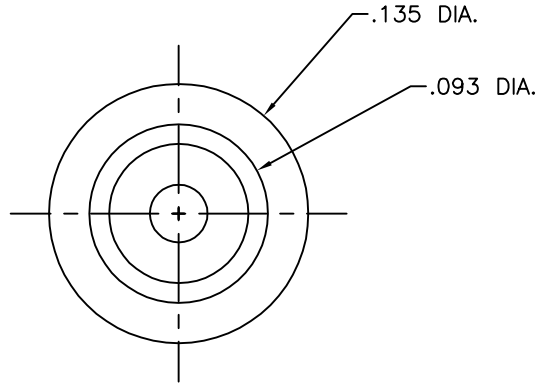



| REV | DESCRIPTION OF REVISION | E.C.N. | BY | APPROVED | DATE |
|-----|-------------------------|--------|--------|----------|----------|
| A | CORRECTED MATERIAL | | T.J.M. | E.T.W. | 02-26-97 |
| B | .095 DIM. WAS A REF. | | T.J.M. | E.T.W. | 11-21-97 |



MATERIAL:
 EYELET - ASTM F-15 ALLOY, KOVAR.
 GLASS - 7052 OR EQUAL.
 LEAD - ASTM F-15 ALLOY, KOVAR.

PLATING:
 1. PER PLATING MIL-STD QQ-S-571-D TIN LEAD ALLOY.

| | | | | | | |
|------------------------------------|-----------------------------------|------------|------------|---|--------------------------|---|
| DRAWN BY: TINA MOSS 01-16-96 | MATERIAL: SEE ABOVE | | | TOLERANCING PER ANSI Y14.5 .X ± .005 .XXX ± .005 .XX ± .005 ANG ± 5 UNLESS OTHERWISE SPECIFIED | |  Legacy Technologies Inc. 6700 W. 47th TERR. MISSION, KS. 66203 TEL: 913-432-2487 FAX: 913-432-0570 |
| | CHECKED BY: E.T.W. 01-18-96 | APP. SPECS | SUPERSEDES | NEXT ASSY FT-001-F | SCALE: 10:1 | |
| APPROVED BY: | TITLE: INSULATED FEED THRU | | | | PART NUMBER: FT-001-F | B |
| | | | | FILE: EA00009 | PAGE | 1 of 1 |