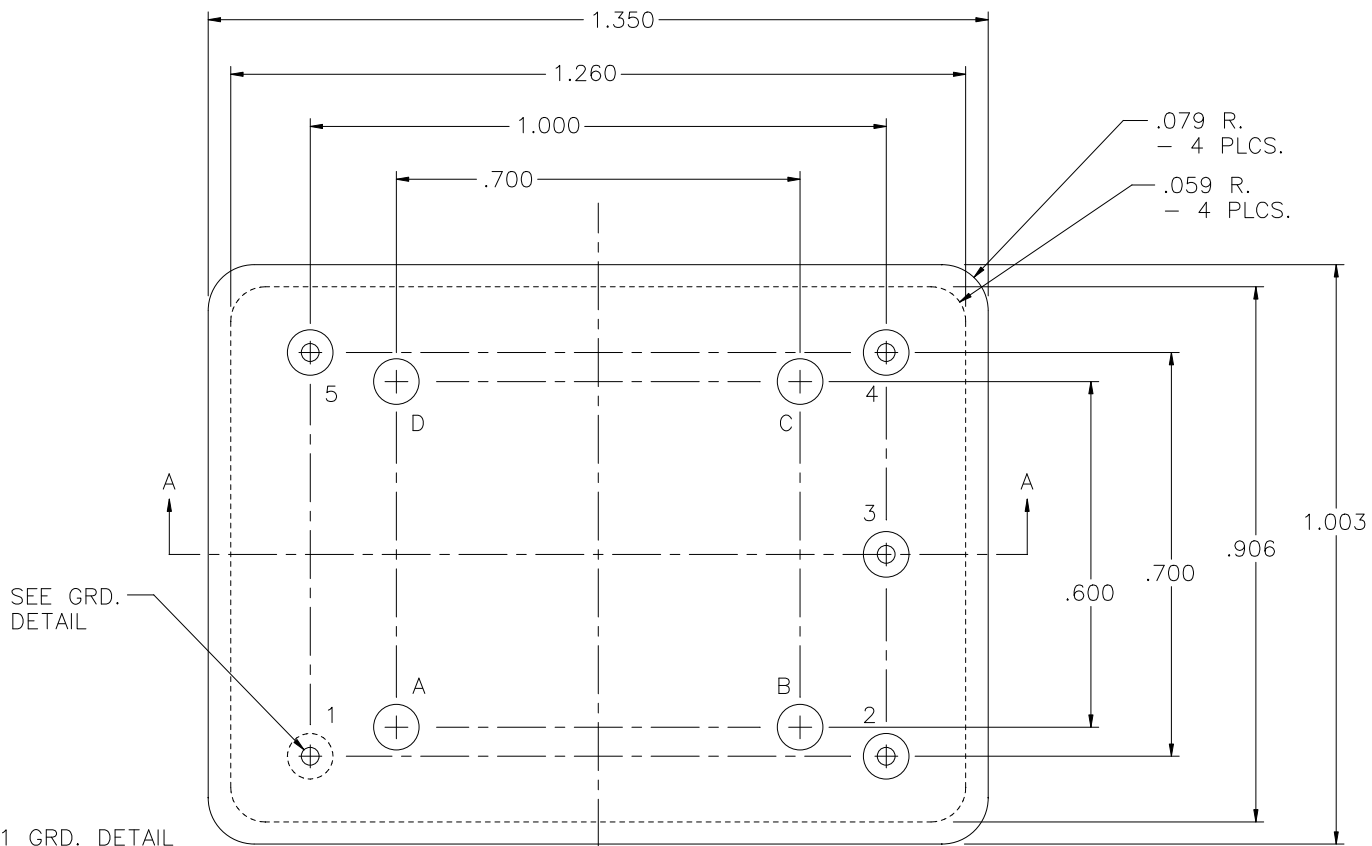
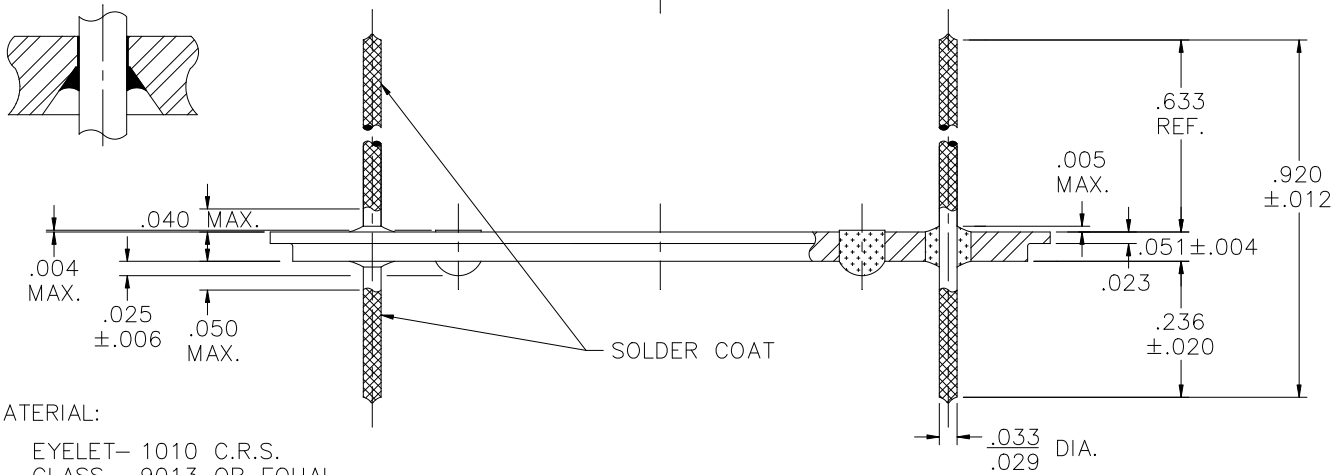


REV	DESCRIPTION OF REVISION	E.C.N.	BY	APPROVED	DATE
A	REVISED LEAD DIMENSIONING		E.T.W.	E.T.W.	07-22-98



PIN 1 GRD. DETAIL
SCALE: 8:1




MATERIAL:

- EYELET- 1010 C.R.S.
- GLASS - 9013 OR EQUAL.
- LEADS - ASTM F-30, 52 ALLOY.
- BRAZE - BT VTG AG. CU. EUTECTIC.

PLATING:

1. ELECTROLESS NICKEL FINAL PLATE OF 100 MICROINCHES MINIMUM.
2. SOLDER COAT ON POST AND LEADS ONLY PER MIL-STD QQ-S-571-D TIN LEAD ALLOY.

DRAWN BY: E.T.W. 06-26-98		MATERIAL: SEE ABOVE		TOLERANCING PER ANSI Y14.5 .X ±.005 .XXX ±.005 .XX ±.005 ANG ±5° UNLESS OTHERWISE SPECIFIED		 6700 W. 47th TERR. MISSION, KS. 66203 TEL: 913-432-2487 FAX: 913-432-0570	
CHECKED BY: E.T.W. 06-26-98		APP. SPECS 730-53-300	SUPERSEDES	NEXT ASSY	SCALE: N.T.S.		FINISH: UNLESS OTHERWISE SPECIFIED
APPROVED BY:		TITLE: 1.003 x 1.350 EUROPACK HEADER				PART NUMBER: DC-1003-1350-H PT/LT	A
FILE: WA00028		PAGE 1		OF 1			