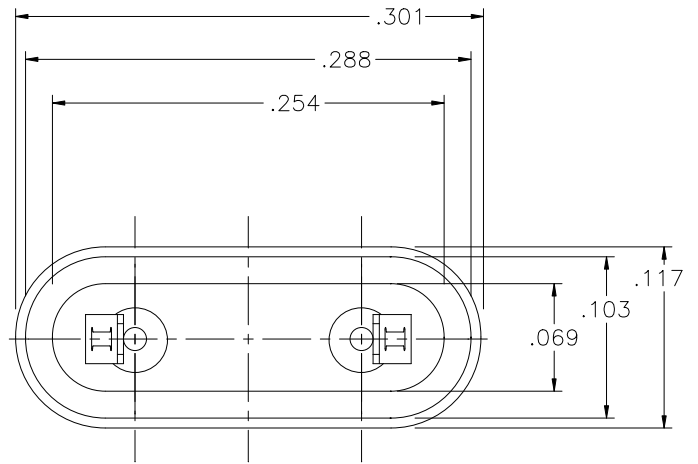
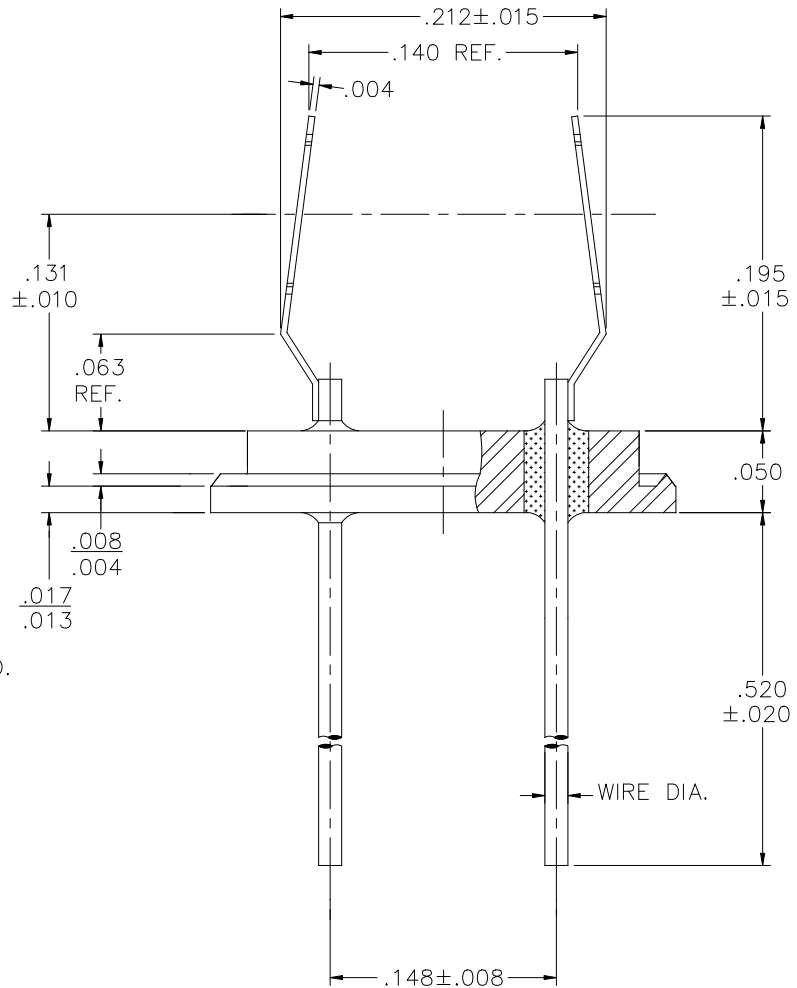
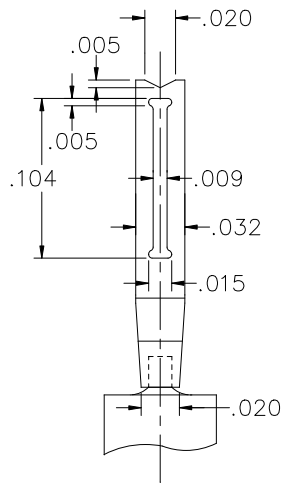


REV	DESCRIPTION OF REVISION	E.C.N.	BY	APPROVED	DATE
A	WAS .175 REF. NOW .140 REF.		E.T.W.	D.P.	10-10-11



RR-45-015A-DB001A B.212 RoHS	.016/.013
RR-45-A-DB001A B.212 RoHS	.019/.016
PART NO.	WIRE DIA.




MATERIAL:

EYELET - 1010 C.R.S. OR EQUAL.
 GLASS - 9013 OR EQUAL.
 LEADS - ASTM F-30, 52 ALLOY.
 MOUNTS - C770 NICKEL SILVER, 1/2 HARD.

PLATING:

1. OPTION: RoHS COMPLIANT ELECTROLESS NICKEL PLATE OF 100 MICROINCHES MINIMUM FINAL PLATE.
2. OPTION: RoHS COMPLIANT ELECTROLESS NICKEL PLATE OF 100 MICROINCHES MINIMUM FOLLOWED BY A RoHS COMPLIANT LEAD FREE SOLDER COAT, ON LEADS ONLY.
3. OPTION: RoHS COMPLIANT ELECTROLESS NICKEL PLATE OF 100 MICROINCHES MINIMUM FOLLOWED BY A GOLD FLASH OF .99999 PURE 24 KARAT GOLD UP TO A MAX. OF 8 MICROINCHES.

DRAWN BY: E.T.W. 01-10-11	MATERIAL: SEE ABOVE	TOLERANCING PER ANSI Y14.5 .X ±.005 .XXX ±.005 .XX ±.005 ANG ±5° UNLESS OTHERWISE SPECIFIED		 6700 W. 47th TERR. MISSION, KS. 66203 TEL: 913-432-2487 FAX: 913-432-0570	
CHECKED BY:	APP. SPECS	SUPERSEDES	NEXT ASSY		PART NUMBER:
APPROVED BY:	TITLE: HC-45/U RESISTANCE WELD W/ DOG BONE MOUNT FOR .232 DIA. BLANK	SCALE: N.T.S.		FINISH: UNLESS OTHERWISE SPECIFIED	SEE PART NO. A
FILE: VA00040B				PAGE	1 OF 1