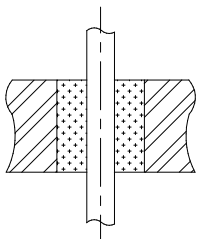
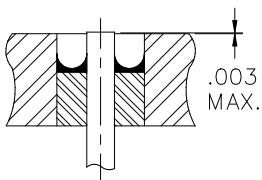


REV	DESCRIPTION OF REVISION	E.C.N.	BY	APPROVED	DATE
-----	-------------------------	--------	----	----------	------

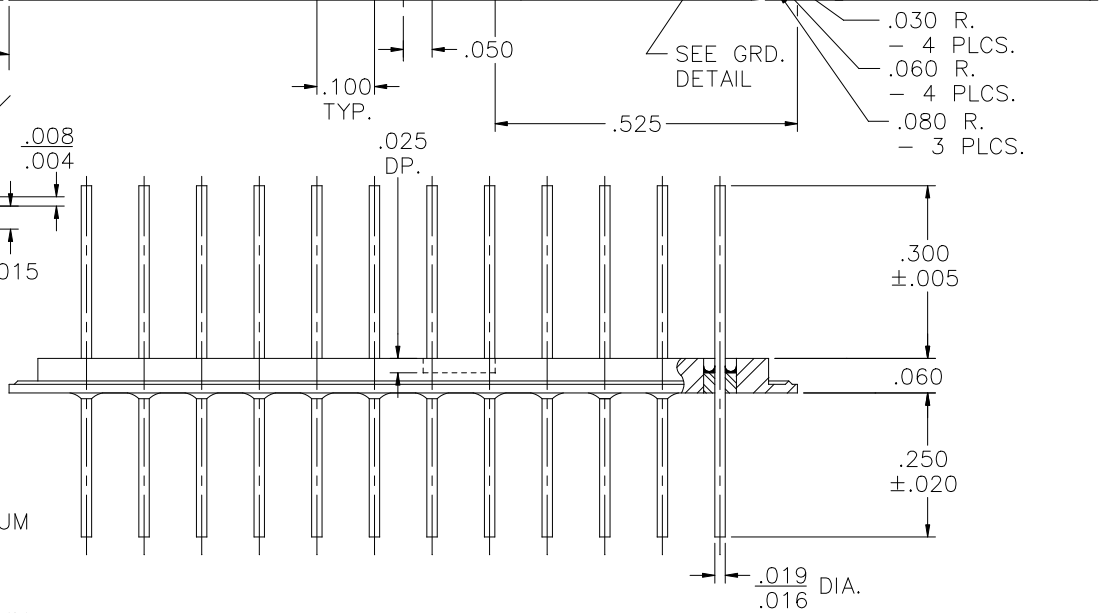
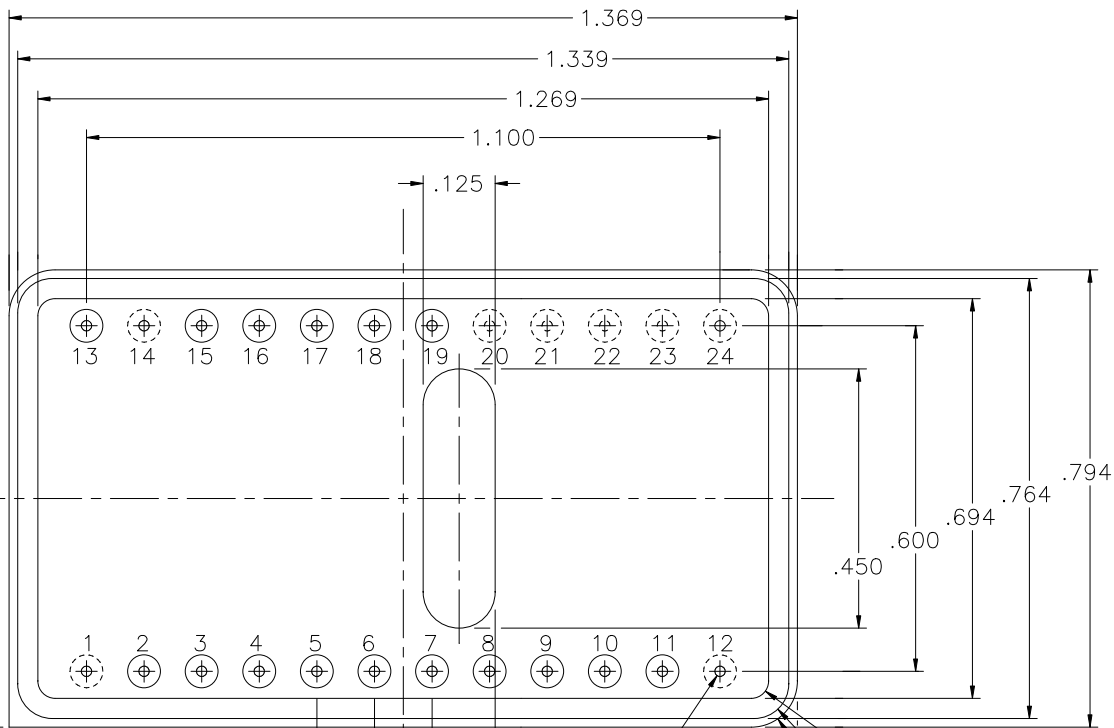
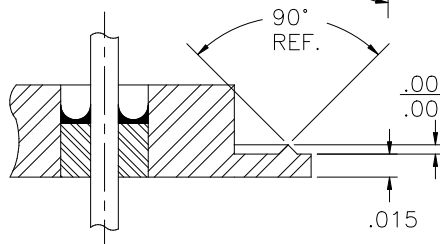
ALL OTHERS  
INSULATED THRU DETAIL  
SCALE: 8:1



PINS 20, 21, 22 & 23  
GRD. FLUSH DETAIL  
SCALE: 8:1



PINS 1, 12, 14 & 24  
GRD. THRU DETAIL  
SCALE: 8:1




PLATING:

1. OPTION: RoHS COMPLIANT ELECTROLESS NICKEL PLATE OF 100 MICROINCHES MINIMUM FINAL PLATE.
2. OPTION: RoHS COMPLIANT ELECTROLESS NICKEL PLATE OF 100 MICROINCHES MINIMUM FOLLOWED BY A RoHS COMPLIANT LEAD FREE SOLDER COAT, ON LEADS ONLY.
3. OPTION: RoHS COMPLIANT ELECTROLESS NICKEL PLATE OF 100 MICROINCHES MINIMUM FOLLOWED BY A GOLD FLASH OF .99999 PURE 24 KARAT GOLD UP TO A MAX. OF 8 MICROINCHES.

MATERIAL:

- EYELET - ASTM F-15 ALLOY, KOVAR.
- GLASS - 7052 OR EQUAL.
- LEADS - ASTM F-15 ALLOY, KOVAR.
- BRAZE - OFHC CU. BRAZE.

DRAWN BY: E.T.W. 03-21-11	MATERIAL: SEE ABOVE	TOLERANCING PER ANSI Y14.5 .X ±.005 .XXX ±.005 .XX ±.005 ANG ±5° UNLESS OTHERWISE SPECIFIED		 <p>6700 W. 47th TERR. MISSION, KS. 66203 TEL: 913-432-2487 FAX: 913-432-0570</p>
CHECKED BY:	APP. SPECS	SUPERSEDES	NEXT ASSY	
APPROVED BY:	TITLE: .795 x 1.370 D.I.P. 24 PIN PINS 1,12,14,20,21,22,23 & 24 GRD. .300 P.H., 4 FLUSH P.H. & .250 L.L.	SCALE: 3:1		FINISH: UNLESS OTHERWISE SPECIFIED
PART NUMBER: RR-7951370-AM RoHS				FILE: UG00017B
PAGE				1 of 1