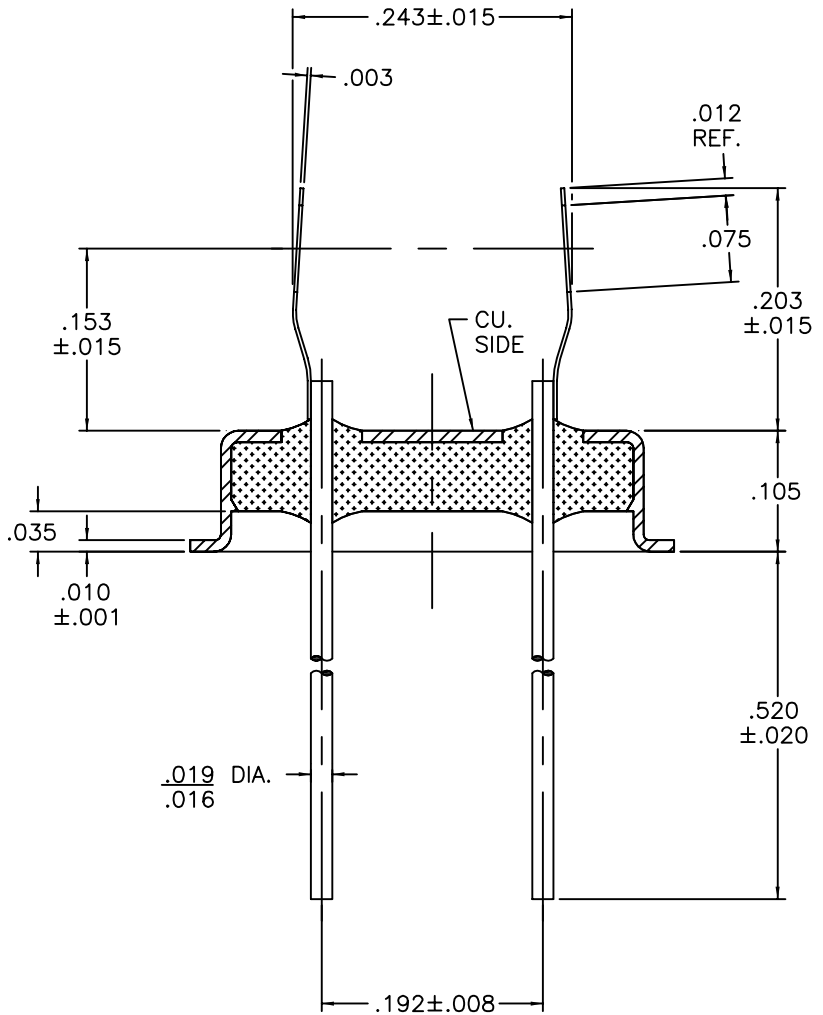
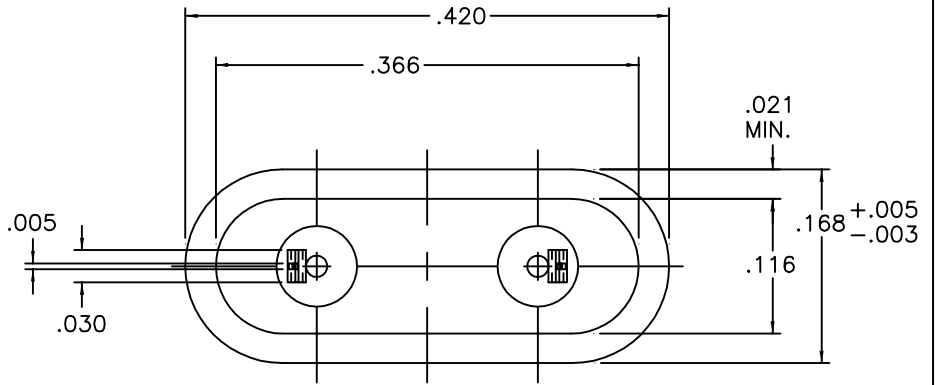


REV	DESCRIPTION OF REVISION	E.C.N.	BY	APPROVED	DATE
B	ADJUSTED PRINT		E.T.W.	E.T.W.	11-21-02




MATERIAL:

- EYELET - 30/70 COPPER CLAD KOVAR.
- GLASS - 7052 OR EQUAL.
- LEADS - ASTM F-15 ALLOY, KOVAR.
- MOUNT - C770 NICKEL SILVER, FULL HARD.

PLATING:

1. ELECTROLESS NICKEL FINAL PLATE OF 100 MICROINCHES MINIMUM.
2. OPTIONAL SOLDER COAT ON LEADS ONLY PER MIL-STD QQ-S-571-D TIN LEAD ALLOY.
3. OPTIONAL GOLD FLASH .99999 PURE 24 KARAT GOLD UP TO A MAX. OF 8 MICROINCHES OVER THE ELECTROLESS NICKEL FINAL PLATE.

DRAWN BY: TINA MOSS 04-23-96		MATERIAL: SEE ABOVE		TOLERANCING PER ANSI Y14.5 .X ± .005 .XXX ± .005 .XX ± .005 ANG ± 5° UNLESS OTHERWISE SPECIFIED		 Legacy Technologies Inc. 6700 W. 47th TERR. MISSION, KS. 66203 TEL: 913-432-2487 FAX: 913-432-0570			
CHECKED BY: E.T.W. 04-23-96		APP. SPECS	SUPERSEDES	NEXT ASSY				PART NUMBER: CW-185-WSM019D B.243	
APPROVED BY:		TITLE: HC-43/U W/ SLOT MOUNT FOR AROUND .250 DIA. BLANK				FILE: LA00002A		PAGE 1 of 1	