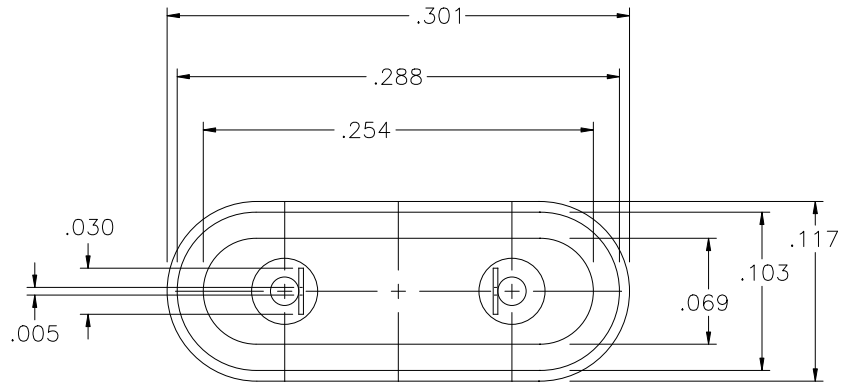
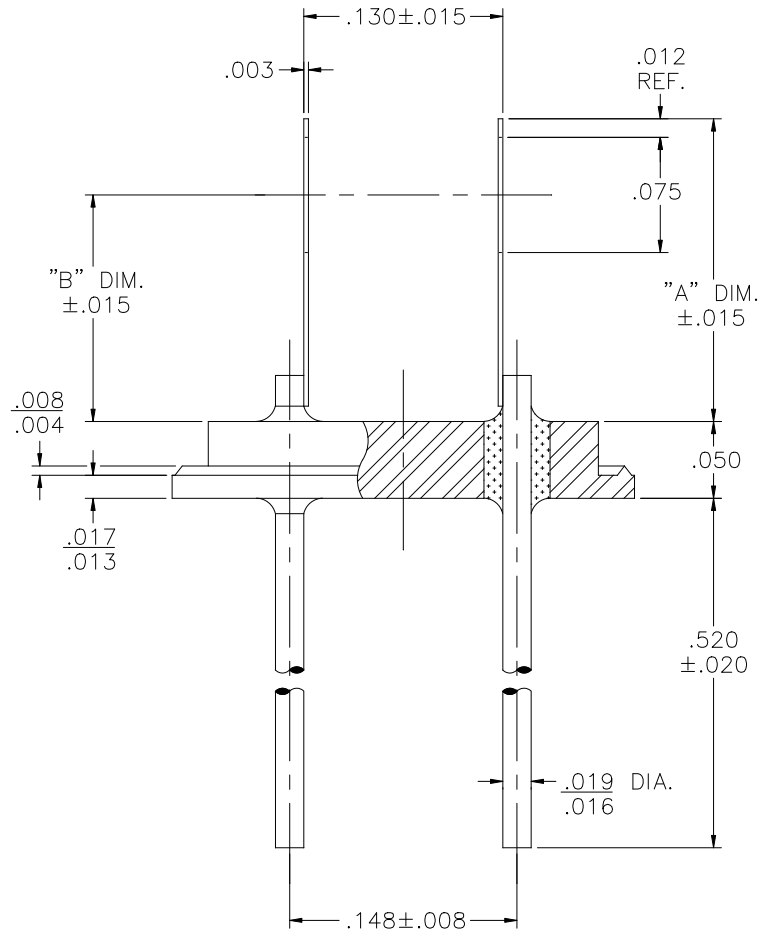


| REV | DESCRIPTION OF REVISION | E.C.N. | BY | APPROVED | DATE |
|-----|-------------------------|--------|----|----------|------|
|-----|-------------------------|--------|----|----------|------|



| | | |
|------------------------|----------|----------|
| WSM019C INSIDE RoHS | .133 | .085 |
| WSM019B INSIDE RoHS | .150 | .100 |
| PART NO. | "A" DIM. | "B" DIM. |




MATERIAL:

EYELET - 1010 C.R.S. OR EQUAL.
 GLASS - 9013 OR EQUAL.
 LEADS - ASTM F-30, 52 ALLOY.
 MOUNT - C770 NICKEL SILVER, FULL HARD.

PLATING:

1. OPTION: RoHS COMPLIANT ELECTROLESS NICKEL PLATE OF 100 MICROINCHES MINIMUM FINAL PLATE.
2. OPTION: RoHS COMPLIANT ELECTROLESS NICKEL PLATE OF 100 MICROINCHES MINIMUM FOLLOWED BY A RoHS COMPLIANT LEAD FREE SOLDER COAT, ON LEADS ONLY.
3. OPTION: RoHS COMPLIANT ELECTROLESS NICKEL PLATE OF 100 MICROINCHES MINIMUM FOLLOWED BY A GOLD FLASH OF .99999 PURE 24 KARAT GOLD UP TO A MAX. OF 8 MICROINCHES.

| | | | | |
|---------------------------------|---|--|-----------|---|
| DRAWN BY: E.T.W. 02-01-10 | MATERIAL: SEE ABOVE | TOLERANCING PER ANSI Y14.5 .X ±.005 .XXX ±.005 .XX ±.005 ANG ±5° UNLESS OTHERWISE SPECIFIED | |  6700 W. 47th TERR. MISSION, KS. 66203 TEL: 913-432-2487 FAX: 913-432-0570 |
| CHECKED BY: | APP. SPECS | SUPERSEDES | NEXT ASSY | |
| APPROVED BY: | TITLE: HC-45/U TYPE RESISTANCE WELD W/ SLOT MOUNT | | | PART NUMBER: RR-45-A- |
| FILE: VA00087 | | | | PAGE 1 of 1 |