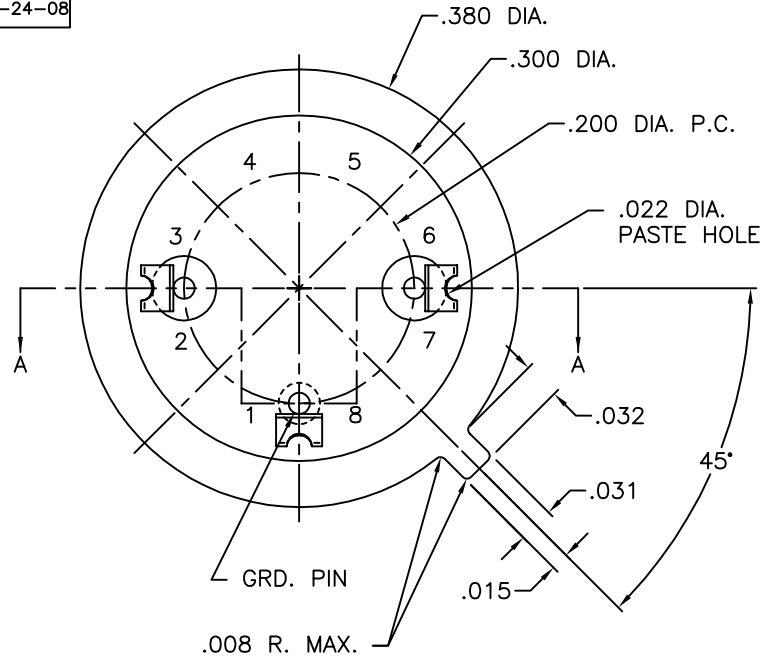
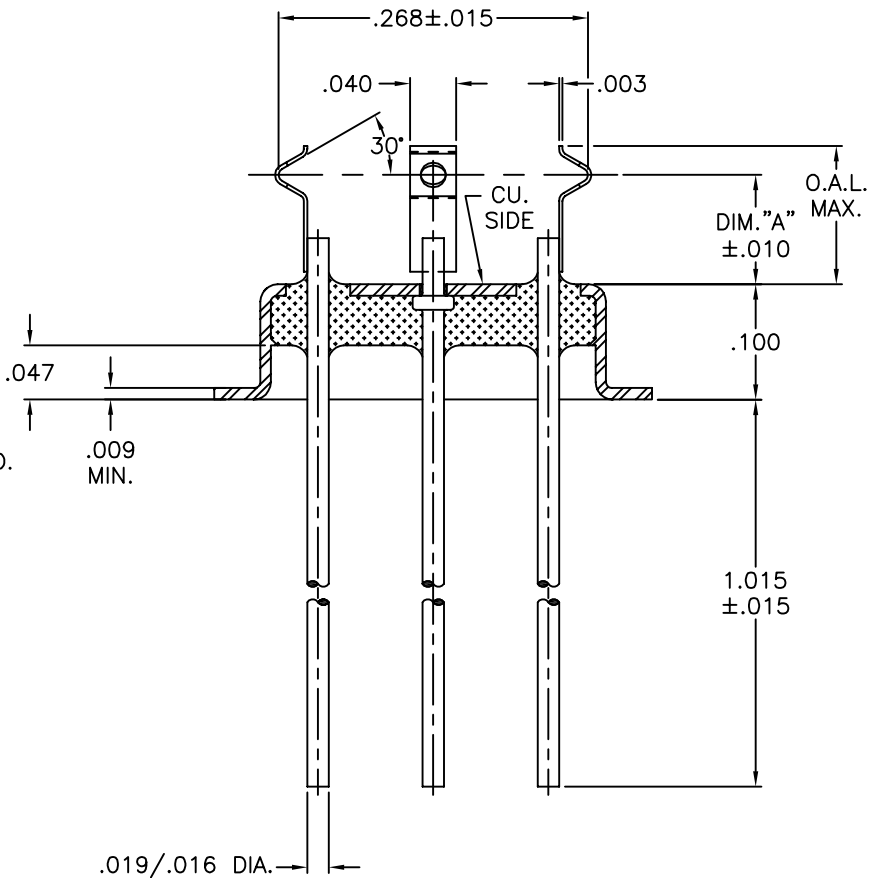


REV	DESCRIPTION OF REVISION	E.C.N.	BY	APPROVED	DATE
A	CORRECTED O.A.L. ON MOUNT WAS: .090, .105 & .120		E.T.W.	E.T.W.	07-24-08



-CH	.065	.105
-BH	.075	.115
-AH	.095	.130
DASH	"A" DIM.	O.A.L.




MATERIAL:

EYELET - 30/70 COPPER CLAD KOVAR.
 GLASS - 7052 OR EQUAL, OPAQUE.
 LEADS - ASTM F-15 ALLOY, KOVAR.
 MOUNT - C770 NICKEL SILVER, FULL HARD.

PLATING:

1. ELECTROLESS NICKEL FINAL PLATE OF 100 MICROINCHES MINIMUM.
2. OPTIONAL SOLDER COAT ON LEADS ONLY PER MIL-STD QQ-S-571-D TIN LEAD ALLOY.
3. OPTIONAL GOLD FLASH .99999 PURE 24 KARAT GOLD UP TO A MAX. OF 8 MICROINCHES OVER THE ELECTROLESS NICKEL FINAL PLATE.

SECTION A-A

DRAWN BY: E.T.W. 07-29-02	MATERIAL: SEE ABOVE	TOLERANCING PER ANSI Y14.5 .X ± .005 .XXX ± .005 .XX ± .005 ANG ± 5° UNLESS OTHERWISE SPECIFIED		 Legacy Technologies Inc. 6700 W. 47th TERR. MISSION, KS. 66203 TEL: 913-432-2487 FAX: 913-432-0570	
CHECKED BY: E.T.W. 07-29-02	APP. SPECS	SUPERSEDES CW-T05-	NEXT ASSY		PART NUMBER: CW-T05-H-VC009(SEE TABLE)
APPROVED BY:	TITLE: HC-35/U WIDE FLANGE TYPE W/ V-CLIP	SCALE: 6:1		FINISH: UNLESS OTHERWISE SPECIFIED <input checked="" type="checkbox"/>	
				FILE: GA00122	PAGE 1 of 1