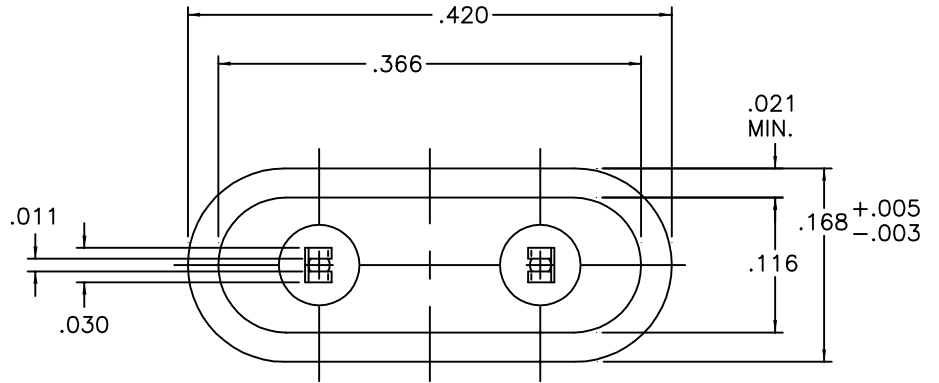
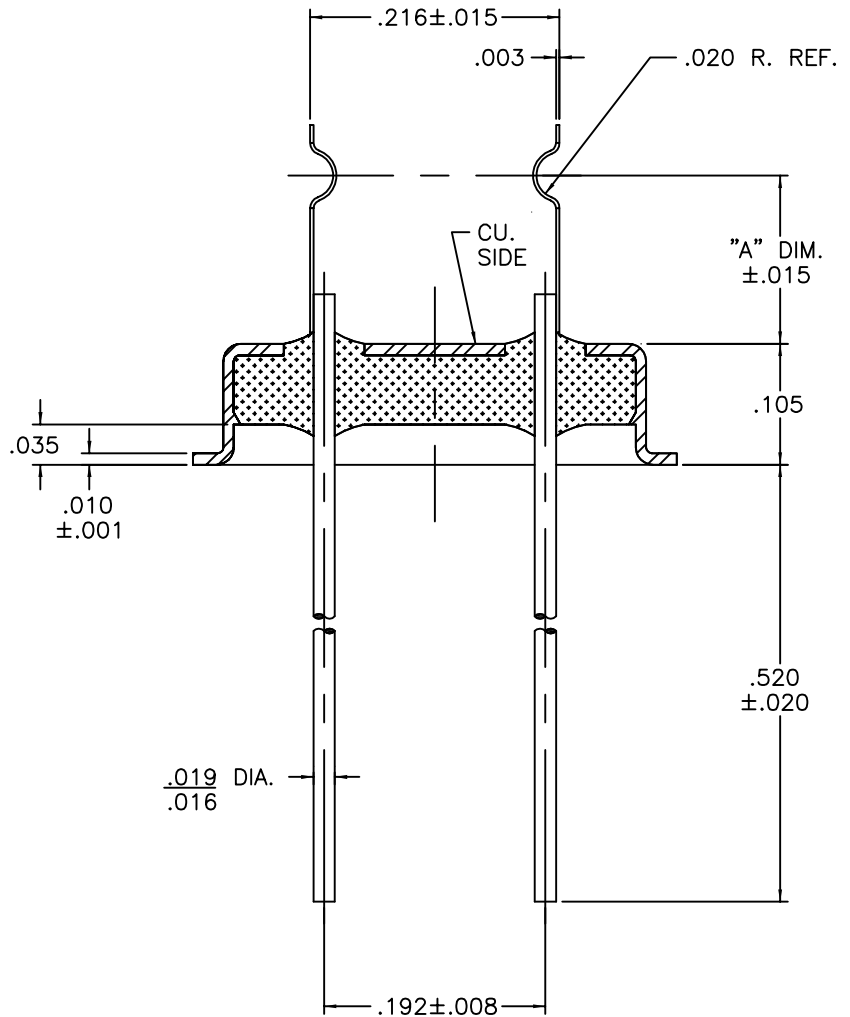


REV	DESCRIPTION OF REVISION	E.C.N.	BY	APPROVED	DATE
-----	-------------------------	--------	----	----------	------



HM-05-12	.113
HM-05-11	.195
HM-05-10	.228
HM-05-9	.083
HM-05-8	.098
HM-05-7	.176
HM-05-6	.135
HM-05-5	.184
HM-05-4	.206
HM-05-3	.216
HM-05-2	.171
HM-05-1	.146
DASH	"A" DIM.



MATERIAL:

EYELET - 30/70 COPPER CLAD KOVAR.
 GLASS - 7052 OR EQUAL.
 LEADS - ASTM F-15 ALLOY, KOVAR.

PLATING:

1. ELECTROLESS NICKEL FINAL PLATE OF 100 MICROINCHES MINIMUM.
2. OPTIONAL SOLDER COAT ON LEADS ONLY PER MIL-STD QQ-S-571-D TIN LEAD ALLOY.
3. OPTIONAL GOLD FLASH .99999 PURE 24 KARAT GOLD UP TO A MAX. OF 8 MICROINCHES OVER THE ELECTROLESS NICKEL FINAL PLATE.

DRAWN BY: E.T.W. 09-16-02	MATERIAL: SEE ABOVE	TOLERANCING PER ANSI Y14.5 .X ± .005 .XXX ± .005 .XX ± .005 ANG ± 5° UNLESS OTHERWISE SPECIFIED		<p>6700 W. 47th TERR. MISSION, KS. 66203 TEL: 913-432-2487 FAX: 913-432-0570</p>	
CHECKED BY: E.T.W. 09-16-02	APP. SPECS	SUPERSEDES	NEXT ASSY CW-185		PART NUMBER: CW-185- (SEE TABLE)
APPROVED BY:	TITLE: HC-43/U			SCALE: 6:1	FINISH: UNLESS OTHERWISE SPECIFIED <input checked="" type="checkbox"/>
				FILE: LA00042A	PAGE 1 of 1