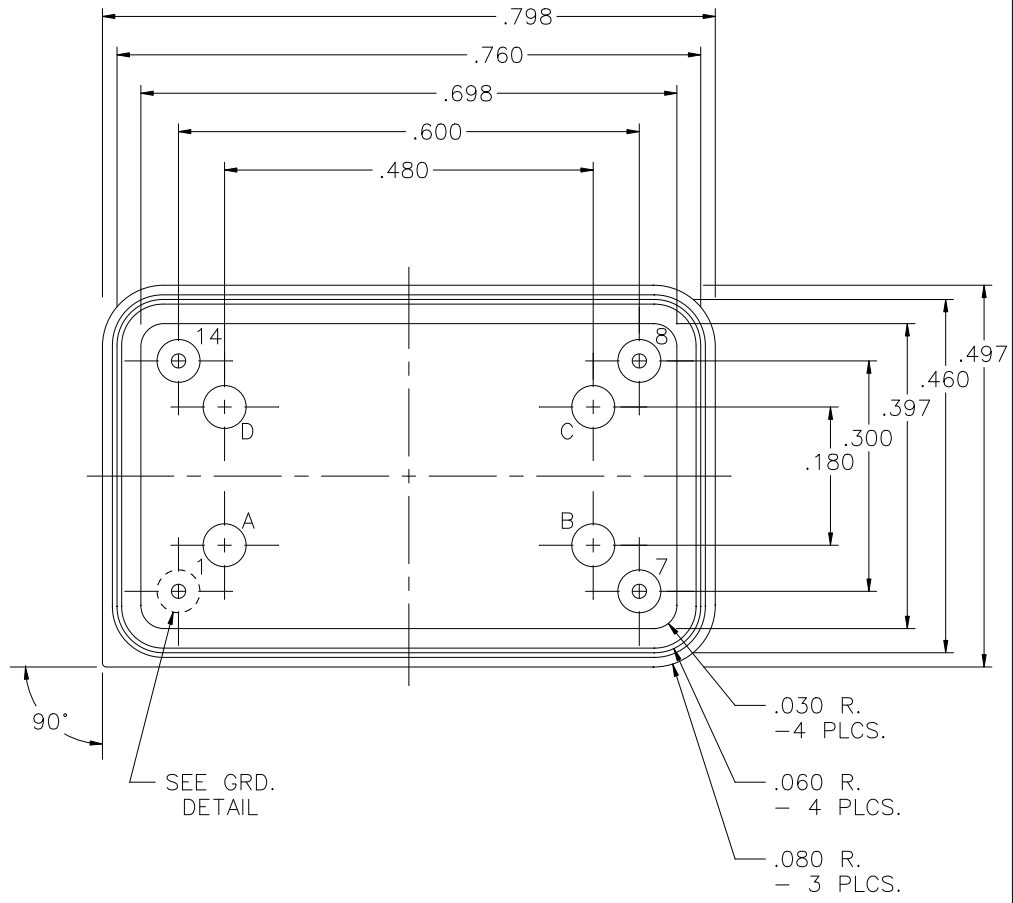
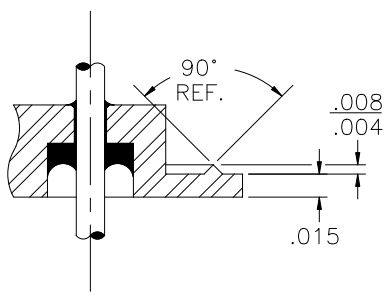


| REV | DESCRIPTION OF REVISION | E.C.N. | BY | APPROVED | DATE |
|-----|-------------------------|--------|----|----------|------|
|-----|-------------------------|--------|----|----------|------|



PIN 1 GRD. DETAIL
SCALE: 8:1



NOTE:

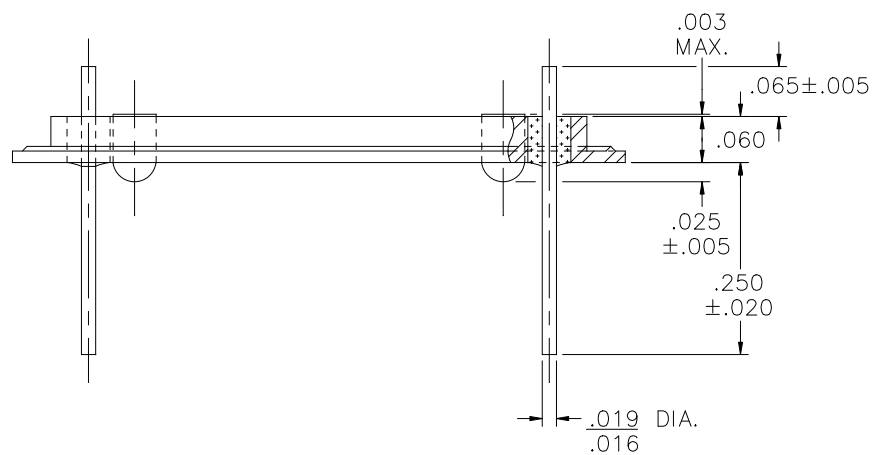
1. L.T.I./K.C. RETAINS THE OPTION TO GLASS IN UN-USED HOLES.


MATERIAL:

EYELET - 1010 C.R.S. OR EQUAL.
GLASS - 7052 OR EQUAL.
LEADS - ASTM F-15 ALLOY, KOVAR.
BRAZE - BT VTG AG. CU. EUTECTIC.

PLATING:

1. OPTION: RoHS COMPLIANT ELECTROLESS NICKEL PLATE OF 100 MICROINCHES MINIMUM FINAL PLATE.
2. OPTION: RoHS COMPLIANT ELECTROLESS NICKEL PLATE OF 100 MICROINCHES MINIMUM FOLLOWED BY A RoHS COMPLIANT LEAD FREE SOLDER COAT, ON LEADS ONLY.
3. OPTION: RoHS COMPLIANT ELECTROLESS NICKEL PLATE OF 100 MICROINCHES MINIMUM FOLLOWED BY A GOLD FLASH OF .99999 PURE 24 KARAT GOLD UP TO A MAX. OF 8 MICROINCHES.



| | | | | | | | |
|---------------------------------|--|------------------------|-----------|--|---------------------------------------|---|-----------------------------------|
| DRAWN BY: E.T.W. 03-15-11 | | MATERIAL: SEE ABOVE | | TOLERANCING PER ANSI Y14.5 .X ±.005 .XXX ±.005 .XX ±.005 ANG ±5° UNLESS OTHERWISE SPECIFIED | |  6700 W. 47th TERR. MISSION, KS. 66203 TEL: 913-432-2487 FAX: 913-432-0570 | |
| CHECKED BY: | APP. SPECS | SUPERSEDES | NEXT ASSY | SCALE: 4:1 | FINISH: UNLESS OTHERWISE SPECIFIED | | PART NUMBER: RR-498798-NX RoHS |
| APPROVED BY: | TITLE: .498x.798 D.I.P. 4 PIN, P1G, 4 S.O. .025 TALL .180x.480 GRID, .065 PH. .250 LL. | | | FILE: | UB00193B | PAGE | 1 of 1 |