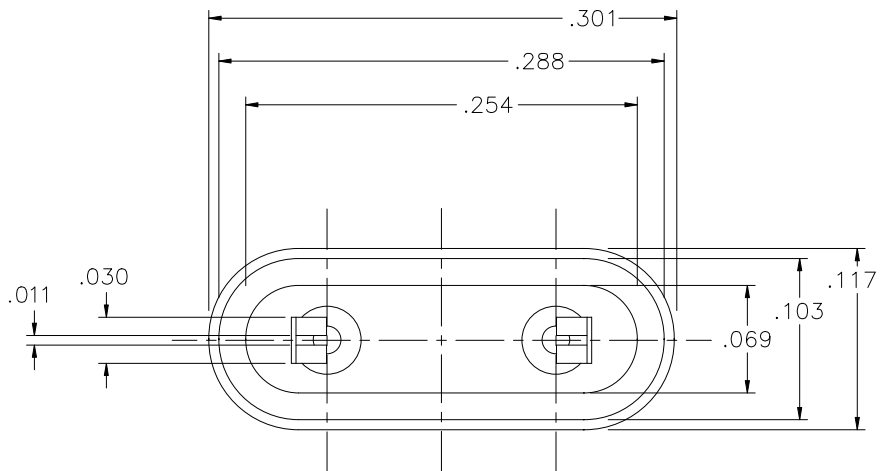
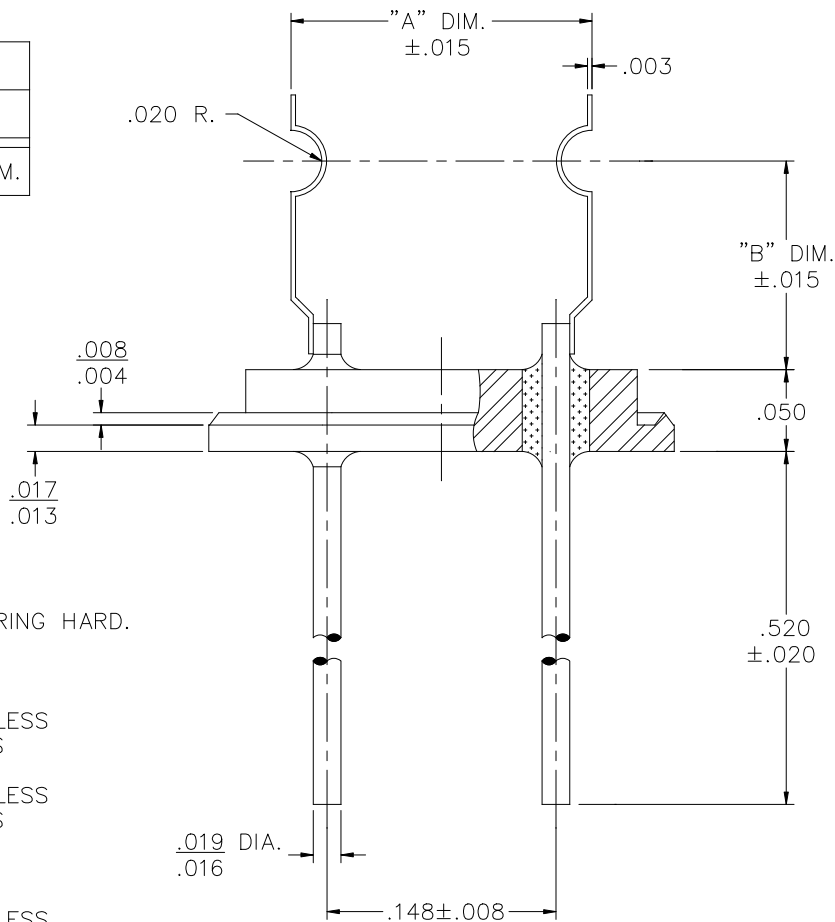


REV	DESCRIPTION OF REVISION	E.C.N.	BY	APPROVED	DATE
-----	-------------------------	--------	----	----------	------



HM017-6 B.197 RoHS	.197	.135
HM017-1 B.216 RoHS	.216	.135
DASH	"A" DIM.	"B" DIM.




**MATERIAL:**

EYELET- 1010 C.R.S. OR EQUAL.  
 GLASS - 9013 OR EQUAL.  
 LEADS - ASTM F-30, 52 ALLOY.  
 MOUNT- 301 STAINLESS STEEL, SPRING HARD.

**PLATING:**

1. OPTION: RoHS COMPLIANT ELECTROLESS NICKEL PLATE OF 100 MICROINCHES MINIMUM FINAL PLATE.
2. OPTION: RoHS COMPLIANT ELECTROLESS NICKEL PLATE OF 100 MICROINCHES MINIMUM FOLLOWED BY A RoHS COMPLIANT LEAD FREE SOLDER COAT, ON LEADS ONLY.
3. OPTION: RoHS COMPLIANT ELECTROLESS NICKEL PLATE OF 100 MICROINCHES MINIMUM FOLLOWED BY A GOLD FLASH OF .99999 PURE 24 KARAT GOLD UP TO A MAX. OF 8 MICROINCHES.

DRAWN BY: E.T.W. 12-02-09	MATERIAL: SEE ABOVE	TOLERANCING PER ANSI Y14.5 .X ±.005 .XXX ±.005 .XX ±.005 ANG ±5° UNLESS OTHERWISE SPECIFIED		 6700 W. 47th TERR. MISSION, KS. 66203 TEL: 913-432-2487 FAX: 913-432-0570	
CHECKED BY:	APP. SPECS	SUPERSEDES	NEXT ASSY		PART NUMBER: RR-45-
APPROVED BY:	TITLE: HC-45/U RESISTANCE WELD TYPE W/ HOOK MOUNT	SCALE: N.T.S.		FINISH: UNLESS OTHERWISE SPECIFIED	FILE: VA00120A
				PAGE	1 OF 1