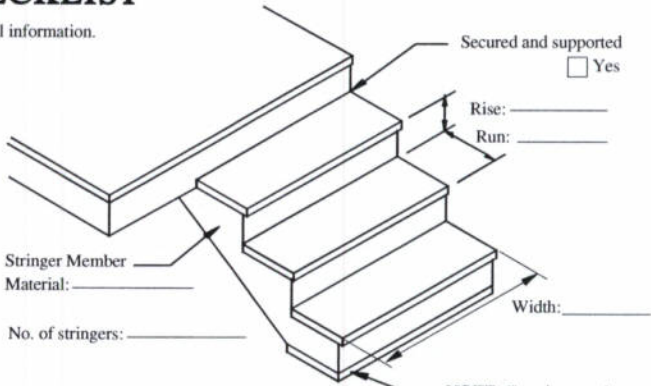


DECK CHECKLIST

Please complete all information.

Property Line

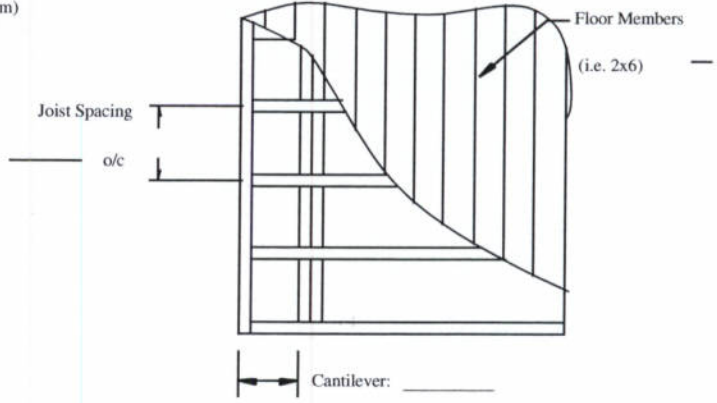
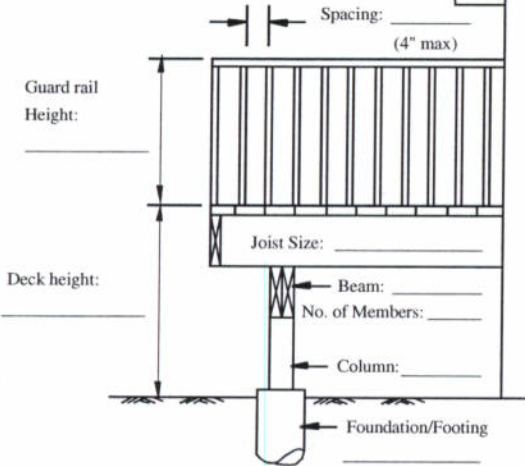
Sketch house footprint and deck location with distances to Property Lines. Show overall dimensions of the deck.



NOTE: Exterior wood steps shall not be in direct contact with the ground unless suitably treated with a wood preservative.

NOTE: Handrail required when more than 3 risers.

NOTE: Guard rail required when deck height is > 24" (600 mm) above finished grade.



Owner's Name: _____

Street Address: _____