

HECO COOKSTOVE OWNER'S MANUAL

2000 SERIES



BEFORE YOU INSTALL OR OPERATE A HECO COOKSTOVE YOU MUST READ ALL INSTRUCTIONS CAREFULLY & INSTALL SMOKE & CARBON MONOXIDE DETECTORS



INDEX

| | |
|---------------------------------------|-------------|
| INTRODUCTION & INDEX | Page 2 |
| SAFETY INSTRUCTIONS | Page 3 |
| OPERATIONAL & WORK PRACTICE STANDARDS | Page 4,5 |
| COOKSTOVE LOCATION | Page 6,7 |
| CHIMNEY REQUIREMENTS | Page 8 |
| OPERATION CONTROLS | Page 9 |
| BAKING & COOKING CONTROLS | Page 10 |
| DOMESTIC WATER OPTIONS | Page 11 |
| EXHAUST CLEANOUT | Page 12 |
| 2000 PARTS LIST | Page 13 |
| 2000 FIREBRICK LAYOUT | Page 14 |
| TROUBLESHOOTING | Page 15, 16 |
| WARRANTY | Page 17 |
| CONTACT INFO | Page 18 |

SAFETY INSTRUCTIONS

1. Read all instructions before installing or operating any Heco Cookstove.
2. You must install both smoke and carbon monoxide detectors before installing or operating your cookstove.
3. Check your local codes; this installation must meet their guidelines.
4. Do not open bottom ash door to increase draft; the ash door is designed for emptying ashes only.
5. Never leave Heco Cookstove doors open when the cookstove is unattended.
6. Do not hook cookstove up to an aluminum Type B gas vent. Use a code approved Class A chimney that has a 6" diameter (min) to 8" diameter (max), and is a minimum of 20' high.
7. Before you ignite your cookstove, be sure to inspect the chimney for any cracking or leaking liners, as this will affect the draft.
8. Clean the chimney before installing your cookstove. If creosote is attached to the liner, you will run the risk of a chimney fire.
9. Never leave children unsupervised while in the same room as the cookstove. To avoid injury, provide a sturdy barrier to keep children and pets a safe distance from the cookstove.
10. Keep cookstove area clear of all combustible materials, gasoline, and other flammable vapors and liquids.
11. Use the required floor protection shown on the safety listing located on the back of the cookstove.
12. Ensure the clearance to combustible walls and floors meet the requirements listed on page 7 of this manual.
13. Do not allow anyone who is unfamiliar with the cookstove to operate it.
14. Spend time becoming acquainted with the different settings on your cookstove and how each will affect its burning patterns. It is impossible to state exactly how each setting will affect your cookstove.
15. Be extremely careful when removing the ash pan from the cookstove. It may be extremely hot!
16. Make sure your stove pipe has at least 3 screws per joint.
17. Do not install this cookstove in a mobile home or trailer.
18. Do not use a manual, barometric or automatic damper when burning wood.

OPERATION & WORK PRACTICE STANDARDS

1. When burning wood, burn only dry, seasoned cord-wood, with 20% moisture content or less. Bring wood to room temperature before burning.
2. Keep wood covered in a wood shed or under a tarp.
3. Right after delivery: stack cord-wood under cover.
4. Split cord wood before drying.
5. Do not burn green wood; it needs to have no more than 20% moisture.
6. All firewood must be seasoned at least 1 year.
7. Check wood moisture at least once a week.
8. Keep a 2" to 3" ash layer on top of the grates when burning wood.
9. The cookstove is designed to burn air-dried wood at a predetermined firing rate. Over-firing occurs when the ash door is left open during operation or a highly volatile fuel (i.e. large amounts of small kindling) is used. The surface of your cookstove should not exceed 800 degrees. If the surface does exceed 800 degrees, the warranty on the stove will be void.
10. Open firebox door slowly to avoid a "flashback".
11. When you load wood into the cookstove, fully open the draft until the new wood ignites and then set to normal burn; this will pre-heat the wood and the secondary re-burn will work more efficiently.
12. With new steel there is a small amount of oil and/or dirt on the metal so you may smell an odor. This is normal during the first operation. You may want to assemble the cookstove outside and build a small fire in it to "BURN OFF" this dirt and oil before installing the unit in your home.
13. Be extremely careful when removing the ash pan from the cookstove. It can get very hot!
14. Check the fit on the firebox door; It must fit tightly. If it does not, check for deterioration or wear of the ceramic rope seal. Replace defective seals.
15. Inspect and clean your chimney and stove pipe regularly.
16. In the event of a chimney fire, shut all cookstove draft controls, alert everyone in the house, and call your fire department immediately. If the flue is still burning vigorously, throw baking soda into the firebox or discharge a fire extinguisher into the firebox. After the chimney fire is over, have a certified chimney sweep completely inspect your system for damage before further use.
17. Slow fires: it is not recommended to burn the Heco Cookstove more than necessary early in the fall and late in the spring, as you cannot keep the fire box hot enough to burn gasses (without overheating your home). Slow fires can cause excessive creosote buildup in the firebox, stove pipe and chimney.
18. Equip your home with fire extinguishers, carbon monoxide detectors and smoke detectors.
19. Do not burn garbage, gasoline, or any other flammable liquids in your cookstove.
20. This is a wood burning cookstove and should not be altered in any way. Altering the stove from the original design will void the warranty.

OPERATION & WORK PRACTICE STANDARDS

Testing Cookstove Before Lighting

To test your draft, place a piece of newspaper inside the cookstove fire box and light it. Pay close attention to the direction of fire's flame and smoke. If the smoke is drawn up into the stove exhaust, your draft is working properly. If the smoke spills out the door, you do not have proper draft.

Starting a Wood Fire

Set oven bypass control to cooking mode. Fully open the Bimetal Regulator and Airwash Controls. Place crumpled paper and kindling on the bottom grate inside the fire box and ignite with a match or lighter. Use a small pile of kindling to get the fire started, adding larger pieces of wood to build up the heat of the fire. Allow ash to build up on top of the grates. Keep approximately 2" to 3" of ash on grates at all times. The airwash vents will work as the fire's secondary air. Adjust the Airwash Control as needed to burn a fire that meets your needs.

Creosote Formation & Removal

When wood is burned slowly, it can produce tar or other organic vapors, which, when combined with expelled moisture, will form creosote. The creosote vapors condense in the relatively cool chimney flue of a slow burning fire. As a result, creosote residue accumulates on the flue lining. When ignited, this creosote makes an extremely hot fire.

The chimney connector and the chimney itself should be inspected at least twice a month, during the heating season, to determine if creosote buildup has occurred. If creosote has accumulated, the creosote should be removed immediately to reduce the risk of a chimney fire.

NOTE: the key for reducing creosote buildup is to burn a hot fire and use seasoned firewood. Firewood should be seasoned for one year with a moisture rating of no more than 20%. The wood should be cut, split and stacked under open shelter to dry. Stack the firewood indoors one day prior to burning it. Shutting primary air supply to the fire box will cause the fire to smolder, which will result in creosote accumulation.

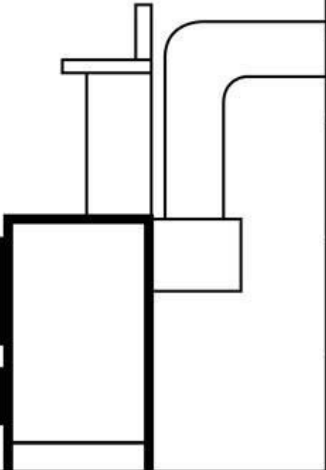
COOKSTOVE LOCATION

1. The cookstove must be located on a non-combustible floor. If you have a combustible floor, you are required to use a non-combustible floor board (Type 1 Board).
2. It is recommended that the cookstove be centrally located.
3. The most important consideration in installing your cookstove is adequate clearance between the stove and any combustible surface. A cookstove that is placed too close in proximity to a wall or furniture may cause a fire.
4. The hearth must extend out at least 15" from the front edge of the cookstove, 8" from the rear of the cookstove, and 8" from the left side of the cookstove. It also must run underneath and extend 2" beyond either side of the stove pipe, if the pipe is elbowed towards a wall.
5. The cookstove must have its own chimney flue. Do not connect this unit to a chimney flue serving other appliances.
6. Connection of the cookstove to the chimney should be made as direct as possible (6 feet maximum horizontal) and no more than two bends should be used, as needed. Any reductions in the flue pipe should be no less than 6" in diameter. The pipe connecting the cookstove to the chimney should be at least 24 gauge. Thicker gauges are available, and will resist corrosion longer and need fewer replacements. Slope the flue pipe towards the cookstove 1/4" per foot of horizontal run, this will help any condensation that forms in the pipe to be carried back down into the cookstove. The cookstove connection pipe should be installed so that the upper pipe section fits inside the lower connection pipe section. This way any condensation building up inside the pipe, will stay inside the pipe as it flows down through the surface and back into the cookstove. Horizontal pipe runs should have the pipe seams turned up. Particular attention should be paid to the point where the flue passes through a wall or ceiling; This penetration should always be made with chimney thimble, insulated pipe, and proper accessories based on the manufacturer's instructions. Chimney connectors must not pass through the ceiling, through concealed spaces, or enter the chimney in the attic, unless proper clearance is attained or the insulated pipe is used based on the manufacturer's instructions.

REMEMBER: all pipe sections should be connected by at least 3 sheet-metal screws per joint. A fire in the stack may cause vibration, and poorly fastened piping may come apart, causing an extreme fire and smoke hazard. Do not extend the stove pipe past the inside edge of the flue liner. If you have a manufactured stainless steel chimney, attach the stove pipe to a stove pipe adapter. Whenever the pipe connects to a masonry chimney, the flue to the chimney should be larger than the stove pipe, ensuring that you can insert the pipe out to the inside edge of the chimney (not past). Be sure to seal as tight as possible and cover with a stove pipe collar.

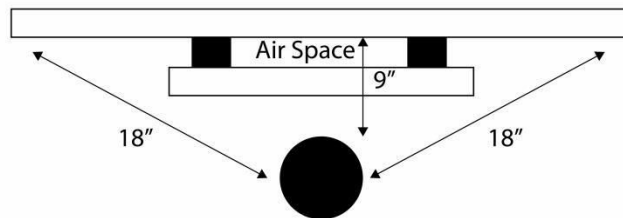
CAUTION: do not store combustible or flammable materials near cookstove.

COOKSTOVE LOCATION

| Caution: Do not store combustible or flammable material near cookstove | | |
|---|--|------|
|  | Specifications | 2000 |
| | Sides | 18" |
| | Back | 18" |
| | Front | 48" |
| | Clearance from flue to combustible with single wall stove pipe | 18" |
| | Clearance from flue to combustible with double wall stove pipe | 6" |
| | Corner clearance from cookstove to combustible | 9" |

This cookstove must be installed with, and maintain, the clearances shown in the illustration above.

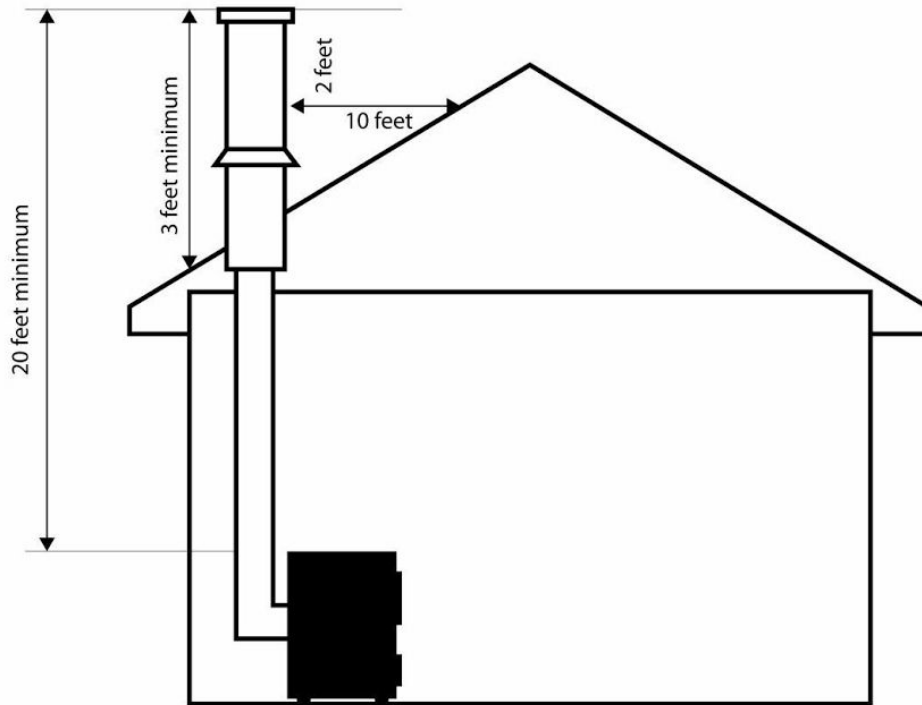
1. Set the cookstove on a solid, non-combustible floor.
2. Use a non-combustible floor board (Type 1 Board).
3. The hearth material must extend out at least 15" from the front edge, 8" from either side and 8" behind the cookstove. It also must run underneath and extend 2" beyond either side of the Exhaust Box and stove pipe, if the pipe is elbowed towards a wall.



According to NFPA Standards, single-walled stove pipes can be within 9 inches of a combustible, provided an approved fire retardant material is utilized. It must also be covered with 28 gauge sheet metal and spaced out 1" on non-combustible spacers.

CHIMNEY REQUIREMENTS

The minimum height of a chimney system for the Heco Cookstove is 20 feet. The chimney must extend above the roof of a house at a minimum of 3 feet at any exit points. On a pitched roof, installation of the chimney must be 2 feet higher than anything within a 10 foot radius of the chimney. It is important to have a chimney draft of 0.06 water column. It is required to abide by the manufacturer's instructions on Class A chimneys, as well as local building codes. It is not recommended to build a chimney on a building addition that is lower than the original part of the house. Do not extend the stovepipe past the inside of a masonry chimney liner and never connect this unit to a chimney serving another appliance.

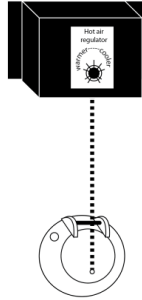


1. The cookstove must have it's own chimney flue. One cookstove per flue.
2. The chimney must be a masonry (recommending Chimtek), or a stainless steel insulated chimney system.
3. The masonry chimney should not have any missing mortar or loose bricks.
4. No mortar or chimney parts should be blocking the chimney flue.
5. There should be a two inch clearance between any chimney; except a Chimtek Masonry Chimney System, which has 0 clearance.
6. The chimney should extend at least 2 feet above the highest point of the house, or 2 feet above the point at which the chimney is 10 feet from the roof.

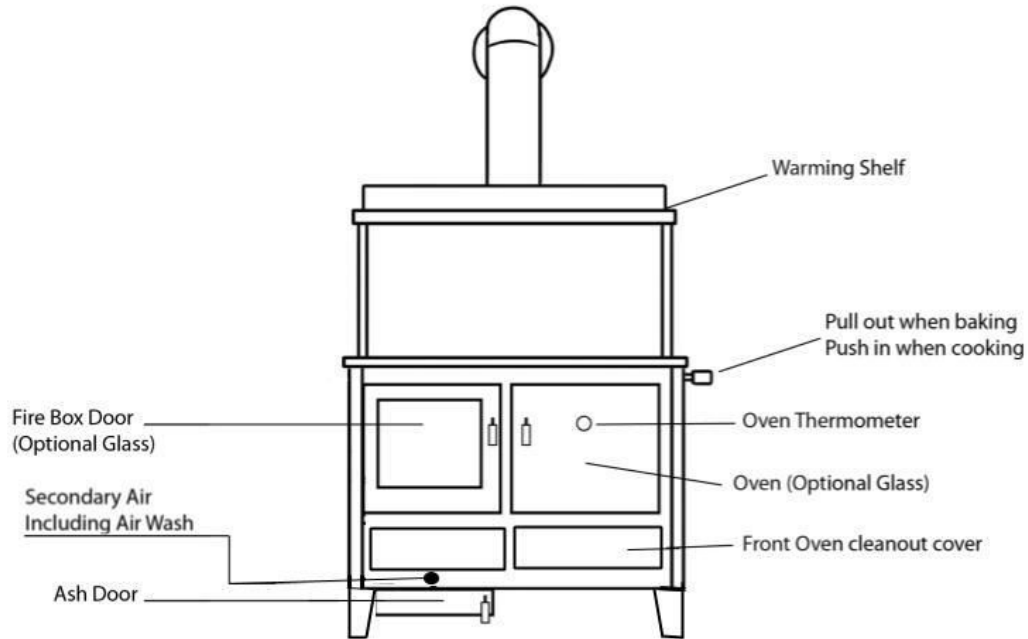
OPERATION CONTROLS

Primary Air Control

This Bimetal Regulator is used to adjust the Primary Air. Primary Air is the main draft that enters into the stove, under the grates in the fire box, to add oxygen to the fire. This control is used less when burning wood, as wood needs 80% Secondary Air. It is not uncommon to use only Secondary Air when burning wood.



Outer Parts of the Stove



The Secondary Air Control

This is below the fire box, on the front left side of the stove and feeds the Secondary Air Reburn vents located at the top left side of the fire box, as well as the air wash located at the front of the fire box. The air wash works as the secondary air and keeps your fire door glass clean when open. Slide the secondary air handle to high to provide more air flow in the fire box and to keep your fire door glass clean. Slide the secondary air handle to low to decrease the air flow in the fire box.

Damper Control

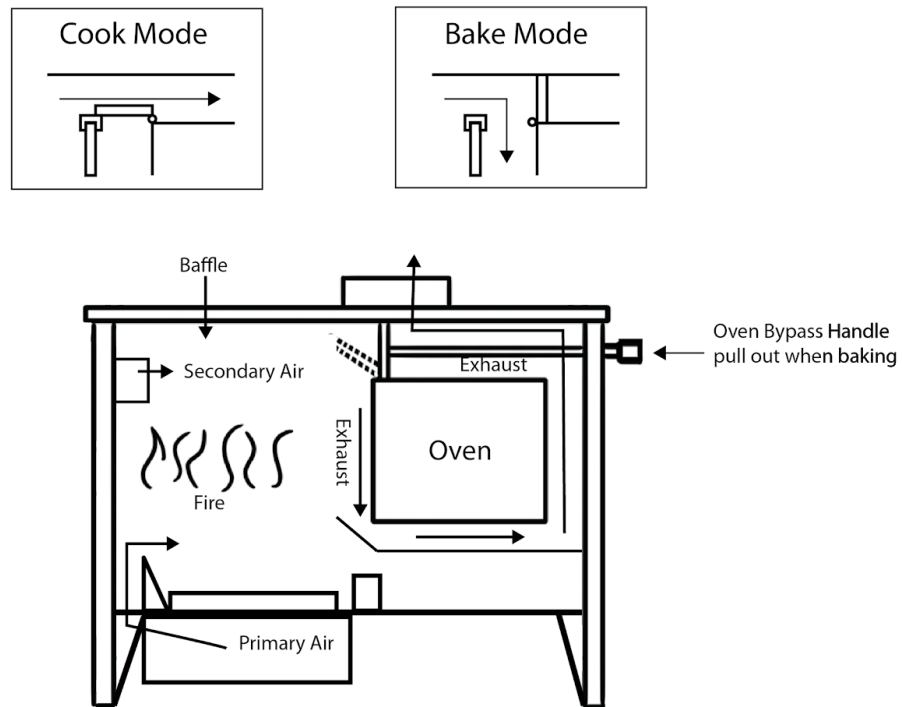
Located on the back of the stove is the Damper Control. This control opens and closes a vent into the exhaust box, from the fire box to assist with starting a fire in the fire box. This vent should be opened when cold starting the stove, and then closed once strong fire is burning in the fire box.

BAKING & COOKING CONTROLS

The Heco Cookstove is designed for both oven baking and stovetop cooking. The Oven Bypass Control is used to set the stove in either Cook Mode or Bake Mode. This control is changed by using the handle located on the right side of the cookstove (see below). You can cook and bake at the same time while in Bake Mode, but cannot do this while in Cook Mode. Do not set the cookstove in Bake Mode if you are not baking, this will decrease the lifetime of your cookstove's oven box and require more frequent creosote clean out. The diagram below shows the two settings for the Oven Bypass Control; pull the handle (on the right side of the stove) out to set the cookstove in Bake Mode and push the handle in for Cook Mode.

CAUTION: Keep fire box door closed at all times while in Bake Mode. Opening the fire box door while in Bake Mode will cause smoke spillage!

Oven Bypass



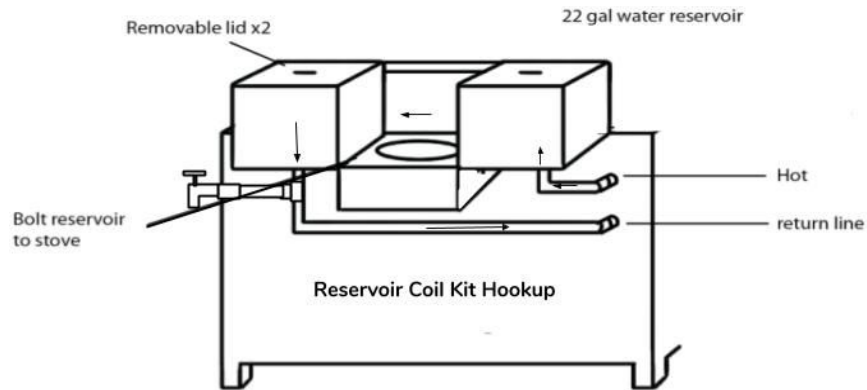
DOMESTIC WATER OPTIONS

22 Gallon Reservoir

The 22 Gallon Water Reservoir is manually filled and not a pressurized system. The reservoir tank fits on the back of the cookstove and is fastened with a bolt. The water in the reservoir will naturally be heated through contact with the stove top. The water is dispensed through a faucet on the side. Keep the reservoir full of water at all times to avoid causing it to boil. Never allow the reservoir to sit completely empty as it will void the warranty. If you would like to use your cookstove to supply all of your hot water needs, see the reservoir coil kit option below. This coil kit heats the water faster, providing a larger volume of hot water for you to use.

Reservoir Coil Kit Option

This Reservoir Coil Kit allows your 22 Gallon Water Reservoir to heat water faster and keep a consistent water temperature. This is only recommended for use with the 22 Gallon Water Reservoir, as the 12" coil used in the Coil Kit does not produce enough heat for an external tank. You will need this coil kit if you use the hot water in your 22 Gallon Water Reservoir frequently throughout the day.

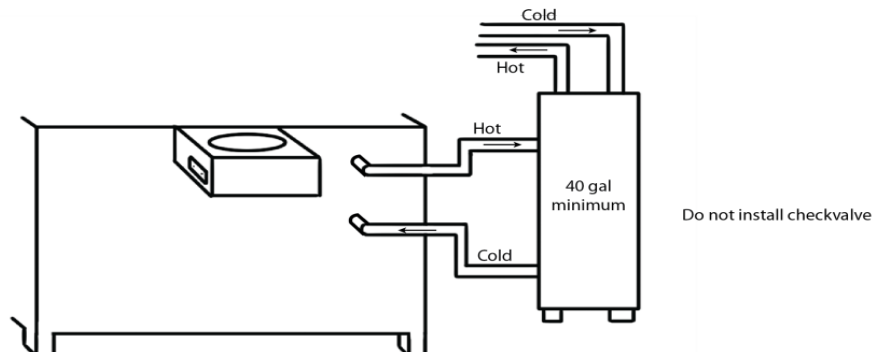


External Tank Coil Option - 3/4" X 23" Coil (Part# HC6-34C)

This coil is designed to be used with an external tank that is separate from the cookstove. This tank should not be an existing water heater, but should be a holding tank that is separate from the existing gas or electric water heater that you currently have. This tank must be a minimum of 40 gallons, and **must have a 150# relief valve**. Do not install a check valve in your cold water supply. The installation of this coil should be done by a professionally trained plumber.

Review manual included with External Tank Coil for installation instructions.

Note: All Heco Cookstove models are built with the option of adding this External Tank Coil, allowing you to connect to an independent holding tank.



EXHAUST CLEANOUT

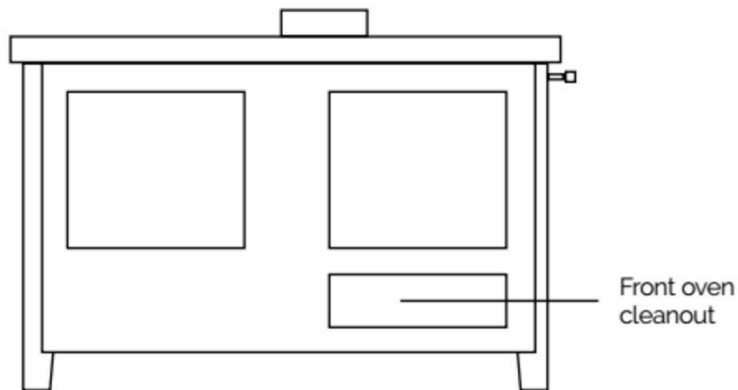
Above Bake Oven

When facing the front, use the lid lifter (included with the stove) to lift the round lid on the right side of the stove top. Use your scraper to clean above the oven and between the side of the bake oven and the cookstove frame. Cleaning the top and side should be the first step in the cleanout process. All fly ash and debris can be pushed to the bottom where it can be cleaned out underneath the bake oven.

Underneath Bake Oven

Below the oven, on the front right side of the stove, is a clean-out door. This door is behind a porcelain panel. To remove the porcelain panel, lift up and pull out. Inside you will find a plate fastened by two wing nuts, remove the wing nuts and plate. Use the small scraper (provided with the stove) to pull out any fly ash or debris that has accumulated (see drawing below).

NOTE: Remember to close all plates after cleaning, if left open, they can affect the draft and result in smoke spillage.



2000 Parts List

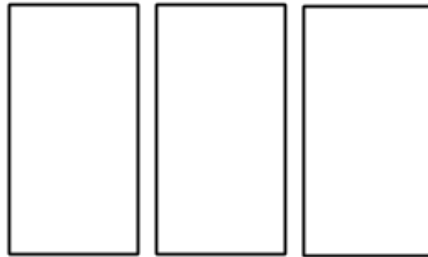
| Description | Part # |
|----------------------------------|--------------|
| Glass Fire Door | 2000-5-1 |
| Solid Fire Door | 2000-5 |
| Ash Door with Handle | 2000-20 |
| Glass Oven Door | 2000-5-3 |
| Solid Oven Door | 2000-5.2 |
| Airwash Shuttle | 2000-18 |
| Left Shelf Side Panel | 2000-12L |
| Right Shelf Side Panel | 2000-12R |
| Shelf Top | 2000-32 |
| Front Top Grid | 2000-14 |
| Shelf Back | 2000-28 |
| Oven Top Insert | 2000-38 |
| Removable Bypass Baffle | 2000-BB |
| Front Left Filler Panel | 2000-16 |
| Front Right Cleanout Cover | 2000-21 |
| Center Cover Panel | 2000-13 |
| Left Firebrick Angle | 2000-40 |
| Rear Standard Heat Shield | 2000-29 |
| Ash Pan | 2000-44 |
| Oven Glass Holder | 2000-34 |
| Oven Door Heat Shield (No Glass) | 2000-33 |
| Oven Insert | 2000-39 |
| Front Oven Cleanout Door | 2000-55 |
| Fire Door/Ashdoor Handle | 420-57 |
| Shelf Backsplash | 2000-36 |
| Fire Door Glass Holder | 2000-26 |
| Coil Cover Plate | 420-64 |
| Fire Door Glass 9 ½" x 11 ¾" | 2000-110 |
| Fire Door Glass 12 ½" x 17 ¾" | 2000-111 |
| Firedoor/Oven Door Gasket | |
| Alum Draft Intake | ALUM-DA |
| Hot Air Regulator with 23" Chain | HOT-A-REG-23 |

| Description | Part# |
|--|------------|
| Oven Thermometer | 50-550 |
| Wood door Handle | Handle B |
| Airwash/Oven Bypass Wood Handle | Handle-D |
| Oven Stainless Steel Shelf | OR-17 5 18 |
| Oven Bypass Rod w/ Handle & Cotter Pin | 420-122 |
| Oven Bottom Insert | 2000-91 |
| Oven Back Insert | 2000-92 |

2000 Firebrick Layout

Firebrick Panels for Heco 2000 Cookstove

Back Layout



Left Side Layout



Right Side Layout



Left Side: (4) $1\frac{1}{4}'' \times 4\frac{1}{2}'' \times 9''$

Right Side: (2) $2\frac{1}{2}'' \times 4\frac{1}{2}'' \times 9''$
(1) $2\frac{1}{2}'' \times 4\frac{1}{2}'' \times 2''$

Back Bottom: (3) $1\frac{1}{4}'' \times 4\frac{1}{2}'' \times 9''$

TROUBLESHOOTING

| Symptom | Problem | Cause | Solution |
|--|--|--|--|
| Difficulty lighting or maintaining fire, excessive smoking or back-puffing | -Inadequate draft -Wet wood | -Cold chimney -Closing oven bypass before chimney is heated -Obstruction inside chimney -Chimney is too short -Oversized chimney liner: 2000 Stove is designed for 7" -Negative pressure in house (caused by furnace, exhaust fans, dryer etc.) -Too much ash in firebox | -Only operate 1 stove per chimney -Wood must have 20% or less moisture -Keep damper open until fire is established -Inspect & clean chimney and stove pipe -Remove obstruction -Extend chimney -Install liner (flue liner should have the same diameter as the flue collar of the stove) -Turn off cookstove and other exhaust factors when stove is burning -Crack a window to allow air into the room -Increase chimney height to increase draft -When burning wood, ashes should not cover louver vents |
| Smoking or back-puffing when cook plate or fire door is open | -Temporarily inadequate draft to pull smoke up chimney | -Oven damper is closed -Cold chimney -High winds -Poor quality wood | -Open damper prior to opening the door -Allow more time to warm up; Wait until the wind dies down and install high wind cap -Check stove for cracks -Check all cleanout doors to ensure they're closed, including chimney cleanout. |
| Fire is difficult to control | -Excessive draft | -Too much draw on chimney -Door/glass gaskets loose or deteriorated -Ash pan door is not closed -Excess air coming into stove | -Install stovepipe damper in stove pipe -Adjust door hinges to tighten the door seal -Replace the gasket if deteriorated |
| Wood is hard to light, just sizzles and steams | -Wet/Damp wood | -Inadequate seasoning - Wood should be split - Moisture getting into stored wood | -Allow wood to dry under cover for one year after splitting -Keep split wood covered (sides open) -Install liner to match stove flue size -Close oven damper |
| Oven won't heat adequately | -Inadequate draft -Low firebox temp -Heat not reaching oven | -Oversized chimney or liner too large -Oven damper could be open -Wet wood | -Allow wood to dry under cover for a minimum of one year after splitting -Keep split wood covered (sides open) -Install liner to match stove flue size -Close oven damper -Use 2"-4" split firewood to increase btu's |
| Inaccurate temperature readings | -Door thermometer not accurate | -Door thermometer does not always provide 100% accurate readings | -Use interior oven thermometer |

TROUBLESHOOTING

| | | | |
|--|---------------------------------|---|---|
| Food is cooking unevenly | -Inconsistent oven temperatures | -Fire not stabilized -Oven bypass is open, sending heat to the top of the oven and out the chimney -Location of oven rack -Dirty stove | -Allow fire to stabilize (4-5" of red hot coals) -Recharge fuel as needed -Adjust oven racks -Rotate food for more even results -Cleanout around bakeoven using the recommended cleanout access doors |
| Slow Cooking | -Cooking surface not hot enough | -Fire not hot enough -Oven damper closed -Inadequate contact between cooking vessel and cooktop -Wet wood -Chunks of wood are too large to create flame | -Add fuel and/or increase draft -Move cooking vessel to the left side of cooktop -Use flat bottomed cooking vessels -Use wood pieces split to 2"-4" and below 20% moisture content |
| Stove rusting | -Wet or old conditions | -Condensation from temperature fluctuations -High humidity areas -Unheated structure | -Prep stove for storage with food based grease -Run dehumidifier -Run heat on low when cookstove is not in use |
| Campfire Smell | -Negative pressure | -Reverse flow in chimney -Moisture & creosote combination | -Remove negative pressure in home by cracking a window or adding a fresh air inlet -Only operate 1 stove per chimney -Clean stove -Check all cleanout doors to ensure they're closed, including chimney cleanout |
| Burn Time is not long enough when burning wood | -Burning too much wood | -Wet wood -Soft wood -Wood too dry -Not enough ash buildup -Burning kindling -Burning too hot | -Use seasoned hardwood (split, stacked and under cover for 1 + year) -Allow 4 - 6" of ash buildup on grates -Burn at normal burn -Use larger pieces of firewood, smaller pieces will burn faster and hotter |

Heco Cookstove Limited Lifetime Warranty

COVERAGE. Breeo, LLC warrants to the original purchaser that all Heco products are free from workmanship and material defects during the lifetime of the original purchaser. If a product is defective, Breeo, LLC, at its option, will repair or replace with a new product free of charge, excluding any applicable shipping and handling charges. No warranty is offered on rust, paint or finishes due to being made with material with potential for corrosion. Altering any Breeo product, or using the product in any way other than the intended use, will void this Lifetime Warranty. Ropes, gaskets, paint, porcelain coatings, firebricks, baffles, wood handles, glass, ash pans, and hot water heating components (coils & reservoirs) will not be covered under this warranty. These fall under normal maintenance. Damage due to incorrect installation and failure to comply with local authorities or follow correct protocol is also excluded. No warranty is offered on rust, paint or finishes due to being made with material with potential for corrosion. Damages caused due to missing fire brick in the fire box will not be covered under this warranty.

REPLACEMENT. The customer must arrange to deliver or ship the stove/part to an authorized Heco dealer at their expense and arrange for pickup or delivery of the same after the repairs have been made. If, upon inspection, any damage is found to be the fault of the manufacturer, the repair or replacement will be made. This warranty does not include expenses incurred from travel time or loss of service. This warranty is not transferable and is extended only to, and is solely for the benefit of, the original retail purchaser of the stove. Please keep your dated sales receipt as proof of purchase.

NOTICE. This warranty is void if installation or service is performed by someone other than a qualified installer or service agency, or if installation is not in conformity with installation instructions or local fire and building regulations. All warranty claims must be submitted through the authorized Heco dealer from whom the product was originally purchased.

The stove top should not exceed 800 degrees. All warranty will be void if surfaces reach above 800 degrees. You can purchase a stove top thermometer to aid in monitoring your temperature.

This warranty does not cover damage or product failure caused by accident, misuse, negligence, tampering, overloading, improper attachment, or improper maintenance. Breeo, LLC is held harmless for any injury or death caused by the misuse of this product.

This warranty gives you specific legal rights providing said product is put to its proper designated use.

EXCLUSIONS. THIS WARRANTY IS EXPRESSLY IN LIEU OF ALL OTHER WARRANTIES, EXPRESS OR IMPLIED, INCLUDING THE WARRANTY OF MERCHANTABILITY AND FITNESS FOR A PARTICULAR PURPOSE. NO ORAL AGREEMENT, GUARANTEE, PROMISE, REPRESENTATION OR WARRANTY SHALL BE BINDING. IN NO EVENT WILL BREEO, LLC BE LIABLE FOR ANY SPECIAL, INDIRECT, INCIDENTAL OR CONSEQUENTIAL DAMAGES EVEN IF BREEO, LLC HAS BEEN ADVISED OF THE POSSIBILITY OF SUCH DAMAGES AND EVEN IF BREEO, LLC HAS KNOWLEDGE THAT FAILURE TO PERFORM COULD CAUSE CONSEQUENTIAL ECONOMIC LOSSES. IN ANY EVENT, CUMULATIVE DAMAGES FOR BREACH OF THIS WARRANTY WILL BE LIMITED TO THE AMOUNT ACTUALLY PAID TO BREEO, LLC FOR THE PRODUCT. THIS PARAGRAPH SHALL APPLY TO ALL ACTIONS RELATED TO THE PRODUCT, WHETHER BASED ON TORT, CONTRACT OR OTHER THEORIES. THE PURCHASER ACKNOWLEDGES THAT THIS PARAGRAPH ALLOCATES THE RISK OF PRODUCT FAILURE BETWEEN BREEO, LLC AND THE PURCHASER, AND THAT THIS ALLOCATION IS REFLECTED IN THE PRICE PAID.

Manufactured by:



5002 Lincoln Hwy. East
Kinzers, PA 17535
1-800-413-9848
info@breeollc.com