



Heco HC320W Owner's Manual



Before you install or operate a DS Stove, You Must:

- Read all instructions carefully
- Install smoke and carbon monoxide detectors

Failure to follow these instructions could result in property damage, bodily injury or even death."



**MADE IN USA BY
D.S. MACHINE LLC**
238-B Old Leacock Road
Gordonville, PA 17529
717-768-3853

Consult the Authority having jurisdiction such as municipal building department, fire department, fire prevention, ect. to determine the need to obtain a permit.

Contact local building or fire officials about restrictions and installation inspection requirements in your area.

**INSTALLER: Leave this manual with the appliance.
CONSUMER: Retain this manual for future reference.**

Index

Safety & Installation Instructions	Page 2	Fire Door Installation Instructions	Page 12
Operational & Work Practice Standards	Page 3 & 4	Oven Door Installation Instructions	Page 13
Cookstove Location	Page 5 & 6	Two Panel Top Installation Instructions	Page 14
Chimney Requirements	Page 7	Fire Brick Layout	Page 14
Zero Clearance Installation Instructions	Page 8, 9 & 10	Reburn Baffle Removal Instructions	Page 15
Operation Controls	Page 10	Oven Bypass Damper Replacement	Page 15
Maintenance / Soot & Creosote Removal	Page 11	Heco HC320W Parts List	Page 16
Top Border Installation	Page 11	Trouble Shooting	Page 17 & 18
Adjustable Stove Leg Option	Page 11	Limited Lifetime Warranty	Page 19

All D.S. Stoves Must Be Installed By A NFI Certified Technician.

SAFETY & INSTALLATION INSTRUCTIONS

1. Read all instructions before installing or operating any Heco Cookstove. Save these Instructions for future reference.
2. You must install both smoke and carbon monoxide detectors before installing or operating your cookstove.
3. The installation must conform in accordance with CAN/CSA B365, Installation Code for Solid Fuel Burning Appliances and Equipment and applicable building codes to the requirements of the authority having jurisdiction. Contact your local building or fire officials about restrictions and installation inspections in your area. When not using Floor Mat Part # 320320W-FM the non-combustible floor protector must have an R-value as specified in UL 1618 to ensure adequate thermal resistance.
4. Do not open Fire Door to increase draft; the Fire Door is designed for loading wood and emptying ashes only.
5. Never leave Heco Cookstove doors open when the cookstove is unattended.
6. Do not hook cookstove up to an aluminum Type B gas vent. Use a code approved Class A chimney that has a 6" diameter (min) to 8" diameter (max), and is a minimum of 20' high.
7. On all new installs connecting to an existing chimney, a level 2 chimney inspection must be done by a Certified Chimney Sweep.
8. Clean the chimney before installing your cookstove. If creosote is attached to the liner, you will run the risk of a chimney fire.
9. Never leave children unsupervised while in the same room as the cookstove. To avoid injury, provide a sturdy barrier to keep children and pets a safe distance from the cookstove.
10. Keep cookstove area clear of all combustible materials, gasoline, and other flammable vapors and liquids.
11. Use the required floor protection shown on the safety label located on the back of the cookstove.
12. Ensure the clearance to combustible walls and floors meet the requirements listed on page 6 of this manual.
13. Do not allow anyone who is unfamiliar with the cookstove to operate it.

DO NOT CONNECT THIS STOVE TO A CHIMNEY FLUE SERVING ANOTHER APPLIANCE

INSTALL ALL VENTING TO THE CLEARANCES REQUIRED BY THE MANUFACTURER.

14. Spend time becoming acquainted with the different settings on your cookstove and how each will affect its burning patterns. It is impossible to state exactly how each setting will affect your cookstove.
15. In the event of a chimney fire, shut all draft controls off. Call your fire department immediately. Alert everyone in the house. If flue is still burning vigorously, throw baking soda or discharge a fire extinguisher into fire box. After the chimney fire is over, have a certified chimney sweep complete a level 2 chimney inspection, before farther use of the chimney.
16. Be extremely careful when removing the ash pan from the cookstove. It may be extremely hot!
17. When replacing the re-burn baffles in the fire box, shut down the stove so the fire stops burning. Once the cookstove has cooled, remove the 2 cooktop panels to provide access to the baffle or you can access the baffle through the fire door. The re-burn baffle is located at the top of the fire box. See page 15. Fig. 27 & 28.
18. Make sure your chimney connector has at least 3 screws per joint.
19. Do not install this cookstove in a mobile home or trailer.
20. Do not use a manual, barometric or automatic damper.
21. Do not connect to or use in conjunction with any air distribution ductwork.
22. Do not use chemicals or fluids to start the fire.
23. Hot while in operation. Keep children, clothing and furniture away. Contact may cause skin burns.

Operation & Work Practice Standards

1. For Use with Solid Wood Fuel Only. Burn only dry, seasoned cord-wood, with 20% moisture content or less. Bring wood to room temperature before burning.
2. Keep wood covered in a wood shed or under a tarp.
3. Right after delivery: stack cord-wood under cover.
4. Split cord wood before drying.
5. Do not burn green wood; it needs to have no more than 20% moisture.
6. All firewood must be seasoned at least 1 year.
7. Check wood moisture at least once a week.
8. The cookstove is designed to burn air-dried wood at a predetermined firing rate. Over-firing occurs when the airwash control is left in the quick fire-up position during operation or a highly volatile fuel (i.e. large amounts of small kindling) is used. The surface of your cookstove should not exceed 800 degrees. If the surface does exceed 800 degrees, the warranty on the stove will be void.
9. Open Fire Door slowly to avoid a “flashback”.
10. When you load wood into the cookstove, fully open the airwash control until the new wood ignites and then set to normal burn; this will pre-heat the wood and the secondary re-burn will work more efficiently.
11. When necessary remove ashes from ash pan, place them in a steel container with a tightly fitting lid and move outdoors immediately. Other waste shall not be placed in this container.
12. With new steel there is a small amount of oil and/or dirt on the metal so you may smell an odor. This is normal during the first operation. You may want to assemble the cookstove outside and build a small fire in it to “BURN OFF” this dirt and oil before installing the unit in your home.

13. Check the fit on the fire door; It must fit tightly. If it does not, check for deterioration or wear of the ceramic rope seal. Replace defective seals.
14. Inspect and clean your chimney and chimney connector regularly.
15. In the event of a chimney fire, shut all cookstove draft controls, alert everyone in the house, and call your fire department immediately. If the flue is still burning vigorously, throw baking soda into the firebox or discharge a fire extinguisher into the firebox. After the chimney fire is over, have a certified chimney sweep completely inspect your chimney system for damage before further use.
16. Slow fires: it is not recommended to burn the Heco Cookstove more than necessary early in the fall and late in the spring, as you cannot keep the fire box hot enough to burn gasses (without overheating your home). Slow fires can cause excessive creosote buildup in the firebox, chimney connector and chimney.
17. Equip your home with fire extinguishers, carbon monoxide detectors and smoke detectors.
18. Do not burn garbage, gasoline, or any other flammable liquids in your cookstove.
19. This is a wood burning cookstove and shall not be altered in any way. Altering the stove from the original design will void the warranty.

Testing Cookstove Draft Before Lighting, put oven bypass in cook mode, place a piece of newspaper inside the cookstove fire box and light it. Pay close attention to the direction of fire's flame and smoke. If the smoke is drawn up into the stove exhaust, your draft is working properly. If the smoke spills out the fire door, you do not have proper draft.

Starting a Wood Fire

Set oven bypass control to cooking mode. Fully open the airwash controls. Place crumpled paper and kindling on the fire grate inside the fire box and ignite with a match or lighter. Use a small pile of kindling to get the fire started, adding larger pieces of wood to build up the heat of the fire. Once your fire is hot adjust airwash control for the desired heat output. Allow ash to build up on top of the grate; this will not choke the fire until the ash bed becomes too deep. The airwash vents will work as the fire's primary air. Adjust the Airwash Control as needed to burn a fire that meets your needs. For a quick fire up for cooking or baking it is advised to open the airwash control completely till fire gets hot then adjust to the current desired setting. Never leave airwash control on complete high when stove is unattended as this could result in over firing the cookstove.

Creosote Formation & Removal

When wood is burned slowly, it can produce tar or other organic vapors, which, when combined with expelled moisture, will form creosote. The creosote vapors condense in the relatively cool chimney flue of a slow burning fire. As a result, creosote residue accumulates on the flue lining. When ignited, this creosote makes an extremely hot fire. The chimney connector and the chimney itself should be inspected at least twice a month, during the heating season, to determine if creosote buildup has occurred. If creosote has accumulated 1/8" (3 mm) or more the creosote must be removed immediately to reduce the risk of a chimney fire.

NOTE: the key for reducing creosote buildup is to burn a hot fire and use seasoned firewood. Firewood should be seasoned for one year with a moisture rating of no more than 20%. The wood should be cut, split and stacked under open shelter to dry. Stack the firewood indoors at least one day prior to burning it. Shutting primary air supply to the fire box will cause the fire to smolder, which will result in creosote accumulation.

All D.S. Stoves Must Be Installed By a NFI Certified Technician.

COOKSTOVE LOCATION

1. The cookstove must be located on a non-combustible floor. If you have a combustible floor, you are required to use a Heco HC320W Floor Mat (Part # 320320W-FM) or a UL Approved Insulated Floor Board. (Type 2)
2. Review the safety label on the cookstove before installation. The most important consideration in installing your cookstove is adequate clearance between the stove and any combustible surface. A cookstove that is placed too close in proximity to a wall or furniture may cause a fire.
3. Four stove legs can be adjusted by removing top border. See top border removal and adjustable stove leg option. See, Page 11 Fig. 17.
4. The Floor Mat (part # 320320W-FM) must extend out at least 16" from the front, 1" from the rear, and 4-7/8" from the right and left side of the cookstove. It also must run underneath and extend 2" beyond either side of the chimney connector if the pipe is elbowed towards a wall.
5. The cookstove must have its own chimney flue. Do not connect this unit to a chimney flue serving other appliances.
6. Ensure proper air intake ventilation is maintained during installation and operation. Methods to maintain ventilation include regular inspection and cleaning of air inlets, ensuring that air pathways are unobstructed and following the clearance guidelines provided.

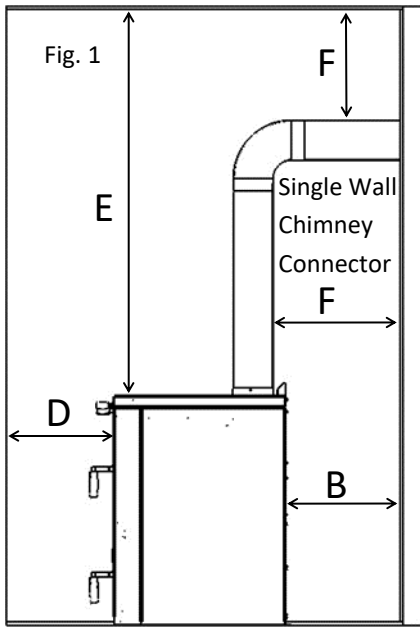
7. Connection of the cookstove to the chimney should be made as direct as possible (6 feet maximum horizontal) and no more than two bends shall be used. Any reductions in the flue pipe shall be no less than 6" in diameter. The pipe con-

necting the cookstove to the chimney shall be at least 24 gauge. Thicker gauges are available, and will resist corrosion longer and need fewer replacements. Slope the flue pipe towards the cookstove 1/4" per foot of horizontal run, this will help any condensation that forms in the pipe to be carried back down into the cookstove. The cookstove connection pipe should be installed so that the upper pipe section fits inside the lower connecting pipe section. This way any condensation building up inside the pipe, will stay inside the pipe as it flows down through the surface and back into the cookstove. Horizontal pipe runs should have the pipe seams turned up. Particular attention shall be paid to the point where the flue passes through a wall or ceiling; This penetration shall always be made with a chimney thimble, insulated pipe, and proper accessories based on the manufacturer's instructions. Chimney connectors must not pass through the ceiling, through concealed spaces, or enter the chimney in the attic, unless proper clearance is attained or the insulated pipe is used based on the manufacturer's instructions.

CAUTION:

Keep furnishings and other combustible materials away from stove.

COOKSTOVE LOCATION

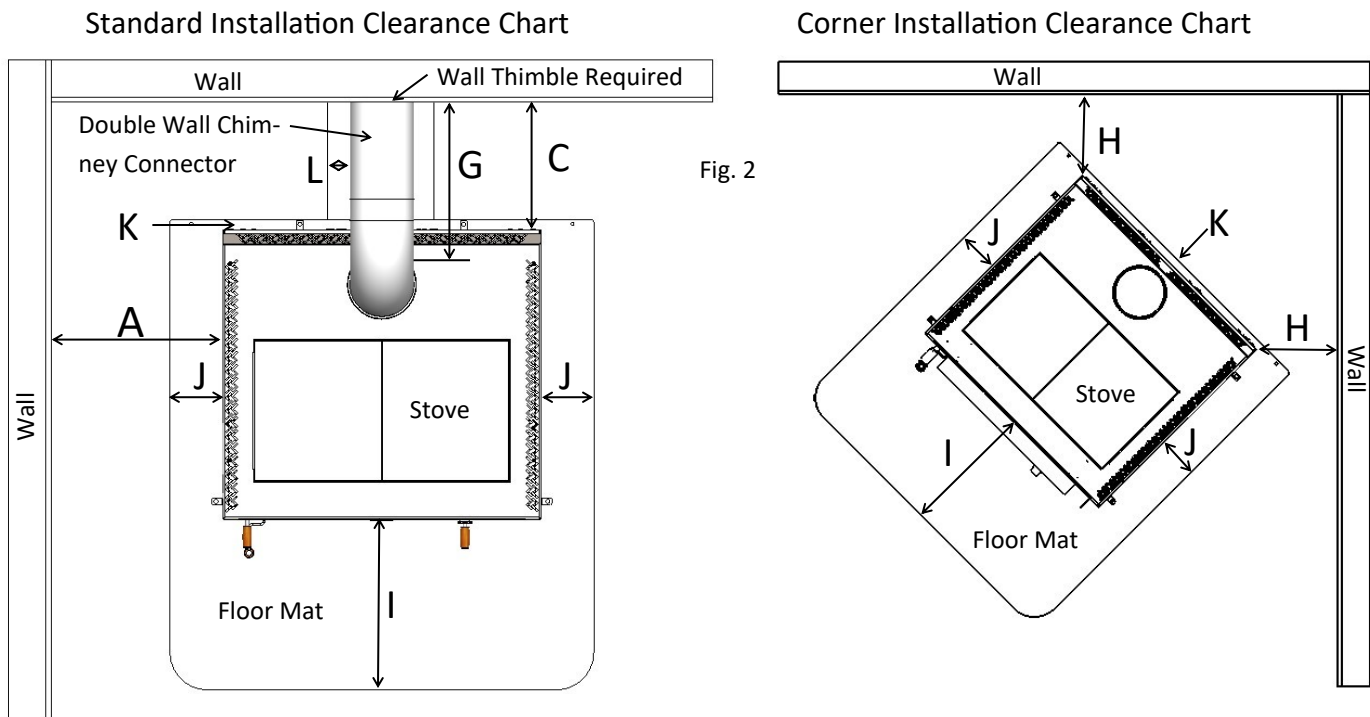


	Specifications	320W
A	Unit to right or left wall.	16"
	Unit to right or left wall with side cabinets installed.	Zero Clearance
B	Unit to back wall single wall chimney connector.	16"
C	Unit to back wall double wall chimney connector.	12"
	Unit to back wall w/Rear Exhaust option and approved double wall insulated chimney connector (part # SPR6WTB & JSC6AP) and Rear Wall Protection Kit (part # 320-RWPK)	Zero Clearance
D	Front	36"
E	Unit to ceiling	36"
F	Single wall chimney connector to wall	18"
G	Double wall chimney connector to wall	6"
H	Corner Installation	10"

This cookstove must be installed with, and maintain, the clearances shown in the illustrations.

1. Set the cookstove on a solid, non-combustible floor.
2. Use a non-combustible Heco Floor Mat (Part # 320320W-FM).
3. The Floor Mat must extend out at least 16" (I) from the front edge, 4-7/8" (J) from either side and 1" (K) behind the cookstove. It also must run underneath and extend 2" (L) beyond either side of the chimney connector, if the pipe is elbowed towards a wall. See Fig. 2.

CAUTION: do not store combustible or flammable materials near cookstove.



CHIMNEY REQUIREMENTS

The minimum height of a chimney system for the Heco Cookstove is 20 feet. The chimney must extend above the roof of a house at a minimum of 3 feet at any exit points. Use only chimneys and venting systems that comply with UL 103 or UL 1777 Standards. Ensure the chimney is suitable for use with solid fuel-burning appliances. On a pitched roof, installation of the chimney must be 2 feet higher than anything within a 10 foot radius of the chimney. It is important to have a chimney draft of -0.06 inches water column. It is required to abide by the manufacturer's instructions on Class A chimneys, as well as local building codes. It is not recommended to build a chimney on a building addition that is lower than the original part of the house. Do not extend the stovepipe past the inside of a masonry chimney liner and never connect this unit to a chimney serving another appliance.

1. The cookstove must have it's own chimney flue. One cookstove per flue.
2. The chimney must be a Class A masonry chimney with a chimney liner (recommending Chimtek), or a Class A UL Approved stainless steel insulated chimney system.
3. The masonry chimney shall not have any missing mortar or loose bricks.
4. No mortar or chimney parts shall be blocking the chimney flue.
5. There shall be a two inch clearance between any chimney and combustibles; except a Chimtek Masonry Chimney System, which has zero clearance.
6. The chimney shall extend at least 2 feet above the highest point of the house, or 2 feet above the point at which the chimney is 10 feet from the roof.

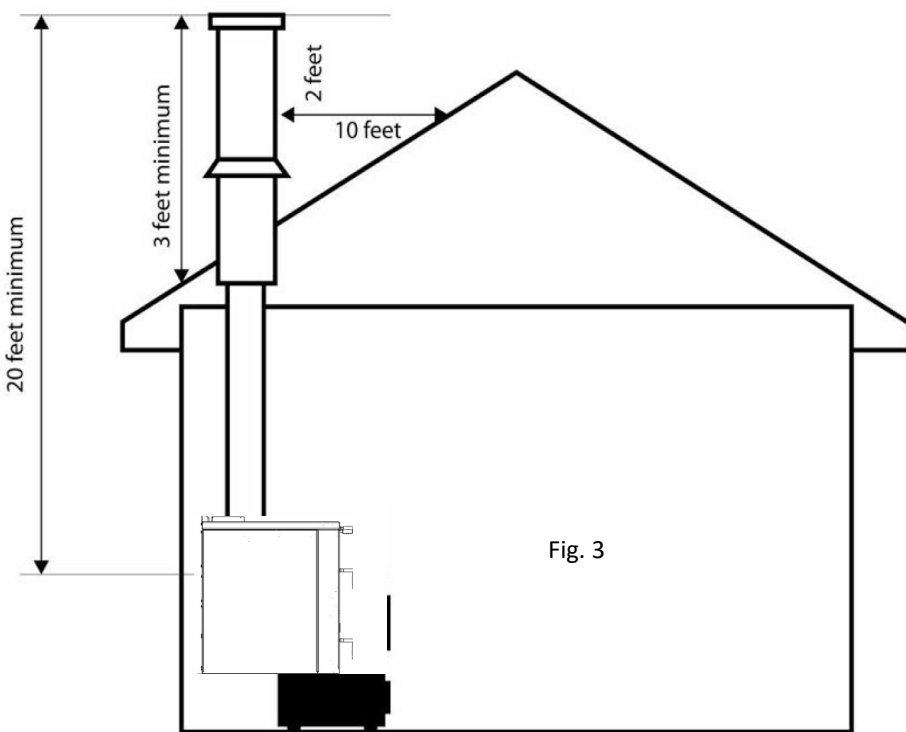


Fig. 3

REMEMBER: all chimney connector sections shall be connected by at least 3 sheet-metal screws per joint. A fire in the stack may cause vibration, and poorly fastened piping may come apart, causing an extreme fire and smoke hazard. Do not extend the chimney connector past the inside edge of the flue liner. If you have a manufactured stainless steel chimney, attach the chimney connector to a stove pipe adapter. Whenever the pipe connects to a masonry chimney, the flue to the chimney should be larger than the chimney connector, ensuring that you can insert the pipe out to the inside edge of the chimney (not past). Be sure to seal as tight as possible and cover with a trim collar.

According to NFPA Standards, single-walled chimney connectors can be within 9 inches of a combustible, provided an approved fire retardant material is utilized. It must also be covered with 28 gauge sheet metal and spaced out 1" on non-combustible spacers.

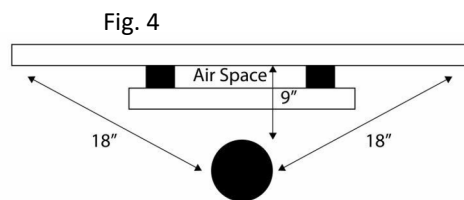


Fig. 4

ALL ZERO CLEARANCE INSTALLATION INSTRUCTIONS MUST BE FOLLOWED OR IT COULD CAUSE A SERIOUS FIRE HAZARD

Cabinet Zero Clearance Installation Instructions.

1. You must install side cabinets to each side of the HC320W for Zero Clearance to the side of the cabinets. (Part # 320320W-SC) Minimum 50" required for full width of stove and cabinets.
 - Remove top and bottom screws and cup washers of back sides of stove. See Fig. 7.
 - Set right and left side cabinets tight in against stove with rear tabs lining up with screw holes where you removed the screws in the back and install screws and cup washers you just removed. See Fig. 7.
 - Drill 4 - 1/8" holes and install 4 screws (#8x1/2 TX Flat Head) from the inside of the cabinets. (two from each side) See Fig. 5 & 6.

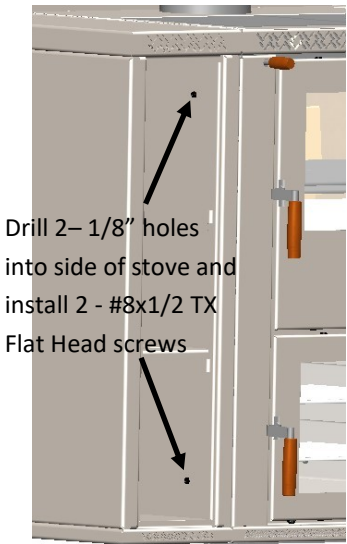


Fig. 5

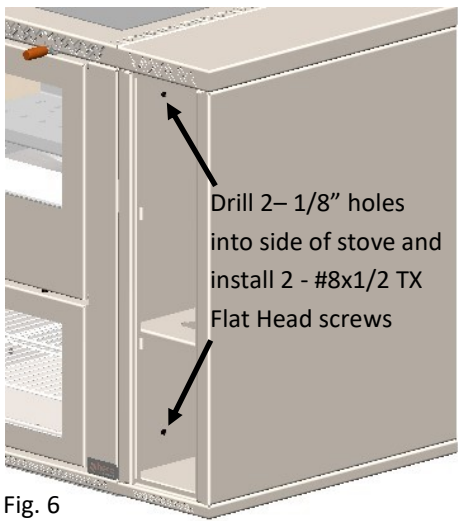
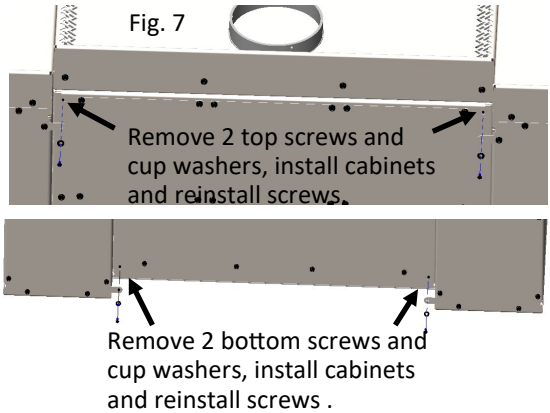


Fig. 6



2. Remove top exhaust ring and install top exhaust plug. See Fig. 8.
3. A Super Pro Anchor Plate (part # JSC6AP-320) and the proper length of Super Pro Double Wall insulated pipe (part # SPR6L12 or longer) must be installed to the back of the stove. See Fig. 9.

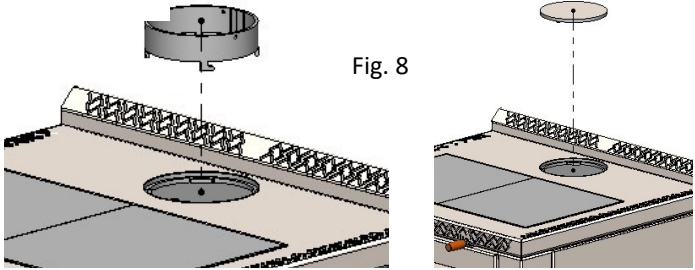


Fig. 8

- Remove the back skirting cover plate of the desired rear exhaust location and cut the insulation behind the back skirting in a perfect circle on the edge of the round cutout. Do not cut larger than you need, to keep a tight fit of your insulation to the Super Pro Chimney Pipe you need to install.
- Remove the back skirting and cover plate mounted on the back of the stove and attach the Super Pro Anchor Plate (JSC6AP-320) using the same screws you took out of the stove back cover plate. See Fig. 9.

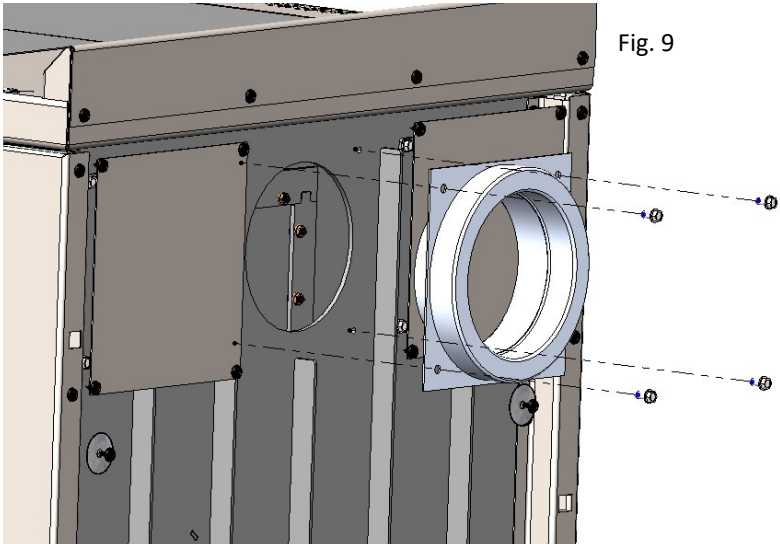
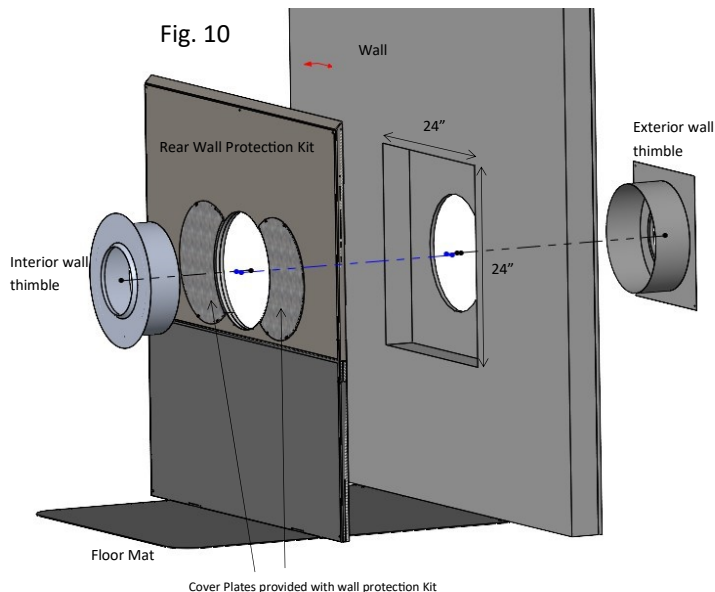


Fig. 9

- Install Super Pro Insulated Chimney Pipe to Anchor Plate and put 3 - #8 x 3/4" screws to ensure that the Insulated Chimney Pipe can not separate from the Anchor plate.
- Install the back skirting w/insulation and make sure you have tight fitting insulation around your Super Pro Chimney Pipe.

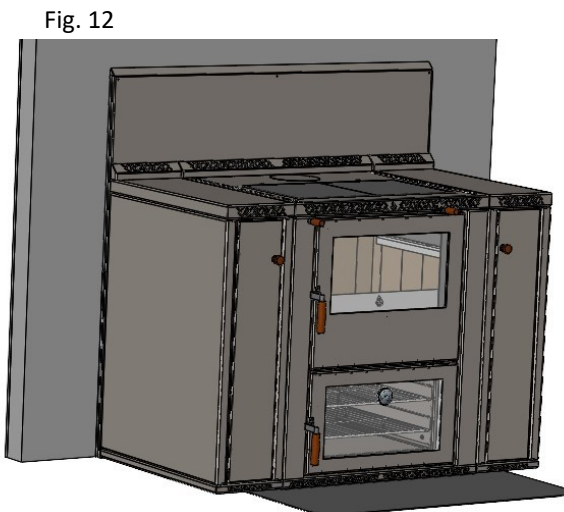
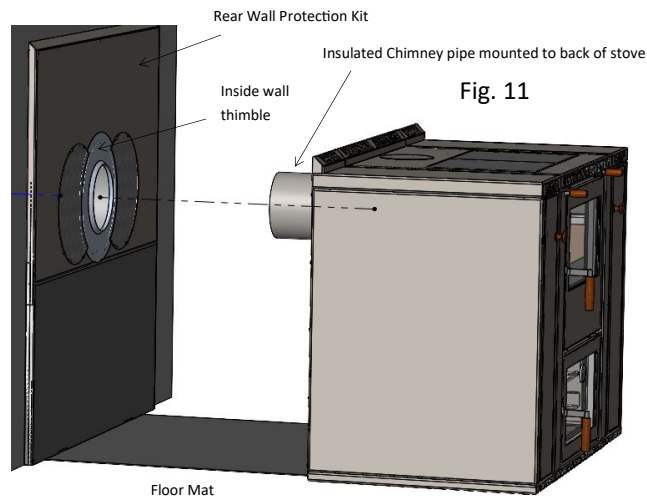
2. A combustible wall must be prepared with a 24" x 24" square hole on the interior with the center of the hole to match the center of the preferred rear exhaust on the stove. See Fig. 10. The dry-wall and all wood framing of the wall must be cut back 24" x 24" to allow an 8" clearance to combustibles from the insulated chimney pipe going thru the wall. The sheeting on the exterior of the wall is allowed to remain and be cutout for the wall thimble with the wall thimble being attached to the exterior sheeting or siding like a normal Super Pro install. Be sure to contact your local building or fire officials about restrictions and installation inspection requirements in your area. Also follow all installation instructions included with the Super Pro wall thimble.



- Figure out exactly where your stove will be installed and get a measurement to the center of the exhaust outlet. Mark the wall with your center point. (keep in mind that you will need to install the stove on a Floor Mat for all combustible floor applications)
- Mark the wall and create a 24" square hole centered on the exhaust outlet to the interior of the room but do not cut your exterior sheeting except for the diameter of the exterior piece of the wall thimble. Follow all Local & State building and fire codes.

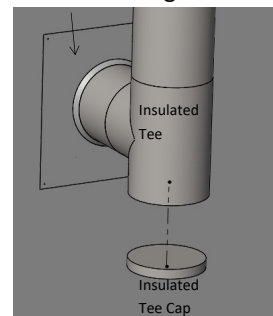
3. A Rear Wall Protection Kit (part # 320320W-RWPK) must be installed on the wall behind the stove.

- Install Floor Mat for all combustible floors before installing wall protection kit. Floor Mat gets installed under rear wall protection kit.
- Assemble the rear wall protection kit including 2 layers of 1/2" foil backed insulation and install on wall centered directly behind where stove will be installed and screw to the wall using the screws and screw holes provided with the kit
- Cut out the insulation of the wall protection kit for the exhaust outlet to be used. Cut insulation so that it will be a tight fit to the collar of the wall thimble.
- Move cover plates from wall protection kit to cover insulation where exhaust location options are not being used.



4. A Super Pro 6" wall thimble (part # SPR6WTB) must be attached to the interior of the rear wall protection shield.
 - Install the wall thimble to the interior of the wall protection kit.
5. Slide stove with the side cabinets, super pro insulated pipe installed on back of stove, back against the wall with the insulated chimney pipe going thru the wall thimble located on the wall protection kit. See page 9 Fig. 11.
6. From the exterior make sure insulation of wall protection kit is pushed against wall protection kit and tight around wall thimble collar. Make sure you have 8" clearance to combustible all around the Super Pro Insulated Chimney Pipe except exterior sheeting. Install Wall Thimble from exterior following installation instructions provided with the wall thimble.
7. Install Insulated Tee with Insulated Tee Cap on exterior. Use an Insulated Super Pro chimney following all Super Pro installation instructions provided with your chimney and the chimney requirements within this owners manual. See Fig. 13.
8. **Be Aware!** With the requirements to provide a 24" square opening with no combustibles around the chimney going thru the wall you need to extent your chimney at least 6" below the tee before adding a wall support so that you have solid framing for the full height of the standard Super Pro wall support system. Or you can use a Universal Wall Support / Resupport Assembly Designed to support a vertical wall installation above the tee or above an offset that will support up to 28 feet of 6" chimney.

Wall Thimble Fig. 13



OPERATION CONTROLS

Primary Air Control

Airwash Control is the Primary / Secondary Air and Airwash control for the stove. Located above the Fire Door. Adjust according to the desired heat output. Not recommended to keep on complete high except for fire up purposes.

Keeping the airwash control in low for extended periods of time can result in excessive creosote buildup.

Baking and Cooking Controls

The Heco Cookstove is designed for both oven baking and stovetop cooking. The Oven Bypass Control is used to set the stove in either Cook Mode or Bake Mode. This control is changed by using the handle located on the front, top left of the cookstove (see Fig. 14.). You can cook and bake at the same time while in Bake Mode, but cannot do this while in Cook Mode.

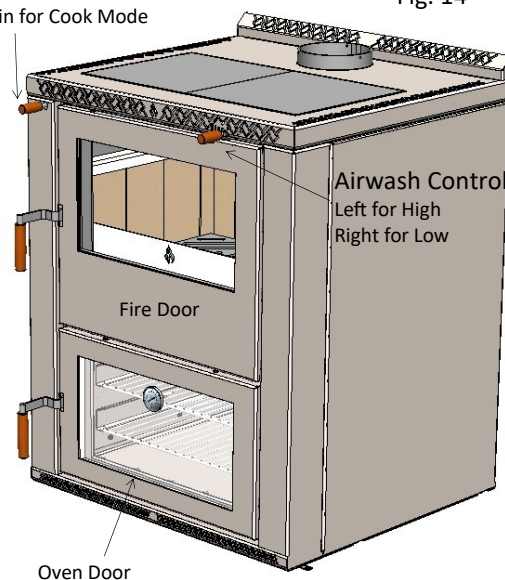
Do not set the cookstove in Bake Mode if you are not

baking, this will decrease the lifetime of your cookstove's oven box and require more frequent creosote clean out.

The diagram above shows the two settings for the Oven Bypass Control; pull the handle (front, top left of the stove) out to set the cookstove in Bake Mode and push the handle in for Cook Mode. When you want to bake it is recommended to use smaller pieces of wood that is dry. Stack the wood inside at least 24 hours before burning it. When baking it is recommended to put the airwash control on high till the bake oven temperature reaches the desired baking temperature then move it back to the desired setting. Always move the Airwash control off of high once your fire gets going so it does not overfire.

Oven Bypass
Pull out for Bake Mode
Push in for Cook Mode

Fig. 14



Maintenance

Daily Maintenance

1. Fill fire box with wood as needed.
2. Rake ashes thru fire grate slots as needed.
3. Dump ash pan as needed.

Weekly Maintenance

Cleaning Glass While Stove Is Burning:

Caution! The door frame and glass will be hot, gloves must be worn to clean the stove glass while stove is burning.

1. Move airwash control to low and allow stove to cool down before attempting to clean the glass.
2. Wear Gloves! Open the fire door and clean the window using a reusable dry glass cleaner (Woolly Bully). If farther cleaning is necessary, use the stove glass cleaning product of your choice and a non synthetic cloth.

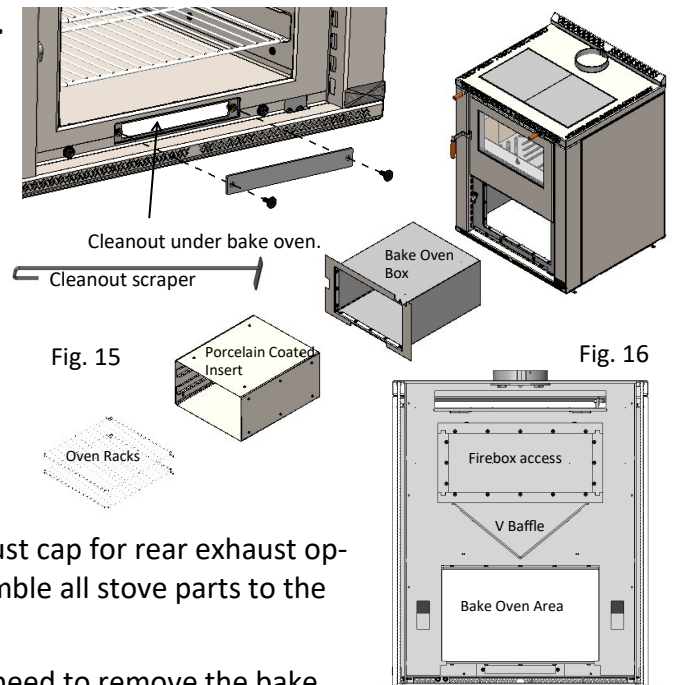
Caution! Do not spray cleaner directly on Hot Glass.

Annual Maintenance

Soot or Creosote Removal.

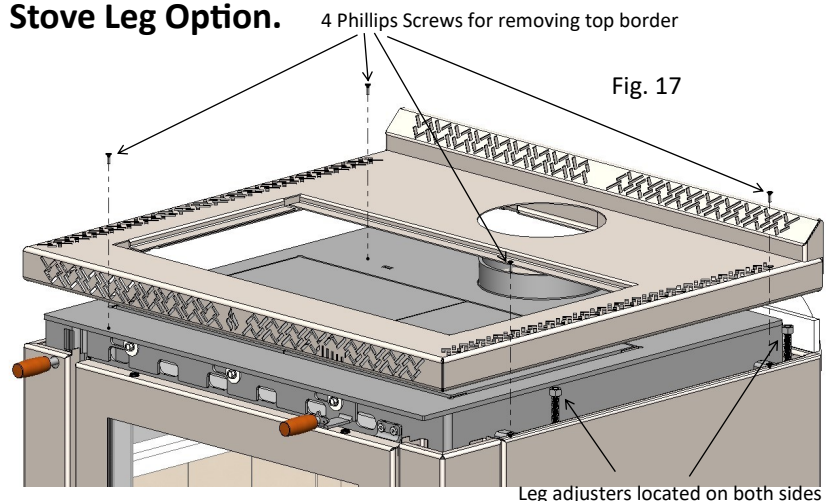
1. Remove clean out under bake oven and use cleanout scraper provided with stove to clean out under bake oven. See Fig. 15.
2. Remove the firebrick on the right and left side of firebox and clean all the creosote off the side walls and bottom of the stove. In the back there is a V baffle that will also need to be cleaned out from the access within the firebox. See Fig. 16. Or by removing either your exhaust pipe with a top exhaust option or by removing the top exhaust cap for rear exhaust options. Clean creosote out of all areas and reassemble all stove parts to the original form before lighting another fire.
3. If this does not appear to be adequate you may need to remove the bake oven from the stove. See Fig. 15

CAUTION!
ASH PAN HANDLE WILL BE HOT, YOU MUST WEAR GLOVES WHEN REMOVING ASH PAN.



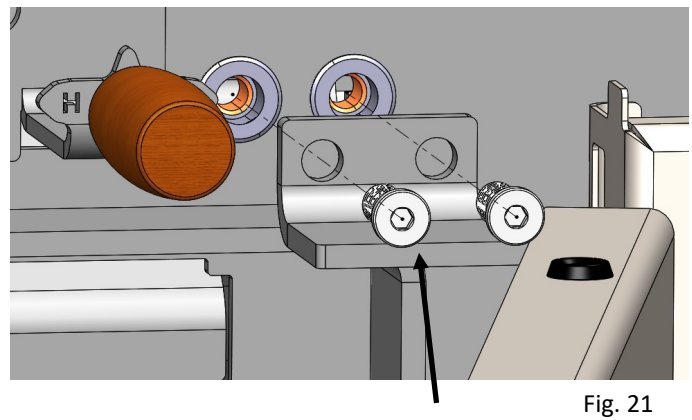
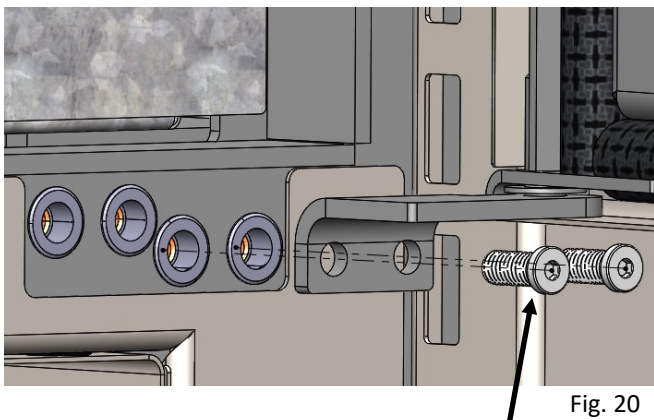
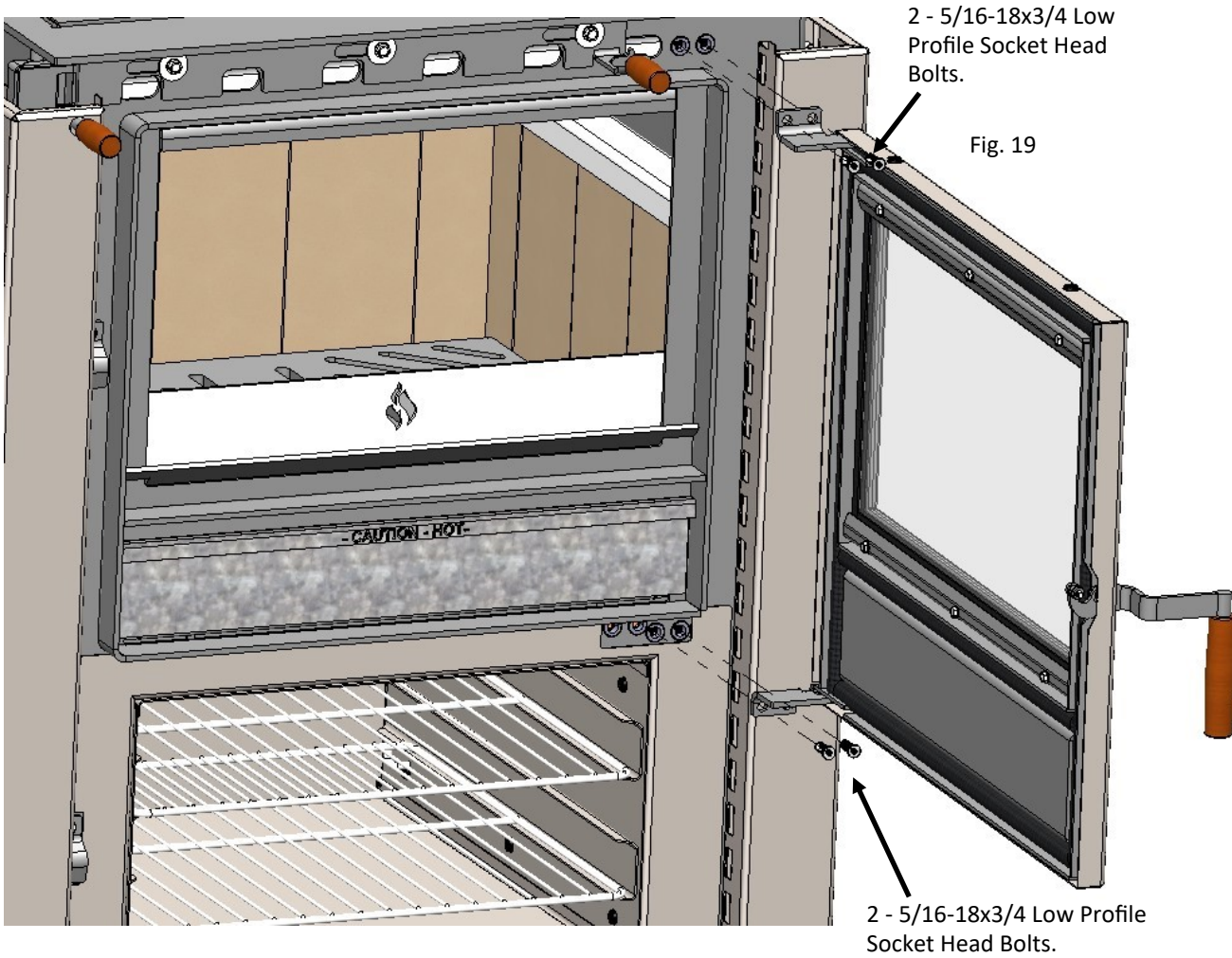
Top Border Install and Adjustable Stove Leg Option.

1. Remove the 2 piece porcelain tops. See Fig. 17. or Page 14 Fig. 26.
2. Remove the 4 Phillips screws.
3. Lift the back then slide front (to get around the front lip) to remove the top border.
4. You can now access the adjustable leg system. Use a wrench or socket to adjust the legs to the desired height or just to level the stove.



Fire Door Installation Instructions

1. Install Fire Door using 4 - 5/16-18x3/4 Low Profile Socket Head Bolts. See Figs. 19, 20 & 21.



Oven Door Installation Instructions

1. Remove Bottom Front Panel. Remove 2 Phillips screws and cup washers and pull bottom front panel straight forward. See Fig. 24.
2. Install Bake Oven Door using 4 - 5/16-18x3/4 Low Profile Socket Head Bolts. See Figs. 25.
3. Install Bottom Front Panel. Install 2 Phillips screws and cup washers. See Fig. 24.

Fig. 24

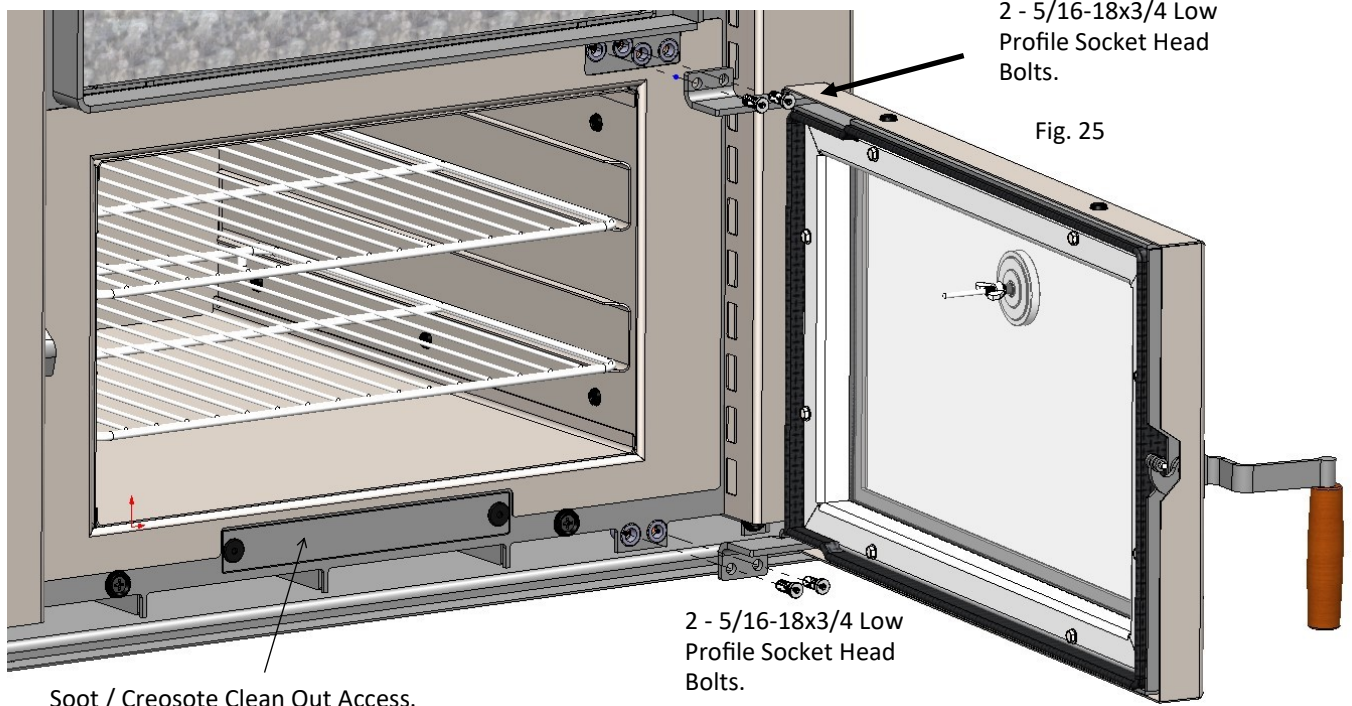
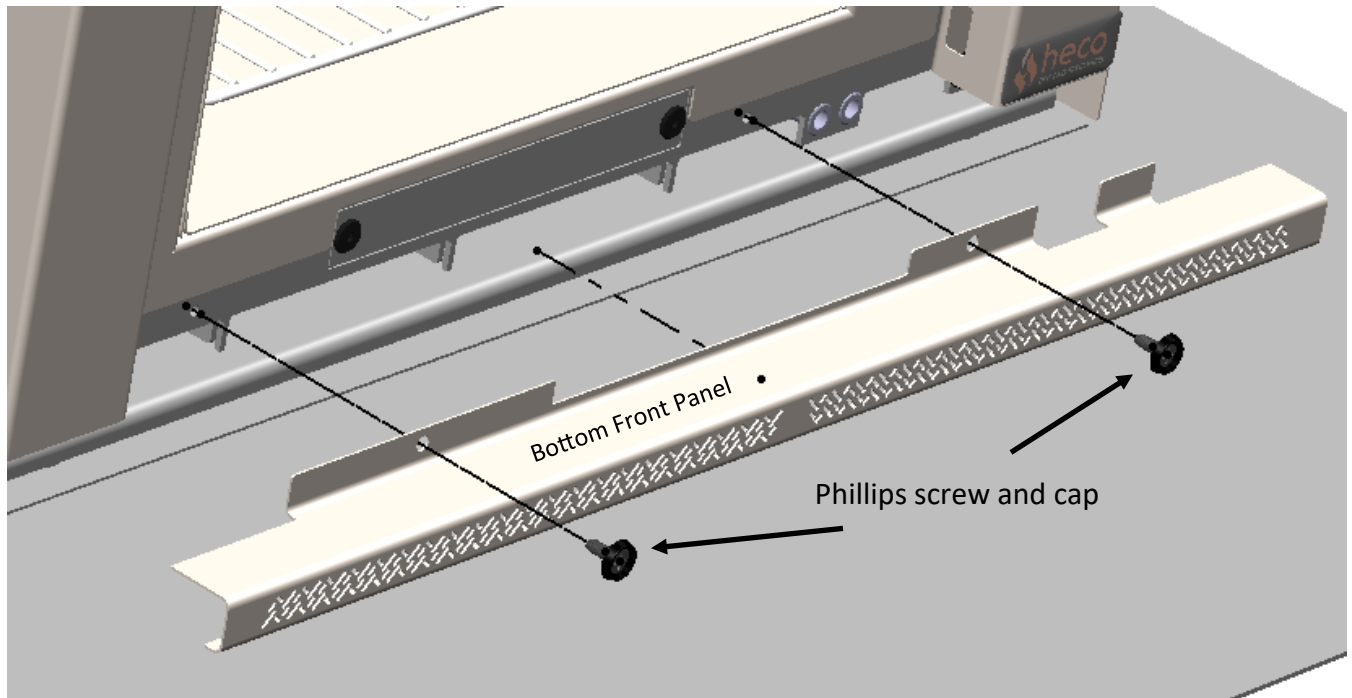


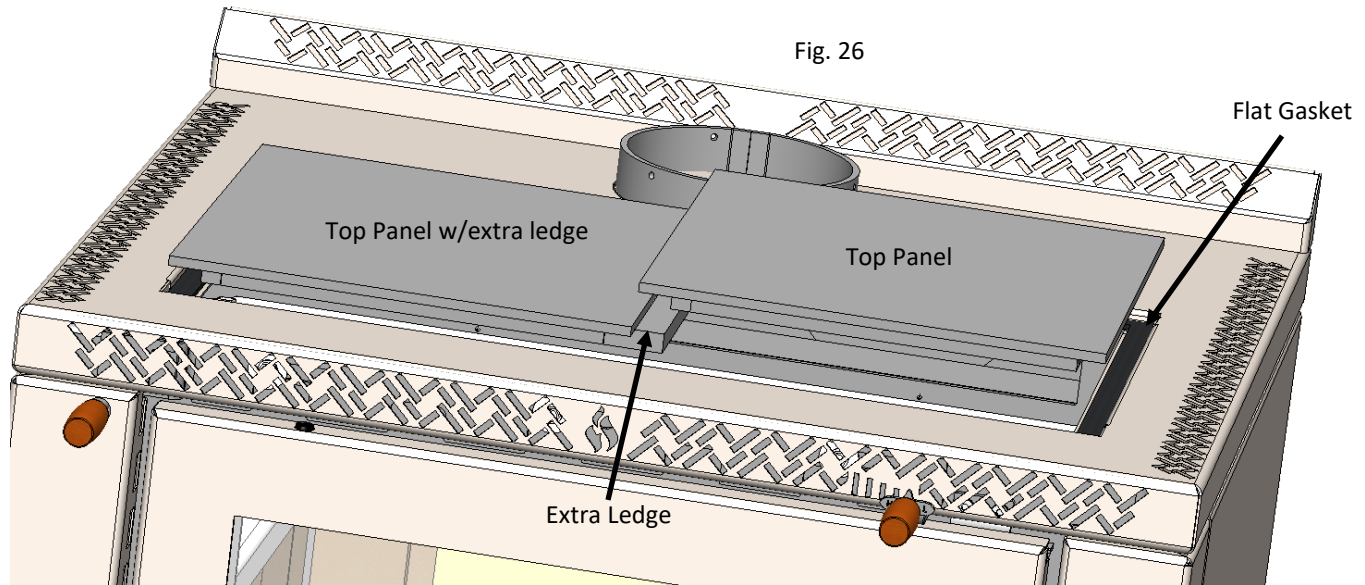
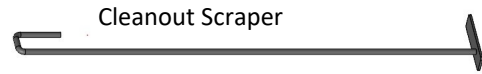
Fig. 25



Cleanout Scraper ships with stove. Lays on top of the baffles. Remove the cleanout scraper before installing 2 Panel Tops.

2 Panel Top Installation Instructions

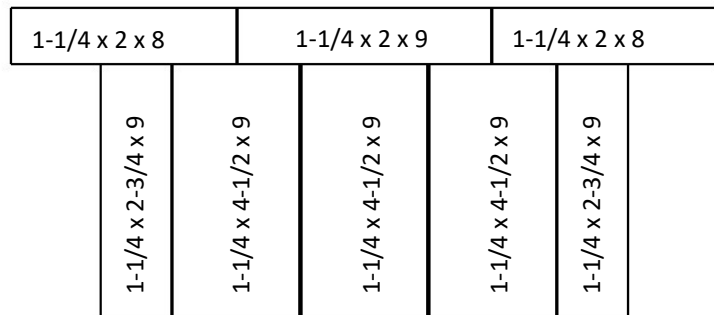
1. Cleanout scraper ships with stove. Lays on top of baffles for shipping. Remove from stove before installing 2 Panel Top.
2. Make sure gasket is installed properly for top panels to sit on. Gaskets need to connect at all corners. See Fig. 26.
3. Install Top Panel w/extra ledge. See Fig. 26.
4. Install Top Panel. See Fig. 26



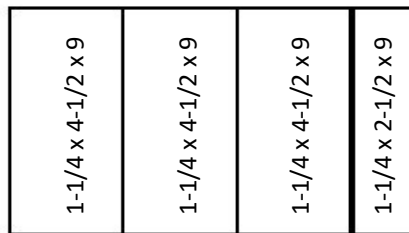
Fire Brick Layout

	Amount	Size
Back Bottom	3	1-1/4" x 4-1/2" x 9"
Back Bottom	2	1-1/4" x 2-3/4" x 9"
Back Top	1	1-1/4" x 2" x 9"
Back Top	2	1-1/4" x 2" x 8"
Left Side	3	1-1/4" x 4-1/2" x 9"
	1	1-1/4" x 2-1/2" x 9"
Right Side	3	1-1/4" x 4-1/2" x 9"
	1	1-1/4" x 2-1/2" x 9"

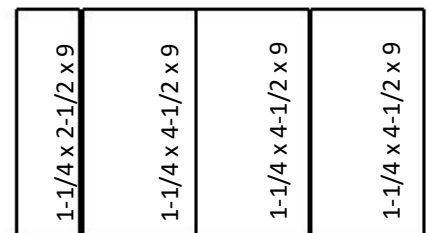
Back



Left Side



Right Side



Reburn Baffle Removal Instructions

1. Remove Top Border. See Page 11. Fig. 17.
2. Remove the Baffle Pins from inside firebox. There is a baffle pin on the right and left side for each baffle. Total of 4 Baffle Pins. See Fig. 27.
3. Lift Baffles straight up and remove from stove. See Fig. 28.
4. Inspect Board Insulation on top of baffles before putting the baffles back into stove. If insulation is broken or deteriorating replace it. Part # 320320W-TBINS.
5. When putting baffles back in make sure baffle gaskets (part # 320320W-RBG) are intact and in position so that it seals between the baffle and air tubing slot.
6. When baffles and gasket are in proper position install Baffle Pins. See Fig. 27.
7. Install Top Border. See Page 11. Fig. 17.

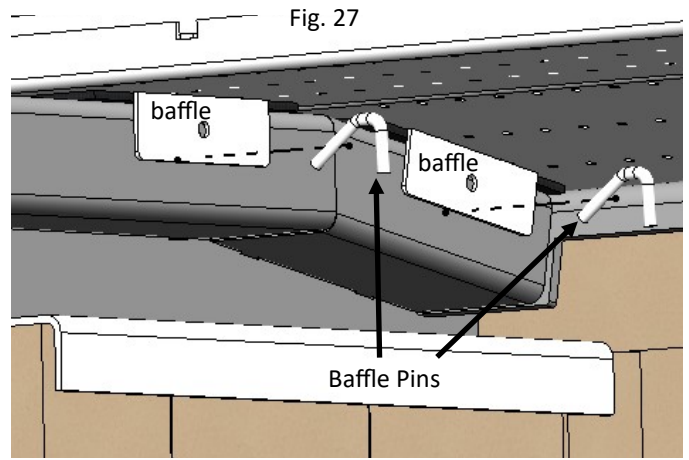


Fig. 27

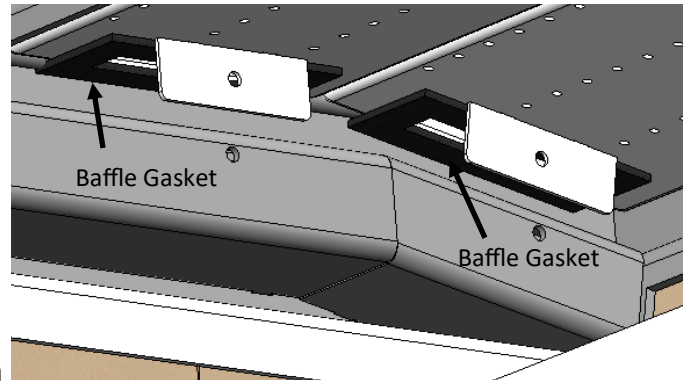


Fig. 28

Oven Bypass Damper Replacement Instructions

1. Remove cotter pin from oven bypass handle. See Fig. 29.
2. Remove 2 cotter pins from Oven Bypass Damper, remove 2 - 5/16" x 2-3/8" Clevis Pins and remove the damper. See Fig. 30.
3. Replace Oven Bypass Damper and reverse instructions above.

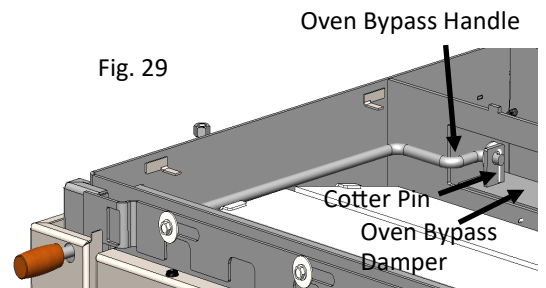


Fig. 29

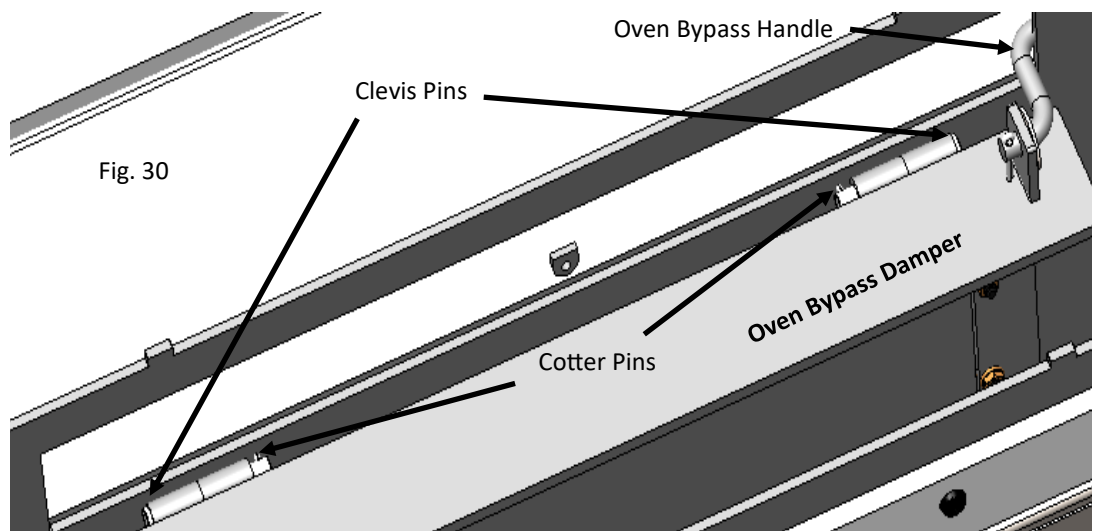


Fig. 30

Heco HC320W Parts List

Qty	Part #	Description
1	320W-GFD	Glass Fire Door
1	320W-GFDP	Glass Fire Door Panel (porcelain coated)
1	3200320W-GOD	Glass Oven Door
1	320320W-GODP	Glass Oven Door Panel (porcelain coated)
1	320320W-2PT	2 Panel Porcelain Tops
1	320320W-LHTP	Left Hand Porcelain Coated Top Panel with ledge (Included in 320320W-2PT)
1	320320W-RHTP	Right Hand Porcelain Coated Top Panel (Included in 320320W-2PT)
1	320320W-BFP	Bottom Front Panel (porcelain coated)
1	320320W-BS	Back Side Panel (porcelain coated)
1	320320W-SPLH	Side Panel Left Hand (porcelain coated)
1	320320W-SPRH	Side Panel Right Hand (porcelain coated)
1	320320W-TB	Top Border (porcelain coated)
1	320320W-TT	Top Border Back Splash (porcelain coated)
1	320W-LLP	Left Front Corner Panel (porcelain coated)
1	320W-RLP	Right Front Corner Panel (porcelain coated)
1	320320W-BOB	Bake Oven Insert Bottom (porcelain coated)
2	320320W-BOI	Bake Oven Insert Sides (porcelain coated)
1	320320W-BOTP	Bake Oven Insert Top (porcelain coated)
1	3203250W-BOBCK	Bake Oven Insert Back (porcelain coated)
3	.125x.75 Cotter Pin	Oven Bypass Damper Cotter Pin
2	0.3125x2.375 Clevis Pin	Oven Bypass Damper Pin
6	1038-GRS	#10 x 3/8" SS Glass Retainer Screws
1	320320W-AAW	Adjustable Air Wash Plate
1	320320W-BPH	Oven Bypass Damper Handle
1	320320W-BYP	Oven Bypass Damper
1	320320W-COP	Clean Out Plate (V Baffle)
1	320320W-DH	Door Handle Assembly (Does not include Wood Handle)
1	320320W-EXH	6" Exhaust Ring for top exhaust option.
2	320320W-FBCH	Fire Brick C Channel
1	320320W-FBS	Firebox Logo Shield
2	320320W-GH	Fire Door Glass Holder
2	320320W-RBB	Re-burn Baffle
2	320320W-TBINS	Top Baffle Insulation
1	320320W-TEP	Top Exhaust Plug
1	320W-AP	Ash Pan
1	320W-G	Fire Grate for Wood Unit
1	34-GR	3/4" x 96" Rope Gasket for Fire Door
1	58-GR	Oven Door Rope Gasket 5/8" x 66"
1	78-WG	Oven Door Window Gasket 60"
1	78-WG	Fire Door Window Gasket 60"
2	HCOR-17.5x18	Heco Oven Rack
1	HECO-5000T	Oven Thermometer
2	HECO-AWH	Wood Handle for Air Wash Control and Oven Bypass Handle
2	HECO-DWH	Wood Handle for Fire and Oven Door.
1	320320W-SC	Optional; 2 PC Set Side Cabinets - Porcelain Coated
1	320320W-SCRH	Optional; Right Hand Side Cabinet (Included in 320320W-SC)
1	320320W-SCLH	Optional; Left Hand Side Cabinet (Included in 320320W-SC)
1	320320W-RWPK	Optional; Rear Wall Protection Kit for Zero Clearance to back wall
1	320-FM	Optional; Floor Mat
1	320-PED	Optional; Heco HC320W Petalstool
1	320-SG	Optional; Summer Grate

Trouble Shooting

Symptom	Problem	Cause	Solution
Difficulty lighting or maintaining fire, excessive smoking or back-puffing	<ul style="list-style-type: none"> – Inadequate draft – Wet wood 	<ul style="list-style-type: none"> – Cold chimney – Closing oven bypass before chimney is heated – Obstruction inside chimney – Chimney is too short – Oversized chimney liner: – Negative pressure in house (caused by furnace, exhaust fans, dryer etc.) – Too much ash in firebox 	<ul style="list-style-type: none"> – Only operate 1 stove per chimney – Wood must have 20% or less moisture – Keep damper open until fire is established – Inspect & clean chimney and chimney connectors. – Remove obstruction – Extend chimney – Install liner (flue liner should have the same diameter as the flue collar of the stove) – Turn off cookstove and other exhaust factors when stove is burning – Crack a window to allow air into the room – Increase chimney height to increase draft
Smoking or back-puffing when cook plate or fire door is open	<ul style="list-style-type: none"> – Temporarily inadequate draft to pull smoke up chimney 	<ul style="list-style-type: none"> – Oven damper is closed – Cold chimney – High winds – Poor quality wood 	<ul style="list-style-type: none"> – Open damper prior to opening the door – Allow more time to warm up; Wait until the wind dies down and install high wind cap – Check stove for cracks – Check all cleanout doors to ensure they're closed, including chimney cleanout.
Fire is difficult to control	<ul style="list-style-type: none"> – Excessive draft 	<ul style="list-style-type: none"> – Too much draw on chimney – Door/glass gaskets loose or deteriorated – Fire door is not closed – Excess air coming into stove 	<ul style="list-style-type: none"> – Install stovepipe damper in chimney connector – Replace the gasket if deteriorated
Wood is hard to light, just sizzles and steams	<ul style="list-style-type: none"> – Wet/Damp wood 	<ul style="list-style-type: none"> – Inadequate seasoning – Wood should be split – Moisture getting into stored wood 	<ul style="list-style-type: none"> – Allow wood to dry under cover for one year after splitting – Keep split wood covered (sides open) – Install liner to match stove flue size – Close oven damper
Oven won't heat adequately	<ul style="list-style-type: none"> – Inadequate draft – Low firebox temp – Heat not reaching oven 	<ul style="list-style-type: none"> – Oversized chimney or liner too large – Oven damper could be open – Wet wood 	<ul style="list-style-type: none"> – Allow wood to dry under cover for a minimum of one year after splitting – Keep split wood covered (sides open) – Install liner to match stove flue size – Close oven damper – Use 2"-4" split firewood to increase btu's
Inaccurate temperature readings	<ul style="list-style-type: none"> – Door thermometer not accurate 	<ul style="list-style-type: none"> – Door thermometer does not always provide 100% accurate readings 	<ul style="list-style-type: none"> – Use interior oven thermometer

Trouble Shooting

Symptom	Problem	Cause	Solution
Food is cooking unevenly	<ul style="list-style-type: none"> – Inconsistent oven temperatures 	<ul style="list-style-type: none"> – Fire not stabilized – Oven bypass is open, sending heat to the top of the oven and out the chimney – Location of oven rack – Dirty stove 	<ul style="list-style-type: none"> – Allow fire to stabilize (3-4" of red hot coals) – Recharge fuel as needed – Adjust oven racks – Rotate food for more even results – Cleanout around bakeoven using the recommended cleanout procedures
Slow Cooking	<ul style="list-style-type: none"> – Cooking surface not hot enough 	<ul style="list-style-type: none"> – Fire not hot enough – Oven damper closed – Inadequate contact between cooking vessel and cooktop – Wet wood – Chunks of wood are too large to create flame 	<ul style="list-style-type: none"> – Add fuel and/or increase draft – Move cooking vessel to the center of cooktop – Use flat bottomed cooking vessels – Use wood pieces split to 2"-4" and below 20% moisture content
Stove rusting	<ul style="list-style-type: none"> – Wet or cold conditions 	<ul style="list-style-type: none"> – Condensation from temperature fluctuations – High humidity areas – Unheated structure 	<ul style="list-style-type: none"> – Prep stove for storage with food based grease – Run dehumidifier – Run heat on low when cookstove is not in use
Campfire Smell	<ul style="list-style-type: none"> – Negative pressure 	<ul style="list-style-type: none"> – Reverse flow in chimney – Moisture & creosote combination 	<ul style="list-style-type: none"> – Remove negative pressure in home by cracking a window or adding a fresh air inlet – Only operate 1 stove per chimney – Clean stove – Check all cleanout doors to ensure they're closed, including chimney cleanout
Burn Time is not long enough.	<ul style="list-style-type: none"> – Burning too much wood 	<ul style="list-style-type: none"> – Wet wood – Soft wood – Wood too dry – Not enough ash buildup – Burning kindling – Burning too hot 	<ul style="list-style-type: none"> – Use seasoned hardwood (split, stacked and under cover for 1 + year) – Allow 2 - 3" of ash buildup on grates – Burn at normal burn – Use larger pieces of firewood, smaller pieces will burn faster and hotter

Heco Cookstove Limited Lifetime Warranty

COVERAGE. DS Machine LLC warrants to the original purchaser that all Heco products are free from workmanship and material defects during the lifetime of the original purchaser. If a product is defective, DS Machine LLC, at its option, will repair or replace with a new product free of charge, excluding any applicable shipping and handling charges. No warranty is offered on rust, paint or finishes due to being made with material with potential for corrosion. Altering any DS Machine product, or using the product in any way other than the intended use, will void this Lifetime Warranty. Ropes, gaskets, paint, porcelain coatings, firebricks, baffles, wood handles, glass, ash pans, and hot water heating components (coils & reservoirs) will not be covered under this warranty. These fall under normal maintenance.

Damage due to incorrect installation and failure to comply with local authorities or follow correct protocol is also excluded. No warranty is offered on rust, paint or finishes due to being made with material with potential for corrosion. Damages caused due to missing fire brick in the fire box will not be covered under this warranty.

REPLACEMENT. The customer must arrange to deliver or ship the stove/part to an authorized Heco dealer at their expense and arrange for pickup or delivery of the same after the repairs have been made. If, upon inspection, any damage is found to be the fault of the manufacturer, the repair or replacement will be made. This warranty does not include expenses incurred from travel time or loss of service. This warranty is not transferable and is extended only to, and is solely for the benefit of, the original retail purchaser of the stove. Please keep your dated sales receipt as proof of purchase.

NOTICE. This warranty is void if installation or service is performed by someone other than a qualified installer or service agency, or if installation is not in conformity with installation instructions or local fire and building regulations. All warranty claims must be submitted through the authorized Heco dealer from whom the product was originally purchased.

The stove top shall not exceed 800 degrees. All warranty will be void if surfaces reach above 800 degrees. You can purchase a stove top thermometer to aid in monitoring your temperature.

This warranty does not cover damage or product failure caused by accident, misuse, negligence, tampering, overloading, improper attachment, or improper maintenance. DS Machine LLC is held harmless for any injury or death caused by the misuse of this product.

This warranty gives you specific legal rights providing said product is put to its proper designated use.

EXCLUSIONS. THIS WARRANTY IS EXPRESSLY IN LIEU OF ALL OTHER WARRANTIES, EXPRESS OR IMPLIED, INCLUDING THE WARRANTY OF MERCHANTABILITY AND FITNESS FOR A PARTICULAR PURPOSE. NO ORAL AGREEMENT, GUARANTEE, PROMISE, REPRESENTATION OR WARRANTY SHALL BE BINDING. IN NO EVENT WILL DS MACHINE LLC BE LIABLE FOR ANY SPECIAL, INDIRECT, INCIDENTAL OR CONSEQUENTIAL DAMAGES EVEN IF DS MACHINE LLC HAS BEEN ADVISED OF THE POSSIBILITY OF SUCH DAMAGES AND EVEN IF DS MACHINE LLC HAS KNOWLEDGE THAT FAILURE TO PERFORM COULD CAUSE CONSEQUENTIAL ECONOMIC LOSSES. IN ANY EVENT, CUMULATIVE DAMAGES FOR BREACH OF THIS WARRANTY WILL BE LIMITED TO THE AMOUNT ACTUALLY PAID TO DS MACHINE LLC FOR THE PRODUCT. THIS PARAGRAPH SHALL APPLY TO ALL ACTIONS RELATED TO THE PRODUCT, WHETHER BASED ON TORT, CONTRACT OR OTHER THEORIES. THE PURCHASER ACKNOWLEDGES THAT THIS PARAGRAPH ALLOCATES THE RISK OF PRODUCT FAILURE BETWEEN DS MACHINE LLC AND THE PURCHASER, AND THAT THIS ALLOCATION IS REFLECTED IN THE PRICE PAID.

Manufactured by:



238B Old Leacock Rd

Gordonville PA

17529

717-768-3853

sales@dsofpa.com