

# HOLH SERIES

## High Output LED Linear High Bay - Tennis/Sports

### SPECIFICATIONS

**APPLICATION** The high lumen output luminaire is designed to be a replacement for HID and fluorescent high bays or low bays. It is optimal for lighting applications where long life, low maintenance, and consistent color rendering is required. Areas with limited accessibility due to fixture location which makes maintenance difficult are ideal applications. The high wattage/lumen output allows the fixture to be used for many indoor sports venues and applications.

**CONSTRUCTION** The HOLH body and housing assembly are ruggedly constructed from 22ga cold rolled steel sheet. Fixture is assembled with special thread forming sheet metal screws to prevent loosening from vibration. All hardware is zinc plated steel. Rigid stiffening brackets prevent twisting and bowing. Engineered for exceptional thermal performance using lightweight aluminum thermal LED heat sinks. Open structure design allows for natural convective cooling. Wireguard comes standard.

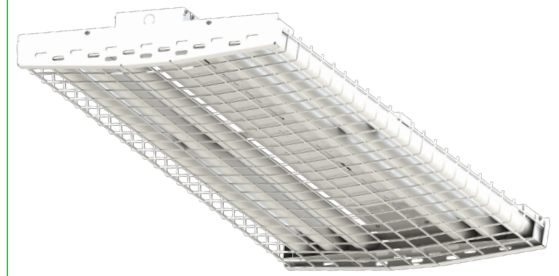
**FINISH** Post painted housing and components with a Lighting White Polyester type paint which has a UV stabilizer included with a 93% reflectivity. Raw steel goes through our custom wash system with a mild solvent and pre-treatment "rust inhibitor" before passing through a preheat oven. After the paint is applied the fixture then passes through the cure oven for maximum adhesion. Each fixture is painted to a minimum of 2-3 mil thickness for extra durability.

**OPTICAL SYSTEM** High efficiency linear LED modules with acrylic diffusers provide a wide light distribution with exceptional vertical and horizontal performance. Optics provide 93% transmittance of light while providing glare control and protection for the LED strips.

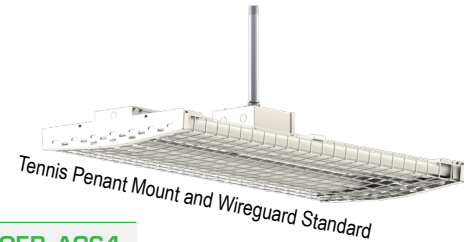
**ELECTRICAL SYSTEM** Metal Core PCBA using long life LEDs and high efficiency drivers work together to provide superior performance in a safe and efficient package. HOLH provides a wide range of output options, from 52,000 to 96,000 lumens. L95 at 10K hours L70 ≥ 50K hours. LEDs available in 4000K and 5000K with a CRI >80. Electronic drivers are available in 120~277V or 347~480V configurations. Power factor >0.9. 0-10V dimming standard (dimming leads pulled through upon request). Modular wiring drop cord may be factory installed (contact your sales representative for details).



CENTER COURT  
**LIGHTING**



**MOUNTING** Monopoint mounting via a 3/4" rigid stem and Heavy Duty Conduit Outlet Box (standard).



### ORDERING INFORMATION

EXAMPLE: **HOLH-TS-6D-50-96L-VWD-1-HOEB-AC64**

HOLH-TS	6D	50	96L			VWD	1	HOEB
SERIES	MODULES	COLOR TEMP/CCT	NOMINAL LUMENS			LENS	VOLTAGE	OPTIONS
	<b>4D</b>	40 Neutral White (4000K)	<b>4D ONLY</b>	<b>5D ONLY</b>	<b>6D ONLY</b>	<b>VWD</b> Very Wide 120°	<b>1</b> Multi-Volt <sup>1</sup>	<b>HOEB</b> LED Battery Pack, 90 min, Approx 20W
	<b>5D</b>	50 Cool White (5000K)	<b>52L</b> 52,000L	<b>70L</b> 70,000L	<b>84L</b> 84,000L		<b>2</b> 387~480V	<b>HOEB10W</b> LED Battery Pack, 90 min, Approx 10W
	<b>6D</b>		<b>54L</b> 54,000L	<b>73L</b> 73,000L	<b>88L</b> 88,000L			<b>AC63</b> 6' x 3X 18AWG, 3/8" dia., Armored Conduit Flex Cable
			<b>56L</b> 56,000L	<b>77L</b> 77,000L	<b>92L</b> 92,000L			<b>AC64</b> <sup>2</sup> 6' x 4X 18AWG, 3/8" dia., Armored Conduit Flex Cable
			<b>59L</b> 59,000L	<b>80L</b> 80,000L	<b>96L</b> 96,000L			<b>AC103</b> 10' x 3X 18AWG, 3/8" dia., Armored Flex Conduit
			<b>61L</b> 61,000L					W/ 12' BLK/WHT/GRN Wire
			<b>64L</b> 64,000L					<b>DLP</b> Dimming Leads Pulled
			<b>66L</b> 66,000L					<b>WOCLEV</b> <sup>3</sup> Fixture Mount PIR Occupancy Sensor
								<b>WOCBT</b> <sup>4</sup> Bluetooth Mesh Wireless Smart Control
								<b>C1</b> 6' Cord Set, Twist-lock 120V
								<b>C2</b> 6' Cord Set, Twist-lock 277V
								<b>C4</b> 6' Cord Set, Twist-lock 480V

### ACCESSORIES & NOTES

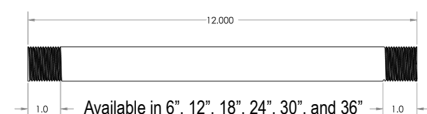
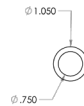
(Order as separate line items)

**HDHK75** ..... 3/4" Heavy Duty Conduit Outlet Box with Ball Type Hanger  
**100265xx** ..... Stem 3/4"-14 NPS Steel (replace "xx" with 6", 12", 18", 24", 30", or 36")

**Notes:**  
<sup>1</sup> = Multi-Volt is an auto ranging power supply from 100V to 300V input.  
<sup>2</sup> = Must be used with HOEB if AC is required.  
<sup>3</sup> = Fixture Mount PIR Occupancy Sensor.  
<sup>4</sup> = Bluetooth Mesh Wireless Smart Control.

#### 100265xx

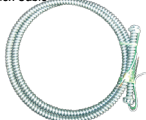
Stem 3/4"-14 NPS Steel (xx = Various Lengths)



**HOEB**  
LED Battery Pack, 90 min



**AC63 and AC64**  
6', 3x or 4x 3/8" dia., Armored Conduit Flex Cable



**WOCLEV**  
Fixture Mount PIR Occupancy Sensor



**WOCBT**  
Bluetooth Mesh Wireless Smart Control



(More Sensor info on pg. 3)

**C1, C2 and C4**  
6' Cord Sets with NEMA Style Twist-lock Plug



**HDHK75**  
3/4" Heavy Duty Conduit Outlet Box with Ball Type Hanger



# HOLH SERIES

High Output LED Linear High Bay - Tennis/Sports



CENTER COURT  
**LIGHTING**

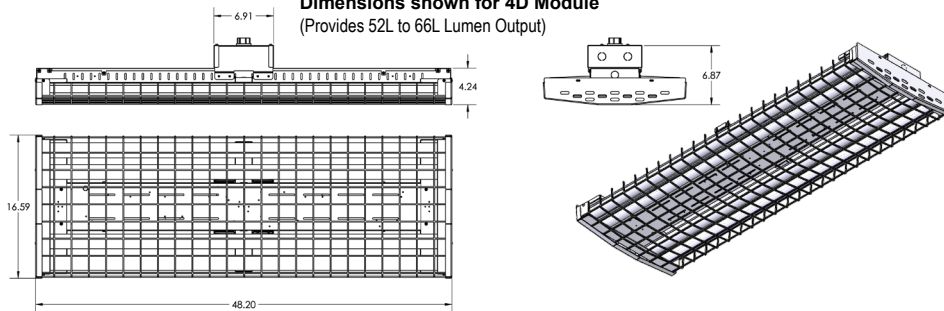
## LUMINAIRE CHARACTERISTICS

Lumen I.D.	Nominal Lumens	# of LED Modules	Delivered Lumens / Very Wide 120° Optics	System Wattage	LPW	Amperage Draw					
						120V	208V	240V	277V	347V	480V
52L	52,000	4D	51,552	346	149.10	2.9	1.7	1.4	1.2	1.0	0.7
54L	54,000	4D	53,776	366	146.80	3.1	1.8	1.5	1.3	1.1	0.8
56L	56,000	4D	56,120	386	145.40	3.2	1.9	1.6	1.4	1.1	0.8
59L	59,000	4D	58,664	407	144.30	3.4	2.0	1.7	1.5	1.2	0.8
61L	61,000	4D	61,200	427	143.30	3.6	2.1	1.8	1.5	1.2	0.9
64L	64,000	4D	63,820	448	142.50	3.7	2.2	1.9	1.6	1.3	0.9
66L	66,000	4D	66,360	467	142.00	3.9	2.2	1.9	1.7	1.3	1.0
70L	70,000	5D	70,150	483	145.40	4.0	2.3	2.0	1.7	1.4	1.0
73L	73,000	5D	73,330	509	144.20	4.2	2.4	2.1	1.8	1.5	1.1
77L	77,000	5D	76,500	534	143.30	4.4	2.6	2.2	1.9	1.5	1.1
80L	80,000	5D	79,775	560	142.50	4.7	2.7	2.3	2.0	1.6	1.2
84L	84,000	6D	84,180	579	145.30	4.8	2.8	2.4	2.1	1.7	1.2
88L	88,000	6D	87,996	610	144.30	5.1	2.9	2.5	2.2	1.8	1.3
92L	92,000	6D	91,800	640	143.40	5.3	3.1	2.7	2.3	1.8	1.3
96L	96,000	6D	95,730	671	142.70	5.6	3.2	2.8	2.4	1.9	1.4

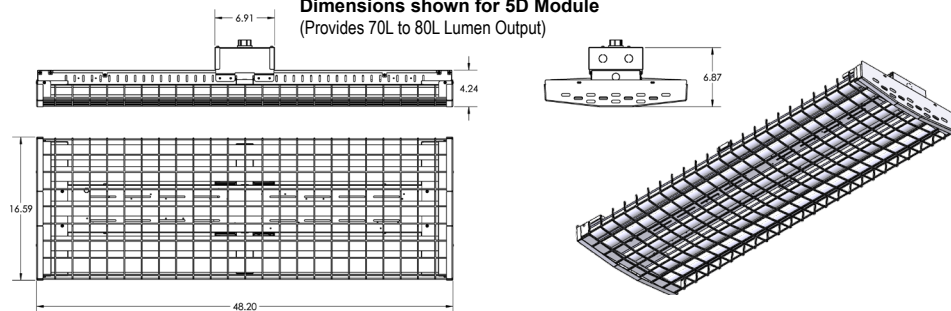
ANSI 4000K & 5000K CCT HOLHxD Performance Data (L70 >50K @ 25°C)

## FIXTURE DIMENSIONS

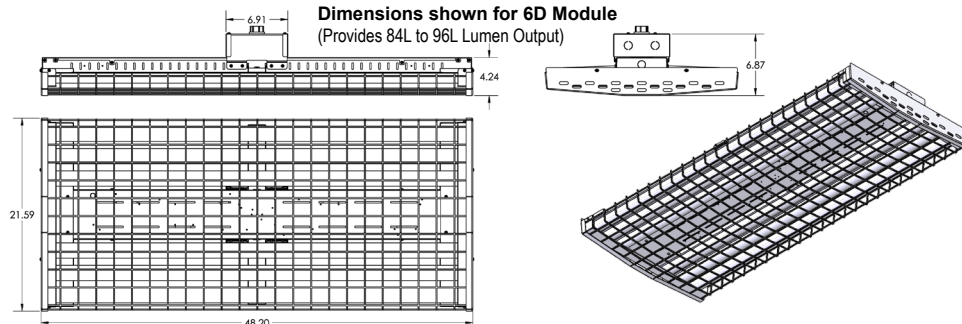
**Dimensions shown for 4D Module**  
(Provides 52L to 66L Lumen Output)



**Dimensions shown for 5D Module**  
(Provides 70L to 80L Lumen Output)



**Dimensions shown for 6D Module**  
(Provides 84L to 96L Lumen Output)



# HOLH SERIES

High Output LED Linear High Bay - Tennis/Sports



CENTER COURT  
LIGHTING

## FIXTURE MOUNT SENSOR

### DIMMING OCCUPANCY SENSORS

#### WOCLEV PIR

Both highbay and lowbay lens are provided with fixture. Highbay lens is factory installed as standard. Lowbay lens must be field installed unless otherwise requested.



ANDROID & IOS  
APP AVAILABLE  
FOR BLUETOOTH  
CONTROLLER



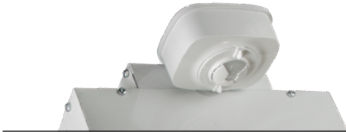
Android



IOS

#### WOCBT PIR

HOLH model  
shown with dimming occupancy  
sensor with bluetooth mesh  
technology



### FEATURES & SPECIFICATIONS

**APPLICATION** — The WOCBT and WOCLEV PIR Fixture Mount High Bay/Low Bay Dimming Occupancy Sensor with Integrated PhotoCell and Two Interchangeable Lenses provides 1-10V control. They both are easy to program and set for desired 1-100% continuous dimming levels during day lighting. Included with the sensor are lenses for high-bay and low-bay applications, allowing one unit to cover a variety of high ceiling areas such as warehouses, manufacturing and other high ceiling applications. The sensors provide reliable coverage up to 40 ft. mounting heights. They also are available in a model for cold storage applications with temperatures as low as -40° F.

**MOUNTING** — The sensors install directly to LED fixture through a standard 1/2" knockout using the provided locknut. Wiring is factory connected inside the fixture body.

#### FEATURES —

- 1-100% continuous dimming control
- Specifically designed for LED fixture control
- Patented AutoCal™ for set-it and forget-it photocell calibration
- Suitable for use in standard and cold storage applications
- Visual RGB LED indicators for device states and easy troubleshooting
- Alternating relay software for increased lamp life
- Interchangeable 360° high bay and low bay lenses included
- Adjustable time delay (no power required)
- Pre-stripped color-coded wire leads
- Quicksnap feature for easy installation
- H.I.S. (High Inrush Stability) Technology
- Zero crossing circuitry
- Robust mechanical latching relay
- Relay always returns to close after power loss event
- UL listed for electronic driver loads 120/277V

## SENSOR LENSES FIELD OF VIEW

### Offset Adaptor Accessory

