

SPORTPOLE - LSMA SERIES

Recreation Light System - LED



CENTER COURT
LIGHTING

SPECIFICATIONS

APPLICATION

The SportPole Series is designed to be used in any application where multiple or singular sports activities are being played and simultaneously require a premium lighting system. The 16' two (2) piece sportpole is optimal for the avid sport enthusiast who requires the ability to "hit the court" at any time, day or night! This poles' versatile sports court applications include; Pickleball, Tennis, Badminton, and Volleyball, which makes this series a perfect fit for the avid sportsperson or host! The sportpole comes standard with our Ultra High Lumen Output Scimitar LED Light, (2 Module Unit) emitting 23,000-45,000 nominal lumens (per fixture) in Cool White color temperature. Comes standard with T4 and T5M optics. Additional optics may be available upon request, consult your sales rep for options or alternate luminaire types that might be available.

CONSTRUCTION

Pole Top: Fabricated from hot rolled carbon steel having a minimum yield of 55,000 PSI and conforms to ASTM-A500 grade C requirements. This section can be combined with the bottom pole section and used to light most homes or small recreational centers. This sectional pole's size makes installation and maintenance easy for anyone without having to rent large specialty equipment.
Pole Bottom: Also composed of carbon steel and finished with a polyester thermosetting powder coat, it will stand up to the toughest weather conditions in your area. Supplied with a pivot anchor base plus bolts, each bottom pole is also drilled for the sporting applications mentioned above. For additional safety, the pivotal anchor base is supplied with two (2) locks to prevent unwarranted tampering and removal of those pivot bolts.

ANCHORAGE

A set of four (4) fully galvanized 3/4" x 18" x 3" anchor bolts are provided standard. Each bolt comes with two (2) galvanized hex nuts and flat washers.

MOUNTING

The pole comes standard with a 2 3/8" OD tenon to accommodate single or double fixture mounting hardware. Fixtures mounted to this tenon can be adjusted vertically as well as left to right. Standard mounting option is a (2AF) 2" Adjustable Slip Fitter. Additional mounting options are available for custom applications.

FINISH

A Super Durable Polyester powder coat finish is applied electrostatically in our state of the art paint facility. Standard colors available: Black, Bronze, US Green, White. Custom colors available upon request.



TV2 (2-3/8" OD)
2 Tennon Square Straight Bull Horn



2AF (Standard)
2" Adjustable Slip Fitter

ORDERING INFORMATION

EXAMPLE: SPORT-LSMA-2-T4-45L-1-BK

SPORT-LSMA	2	T4	45L	1	BK
SERIES	# OF FIXTURES ¹	OPTICS	LUMENS	VOLTAGE	FINISH
	1 Single Fixture : 2-3/8" OD Tenon (T238)	T5M TypeV Medium T4 Type IV	23L (Per Fixture) 25L (Per Fixture) 28L (Per Fixture) 30L (Per Fixture) 33L (Per Fixture) 35L (Per Fixture) 38L (Per Fixture) 40L (Per Fixture) 43L (Per Fixture) 45L (Per Fixture)	1 Multi-Volt ² 2 347-480	BK Black BZ Bronze GR US Green WH White SP Special ³
	2 Double Fixtures : (TV2)				

ACCESSORIES (Order Separately)

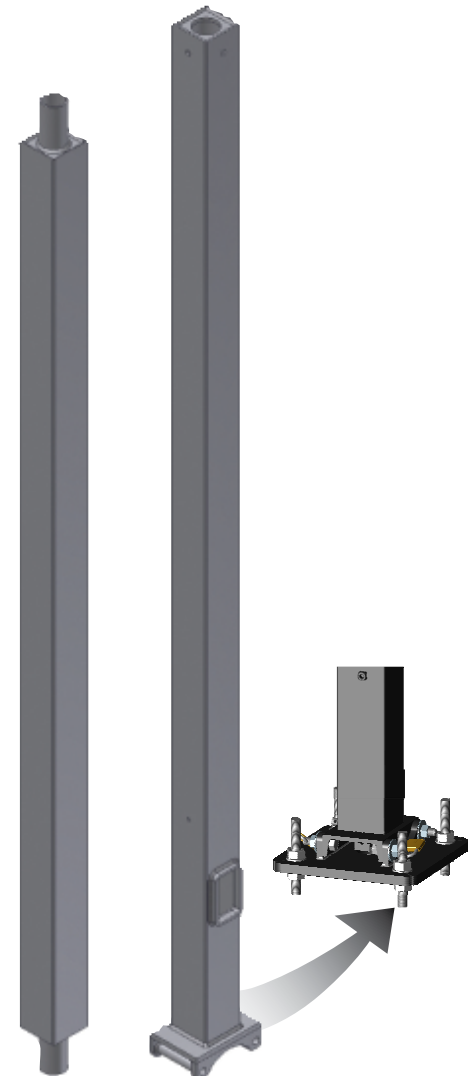
PC2	480V Twist-Lock Photocell
PC7	Multi-Tap (105-285V) Twist-Lock Photocell
S213⁴	Angled Black Light Shield
NET WINCH	Sport Pole Net Winch (Cable Not Included)
TLGFIA	Ground Fault Receptacle
PHH	Additional Hand Hole
KAB3418G125	AB Kit (4) 3/4" x 18" Galv. Bolts and Rigid Template

NOTES

- ¹ = OD Tennon comes standard with both options.
- ² = Multi-Volt is an auto ranging power supply from 100V to 300V input.
- ³ = Custom RAL color matching is available. Contact your sales representative for additional information.
- ⁴ = Order one per LED module. Field installed.

FIXTURE WEIGHTS (APPROX)

Fixture Configuration	2 Module
Weight (lbs)	23 lbs



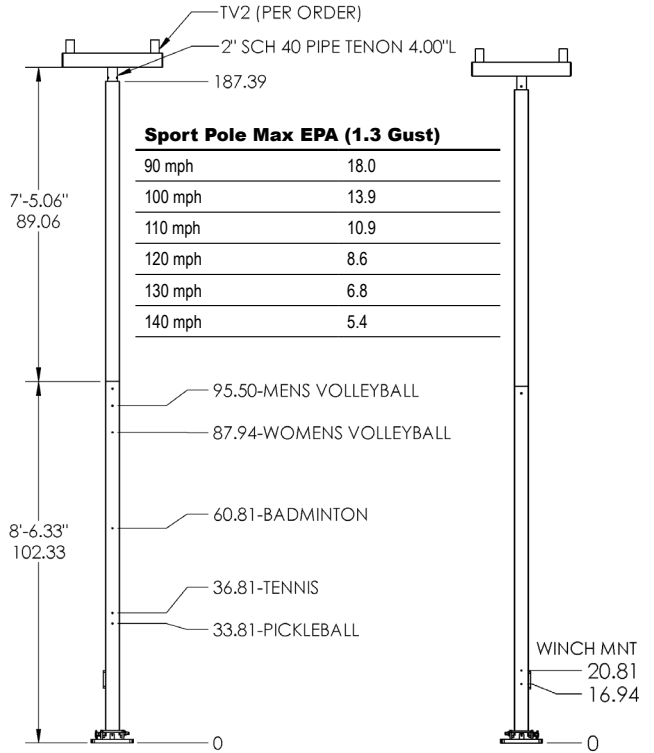
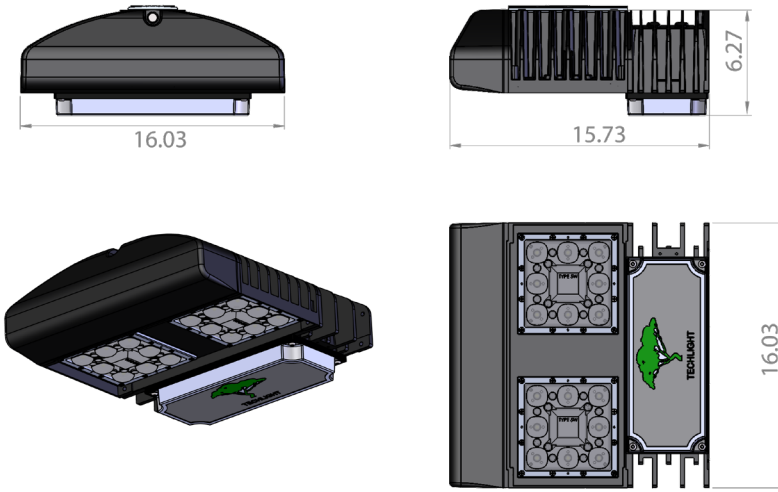
SPORTPOLE - LSMA SERIES

Recreation Light System - LED

DIMENSIONS

2 Module

SportPole (16')



Sport Pole Max EPA (1.3 Gust)

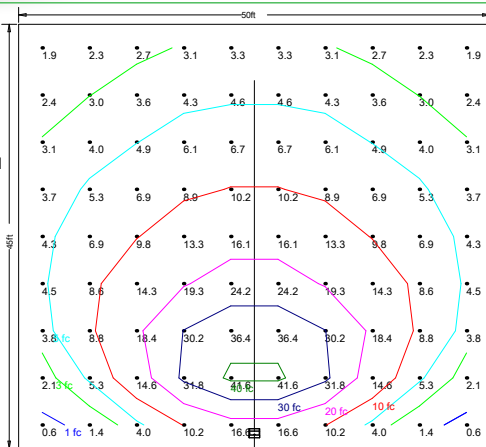
90 mph	18.0
100 mph	13.9
110 mph	10.9
120 mph	8.6
130 mph	6.8
140 mph	5.4

PHOTOMETRICS

IES INDOOR REPORT
PHOTOMETRIC
FILE NAME: (1)
LSMAC45LT5M

(1) Type V Medium Optical
Assembly
2 Module, Cool White

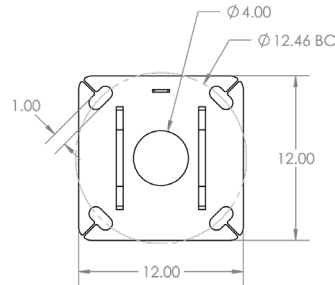
LSMA LED Scimitar Flood
Color Temperature: 5,000 K



FIXTURE WEIGHTS (APPROX)

Fixture Configuration	2 Module
Weight (lbs)	23 lbs

Bolt Circle
(Always measured on the diagonal)



LUMEN CHART

	T5M	T4
23L	23,805 Lm 147W 162 Lm/W B4-U0-G1	23,364 Lm 147W 159 Lm/W B3-U0-G3
25L	25,275 Lm 157W 161 Lm/W B4-U0-G1	24,806 Lm 157W 158 Lm/W B3-U0-G3
28L	27,458 Lm 173W 159 Lm/W B4-U0-G1	27,658 Lm 179W 155 Lm/W B3-U0-G3
30L	30,331 Lm 195W 156 Lm/W B5-U0-G1	29,769 Lm 195W 153 Lm/W B3-U0-G3
33L	32,456 Lm 211W 154 Lm/W B5-U0-G2	32,544 Lm 217W 150 Lm/W B4-U0-G3
35L	35,250 Lm 233W 151 Lm/W B5-U0-G2	35,275 Lm 238W 148 Lm/W B4-U0-G3
38L	37,316 Lm 249W 150 Lm/W B5-U0-G2	37,962 Lm 260W 146 Lm/W B4-U0-G4
40L	40,031 Lm 271W 148 Lm/W B5-U0-G2	39,949 Lm 277W 144 Lm/W B4-U0-G4
43L	42,702 Lm 293W 146 Lm/W B5-U0-G2	42,560 Lm 299W 142 Lm/W B4-U0-G4
45L	45,329 Lm 316W 143 Lm/W B5-U0-G2	45,126 Lm 321W 141 Lm/W B4-U0-G4

AMPERAGE DRAW

Wattage Range	120V Amps	208V Amps	240V Amps	277V Amps	347V Amps	480V Amps
101-150W	1.3	0.7	0.6	0.5	0.4	0.3
151-200W	1.7	1	0.8	0.7	0.6	0.4
201-250W	2.1	1.2	1	0.9	0.7	0.5
251-300W	2.5	1.4	1.3	1.1	0.9	0.6
301-350W	2.9	1.7	1.5	1.3	1	0.7

EPA RATINGS (ft²)

EPA's shown below include both the fixture and the mounting apparatus.

LSMA 2 (Two Module)

	DESCRIPTION	0°	20°	30°	45°	60°	70°	90°
TV2	Two In-Line Tenons	2.2	3.0	3.4	3.9	4.2	4.4	5.1
T238	Single Vertical Tenon	0.7	1.0	1.3	1.5	1.7	1.8	2.1