

SportPole Series

Models: Sport-LSMA, Sport-CTA-M



CENTER COURT
LIGHTING

INSTALLATION INSTRUCTIONS

IMPORTANT: Read before installing fixture.

WARNING:

- Always install fixtures according to National Electrical Code (NEC) and local codes. Failure to do so will void the warranty and could cause damage to the fixture or may result in personal injury.
- To reduce the risk of personal injury or property damage from fire, electric shock, falling parts, cuts/abrasions, and other hazards read all warnings and instructions included with and on the fixture and all fixture labels.
- Commercial installation, service and maintenance of luminaires should be performed by a qualified licensed electrician. For the installation: if you are unsure about the installation or maintenance of the luminaires, consult a qualified licensed electrician and check your local electrical code.
- Turn off electrical power at fuse or circuit breaker before wiring fixture to the power supply.
- Turn off the power when you perform any maintenance.
- All connections should be capped with UL approved wire connectors. Risk of Burn. Disconnect power and allow fixture to cool before handling.
- Verify that supply voltage is correct by comparing it with the luminaire label information.

NOTICE:

- LEDs are high-quality electrical components. Avoid opening lighting fixture and do not touch LED module.

⚠ CAUTION - POLE INSTALLATION

- Consult with local and federal standards before installation to ensure pole is appropriate for the intended installation location.
- Do not install in hazardous or classified locations, including locations with vibrations deleterious to the pole.
- Ensure pole is grounded in accordance with the National Electrical Safety Code and applicable local codes and ordinances.

⚠ CAUTION - POLE STORAGE

- If storage is required, poles must be protected from moisture. It is recommended that at least 6" be maintained between the ground and poles.
- Poles should be supported with supporting blocking with no larger spacing than 10ft apart, to prevent the poles from bowing while stored.

⚠ WARNING - RISK OF ELECTRIC SHOCK

- Disconnect/turn off power before installation or servicing.
- Make sure the supply voltage is the same as the rated luminaire voltage
- Make all electrical and grounded connections in accordance with the National Electrical Code (NEC) and any applicable local code requirements.
- All wiring connections should be capped with UL approved recognized wire connectors.

⚠ WARNING - RISK OF BURN

- Allow fixture to cool before handling. Do not touch enclosure or light source.
- Do not exceed maximum wattage marked on luminaire label.
- Follow all manufacturer's warnings, recommendations and restrictions for: driver type, burning position, mounting locations/methods, replacement and recycling.

⚠ CAUTION - RISK OF INJURY

- Wear gloves and safety glasses at all times when removing luminaire from carton, installing, servicing or performing maintenance.
- Avoid direct eye exposure to the light source while it is on.

⚠ CAUTION - RISK OF FIRE

- Keep combustible and other materials that can burn, away from lamp/lens.
- Do not operate in close proximity to persons, combustible materials or substances affected by heat or drying.

SportPole Series

Models: Sport-LSMA, Sport-CTA-M

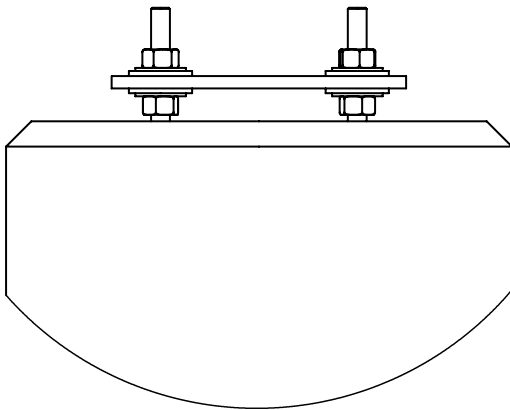


CENTER COURT
LIGHTING

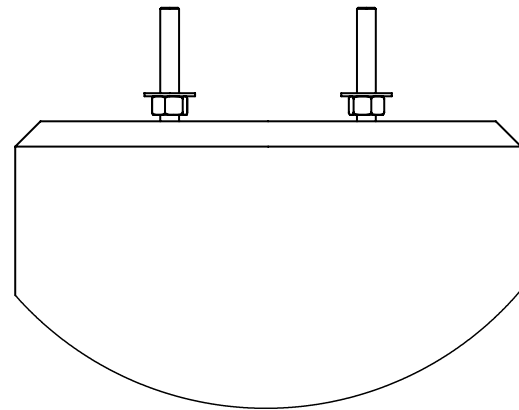
POLE INSTALLATION:

TURN OFF POWER FROM MAIN CIRCUIT BREAKER

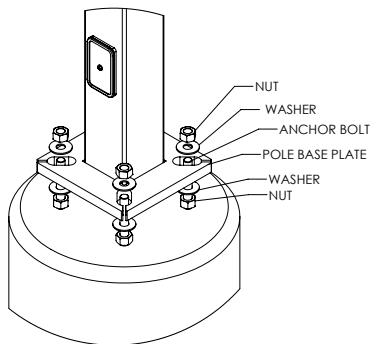
1. Pour concrete and set anchor bolts into concrete using the supplied rigid template.



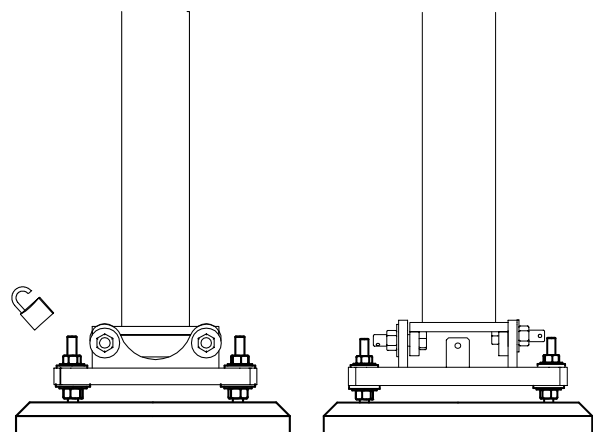
2. Once concrete is set, remove top nuts and washers. Remove rigid template, and ensure that the anchor bolts are securely set into the foundation.



3. Position the bottom portion of the Sport Pole on to the anchor bolts. Pull leads through the bottom of the pole, and out of the hand hole. Secure in place and ensure pole is secured. Leveling may be required to ensure pole is completely flat and straight.



4. Remove locks and set aside. This will allow access to the 18-8, 5/8"-11 pivot bolts. Undo and remove one bolt from each side. Loosen the other two. This will allow pole to swing down.



SportPole Series

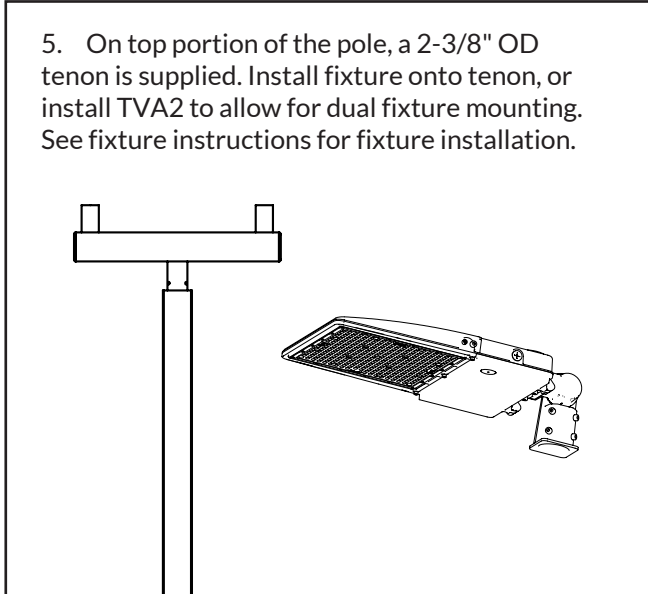
Models: Sport-LSMA, Sport-CTA-M



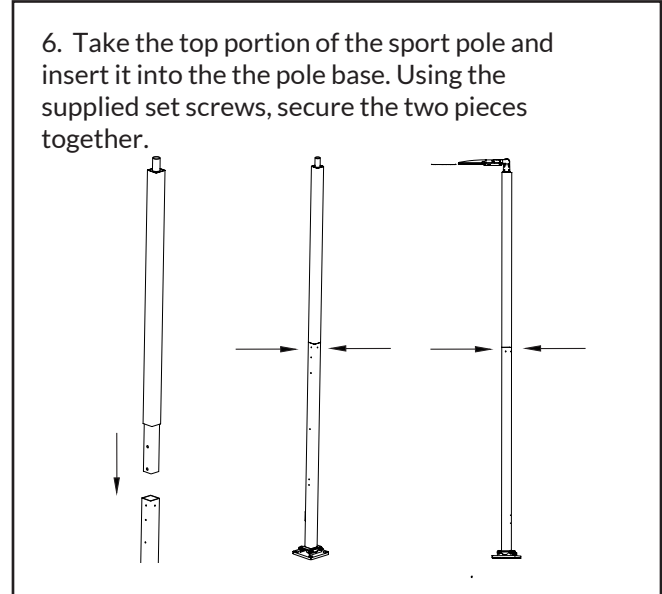
CENTER COURT
LIGHTING

POLE INSTALLATION (continued):

5. On top portion of the pole, a 2-3/8" OD tenon is supplied. Install fixture onto tenon, or install TVA2 to allow for dual fixture mounting. See fixture instructions for fixture installation.

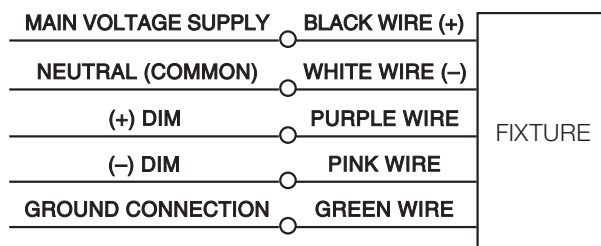


6. Take the top portion of the sport pole and insert it into the pole base. Using the supplied set screws, secure the two pieces together.



7. Make supply and ground connections according to wiring diagram using wire nuts (supplied by others). Tuck wire nut connections into hand hole.

WIRING DIAGRAM



8. Once fixture connection is made, swing pole up. Re-install the 18-8, 5/8"-11 pivot bolts. Replace lock to secure pole from tampering.

