

SPORTPOLE - CTA COURT ACE SERIES

Recreation Light
System - LED



CENTER COURT
LIGHTING

SPECIFICATIONS

APPLICATION

The SportPole Series is designed to be used in any application where multiple or singular sports activities are being played and simultaneously require a premium lighting system. The 16' two (2) piece sportpole is optimal for the avid sport enthusiast who requires the ability to "hit the court" at any time, day or night! This poles' versatile sports court applications include; Pickleball, Tennis, Badminton, and Volleyball, which makes this series a perfect fit for the avid sportsperson or host! The sportpole comes standard with our Medium Size Court Ace - High Lumen Output LED Light, emitting 31,000 to 39,000 nominal lumens (per fixture) in Cool White color temperature. The C20, 20' STW 16/3 cord, is factory installed standard. Comes standard with T4 and T5 optics. Additional optics may be available upon request, consult your sales rep for options or alternate luminaire types that might be available.

CONSTRUCTION

Pole Top: Fabricated from hot rolled carbon steel having a minimum yield of 55,000 PSI and conforms to ASTM-A500 grade C requirements. This section can be combined with the bottom pole section and used to light most homes or small recreational centers. This sectional pole's size makes installation and maintenance easy for anyone without having to rent large specialty equipment.
Pole Bottom: Also composed of carbon steel and finished with a polyester thermosetting powder coat, it will stand up to the toughest weather conditions in your area. Supplied with a pivot anchor base plus bolts, each bottom pole is also drilled for the sporting applications mentioned above. For additional safety, the pivotal anchor base is supplied with two (2) locks to prevent unwarranted tampering and removal of those pivot bolts.

ANCHORAGE

A set of four (4) fully galvanized 3/4" x 18" x 3" anchor bolts are provided standard. Each bolt comes with two (2) galvanized hex nuts and flat washers.

MOUNTING

The pole comes standard with a 2 3/8" OD tenon to accommodate single or double fixture mounting hardware. Fixtures mounted to this tenon can be adjusted vertically as well as left to right. Standard mounting option is a (CTA 2AF) Adjustable Slip Fitter. Additional mounting options are available for custom applications.

FINISH

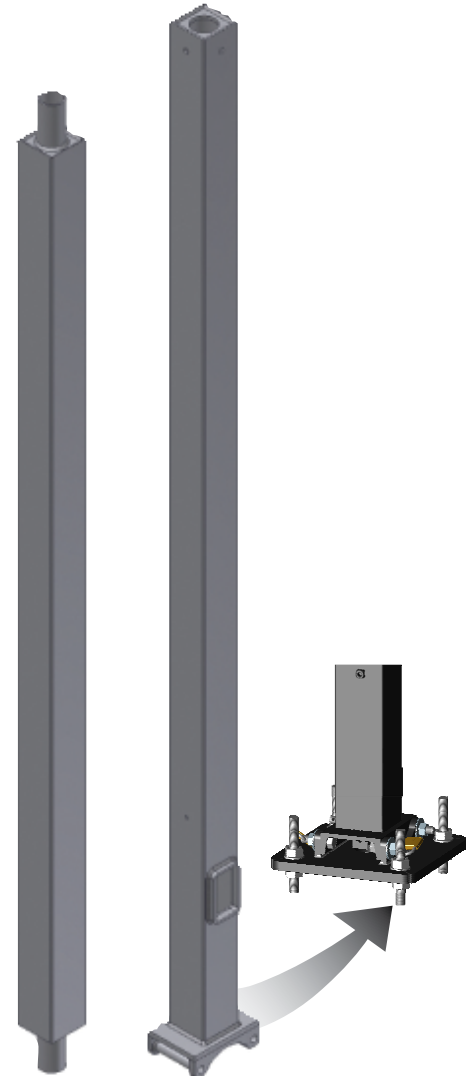
A Super Durable Polyester powder coat finish is applied electrostatically in our state of the art paint facility. Standard colors available: Bronze. Custom colors available upon request.



TV2 (2-3/8" OD)
2 Tennon Square Straight Bull Horn



CTA 2AF
Slip Fitter



ORDERING INFORMATION

EXAMPLE: **SPORT-CTA-M-2-T4-39L-1-BZ**

SPORT-CTA-M	2	T4	39L	1	BZ
SERIES	# OF FIXTURES ¹	OPTICS	LUMENS	VOLTAGE	FINISH
	1 Single Fixtrue : 2-3/8" OD Tenon (T238)	T5 TypeV T4 Type IV	31L (Per Fixture) 39L (Per Fixture)	1 Multi-Volt ² 2 347-480	BZ Bronze BK Black WH White
	2 Double Fixtures : (TV2)				

ACCESSORIES (Order Separately)

S260BZ	House Side Shield for 31L - 39L
PC2	347-480V Twist-Lock Photocell
PC7	Multi-Tap (105-285V) Twist-Lock Photocell
PSJ163-600	16 Gauge 3 Strand Lead Wire (color coded)
NET WINCH	Sport Pole Net Winch (Cable Not Included)
TLGFIA	Ground Fault Receptacle
PHH	Additional Hand Hole
KAB3418G125	AB Kit (4) 3/4" x 18" Galv. Bolts and Rigid Template
C20	20' STW 16/3 cord (Factory installed standard)

NOTES

- ¹ = OD Tennon comes standard with both options.
² = Multi-Volt is an auto ranging power supply from 100V to 300V input.

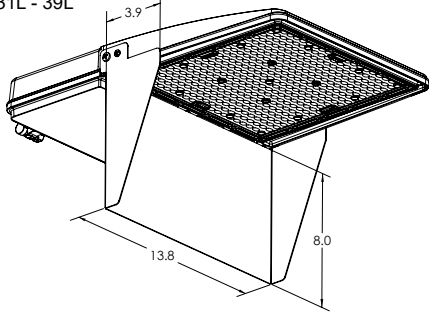
SPORTPOLE - COURT ACE SERIES

Recreation Light System - LED

DIMENSIONS

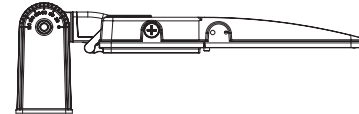
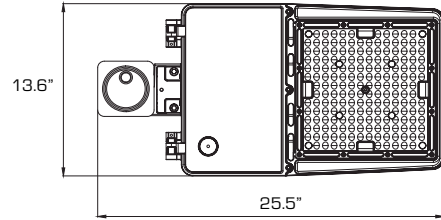
S260BZ

House Side Shield for 31L - 39L



CTA 2AF

Slipfitter Mount



LUMINAIRE CHARACTERISTICS

Type IV Optic	Output ID	Nominal Lumens	5000K		
			System Lumens	System Watts	Lm/W
			BUG Rating		
31L	31,000	31,442	228	138	
			B4-U0-G4		
39L	39,000	38,726	288	134	
			B4-U0-G5		

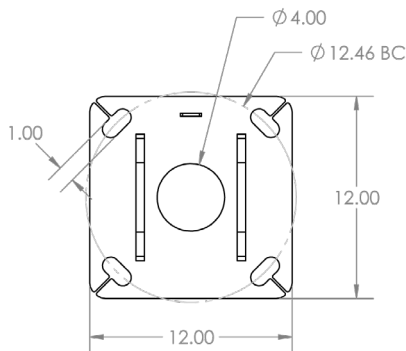
Type V Optic	Output ID	Nominal Lumens	5000K		
			System Lumens	System Watts	Lm/W
			BUG Rating		
31L	31,000	31,601	228	139	
			B5-U0-G1		
39L	39,000	39,043	288	136	
			B5-U0-G2		

AMPERAGE DRAW

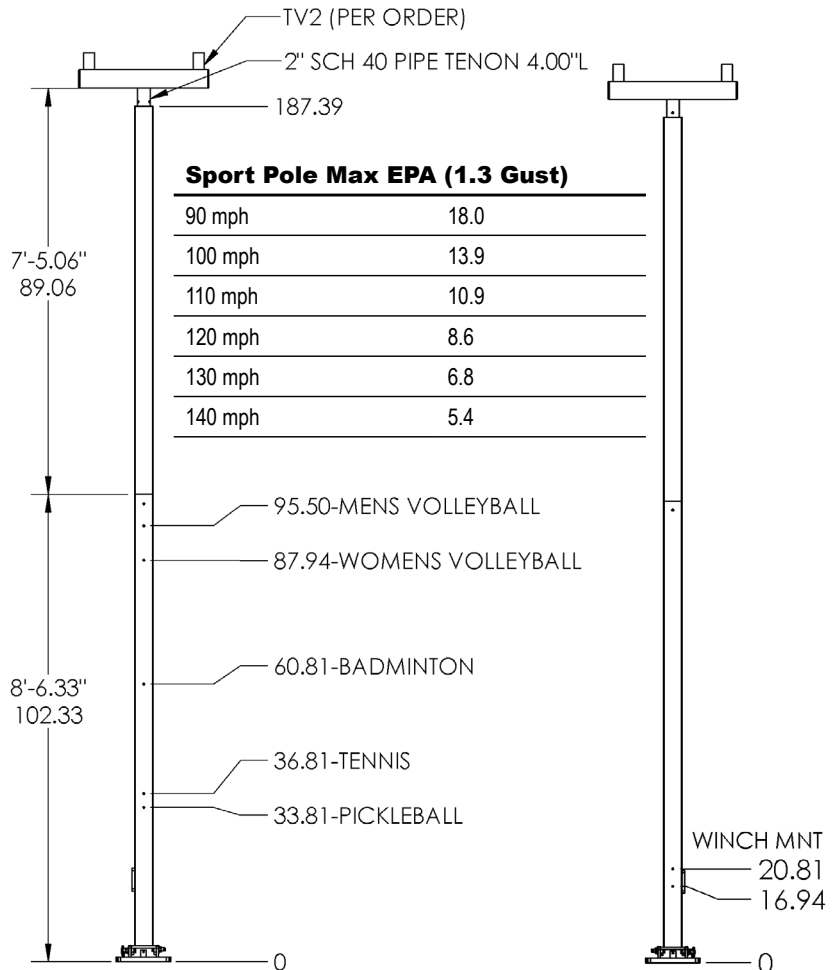
Wattage	120V Amps	208V Amps	240V Amps	277V Amps	347V Amps	480V Amps
228	1.90	1.10	0.95	0.82	0.66	0.48
288	2.40	1.38	1.20	1.04	0.83	0.60

Bolt Circle

(Always measured on the diagonal)



SportPole (16')



Sport Pole Max EPA (1.3 Gust)

90 mph	18.0
100 mph	13.9
110 mph	10.9
120 mph	8.6
130 mph	6.8
140 mph	5.4

EPA RATINGS (ft²)

EPA's shown below include both the fixture and the mounting apparatus.

	DESCRIPTION	0°	20°	30°	45°	60°
TV2	Two In-Line Tenons	1.60	2.40	3.00	3.70	4.30
T238	Single Fixture	0.50	0.90	1.20	1.50	1.80