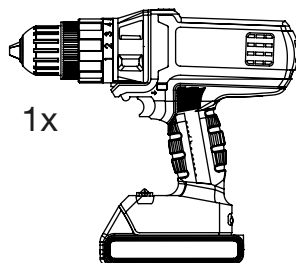
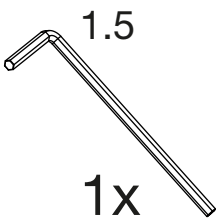
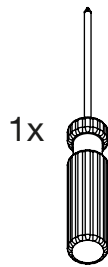
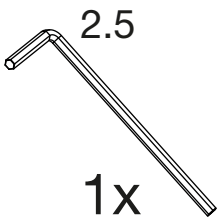


**Vistosi**



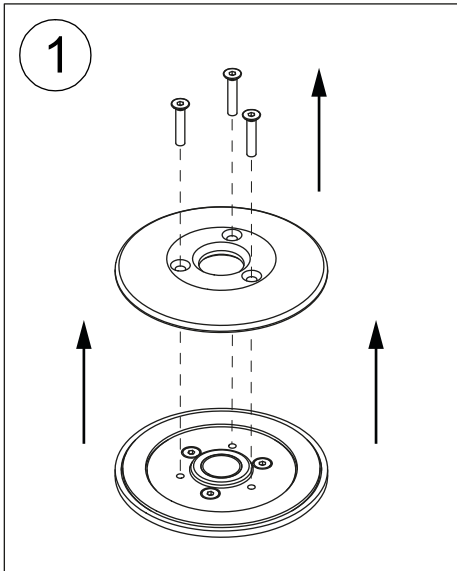
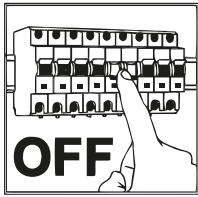
Vetzeria Vistosi Srl · Via G. Galilei, 9-9/A-11 · 31021 Mogliano V.to · Treviso · Italy  
 P. Iva IT02497840278 · Cap. Soc. € 100.000,00 I.V. · N° R.E.A. TV - 170728  
 Cod. Fisc. - P.I. N° 01808840266 · Iscr. Reg. AEE N° IT08010000000170  
 Tel. +39 041 5900170 - 041 5903480 · Fax +39 041 5900992 - 041 5904540  
 vetrieravistosi@legalmail.it · www.vistosi.it · vistosi@vistosi.it

## Tools - Attrezzi

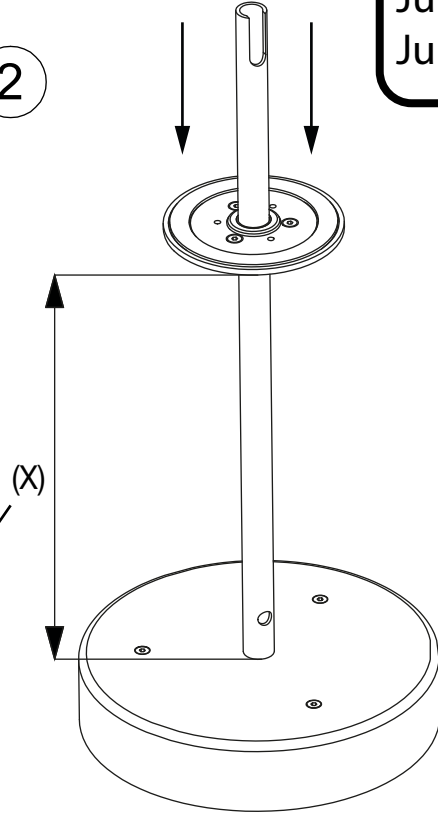


## Step 1

Jube SP G  
 Jube SP P  
 Jube SP 1G  
 Jube SP 1P

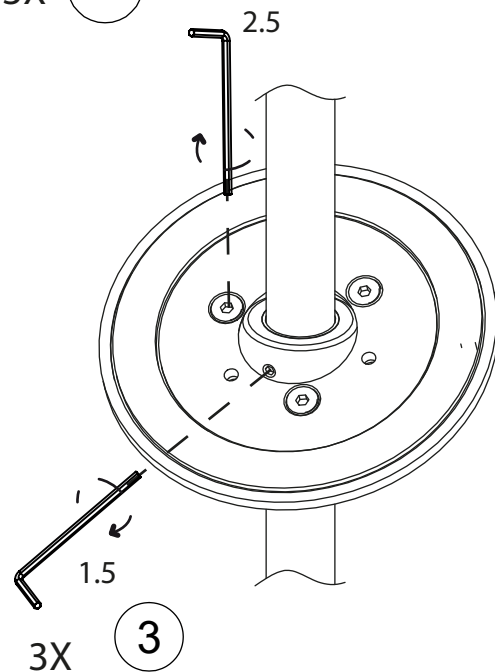


2



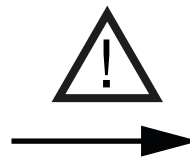
|  |   |
|--|---|
|  | <b>Jube SP G</b><br>X=100mm (4 INCHES)    |
|  | <b>Jube SP 1G</b><br>X=90mm (3.5 INCHES)  |
|  | <b>Jube SP P</b><br>X=185mm (7.2 INCHES)  |
|  | <b>Jube SP 1P</b><br>X=160mm (6.3 INCHES) |
|  | <b>Jube SP S</b><br>X=104mm (4.1 INCHES)  |

3X 4



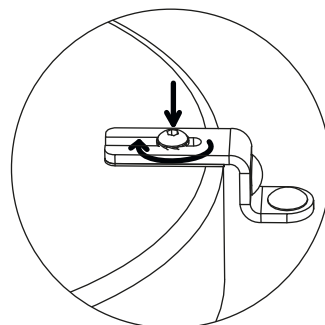
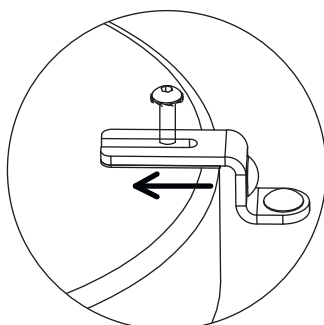
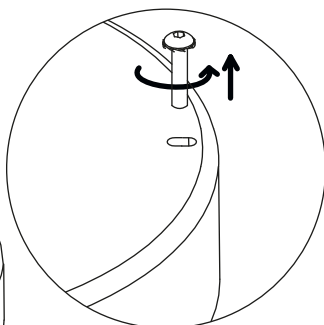
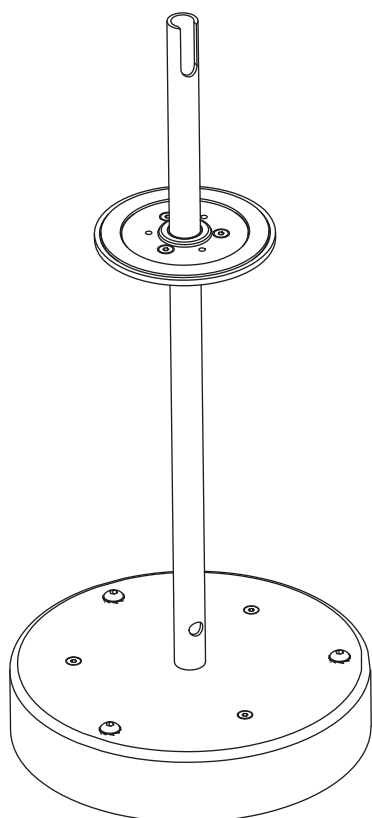
3

5

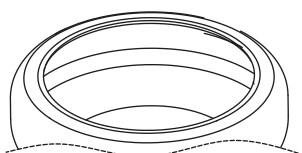
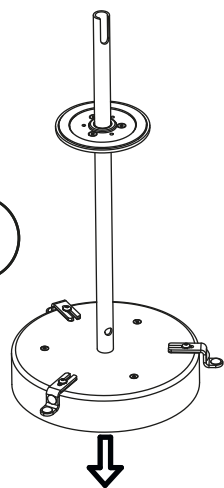


**Step 2**  
 Jube SP G  
 Jube SP P

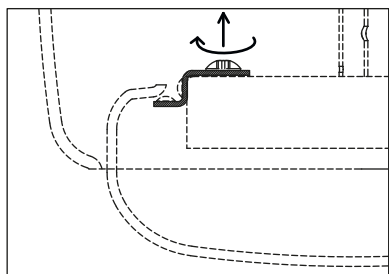
3 X



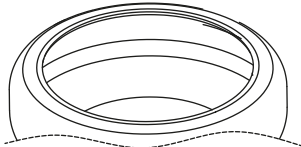
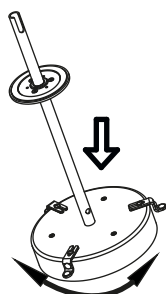
A



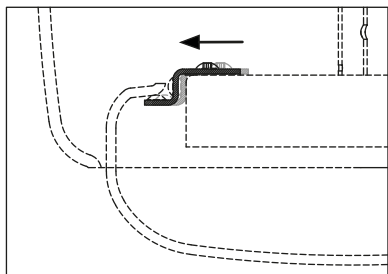
D



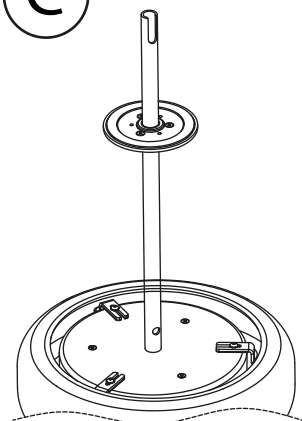
B



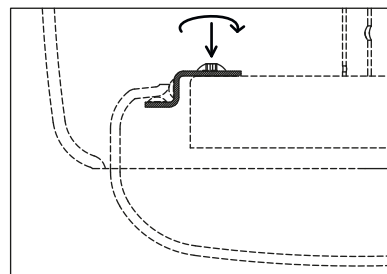
E



C



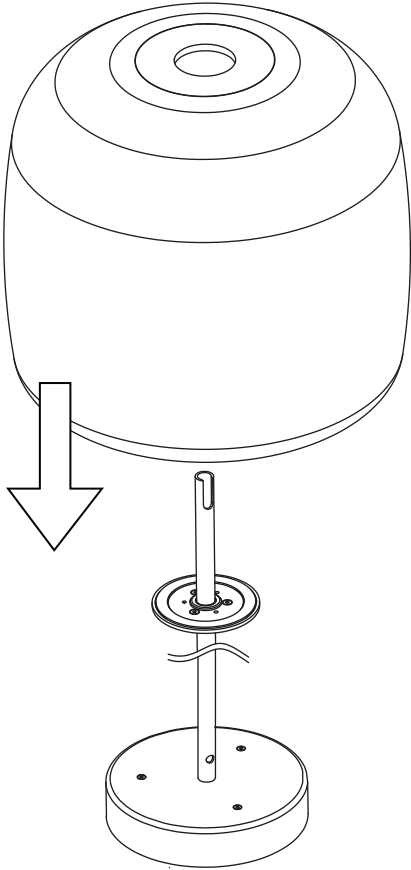
F



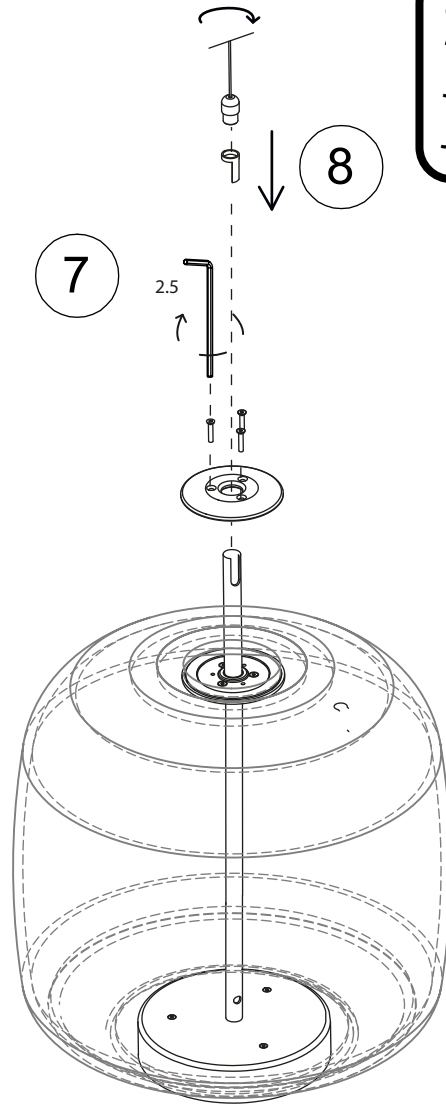
## Step 3

Jube SP 1 G  
Jube SP 1 P

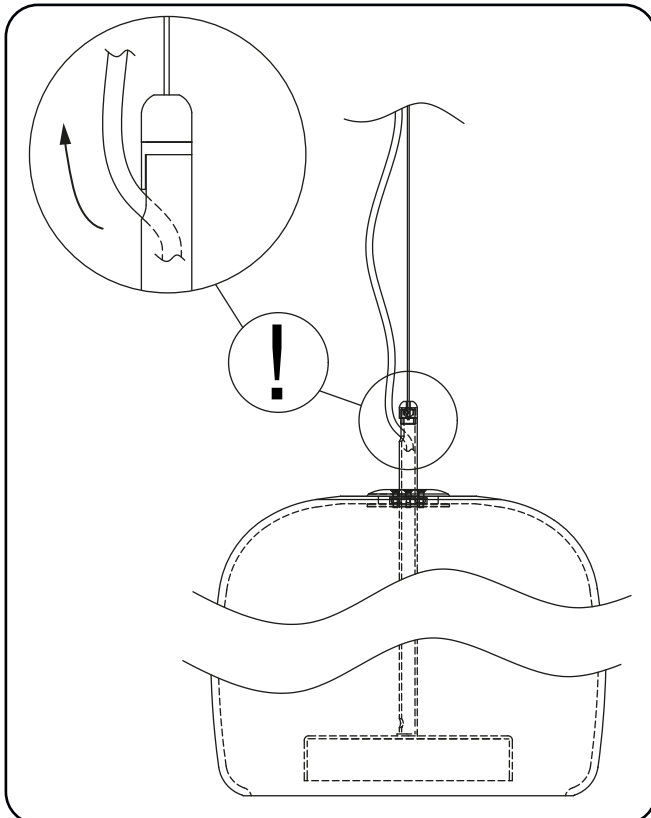
6



7



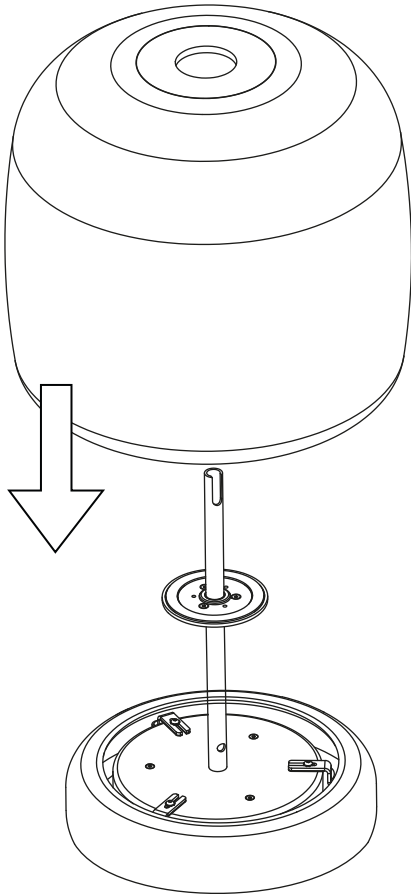
8



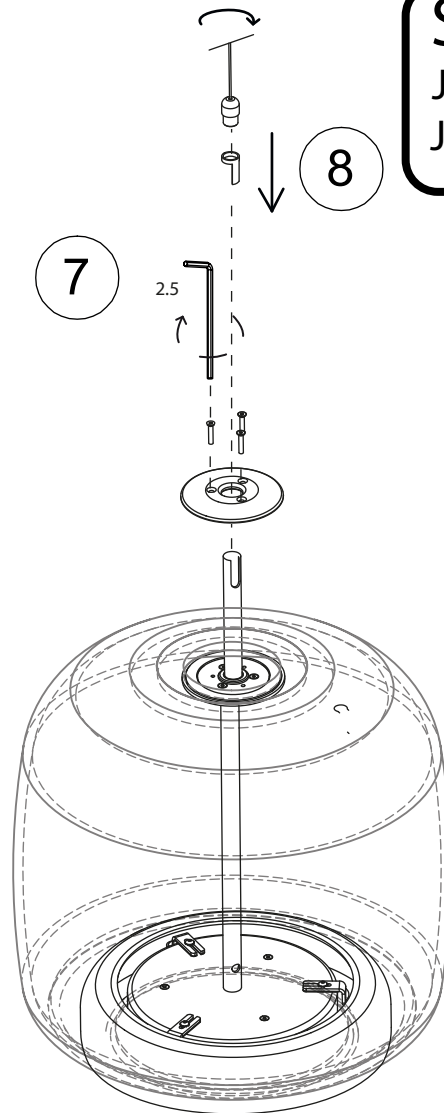
## Step 3

Jube SP G  
Jube SP P

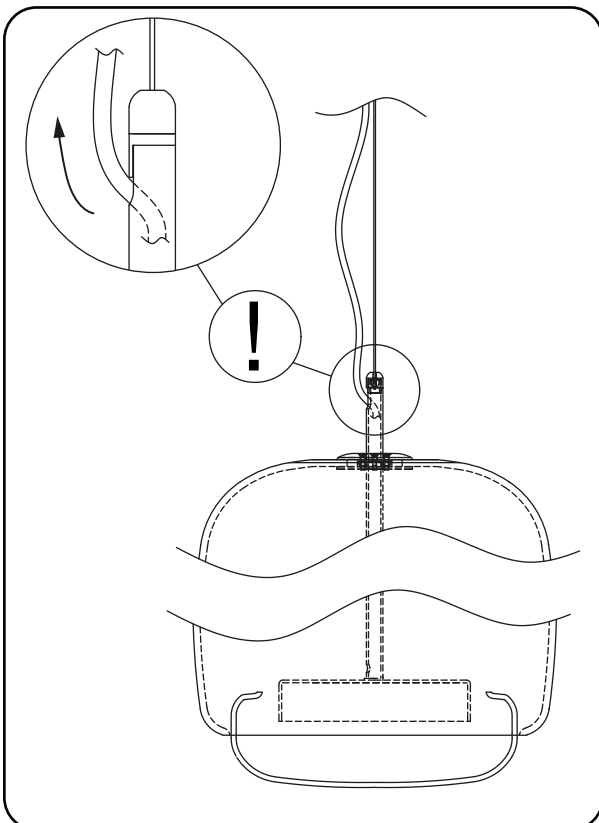
6



7

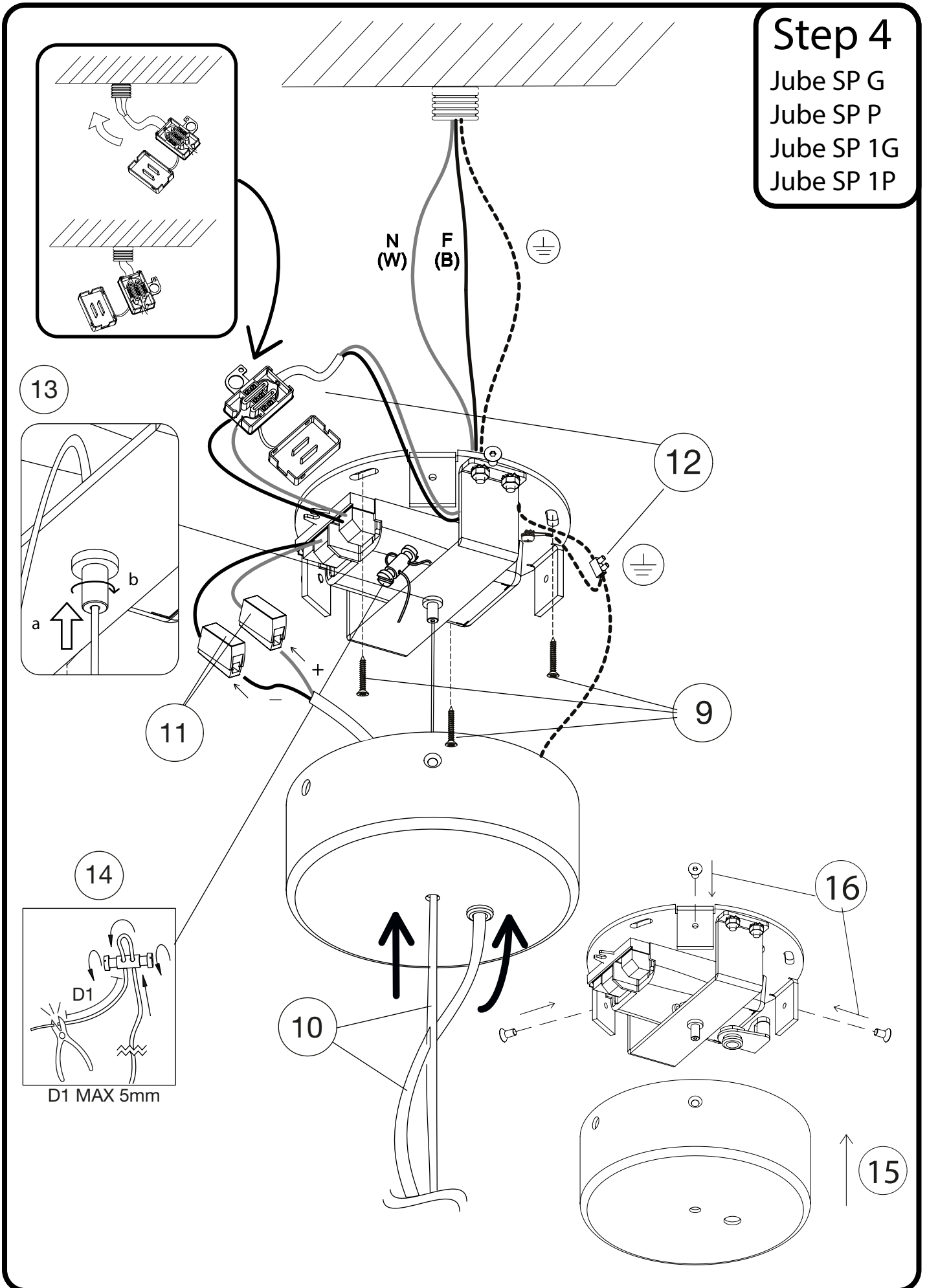


8

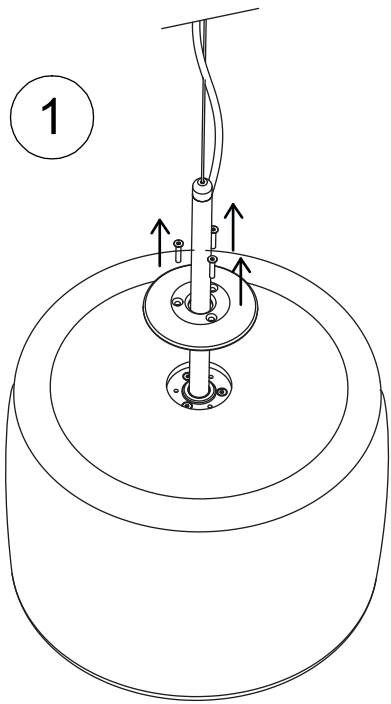


## Step 4

Jube SP G  
 Jube SP P  
 Jube SP 1G  
 Jube SP 1P



**Step 5**  
 Jube SP G  
 Jube SP P

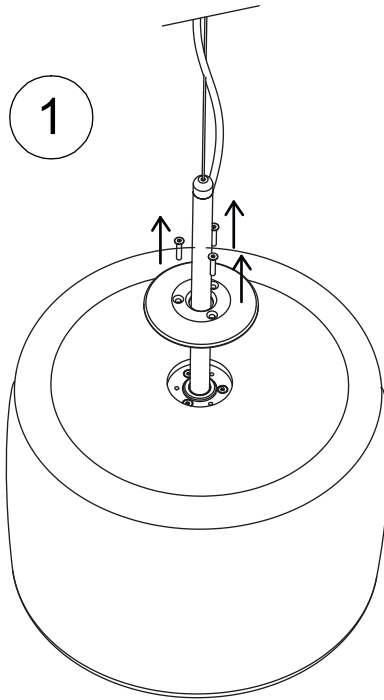


2

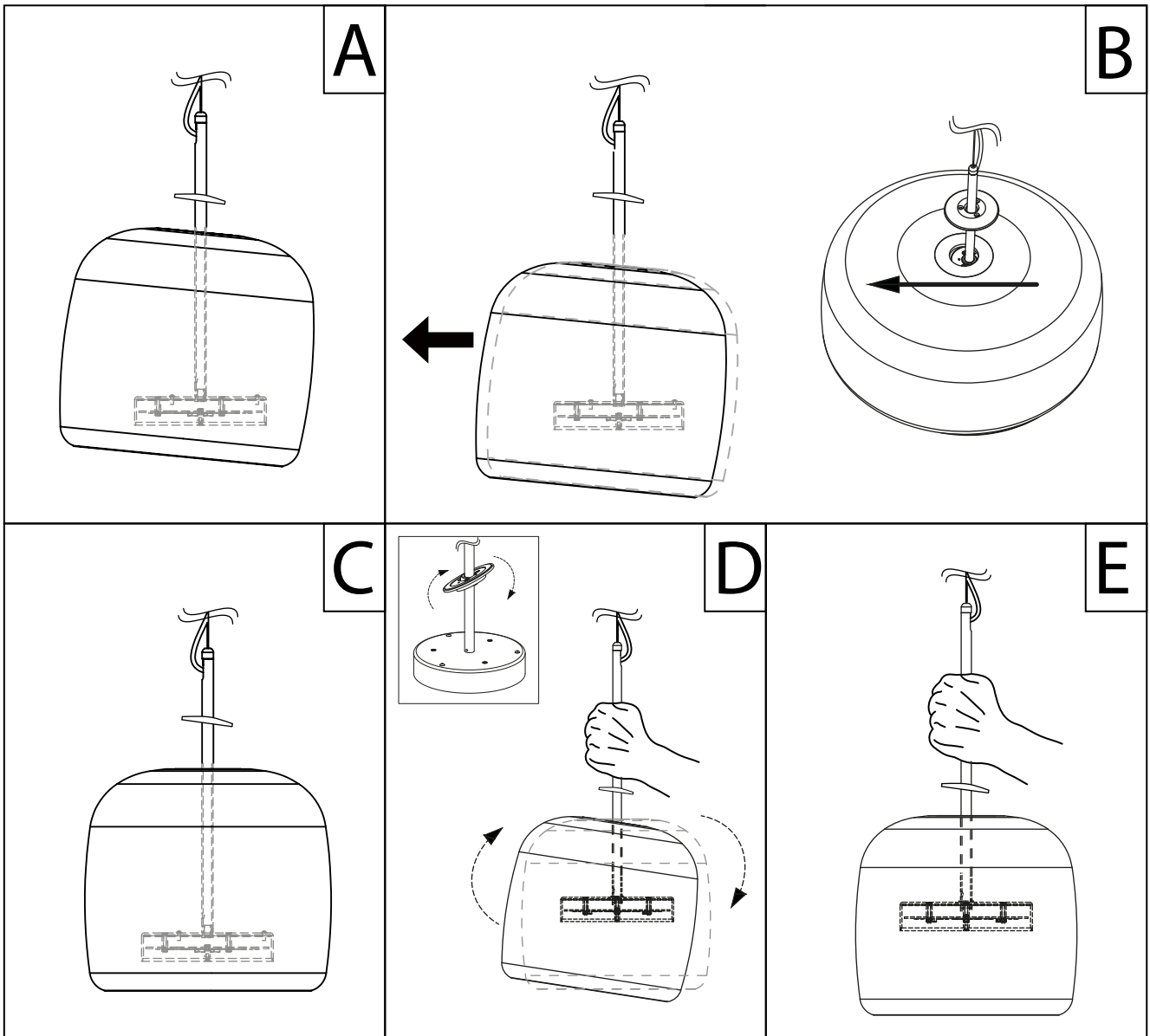
|                 |                 |
|-----------------|-----------------|
| <p><b>A</b></p> | <p><b>B</b></p> |
| <p><b>C</b></p> | <p><b>D</b></p> |
| <p><b>E</b></p> |                 |

## Step 5

Jube SP G1  
Jube SP P1



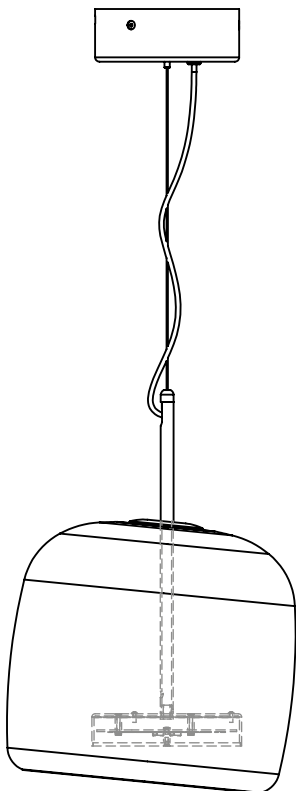
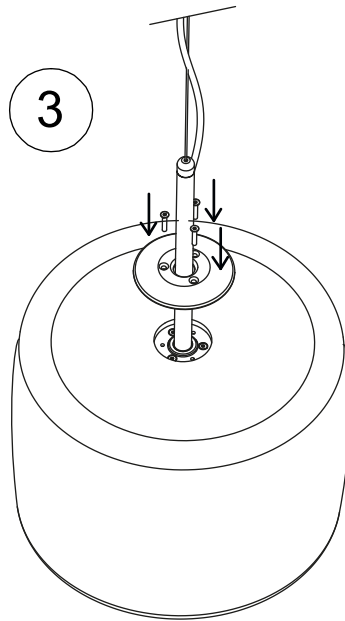
2



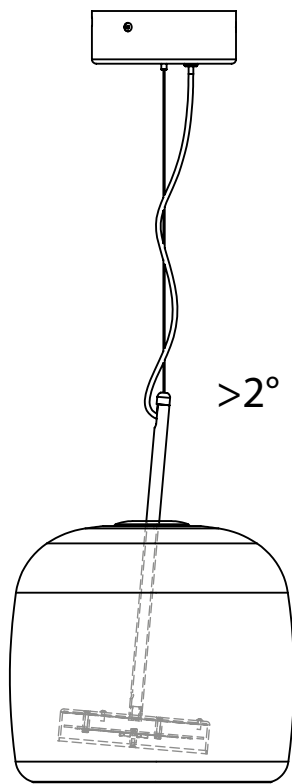


### Step 6

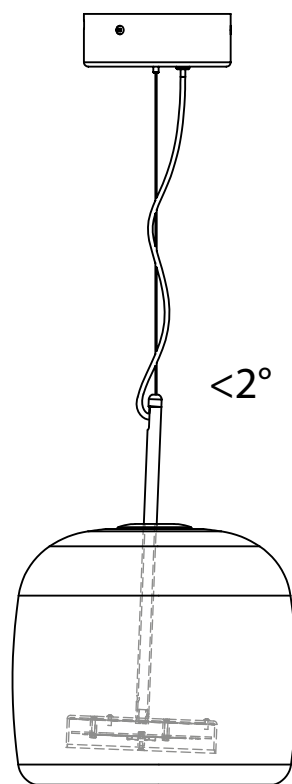
Jube SP G  
Jube SP P  
Jube SP 1G  
Jube SP 1P



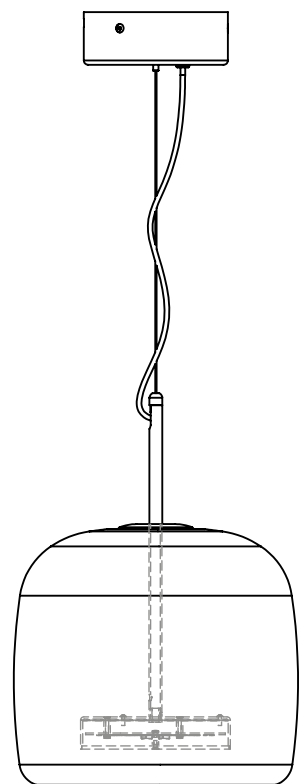
NO



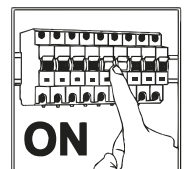
NO



OK



OK



## D1-D2

