

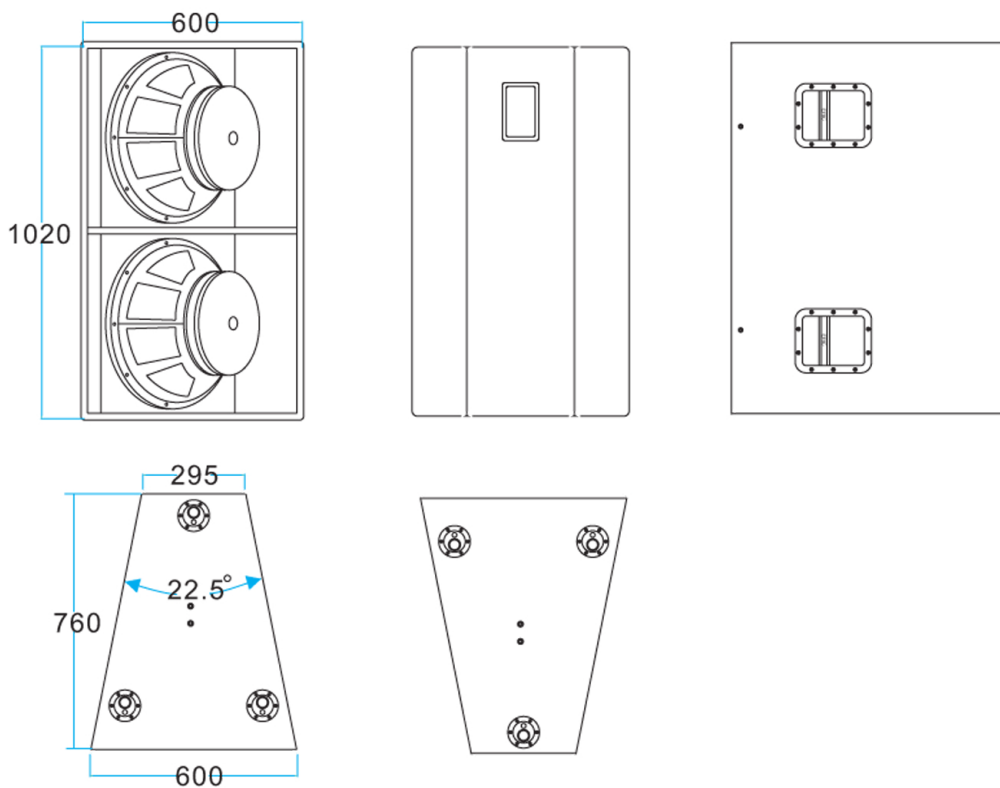
Description

The CS1B is a 4800W subwoofer loudspeaker system that combines the attributes of both horn-loaded and vented box designs. The CS1B's design utilizes the unique double sub scoop. The cabinet is constructed with two 18" (5" V.C.) woofers, as used in line-array concert systems. The design behaves like a horn over much of its range, but without the time delay and weight problems usually associated with conventional designs. Vented-box principles take over for the lowest octave and assist in producing exceptionally high levels of clean, punchy bass from a modest-sized box. The reverse woofer orientation has been used to optimize the rear chamber volume and decrease the horn flare rate for extended low-end performance.



Features

- Dual 18" Passive Subwoofer
- 4800W Peak Power
- High SPL 140dB
- NEUTRIK NL8 In/Out Neutrik Connectors
- Side Steel Handles
- 36Hz-300Hz (-3dB) frequency response
- Load Certified Flying Points
- Solid Birchwood enclosure structurally wooden reinforced



Specifications

Acoustic Specifications

FREQUENCY RESPONSE:
32Hz-400Hz (-10dB)
36Hz-300Hz (-3dB)

MAX SPL:
140 DB

Power Section

NOMINAL IMPEDANCE:
4 OHM

CROSSOVER POINT:
30Hz-120Hz, -24dB/oct

PEAK POWER HANDLING:
4800W

PROGRAM POWER HANDLING:
2400W

Transducers

LOW FREQUENCY:
2 x 18 INCH, 5-INCH VOICE COIL

Input / Output Section

INPUT CONNECTORS:
NEUTRIK® SPEAKON NL8

OUTPUT CONNECTORS:
NEUTRIK® SPEAKON NL8

Construction

COLOR:
BLACK POLYURETHANE PAINT

RIGGING:
LOAD CERTIFIED FLYING POINTS

HANDLES:
SIDE HEAVY DUTY STEEL RECESSED

GRILLE:
STEEL WITH ACOUSTIC FOAM

CABINET MATERIAL:
18MM BIRCH PLYWOOD

Dimensions

WIDTH:
23.6 INCH / 600 mm

WEIGHT:
190 LB / 86 KG

DEPTH:
30 INCH / 760 mm

HEIGHT:
40.2 INCH / 1020 mm

