

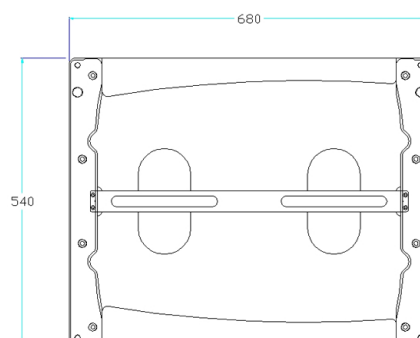
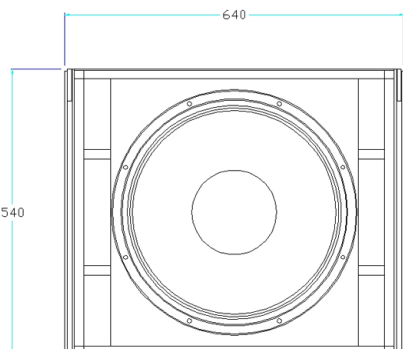
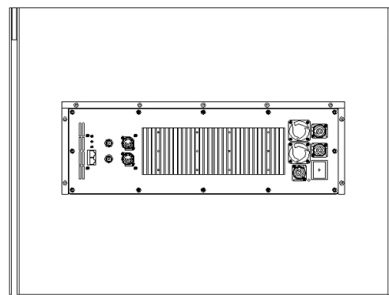
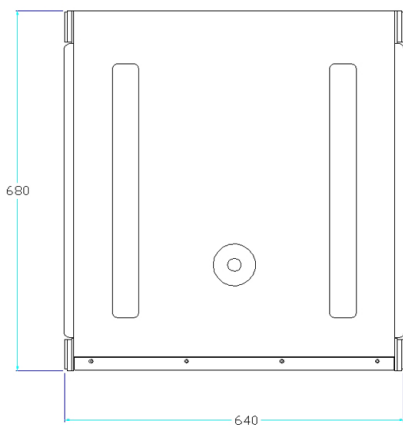
Description

The CORE 8218SA is an 18" active subwoofer system. The CORE 8218SA features a one channel, 1500W, Class D amplifier that is specifically designed to power its corresponding passive cabinet, the CORE 8218SP, but can be used in a full active line array setup if required or preferred. The CORE 8218SA is compact, lightweight and can be flown or ground-stacked and possesses high output capability with low-frequency extension. It contains a single Ultra-long 18" / 4" V.C. woofer is front-loaded and the rear of the low-frequency driver is reflex loaded to extend the low-frequency output to below the natural cut off point. The proprietary rigging system of the CORE8218SA is directly compatible with the CORE 82A, CORE 82P ad CORE 8218SP. Each enclosure is constructed with a threaded pole-mount socket on the top of each cabinet for use with the CORE82-BPSYS pole-mount and bracket system. The CORE 8218SA also features the latest digital signal processor and the NUCLEUS FIR by Sound Barrier™ Loudspeaker Management Software.



Features

- 3000 WATT Peak Power - 1500W RMS
- 131dB MAX SPL
- 32Hz-30Hz frequency response
- 1 x 18" Woofer, 4" Voice Coil
- DSP controlled Input section with selectable presets
- Tour grade safe and solid variable mechanics
- Designed to complement the CORE82
- Designed to power CORE8218SP
- Solid Birchwood enclosure structurally wooden reinforced



Specifications

Acoustic Specifications

FREQUENCY RESPONSE:
32Hz-300Hz

MAX SPL:
131 DB

Transducers

LOW FREQUENCY:
1 x 18 INCH, 4-INCH VOICE COIL, NEODYMIUM MAGNET

Input / Output Section

INPUT SIGNAL:
XLR
NUCLEUS FIR RJ45 ETHERNET

OUTPUT CONNECTORS:
XLR LOOP
NUCLEUS FIR RJ45 ETHERNET
NEUTRIK® SPEAKON NL4

Processor Section

CROSSOVER FREQUENCIES:
30Hz, 96Hz -24dB / OCT

PROTECTION:
OVER-HEAT,
CLIP / LIMITER WITH GAIN REDUCTION

NUCLEUS FIR:
YES

CONTROLS:
INPUT GAIN
8 DSP PRESETS

Power Section

TOTAL POWER HANDLING:
3000W PEAK, 1500W RMS

OPERATIONAL VOLTAGE:
UNIVERSAL MAINS, 85-268V

COOLING:
CONVECTION AND FAN VENT

CONNECTIONS:
POWERCON IN / OUT

Standard Compliance

CE MARKING:
YES

FCC MARKING:
YES

UL MARKING:
YES

Construction

COLOR:
BLACK POLYURETHANE PAINT

HANDLES:
FOUR SIDE

CABINET MATERIAL:
BIRCH PLYWOOD

RIGGING:
FAST INTEGRAL RIGGING
MAGNETIC PINS
POLE-MOUNT SOCKET

GRILLE:
STEEL WITH ACOUSTIC FOAM

ACCESSORIES:
AMPLIFIER RAIN COVER

Dimensions

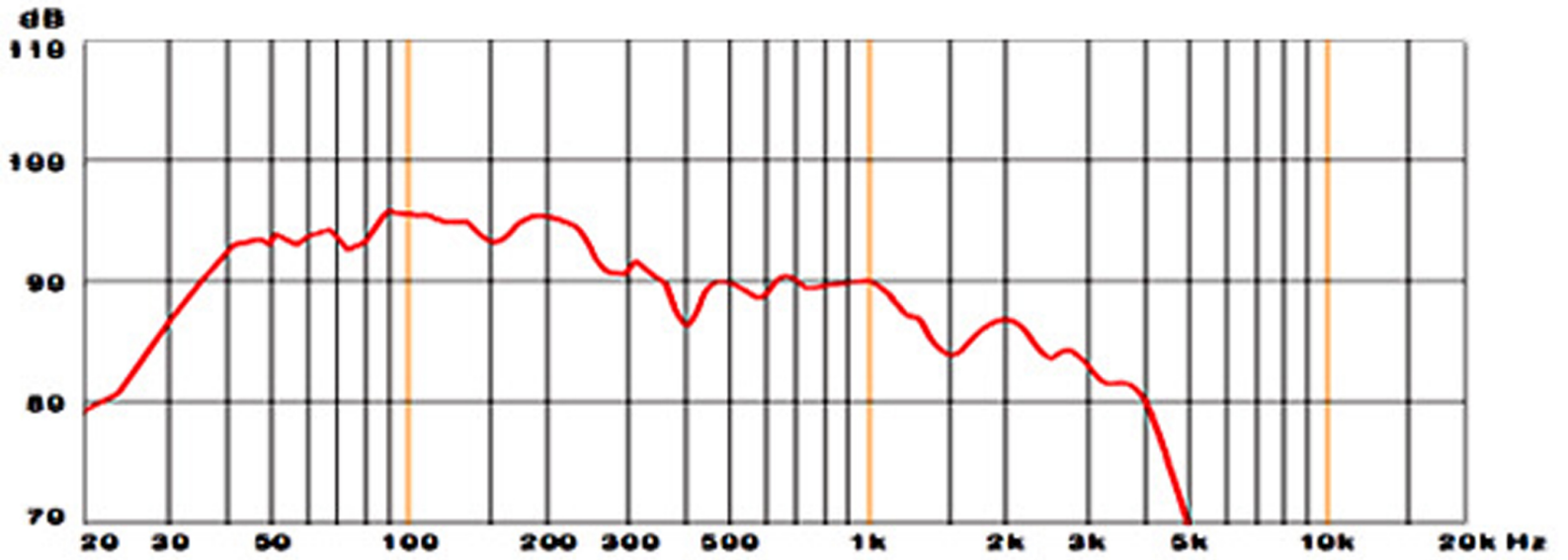
WIDTH:
25.2 INCH / 640 mm

DEPTH:
26.8 INCH / 680 mm

HEIGHT:
21.3 INCH / 540 mm

WEIGHT:
134.5 LB / 61 KG

FREQUENCY RESPONSE



Beamwidth

