

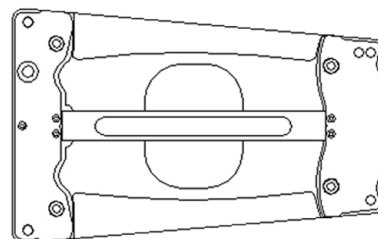
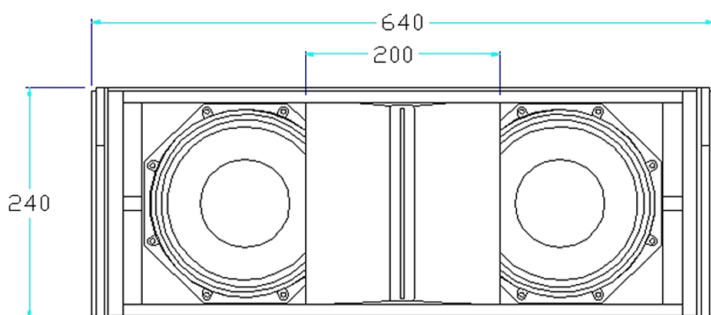
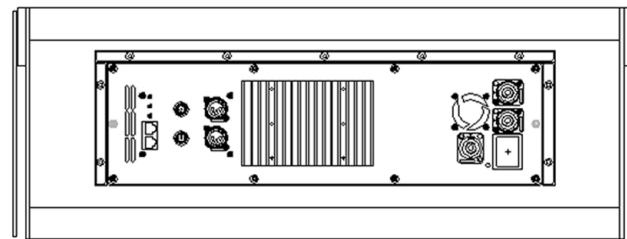
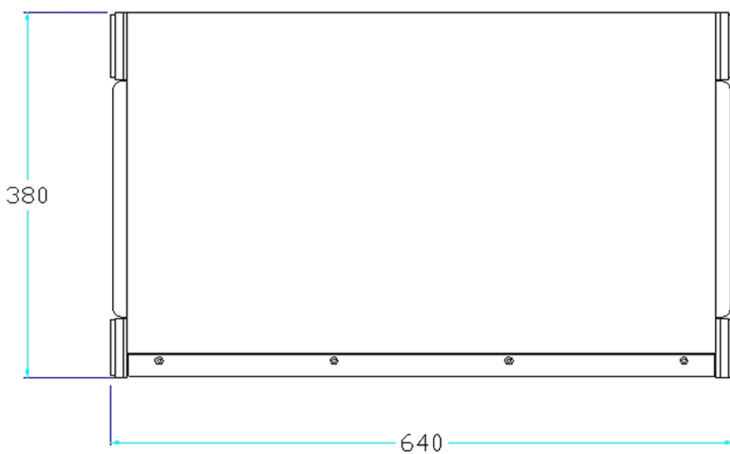
Description

The CORE 82A is a dual 8", two way, full range, active line array module. The CORE 82A features a two-channel, Class D amplifier that is specifically designed to power its corresponding passive cabinets, the CORE 82P, but can be used in a full active line array setup if required or preferred. The CORE 82A also features the latest digital signal processor and the NUCLEUS FIR by Sound Barrier™ Loudspeaker Management Software. Though compact in size, the CORE 82A is a full-bandwidth system and may be used without subwoofers in many applications. Where additional low frequency extension is required, the CORE 82A can be complemented by and is directly compatible with the CORE8218SA (Active 18" Subwoofer) and CORE8218SP (Passive 18" Subwoofer).



Features

- 136 dB max SPL
- 70Hz-19kHz frequency response
- 2 x 8" Neodymium Woofers
- 1 x 1.4" Neodymium Magnet Compression Driver
- DSP controlled Input section with selectable presets
- Tour grade safe and solid variable mechanics
- Solid Birchwood enclosure structurally wooden reinforced



Specifications

Acoustic Specifications

FREQUENCY RESPONSE:
70Hz-19kHz

MAX SPL:
136 DB

COVERAGE ANGLES:
100° (HORIZONTAL), 10° (VERTICAL)

Transducers

HIGH FREQUENCY:
1 x 1.4 INCH THROAT, 3-INCH VOICE COIL, NEODYMIUM MAGNET

LOW FREQUENCY:
2 x 8 INCH, 2-INCH VOICE COIL, NEODYMIUM MAGNET

Input / Output Section

INPUT SIGNAL:
XLR
NUCLEUS FIR RJ45 ETHERNET

OUTPUT CONNECTORS:
XLR LOOP
NUCLEUS FIR RJ45 ETHERNET
NEUTRIK® SPEAKON NL4

Processor Section

CROSSOVER FREQUENCIES:
1260Hz, -24dB / OCT

PROTECTION:
OVER-HEAT,
CLIP / LIMITER WITH GAIN REDUCTION

CONTROLS:
INPUT GAIN
8 DSP PRESETS

NUCLEUS FIR:
YES

Power Section

TOTAL POWER HANDLING:
2400W PEAK, 1200W RMS

COOLING:
CONVECTION AND FAN VENT

LOW FREQUENCIES:
1600W PEAK, 800W RMS

CONNECTIONS:
POWERCON IN / OUT

HIGH FREQUENCIES:
800W PEAK, 400W RMS

OPERATIONAL VOLTAGE:
UNIVERSAL MAINS, 85-268V

Standard Compliance

CE MARKING:
YES

UL MARKING:
YES

FCC MARKING:
YES

Construction

COLOR:
BLACK POLYURETHANE PAINT

RIGGING:
FAST INTEGRAL RIGGING
MAGNETIC PINS

HANDLES:
TWO SIDE

GRILLE:
STEEL WITH ACOUSTIC FOAM

CABINET MATERIAL:
BIRCH PLYWOOD

ACCESSORIES:
AMPLIFIER RAIN COVER

Dimensions

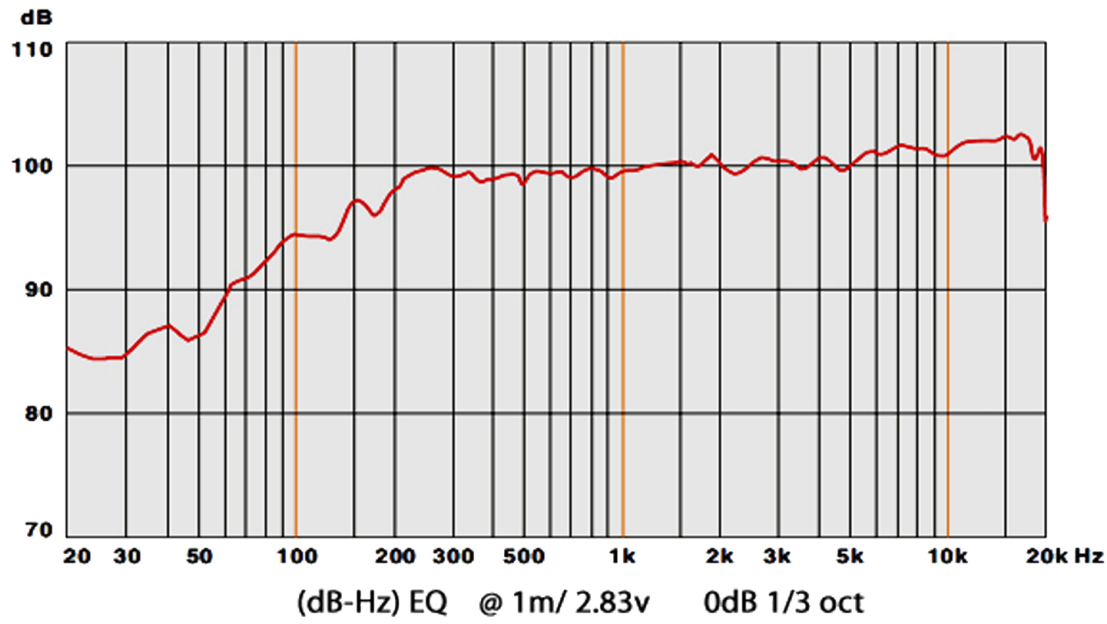
WIDTH:
25.2 INCH / 640 mm

WEIGHT:
62.2 LB / 28.2 KG

DEPTH:
15 INCH / 380 mm

HEIGHT:
9.5 INCH / 240 mm

FREQUENCY RESPONSE



Beamwidth

