

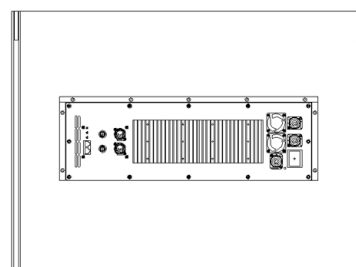
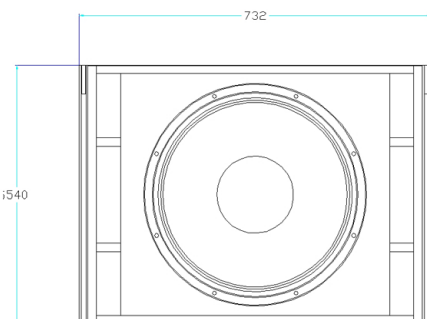
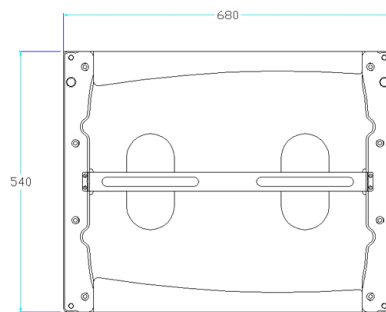
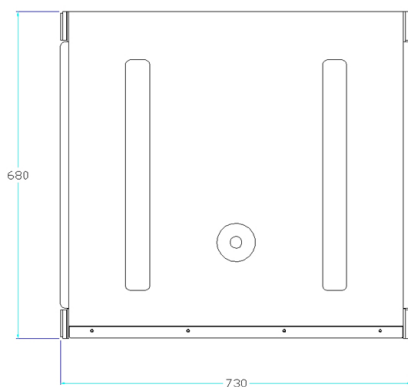
Description

The CORE 10218SA is an 18" active subwoofer system. The CORE 10218SA features a one channel, Class D amplifier that is specifically designed to power its corresponding passive cabinet, the CORE 10218SP, but can be used in a full active line array setup if required or preferred. The CORE 10218SA is compact and can be flown or ground-stacked and possesses high output capability with low-frequency extension. It contains a single Ultra-long 18" (4" V.C.) front-loaded woofer, and the rear of the low-frequency driver is reflex loaded to extend the Low-frequency output to below the natural cut off point. The proprietary rigging system of the CORE10218SA is directly compatible with the CORE 102A, CORE 102P and CORE 10218SP. The CORE 10218SA also features the latest digital signal processor and can be managed by the NUCLEUS FIR by Sound Barrier™ Loudspeaker Management Software.



Features

- 2400 Watt Peak power - 1200 Watt RMS
- 131 dB max SPL
- 32-300Hz frequency response
- 18" High Power Woofer
- DSP controlled Input section with selectable presets
- Tour grade safe and solid variable mechanics
- Solid Birchwood enclosure structurally wooden reinforced
- Amplifier Rain Cover Included



Acoustic Specifications	Frequency Response: Max SPL @ 1m:	32-300Hz 131db
Transducers	Low Frequency:	1 x 18", 4" VC, Front Loaded
Input / Output Section	Input Signal: Input Connectors: Output Connectors:	Balanced / Unbalanced XLR, RJ45 (NUCLEUS FIR) XLR, RJ45 (NUCLEUS FIR)
Power Section	Total Power: Cooling: Connection: Power Supply: Operating Voltage:	2400W RMS, 1200W Peak External Heatsink and Fan Vent Cooling Powercon IN/OUT, NL4 parallel OUT (to CORE10218SP) Universal, regulated switch mode 85V - 265V
Processor Section	DSP Processing: Presets: Protections: Controls:	32 BIT / 24 BIT 96kHz 8 Thermal, Short-circuit / Overload, non-audio signals, Clip/Limiter Volume, Preset Selector, NUCLEUS FIR (Networking, Loudspeaker Management)
Compliance	CE: FCC: UL:	Yes Yes Yes
Physical Specifications	Cabinet Material: Paint: Hardware: Handles: Grille:	Birch Plywood Black Waterproof Coarse Paint Integrated Mechanics and Magnetic Pins 2 side Steel with breathable acoustic sponge
Dimensions	Width: Depth: Height: Weight:	28.75" / 730 mm 26.8" / 680 mm 21.2" / 540 mm 135 lbs / 61 kgs

