

Features

- **High Impact Bass Response for Subwoofer Applications**
Respuesta de Bajo de Alto Impacto para aplicaciones subwoofer
- **2200 watts long-term power capacity**
2200 W de potencia de periodo largo.
- **96dB Sensitivity**
96dB de Sensibilidad.
- **Thermally efficient magnet assembly for high reliability.**
Magneto eficientemente termico ensablado para alta ejecucion.

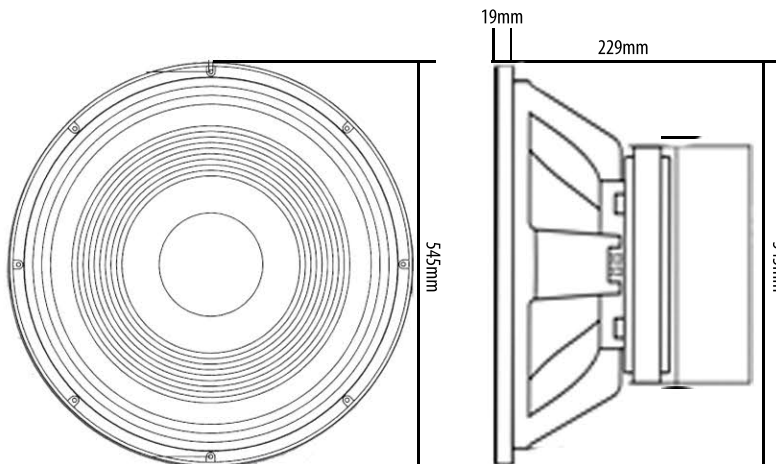


Specifications *Especificaciones*

Frequency Response <i>Respuesta de Frecuencia</i>	35Hz-2.2Khz
Power <i>Potencia</i>	2200W Program Power
Sensitivity <i>Sensibilidad</i>	96dB
Nominal Impedance <i>Impedancia Nominal</i>	8 Ohms (6.9 Ohms)
Voice Coil Diameter <i>Diametro de Bobina</i>	5" (127 mm)
Voice Coil Material <i>Material de Bobina</i>	Copper and CCAR
Magnet Material <i>Material del Magneto</i>	Barium Ferrite
Magnet Weight <i>Peso del Magneto</i>	240 Oz.
Frame <i>Marco</i>	Cast Aluminum Black Textured Epoxy

Mounting Information

Nominal Basket Diameter:	545mm
Baffle Hole Diameter:	520mm
Mounting Holes Diameter:	8.0mm
Mounting Holes B.C.D.	520mm
Depth	210mm
Net Weight	48 lbs. (21.8 kg)



Thiele - Small Parameters

Resonant Frequency:	fs: 35Hz
Impedance:	Re: 6.9 Ohms
Coil Reduction	Le: 3.2mH
Electromagnetic Q	Qes: 0.38
Mechanical Q	Qms: 13.6
Total Q	Qts: 0.35
Compliance Equivalent Volume	Vas: 1093 ltr / 29 cu ft
Mechanical Compliance of suspension	Cms: 0.35mm/N
BL Product	BL: 20.8 T-M
Diaphragm Mass Inc. Airload	Mms: 172 g
Efficiency Bandwidth Product	EBP: 77
Maximum Impedance	Zmax: 112 Ohm
Surface Area of Cone	Sd: 1402 cm ²

