

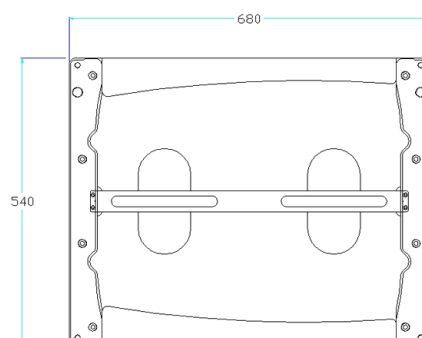
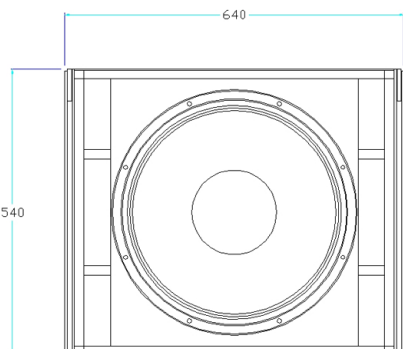
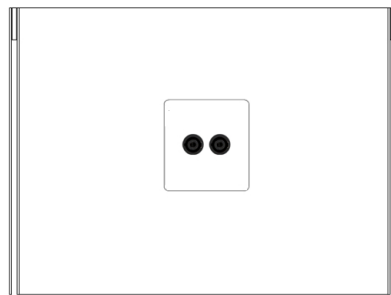
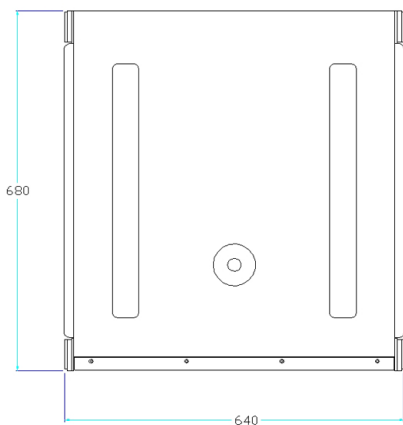
## Description

The CORE 8218SP is a passive 18" sub-bass system specifically designed to be used with the CORE 8218A active sub-bass cabinet but can be used in a fully passive setup with rack-mount amplifiers if required or preferred. The CORE 8218SP is compact, lightweight, and can be flown or ground-stacked and possesses high output capability with low-frequency extension. It contains a single Ultra-long 18" / 4" V.C. woofer is front-loaded, and the rear of the low-frequency driver is reflex loaded to extend the Low-frequency output to below the natural cut off point. The proprietary rigging system of the CORE8218SP is directly compatible with the CORE 82A, CORE 82P, and CORE 8218A. Each enclosure is constructed with a threaded pole-mount socket on the top of each cabinet for use with the CORE82-BPSYS pole-mount and bracket system.



## Features

- 3000 WATT Peak Power - 1500W RMS
- 131dB MAX SPL
- 32Hz-30Hz frequency response
- 1 x 18" Woofer, 4" Voice Coil
- Tour grade safe and solid variable mechanics
- Designed to complement the CORE82
- Designed to be powered by the CORE8218SA
- Solid Birchwood enclosure structurally wooden reinforced



## Specifications

### Acoustic Specifications

**FREQUENCY RESPONSE:**  
32Hz-300Hz

**MAX SPL:**  
131 DB

### Transducers

**LOW FREQUENCY:**  
1 x 18 INCH, 4-INCH VOICE COIL, NEODYMIUM MAGNET

### Input / Output Section

**INPUT SIGNAL:**  
NEUTRIK® SPEAKON NL4

**OUTPUT CONNECTORS:**  
NEUTRIK® SPEAKON NL4

### Power Section

**TOTAL POWER HANDLING:**  
3000W PEAK, 1500W RMS

**CROSSOVER FREQUENCIES:**  
30Hz, 96Hz -24dB / OCT

### Construction

**COLOR:**  
BLACK POLYURETHANE PAINT

**HANDLES:**  
FOUR SIDE

**CABINET MATERIAL:**  
BIRCH PLYWOOD

**RIGGING:**  
FAST INTEGRAL RIGGING  
MAGNETIC PINS  
POLE-MOUNT SOCKET

**GRILLE:**  
STEEL WITH ACOUSTIC FOAM

### Dimensions

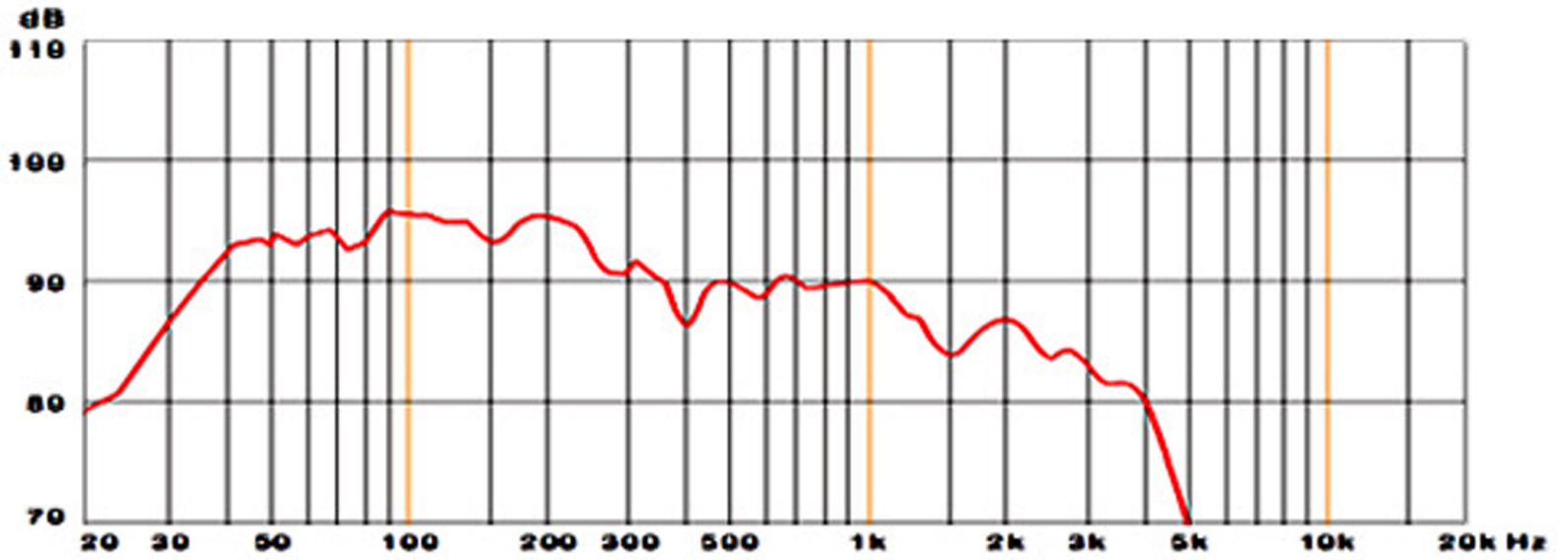
**WIDTH:**  
25.2 INCH / 640 mm

**DEPTH:**  
26.8 INCH / 680 mm

**HEIGHT:**  
21.3 INCH / 540 mm

**WEIGHT:**  
117 LB / 53 KG

FREQUENCY RESPONSE



Beamwidth

