

CORE 212P

Dual 12-inch Three-way Full-Range Line Array Module - Passive

Features

- Dual 12" Three-way High Performance, High SPL Line Array Module
- SPL: 136dB Continuous, 142dB Peak
- Full range -- 60Hz -- 19KHz (± 3 dB)
- Smooth off-axis Frequency Response - up to 100° (-10dB)
- Built-in precision quick-hanging parts, adjustable angle 0°-8°
- Water and Dust Proof dual PLT NL8 Pin Connectors
- Live Sound and Fixed Installations



The CORE212P is a three-way full-range linear array that uses linear array technology and planar waveguide technology to achieve the best dynamic results. The CORE212A loudspeaker enclosure is based on a 3-way active design and perfectly combines the high-efficiency advantage of the horn with the low-frequency extensibility of a front-loaded box.

It features two 12" low-frequency, four 6.5" mid-frequency, and two 2" neodymium transducers. The low frequency is in a horn load design while the mid-frequency section provides up to 104 dB / 1W / 1M sensitivity and planar arrangement, which greatly reduces system distortion and creates a low-curvature wavefront. The High-frequency drivers use a precision equal path horn load that converts the high-frequency audio waveform from a spherical wave to a phase-phase plane wave, greatly reducing the high-frequency interference effect which allows for greatly improved voice clarity over long distances.

The CORE212P enclosure operates over the nominal frequency response of 35 Hz to 19 kHz. Its LF resources can be reinforced with a dedicated low-frequency loudspeaker to form a seamless four-way system.

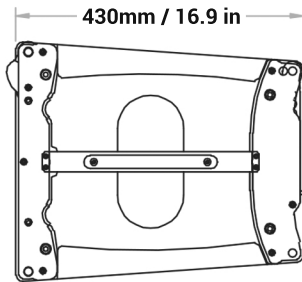
The cabinet is made of machined first-grade Baltic birch plywood combined with a precision steel and aluminum alloy rigging system to ensure maximum acoustical and mechanical integrity while reducing weight to the minimum. The rigging system allows vertical assembly of enclosures with various inter-element angles (0 to 8°), constituting a line array with variable curvature.

Specifications

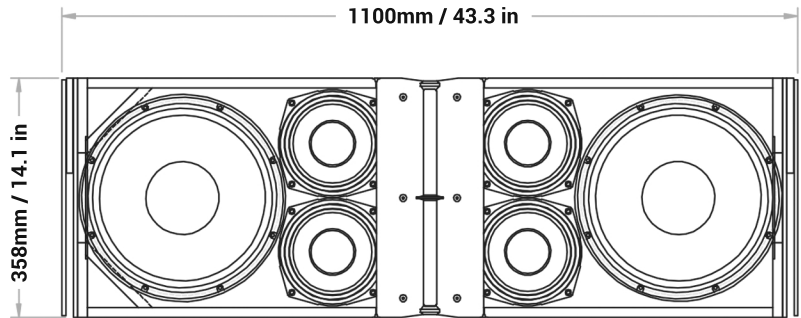
System	
Frequency Response	35Hz-19kHz (-3dB)
Power handling	LF: 2 x 500W RMS, 2 x 2000W Peak MF: 600W RMS, 2400W Peak HF: 300W RMS, 1200W Peak
Max SPL	LF: 130db Continuous, 136dB Peak MF: 132db Continuous, 138dB Peak HF: 136db Continuous, 142dB Peak
Sensitivity	LF: 98db / 1W / 1M MF: 104dB / 1W / 1M HF: 112dB / 1W / 1M
Nominal Impedance	LF: 2 x 8Ω (8Ω) MF: 8Ω HF: 16Ω
Coverage Angle (-6dB)	100° Horizontal, 0°-8° Vertical,
Crossover Frequency	LF/MF: 400Hz, MF/HF 1.1kHz, -24dB/octave
Recommended High Pass Filter	High Pass \geq 40Hz, -24dB Octave
Transducers	
Low Frequency	2 x 12", 3" VC, Neodymium
Mid Frequency	4 x 6.5", 2" VC, Neodymium
High Frequency	2 x 1.4" Throat, 3" VC, Neodymium
Input / Output section	
Connectors	2 x NL8 - PLT Waterproof / Dustproof Connector
Construction	
Finish	Wear-resistant Textured Black Paint
Grill	Foam Backed, Powder Coated Perforated Steel
Suspension Hardware	Steel Proprietary Rigging System
Handles	2 Side Steel Recessed Handles
Enclosure	15mm Birch Plywood
Dimensions	
Width	43.3 INCH / 1100 mm
Depth	16.9 INCH / 430 mm
Height	14.1 INCH / 358 mm
Weight	172 LB / 78 KG

CORE 212P

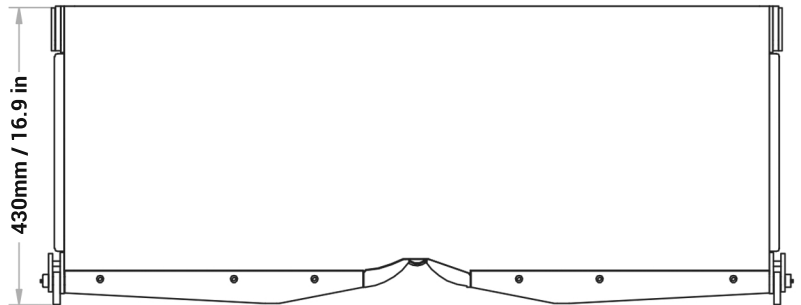
Dual 12-inch Three-way Full-Range Line Array Module - Passive



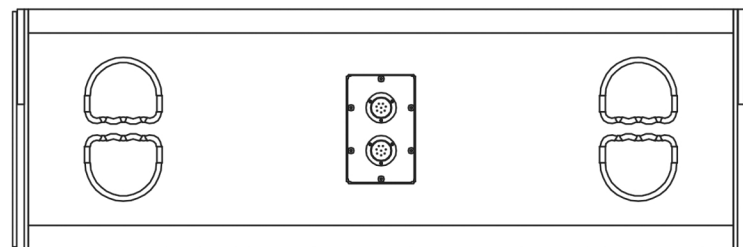
SIDE



FRONT



TOP



REAR