

# CORE 103P

## Dual 10-inch Three-way Full-Range Line Array Module - Passive

### Features

- Dual 10" Three-way, High SPL Line Array Module
- SPL: 134dB Continuous, 140dB Peak
- Smooth off-axis Frequency Response - up to 100° (-10dB)
- Built-in precision quick-hanging parts, adjustable angle 0°-10°
- Water and Dust Proof dual PLT NL8 Pin Connectors
- Live Sound and Fixed Installations



The CORE103P dual 10-inch three-way, full-range loudspeaker uses linear array technology and planar waveguide technology to achieve the best dynamic results.

The LF transducers section is comprised of dual 10-inch high-power transducers with 1.3-inch neodymium magnet units. The Inverted load design extends the low-frequency response frequency limit of the unit. The dual 10-inch acoustic design perfectly combines the high-efficiency advantages of the horn with the low-frequency extensibility of the inverted box.

The mid-frequency section uses two 6.5-inch transducers with 2-inch voice coil neodymium magnets, providing up to 104dB/ 1 W/1 M sensitivity. The planar arrangement greatly reduces system distortion and creates a low-curvature wavefront.

The high-frequency section uses dual drivers 1.4-inch exit, 2.5-inch voice coil titanium diaphragm neodymium magnet units. Using a precision equal path horn load, the high-frequency audio waveform is converted from a spherical wave to a phase-phase plane wave, reducing the high-frequency interference effect and greatly improving vocal clarity over long distances. The up to 109dB/1 W/1 M sensitivity and up to 140dB peak sound pressure enables the CORE103P to meet the dynamic range of any large performance requirement.

The cabinet is equipped with a precision steel and aluminum alloy lifting system. The splay angle can be adjusted from 0° to 10° via the rear connecting rod of each cabinet to meet the dispersion requirements for different venues and occasions.

### Specifications

#### System

Frequency Response	35Hz-19kHz (-3dB)
Power handling	LF: 2 x 300W RMS, 2 x 1200W Peak MF: 300W RMS, 1200W Peak HF: 240W RMS, 960W Peak
Max SPL	LF: 127db Continuous, 133dB Peak MF: 130db Continuous, 136dB Peak HF: 134db Continuous, 140dB Peak
Sensitivity	LF: 98dB / 1W / 1M MF: 106dB / 1W / 1M HF: 109dB / 1W / 1M
Nominal Impedance	LF: 2 x 8Ω MF: 16Ω HF: 16Ω
Coverage Angle (-6dB)	100° Horizontal, 0°-10° Vertical,
Crossover Frequency	LF/MF: 400Hz, MF/HF 1.2kHz, -24dB/octave
Recommended High Pass Filter	High Pass ≥ 40Hz, -24dB Octave

#### Transducers

Low Frequency	2 x 10", 3" VC, Neodymium
Mid Frequency	2 x 6.5", 2" VC, Neodymium
High Frequency	2 x 1.4" Throat, 2.5" VC, Neodymium

#### Input / Output section

Connectors	2 x NL8 - PLT Waterproof / Dustproof Connector
------------	--

#### Construction

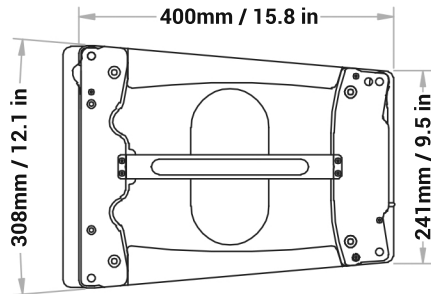
Finish	Wear-resistant Textured Black Paint
Grill	Foam Backed, Powder Coated Perforated Steel
Suspension Hardware	Steel Proprietary Rigging System
Handles	2 Side Steel Recessed Handles
Enclosure	15mm Birch Plywood

#### Dimensions

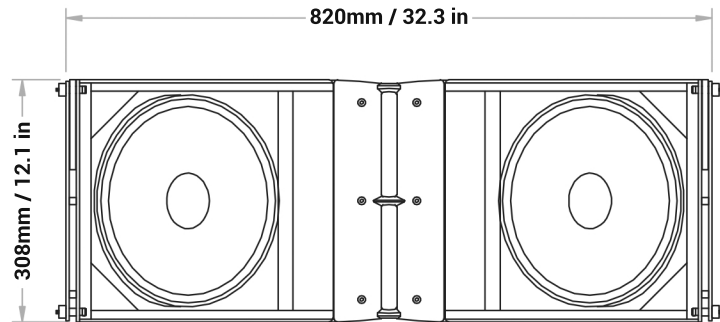
Width	32.3 INCH / 820 mm
Depth	15.8 INCH / 400 mm
Height	12.1 INCH / 308 mm
Weight	94.8 LB / 43 KG

# CORE 103P

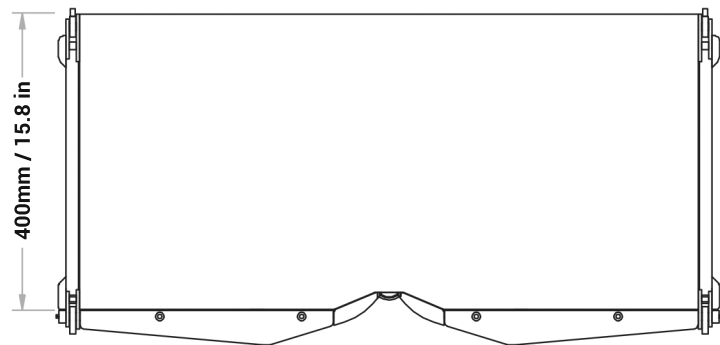
Dual 10-inch Three-way Full-Range Line Array Module - Passive



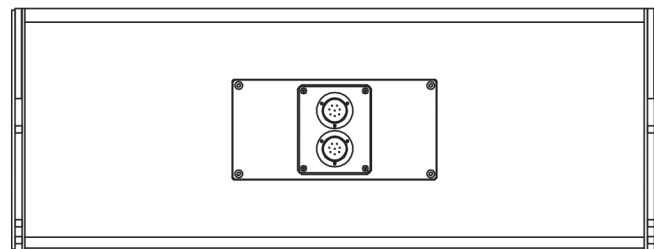
**SIDE**



**FRONT**



**TOP**



**REAR**