

# Prop Forge Ghostbusters Proton Pack Lights Instructions v1.2

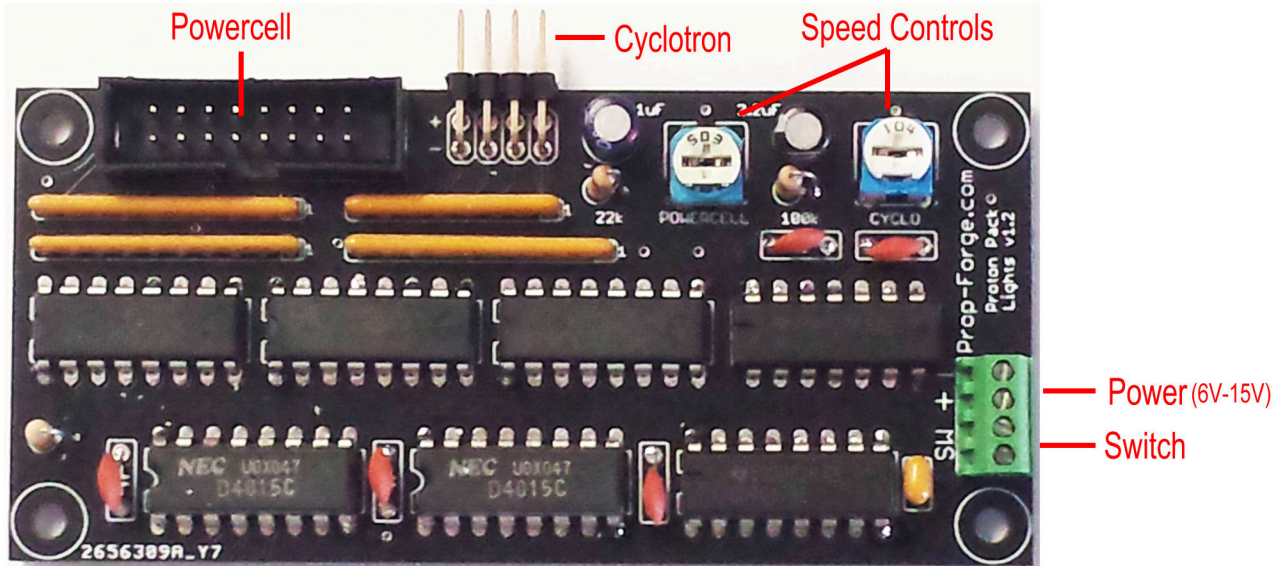


Figure 1-1 General Layout

- Step 1) Align the included ribbon cable with the rectangular headers on both included boards, taking note of the key location (Figure 2-1) and press firmly together.
- Step 2) Plug each of the four cyclotron light connectors onto the headers, locating the red wire on the pin indicated by a "+" symbol (Figure 2-2).
- Step 3) Using a small screwdriver, install a wired switch to the two locations marked "SW." Tighten the screws firmly down over the stripped wire ends (Figure 2-3).
- Step 4) Using a small screwdriver, install battery wires to the remaining two terminal locations. Verify the polarity of the wires before powering the circuit (Figure 2-4).

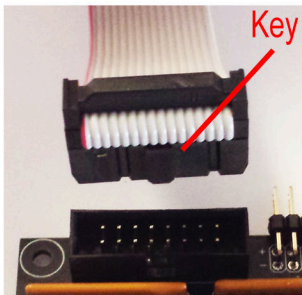


Figure 2-1

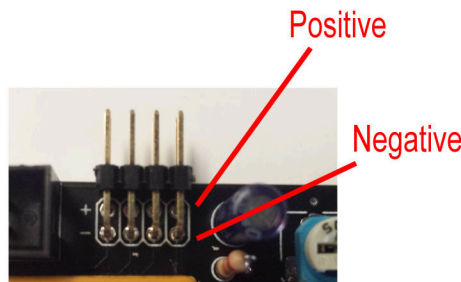


Figure 2-2

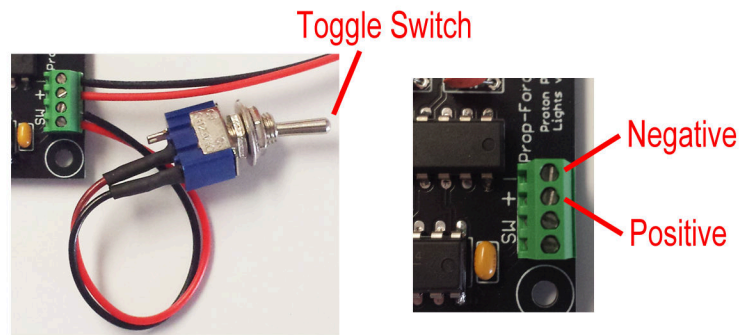
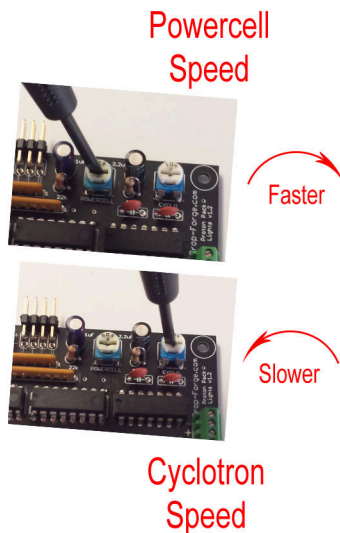


Figure 2-3

Figure 2-4



The speed of the powercell and cyclotron lights can be adjusted independently of each other. Using a screwdriver, twist the trimpot the indicated direction to either speed up or slow down the cycle of the lights as desired.

