

M & M Services, LLC

Welding & Gas Cutting Equipment Repair

11803 Carmenita Rd.

Whittier, CA 90605

(562) 944-7440

www.mandmservicesllc.com

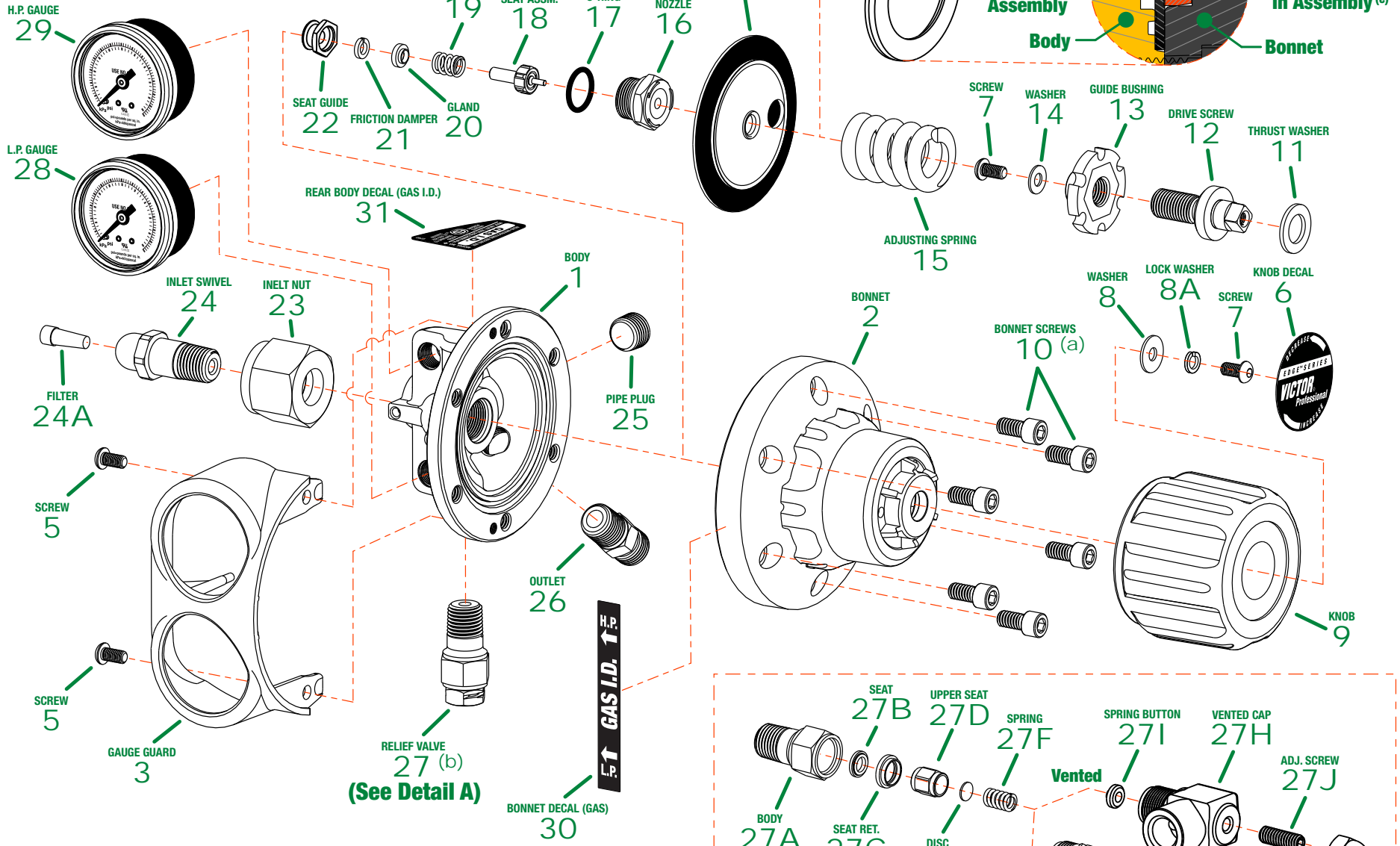
**FOR MORE BREAKDOWNS OR ASSISTANCE
FINDING PARTS YOU NEED, PLEASE EMAIL:**

CS@MANDMSERVICESLLC.COM

EDGE™ SERIES

EXPLODED VIEW - ESS3 AND ESS4 MODELS

ESS3/ESS4



- 2 -

SECTION 1

- (a) ESS3 models use five Screws for Bonnet, ESS4 models use six Screws.
- (b) Pipe Plug replaces Relief Valve on fuel gas models (510, 300, 993).
- (c) Used on ESS4 "E" Range (200 PSIG Delivery) models only.

DETAIL A - Relief Valve (b)

EDGE™ SERIES

PARTS LIST - ESS3 and ESS4 Model Regulators

ESS3/ESS4

Ref. No.	Description	ESS3 Part No.	ESS4 Part No.	Qty.
1	Body	0701-0705	0701-0706	1
2	Bonnet	0720-0343	0720-0342	1
3	Gauge Guard	1429-0071	1429-0070	1
4	Diaphragm Assembly	0730-0024	TABLE 1	1
◇ 4A	Back-Up Ring	---	TABLE 1	1
5	Screw (Gauge Guard)	1400-0248	1400-0239	2
6	Decal, Knob	1415-0788	1415-0791	1
7	Screw	1400-0239		2
8	Washer	1406-0050		1
8A	Lock Washer	1406-0215		1
9	Knob	TABLE 2		1
10	Socket Head Cap Screw	1400-0246		(b)
11	Thrust Washer	1406-0220		1
12	Drive Screw	0750-0203		1
13	Guide Bushing Assm.	0750-0201		1
14	Washer, Special	1406-0006		1
15	Adjusting Spring	TABLE 1		1
16	Nozzle	TABLE 2		1
◇ 17	O-Ring (Nozzle Body)	1407-0282		1
◇ 18	Seat Assembly	TABLE 2		1
19	Valve Spring	0762-0006		1
20	Gland	0708-0003		1
◇ 21	Friction Damper	1408-0033		1
22	Bottom Guide	0708-0018		1
◇ 23	Inlet Nut	TABLE 2		1
◇ 24	Inlet Swivel w/Filter	TABLE 2		1
24A	Inlet Filter	0717-0003 (a)		1
25	Pipe Plug	1105-0014		1
◇ 26	Outlet Connection	TABLE 2		1
27	Relief Valve	TABLE 3		1
◇ 28	Gauge, Low Pressure	TABLE 1		1
◇ 29	Gauge, High Pressure	TABLE 1		1
30	Decal, Bonnet Gas I.D.	TABLE 2		1
31	Decal, Rear Body Gas Info.	TABLE 2		1

(a) Cylinder models only.

(b) ESS3 uses five (5) screws, ESS4 uses six (6) screws.

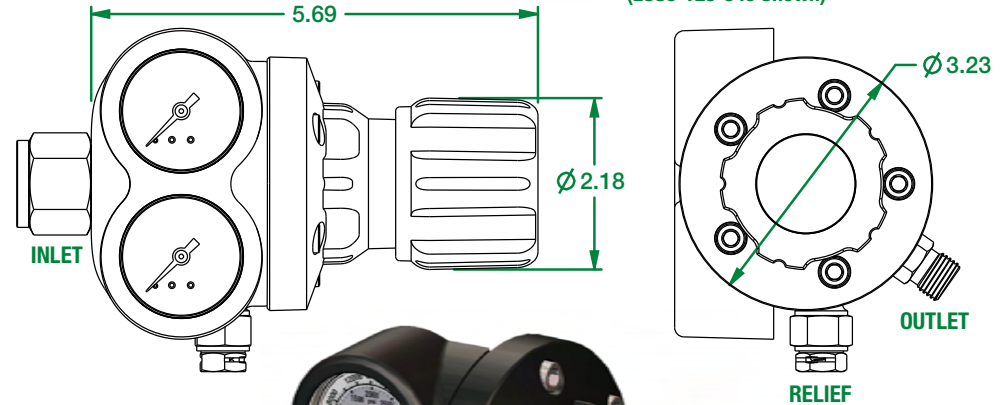
◇ Items most commonly required for regulator repair and recommended for stock.

- 3 -

SECTION 1



ESS3 Model
(ESS3-125-540 Shown)



ESS4 Model
(ESS4-125-540 Shown)

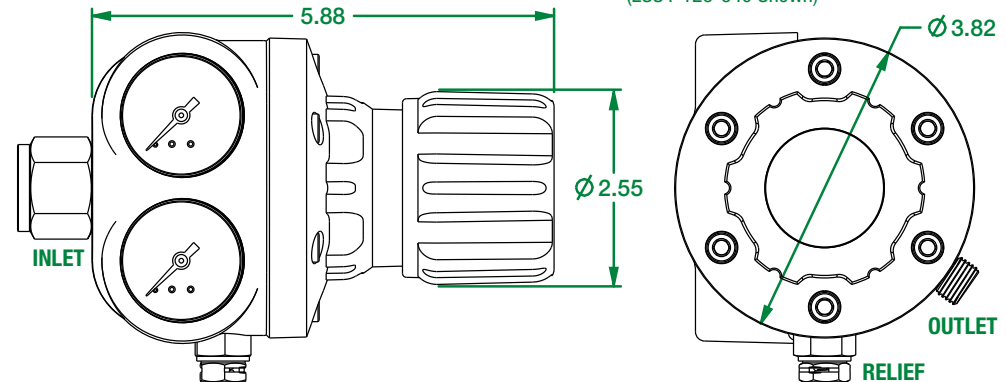


TABLE 1 - Diaphragm, Adjusting Spring & Gauges

Ref. No.	Description	Acetylene		LP Gas		LP Gas ESS4-125-510LP	Flow Gauge Models ESS3-FG-580 ESS3-FG-320	All Other Models					
		ESS3-15-510	ESS4-15-510	ESS3-40-510LP	ESS4-40-510LP			ESS3-40-	ESS4-40-	ESS3-125-	ESS4-125-	ESS3-200-	ESS4-200-
4	Diaphragm Assembly	0730-0024	0730-0063	0730-0024	0730-0063	0730-0063	0730-0024	0730-0024	0730-0063	0730-0024	0730-0063	0730-0024	0730-0068
4A	Back-Up Ring	---	---	---	---	---	---	---	---	---	---	---	0736-0002
15	Adjusting Spring	0761-0107	0761-0089	0761-0060	0761-0093	0761-0098	0761-0060	0761-0060	0761-0093	0761-0080	0761-0098	0761-0098	
28	Gauge, Low Pressure (f)	1424=0514		1424=0515		1424=0512	1424=0516	1424=0515		1424=0512		1424=0513	
29	Gauge, High Pressure (f)	1424=0513		1424=0513		1424=0513	1424=0511	1424=0511		1424=0511		1424=0511	

(f) To replace Lens only - Replacement Lens Part No. 1429-0029.

TABLE 2 - Inlet & Outlet, Seat Assembly & Nozzle, Color Coded Items

Gas	Inlet Type	I.D. Color	Ref. No. →		16		18		23	24	26	30	31
			Adjusting Knob (w/Decal)	Nozzle		Seat Assembly		Inlet Nut	Inlet Swivel (w/Filter)	Outlet Connection	Decal, Bonnet Gas I.D.	Decal, Rear Body Gas Info.	
			ESS3	ESS4	ESS3	ESS4	ESS3	ESS4					
Oxygen	CGA 540	GREEN	0790-0209	0790-0200	0702-0085	0702-0068	0740-0158	0740-0131	0967-0044	0967-0032	0950-0068	1415-0790	1415-0792
Oxygen	992	GREEN	0790-0209	0790-0200	0702-0085	0702-0068	0740-0158	0740-0131	0992-0003	0970-0015	0950-0068	1415-0790	1415-0792
Argon/Helium/Nitrogen	CGA 580	BLACK	0790-0214	0790-0208	0702-0085	0702-0068	0740-0158	0740-0131	0973-0003	0970-0015	0950-0017 (e)	1415-0799	1415-0798
Argon/Helium/Nitrogen	992	BLACK	0790-0214	0790-0208	0702-0085	0702-0068	0740-0158	0740-0131	0992-0003	0970-0005	0950-0017 (e)	1415-0915	---
Air (Industrial)	CGA 590	BLACK	0790-0214	0790-0208	0702-0085	0702-0068	0740-0158	0740-0131	0974-0003	0970-0015	0960-0014	1415-0805	1415-0804
Air (Breathing)	CGA 346	YELLOW	0790-0219	0790-0216	0702-0085	0702-0068	0740-0158	0740-0131	0972-0015	0972-0009	0960-0014	1415-0807	1415-0806
Carbon Dioxide	CGA 320 (d)	GREY	0790-0212	0790-0206	0702-0085	0702-0068	0740-0158	0740-0131	0985-0030	0985-0058 (d)	0950-0017 (e)	1415-0801	1415-0800
Nitrous Oxide	CGA 326	BLUE	0790-0211	0790-0205	0702-0085	0702-0068	0740-0158	0740-0131	0963-0015	0963-0009	0950-0080	1415-0803	1415-0802
Hydrogen & Methane	CGA 350	RED	0790-0210	0790-0204	0702-0085	0702-0068	0740-0158	0740-0131	0983-0003	0983-0005	0960-0029	1415-0809	1415-0808
Acetylene	CGA 510	RED	0790-0210	0790-0204	0702-0068		0740-0101		0970-0003	0970-0015	0960-0029	1415-0789	1415-0793
Acetylene	CGA 300	RED	0790-0210	0790-0204	0702-0068		0740-0101		0968-0003	0968-0005	0960-0029	1415-0789	1415-0793
Acetylene	993	RED	0790-0210	0790-0204	0702-0068		0740-0101		0993-0003	0970-0015	0960-0029	1415-0789	1415-0793
LP Gases	CGA 510	ORANGE	0790-0213	0790-0207	0702-0068		0740-0101		0970-0003	0970-0015	0960-0029	1415-0797	1415-0796

(d) CGA 320 inlet requires inlet washer part number 1408-0065.

(e) Flow Gauge (FG) models must use Outlet Connection with orifice - Part No. 0950-0120.

TABLE 3 - Relief Valve

Ref. No.	Description	Acetylene All Models	LP Gas All Models	Hydrogen (Vented Relief Valve)			All Other Models			
				40 psi Delivery	125 psi Delivery	200 psi Delivery	15 psi Delivery	40 psi Delivery	125 psi Delivery	200 psi Delivery
	Relief Valve Nominal Set Pressure →	---	---	60	200	400	30	60	200	400
27	Relief Valve Complete Assembly or Pipe Plug	Pipe Plug 1105-0014	Pipe Plug 1105-0014	0600-0060	0600-0066	0600-0071	0600-0003	0600-0005	0600-0014	0600-0018
27A	Body	---	---	0601-0006	0601-0006	0601-0006	0601-0004	0601-0004	0601-0004	0601-0006
27B	Seat	---	---	0608-0006	0608-0006	0608-0009	0608-0006	0608-0006	0608-0006	0608-0009
27C	Seat Retainer	---	---	0609-0006	0609-0006	0609-0006	0609-0003	0609-0003	0609-0003	0609-0006
27D	Upper Seat	---	---	0608-0023	0608-0023	0608-0021	0608-0018	0608-0018	0608-0018	0608-0023
27E	Disc	---	---	1406-0017	1406-0017	1406-0017	1406-0016	1406-0016	1406-0016	1406-0017
27F	Spring	---	---	0610-0016	0610-0016	0610-0014	0610-0004	0610-0005	0610-0008	0610-0013
27G	Cap	---	---	---	---	---	0614-0004	0614-0004	0614-0004	0614-0006
27H	Cap (Vented)	---	---	0614-0016	0614-0016	0614-0016	---	---	---	---
27I	Spring Button	---	---	0606-0005	0606-0005	0606-0005	---	---	---	---
27J	Adjusting Screw	---	---	1401-0007	1401-0008	1401-0008	---	---	---	---
27K	Cap Nut	---	---	1403-0024	1403-0024	1403-0024	---	---	---	---

ESS3/ESS4

- 4 -

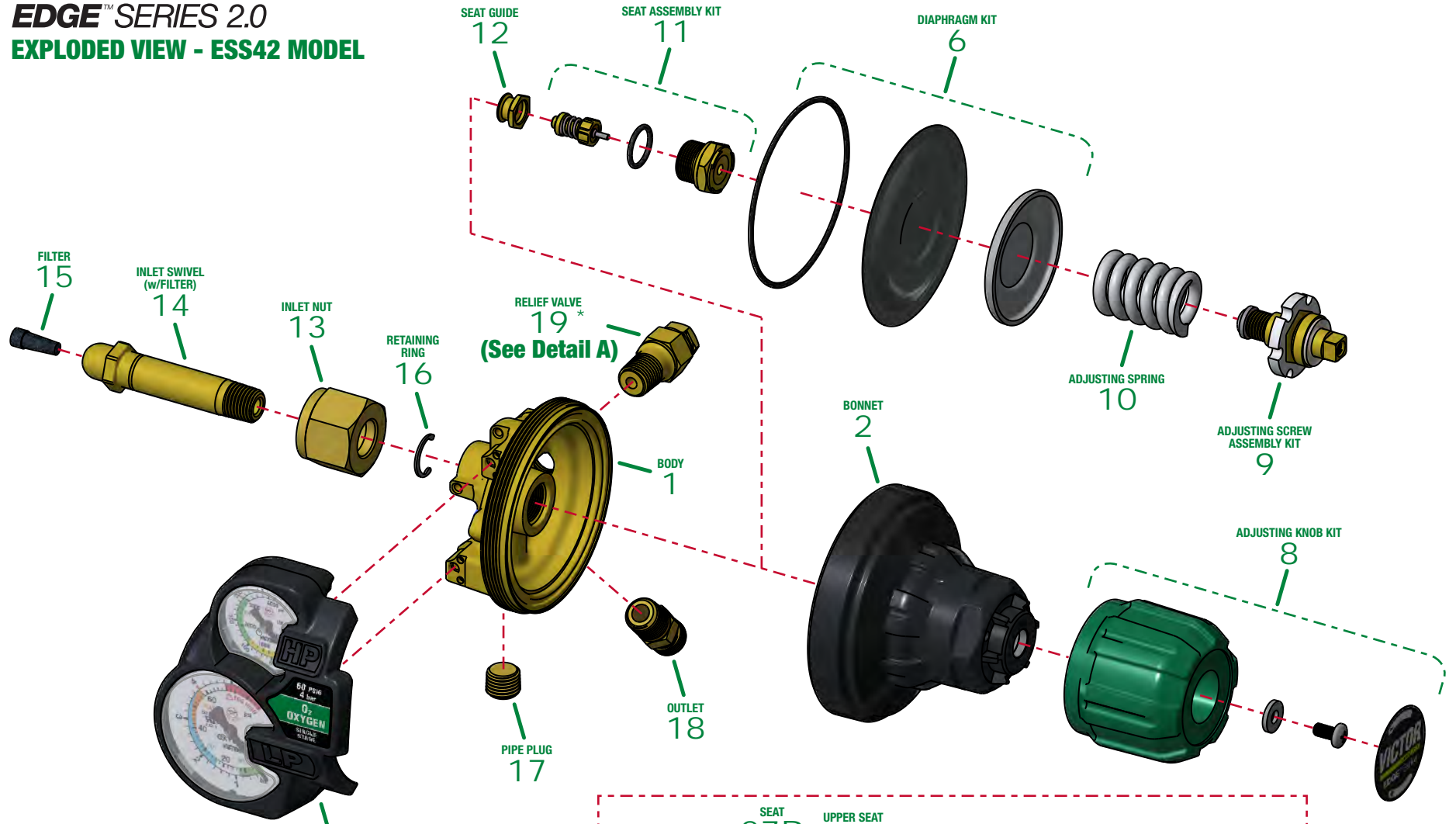
SECTION 1

EDGE™ SERIES 2.0
EXPLODED VIEW - ESS42 MODEL

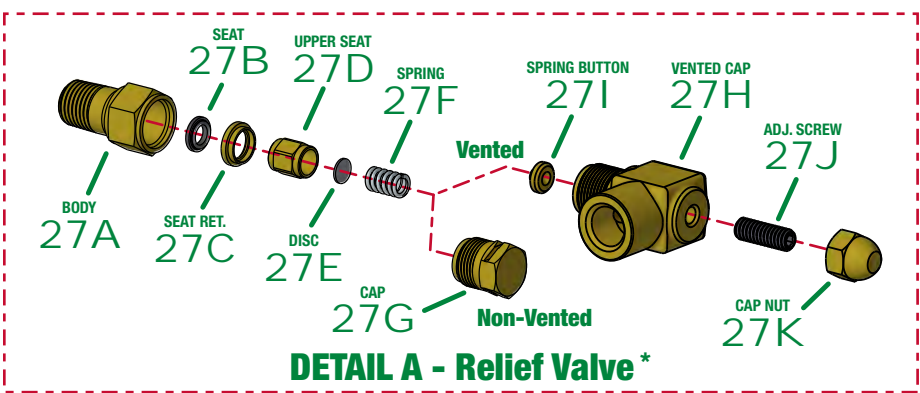
ESS42

- 3 -

EXPLODED VIEW: SECTION 1



Gauges and Gauge Guard - See Page 3



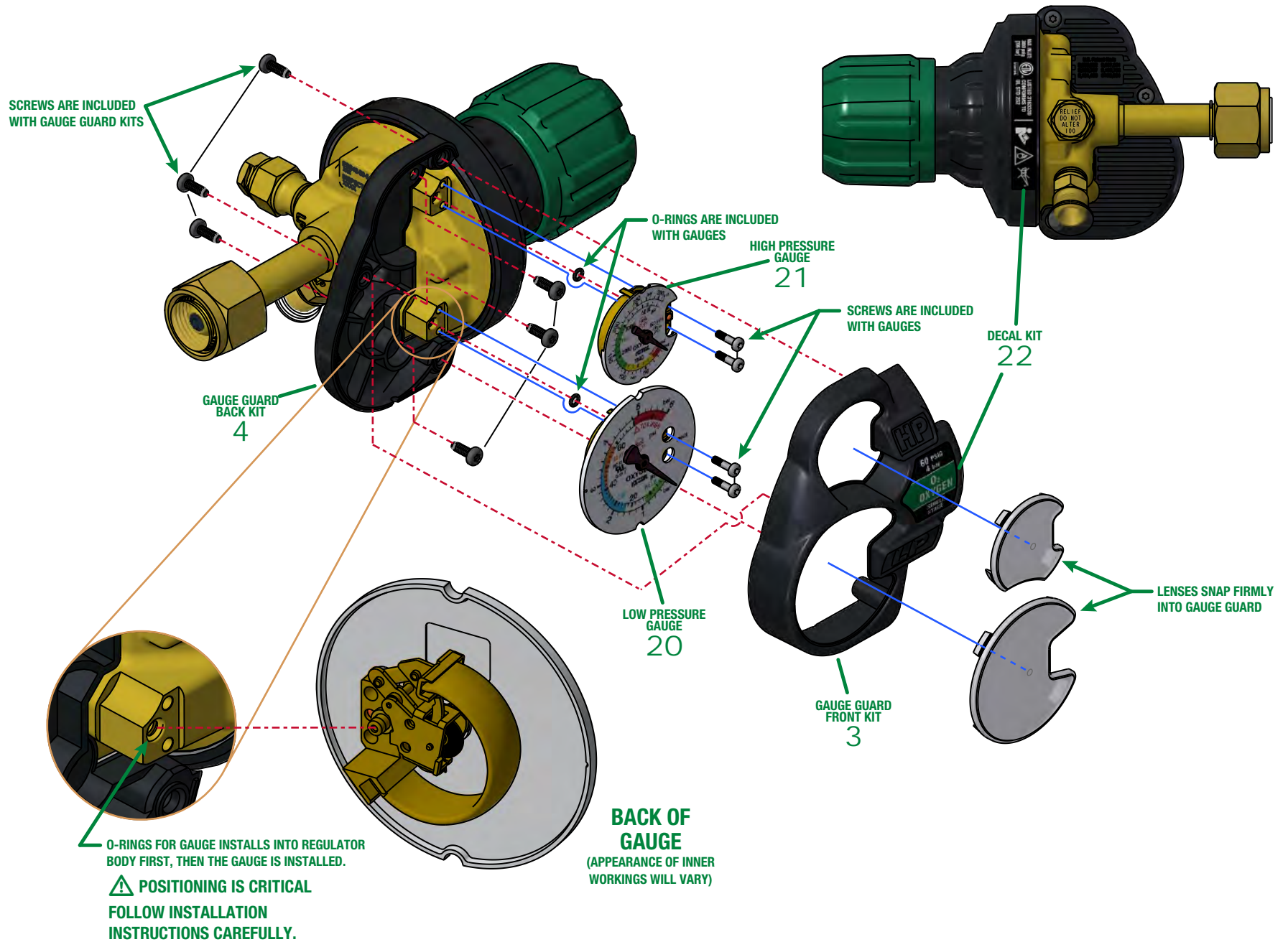
* Pipe Plug replaces Relief Valve on fuel gas models (510, 300, 993).

EDGE™ SERIES 2.0
EXPLODED VIEW - ESS42 MODEL

ESS42

- 4 -

EXPLODED VIEW: SECTION 1



EDGE™ SERIES 2.0

PARTS TABLES - REFER TO EXPLODED VIEWS

ESS42

REF. NO.	DESCRIPTION	PART NO.	QTY	CONTENT NOTES
1	Body	0701-0675RP	1	
2	Bonnet	0720-0345RP	1	
3	Gauge Guard Front Kit	0790-0256RP	1	Includes Gauge Guard Front Half, Both Lenses and 3 Mounting Screws
4	Gauge Guard Back Kit	0790-0257RP	1	Includes Gauge Guard Back Half and 3 Mounting Screws
5	Lens Replacement Kit	0790-0258RP	1	Includes Both HP and LP Gauge Lenses
6	Diaphragm Kit	0790-0259RP	1	Includes Diaphragm, Diaphragm Backup Plate and O-Ring Seal
7	Decal, Knob	1415-0791	1	
8	Adjusting Knob Kit	TABLE 1	1	Includes Knob, Screw, Washer and Knob Decal
9	Adjusting Screw Assembly Kit	0790-0260RP	1	Includes Drive Screw, Drive Bushing, Thrust Washer, Screw and Washer
10	Adjusting Spring	TABLE 1	1	
11	Seat Assembly Kit	TABLE 1	1	Includes Nozzle, O-Ring, Seat Assembly, Valve Spring, Gland and Friction Damper
12	Seat Guide	0708-0018	1	
13	Inlet Nut	TABLE 2	1	
14	Inlet Swivel w/Filter	TABLE 2	1	
15	Inlet Filter	0717-0003	1	
16	Retaining Ring	TABLE 1	1	
17	Pipe Plug	1105-0014	1	
18	Outlet Connection	TABLE 2	1	
19	Relief Valve	TABLE 3	1	
20	Gauge, Low Pressure	TABLE 1	1	Includes Mounting Screws & O-Ring
21	Gauge, High Pressure	TABLE 1	1	Includes Mounting Screws & O-Ring
22	Decal Kit	TABLE 1	1	Includes Front Gas Decal and Rear Compliance/Warning Decal

TABLE 1 - Spring, Seat, Gauges, Knob, Decals, Color Coded Items

REF. NO.	DESCRIPTION	15 PSIG Delivery		60 PSIG Delivery		150 PSIG Delivery					
		Acetylene ESS42-15-	Oxygen ESS42-60-540	LP Gas ESS42-60-510LP	Oxygen ESS42-150-540	LP Gas ESS42-150-510LP	Hydrogen ESS42-150-350	Inert Gas ESS42-150-580	Air ESS42-150-346	Industrial Air ESS42-150-590	Carbon Dioxide ESS42-150-320
8	Adjusting Knob Kit	0790-0243RP	0790-0242RP	0790-0244RP	0790-0242RP	0790-0244RP	0790-0243RP	0790-0245RP	0790-0247RP	0790-0245RP	0790-0246RP
10	Adjusting Spring	0761-0089 *	0761-0080	0761-0077	0761-0098	0761-0098	0761-0098	0761-0098	0761-0098	0761-0098	0761-0098
11	Seat Assembly Kit	0790-0262RP	0790-0261RP	0790-0262RP	0790-0261RP	0790-0262RP	0790-0261RP	0790-0261RP	0790-0261RP	0790-0261RP	0790-0261RP
16	Retaining Ring	---	1406-0130	---	1406-0130	---	---	---	---	---	---
20	Gauge, Low Pressure	1435-0210RP	1435-0212RP	1435-0213RP	1435-0214RP	1435-0215RP	1435-0215RP	1435-0215RP	1435-0215RP	1435-0215RP	1435-0215RP
21	Gauge, High Pressure	1435-0217RP	1435-0221RP	1435-0218RP	1435-0221RP	1435-0218RP	1435-0222RP	1435-0222RP	1435-0222RP	1435-0222RP	1435-0222RP
22	Decal Kit	0790-0263RP	0790-0264RP	0790-0266RP	0790-0265RP	0790-0267RP	0790-0268RP	0790-0269RP	0790-0270RP	0790-0271RP	0790-0272RP

* Spring may include a Spacer Washer on top - be sure to reuse the Spacer Washer if your Regulator included one.

TABLE 2 - Inlet & Outlet

Gas	Inlet Type	I.D. Color	Inlet Nut	Inlet Swivel (w/Filter)	Outlet Connection
Oxygen	CGA 540	GREEN	0967-0044	0967-0034	0950-0068
Oxygen/Nitrogen	992	GREEN	0992-0003	0970-0005	0950-0068
Argon/Helium/Nitrogen	CGA 580	BLACK	0973-0003	0970-0005	0950-0017
Air (Industrial)	CGA 590	BLACK	0974-0003	0970-0005	0960-0014
Air (Breathing)	CGA 346	YELLOW	0972-0015	0972-0010	0960-0014
Carbon Dioxide	CGA 320 *	GREY	0985-0030	0985-0004 *	0950-0017
Hydrogen & Methane	CGA 350	RED	0983-0003	0983-0008	0960-0029
Acetylene	CGA 510	RED	0970-0003	0970-0005	0960-0029
Acetylene	CGA 300	RED	0968-0003	0968-0014	0960-0029
Acetylene	993	RED	0993-0003	0970-0005	0960-0029
LP Gas	CGA 510	ORANGE	0970-0003	0970-0005	0960-0029

* CGA 320 inlet requires inlet washer part number 1408-0065.

TABLE 3 - Relief Valve

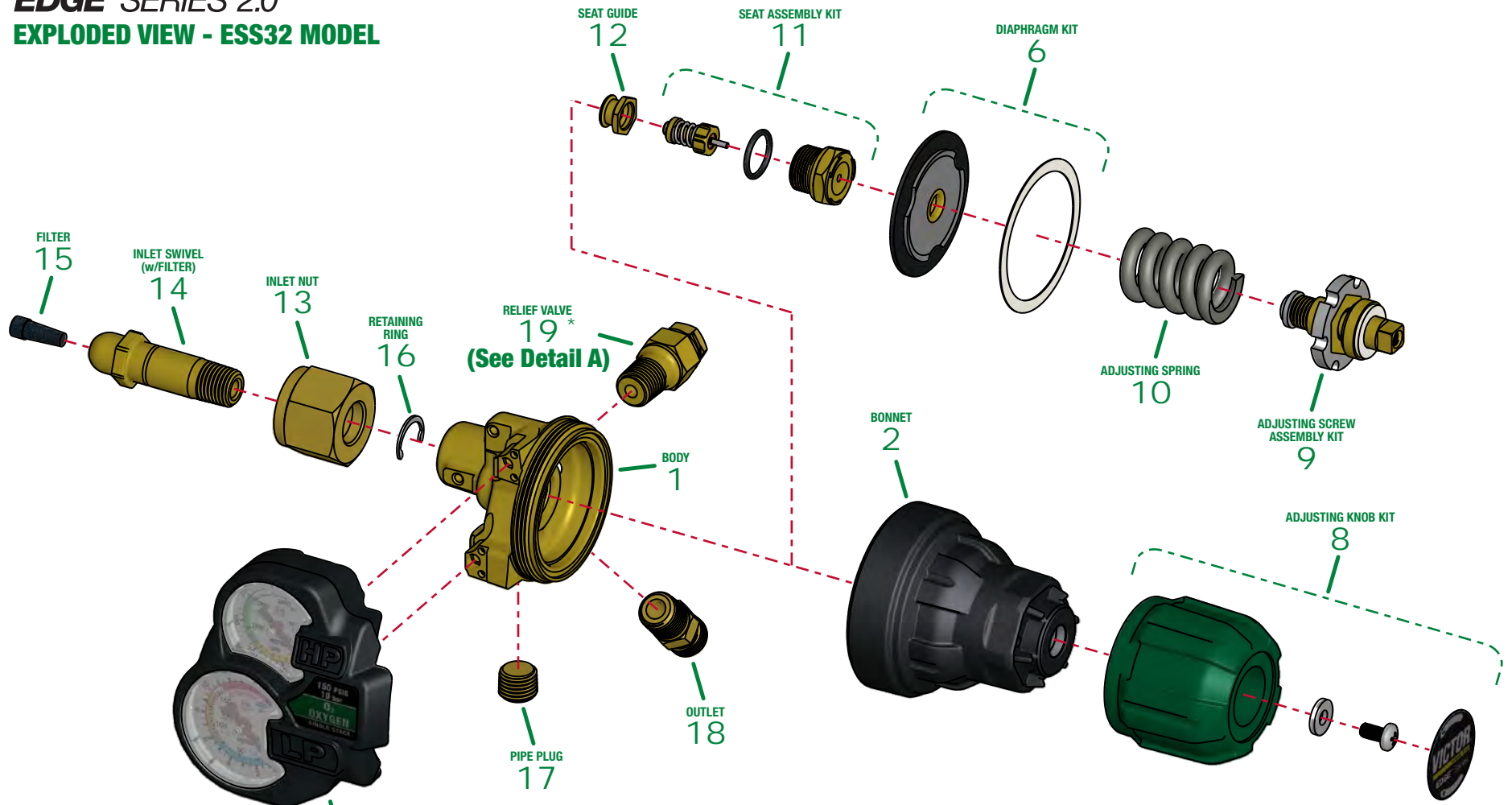
REF. NO.	DESCRIPTION	Acetylene, LP Gas	Hydrogen (Vented Relief Valve) ESS42-150-350	All Other Models	
				ESS42-60-	ESS42-150
	Rel. Valve Nom. Set Pressure -->	---	400	100	300
27	Relief Valve Complete Assembly or Pipe Plug	Pipe Plug 1105-0014	0600-0071	0600-0007	0600-0016
27A	Body	---	0601-0006	0601-0004	0601-0004
27B	Seat	---	0608-0009	0608-0006	0608-0009
27C	Seat Retainer	---	0609-0006	0609-0003	0609-0003
27D	Upper Seat	---	0608-0021	0608-0018	0608-0018
27E	Disc	---	1406-0017	1406-0016	1406-0016
27F	Spring	---	0610-0014	0610-0006	0610-0009
27G/H	Cap	---	0614-0016	0614-0004	0614-0004
27I	Spring Button	---	0606-0005	---	---
27J	Adjusting Screw	---	1401-0007	---	---
27K	Cap Nut	---	1403-0024	---	---

- 5 -

PARTS TABLES: SECTION 1

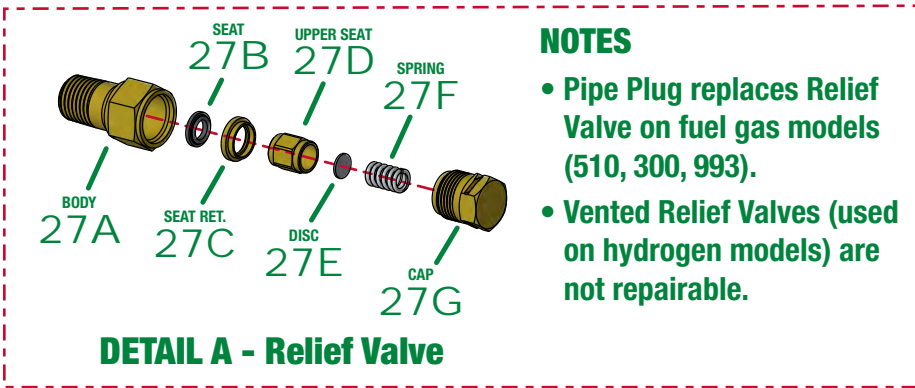
EDGE™ SERIES 2.0
EXPLODED VIEW - ESS32 MODEL

ESS32



Gauges and Gauge Guard
 See Page 21

RELIEF VALVE
 19*
 (See Detail A)



DETAIL A - Relief Valve

NOTES

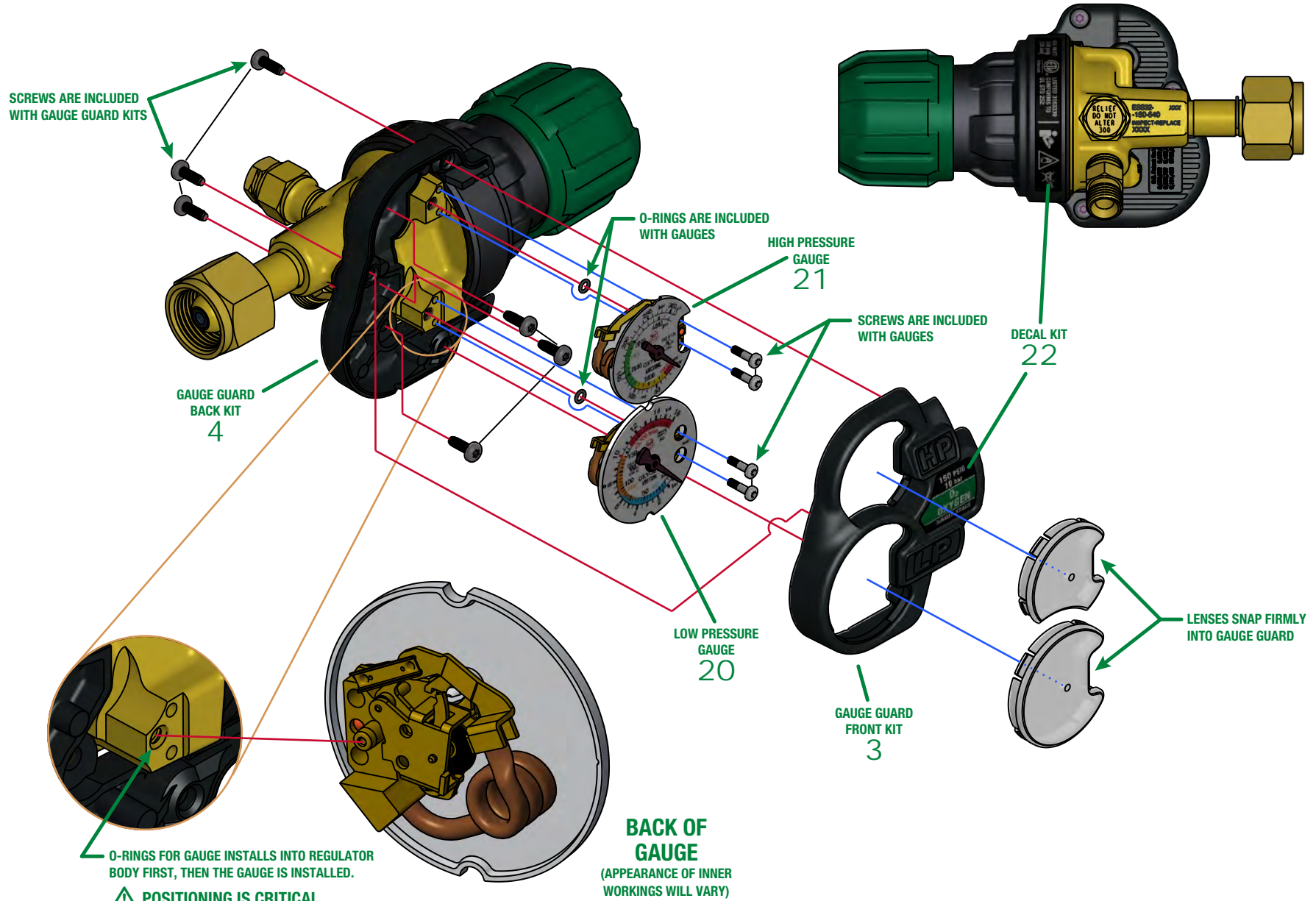
- Pipe Plug replaces Relief Valve on fuel gas models (510, 300, 993).
- Vented Relief Valves (used on hydrogen models) are not repairable.

EDGE™ SERIES 2.0
EXPLODED VIEW - ESS32 MODEL

ESS32

- 23 -

EXPLODED VIEW: SECTION 2



O-RINGS FOR GAUGE INSTALLS INTO REGULATOR BODY FIRST, THEN THE GAUGE IS INSTALLED.

⚠ POSITIONING IS CRITICAL
FOLLOW INSTALLATION INSTRUCTIONS CAREFULLY.

EDGE™ SERIES 2.0

ESS32 PARTS TABLES - REFER TO EXPLODED VIEWS

ESS32

REF. NO.	DESCRIPTION	PART NO.	QTY	CONTENT NOTES
1	Body	0701-0676RP	1	
2	Bonnet	0720-0346RP	1	
3	Gauge Guard Front Kit	0790-0273RP	1	Includes Gauge Guard Front Half, Both Lenses and 3 Mounting Screws
4	Gauge Guard Back Kit	0790-0274RP	1	Includes Gauge Guard Back Half and 3 Mounting Screws
5	Lens Replacement Kit	0790-0275RP	1	Includes Both HP and LP Gauge Lenses
6	Diaphragm Kit	0790-0276RP	1	Includes Diaphragm Assembly & Slip Ring
7	Decal, Knob	1415-0788	1	
8	Adjusting Knob Kit	TABLE 1	1	Includes Knob, Screw, Washer and Knob Decal
9	Adjusting Screw Assembly Kit	0790-0260RP	1	Includes Drive Screw, Drive Bushing, Thrust Washer, Screw and Washer (Assembled)
10	Adjusting Spring	TABLE 1	1	
11	Seat Assembly Kit	TABLE 1	1	Includes Nozzle, O-Ring, Seat Assembly, Valve Spring, Gland and Friction Damper
12	Seat Guide	0708-0018	1	
13	Inlet Nut	TABLE 2	1	
14	Inlet Swivel w/Filter	TABLE 2	1	
15	Inlet Filter	0717-0003	1	
16	Retaining Ring	TABLE 1	1	
17	Pipe Plug	1105-0014	1	
18	Outlet Connection	TABLE 2	1	
19	Relief Valve	TABLE 3	1	
20	Gauge, Low Pressure	TABLE 1	1	Includes Mounting Screws & O-Ring
21	Gauge, High Pressure	TABLE 1	1	Includes Mounting Screws & O-Ring
22	Decal Kit	TABLE 1	1	Includes Front Gas Decal and Rear Compliance/Warning Decal

TABLE 1 - Spring, Seat, Gauges, Knob, Decals, Color Coded Items

REF. NO.	DESCRIPTION	15 PSIG Delivery		60 PSIG Delivery			150 PSIG Delivery					50 CFH Flowgauge		
		Acetylene ESS32-15-	Oxygen ESS32-60-	LP Gas ESS32-60-510LP	Hydrogen ESS32-60-350	Inert Gas ESS32-60-580	Oxygen ESS32-150-	LP Gas ESS32-150-510LP	Hydrogen ESS32-150-350	Inert Gas ESS32-150-580	Air ESS32-150-346	Carbon Dioxide ESS32-150-320	Argon-CO2 ESS32-80CFH-580	Argon-CO2 ESS32-80CFH-320
8	Adjusting Knob Kit	0790-0250RP	0790-0249RP	0790-0251RP	0790-0250RP	0790-0252RP	0790-0249RP	0790-0251RP	0790-0250RP	0790-0252RP	0790-0254RP	0790-0253RP	0790-0252RP	0790-0253RP
10	Adjusting Spring	0761-0107	0761-0161	0761-0161	0761-0161	0761-0161	0761-0080	0761-0080	0761-0080	0761-0080	0761-0080	0761-0080	0761-0077	0761-0077
11	Seat Assembly Kit	0790-0262RP	0790-0277RP	0790-0262RP	0790-0277RP	0790-0277RP	0790-0277RP	0790-0262RP	0790-0277RP	0790-0277RP	0790-0277RP	0790-0277RP	0790-0277RP	0790-0277RP
16	Retaining Ring	---	1406-0130	---	---	---	1406-0130	---	---	---	---	---	---	---
20	Gauge, Low Pressure *	1435-0227RP	1435-0229RP	1435-0231RP	1435-0231RP	1435-0231RP	1435-0232RP	1435-0233RP	1435-0233RP	1435-0233RP	1435-0233RP	1435-0233RP	1435-0226RP	1435-0226RP
21	Gauge, High Pressure *	1435-0217RP	1435-0221RP	1435-0218RP	1435-0222RP	1435-0222RP	1435-0221RP	1435-0218RP	1435-0222RP	1435-0222RP	1435-0222RP	1435-0222RP	1435-0222RP	1435-0222RP
22	Decal Kit	0790-0279RP	0790-0280RP	0790-0282RP	0790-0286RP	0790-0284RP	0790-0281RP	0790-0283RP	0790-0287RP	0790-0285RP	0790-0288RP	0790-0289RP	0790-0290RP	0790-0290RP

* Spring may include a Spacer Washer on top - be sure to reuse the Spacer Washer if your Regulator included one.

TABLE 2 - Inlet & Outlet

Gas	Inlet Type	I.D. Color	Inlet Nut	Inlet Swivel (w/Filter)	Outlet Connection
Oxygen	CGA 540	GREEN	0967-0044	0967-0033	0950-0068
Oxygen/Nitrogen	992	GREEN	0992-0003	0970-0015	0950-0068
Argon/Helium/Nitrogen	CGA 580	BLACK	0973-0003	0970-0015	0950-0017
Air (Industrial)	CGA 590	BLACK	0974-0003	0970-0015	0960-0014
Air (Breathing)	CGA 346	YELLOW	0972-0015	0972-0009	0960-0014
Carbon Dioxide	CGA 320 *	GREY	0985-0030	0985-0004 *	0950-0017
Hydrogen & Methane	CGA 350	RED	0983-0003	0983-0005	0960-0029
Acetylene	CGA 510	RED	0970-0003	0970-0015	0960-0029
Acetylene	CGA 300	RED	0968-0003	0968-0005	0960-0029
Acetylene	993	RED	0993-0003	0970-0015	0960-0029
LP Gas	CGA 510	ORANGE	0970-0003	0970-0015	0960-0029

* CGA 320 inlet requires inlet washer part number 1408-0065.

TABLE 3 - Relief Valve

REF. NO.	DESCRIPTION	Acetylene, LP Gas	Hydrogen (Vented Relief Valve)		All Other Models	
			ESS32-60-350	ESS32-150-350	ESS32-60-	ESS32-150
	Rel. Valve Nom. Set Pressure -->	---	100	250	100	300
27	Relief Valve Complete Assembly or Pipe Plug	Pipe Plug 1105-0014	0600-0257	0600-0258	0600-0007	0600-0016
27A	Body	---	---	---	0601-0004	0601-0004
27B	Seat	---	---	---	0608-0006	0608-0009
27C	Seat Retainer	---	---	---	0609-0003	0609-0003
27D	Upper Seat	---	---	---	0608-0018	0608-0018
27E	Disc	---	---	---	1406-0016	1406-0016
27F	Spring	---	---	---	0610-0006	0610-0009
27G	Cap	---	---	---	0614-0004	0614-0004

- 24 -

PARTS TABLES: SECTION 2

2.03 G250/G350 EXPLODED VIEW

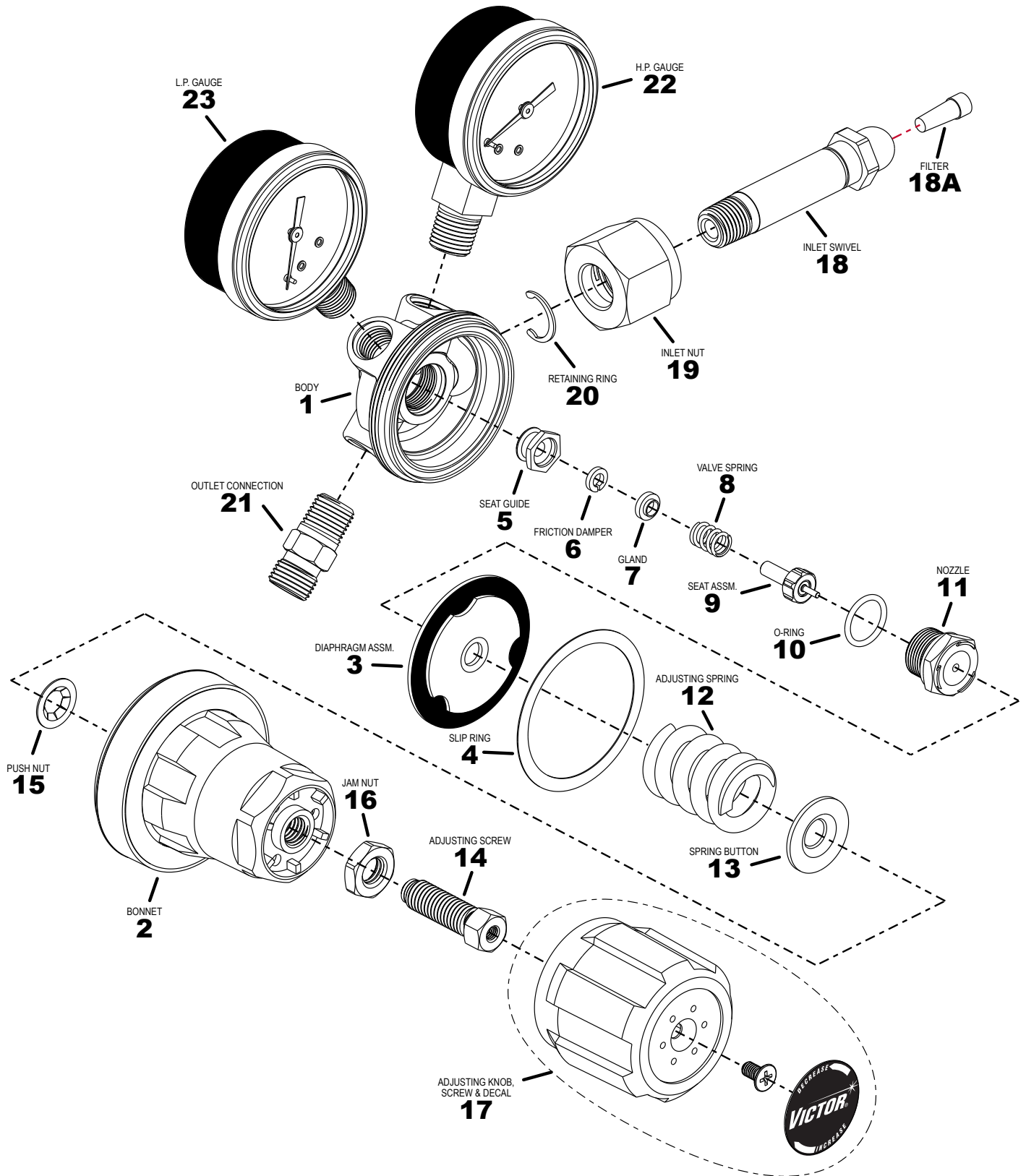


Figure 3: G250/G350 Exploded View

G-SERIES REGULATORS

2.04 PARTS LIST

Ref. No.	Description	G250 Part No.	G350 Part No.	Qty.
1	Body, 4 Port	0701-0680	0701-0684	1
2	Bonnet	0720-0372	0720-0374	1
3	Diaphragm Assembly	0730-0024	0730-0063	1
4	Slip Ring	0705-0004	0705-0010	1
5	Seat Guide	0708-0018		1
6*	Friction Damper	1408-0033		1
7	Gland	0708-0003		1
8	Valve Spring	0762-0006		1
9*	Seat Assembly	TABLE 2		1
10*	O-Ring, Nozzle	1407-0282		1
11	Nozzle	TABLE 2		1
12	Adjusting Spring	TABLE 3		1
13	Spring Button	0706-0018		1
14	Adjusting Screw	0750-0240		1
15	Push Nut Fastener	1406-0109		1
16	Jam Nut	1409-0120		1
17	Adjusting Knob, Screw & Decal	TABLE 2		1
18*	Inlet Swivel w/Filter	TABLE 2		1
18A	Inlet Filter	0717-0003		1
19*	Inlet Nut	TABLE 2		1
20	Retaining Ring	TABLE 3		1
21*	Outlet Connection	TABLE 2		1
22*	Gauge, High Pressure	TABLE 3		1
23*	Gauge, Low Pressure	TABLE 3		1

* Items most commonly required for regulator repair and recommended for stock.

Table 1: G250/G350 Service & Repair (see exploded view for reference numbers)

G-SERIES REGULATORS

Gas	Inlet Type	I.D. Color	17	11	
			Adjusting Knob w/Screw & Decal	Nozzle	
				G250	G350
Oxygen	CGA 540	GREEN	0790-0233RP	0702-0085	0702-0068
Oxygen	992	GREEN	0790-0233RP	0702-0085	0702-0068
Argon/Helium/Nitrogen	CGA 580	BLACK	0790-0236RP	0702-0085	0702-0068
Air (Industrial)	CGA 590	BLACK	0790-0236RP	0702-0085	0702-0068
Air (Breathing)	CGA 346	YELLOW	0790-0238RP	0702-0085	0702-0068
Carbon Dioxide	CGA 320 (a)	GREY	0790-0237RP	0702-0085	0702-0068
Acetylene	CGA 510	RED	0790-0234RP	0702-0068	
Acetylene	CGA 300	RED	0790-0234RP	0702-0068	
Acetylene	993	RED	0790-0234RP	0702-0068	
LP Gases	CGA 510	ORANGE	0790-0235RP	0702-0068	

Table 2A

Gas	Inlet Type	9		19	18	21
		Seat Assembly		Inlet Nut	Inlet Swivel (w/Filter)	Outlet Connection
		G250	G350			
Oxygen	CGA 540	0740-0158	0740-0131	0967-0044	0967-0034	0950-0068
Oxygen	992	0740-0158	0740-0131	0992-0003	0970-0005	0950-0068
Argon/Helium/Nitrogen	CGA 580	0740-0158	0740-0131	0973-0003	0970-0005	0950-0017 (b)
Air (Industrial)	CGA 590	0740-0158	0740-0131	0974-0003	0970-0005	0960-0014
Air (Breathing)	CGA 346	0740-0158	0740-0131	0972-0015	0972-0010	0960-0014
Carbon Dioxide	CGA 320 (a)	0740-0158	0740-0131	0985-0030	0985-0004 (a)	0950-0017 (b)
Acetylene	CGA 510	0740-0101		0970-0003	0970-0005 (c)	0960-0029
Acetylene	CGA 300	0740-0101		0968-0003	0968-0014	0960-0029
Acetylene	993	0740-0101		0993-0003	0970-0005	0960-0029
LP Gases	CGA 510	0740-0101		0970-0003	0970-0005	0960-0029

Table 2B

(a) CGA 320 inlet requires Inlet Washer Part No. 1408-0065.

(b) Flowgauge (GF250/GF350) models must use Outlet Connection with orifice - Part No. 202066.

(c) "WQ" models use extra length Inlet Swivel Part No. 0970-0008.

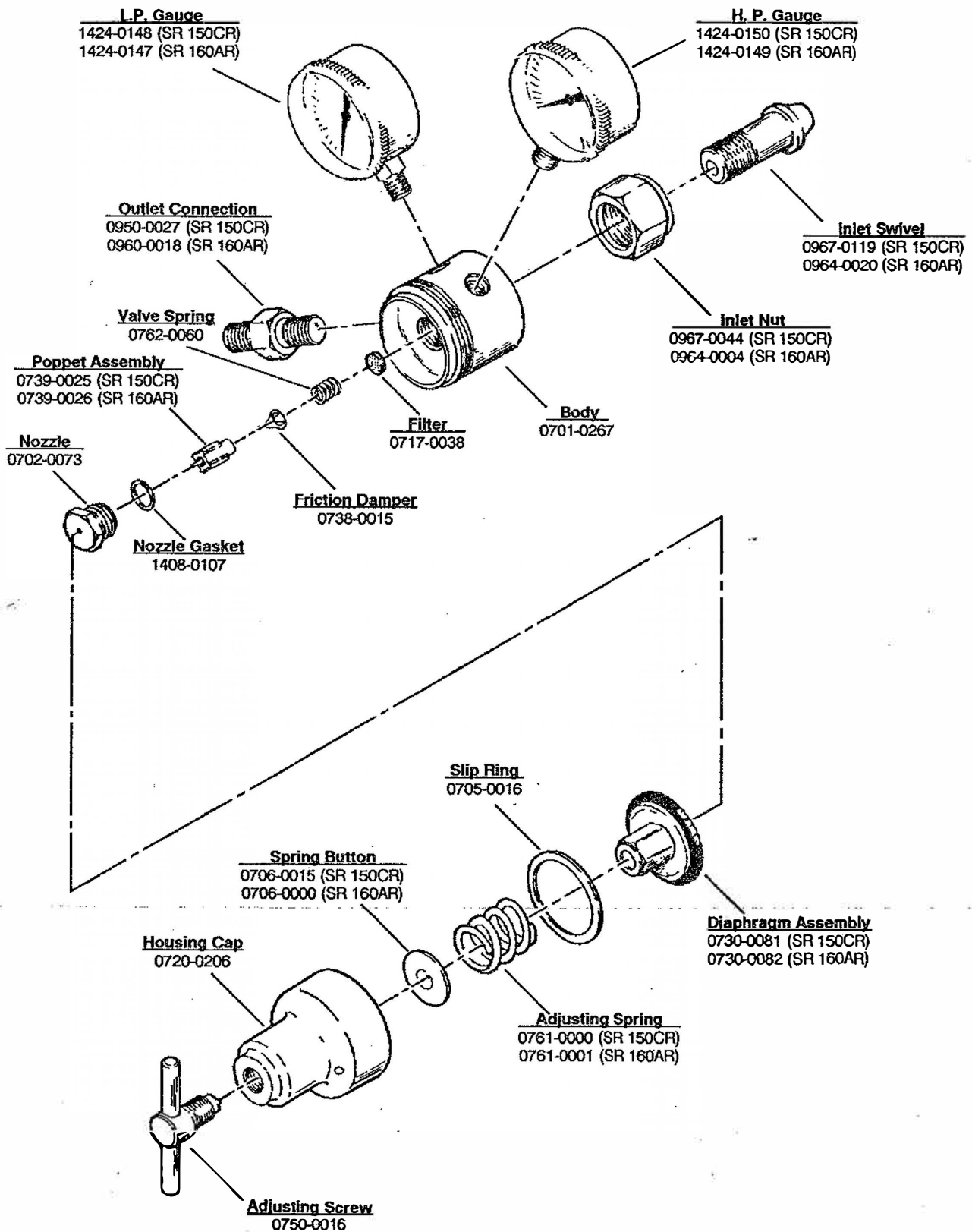
G-SERIES REGULATORS

	12	20	22	23
	Adjusting Spring	Retaining Ring	Gauge, High Pressure (d)	Gauge, Low Pressure (d)
Oxygen				
G250-60-540	0761-0077	1406-0130	1435-0077RP	1435-0069RP
G250-60-992				
G350-60-540	0761-0080			
G350-60-992				
G250-150-540	0761-0090	1406-0130	1435-0077RP	1435-0071RP
G250-150-992				
G350-150-540	0761-0098			
G350-150-992				
Acetylene				
G250-15-510	0761-0107	-	1435-0075RP	1435-0067RP
G250-15-300				
G250-15-993				
G350-15-510	0761-0089			
G350-15-300				
G350-15-993				
LP Gas				
G250-60-510LP	0761-0077	-	1435-0076RP	1435-0070RP
G350-60-510LP	0761-0080			
Flow Gauge				
GF250-50-580	0761-0077	-	1435-0078RP	1435-0074RP
GF250-50-320				
All Other Models				
G250-60-	0761-0077	-	1435-0078RP	1435-0070RP
G350-60-	0761-0080			
G250-150-	0761-0090		1435-0078RP	1435-0072RP
G350-150-	0761-0098			

Table 3

(d) To replace Lens only - Replacement Lens Part No. 1429-0027.

SR 150CR and SR 160AR Regulators



Victor SR 250 & SR 260

Repair kits

Oxygen 0790-0048

parts included:

Seat Assembly
(0790-0010)

Nozzle gasket
(1408-0086)

Friction washer
(1408-0033)

Diaphragm assembly
(0730-0024)

Acetylene 0790-0051

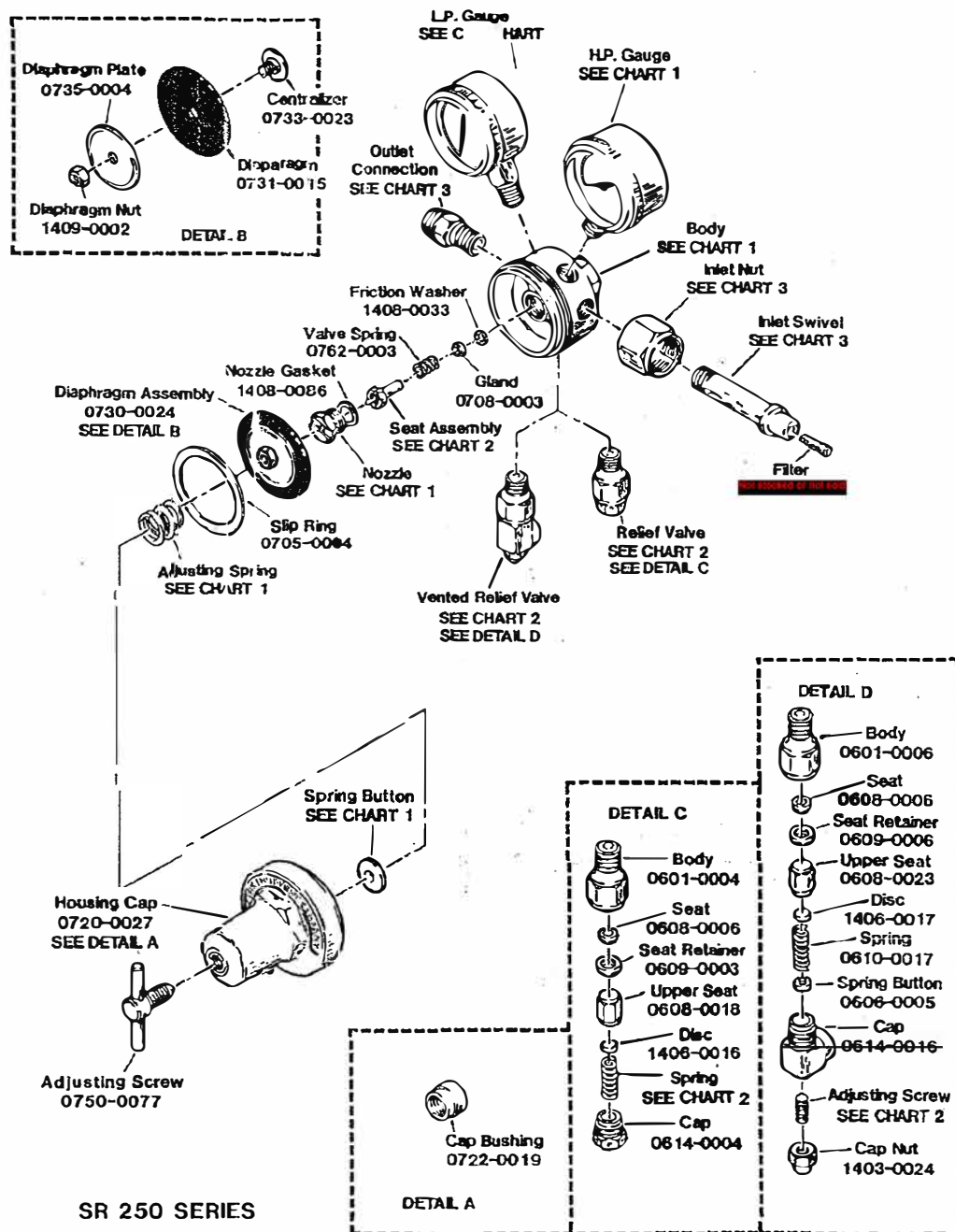
parts included:

Seat Assembly
(0740-0105)

Nozzle gasket
(1408-0086)

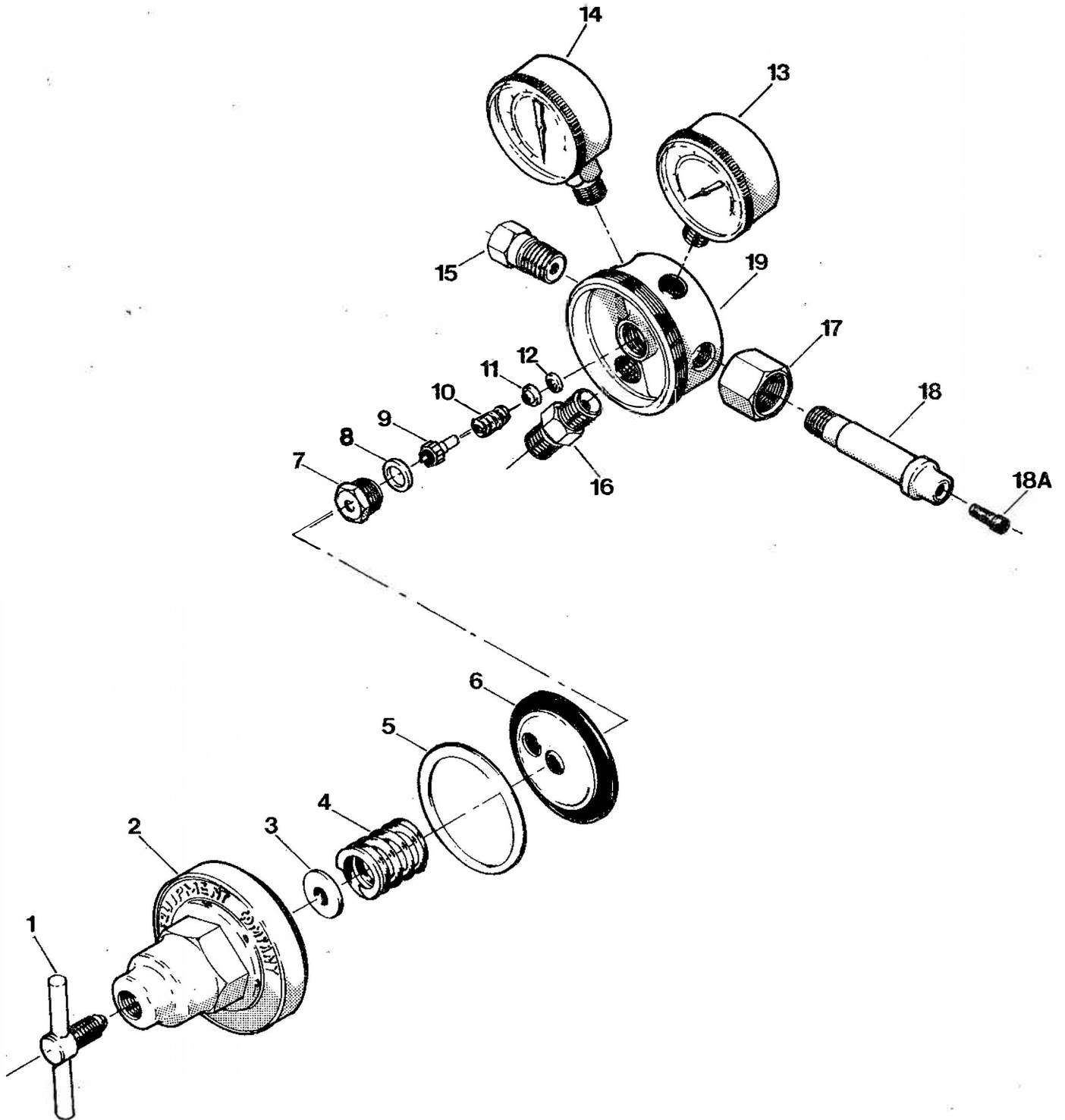
Friction washer
(1408-0033)

Diaphragm rubber
(0730-0015)



Gas	Seat Assembly
Oxygen	0740-0010
Argon/Helium/Nitrogen	0740-0010
Air (Industrial)	0740-0010
Air (Breathing)	0740-0010
Hydrogen	0740-0141
Carbon Dioxide	0740-0008
Acetylene	0740-0105
Acetylene	0740-0105
Propane/Butane/MAPP®	0740-0105

VICTOR SR350 & SR360



PARTS LIST

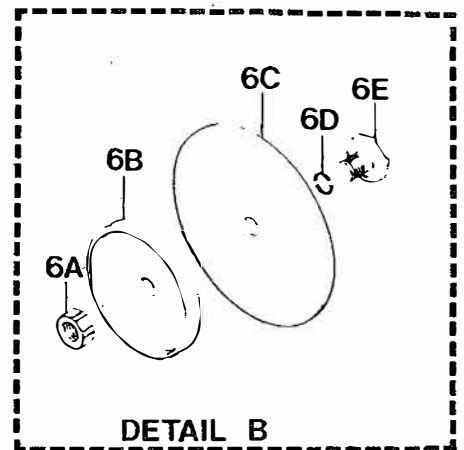
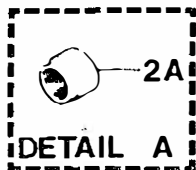
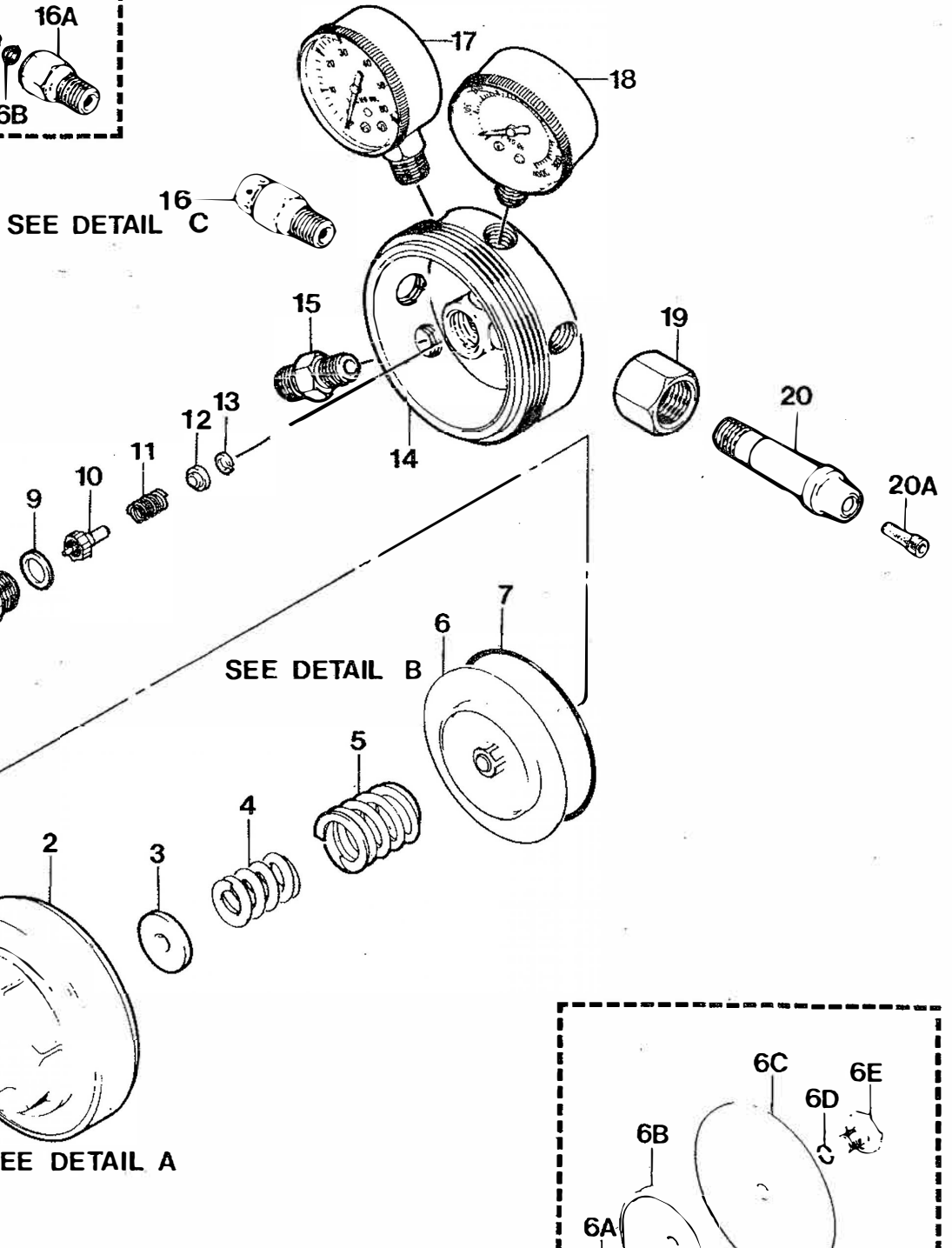
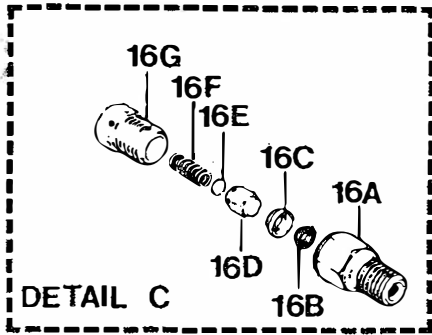
REF. NO.	DESCRIPTION	SR 350	SR 360/SR 361
1	Adjusting Screw Assembly	0750-0069	0750-0069
2	Spring Housing Cap	0720-0184	0720-0184
† 2A	Spring Housing Cap Bushing	0722-0040	0722-0040
3	Spring Button	See Chart I	See Chart I
4	Adjusting Spring	See Chart I	See Chart I
5	Slip Ring	0705-0010	0705-0010
† 6	Diaphragm Assembly	0730-0060	0730-0060
7	Nozzle	0702-0054	0702-0054
† 8	Nozzle Gasket	1408-0086	1408-0086
† 9	Seat Assembly	0740-0131	0740-0101
10	Valve Spring	0762-0006	0762-0006
11	Gland	0708-0003	0708-0003
† 12	Friction Washer	1408-0033	1408-0033
† 13	Gauge — H.P.	See Chart I	See Chart I
† 14	Gauge — L.P.	See Chart I	See Chart I
† 15	Relief Valve	See Chart I	None
† 16	Outlet Connection	0950-0068	0960-0029
† 17	Inlet Nut	See Chart II	See Chart II
18	Inlet Swivel w/Filter	See Chart II	See Chart II
18A	Filter	0717-0003	0717-0003
19	Body	0701-0220	0701-0207

†Item most commonly required for regulator repair and recommended for stock.

**CHART I
ADJUSTING SPRING AND GAUGE INFORMATION**

REF NO.	DESCRIPTION	SR 350C	SR 350D	SR 360A	SR 361C
3	Spring Button	0706-0020	0706-0001	0706-0001	0706-0001
4	Adjusting Spring	0761-0090	0761-0098	0761-0089	0761-0090
13	Gauge — H.P.	1424-0057	1424-0057	1424-0046	1424-0046
14	Gauge — L.P.	1424-0036	1424-0039	1424-0034	1424-0036
	Gauge Lens	1429-0026	1429-0026	1429-0026	1429-0026
15	Relief Valve	0600-0007	0600-0014	None	None

VICTOR SR450 SR460



PARTS LIST

REF. NO.	DESCRIPTION	SR 450, M SR 452, M SR 453, M	SR 460, M SR 461, M
1	Adjusting Screw	0750-0007	0750-0007
2	Housing Cap w/Bushing	See Chart I	See Chart I
+ 2A	Cap Bushing	0722-0003	0722-0003
3	Spring Button	0706-0005	0706-0019
4	Adjusting Spring (Inner)	See Chart I	None
5	Adjusting Spring (Outer)	See Chart I	See Chart I
6	Diaphragm Assembly	0730-0030	0730-0030
6A	Diaphragm Nut	0743-0037	0743-0037
6B	Diaphragm Plate	0735-0016	0735-0016
6C	Diaphragm	0731-0016	0731-0016
+ 6D	O-Ring	1407-0008	1407-0008
6E	Centralizer	0733-0041	0733-0041
+ 7	Diaphragm O-Ring	1407-0187	1407-0187
8	Nozzle	0702-0054	0702-0054
+ 9	Nozzle Gasket	1408-0086	1408-0086
+ 10	Seat Assembly *	See Chart III	See Chart III
11	Valve Spring	0762-0006	0762-0006
12	Gland	0708-0003	0708-0003
+ 13	Friction Bushing	1408-0033	1408-0033
14	Body	0701-0202	0701-0203
+ 15	Outlet Connection	See Chart III	See Chart III
16	Relief Valve	See Chart II	None
+ 17	Gauge, L. P.	See Chart I	See Chart I
+ 18	Gauge, H. P.	See Chart I	See Chart I
+ 19	Inlet Nut	See Chart III	See Chart III
+ 20	Inlet Swivel w/Filter	See Chart III	See Chart III
20A	Filter	0717-0003**	0717-0003**

**Cylinder Models Only

CHART I

ADJUSTING SPRING & GAUGE INFORMATION

REF. NO.	DESCRIPTION	SR 450A SR 452A SR 453A	SR 450B SR 452B SR 453B	SR 450D, MD SR 452D, MD SR 453D, MD	SR 450E, ME SR 452E, ME SR 453E, ME	SR 460A, MA	SR 461B, MB	SR 461D, MD
2	Housing Cap	0720-0043	0720-0043	0720-0043	0720-0052	0720-0043	0720-0043	0720-0043
4	Adj. Spring (Inner)	None	None	None	0761-0085	None	None	None
5	Adj. Spring (Outer)	0761-0002	0761-0005	0761-0006	0761-0086	0761-0004	0761-0005	0761-0006
17	Gauge, L.P.	1424-0029	1424-0035	1424-0039	1424-0046	1424-0034	1424-0035	1424-0039
18	Gauge, H.P.	1424-0057	1424-0057	1424-0057	1424-0057	1424-0046	1424-0046	1424-0046

CHART II

SAFETY VALVE INFORMATION

REF. NO.	DESCRIPTION	SR 450A SR 453A	SR 450B SR 453B	SR 450D, MD SR 453D, MD	SR 450E, ME SR 453E, ME	SR 452A	SR 452B	SR 452D, MD	SR 452E, ME
16	Relief Valve	0600-0003	0600-0005	0600-0014	0600-0018	0600-0065	0600-0060	0600-0066	0600-0071
16A	Body	0601-0004	0601-0004	0601-0004	0601-0006	0601-0006	0601-0006	0601-0006	0601-0006
+ 16B	Seat	0608-0006	0608-0006	0608-0006	0608-0009	0608-0006	0608-0006	0608-0006	0608-0009
16C	Seat Retainer	0609-0003	0609-0003	0609-0003	0609-0006	0609-0006	0609-0006	0609-0006	0609-0006
16D	Upper Seat	0608-0018	0608-0018	0608-0018	0608-0023	0608-0023	0608-0023	0608-0023	0608-0023
16E	Disc	1406-0016	1406-0016	1406-0016	1406-0017	1406-0017	1406-0017	1406-0017	1406-0017
16F	Spring	0610-0004	0610-0005	0610-0008	0610-0013	0610-0017	0610-0016	0610-0016	0610-0014
16G	Cap	0614-0004	0614-0004	0614-0004	0614-0006	0614-0016	0614-0016	0614-0016	0614-0016
not/shown	Spring Button	None	None	None	None	0606-0005	0606-0005	0606-0005	0606-0005
not/shown	Adj. Screw	None	None	None	None	1401-0007	1401-0008	1401-0008	1401-0008
not/shown	Cap Nut	None	None	None	None	1403-0024	1403-0024	1403-0024	1403-0024

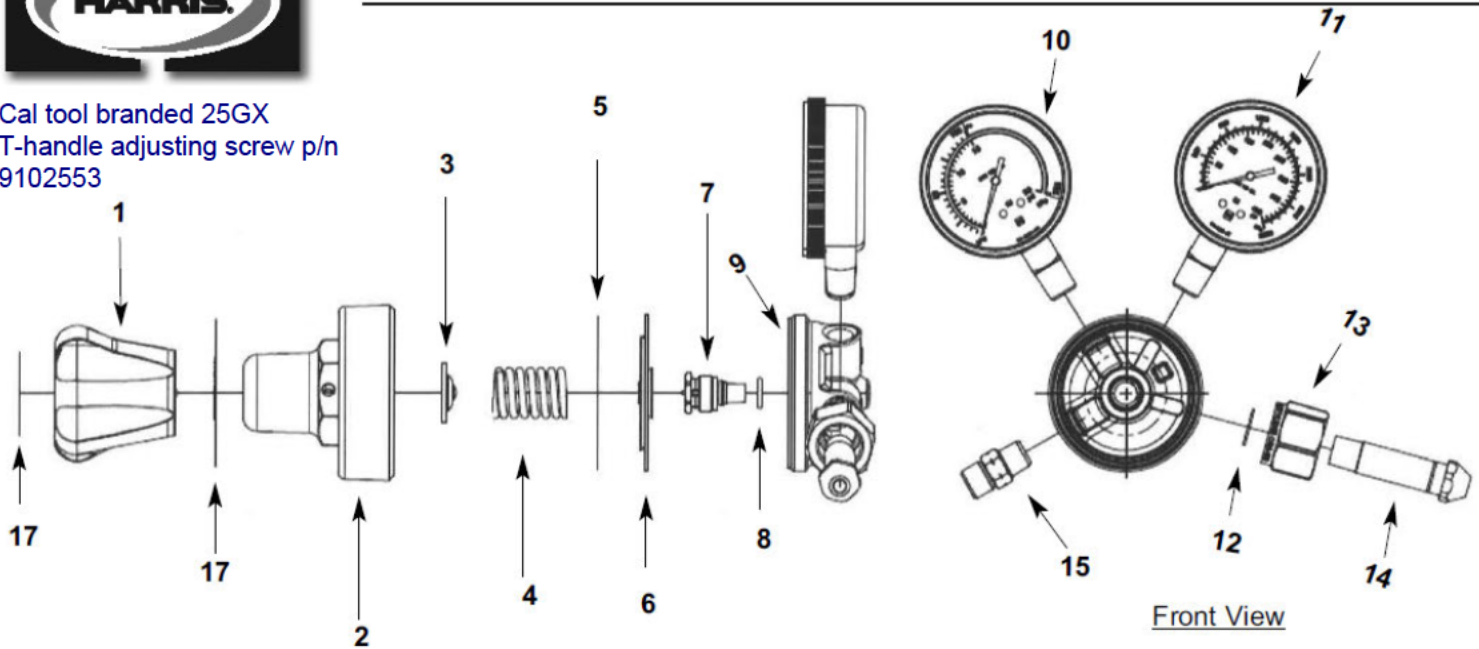
+ ITEMS MOST COMMONLY REQUIRED FOR REGULATOR REPAIR AND RECOMMENDED FOR STOCK



SINGLE STAGE REGULATOR

25GX

Cal tool branded 25GX
T-handle adjusting screw p/n
9102553



Product Key

PART NO.	MODEL NO.	DESCRIPTION	CODE
3000350	25GX-15-300	Single Stage Regulator, Acetylene	A
3000380	25GX-15-510	Single Stage Regulator, Acetylene	B
3000450	25GX-50-510P	Single Stage Regulator, Propane	C
3000510	25GX-145-540	Single Stage Regulator, Oxygen	D

Product Key

PART NO.	MODEL NO.	DESCRIPTION	CODE
3000540	25GX-145-580	Single Stage Regulator, Ar, He, N2	E
3000550	25GX-145-590	Single Stage Regulator, Ind. Air	F
3000806	25GX-200-580	Single Stage Regulator, Ar,He,N2	G

Parts List

REF. NO.	PART NO.	MODEL NO.	DESCRIPTION	CODE	REF. NO.	PART NO.	MODEL NO.	DESCRIPTION	CODE
1	9102551*	G2528	KNOB	A-F	11	Not stocked or not sold		GAUGE,400 PSI ST GOLD 2.5"	A-C
			ADJ-SCR (NOT SHOWN)	G				GAUGE,4000 PSI ST GOLD 2.5"	D-G
2			BONNET	A-F	12			RING-RETAINING	A,D
			BONNET-ASY	G	13			NUT,CGA 300 ACET	A
3			PIVOT	A-F				NUT,6659-C-510 ACET	B
			PIVOT	G				NUT,CGA510P PROPANE	C
4			SPRING	D,E,F				NUT,CGA 540 OXYGEN	D
			SPRING	A,B				NUT,CGA 580	E,G
			SPRING	C				NUT,CGA 590	F
			SPRING	G	14			STEM,CGA 300 1/4"NPT 2.5	A
5	9001230	2571	RING-SLIP	A,B				STEM,CGA 580/510/590/500-1/4NP	B,C,E-G
6	9100803	B-25	DIAPH-ASY,B-25W/VIB-DAMP	C-G				STEM,CGA 540-1/4NPT 2.5 LONG	D
	9100146	B-25	DIAPH-ASY, B-25	A,B				NIPPLE-OUTLET,957-L	A-C,F
7	9100845*	A-301	VALVE-ASY,A-301.105 W/PTFE HCB	A-G				NIPPLE-OUTLET,957-R	D,E,G
8	9005112	30196	SEAL, VALVE ASY/905-2347	A-G	16			ADAPTOR,9/16-18X5/8-18FF(not shown)	E,G
			BODY,25GX	A-G	17			NAMEPLATE & KNOB DECAL, (not sold)	
10			GAUGE,30#RZ ST GOLD 2.5"	A,B					
			GAUGE,60 PSI ST GOLD 2.5"	C					
			GAUGE,200 PSI ST GOLD 2.5"	D,E,F					
			GAUGE,400 PSI ST GOLD 2.5"	G					

Service Notes: * NOT USED ON MODEL 25

HARRIS 25GX REPAIR KIT P/N RK-25GX

PARTS INCLUDED:

#5 SLIP RING

#6 DIAPHRAGM (GAS SPECIFIC)

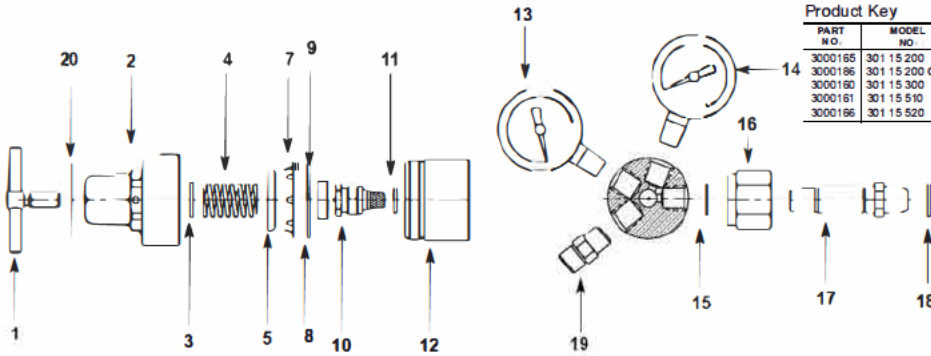
#7 VALVE (SEAT)

#8 O-RING (SEAT)



SINGLE STAGE REGULATOR

301



Product Key

PART NO.	MODEL NO.	DESCRIPTION	CODE	PART NO.	MODEL NO.	DESCRIPTION	CODE
3000165	301 15 200	Single Stage Acetylene	A	3000185	301 15 520 GA	Single Stage Acetylene	F
3000186	301 15 200 GA	Single Stage Acetylene	B	3000191	301 50 320	Single Stage CO ₂	G
3000180	301 15 300	Single Stage Acetylene	C	3000192	301 100 320	Single Stage CO ₂	H
3000161	301 15 510	Single Stage Acetylene	D	3000162	301 100 540	Single Stage Oxygen	I
3000166	301 15 520	Single Stage Acetylene	E	3000187	301 100 580	Single Stage Ar/N ₂ /He	J

Parts List

REF. NO.	PART NO.	MODEL NO.	DESCRIPTION	CODE	REF. NO.	PART NO.	MODEL NO.	DESCRIPTION	CODE
1	9100002	A-01	Adjusting screw	A thru J		Not stocked or not sold		Gauge, 2" 4000# 678	H, I, J
2	9000019	0111-13	Bonnet	A thru J	15	9005133		Ring, Retaining	A, B
3	Not stocked or not sold		Pivot	A thru F		9004030	92X71	Ring, Retaining	C, G, H, I
4	Not stocked or not sold		Pivot	G, H, I, J	16	Not stocked or not sold		Nut, Acetylene CGA-200	A, B
	Not stocked or not sold		Spring	A thru F		Not stocked or not sold		Nut, Acetylene CGA-300	C
	Not stocked or not sold		Spring	G		Not stocked or not sold		Nut, Acetylene CGA-510	D
	Not stocked or not sold		Spring	H, I, J		Not stocked or not sold		Nut, Acetylene CGA-520	E, F
5	9000028	0133	Disc	A thru J		Not stocked or not sold		Nut, CO ₂ CGA-320	G, H
6	9000058	0171	Slip Ring (not shown)	A thru F		Not stocked or not sold		Nut, Oxygen CGA-540	I
7	9005215	30185	Damper, Vibration	G thru J	17	Not stocked or not sold		Nut, Ar/N ₂ /He CGA-580	J
8	9005120	30132	Diaphragm	A thru J		Not stocked or not sold		Inlet Stem, 1/4 NPT - 2"	A, B
9	9005122	30166	Plate, Plunger	A thru J		Not stocked or not sold		Inlet Stem, 1/4 NPT - 2.5"	C
10	9100601	A-301-0	Capsule Assy. .070	A thru J		Not stocked or not sold		Inlet Stem, 1/4 NPT - 2"	D, J
11	9005112	30196	O-ring, capsule	A thru J		Not stocked or not sold		Inlet Stem, 1/4 NPT - 2.5"	E, F
12	Not stocked or not sold		Body	A, C, D, E, H, I, J		Not stocked or not sold		Inlet Stem, 1/4 NPT - 2.5"	G, H
	Not stocked or not sold		Body	B, F, G	18	9002910	6639	Gasket, Nylon	I
	Not stocked or not sold		Body	G		9002908	6639-G	Gasket	G
13	Not stocked or not sold		Gauge, 2" 30# RZ 674	A, C, D, E	19	Not stocked or not sold		Nipple - Outlet	A thru F
	Not stocked or not sold		Gauge, 2" 60 # 672	G		9000194	957-R	Nipple - Outlet	G thru J
	Not stocked or not sold		Gauge, 2" 200# 673	H, I, J	20			Nameplate (not sold)	A thru J
14	Not stocked or not sold		Gauge, 2" 400# 677	A thru F					

NOTE: Item #6 replaces item #7 in some regulator models.
Earlier model's could have been manufactured with Single Increment Gauges

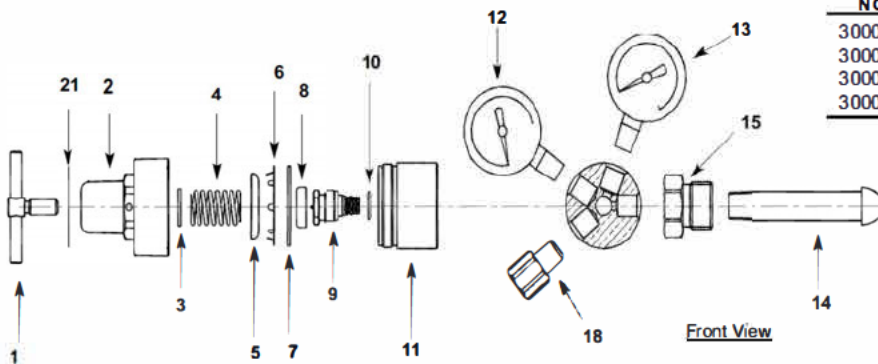
Service Notes

FLOW GAUGE REGULATOR 301 AR/CD



Product Key

PART NO.	MODEL NO.	DESCRIPTION	CODE
3000163	301 AR60 580	Flow Gauge, Carbon	A
3000164	301 CD60-320	Flow Gauge, Argon Dioxide	B
3000232	301 AR30 580	Flow Gauge, Argon	C
3000244	301 AR60 680	Flow Gauge, Ar, (3001 5500 psig)	D



Parts List

REF. NO.	PART NO.	MODEL NO.	DESCRIPTION	CODE	REF. NO.	PART NO.	MODEL NO.	DESCRIPTION	CODE
1	9100002	A-01	Adjusting screw	A thru D	12	Not stocked or not sold		Gauge, 2" 60 SCFH (Ar/CO ₂)	A, B, D
	Not stocked or not sold	Not stocked or not sold	Bonnet	A thru C		Not stocked or not sold		Gauge, 2" 30 SCFH	C
	Not stocked or not sold	Not stocked or not sold	Bonnet, 6 Vent Holes	D	13	Not stocked or not sold		Gauge, 2" 4000# 678	A thru C
	Not stocked or not sold	Not stocked or not sold	Pivot	A thru D		Not stocked or not sold		Gauge, 2" 6000#	D
	Not stocked or not sold	Not stocked or not sold	Spring	A, B, D	14	Not stocked or not sold		Inlet Stem, 1/4 NPT - 2"	A, C
	Not stocked or not sold	Not stocked or not sold	Spring, 0185	C		Not stocked or not sold		Inlet Stem, 1/4 NPT - 2.5"	B
	Not stocked or not sold	Not stocked or not sold	Disc	A thru D		Not stocked or not sold		Inlet Stem, 1/4 NPT - 3.0	D
6	9005215	30185	Damper, Vibration	A thru D	15	Not stocked or not sold	Not stocked or not sold	Nut, CO ₂	B
7	9005120	30132	Diaphragm	A thru D		Not stocked or not sold		Nut, Ar/N ₂ /He	A, C
8	9005122	30166	Plate, Plunger	A thru C		Not stocked or not sold		Nut, Ar/N ₂ /He	D
	9000641	60133	Cap, 60133	D	16	9004030	92X71	Ring, Retaining (not shown)	B
9	9100601	A-301-0	Capsule Assy. .070	A thru C	17	9002908	6639	Gasket (not shown)	B
	9100841	A-301-070	Capsule Assy. A-301.070 W/CTFE	D	18	Not stocked or not sold		Nipple, 957-R-64 Female	A, B, D
10	9005112	30196	O-ring, Capsule	A thru D	19	Not stocked or not sold		Nipple, 957-R-76 Female	C
	Not stocked or not sold	Not stocked or not sold	Body	A thru D				Nameplate (not sold)	A, B

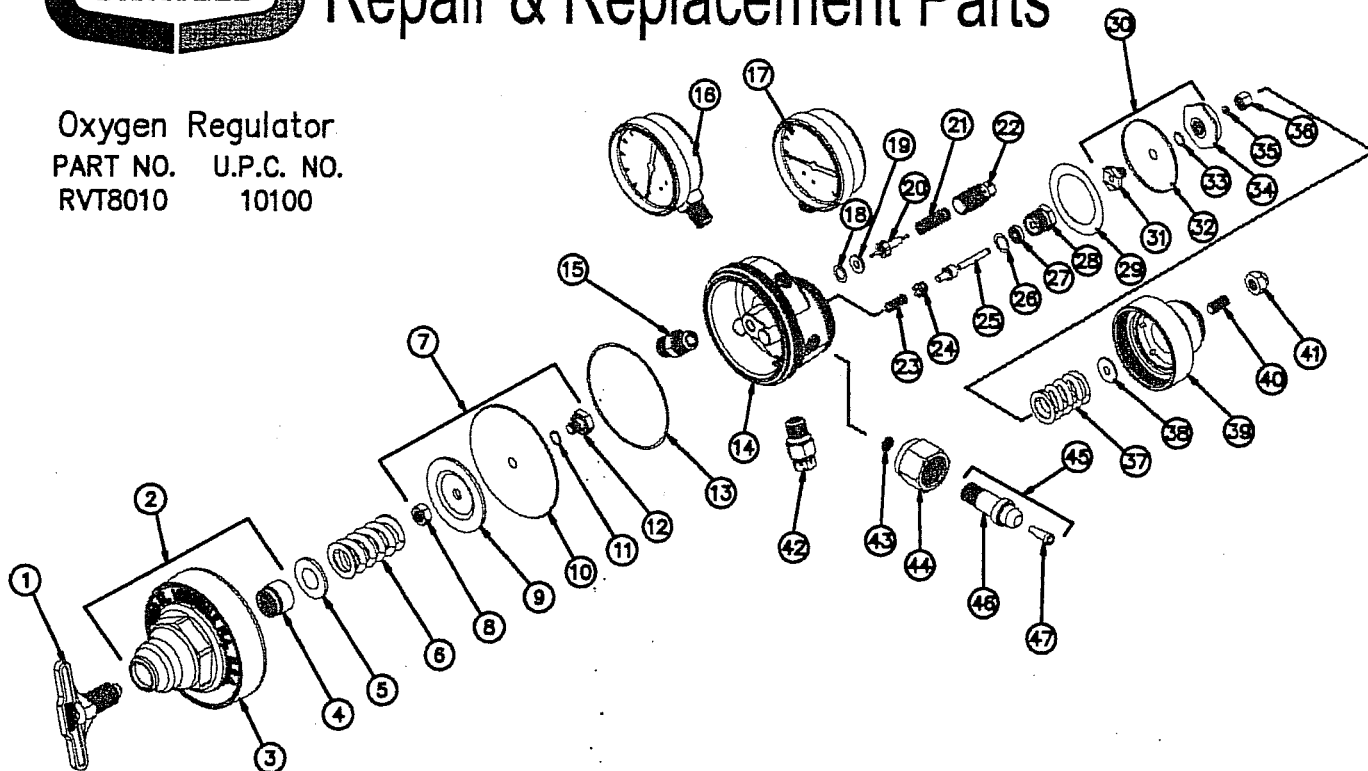
NOTE: Products coded A thru B produced after April 1, 1995 incorporate item 18 replacing 916 outlet (9100911) and adaptor (9000002).
Earlier model's could have been manufactured with Single Increment Gauges

Service Notes



Repair & Replacement Parts

Oxygen Regulator
 PART NO. U.P.C. NO.
 RVT8010 10100



REF. NO.	PART NO.	DESCRIPTION	REF. NO.	PART NO.	DESCRIPTION
1	RV23-4A	P.A. Screw Assembly	25	RVTC-2	Seat Assembly, H.P.
2	RV29A	Bonnet Assembly	26	RV41-2	Seal, H.P.
3	RV29	Bonnet	27	RV13	Nozzle, H.P.
4	RV47	Bonnet Insert	28	RVT70-2	Nozzle Holder, H.P.
5	RV28	Spring Button	29	RVT41-6	Seal Ring
6	RVX83	P.A. Spring	30	RVD-2	Diaphragm Assembly, H.P.
7	RVD	Diaphragm Assembly	31	RVT99-2	Center Guide
8	RV59	Diaphragm Nut	32	RVT09	Diaphragm
9	RV10	Diaphragm Plate	33	X04R	O-Ring
10	RV09	Diaphragm	34	RVT10	Diaphragm Plate
11	X04R	O-Ring	35	RVT41-3	Lock Washer
12	RV99	Guide	36	RVT59-2	Diaphragm Nut
13	X33R	O-Ring	37	RVTX83-7	Spring, H.P.
14	RVT34	Body	38	RVT28	Spring Button
15	8011	Outlet Connection	39	RVT29-2	Bonnet
16	G24	2.5 x 200 LB. Gauge	40	RVTX23-3	P.A. Screw
17	G27	2.5 x 4000 LB. Gauge	41	RVT59-3	Cap Nut
18	RVT41	Seal, L.P.	42	RV96-2	Relief Valve Assembly
19	RVT13	Nozzle, L.P.	43	RVX53	Inlet Screen
20	RVTC	Seat Assembly, L.P.	44	8059-2	Inlet Nut, CGA540
21	RVTX83	Seat Spring, L.P.	45	8012-2A	Inlet Nipple & Filter
22	RVT70	Nozzle Holder, L.P.	46	8012-2	Inlet Nipple, CGA540
23	RV96X83	Seat Spring, H.P.	47	80X31-2	Metal Filter
24	RVT99	Friction Bushing			

WARRANTY CLAUSE: Uniweld believes the information contained herein to be reliable. However, the technical information is given by Uniweld without charge and the user shall employ such information at his own discretion and risk. Uniweld assumes no responsibility for results or damages incurred from the use of such information in whole or in part.

WARRANTY EXPRESSED OR IMPLIED INCLUDING WARRANTIES OF MERCHANT ABILITY AND FITNESS OF PURPOSE ARE NULL AND VOID IF THE EQUIPMENT IS ALTERED, DAMAGED OR MISUSED IN ANYWAY OR IF THE EQUIPMENT IS NOT REPAIRED BY UNIWELED OR A UNIWELED AUTHORIZED STATION USING UNIWELED PARTS. (UL LISTING VOID UNLESS GENUINE UNIWELED PARTS USED)

IF YOU HAVE QUESTIONS REGARDING THE SAFE AND PROPER OPERATION OF THIS EQUIPMENT, PLEASE CONTACT OUR TECHNICAL SERVICE CENTER AT 800.323.2111 MONDAY THRU FRIDAY (excluding holidays) 8:15 AM TO 4:45 PM EST



UNIWELED PRODUCTS, INC. 2850 RAVENSWOOD ROAD, FT. LAUDERDALE, FL 33312-4994 U.S.A.
 800.323.2111 • 954.584.2000 • FAX: 954.587.0109 • info@uniweld.com • www.uniweld.com