

DT2020

DT[®]

Components
Drivetrain Products
Marketed by The Timken Corporation

**Differential, Transmission,
Transaxle & Transfer Case Rebuild
Kits and Related Products**



Part Number	Part Type	Qty	Comment	Application
533078	Axle Bearing and Hub Assembly	2	F100 (8 Stud) Frame 1107904	4WD
533079	Axle Bearing and Hub Assembly	2	F100 (8 Stud) Frame 1107904	4WD
533080	Axle Bearing and Hub Assembly	2	F100 (7 Stud) Frame 1107904	4WD
533081	Axle Bearing and Hub Assembly	2	F100 (7 Stud) Frame 1107904	4WD
533251	Wheel Bearing	2		4WD
590397	Wheel Seal	2		
6196179	Wheel Bearing	2		
62158510	Wheel Bearing	2	Optional Repair Bearing, Sprockets, Sigs & Seal	

View the DT Components E-Catalog for additional product listings by vehicle, the most current application information along with product specifications and images.

www.dtcomponents.com

North Coast Bearings markets and distributes differential rebuild kits, transmission rebuild kits and related products to the heavy, medium and light duty aftermarkets under the DT Components[®] product line. The brand was created through a strategic alliance with The Timken Company.



North Coast Bearings services customers from our 110,000 square foot Avon, Ohio facility along with a distribution center in Sparks, Nevada. The DT Components brand of kits are also available from additional Timken distribution centers throughout the world.



Over 2,600 Different Rebuild Kits

After nearly 25 years of success, Timken and North Coast Bearings have extended their strategic alliance to continue providing customers outstanding value into the future.

Our continually growing product line includes rebuild kits for the broadest range of on highway vehicles along with complementing gearing, axle shafts, u-joints and related products. Please visit our website for the latest news, information and literature on all of the North Coast Bearings products.

DT Components is the most recognized and respected brand of differential and transmission rebuild kits in North America. Our mission is to provide the best value in differential and transmission kits and components. Best value means Timken[®] tapered roller bearings, the best order fill, the fastest in-house turn-around time, US manufacturers' product where available, superior quality and personalized service.

North Coast Bearings is a member of the Bearingtech family of companies. These include:

- **Bearing Technologies** – Engineers and manufactures OEM quality wheel end products and OEM center support bearings
- **Micron Metalworks** – Machining division for automotive wheel end products
- **Coast to Coast**[™] – Provider of competitively priced line of quality hub assemblies, bearings, seals and related products to automotive warehouse distributors



Snap this QR code with your smartphone app to visit our web site.



How To Use This Catalog

This catalog is divided into 6 main sections

1. Heavy Duty Differentials
2. Heavy Duty Transmissions and Transfer Cases
3. Light Duty Differentials
4. Light Duty Transmissions
5. Light Duty Transfer Cases
6. Driveshaft, Wheel End Products, Interchanges and Misc. Products

The Indexes for Heavy Duty Differentials, Transmissions and Transfer Cases are divided by the unit manufacturer and model number. Unless noted under the comments column, the rebuild kit services all ratios and variations for the model listed.

The Indexes for Light Duty Differentials, Transmissions and Transfer Cases are divided by vehicle manufacturer and model number/axle size. Make sure you have the correct date the vehicle was manufactured. Most models have evolved over time and there may be several kits for your particular vehicle depending upon when it was made.

Common Light Duty Differentials have their own product page by model number/axle size that lists gearing and other related products that are available.

Common Light Duty Transmissions and Transfer Cases also have their own product page by model number that lists gearing, synchronizers and related products.

We have also reprinted product information from our vendors with their permission on Heavy Duty Axles and Heavy Duty Differentials for your convenience.

Kit Bill Of Materials are listed in numeric sequence in four sections immediately after their related indexes.

www.dtcomponents.com

View the DT Components E-Catalog for additional product listings by vehicle, the most current application information along with product specifications and images.

Snap this QR code with your smartphone app to view our electronic catalog.



DT Components - Electronic Catalog
http://catalog.dtcomponents.com/

DT Components
Drivetrain Products
Marketed by The Timken Corporation

PARTS CATALOG

Application Diff/Trans Kits Cross Reference Part Search

Year: 2008 Make: FORD Model: F-150 Product: WHEEL BEARINGS, SEALS Engine: All

Location	Part Number	Part Type	Qty	Comment	Application
FRONT	515079	Axle Bearing and Hub Assembly	2	F150 (8 Stud) From 11/29/04	AWD
FRONT	515079	Axle Bearing and Hub Assembly	2	F150 (6 Stud) From 11/29/04	4WD
FRONT	515080	Axle Bearing and Hub Assembly	2	F150 (7 Stud) From 11/29/04	AWD
FRONT	515080	Axle Bearing and Hub Assembly	2	F150 (7 Stud) From 11/29/04	4WD
FRONT	517014	Wheel Bearing	2		RWD
REAR	100357	Wheel Seal	2	Viton	
REAR	R1561TV	Wheel Bearing	2		
REAR	RP1561FO	Wheel Bearing	2	Optional Repair Bearing; Replaces Brg & Seal	

What's New In This Catalog

Kit Bill Of Materials are now split into four sections and printed immediately after their related indexes and are listed in numeric sequence.

The DT2020 catalog provides the most complete offering of rebuild kits and related products for automotive, light and commercial vehicles. Below are highlights of the most recent additions to our product coverage.

Heavy Duty Differential

- Dana 155/156 axles
- Dana 170/190 axles (2013 and newer)
- Dana 172 axles

Heavy Duty Transmission

- Eaton 40 new kits for transmissions with redesigned rear housing and output bearing.
- Eaton Fuller Advantage and new Ultrashift Plus models
- Volvo / Mack I-Shift 2412, 2512, 2612, 2812 and 3112 models
- Detroit DT12 Transmissions

Light Duty Differential

- Chevrolet Colorado/GMC Canyon with Dana Front M190 and Rear M220/M220(2015-On)
- Chevrolet Silverado/GMC Sierra Trucks with AAM 9.5" and 9.76" axles (2014-On)
- Jeep Wrangler JL and Jeep Gladiator JT with Dana 35 and Dana 44 Axles (2018-On)
- Ford Mustang with 8.8" HD axle (2015-On)
- Ford F150 Trucks with 8.8" HD axle (2015-On)
- Ford F250/F350 Super Duty with Dana M275 and M300 Axles (2017-On)
- RAM Trucks with AAM 11.5" and 11.8" axle (2014-On)
- Toyota Tacoma with 8.75" axle (2016-On)

Light Duty Transfer Case

- Magna Steyr Product Pages including Hard Parts
- Jeep Grand Cherokee with Magna Steyr MP2010 (2011-On)
- Jeep Wrangler with Magna Steyr MP3022 (2018-On)
- Ram 2500/3500 Trucks with Borg Warner 4444/4445 (2012-On)
- Ram 2500/3500 Trucks with Borg Warner 4446/4447 (2012-On)
- Ram 1500 Trucks with Borg Warner 4444/4445 (2012-2018)
- Ram 1500 Trucks with Borg Warner 4811/4812 (2019-On)

Light Duty Transmission

- Tremec TR-6060 transmission rebuild kits available for various applications
- Jeep Wrangler with NSG 370 transmissions synchro rings (2005-On)
- Ram Trucks with G56 transmissions synchro rings (2005-On)
- G56 Hard Parts are now available
- NSG 370 Hard Parts are now available

Center Support Bearings & Driveline Products

- HB210661-1XSA is a self aligning version of the HB210661-1X and allows the bearing to pivot +/- 10° within the rubber cushion for easier alignment during installation.
- Aluminum Center Support Bearings for Ford Trucks (2007-16)
- PTO Yokes Quick reference guide
- U-Joint Quick reference guide

DT Components Web Catalog

- Product Lookup by Application
- Kit Bill of Materials
- Interchanges
- Product Specifications
- Product Photos



Snap this QR code with your smartphone app to view our electronic catalog.

SECTION	PAGE
NCB/DT Components Introduction	Inside Front Cover
How To Use This Catalog	i
What's New In This Catalog	ii
Legal Disclosure	iv
Warning	iv
Product Offering	v
Heavy Duty Rebuild Kits & Related Products	1
Differential Rebuild Kits	1
Alliance/Detroit/Freightliner Index	2
Dana/Eaton Index.....	2
GMC Index	13
International Harvester/Navistar Index.....	13
Mack Index.....	14
Meritor/Rockwell Index.....	15
Volvo Index.....	27
White Index	27
Rebuild Kit Bill of Materials	28
Tractech NoSPIN Differentials	44
Heavy Duty Transmission Rebuild Kits	50
Allison Transmission Products	50
Chelsea PTO Products	51
Clark/Eaton/Fuller Index.....	55
Detroit Index	50
GMC Index.....	78
International Harvester/Navistar Index.....	78
Mack Index.....	78
Meritor/Rockwell Index.....	78
New Process Index	79
Spicer/TTC Index	80
Volvo/Mack I-Shift Index.....	84
Warner Index.....	84
Rebuild Kit Bill of Materials	88
Heavy Duty Transfer Case Rebuild Kits	85
Fabco Index.....	85
Meritor/Rockwell Index.....	85
Spicer Index	87
Rebuild Kit Bill of Materials	88
Light Duty Differential Rebuild Kits & Related Products	138
Identification Help for Axles.....	140
Differential Cover Gaskets	141
Differential Applications by Vehicle	142
Rebuild Kit Bill of Materials	173
Ring & Pinion Sets by Axle Size	198
Open Cases & Internal Kits by Axle Size.....	198
Limited Slip Differentials by Axle Size.....	198
Axle Shafts by Axle Size	198

SECTION	PAGE
Light Duty Transmission, Transaxle and Transfer Case Rebuild Kits & Related Products	233
Transmission & Transaxle Applications by Vehicle	233
Rebuild Kit Bill of Materials	273
Exploded Transmission Drawings	281
Transmission Gearing and Related Parts by Transmission Model	281
Identification Help for Transfer Cases	300
Transfer Case Applications by Vehicle	301
Transmission and Transfer Case Small Parts Kits	310
Transfer Case Chains and Related Products by Model	311
Additional Product Information and Interchanges	337
Rebuild Kits, Bearing and Seal Interchanges	337
Center Support Bearings	350
Universal Joint Quick Reference	360
PTO Products Quick Reference	361
EZ Sleeve Repair Sleeves	365
Shim Stock Rolls	370
Light Duty Wheel Set Interchanges	371
Repair Bearings	372
Trailer Bearing Kits	372
Spindle Kits	372
New Departure-Hyatt Barrel Style Roller Bearings	372
Medium/Heavy Duty Wheel Set Interchanges	373
Medium/Heavy Duty Wheel Seals & Hub Caps Interchanges	375
Limited Warranty	Inside Back Cover

Every possible effort has been made to ensure that the data in this catalog is correct, but we cannot assume responsibility should there be any error.

References to original equipment part numbers are for cross reference and identification purposes and may not indicate that the actual part is an original equipment part.

Warning

Follow the manufacturer's installation instructions. Never spin a bearing with compressed air. The rollers may be forcefully expelled, creating a risk of bodily harm. Failure to follow all instructions and to properly lubricate the bearing can cause equipment failure, creating a risk of serious bodily harm.

Heavy & Medium Duty Differential Products

- Bearing & Seal Rebuild Kits
- Tractech No Spin Differentials
- Axle Shafts
- Permatex[®] Adhesives & Sealants
- Individual Bearings & Seals
- Coverage for all Dana/Eaton, Detroit, GMC, IH/Navistar, Mack, Meritor/Rockwell, Volvo & White Models



Heavy & Medium Duty Transmission & Transfer Case Products

- Bearing & Seal Rebuild Kits
- Permatex[®] Adhesives & Sealants
- Individual Bearings & Seals
- Coverage for all Allison, Chelsea, Clark, Detroit, Eaton/Fuller, Fabco, Mack, Meritor/Rockwell, New Process, Spicer/TTC, Volvo & ZF Models



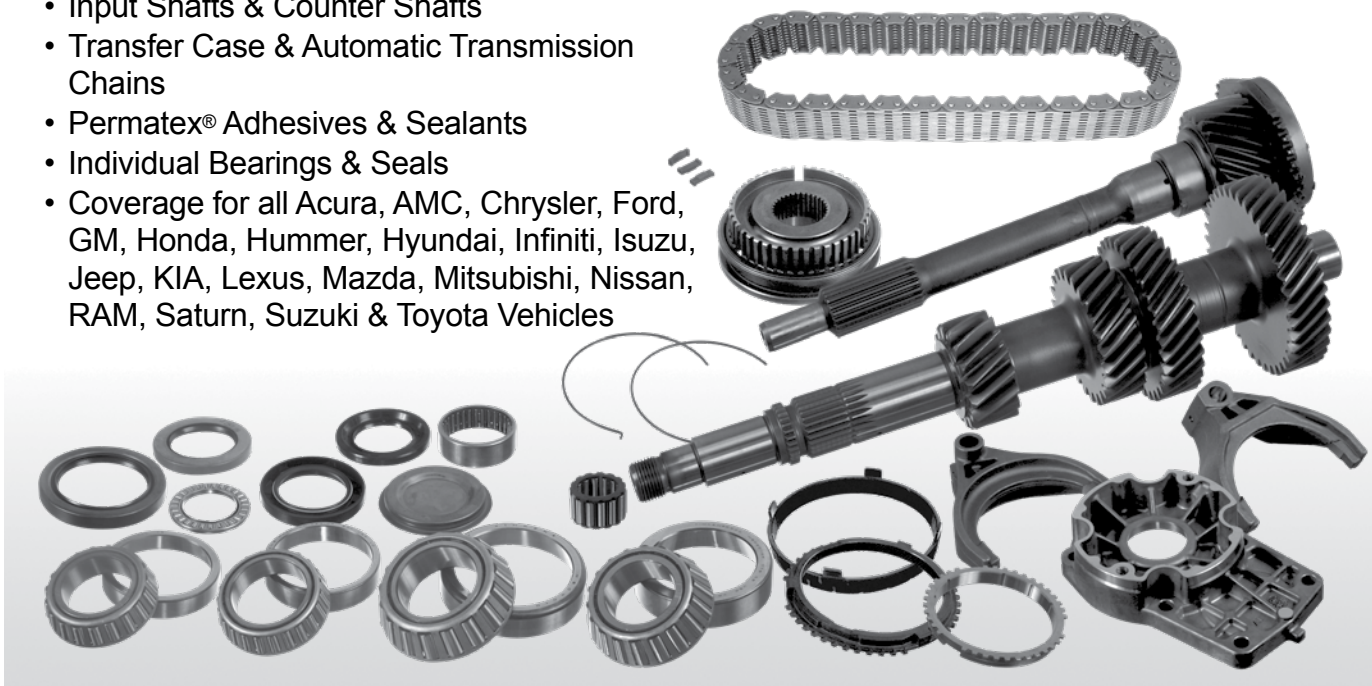
Light Duty Differential Products

- Bearing & Seal Rebuild Kits
- Ring & Pinion Sets
- Differential Cases & Internal Kits
- Auburn, Detroit Locker & Eaton Limited Slip & Locking Differentials
- Axle Shafts
- Axle Shaft Repair Bearings
- Permatex[®] Adhesives & Sealants
- Individual Bearings & Seals
- Coverage for all AMC, Chrysler, Ford, GM, Jeep, Nissan, RAM, & Toyota Vehicles



Light Duty Transmission & Transfer Case Products

- Bearing & Seal Rebuild Kits
- Synchronizer Rings & Assemblies
- Input Shafts & Counter Shafts
- Transfer Case & Automatic Transmission Chains
- Permatex[®] Adhesives & Sealants
- Individual Bearings & Seals
- Coverage for all Acura, AMC, Chrysler, Ford, GM, Honda, Hummer, Hyundai, Infiniti, Isuzu, Jeep, KIA, Lexus, Mazda, Mitsubishi, Nissan, RAM, Saturn, Suzuki & Toyota Vehicles



Driveline & Clutch Products

- Driveshaft Center Support Bearings
- Universal Joints
- PTO Yokes
- Clutch Release Bearings
- Pilot Bearings
- EZ Sleeves[®]
- Individual Bearings & Seals
- Coverage for all Acura, AMC, Chrysler, Ford, GM, Honda, Hummer, Hyundai, Infiniti, Isuzu, Jeep, KIA, Lexus, Mazda, Mitsubishi, Nissan, RAM, Saturn, Suzuki, Volkswagen & Toyota Vehicles & Agricultural Applications



Heavy Duty, Light Truck & Automotive Wheel End Products

- Wheel Bearings & Sets
- Hand Installed Wheel Seals
- Tool Installed Wheel Seals
- ABS & Non-ABS Hub Assemblies
- Axle Bearings, Axle Repair Bearings & Spindle Bearings
- Axle Seals & Wheel Seals



While this catalog is as current as possible at the time it was printed, it is quickly outdated due to our continued efforts of adding rebuild kits and related products for additional models and newer vehicles.

We also offer many additional products such as axle bearings, wheel hub assemblies, wheel seals, clutch release bearings, automatic transmission and engine seals that are not contained in this catalog.

Our E-Catalog also contains images and specifications on many of our products along with over 330,000 part number interchanges.

Please access our E-catalog via www.dtcomponents.com to look up information on these additional products and for models and years not included in this catalog.



DT Components Web Site

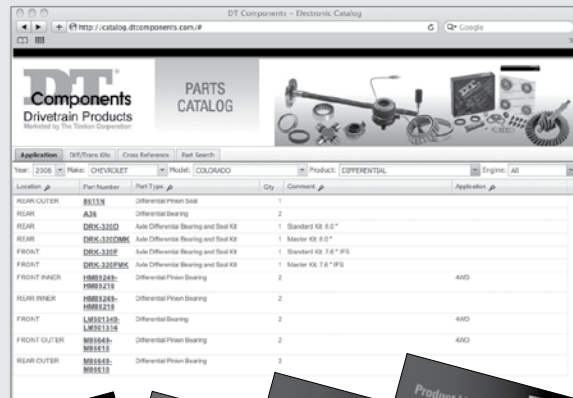
The redesigned and more informative DT Components web site contains product information, literature, customer login, and a link to our web catalog.



Snap this QR code with your smartphone app to visit our web site.

DT Components Web Catalog

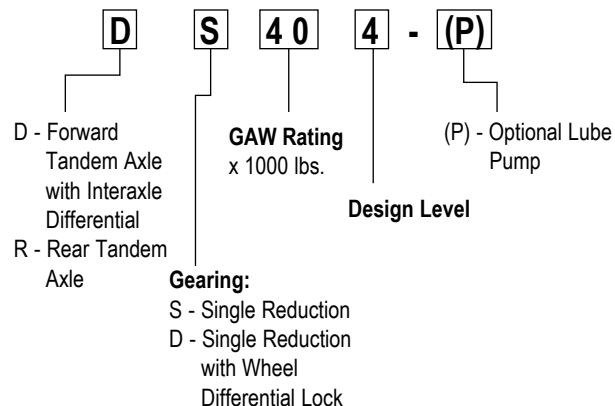
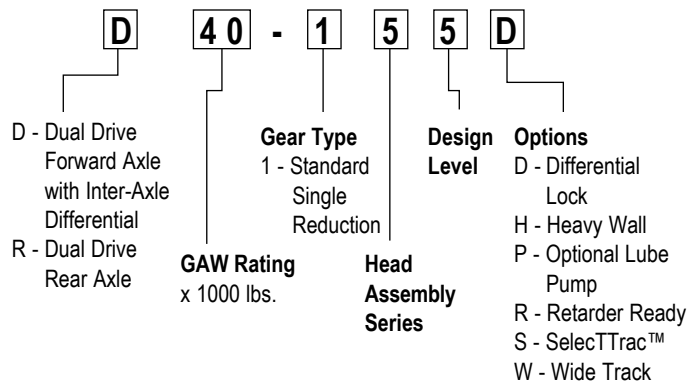
- Product Lookup by Application
- Kit Bill of Materials
- Interchanges
- Product Specifications
- Product Photos



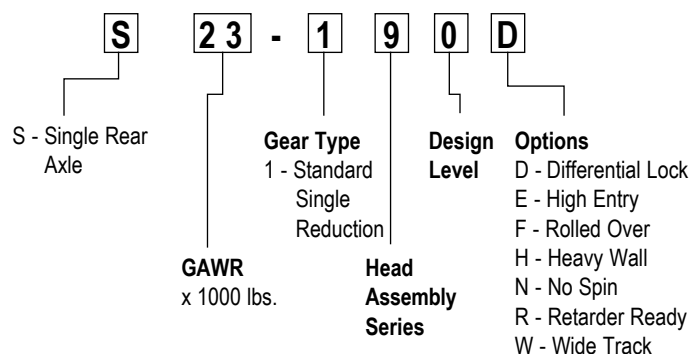
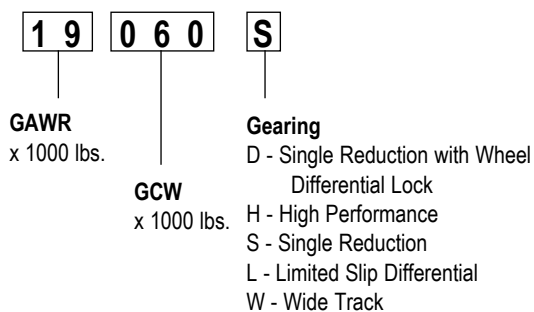
Snap this QR code with your smartphone app to view our electronic catalog.

Heavy Duty Differential Index

Tandem Drive Axle



Single Drive Axle



Heavy Duty Differential Index

HD Differential

Alliance / Detroit / Freightliner Index

Axle Mode	Type/Cap.	Comments	Kit
ARS13-2	R-13,000		DRK-651
ARS15-2	R-15,000		DRK-651
ARS17.5-2	R-17,500		DRK-651
ARS17.5-4	R-17,500		DRK-650R
ARS19-2	R-19,000		DRK-651
ARS19-4	R-19,000		DRK-650R
ARS20-4	R-20,000		DRK-650R
ARS21-2	R-21,000		DRK-651
ARS23-4	R-23,000		DRK-650R
ART34-4	RF-34,000	Before 2008	DRK-650F
	RF-34,000	After 2008	DRK-650FA
	RR-34,000		DRK-650R
ART40-4	RF-44,000	Before 2008	DRK-650F
	RF-44,000	After 2008	DRK-650FA
	RR-44,000		DRK-650R
ART44-4	RF-44,000	Before 2008	DRK-650F
	RF-44,000	After 2008	DRK-650FA
	RR-44,000		DRK-650R

Dana Index

Axle Mode	Type/Cap.	Comments	Kit
S14-110	R-14,500		DRK-434
S14-111	R-14,500		DRK-434
S16-130	R-16,500		DRK-434
S16-132	R-16,500		DRK-434
S17-140	R-17,000		DRK-452
S19-140	R-19,000		DRK-452
S20-140	R-20,000		DRK-452
S21-140	R-21,000		DRK-452
S21-170	R-21,000	Before 6-10-13 and w/ 2.69-3.91 Ratios	DRK-438
	R-21,000	Before 6-10-13 and w/ 4.10-7.17 Ratios	DRK-439
	R-21,000	After 6-9-13 and w/ 2.69-3.91 Ratios	DRK-438A
	R-21,000	After 6-9-13 and w/ 4.10-7.17 Ratios	DRK-439A
S21-170D	R-21,000	Before 6-10-13 and w/ 2.69-3.91 Ratios	DRK-443
	R-21,000	Before 6-10-13 and w/ 4.10-7.17 Ratios	DRK-444
	R-21,000	After 6-9-13 and w/ 2.69-3.91 Ratios	DRK-443A
	R-21,000	After 6-9-13 and w/ 4.10-7.17 Ratios	DRK-444A
S21-170DE	R-21,000	Before 6-10-13	DRK-454
	R-21,000	After 6-9-13	DRK-454A
S21-170E	R-21,000	Before 6-10-13	DRK-454
	R-21,000	After 6-9-13	DRK-454A
S23-170	R-23,000	Before 6-10-13 and w/ 2.69-3.91 Ratios	DRK-438

Dana Index (cont'd)

Axle Mode	Type/Cap.	Comments	Kit
	R-23,000	Before 6-10-13 and w/ 4.10-7.17 Ratios	DRK-439
	R-23,000	After 6-9-13 and w/ 2.69-3.91 Ratios	DRK-438A
	R-23,000	After 6-9-13 and w/ 4.10-7.17 Ratios	DRK-439A
S23-170D	R-23,000	Before 6-10-13 and w/ 2.69-3.91 Ratios	DRK-443
	R-23,000	Before 6-10-13 and w/ 4.10-7.17 Ratios	DRK-444
	R-23,000	After 6-9-13 and w/ 2.69-3.91 Ratios	DRK-443A
	R-23,000	After 6-9-13 and w/ 4.10-7.17 Ratios	DRK-444A
S23-170DE	R-23,000	Before 6-10-13	DRK-454
	R-23,000	After 6-9-13	DRK-454A
S23-170E	R-23,000	Before 6-10-13	DRK-454
	R-23,000	After 6-9-13	DRK-454A
S25-170	R-25,000	Before 6-10-13 and w/ 2.69-3.91 Ratios	DRK-438
	R-25,000	Before 6-10-13 and w/ 4.10-7.17 Ratios	DRK-439
	R-25,000	After 6-9-13 and w/ 2.69-3.91 Ratios	DRK-438A
	R-25,000	After 6-9-13 and w/ 4.10-7.17 Ratios	DRK-439A
S25-170D	R-25,000	Before 6-10-13 and w/ 2.69-3.91 Ratios	DRK-443
	R-25,000	Before 6-10-13 and w/ 4.10-7.17 Ratios	DRK-444
	R-25,000	After 6-9-13 and w/ 2.69-3.91 Ratios	DRK-443A
	R-25,000	After 6-9-13 and w/ 4.10-7.17 Ratios	DRK-444A
S25-170DE	R-25,000	Before 6-10-13	DRK-454
	R-25,000	After 6-9-13	DRK-454A
S25-170E	R-25,000	Before 6-10-13	DRK-454
	R-25,000	After 6-9-13	DRK-454A
S21-172	R-21,000		DRK-467
S21-172D	R-21,000		DRK-467
S23-172	R-23,000		DRK-467
S23-172D	R-23,000		DRK-467
S25-172	R-25,000		DRK-467
S25-172D	R-25,000		DRK-467
S21-190	R-21,000	Before 6-10-13 and w/ 2.53-4.78 Ratios	DRK-443
	R-21,000	Before 6-10-13 and w/ 5.25-7.83 Ratios	DRK-441
	R-21,000	After 6-9-13 and w/ 2.53-4.78 Ratios	DRK-443A
	R-21,000	After 6-9-13 and w/ 5.25-7.83 Ratios	DRK-441A

Heavy Duty Differential Index

Dana Index (cont'd)

Axle Mode	Type/Cap.	Comments	Kit
S21-190D	R-21,000	Before 6-10-13 and w/ 2.53-4.78 Ratios	DRK-443
	R-21,000	Before 6-10-13 and w/ 5.25-7.83 Ratios	DRK-441
	R-21,000	After 6-9-13 and w/ 2.53-4.78 Ratios	DRK-443A
	R-21,000	After 6-9-13 and w/ 5.25-7.83 Ratios	DRK-441A
S23-190	R-23,000	Before 6-10-13 and w/ 2.53-4.78 Ratios	DRK-443
	R-23,000	Before 6-10-13 and w/ 5.25-7.83 Ratios	DRK-441
	R-23,000	After 6-9-13 and w/ 2.53-4.78 Ratios	DRK-443A
	R-23,000	After 6-9-13 and w/ 5.25-7.83 Ratios	DRK-441A
S23-190D	R-23,000	Before 6-10-13 and w/ 2.53-4.78 Ratios	DRK-443
	R-23,000	Before 6-10-13 and w/ 5.25-7.83 Ratios	DRK-441
	R-23,000	After 6-9-13 and w/ 2.53-4.78 Ratios	DRK-443A
	R-23,000	After 6-9-13 and w/ 5.25-7.83 Ratios	DRK-441A
S23-190DE	R-23,000	Before 6-10-13	DRK-453
	R-23,000	After 6-9-13	DRK-453A
S23-190E	R-23,000	Before 6-10-13	DRK-453
	R-23,000	After 6-9-13	DRK-453A
S26-190	R-26,000	Before 6-10-13 and w/ 2.53-4.78 Ratios	DRK-443
	R-26,000	Before 6-10-13 and w/ 5.25-7.83 Ratios	DRK-441
	R-26,000	After 6-9-13 and w/ 2.53-4.78 Ratios	DRK-443A
	R-26,000	After 6-9-13 and w/ 5.25-7.83 Ratios	DRK-441A
S26-190D	R-26,000	Before 6-10-13 and w/ 2.53-4.78 Ratios	DRK-443
	R-26,000	Before 6-10-13 and w/ 5.25-7.83 Ratios	DRK-441
	R-26,000	After 6-9-13 and w/ 2.53-4.78 Ratios	DRK-443A
	R-26,000	After 6-9-13 and w/ 5.25-7.83 Ratios	DRK-441A
S26-190DE	R-26,000	Before 6-10-13	DRK-453
	R-26,000	After 6-9-13	DRK-453A
S26-190E	R-26,000	Before 6-10-13	DRK-453
	R-26,000	After 6-9-13	DRK-453A
S30-190	R-30,000	Before 6-10-13 and w/ 2.53-4.78 Ratios	DRK-443
	R-30,000	Before 6-10-13 and w/ 5.25-7.83 Ratios	DRK-441
	R-30,000	After 6-9-13 and w/ 2.53-4.78 Ratios	DRK-443A
	R-30,000	After 6-9-13 and w/ 5.25-7.83 Ratios	DRK-441A

Dana Index (cont'd)

Axle Mode	Type/Cap.	Comments	Kit
S30-190D	R-30,000	Before 6-10-13 and w/ 2.53-4.78 Ratios	DRK-443
	R-30,000	Before 6-10-13 and w/ 5.25-7.83 Ratios	DRK-441
	R-30,000	After 6-9-13 and w/ 2.53-4.78 Ratios	DRK-443A
	R-30,000	After 6-9-13 and w/ 5.25-7.83 Ratios	DRK-441A
S30-190DE	R-30,000	Before 6-10-13	DRK-453
	R-30,000	After 6-9-13	DRK-453A
S30-190E	R-30,000	Before 6-10-13	DRK-453
	R-30,000	After 6-9-13	DRK-453A
S23-590	R-23,000	Before 6-10-13	DRK-453
	R-23,000	After 6-9-13	DRK-453A
S23-590D	R-23,000	Before 6-10-13	DRK-453
	R-23,000	After 6-9-13	DRK-453A
S26-590	R-26,000	Before 6-10-13	DRK-453
	R-26,000	After 6-9-13	DRK-453A
S26-590D	R-26,000	Before 6-10-13	DRK-453
	R-26,000	After 6-9-13	DRK-453A
S30-590	R-30,000	Before 6-10-13	DRK-453
	R-30,000	After 6-9-13	DRK-453A
S30-590D	R-30,000	Before 6-10-13	DRK-453
	R-30,000	After 6-9-13	DRK-453A
S35-590	R-35,000	Before 6-10-13	DRK-453
	R-35,000	After 6-9-13	DRK-453A
S35-590D	R-35,000	Before 6-10-13	DRK-453
	R-35,000	After 6-9-13	DRK-453A
D40-145S	F-40,000		DRK-427A
D40-145X	F-40,000		DRK-427A
R40-145S	R-40,000		DRK-452
D40-155(P)	F-40,000		DRK-460
D40-155D(P)	F-40,000		DRK-461
R40-155	R-40,000	Before 2-15-16	DRK-464
	R-40,000	After 2-15-16	DRK-465
R40-155D	R-40,000	After 2-15-16	DRK-466
D40-156(P)	F-40,000		DRK-462
D40-156D(P)	F-40,000		DRK-463
R40-156	R-40,000	Before 2-15-16	DRK-464
	R-40,000	After 2-15-16	DRK-465
R40-156D	R-40,000	After 2-15-16	DRK-466
D40-170	F-40,000	Before 6-10-13	DRK-442
	F-40,000	After 6-9-13	DRK-442A
D40-170D	F-40,000	Before 6-10-13	DRK-436
	F-40,000	After 6-9-13	DRK-436A
D40-170DP	F-40,000	Before 6-10-13	DRK-436
	F-40,000	After 6-9-13	DRK-436A
D40-170P	F-40,000	Before 6-10-13	DRK-442
	F-40,000	After 6-9-13	DRK-442A
R40-170	R-40,000	Before 6-10-13 and w/ 2.69-3.91 Ratios	DRK-438
	R-40,000	Before 6-10-13 and w/ 4.10-7.17 Ratios	DRK-439
	R-40,000	After 6-9-13 and w/ 2.69-3.91 Ratios	DRK-438A

Heavy Duty Differential Index

HD Differential

Dana Index (cont'd)

Axle Mode	Type/Cap.	Comments	Kit
R40-170	R-40,000	After 6-9-13 and w/ 4.10-7.17 Ratios	DRK-439A
R40-170D	R-40,000	Before 6-10-13 and w/ 2.69-3.91 Ratios	DRK-443
	R-40,000	Before 6-10-13 and w/ 4.10-7.17 Ratios	DRK-444
	R-40,000	After 6-9-13 and w/ 2.69-3.91 Ratios	DRK-443A
	R-40,000	After 6-9-13 and w/ 4.10-7.17 Ratios	DRK-444A
D46-170	F-46,000	Before 6-10-13	DRK-442
	F-46,000	After 6-9-13	DRK-442A
D46-170D	F-46,000	Before 6-10-13	DRK-436
	F-46,000	After 6-9-13	DRK-436A
D46-170DP	F-46,000	Before 6-10-13	DRK-436
	F-46,000	After 6-9-13	DRK-436A
D46-170H	F-46,000	Before 6-10-13	DRK-442
	F-46,000	After 6-9-13	DRK-442A
D46-170HP	F-46,000	Before 6-10-13	DRK-442
	F-46,000	After 6-9-13	DRK-442A
D46-170P	F-46,000	Before 6-10-13	DRK-442
	F-46,000	After 6-9-13	DRK-442A
R46-170	R-46,000	Before 6-10-13 and w/ 2.69-3.91 Ratios	DRK-438
	R-46,000	Before 6-10-13 and w/ 4.10-7.17 Ratios	DRK-439
	R-46,000	After 6-9-13 and w/ 2.69-3.91 Ratios	DRK-438A
	R-46,000	After 6-9-13 and w/ 4.10-7.17 Ratios	DRK-439A
R46-170D	R-46,000	Before 6-10-13 and w/ 2.69-3.91 Ratios	DRK-443
	R-46,000	Before 6-10-13 and w/ 4.10-7.17 Ratios	DRK-444
	R-46,000	After 6-9-13 and w/ 2.69-3.91 Ratios	DRK-443A
	R-46,000	After 6-9-13 and w/ 4.10-7.17 Ratios	DRK-444A
D50-170	F-50,000	Before 6-10-13	DRK-442
	F-50,000	After 6-9-13	DRK-442A
D50-170D	F-50,000	Before 6-10-13	DRK-436
	F-50,000	After 6-9-13	DRK-436A
D50-170DP	F-50,000	Before 6-10-13	DRK-436
	F-50,000	After 6-9-13	DRK-436A
D50-170P	F-50,000	Before 6-10-13	DRK-442
	F-50,000	After 6-9-13	DRK-442A
R50-170	R-50,000	Before 6-10-13 and w/ 2.69-3.91 Ratios	DRK-438
	R-50,000	Before 6-10-13 and w/ 4.10-7.17 Ratios	DRK-439
	R-50,000	After 6-9-13 and w/ 2.69-3.91 Ratios	DRK-438A
	R-50,000	After 6-9-13 and w/ 4.10-7.17 Ratios	DRK-439A

Dana Index (cont'd)

Axle Mode	Type/Cap.	Comments	Kit
R50-170D	R-50,000	Before 6-10-13 and w/ 2.69-3.91 Ratios	DRK-443
	R-50,000	Before 6-10-13 and w/ 4.10-7.17 Ratios	DRK-444
	R-50,000	After 6-9-13 and w/ 2.69-3.91 Ratios	DRK-443A
	R-50,000	After 6-9-13 and w/ 4.10-7.17 Ratios	DRK-444A
D52-190DP	F-52,000	Before 6-10-13	DRK-437
	F-52,000	After 6-9-13	DRK-437A
D52-190P	F-52,000	Before 6-10-13	DRK-437
	F-52,000	After 6-9-13	DRK-437A
R52-190	R-52,000	Before 6-10-13 and w/ 2.53-4.78 Ratios	DRK-443
	R-52,000	Before 6-10-13 and w/ 5.25-7.83 Ratios	DRK-441
	R-52,000	After 6-9-13 and w/ 2.53-4.78 Ratios	DRK-443A
	R-52,000	After 6-9-13 and w/ 5.25-7.83 Ratios	DRK-441A
R52-190D	R-52,000	Before 6-10-13 and w/ 2.53-4.78 Ratios	DRK-443
	R-52,000	Before 6-10-13 and w/ 5.25-7.83 Ratios	DRK-441
	R-52,000	After 6-9-13 and w/ 2.53-4.78 Ratios	DRK-443A
	R-52,000	After 6-9-13 and w/ 5.25-7.83 Ratios	DRK-441A
D60-190DP	F-60,000	Before 6-10-13	DRK-437
	F-60,000	After 6-9-13	DRK-437A
D60-190P	F-60,000	Before 6-10-13	DRK-437
	F-60,000	After 6-9-13	DRK-437A
R60-190	R-60,000	Before 6-10-13 and w/ 2.53-4.78 Ratios	DRK-443
	R-60,000	Before 6-10-13 and w/ 5.25-7.83 Ratios	DRK-441
	R-60,000	After 6-9-13 and w/ 2.53-4.78 Ratios	DRK-443A
	R-60,000	After 6-9-13 and w/ 5.25-7.83 Ratios	DRK-441A
R60-190D	R-60,000	Before 6-10-13 and w/ 2.53-4.78 Ratios	DRK-443
	R-60,000	Before 6-10-13 and w/ 5.25-7.83 Ratios	DRK-441
	R-60,000	After 6-9-13 and w/ 2.53-4.78 Ratios	DRK-443A
	R-60,000	After 6-9-13 and w/ 5.25-7.83 Ratios	DRK-441A
D46-590DHP	F-46,000	Before 6-10-13	DRK-437
	F-46,000	After 6-9-13	DRK-437A
D46-590HP	F-46,000	Before 6-10-13	DRK-437
	F-46,000	After 6-9-13	DRK-437A
R46-590	R-46,000	Before 6-10-13	DRK-453
	R-46,000	After 6-9-13	DRK-453A

Heavy Duty Differential Index

Dana Index (cont'd)

Axle Mode	Type/Cap.	Comments	Kit
R46-590D	R-46,000	Before 6-10-13	DRK-453
	R-46,000	After 6-9-13	DRK-453A
D52-590DP	F-52,000	Before 6-10-13	DRK-437
	F-52,000	After 6-9-13	DRK-437A
D52-590P	F-52,000	Before 6-10-13	DRK-437
	F-52,000	After 6-9-13	DRK-437A
R52-590	R-52,000	Before 6-10-13	DRK-453
	R-52,000	After 6-9-13	DRK-453A
R52-590D	R-52,000	Before 6-10-13	DRK-453
	R-52,000	After 6-9-13	DRK-453A
D60-590DP	F-60,000	Before 6-10-13	DRK-437
	F-60,000	After 6-9-13	DRK-437A
D60-590P	F-60,000	Before 6-10-13	DRK-437
	F-60,000	After 6-9-13	DRK-437A
R60-590	R-60,000	Before 6-10-13	DRK-453
	R-60,000	After 6-9-13	DRK-453A
R60-590D	R-60,000	Before 6-10-13	DRK-453
	R-60,000	After 6-9-13	DRK-453A
D70-590DP	F-70,000	Before 6-10-13	DRK-437
	F-70,000	After 6-9-13	DRK-437A
D70-590P	F-70,000	Before 6-10-13	DRK-437
	F-70,000	After 6-9-13	DRK-437A
R70-590	R-70,000	Before 6-10-13	DRK-453
	R-70,000	After 6-9-13	DRK-453A
R70-590D	R-70,000	Before 6-10-13	DRK-453
	R-70,000	After 6-9-13	DRK-453A
S135-S	R-13,500		DRK-414
S150-S	R-15,500		DRK-414
F155-S	R-15,500		DRK-191R
G155-T	R-15,500		DRK-213
G160-D	R-16,000		DRK-213
G160-T	R-16,000		DRK-213
F170-S	R-17,000		DRK-191R
F175-D	R-17,500		DRK-213
G175-R	R-17,500		DRK-213
G175-T	R-17,500		DRK-213
J175-S	R-17,500		DRK-192RB
N175	R-17,500		DRK-223R
G185-S	R-18,500		DRK-213
M185-D	R-18,500		DRK-214
M185-T	R-18,500		DRK-214
G190-S	R-19,000		DRK-213
J190-S	R-19,000		DRK-192RB
M190-T	R-19,000		DRK-214
N190	R-19,000		DRK-223R
M200-D	R-20,000		DRK-214
M200-T	R-20,000		DRK-214
J210-S	R-21,000		DRK-192RB
M210-T	R-21,000		DRK-214
J220-S	R-22,000		DRK-192RB
M220-D	R-22,000		DRK-214
M220-T	R-22,000		DRK-214
J230-S	R-23,000		DRK-192RB
J230-SB	R-23,000		DRK-192RB
M230-T	R-23,000		DRK-214

Dana Index (cont'd)

Axle Mode	Type/Cap.	Comments	Kit
S230-S	R-23,000		DRK-416
S230-SB	R-23,000		DRK-416
S230-SL	R-23,000		DRK-416
W230-S	R-23,000		DRK-201R
S260-SB	R-26,000		DRK-416
G340-S	F-34,000		DRK-192FB
J340-S	F-34,000		DRK-200FA
	R-34,000		DRK-192RB
N340-S	F-34,000		DRK-223F
	R-34,000		DRK-223R
G380-S	F-38,000		DRK-192FB
J380-S	F-38,000		DRK-200FA
	R-38,000		DRK-192RB
J400-S	F-40,000		DRK-200FA
	R-40,000		DRK-192RB
N400-I	F-40,000		DRK-223F
	R-40,000		DRK-223R
S400-S	F-40,000		DRK-411F
	R-40,000		DRK-411R
W440-S	F-44,000		DRK-201FA
	R-44,000		DRK-201R
W460-S	F-46,000		DRK-201FA
	R-46,000		DRK-201R

Eaton Index

Axle Mode	Type/Cap.	Comments	Kit
30R3	R-30,000		DRK-23
30RP	R-30,000		DRK-23
30RS	R-30,000	w/ Ribbed Carrier	DRK-23
	R-30,000	w/ Conical Carrier	DRK-23B
30RT	R-30,000		DRK-23
34D3	F-34,000	w/ Ball Brg. On Input Shaft	DRK-64F
	F-34,000	w/ Taper Brg. On Input Shaft	DRK-64FE
34DP	F-34,000	w/ Ball Brg. On Input Shaft	DRK-64F
	F-34,000	w/ Taper Brg. On Input Shaft	DRK-64FE
34DS	F-34,000	w/ Ribbed Carrier & Ball Brg. On Input Shaft	DRK-64F
	F-34,000	w/ Conical Carrier & Ball Brg. On Input Shaft	DRK-64FC
	F-34,000	w/ Conical Carrier & Taper Brg. On Input Shaft	DRK-64FD
34DT	F-34,000	w/ Ribbed Carrier & Taper Brg. On Input Shaft	DRK-64FE
	F-34,000	w/ Ball Brg. On Input Shaft	DRK-64F
34R3	R-34,000		DRK-1
34RP	R-34,000	w/ Ribbed Carrier	DRK-1
	R-34,000	w/ Conical Carrier	DRK-1A
34RS	R-34,000	w/ Conical Carrier	DRK-1A
34RSB	R-34,000		DRK-1A
34RT	R-34,000		DRK-1
38D3	F-38,000	w/ Ball Brg. On Input Shaft	DRK-64F
	F-38,000	w/ Taper Brg. On Input Shaft	DRK-64FE

HD Differential

Heavy Duty Differential Index

HD Differential

Eaton Index (cont'd)

Axle Mode	Type/Cap.	Comments	Kit
38DP	F-38,000	w/ Ball Brg. On Input Shaft	DRK-64F
	F-38,000	w/ Taper Brg. On Input Shaft	DRK-64FE
38DS	F-38,000	w/ Ribbed Carrier & Ball Brg. On Input Shaft	DRK-64F
	F-38,000	w/ Conical Carrier & Ball Brg. On Input Shaft	DRK-64FC
	F-38,000	w/ Conical Carrier & Taper Brg. On Input Shaft	DRK-64FD
	F-38,000	w/ Ribbed Carrier & Taper Brg. On Input Shaft	DRK-64FE
38DT	F-38,000	w/ Ball Brg. On Input Shaft	DRK-64F
	F-38,000	w/ Taper Brg. On Input Shaft	DRK-64FE
38R3	R-38,000		DRK-1
38RP	R-38,000	w/ Ribbed Carrier	DRK-1
	R-38,000	w/ Conical Carrier	DRK-1A
38RS	R-38,000		DRK-1A
38RSB	R-38,000		DRK-1A
38RT	R-38,000		DRK-1
DDH40(P)	F-40,000	Before 6-1-08	DRK-428
	F-40,000	After 6-16-08	DRK-428A
DDP40(P)	F-40,000	Before 6-1-08	DRK-428
	F-40,000	After 6-16-08	DRK-428A
DDS40(P)	F-40,000		DRK-435
DDT40-P	F-40,000	Before 6-1-08	DRK-405F ⁴⁴
	F-40,000	After 6-16-08	DRK-405FA ⁴⁵
DSH40(P)	F-40,000	Before 6-1-08	DRK-427
	F-40,000	After 6-16-08	DRK-427A
DSP40(P)	F-40,000	Before 6-1-08	DRK-427
	F-40,000	After 6-16-08	DRK-427A
DSS40(P)	F-40,000		DRK-431
DST40(P)	F-40,000	Before 6-1-08	DRK-404F ⁴¹
	F-40,000	After 6-16-08	DRK-404FA ⁴²
RDH40	R-40,000		DRK-430
RDP40	R-40,000		DRK-430
RDS40	R-40,000		DRK-219R
RDT40	R-40,000		DRK-445
RSH40	R-40,000		DRK-429
RSP40	R-40,000		DRK-429
RSS40	R-40,000		DRK-449
RST40	R-40,000	Before 4-1-05 & 2.64-5.57 Ratios	DRK-445
		Before 4-1-05 & 6.17-7.17 Ratios	DRK-446
	R-40,000	After 4-1-05 & 2.64-5.57 Ratios	DRK-447
		After 4-1-05 & 6.17-7.17 Ratios	DRK-448
DDP41(P)	F-41,000	Before 6-1-08	DRK-428
	F-41,000	After 6-16-08	DRK-428A
DDS41(P)	F-41,000		DRK-435
DDT41(P)	F-41,000	Before 6-1-08	DRK-405F ⁴⁴
	F-41,000	After 6-16-08	DRK-405FA ⁴⁵
DSP41(P)	F-41,000	Before 6-1-08	DRK-427
	F-41,000	After 6-16-08	DRK-427A

Eaton Index (cont'd)

Axle Mode	Type/Cap.	Comments	Kit
DST41(P)	F-41,000	Before 6-1-08	DRK-404F ⁴¹
	F-41,000	After 6-16-08	DRK-404FA ⁴²
RDP41	R-41,000		DRK-430
RDT41	R-41,000		DRK-445
RSP41	R-41,000		DRK-429
RST41	R-41,000	Before 4-1-05 & 2.64-5.57 Ratios	DRK-445
		Before 4-1-05 & 6.17-7.17 Ratios	DRK-446
	R-41,000	After 4-1-05 & 2.64-5.57 Ratios	DRK-447
		After 4-1-05 & 6.17-7.17 Ratios	DRK-448
42D3	F-42,000	w/ Ball Brg. On Input Shaft	DRK-64F
	F-42,000	w/ Taper Brg. On Input Shaft	DRK-64FE
42DP	F-42,000	w/ Ball Brg. On Input Shaft	DRK-64F
	F-42,000	w/ Taper Brg. On Input Shaft	DRK-64FE
42DT	F-42,000	w/ Ball Brg. On Input Shaft	DRK-64F
	F-42,000	w/ Taper Brg. On Input Shaft	DRK-64FE
42R3	R-42,000		DRK-1
42RP	R-42,000		DRK-1
42RS	R-42,000		DRK-18D
42RT	R-42,000		DRK-1
44DP	F-44,000		DRK-209A
44DS	F-44,000		DRK-208A
44DSM	F-44,000		DRK-208A
44DT	F-44,000		DRK-72A
	F-44,000		DRK-209A
44RPB	R-44,000		DRK-72A
44RS	R-44,000	w/ Casting # C67854 / Bef. 2-1-79	DRK-413
		w/ Casting # C98493 / Aft. 2-1-79	DRK-18E
44RSM	R-44,000		DRK-413
44RSB	R-44,000	w/ Large Spherical Diff	DRK-18E
44RT	R-44,000	w/ 103537 Case	DRK-72B
		w/o 103537 Case	DRK-72A
44RTB	R-44,000		DRK-72A
DDH44(P)	F-44,000		DRK-427
DSH44(P)	F-44,000		DRK-428
RDH44	R-44,000		DRK-429
RSH44	R-44,000		DRK-429
50DP	F-50,000		DRK-193
50DT	F-50,000		DRK-193
50RP	R-50,000		DRK-1
50RT	R-50,000		DRK-1
190C4	R-19,000		DRK-419
190P4	R-19,000		DRK-419
190S4	R-19,000		DRK-417
190T4	R-19,000		DRK-419
220C4	R-22,000		DRK-419
220P4	R-22,000		DRK-419
220S4	R-22,000		DRK-417
220T4	R-22,000		DRK-419
230C4	R-23,000		DRK-420

⁴¹Order DRK-404FMK for Master Kit
⁴²Order DRK-404FAMK for Master Kit

⁴⁴Order DRK-405FMK for Master Kit
⁴⁵Order DRK-405FAMK for Master Kit

Heavy Duty Differential Index

Eaton Index (cont'd)

Axle Mode	Type/Cap.	Comments	Kit
230P4	R-23,000		DRK-421
230S4	R-23,000		DRK-418
230T4	R-23,000		DRK-421
260C4	R-26,000		DRK-420
260P4	R-26,000		DRK-421
260S4	R-26,000		DRK-418
260T4	R-26,000		DRK-421
300C4	R-30,000		DRK-420
300P4	R-30,000		DRK-420
300S4	R-30,000		DRK-418
300T4	R-30,000		DRK-421
DP340	F-34,000		DRK-193
DS340	F-34,000	2-Speed Carrier / Bef 4-30-78	DRK-193
	F-34,000	1-Speed Carrier / Aft 4-30-78	DRK-193A
DT340	F-34,000		DRK-193
RP340	R-34,000		DRK-1
RS340	R-34,000	2-Speed Carrier / Bef 4-30-78	DRK-1
	R-34,000	1-Speed Carrier / Aft 4-30-78	DRK-1A
RT340	R-34,000		DRK-1
DC341(P)	F-34,000		DRK-207
DP341(P)	F-34,000		DRK-207
DS341(P)	F-34,000	Before 4-6-89	DRK-196
	F-34,000	4-6-89 thru 12-31-94	DRK-222F
	F-34,000	After 1-1-95	DRK-196
DT341(P)	F-34,000		DRK-207
RC341	R-34,000		DRK-1
RP341	R-34,000		DRK-1
RS341	R-34,000	Before 4-6-89	DRK-1A
	R-34,000	4-6-89 thru 12-31-94	DRK-222R
	R-34,000	After 1-1-95	DRK-412
RT341	R-34,000		DRK-1
DA344	F-34,000		DRK-404F ⁴¹
DS344	F-34,000	Before 6-1-08	DRK-404F ⁴¹
	F-34,000	After 6-16-08	DRK-404FA ⁴²
RA344	R-34,000		DRK-404R ⁴³
RS344	R-34,000		DRK-404R ⁴³
350C4	R-35,000		DRK-420
350P4	R-35,000		DRK-420
350S4	R-35,000		DRK-418
350T4	R-35,000		DRK-420
DP380-P	F-38,000		DRK-193
DS380(P)	F-38,000	2-Speed Carrier / Bef 4-30-78	DRK-193
	F-38,000	1-Speed Carrier / Aft 4-30-78	DRK-193A
DT380(P)	F-38,000		DRK-193
RP380(P)	R-38,000		DRK-1
RS380	R-38,000	2-Speed Carrier / Bef 4-30-78	DRK-1
	R-38,000	1-Speed Carrier / Aft 4-30-78	DRK-1A
RT380(P)	R-38,000		DRK-1
DC381(P)	F-38,000		DRK-207
DP381(P)	F-38,000		DRK-207
DS381(P)	F-38,000		DRK-196

Eaton Index (cont'd)

Axle Mode	Type/Cap.	Comments	Kit
DT381(P)	F-38,000		DRK-207
RC381	R-38,000		DRK-1
RP381(P)	R-38,000		DRK-1
RS381	R-38,000		DRK-1A
RT381(P)	R-38,000		DRK-1
DS385	F-38,000		DRK-1
DC386-P	F-38,000		DRK-424
DP386-P	F-38,000		DRK-424
DS386-P	F-38,000		DRK-422
DT386-P	F-38,000		DRK-424
RC386	R-38,000		DRK-1
RP386-P	R-38,000		DRK-1
RS386	R-38,000		DRK-1A
RT386-P	R-38,000		DRK-1
DP400(P)	F-40,000		DRK-193
DS400-P	F-40,000	2-Speed Carrier / Bef 4-30-78	DRK-193
	F-40,000	1-Speed Carrier / Aft 4-30-78	DRK-193A
DT400(P)	F-40,000		DRK-193
RP400(P)	R-40,000		DRK-1
RS400	R-40,000	2-Speed Carrier / Bef 4-30-78	DRK-1
	R-40,000	1-Speed Carrier / Aft 4-30-78	DRK-1A
RT400(P)	R-40,000		DRK-1
DC401-P	F-40,000		DRK-207
DP401(P)	F-40,000		DRK-207
DS401-P	F-40,000		DRK-196
DT401(P)	F-40,000		DRK-207
RC401	R-40,000		DRK-1
RP401(P)	R-40,000		DRK-1
RS401	R-40,000		DRK-1A
RT401(P)	R-40,000		DRK-1
DA402(P)	F-40,000	4-6-89 thru 12-31-94	DRK-222F
	F-40,000	After 1-1-95	DRK-196
DC402(P)	F-40,000		DRK-207
DP402(P)	F-40,000		DRK-207
DS402(P)	F-40,000	Before 4-6-89	DRK-196
	F-40,000	4-6-89 thru 12-31-94	DRK-222F
	F-40,000	After 1-1-95	DRK-196
DT402(P)	F-40,000		DRK-207
RA402	R-40,000	4-6-89 thru 12-31-94	DRK-222R
	R-40,000	After 1-1-95	DRK-412
RC402	R-40,000		DRK-1
RP402(P)	R-40,000		DRK-1
RS402	R-40,000	Before 4-6-89	DRK-1A
	R-40,000	4-6-89 thru 12-31-94	DRK-222R
	R-40,000	After 1-1-95	DRK-412
RT402(P)	R-40,000		DRK-1
DS403(P)	F-40,000	Before 4-6-89	DRK-196
	F-40,000	4-6-89 thru 12-31-94	DRK-222F
	F-40,000	After 1-1-95	DRK-196
RS403	R-40,000	Before 4-6-89	DRK-1A
	R-40,000	4-6-89 thru 12-31-94	DRK-222R
	R-40,000	After 1-1-95	DRK-412
DA404(P)	F-40,000	Before 6-1-08	DRK-404F ⁴¹

⁴¹Order DRK-404FMK for Master Kit

⁴³Order DRK-404RMK for Master Kit

⁴²Order DRK-404FAMK for Master Kit

Heavy Duty Differential Index

HD Differential

Eaton Index (cont'd)

Axle Mode	Type/Cap.	Comments	Kit
DA404(P)	F-40,000	After 6-16-08	DRK-404FA ⁴²
DD404(P)	F-40,000	Before 6-1-08	DRK-405F ⁴⁴
	F-40,000	After 6-16-08	DRK-405FA ⁴⁵
DS404(P)	F-40,000	Before 6-1-08	DRK-404F ⁴¹
	F-40,000	After 6-16-08	DRK-404FA ⁴²
RA404	R-40,000		DRK-404R ⁴³
RD404	R-40,000		DRK-405R ⁴⁶
RS404	R-40,000		DRK-404R ⁴³
DA405(P)	F-40,000	Before 6-1-08	DRK-404F ⁴¹
	F-40,000	After 6-16-08	DRK-404FA ⁴²
DD405(P)	F-40,000	Before 6-1-08	DRK-405F ⁴⁴
	F-40,000	After 6-16-08	DRK-405FA ⁴⁵
DS405(P)	F-40,000	Before 6-1-08	DRK-404F ⁴¹
	F-40,000	After 6-16-08	DRK-404FA ⁴²
RA405	R-40,000		DRK-404R ⁴³
RD405	R-40,000		DRK-405R ⁴⁶
RS405	R-40,000		DRK-404R ⁴³
DC406-P	F-40,000		DRK-424
DP406-P	F-40,000		DRK-424
DS406-P	F-40,000		DRK-422
DT406-P	F-40,000		DRK-424
RC406	R-40,000		DRK-1
RP406-P	R-40,000		DRK-1
RS406	R-40,000		DRK-1A
RT406-P	R-40,000		DRK-1
DP440-P	F-44,000	22 Spline & Case # 103530	DRK-209
	F-44,000	36 Spline & Case # 110500	DRK-210
DS440-P	F-44,000	22 Spline & Case # 103530	DRK-208A
	F-44,000	36 Spline & Case # 110500	DRK-208
DT440-P	F-44,000	22 Spline & Case # 103530	DRK-209
	F-44,000	36 Spline & Case # 110500	DRK-210
RP440	R-44,000		DRK-72B
RS440	R-44,000		DRK-18E
RT440	R-44,000		DRK-72B
DP446-P	F-44,000		DRK-426
DS446-P	F-44,000	w/ Traction Control	DRK-426
	F-44,000	w/o Traction Control	DRK-425
DT446-P	F-44,000		DRK-426
RP446-P	R-44,000		DRK-72B
RS446	R-44,000	w/ Traction Control	DRK-72B
	R-44,000	w/o Traction Control	DRK-18E
RT446-P	R-44,000		DRK-72B
DC451-P	F-45,000		DRK-207
DP451-P	F-45,000		DRK-207
DS451-P	F-45,000	Before 4-6-89	DRK-196
	F-45,000	4-6-89 thru 12-31-94	DRK-222F
	F-45,000	After 1-1-95	DRK-196
DT451-P	F-45,000		DRK-207
RC451	R-45,000		DRK-1
RP451-P	R-45,000		DRK-1
RS451	R-45,000	Before 4-6-89	DRK-1A
	R-45,000	4-6-89 thru 12-31-94	DRK-222R
	R-45,000	After 1-1-95	DRK-412
RT451-P	R-45,000		DRK-1
DA454(P)	F-45,000		DRK-404F ⁴¹

Eaton Index (cont'd)

Axle Mode	Type/Cap.	Comments	Kit
DD454(P)	F-45,000		DRK-405F ⁴⁴
DS454(P)	F-45,000		DRK-404F ⁴¹
RA454	R-45,000		DRK-404R ⁴³
RD454	R-45,000		DRK-405R ⁴⁶
RS454	R-45,000		DRK-404R ⁴³
DC460-P	F-46,000		DRK-211F
DP460-P	F-46,000	22 Spline & Case # 103530	DRK-209
	F-46,000	36 Spline & Case # 110500	DRK-210
DS460-P	F-46,000	22 Spline & Case # 103530	DRK-208A
	F-46,000	36 Spline & Case # 110500	DRK-208
DT460-P	F-46,000	22 Spline & Case # 103530	DRK-209
	F-46,000	36 Spline & Case # 110500	DRK-210
RC460	R-46,000		DRK-219R
RP460	R-46,000		DRK-72B
RS460	R-46,000		DRK-18E
RT460	R-46,000		DRK-72B
DC461-P	F-46,000	Before 2-2000	DRK-211F
	F-46,000	After 2-2000	DRK-432
DD461-P	F-46,000	Before 2-2000	DRK-211F
	F-46,000	After 2-2000	DRK-432
DP461-P	F-46,000	Before 2-2000	DRK-211F
	F-46,000	After 2-2000	DRK-432
DS461-P	F-46,000	Before 2-2000	DRK-208
	F-46,000	After 2-2000	DRK-433
DT461-P	F-46,000	Before 2-2000	DRK-211F
	F-46,000	After 2-2000	DRK-432
RC461	R-46,000		DRK-219R
RD461	R-46,000		DRK-219R
RP461	R-46,000		DRK-219R
RS461	R-46,000		DRK-449
RT461	R-46,000		DRK-219R
SP461	R-46,000		DRK-220F
TP461	F-46,000		DRK-220F
DC462-P	F-46,000	Before 2-2000	DRK-211F
	F-46,000	After 2-2000	DRK-432
DD462-P	F-46,000	Before 2-2000	DRK-211F
	F-46,000	After 2-2000	DRK-432
DP462-P	F-46,000	Before 2-2000	DRK-211F
	F-46,000	After 2-2000	DRK-432
DS462-P	F-46,000	Before 2-2000	DRK-208
	F-46,000	After 2-2000	DRK-433
DT462-P	F-46,000	Before 2-2000	DRK-211F
	F-46,000	After 2-2000	DRK-432
RC462	R-46,000		DRK-219R
RD462	R-46,000		DRK-219R
RP462	R-46,000		DRK-219R
RS462	R-46,000		DRK-449
RT462	R-46,000		DRK-219R
SP462	R-46,000		DRK-220F
TP462	F-46,000		DRK-220F
DC463-P	F-46,000	Before 2-2000	DRK-211F
	F-46,000	After 2-2000	DRK-432
DD463-P	F-46,000	Before 2-2000	DRK-211F
	F-46,000	After 2-2000	DRK-432

Heavy Duty Differential Index

Eaton Index (cont'd)

Axle Mode	Type/Cap.	Comments	Kit
DP463-P	F-46,000	Before 2-2000	DRK-211F
	F-46,000	After 2-2000	DRK-432
DS463-P	F-46,000	Before 2-2000	DRK-208
	F-46,000	After 2-2000	DRK-433
DT463-P	F-46,000	Before 2-2000	DRK-211F
	F-46,000	After 2-2000	DRK-432
RC463	R-46,000		DRK-219R
RD463	R-46,000		DRK-219R
RP463	R-46,000		DRK-219R
RS463	R-46,000		DRK-449
RT463	R-46,000		DRK-219R
SP463	R-46,000		DRK-220F
TP463	F-46,000		DRK-220F
DP466-P	F-46,000		DRK-426
DS466-P	F-46,000	w/ Traction Control	DRK-426
	F-46,000	w/o Traction Control	DRK-425
DT466-P	F-46,000		DRK-426
RP466-P	R-46,000		DRK-72B
RS466	R-46,000	w/ Traction Control	DRK-72B
	R-46,000	w/o Traction Control	DRK-18E
RT466-P	R-46,000		DRK-72B
DC480-P	F-48,000		DRK-211F
DP480-P	F-48,000	22 Spline & Case # 103530	DRK-209
	F-48,000	36 Spline & Case # 110500	DRK-210
DS480-P	F-48,000	22 Spline & Case # 103530	DRK-208A
	F-48,000	36 Spline & Case # 110500	DRK-208
DT480-P	F-48,000	22 Spline & Case # 103530	DRK-209
	F-48,000	36 Spline & Case # 110500	DRK-210
RC480	R-48,000		DRK-219R
RP480	R-48,000		DRK-72B
RS480	R-48,000		DRK-18E
RT480	R-48,000		DRK-72B
DP485-P	F-48,000		DRK-211F
DT485-P	F-48,000		DRK-211F
RP485	R-48,000		DRK-72B
RT485	R-48,000		DRK-72B
DC521-P	F-52,000	Before 2-2000	DRK-211F
	F-52,000	After 2-2000	DRK-432
DD521-P	F-52,000	Before 2-2000	DRK-211F
	F-52,000	After 2-2000	DRK-432
DP521-P	F-52,000	Before 2-2000	DRK-211F
	F-52,000	After 2-2000	DRK-432
DS521-P	F-52,000	Before 2-2000	DRK-208
	F-52,000	After 2-2000	DRK-433
DT521-P	F-52,000	Before 2-2000	DRK-211F
	F-52,000	After 2-2000	DRK-432
RC521	R-52,000		DRK-219R
RD521	R-52,000		DRK-219R
RP521	R-52,000		DRK-219R
RS521	R-52,000		DRK-449
RT521	R-52,000		DRK-219R
SP521	R-52,000		DRK-220F
TP521	F-52,000		DRK-220F
DP550	F-55,000	22 Spline & Case # 103530	DRK-211FA
	F-55,000	36 Spline & Case # 110500	DRK-211F
RP550	R-55,000		DRK-72B

Eaton Index (cont'd)

Axle Mode	Type/Cap.	Comments	Kit
RT550	R-55,000		DRK-72B
SP550	F-55,000		DRK-220FA
TP550	F-55,000		DRK-220FA
DP580-P	F-58,000	22 Spline & Case # 103530	DRK-211FA
	F-58,000	36 Spline & Case # 110500	DRK-211F
DT580-P	F-58,000	22 Spline & Case # 103530	DRK-211FA
	F-58,000	36 Spline & Case # 110500	DRK-211F
RP580	R-58,000		DRK-219R
RS580	R-58,000	w/ Traction Control	DRK-219R
RT580	R-58,000		DRK-219R
SP580	F-58,000		DRK-220FA
TP580	F-58,000		DRK-220FA
DD581-P	F-58,000	Before 2-2000	DRK-211F
	F-58,000	After 2-2000	DRK-432
DS581-P	F-58,000	Before 2-2000	DRK-208
	F-58,000	After 2-2000	DRK-433
RD581	R-58,000		DRK-219R
RS581	R-58,000		DRK-449
DD601(P)	F-60,000	Before 2-2000	DRK-211F
	F-60,000	After 2-2000	DRK-432
DP601-P	F-60,000	Before 2-2000	DRK-211F
	F-60,000	After 2-2000	DRK-432
DS601(P)	F-60,000	Before 2-2000	DRK-208
	F-60,000	After 2-2000	DRK-433
DT601-P	F-60,000	Before 2-2000	DRK-211F
	F-60,000	After 2-2000	DRK-432
RC601	R-60,000		DRK-219R
RP601	R-60,000		DRK-219R
RS601	R-60,000		DRK-449
RT601	R-60,000		DRK-219R
SP601	R-60,000		DRK-220F
TP601	F-60,000		DRK-220F
DP650-P	F-65,000	22 Spline & Case # 103530	DRK-211FA
	F-65,000	36 Spline & Case # 110500	DRK-211F
DT650-P	F-65,000	22 Spline & Case # 103530	DRK-211FA
	F-65,000	36 Spline & Case # 110500	DRK-211F
RP650	R-65,000		DRK-219R
RS650	R-65,000	w/ Traction Control	DRK-219R
RT650	R-65,000		DRK-219R
SP650	F-65,000		DRK-220FA
TP650	F-65,000		DRK-220FA
DD651(P)	F-65,000	Before 2-2000	DRK-211F
	F-65,000	After 2-2000	DRK-432
DP651-P	F-65,000	Before 2-2000	DRK-211F
	F-65,000	After 2-2000	DRK-432
DS651-P	F-65,000	Before 2-2000	DRK-208
	F-65,000	After 2-2000	DRK-433
DT651-P	F-65,000	Before 2-2000	DRK-211F
	F-65,000	After 2-2000	DRK-432
RC651	R-65,000		DRK-219R
RP651	R-65,000		DRK-219R
RS651	R-65,000		DRK-449
RT651	R-65,000		DRK-219R
SP651	R-65,000		DRK-220F
TP651	F-65,000		DRK-220F

Heavy Duty Differential Index

HD Differential

Eaton Index (cont'd)

Axle Mode	Type/Cap.	Comments	Kit
DP652-P	F-65,000	Before 2-2000	DRK-211F
	F-65,000	After 2-2000	DRK-432
RP652	R-65,000		DRK-219R
DC3416-P	F-34,000		DRK-424
DP3416-P	F-34,000		DRK-424
DS3416-P	F-34,000		DRK-422
DT3416-P	F-34,000		DRK-424
RC3416	R-34,000		DRK-1
RP3416-P	R-34,000		DRK-1
RS3416	R-34,000		DRK-1A
RT3416-P	R-34,000		DRK-1
DC4026-P	F-40,000		DRK-424
DP4026-P	F-40,000		DRK-424
DS4026-P	F-40,000		DRK-422
DT4026-P	F-40,000		DRK-424
RC4026	R-40,000		DRK-1
RP4026-P	R-40,000		DRK-1
RS4026	R-40,000		DRK-1A
RT4026-P	R-40,000		DRK-1
DC4616-P	F-46,000		DRK-426
DP4616-P	F-46,000		DRK-426
DS4616-P	F-46,000		DRK-423
DT4616-P	F-46,000		DRK-426
RC4616	R-46,000		DRK-72B
RP4616-P	R-46,000		DRK-219R
RS4616	R-46,000		DRK-449
RT4616-P	R-46,000		DRK-219R
DC5216-P	F-52,000		DRK-426
DP5216-P	F-52,000		DRK-426
DS5216-P	F-52,000		DRK-423
DT5216-P	F-52,000		DRK-426
RC5216	R-52,000		DRK-72B
RP5216-P	R-52,000		DRK-219R
RS5216	R-52,000		DRK-449
RT5216-P	R-52,000		DRK-219R
DP6016-P	F-60,000		DRK-426
DT6016-P	F-60,000		DRK-426
RP6016-P	R-60,000		DRK-219R
RT6016-P	R-60,000		DRK-219R
DP6516-P	F-65,000		DRK-426
DT6516-P	F-65,000		DRK-426
RP6516-P	R-65,000		DRK-219R
RT6516-P	R-65,000		DRK-219R
350	R-		DRK-24
502	R-		DRK-72
503	R-		DRK-72
1350	R-10-15,000	Exc. Dodge 1957-1958	DRK-24
1618	R-16-17,000		DRK-23
1619	R-16-17,000		DRK-23
1880	R-19-22,000		DRK-1
1881	R-19-22,000		DRK-1
3800	R-15,000		DRK-24
3802	R-15,000		DRK-24
6802	R-16,000		DRK-23
6803	R-16,000		DRK-23
7500	F-		DRK-202
7800	R-18,000		DRK-1

Eaton Index (cont'd)

Axle Mode	Type/Cap.	Comments	Kit
7801	R-18,000		DRK-1
7810	R-18,000		DRK-1
8800	R-22,000		DRK-1
8802	R-22,000		DRK-1
8803	R-22,000		DRK-1
9000	F-		DRK-202
9502	R-23,000		DRK-72
9503	R-23,000		DRK-72
9512	R-23,000		DRK-72
10000	F-		DRK-202
12000	F-		DRK-202
13600	R-13,000		DRK-411
13602	R-13,000		DRK-411
13800	R-13,000		DRK-24
13802	R-13,000		DRK-24
13803	R-13,000		DRK-24
15040-P	R-15,000		DRK-24
15040-S	R-15,000		DRK-400
15040-T	R-15,000		DRK-24
15101	R-15,000		DRK-24
15200	R-15,000		DRK-24
15201	R-15,000		DRK-24
15300	R-15,000		DRK-24
15301	R-15,000		DRK-24
16120	R-16,000		DRK-23D
16123	R-16,000		DRK-23D
16220	R-16,000	w/ 15" Ring Gear	DRK-23
	R-16,000	w/ 15-1/2" Ring Gear	DRK-23D
16244	R-16,000		DRK-23D
16247	R-17,500		DRK-23D
16320	R-16,000		DRK-23
16321	R-16,000		DRK-23
16344	R-16,000		DRK-23D
16500	R-16,000		DRK-23
16501	R-16,000		DRK-23
16800	R-16,000		DRK-23
16802	R-16,000		DRK-23
16803	R-16,000		DRK-23
17060-S	R-17,000		DRK-404R ⁴³
17100	R-17,000		DRK-1A
17101	R-17,000		DRK-1A
17120	R-17,000		DRK-1A
17121	R-17,000		DRK-1A
17123	R-17,000		DRK-1A
17130	R-17,000		DRK-1A
17200	R-17,000		DRK-1
17201	R-17,000		DRK-1
17202	R-17,000		DRK-1
17220	R-17,000		DRK-1
17221	R-17,000		DRK-1
17300	R-17,000		DRK-1
17301	R-17,000		DRK-1
17302	R-17,000		DRK-1
17320	R-17,000		DRK-1
17321	R-17,000		DRK-1

Heavy Duty Differential Index

Eaton Index (cont'd)

Axle Mode	Type/Cap.	Comments	Kit
17322	R-17,000		DRK-1
17401	R-17,000		DRK-1
17421	R-17,000		DRK-1
17500	R-17,000		DRK-1
17501	R-17,000		DRK-1
17800	R-17,000		DRK-1
17810	R-17,000		DRK-1
18100	R-18,000		DRK-1A
18101	R-18,000		DRK-1A
18103	R-18,000		DRK-1A
18120	R-18,000		DRK-1A
18121	R-18,000		DRK-1A
18123	R-18,000		DRK-1A
18200	R-18,000		DRK-1
18201	R-18,000		DRK-1
18202	R-18,000		DRK-1
18207	R-18,000		DRK-1
18220	R-18,000		DRK-1
18221	R-18,000		DRK-1
18227	R-18,000		DRK-1
18300	R-18,000		DRK-1
18301	R-18,000		DRK-1
18302	R-18,000		DRK-1
18320	R-18,000		DRK-1
18321	R-18,000		DRK-1
18322	R-18,000		DRK-1
18500	R-18,000		DRK-1
18501	R-18,000		DRK-1
18502	R-18,000		DRK-1
18503	R-18,000		DRK-1
18800	R-18,000		DRK-1
18802	R-18,000		DRK-1
18803	R-18,000		DRK-1
18812	R-18,000		DRK-1
18813	R-18,000		DRK-1
19050-D	R-19,000		DRK-221
19050-P	R-19,000		DRK-23D
19050-S	R-19,000		DRK-221
19050-T	R-19,000		DRK-23D
19055-D	R-19,000		DRK-406
19055-P	R-19,000		DRK-403
19055-S	R-19,000		DRK-406
19055-T	R-19,000		DRK-403
19060-D	R-19,000		DRK-405R ⁴⁶
19060-S	R-19,000		DRK-404R ⁴³
19060-T	R-19,000		DRK-1
19100	R-19,000		DRK-415
19120	R-19,000		DRK-18D
19121	R-19,000	Exc. Dodge	DRK-18D
19123	R-19,000		DRK-18D
19200	R-19,000		DRK-72
19201	R-19,000		DRK-72
19202	R-19,000		DRK-72
19220	R-19,000	w/ 103537 Case	DRK-72B
	R-19,000	w/o 103537 Case	DRK-72A

Eaton Index (cont'd)

Axle Mode	Type/Cap.	Comments	Kit
19221	R-19,000	w/ 103537 Case	DRK-72B
	R-19,000	w/o 103537 Case	DRK-72A
19223	R-19,000		DRK-72A
19227	R-19,000	Before 2-1-79	DRK-413
	R-19,000	After 2-1-79	DRK-219R
19237	R-19,000	After 2-1-79	DRK-219R
19300	R-19,000		DRK-72
19301	R-19,000		DRK-72
19320	R-19,000		DRK-72A
19321	R-19,000	w/ 103537 Case	DRK-72B
	R-19,000	w/o 103537 Case	DRK-72A
19323	R-19,000		DRK-72A
19327	R-19,000		DRK-413
19420	R-19,000		DRK-413
19426	R-19,000		DRK-413
19500	R-19,000		DRK-72
19501	R-19,000		DRK-72
19502	R-19,000		DRK-72
19503	R-19,000		DRK-72
19512	R-19,000		DRK-72
19513	R-19,000		DRK-72
19515	R-19,000		DRK-72
20000	R-20,000		DRK-72
P20060-D	R-20,000		DRK-430
P20060-S	R-20,000		DRK-429
20100	R-20,000		DRK-415
20120	R-20,000		DRK-18D
20121	R-20,000		DRK-18D
20123	R-20,000		DRK-18D
20200	R-20,000		DRK-72
20201	R-20,000		DRK-72
20220	R-20,000	w/ 103537 Case	DRK-72B
	R-20,000	w/o 103537 Case	DRK-72A
20221	R-20,000	w/ 103537 Case	DRK-72B
	R-20,000	w/o 103537 Case	DRK-72A
20223	R-20,000		DRK-72A
20300	R-20,000		DRK-72
20301	R-20,000		DRK-72
20320	R-20,000	w/ 103537 Case	DRK-72B
	R-20,000	w/o 103537 Case	DRK-72A
20321	R-20,000	w/ 103537 Case	DRK-72B
	R-20,000	w/o 103537 Case	DRK-72A
20323	R-20,000		DRK-72A
20500	R-20,000		DRK-72
20501	R-20,000		DRK-72
20502	R-20,000		DRK-72
20503	R-20,000		DRK-72
21060-D	R-21,000		DRK-405R ⁴⁶
P21060-D	R-21,000		DRK-430
21060-S	R-21,000		DRK-404R ⁴³
P21060-S	R-21,000		DRK-429
21060-T	R-21,000		DRK-1
21065-D	R-21,000		DRK-406
21065-P	R-21,000		DRK-403
21065-S	R-21,000		DRK-406

⁴³Order DRK-404RMK for Master Kit

⁴⁶Order DRK-405RMK for Master Kit

Heavy Duty Differential Index

HD Differential

Eaton Index (cont'd)

Axle Mode	Type/Cap.	Comments	Kit
21065-T	R-21,000		DRK-403
21065-Y	R-21,000		DRK-403
21080-D	R-21,000	Before 12-1999	DRK-410
	R-21,000	After 12-1999	DRK-451
21080-S	R-21,000	Before 12-1999	DRK-410
	R-21,000	After 12-1999	DRK-451
21090-D	R-21,000	Before 12-1999	DRK-410
	R-21,000	After 12-1999	DRK-451
21080-S	R-21,000	Before 12-1999	DRK-410
	R-21,000	After 12-1999	DRK-451
21121	R-21,000		DRK-1A
21221	R-21,000		DRK-1
21321	R-21,000		DRK-1
21421	R-21,000		DRK-1
22060-D	R-22,000		DRK-405R ⁴⁶
P22060-D	R-22,000		DRK-430
22060-S	R-22,000		DRK-404R ⁴³
P22060-S	R-22,000		DRK-429
22060-SH	R-22,000		DRK-429
22065-D	R-22,000		DRK-406
22065-P	R-22,000		DRK-403
22065-S	R-22,000		DRK-406
22065-T	R-22,000		DRK-403
22120	R-22,000		DRK-412
22121	R-22,000		DRK-412
22220	R-22,000		DRK-403
22221	R-22,000		DRK-403
22320	R-22,000		DRK-403
22321	R-22,000		DRK-403
22420	R-22,000		DRK-403
22421	R-22,000		DRK-403
22427	R-22,000		DRK-403
23060-SH	R-23,000		DRK-429
23070-D	R-23,000		DRK-407
23070-P	R-23,000		DRK-408
23070-S	R-23,000		DRK-407
23070-T	R-23,000		DRK-408
23080-D	R-23,000	Before 12-1999	DRK-410
	R-23,000	After 12-1999	DRK-451
23080-P	R-23,000	Before 4-6-88	DRK-72B
	R-23,000	After 4-6-88	DRK-219R
23080-S	R-23,000	Before 12-1999	DRK-410
	R-23,000	After 12-1999	DRK-451
23080-T	R-23,000	Before 4-6-88	DRK-72B
	R-23,000	After 4-6-88	DRK-219R
23082-P	R-23,000		DRK-219R
23082-T	R-23,000		DRK-219R
23085-C	R-23,000		DRK-219R
23085-D	R-23,000		DRK-410
23085-S	R-23,000		DRK-410
23085-T	R-23,000	After 4-6-88	DRK-219R
23090-D	R-23,000	After 12-1999	DRK-451
23090-S	R-23,000	After 12-1999	DRK-451
23105-C	R-23,000		DRK-401
23105-D	R-23,000		DRK-409

Eaton Index (cont'd)

Axle Mode	Type/Cap.	Comments	Kit
23105-S	R-23,000		DRK-402
23120	R-23,000	Large Spherical Differential	DRK-18E
23121	R-23,000	GMC Trucks	DRK-415
	R-23,000	Non-GMC Trucks	DRK-18E
23130	R-23,000		DRK-449
23141	R-23,000		DRK-449
23202	R-23,000		DRK-72
23220	R-23,000	w/ 27950 Case	DRK-72A
	R-23,000	w/103537 Case	DRK-72B
23221	R-23,000	w/ 27950 Case	DRK-72A
	R-23,000	w/103537 Case	DRK-72B
23227	R-23,000	Before 2-1-79	DRK-413
	R-23,000	After 2-1-79	DRK-219R
23302	R-23,000		DRK-72
23320	R-23,000	w/ 27950 Case	DRK-72A
	R-23,000	w/103537 Case	DRK-72B
23321	R-23,000	w/ 27950 Case	DRK-72A
	R-23,000	w/103537 Case	DRK-72B
23327	R-23,000	Before 2-1-79	DRK-413
	R-23,000	After 2-1-79	DRK-219R
23420	R-23,000	Before 2-1-79	DRK-413
	R-23,000	After 2-1-79	DRK-219R
23421	R-23,000		DRK-219R
23427	R-23,000		DRK-219R
23430	R-23,000	w/ CTD	DRK-219R
23433	R-23,000		DRK-219R
23437	R-23,000		DRK-219R
26080-D	R-26,000	Before 12-1999	DRK-410
	R-26,000	After 12-1999	DRK-451
26080-P	R-26,000		DRK-219R
26080-T	R-26,000		DRK-219R
26082-T	R-26,000		DRK-219R
26085-D	R-26,000	Before 12-1999	DRK-410
26085-S	R-26,000	Before 12-1999	DRK-410
26085-P	R-26,000	Before 4-6-88	DRK-72B
	R-26,000	After 4-6-88	DRK-219R
26085-T	R-26,000	Before 4-6-88	DRK-72B
	R-26,000	After 4-6-88	DRK-219R
26090-D	R-26,000	After 12-1999	DRK-451
26090-S	R-26,000	After 12-1999	DRK-451
26105-C	R-26,000		DRK-401
26105-S	R-26,000		DRK-402
26120	R-26,000	Large Spherical Differential	DRK-18E
	R-26,000	Small Spherical Differential	DRK-18D
26121	R-26,000	Large Spherical Differential	DRK-18E
	R-26,000	Small Spherical Differential	DRK-18D
26123	R-26,000	Large Spherical Differential	DRK-18E
	R-26,000	Small Spherical Differential	DRK-18D
26220	R-26,000	w/ 27950 Case	DRK-72A
	R-26,000	w/103537 Case	DRK-72B
26221	R-26,000	w/ 27950 Case	DRK-72A
	R-26,000	w/103537 Case	DRK-72B
26223	R-26,000	w/ 27950 Case	DRK-72A
	R-26,000	w/103537 Case	DRK-72B

Heavy Duty Differential Index

Eaton Index (cont'd)

Axle Mode	Type/Cap.	Comments	Kit
26320	R-26,000	w/ 27950 Case	DRK-72A
	R-26,000	w/103537 Case	DRK-72B
26321	R-26,000	w/ 27950 Case	DRK-72A
	R-26,000	w/103537 Case	DRK-72B
26323	R-26,000	w/ 27950 Case	DRK-72A
	R-26,000	w/103537 Case	DRK-72B
26420	R-26,000		DRK-413
26421	R-26,000		DRK-219R
26426	R-26,000		DRK-413
30055-P	R-30,000		DRK-219R
30105-C	R-30,000		DRK-401
30105-S	R-30,000		DRK-402
30427	R-30,000		DRK-1
33321	R-33,000	w/ 27950 Case	DRK-72A
	R-33,000	w/103537 Case	DRK-72B
35055-P	R-35,000		DRK-219R
35227	R-35,000	w/ 27950 Case	DRK-413
	R-35,000	w/103537 Case	DRK-219R
35327	R-35,000	w/ 27950 Case	DRK-413
	R-35,000	w/103537 Case	DRK-219R

GMC Index

Axle Mode	Type/Cap.	Comments	Kit
H052	R-5,200	1968-On	DRK-700
H072	R-7,200	1968-On	DRK-700
H110	R-11,000	Before 1983	DRK-701
H130	R-13,000	Late Models	DRK-701
H150	R-15,000	Before 1982	DRK-702
T150	R-15,000	1996-1983	DRK-170
H170	R-17,000	Before 1979	DRK-702
T170	R-17,000	1966-On	DRK-170

International Harvester/ Navistar Index

Axle Mode	Type/Cap.	Comments	Kit
RA15	R-6,000		DRK-195
RA25	R-13,500		DRK-202
RA29	R-15,500		DRK-191R
RA30	R-15,000		DRK-202
RA35	R-16,000		DRK-191R
RA39	R-16,000		DRK-191R
RA42	R-	w/ Involute Splines	DRK-192RB
	R-	w/o Involute Splines and Below Serial # 5141	DRK-192RA
	R-	w/o Involute Splines and Serial # 5141 & Above	DRK-192R
RA43	R-18,500	w/ Involute Splines	DRK-192RB
	R-18,500	w/o Involute Splines and Below Serial # 5141	DRK-192RA
	R-18,500	w/o Involute Splines and Serial # 5141 & Above	DRK-192R

International Harvester/ Navistar Index (cont'd)

Axle Mode	Type/Cap.	Comments	Kit
RA44	R-18,500	w/ Involute Splines	DRK-192RB
	R-18,500	w/o Involute Splines and Below Serial # 5141	DRK-192RA
	R-18,500	w/o Involute Splines and Serial # 5141 & Above	DRK-192R
RA47	R-18,500	w/ Involute Splines	DRK-192RB
	R-18,500	w/o Involute Splines and Below Serial # 5141	DRK-192RA
	R-18,500	w/o Involute Splines and Serial # 5141 & Above	DRK-192R
RA48	R-18,500	w/ Involute Splines	DRK-192RB
	R-18,500	w/o Involute Splines and Below Serial # 5141	DRK-192RA
	R-18,500	w/o Involute Splines and Serial # 5141 & Above	DRK-192R
RA57	R-23,000	# G261412 & Up	DRK-198
	R-23,000	w/Involute Splines	DRK-201R
RA341	RF-30,000		DRK-191F
	RR-30,000		DRK-191R
RA351	RF-34,000	Below Diff Ser . #21453	DRK-192FC
	RF-34,000	Diff Ser . #21453 & Higher w/Tapered Drive Bearings	DRK-192FB
	RR-34,000	Involute Splines	DRK-192RB
	RR-34,000	Below Serial # 18798	DRK-192RA
	RR-34,000	Serial # 18798 & Above	DRK-192R
	RF-38,000	Below Diff Ser . #21453	DRK-192FC
RA355	RF-38,000	Diff Ser . #21453 & Higher w/Tapered Drive Bearings	DRK-192FB
	RR-38,000	Involute Splines	DRK-192RB
	RR-38,000	Below Diff Ser . # 18798	DRK-192RA
	RR-38,000	Diff Ser . # 19798 & Up	DRK-192R
	RF-	Below Diff Ser . #21453	DRK-192FC
	RF-	Diff Ser . #21453 & Higher w/Tapered Drive Bearings	DRK-192FB
	RR-	w/Involute Splines	DRK-192RB
	RR-	Below Diff Ser . # 18798	DRK-192RA
	RR-	Diff Ser . # 18798 & Up	DRK-192R
RA387	RF-	Below Diff Ser . #21453	DRK-192FC
	RF-	Diff Ser . #21453 & Higher w/Tapered Drive Bearings	DRK-192FB
	RR-	w/Involute Splines	DRK-192RB
	RR-	Below Diff Ser . # 18798	DRK-192RA
	RR-	Diff Ser . # 18798 & Up	DRK-192R
	RF-	Below Diff Ser . #21453	DRK-192FC
RA429	RF-	Diff Ser . #21453 & Higher w/Tapered Drive Bearings	DRK-192FB
	RR-	w/Involute Splines	DRK-198
	RR-	w/Involute Splines	DRK-201R
RA472	RF-	Involute Splines	DRK-200F
	RF-	Involute Splines (Late Design)	DRK-200FA
RA474	RR-	Involute Splines	DRK-192RB
	RF-46,000	Involute Splines	DRK-201F
	RF-46,000	Involute Splines (Late Design)	DRK-201FA
	RR-46,000	Involute Splines	DRK-201R

Heavy Duty Differential Index

HD Differential

Mack Index

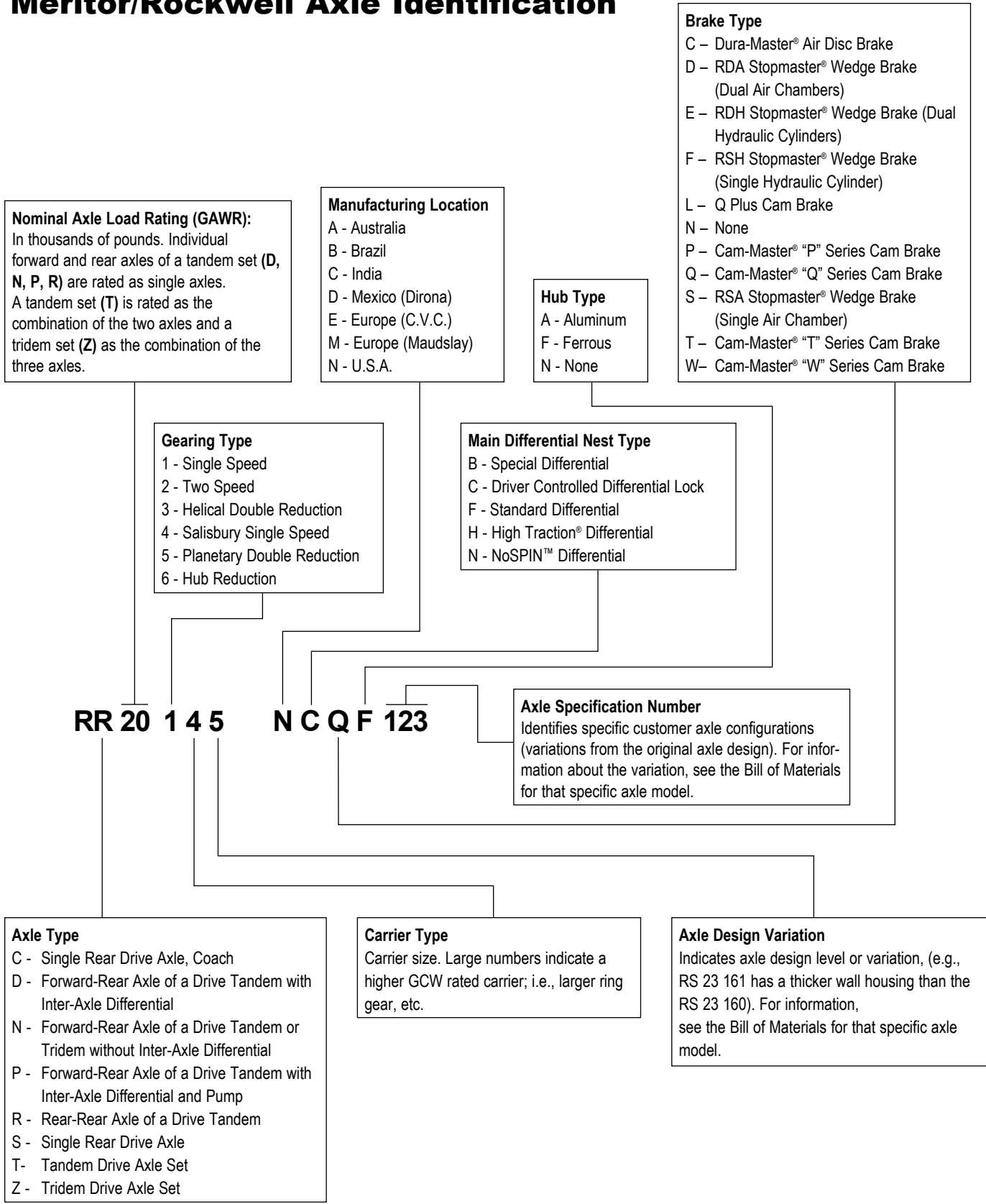
Axle Mode	Type/Cap.	Comments	Kit
RAD23	R-		DRK-117
SW29	RF- & RR-		DRK-205
SW30	RF- & RR-		DRK-205
SW31	RF- & RR-		DRK-205
CRDP32			DRK-504
SWD32	RF- & RR-		DRK-206
CRD33			DRK-505
AWDR48	RF- & RR-		DRK-117
SWS59	RF-		DRK-212F
	RR-		DRK-212R
SWW59	RF-		DRK-212F
	RR-		DRK-212R
SS65	RF-		DRK-212F
	RR-		DRK-212R
SW65	RF-		DRK-212F
	RR-		DRK-212R
SWD69	RF-		DRK-212F
	RR-		DRK-212R
SWW69	RF-		DRK-212F
	RR-		DRK-212R
SWW69W	RF-		DRK-212F
	RR-		DRK-212R
CRD78	R-22,000		DRK-117
SW80	RF-		DRK-212F
	RR-		DRK-212R
CRDLP92		w/11KH5312, 5313	DRK-206
		w/11KH5313	DRK-206
		w/11KH5316, 5317, 5318, 5319	DRK-206
SWS92	RF-		DRK-212F
	RR-		DRK-212R
CRD93		Non-Current	DRK-502
		w/11KH5326, 5327, 5330	DRK-205
CRD93A			DRK-503
CRDLP93			DRK-205
SWS93	RF-		DRK-212F
	RR-		DRK-212R
CRD94			DRK-117
CRDP95			DRK-212F
SWWP95	RF-		DRK-212F
	RR-		DRK-212R
CRD96			DRK-212R
CRDPC112		w/11KH5333, 5334, 5336	DRK-206
CRD113		Non-Current	DRK-502
		w/11KH5341, 5342	DRK-205
CRD116	R-22,000	Non-Current	DRK-117A
	R-22,000	w/11KHA4165, 4165A	DRK-117
CRD117		Non-Current	DRK-117A
		w/11KHA4159API-AP14	DRK-117
		w/11KHA45159CP12	DRK-117
CRD118			DRK-506
C150	F-		DRK-507
CRD150	F-		DRK-507
CRDPC150	F-		DRK-507
C151	R-		DRK-508

Mack Index (cont'd)

Axle Mode	Type/Cap.	Comments	Kit
CRD151	R-		DRK-508
CRDP200	F-		DRK-500
CRD201	R-		DRK-501
CRD202	F-		DRK-500
CRD203	R-		DRK-501
RAD303	R-		DRK-117
RAD305	R-		DRK-117
RAD500	R-		DRK-117
RAS500	R-		DRK-117
RAD501	R-		DRK-117
RAD507	R-22,000		DRK-117
RAD508	R-22,000		DRK-117
RAD509	R-22,000		DRK-117
RAD512	R-22,000		DRK-117
RAD529	R-23,000		DRK-117
RAD529CW	R-		DRK-117
RADL529	R-23,000		DRK-117
RAD530	R-23,000		DRK-117
RAD530C	R-		DRK-117
SWS592	RF-		DRK-212F
	RR-		DRK-212R
SWW592	RR-		DRK-212R
	RF-		DRK-212F
RAD606	R-27,000		DRK-117
RAD606C	R-		DRK-117
SWD691	RF-		DRK-212F
	RR-		DRK-212R
RAD705	R-41,000		DRK-117
CRD781	R-22,000		DRK-117
SWP801	RF-		DRK-212F
	RR-		DRK-212R
RADF1000	R-		DRK-117
RADP1000	R-		DRK-117
RADP1001	R-		DRK-117
CRD1161	R-22,000	Non-Current	DRK-117A
	R-22,000	w/11KHA4159, 4159A, 4166, 4166A	DRK-117
CRD1171	R-22,000	Non-Current	DRK-117A
	R-22,000	w/11KHA4159C, 4167B	DRK-117
	R-22,000	w/11KHA4167, 4167A	DRK-117
CRDPC1501	F-		DRK-507
CRD1511	R-		DRK-508
RAD5291	R-23,000		DRK-117
RADL5291	R-23,000		DRK-117

Heavy Duty Differential Index

Meritor/Rockwell Axle Identification



Heavy Duty Differential Index

HD Differential

14X Series Single Axles

Axle Model	Sub Model	Type/ Cap.#	Carriers	Notes	Kit
MS-17-14X		R-17,000	All	Hypoid w/o Diff Lock	DRK-4843
				Hypoid w/ Diff Lock	DRK-4844
MS-19-14X		R-17,000	All	Hypoid w/o Diff Lock	DRK-4843
				Hypoid w/ Diff Lock	DRK-4844
MS-21-14X		R-17,000	All	Hypoid w/o Diff Lock	DRK-4843
				Hypoid w/ Diff Lock	DRK-4844

14X Series Tandem Axles

Axle Model	Sub Model	Type/ Cap.#	Carriers	Notes	Kit
MD-34-14X	MD-17-14X	RF-17,000	All		DRK-4841
	MR-17-14X	RR-17,000	All	Amboind	DRK-4842
	MR-17-14X			Hypoid w/o Diff Lock	DRK-4843
	MR-17-14X			Hypoid w/ Diff Lock	DRK-4844
	MR-17-14X				
MD-40-14X	MD-20-14X	RF-20,000	All		DRK-4841
	MR-20-14X	RR-20,000	All	Amboind	DRK-4842
	MR-20-14X			Hypoid w/o Diff Lock	DRK-4843
	MR-20-14X			Hypoid w/ Diff Lock	DRK-4844
	MR-20-14X				
MT-44-14X	MD-22-14X	RF-22,000	All		DRK-4841
	MR-22-14X	RR-22,000	All	Hypoid w/o Diff Lock	DRK-4843
	MR-22-14X			Hypoid w/ Diff Lock	DRK-4844
	MR-22-14X				

113 Series Single Axles

Axle Model	Sub Model	Type/ Cap.#	Carriers	Notes	Kit
MS-10-113		R-10,000	All		DRK-4753
MS-11-113		R-11,000	All		DRK-4753
MS-12-113		R-12,000	All		DRK-4753

120, 125 Series Single Axles

Axle Model	Sub Model	Type/ Cap.#	Carriers	Notes	Kit
RS-13-120		R-13,000	All		DRK-218
RS-15-120		R-15,000	All		DRK-218
RS-15-125		R-15,000	All		DRK-218

140, 141, 143, 144 & 145 Series Single Axles

Axle Model	Sub Model	Type/ Cap.#	Carriers	Notes	Kit
RS-16-140		R-16,000	L1676		DRK-4350
			M1547		DRK-4345
RS-16-141		R-16,000	All		DRK-217R
RS-17-140		R-17,000	L1676		DRK-4350
			M1547		DRK-4345
RS-17-141		R-17,000	All		DRK-217R
RS-17-144		R-17,000	D1850		DRK-217R
			E1851		DRK-217R

140, 141, 143, 144 & 145 Series Single Axles

Axle Model	Sub Model	Type/ Cap.#	Carriers	Notes	Kit			
RS-17-144			G1879		DRK-4390			
			L1676		DRK-217R			
			M1885		DRK-217R			
			Q1785		DRK-217R			
			R1500		DRK-224			
			S1895		DRK-217R			
RS-17-145		R-17,000	All		DRK-4390			
			X1558		DRK-4390			
RS-19-144		R-19,000	D1850		DRK-217R			
			E1851		DRK-217R			
			G1879		DRK-4390			
			L1676		DRK-217R			
			M1885		DRK-217R			
			Q1785		DRK-217R			
			R1500		DRK-224			
			S1895		DRK-217R			
			X1558		DRK-4390			
			RS-19-145		R-19,000	All		DRK-217R
			RS-21-145		R-21,000	D1850		DRK-217R
						E1851		DRK-217R
G1879		DRK-4390						
L1676		DRK-217R						
M1885		DRK-217R						
Q1785		DRK-217R						
R1500		DRK-224						
S1895		DRK-217R						
X1558		DRK-4390						

140, 141, 143, 144 & 145 Series Tandem Axles

Axle Model	Sub Model	Type/ Cap.#	Carriers	Notes	Kit
RT-34-144	RD-17-144	RF-17,000	B1978	Before 11-1993 w/ Original 39 Spline Input	DRK-217F
				After 11-1993 w/ New 46 Spline Input	DRK-4395
			B1978	Before 11-1993 w/ Original 39 Spline Input	DRK-4396
				After 11-1993 w/ New 46 Spline Input	DRK-4396
			C1979	Before 11-1993 w/ Original 39 Spline Input	DRK-217F
				After 11-1993 w/ New 46 Spline Input	DRK-4395
			C1979	Before 11-1993 w/ Original 39 Spline Input	DRK-4396
				After 11-1993 w/ New 46 Spline Input	DRK-4396
			E1903	Before 11-1993 w/ Original 39 Spline Input	DRK-4405
				After 11-1993 w/ New 46 Spline Input	DRK-4406
			E1981	Before 11-1993 w/ Original 39 Spline Input	DRK-4405
				After 11-1993 w/ New 46 Spline Input	DRK-4406
			F1852	Before 11-1993 w/ Original 39 Spline Input	DRK-217F
				After 11-1993 w/ New 46 Spline Input	DRK-4395
			F1852	Before 11-1993 w/ Original 39 Spline Input	DRK-4396
				After 11-1993 w/ New 46 Spline Input	DRK-4396
G1645	Before 11-1993 w/ Original 39 Spline Input	DRK-217F			
	After 11-1993 w/ New 46 Spline Input	DRK-4395			

Heavy Duty Differential Index

140, 141, 143, 144 & 145 Series Tandem Axles					
Axle Model	Sub Model	Type/Cap.#	Carriers	Notes	Kit
RT-34-144	RD-17-144		G1645	After 11-1993	DRK-4396
	RD-17-144		M1677	Before 11-1993	DRK-4405
	RD-17-144		M1677	After 11-1993	DRK-4406
	RD-17-144		N1860	Before 11-1993 w/	DRK-217F
	RD-17-144			Original 39 Spline	
	RD-17-144			Input	
	RD-17-144	N1860		Before 11-1993 w/	DRK-4395
	RD-17-144			New 46 Spline	
	RD-17-144			Input	
	RD-17-144	N1860		After 11-1993	DRK-4396
	RD-17-144	R1890		Before 11-1993	DRK-4405
	RD-17-144	R1890		After 11-1993	DRK-4406
	RD-17-144	S1917		Before 11-1993 w/	DRK-217F
	RD-17-144			Original 39 Spline	
	RD-17-144			Input	
	RD-17-144	S1917		Before 11-1993 w/	DRK-4395
	RD-17-144			New 46 Spline	
	RD-17-144			Input	
	RD-17-144	S1917		After 11-1993	DRK-4396
	RD-17-144	T1814		Before 11-1993 w/	DRK-217F
	RD-17-144			Original 39 Spline	
	RD-17-144			Input	
	RD-17-144	T1814		Before 11-1993 w/	DRK-4395
	RD-17-144			New 46 Spline	
	RD-17-144			Input	
	RD-17-144	T1814		After 11-1993	DRK-4396
	RD-17-144	U1815		Before 11-1993	DRK-4405
	RD-17-144	U1815		After 11-1993	DRK-4406
	RP-17-144	RF-17,000	D1902	Before 11-1993	DRK-4405
	RP-17-144		D1902	After 11-1993	DRK-4406
	RP-17-144		G1853	Before 11-1993 w/	DRK-217F
	RP-17-144			Original 39 Spline	
	RP-17-144			Input	
	RP-17-144	G1853		Before 11-1993 w/	DRK-4395
	RP-17-144			New 46 Spline	
	RP-17-144			Input	
	RP-17-144	G1853		After 11-1993	DRK-4396
	RP-17-144	H1984		Before 11-1993 w/	DRK-217F
	RP-17-144			Original 39 Spline	
	RP-17-144			Input	
	RP-17-144	H1984		Before 11-1993 w/	DRK-4395
	RP-17-144			New 46 Spline	
	RP-17-144			Input	
	RP-17-144	H1984		After 11-1993	DRK-4396
	RP-17-144	K1987		Before 11-1993	DRK-4405
	RP-17-144	K1987		After 11-1993	DRK-4406
	RP-17-144	L1624		Before 11-1993	DRK-4405
	RP-17-144	L1624		After 11-1993	DRK-4406
	RP-17-144	P1888		Before 11-1993	DRK-4405
	RP-17-144	P1888		After 11-1993	DRK-4406
	RP-17-144	V1816		Before 11-1993 w/	DRK-217F
	RP-17-144			Original 39 Spline	
	RP-17-144			Input	
	RP-17-144	V1816		Before 11-1993 w/	DRK-4395
	RP-17-144			New 46 Spline	
	RP-17-144			Input	
	RP-17-144	V1816		After 11-1993	DRK-4396
	RP-17-144	W1817		Before 11-1993	DRK-4405
	RP-17-144	W1817		After 11-1993	DRK-4406
	RP-17-144	X1662		Before 11-1993 w/	DRK-217F
	RP-17-144			Original 39 Spline	
	RP-17-144			Input	

140, 141, 143, 144 & 145 Series Tandem Axles					
Axle Model	Sub Model	Type/Cap.#	Carriers	Notes	Kit
	RP-17-144		X1662	Before 11-1993 w/	DRK-4395
	RP-17-144			New 46 Spline	
	RP-17-144			Input	
	RP-17-144		X1662	After 11-1993	DRK-4396
	RR-17-144	RR-17,000	D1850		DRK-217R
	RR-17-144		E1851		DRK-217R
	RR-17-144		G1879		DRK-4390
	RR-17-144		L1676		DRK-217R
	RR-17-144		M1885		DRK-217R
	RR-17-144		Q1785		DRK-217R
	RR-17-144		S1865		DRK-217R
	RR-17-144		X1558		DRK-4390
RT-34-145		RT-34,000	All	Before 11-1993 w/	DRK-217F
				Original 39 Spline	
				Input	
	RD-17-145	RF-17,000	All	Before 11-1993 w/	DRK-4395
	RD-17-145			New 46 Spline	
	RD-17-145			Input	
	RD-17-145		All	After 11-1993	DRK-4396
	RP-17-145	RF-17,000	All	Before 11-1993	DRK-4395
	RP-17-145		All	After 11-1993	DRK-4396
	RR-17-145	RR-17,000	All		DRK-217R
RT-38-144	RD-19-144	RF-19,000	B1978	Before 11-1993 w/	DRK-217F
	RD-19-144			Original 39 Spline	
	RD-19-144			Input	
	RD-19-144		B1978	Before 11-1993 w/	DRK-4395
	RD-19-144			New 46 Spline	
	RD-19-144			Input	
	RD-19-144		B1978	After 11-1993	DRK-4396
	RD-19-144		C1979	Before 11-1993 w/	DRK-217F
	RD-19-144			Original 39 Spline	
	RD-19-144			Input	
	RD-19-144		C1979	Before 11-1993 w/	DRK-4395
	RD-19-144			New 46 Spline	
	RD-19-144			Input	
	RD-19-144		C1979	After 11-1993	DRK-4396
	RD-19-144		E1903	Before 11-1993	DRK-4405
	RD-19-144		E1903	After 11-1993	DRK-4406
	RD-19-144		E1981	Before 11-1993	DRK-4405
	RD-19-144		E1981	After 11-1993	DRK-4406
	RD-19-144		F1852	Before 11-1993 w/	DRK-217F
	RD-19-144			Original 39 Spline	
	RD-19-144			Input	
	RD-19-144		F1852	Before 11-1993 w/	DRK-4395
	RD-19-144			New 46 Spline	
	RD-19-144			Input	
	RD-19-144		F1852	After 11-1993	DRK-4396
	RD-19-144		G1645	Before 11-1993 w/	DRK-217F
	RD-19-144			Original 39 Spline	
	RD-19-144			Input	
	RD-19-144		G1645	Before 11-1993 w/	DRK-4395
	RD-19-144			New 46 Spline	
	RD-19-144			Input	
	RD-19-144		G1645	After 11-1993	DRK-4396
	RD-19-144		M1677	Before 11-1993	DRK-4405
	RD-19-144		M1677	After 11-1993	DRK-4406
	RD-19-144		N1860	Before 11-1993 w/	DRK-217F
	RD-19-144			Original 39 Spline	
	RD-19-144			Input	
	RD-19-144		N1860	Before 11-1993 w/	DRK-4395
	RD-19-144			New 46 Spline	
	RD-19-144			Input	
	RD-19-144		N1860	After 11-1993	DRK-4396

HD Differential

Heavy Duty Differential Index

HD Differential

140, 141, 143, 144 & 145 Series Tandem Axles					
Axle Model	Sub Model	Type/Cap.#	Carriers	Notes	Kit
RT-38-144	RD-19-144		R1890	Before 11-1993	DRK-4405
	RD-19-144		R1890	After 11-1993	DRK-4406
	RD-19-144		S1917	Before 11-1993 w/	DRK-217F
	RD-19-144			Original 39 Spline	
	RD-19-144			Input	
	RD-19-144		S1917	Before 11-1993 w/	DRK-4395
	RD-19-144			New 46 Spline	
	RD-19-144			Input	
	RD-19-144		S1917	After 11-1993	DRK-4396
	RD-19-144		T1814	Before 11-1993 w/	DRK-217F
	RD-19-144			Original 39 Spline	
	RD-19-144			Input	
	RD-19-144		T1814	Before 11-1993 w/	DRK-4395
	RD-19-144			New 46 Spline	
	RD-19-144			Input	
	RD-19-144		T1814	After 11-1993	DRK-4396
	RD-19-144		U1815	Before 11-1993	DRK-4405
	RD-19-144		U1815	After 11-1993	DRK-4406
	RP-19-144	RF-19,000	D1902	Before 11-1993	DRK-4405
	RP-19-144		D1902	After 11-1993	DRK-4406
	RP-19-144		G1853	Before 11-1993 w/	DRK-217F
	RP-19-144			Original 39 Spline	
	RP-19-144			Input	
	RP-19-144		G1853	Before 11-1993 w/	DRK-4395
	RP-19-144			New 46 Spline	
	RP-19-144			Input	
	RP-19-144		G1853	After 11-1993	DRK-4396
	RP-19-144		H1984	Before 11-1993 w/	DRK-217F
	RP-19-144			Original 39 Spline	
	RP-19-144			Input	
	RP-19-144		H1984	Before 11-1993 w/	DRK-4395
	RP-19-144			New 46 Spline	
	RP-19-144			Input	
	RP-19-144		H1984	After 11-1993	DRK-4396
	RP-19-144		K1987	Before 11-1993	DRK-4405
	RP-19-144		K1987	After 11-1993	DRK-4406
	RP-19-144		L1624	Before 11-1993	DRK-4405
	RP-19-144		L1624	After 11-1993	DRK-4406
	RP-19-144		P1888	Before 11-1993	DRK-4405
	RP-19-144		P1888	After 11-1993	DRK-4406
	RP-19-144		V1816	Before 11-1993 w/	DRK-217F
	RP-19-144			Original 39 Spline	
	RP-19-144			Input	
	RP-19-144		V1816	Before 11-1993 w/	DRK-4395
	RP-19-144			New 46 Spline	
	RP-19-144			Input	
	RP-19-144		V1816	After 11-1993	DRK-4396
	RP-19-144		W1817	Before 11-1993	DRK-4405
	RP-19-144		W1817	After 11-1993	DRK-4406
	RP-19-144		X1662	Before 11-1993 w/	DRK-217F
	RP-19-144			Original 39 Spline	
	RP-19-144			Input	
	RP-19-144		X1662	Before 11-1993 w/	DRK-4395
	RP-19-144			New 46 Spline	
	RP-19-144			Input	
	RP-19-144		X1662	After 11-1993	DRK-4396
	RR-19-144	RR-19,000	D1850		DRK-217R
	RR-19-144		E1851		DRK-217R
	RR-19-144		G1879		DRK-4390
	RR-19-144		L1676		DRK-217R
	RR-19-144		M1885		DRK-217R
	RR-19-144		Q1785		DRK-217R
	RR-19-144		S1865		DRK-217R

140, 141, 143, 144 & 145 Series Tandem Axles					
Axle Model	Sub Model	Type/Cap.#	Carriers	Notes	Kit
RT-38-144	RR-19-144		X1558		DRK-4390
RT-40-140	RD-20-140	RF-20,000	All	Before 11-1993	DRK-4355
	RD-20-140		All	After 11-1993	DRK-4356
	RR-20-140	RR-20,000	All		DRK-217R
MT-40-143	MD-20-143	RF-20,000	B1978	Before 11-1993 w/	DRK-217F
	MD-20-143			Original 39 Spline	
	MD-20-143			Input	
	MD-20-143		B1978	Before 11-1993 w/	DRK-4395
	MD-20-143			New 46 Spline	
	MD-20-143			Input	
	MD-20-143		B1978	After 11-1993	DRK-4396
	MD-20-143		C1979	Before 11-1993 w/	DRK-217F
	MD-20-143			Original 39 Spline	
	MD-20-143			Input	
	MD-20-143		C1979	Before 11-1993 w/	DRK-4395
	MD-20-143			New 46 Spline	
	MD-20-143			Input	
	MD-20-143		C1979	After 11-1993	DRK-4396
	MD-20-143		E1903	Before 11-1993	DRK-4405
	MD-20-143		E1903	After 11-1993	DRK-4406
	MD-20-143		E1981	Before 11-1993	DRK-4405
	MD-20-143		E1981	After 11-1993	DRK-4406
	MD-20-143		F1852	Before 11-1993 w/	DRK-217F
	MD-20-143			Original 39 Spline	
	MD-20-143			Input	
	MD-20-143		F1852	Before 11-1993 w/	DRK-4395
	MD-20-143			New 46 Spline	
	MD-20-143			Input	
	MD-20-143		F1852	After 11-1993	DRK-4396
	MD-20-143		G1645	Before 11-1993 w/	DRK-217F
	MD-20-143			Original 39 Spline	
	MD-20-143			Input	
	MD-20-143		G1645	Before 11-1993 w/	DRK-4395
	MD-20-143			New 46 Spline	
	MD-20-143			Input	
	MD-20-143		G1645	After 11-1993	DRK-4396
	MD-20-143		M1677	Before 11-1993	DRK-4405
	MD-20-143		M1677	After 11-1993	DRK-4406
	MD-20-143		N1860	Before 11-1993 w/	DRK-217F
	MD-20-143			Original 39 Spline	
	MD-20-143			Input	
	MD-20-143		N1860	Before 11-1993 w/	DRK-4395
	MD-20-143			New 46 Spline	
	MD-20-143			Input	
	MD-20-143		N1860	After 11-1993	DRK-4396
	MD-20-143		R1890	Before 11-1993	DRK-4405
	MD-20-143		R1890	After 11-1993	DRK-4406
	MD-20-143		S1917	Before 11-1993 w/	DRK-217F
	MD-20-143			Original 39 Spline	
	MD-20-143			Input	
	MD-20-143		S1917	Before 11-1993 w/	DRK-4395
	MD-20-143			New 46 Spline	
	MD-20-143			Input	
	MD-20-143		S1917	After 11-1993	DRK-4396
	MD-20-143		T1814	Before 11-1993 w/	DRK-217F
	MD-20-143			Original 39 Spline	
	MD-20-143			Input	
	MD-20-143		T1814	Before 11-1993 w/	DRK-4395
	MD-20-143			New 46 Spline	
	MD-20-143			Input	
	MD-20-143		T1814	After 11-1993	DRK-4396
	MD-20-143		U1815	Before 11-1993	DRK-4405
	MD-20-143		U1815	After 11-1993	DRK-4406

Heavy Duty Differential Index

140, 141, 143, 144 & 145 Series Tandem Axles						
Axle Model	Sub Model	Type/Cap.#	Carriers	Notes	Kit	
MT-40-143	MP-20-143	RF-20,000	D1902	Before 11-1993	DRK-4405	
	MP-20-143		D1902	After 11-1993	DRK-4406	
	MP-20-143		G1853	Before 11-1993 w/	DRK-217F	
	MP-20-143			Original 39 Spline		
	MP-20-143			Input		
	MP-20-143		G1853	Before 11-1993 w/	DRK-4395	
	MP-20-143			New 46 Spline		
	MP-20-143			Input		
	MP-20-143		G1853	After 11-1993	DRK-4396	
	MP-20-143		H1984	Before 11-1993 w/	DRK-217F	
	MP-20-143			Original 39 Spline		
	MP-20-143			Input		
	MP-20-143		H1984	Before 11-1993 w/	DRK-4395	
	MP-20-143			New 46 Spline		
	MP-20-143			Input		
	MP-20-143		H1984	After 11-1993	DRK-4396	
	MP-20-143		K1987	Before 11-1993	DRK-4405	
	MP-20-143		K1987	After 11-1993	DRK-4406	
	MP-20-143		L1624	Before 11-1993	DRK-4405	
	MP-20-143		L1624	After 11-1993	DRK-4406	
	MP-20-143		P1888	Before 11-1993	DRK-4405	
	MP-20-143		P1888	After 11-1993	DRK-4406	
	MP-20-143		V1816	Before 11-1993 w/	DRK-217F	
	MP-20-143			Original 39 Spline		
	MP-20-143			Input		
	MP-20-143		V1816	Before 11-1993 w/	DRK-4395	
	MP-20-143			New 46 Spline		
	MP-20-143			Input		
	MP-20-143		V1816	After 11-1993	DRK-4396	
	MP-20-143		W1817	Before 11-1993	DRK-4405	
	MP-20-143		W1817	After 11-1993	DRK-4406	
	MP-20-143		X1662	Before 11-1993 w/	DRK-217F	
	MP-20-143			Original 39 Spline		
	MP-20-143			Input		
	MP-20-143		X1662	Before 11-1993 w/	DRK-4395	
	MP-20-143			New 46 Spline		
	MP-20-143			Input		
	MP-20-143		X1662	After 11-1993	DRK-4396	
	MR-20-143		RR-20,000	All		DRK-4461
	RT-40-145		RD-20-145	RF-20,000	B1978	Before 11-1993 w/
RD-20-145			Original 39 Spline			
RD-20-145			Input			
RD-20-145		B1978	Before 11-1993 w/		DRK-4395	
RD-20-145			New 46 Spline			
RD-20-145			Input			
RD-20-145		B1978	After 11-1993		DRK-4396	
RD-20-145		C1979	Before 11-1993 w/		DRK-217F	
RD-20-145			Original 39 Spline			
RD-20-145			Input			
RD-20-145		C1979	Before 11-1993 w/		DRK-4395	
RD-20-145			New 46 Spline			
RD-20-145			Input			
RD-20-145		C1979	After 11-1993		DRK-4396	
RD-20-145		E1903	Before 11-1993		DRK-4405	
RD-20-145		E1903	After 11-1993		DRK-4406	
RD-20-145		E1981	Before 11-1993		DRK-4405	
RD-20-145		E1981	After 11-1993		DRK-4406	
RD-20-145		F1852	Before 11-1993 w/		DRK-217F	
RD-20-145			Original 39 Spline			
RD-20-145			Input			
RD-20-145		F1852	Before 11-1993 w/		DRK-4395	
RD-20-145			New 46 Spline			
RD-20-145			Input			

140, 141, 143, 144 & 145 Series Tandem Axles					
Axle Model	Sub Model	Type/Cap.#	Carriers	Notes	Kit
RT-40-145	RD-20-145		F1852	After 11-1993	DRK-4396
	RD-20-145		G1645	Before 11-1993 w/	DRK-217F
	RD-20-145			Original 39 Spline	
	RD-20-145			Input	
	RD-20-145	G1645	Before 11-1993 w/	DRK-4395	
	RD-20-145		New 46 Spline		
	RD-20-145		Input		
	RD-20-145	G1645	After 11-1993	DRK-4396	
	RD-20-145	M1677	Before 11-1993	DRK-4405	
	RD-20-145	M1677	After 11-1993	DRK-4406	
	RD-20-145	N1860	Before 11-1993 w/	DRK-217F	
	RD-20-145		Original 39 Spline		
	RD-20-145		Input		
	RD-20-145	N1860	Before 11-1993 w/	DRK-4395	
	RD-20-145		New 46 Spline		
	RD-20-145		Input		
	RD-20-145	N1860	After 11-1993	DRK-4396	
	RD-20-145	R1890	Before 11-1993	DRK-4405	
	RD-20-145	R1890	After 11-1993	DRK-4406	
	RD-20-145	S1917	Before 11-1993 w/	DRK-217F	
	RD-20-145		Original 39 Spline		
	RD-20-145		Input		
	RD-20-145	S1917	Before 11-1993 w/	DRK-4395	
	RD-20-145		New 46 Spline		
	RD-20-145		Input		
	RD-20-145	S1917	After 11-1993	DRK-4396	
	RD-20-145	T1814	Before 11-1993 w/	DRK-217F	
	RD-20-145		Original 39 Spline		
	RD-20-145		Input		
	RD-20-145	T1814	Before 11-1993 w/	DRK-4395	
	RD-20-145		New 46 Spline		
	RD-20-145		Input		
	RD-20-145	T1814	After 11-1993	DRK-4396	
	RD-20-145	U1815	Before 11-1993	DRK-4405	
	RD-20-145	U1815	After 11-1993	DRK-4406	
	RP-20-145	RF-20,000	D1902	Before 11-1993	DRK-4405
	RP-20-145		D1902	After 11-1993	DRK-4406
	RP-20-145		G1853	Before 11-1993 w/	DRK-217F
	RP-20-145			Original 39 Spline	
	RP-20-145			Input	
	RP-20-145	G1853	Before 11-1993 w/	DRK-4395	
	RP-20-145		New 46 Spline		
	RP-20-145		Input		
	RP-20-145	G1853	After 11-1993	DRK-4396	
	RP-20-145	H1984	Before 11-1993 w/	DRK-217F	
	RP-20-145		Original 39 Spline		
	RP-20-145		Input		
	RP-20-145	H1984	Before 11-1993 w/	DRK-4395	
	RP-20-145		New 46 Spline		
	RP-20-145		Input		
	RP-20-145	H1984	After 11-1993	DRK-4396	
	RP-20-145	K1987	Before 11-1993	DRK-4405	
RP-20-145	K1987	After 11-1993	DRK-4406		
RP-20-145	L1624	Before 11-1993	DRK-4405		
RP-20-145	L1624	After 11-1993	DRK-4406		
RP-20-145	P1888	Before 11-1993	DRK-4405		
RP-20-145	P1888	After 11-1993	DRK-4406		
RP-20-145	V1816	Before 11-1993 w/	DRK-217F		
RP-20-145		Original 39 Spline			
RP-20-145		Input			
RP-20-145	V1816	Before 11-1993 w/	DRK-4395		
RP-20-145		New 46 Spline			
RP-20-145		Input			

HD Differential

Heavy Duty Differential Index

HD Differential

140, 141, 143, 144 & 145 Series Tandem Axles

Axle Model	Sub Model	Type/ Cap.#	Carriers	Notes	Kit
RT-40-145	RP-20-145		V1816	After 11-1993	DRK-4396
	RP-20-145		W1817	Before 11-1993	DRK-4405
	RP-20-145		W1817	After 11-1993	DRK-4406
	RP-20-145		X1662	Before 11-1993 w/	DRK-217F
	RP-20-145			Original 39 Spline	
	RP-20-145			Input	
	RP-20-145	X1662		Before 11-1993 w/	DRK-4395
	RP-20-145			New 46 Spline	
	RP-20-145			Input	
	RP-20-145	X1662		After 11-1993	DRK-4396
	RR-20-145	RR-20,000	D1850		DRK-217R
	RR-20-145		E1851		DRK-217R
	RR-20-145		G1879		DRK-4390
	RR-20-145		L1676		DRK-217R
	RR-20-145		M1885		DRK-217R
	RR-20-145		Q1785		DRK-217R
	RR-20-145		S1865		DRK-217R
	RR-20-145		X1558		DRK-4390
RT-44-145	RD-22-145	RF-22,000	B1874	Before 11-1993 w/	DRK-217F
	RD-22-145			Original 39 Spline	
	RD-22-145			Input	
	RD-22-145	B1874		Before 11-1993 w/	DRK-4395
	RD-22-145			New 46 Spline	
	RD-22-145			Input	
	RD-22-145	B1874		After 11-1993	DRK-4396
	RD-22-145	C1875		Before 11-1993	DRK-4405
	RD-22-145	C1875		After 11-1993	DRK-4406
	RD-22-145	D1980		Before 11-1993 w/	DRK-217F
	RD-22-145			Original 39 Spline	
	RD-22-145			Input	
	RD-22-145	D1980		Before 11-1993 w/	DRK-4395
	RD-22-145			New 46 Spline	
	RD-22-145			Input	
	RD-22-145	D1980		After 11-1993	DRK-4396
	RD-22-145	F1982		Before 11-1993	DRK-4405
	RD-22-145	F1982		After 11-1993	DRK-4406
	RD-22-145	G1905		Before 11-1993	DRK-4405
	RD-22-145	G1905		After 11-1993	DRK-4406
	RP-22-145	RF-22,000	D1876	Before 11-1993 w/	DRK-217F
	RP-22-145			Original 39 Spline	
	RP-22-145			Input	
	RP-22-145	D1876		Before 11-1993 w/	DRK-4395
	RP-22-145			New 46 Spline	
	RP-22-145			Input	
	RP-22-145	D1876		After 11-1993	DRK-4396
	RP-22-145	E1877		Before 11-1993	DRK-4405
	RP-22-145	E1877		After 11-1993	DRK-4406
	RP-22-145	H1906		Before 11-1993	DRK-4405
	RP-22-145	H1906		After 11-1993	DRK-4406
	RP-22-145	J1986		Before 11-1993 w/	DRK-217F
	RP-22-145			Original 39 Spline	
	RP-22-145			Input	
	RP-22-145	J1986		Before 11-1993 w/	DRK-4395
	RP-22-145			New 46 Spline	
	RP-22-145			Input	
	RP-22-145	J1986		After 11-1993	DRK-4396
	RP-22-145	M1911		Before 11-1993	DRK-4405
	RP-22-145	M1911		After 11-1993	DRK-4406
	RP-22-145	P1914		Before 11-1993 w/	DRK-217F
	RP-22-145			Original 39 Spline	
	RP-22-145			Input	

140, 141, 143, 144 & 145 Series Tandem Axles

Axle Model	Sub Model	Type/ Cap.#	Carriers	Notes	Kit
	RP-22-145		P1914	Before 11-1993 w/	DRK-4395
	RP-22-145			New 46 Spline	
	RP-22-145			Input	
	RP-22-145	P1914		After 11-1993	DRK-4396
	RP-22-145	T1918		Before 11-1993	DRK-4405
	RP-22-145	T1918		After 11-1993	DRK-4406
	RR-22-145	RR-22,000	A1873		DRK-217R
	RR-22-145		F1904		DRK-4390

160, 161 & 164 Series Single Axles

Axle Model	Sub Model	Type/ Cap.#	Carriers	Notes	Kit
RC-23-160		R-23,000	A1821		DRK-4426
			C1511		DRK-4415
			C1823		DRK-4428
			D1928		DRK-4428
			E1825		DRK-4428
			E1929		DRK-4428
			H1854		DRK-4426
			J1856		DRK-4426
			P1706		DRK-4426
			R1708		DRK-4428
			T1658		DRK-4415
			T1892		DRK-4428
			V1660		DRK-4415
			V1712		DRK-4428
			Y1897		DRK-4428
			Z1560		DRK-4415
RS-20-160		R-20,000	A1821		DRK-4426
			C1511		DRK-4415
			C1823		DRK-4428
			D1928		DRK-4428
			E1825		DRK-4428
			E1929		DRK-4428
			H1854		DRK-4426
			J1856		DRK-4426
			P1706		DRK-4426
			R1708		DRK-4428
			T1658		DRK-4415
			T1892		DRK-4428
			V1660		DRK-4415
			V1712		DRK-4428
			Y1897		DRK-4428
			Z1560		DRK-4415
RS-21-160		R-21,000	A1821		DRK-4426
			C1511		DRK-4415
			C1823		DRK-4428
			D1928		DRK-4428
			E1825		DRK-4428
			E1929		DRK-4428
			H1854		DRK-4426
			J1856		DRK-4426
			P1706		DRK-4426
			R1708		DRK-4428
			T1658		DRK-4415
			T1892		DRK-4428
			V1660		DRK-4415
			V1712		DRK-4428
			Y1897		DRK-4428
			Z1560		DRK-4415
RS-23-160		R-23,000	A1821		DRK-4426
			C1511		DRK-4415

Heavy Duty Differential Index

160, 161 & 164 Series Single Axles					
Axle Model	Sub Model	Type/ Cap.#	Carriers	Notes	Kit
RS-23-160			C1823		DRK-4428
			D1928		DRK-4428
			E1825		DRK-4428
			E1929		DRK-4428
			H1854		DRK-4426
			J1856		DRK-4426
			P1706		DRK-4426
			R1708		DRK-4428
			T1658		DRK-4415
			T1892		DRK-4428
			V1660		DRK-4415
			V1712		DRK-4428
			Y1897		DRK-4428
			Z1560		DRK-4415
	RS-23-161	R-23,000	A1821		
C1511					DRK-4415
C1823					DRK-4428
D1928					DRK-4428
E1825					DRK-4428
E1929					DRK-4428
H1854					DRK-4426
J1856					DRK-4426
P1706					DRK-4426
R1708					DRK-4428
T1658					DRK-4415
T1892					DRK-4428
V1660					DRK-4415
V1712					DRK-4428
Y1897					DRK-4428
Z1560			DRK-4415		
RS-24-160	R-24,000	A1821			DRK-4426
		C1511			DRK-4415
		C1823			DRK-4428
		D1928			DRK-4428
		E1825			DRK-4428
		E1929			DRK-4428
		H1854			DRK-4426
		J1856			DRK-4426
		P1706			DRK-4426
		R1708			DRK-4428
		T1658			DRK-4415
		T1892			DRK-4428
		V1660			DRK-4415
		V1712			DRK-4428
		Y1897			DRK-4428
Z1560			DRK-4415		
RS-25-160	R-25,000	A1821			DRK-4426
		C1511			DRK-4415
		C1823			DRK-4428
		D1928			DRK-4428
		E1825			DRK-4428
		E1929			DRK-4428
		H1854			DRK-4426
		J1856			DRK-4426
		P1706			DRK-4426
		R1708			DRK-4428
		T1658			DRK-4415
		T1892			DRK-4428
		V1660			DRK-4415
		V1712			DRK-4428
		Y1897			DRK-4428
Z1560			DRK-4415		
RS-26-160	R-26,000	A1821			DRK-4426

160, 161 & 164 Series Single Axles					
Axle Model	Sub Model	Type/ Cap.#	Carriers	Notes	Kit
RS-26-160			C1511		DRK-4415
			C1823		DRK-4428
			D1928		DRK-4428
			E1825		DRK-4428
			E1929		DRK-4428
			H1854		DRK-4426
			J1856		DRK-4426
			P1706		DRK-4426
			R1708		DRK-4428
			T1658		DRK-4415
			T1892		DRK-4428
			V1660		DRK-4415
			V1712		DRK-4428
			Y1897		DRK-4428
			Z1560		DRK-4415

160, 161 & 164 Series Tandem Axles							
Axle Model	Sub Model	Type/ Cap.#	Carriers	Notes	Kit		
RT-40-160	RD-20-160	RF-20,000	J1648		DRK-4420		
			J2116		DRK-4422		
			K1857		DRK-4422		
			L2118		DRK-4423		
			M1703		DRK-4422		
			P1628		DRK-4420		
			Q1837		DRK-4422		
			W1713		DRK-4423		
			W1895		DRK-4423		
			X1818		DRK-4422		
	Y1819		DRK-4423				
	RP-20-160	RF-20,000	K1701		DRK-4423		
			K2117		DRK-4423		
			V1894		DRK-4423		
			Z1820		DRK-4423		
			RR-20-160	RR-20,000	A1821		DRK-4426
					C1511		DRK-4415
					C1823		DRK-4428
					D1928		DRK-4428
					E1825		DRK-4428
					E1929		DRK-4428
	H1854				DRK-4426		
	J1856				DRK-4426		
	P1706				DRK-4426		
	R1708				DRK-4428		
RR-20-160	RR-20,000	T1658		DRK-4415			
		T1892		DRK-4428			
		V1660		DRK-4415			
		V1712		DRK-4428			
		Y1897		DRK-4428			
		Z1560		DRK-4415			
		RT-46-160	RD-23-160	RF-23,000	J1648		DRK-4420
					J2116		DRK-4422
					K1857		DRK-4422
					L2118		DRK-4423
M1703					DRK-4422		
P1628					DRK-4420		
Q1837					DRK-4422		
W1713					DRK-4423		
W1895					DRK-4423		
X1818					DRK-4422		
Y1819		DRK-4423					
RP-23-160	RF-23,000	K1701			DRK-4423		

Heavy Duty Differential Index

HD Differential

160, 161 & 164 Series Tandem Axles					
Axle Model	Sub Model	Type/ Cap.#	Carriers	Notes	Kit
RT-46-160	RP-23-160		K2117		DRK-4423
	RP-23-160		V1894		DRK-4423
	RP-23-160		Z1820		DRK-4423
	RR-23-160	RR-23,000	A1821		DRK-4426
	RR-23-160		C1511		DRK-4415
	RR-23-160		C1823		DRK-4428
	RR-23-160		D1928		DRK-4428
	RR-23-160		E1825		DRK-4428
	RR-23-160		E1929		DRK-4428
	RR-23-160		H1854		DRK-4426
	RR-23-160		J1856		DRK-4426
	RR-23-160		P1706		DRK-4426
	RR-23-160		R1708		DRK-4428
	RR-23-160		T1658		DRK-4415
	RR-23-160		T1892		DRK-4428
	RR-23-160		V1660		DRK-4415
	RR-23-160		V1712		DRK-4428
	RR-23-160		Y1897		DRK-4428
	RR-23-160		Z1560		DRK-4415
	RT-46-164	RD-23-164	RF-23,000	J1648	
RD-23-164			J2116		DRK-4422
RD-23-164			K1857		DRK-4422
RD-23-164			L2118		DRK-4423
RD-23-164			M1703		DRK-4422
RD-23-164			P1628		DRK-4420
RD-23-164			Q1837		DRK-4422
RD-23-164			W1713		DRK-4423
RD-23-164			W1895		DRK-4423
RD-23-164			X1818		DRK-4422
RD-23-164			Y1819		DRK-4423
RP-23-164		RF-23,000	K1701		DRK-4423
RP-23-164			K2117		DRK-4423
RP-23-164			V1894		DRK-4423
RP-23-164			Z1820		DRK-4423
RR-23-164		RR-23,000	A1821		DRK-4426
RR-23-164			C1511		DRK-4415
RR-23-164			C1823		DRK-4428
RR-23-164			D1928		DRK-4428
RR-23-164			E1825		DRK-4428
RR-23-164			E1929		DRK-4428
RR-23-164			H1854		DRK-4426
RR-23-164			J1856		DRK-4426
RR-23-164			P1706		DRK-4426
RR-23-164			R1708		DRK-4428
RR-23-164			T1658		DRK-4415
RR-23-164			T1892		DRK-4428
RR-23-164			V1660		DRK-4415
RR-23-164			V1712		DRK-4428
RR-23-164			Y1897		DRK-4428
RR-23-164			Z1560		DRK-4415
RT-50-160		RD-25-160	RF-25,000	J1648	
	RD-25-160		J2116		DRK-4422
	RD-25-160		K1857		DRK-4422
	RD-25-160		L2118		DRK-4423
	RD-25-160		M1703		DRK-4422
	RD-25-160		P1628		DRK-4420
	RD-25-160		Q1837		DRK-4422
	RD-25-160		W1713		DRK-4423
	RD-25-160		W1895		DRK-4423
	RD-25-160		X1818		DRK-4422
	RD-25-160		Y1819		DRK-4423
	RP-25-160	RF-25,000	K1701		DRK-4423
	RP-25-160		K2117		DRK-4423
	RP-25-160		V1894		DRK-4423
	RP-25-160		Z1820		DRK-4423
	RR-25-160	RR-25,000	A1821		DRK-4426
	RR-25-160		C1511		DRK-4415
	RR-25-160		C1823		DRK-4428
	RR-25-160		D1928		DRK-4428
	RR-25-160		E1825		DRK-4428

160, 161 & 164 Series Tandem Axles						
Axle Model	Sub Model	Type/ Cap.#	Carriers	Notes	Kit	
RT-50-160	RP-25-160		V1894		DRK-4423	
	RP-25-160		Z1820		DRK-4423	
	RR-25-160	RR-25,000	A1821		DRK-4426	
	RR-25-160		C1511		DRK-4415	
	RR-25-160		C1823		DRK-4428	
	RR-25-160		D1928		DRK-4428	
	RR-25-160		E1825		DRK-4428	
	RR-25-160		E1929		DRK-4428	
	RR-25-160		H1854		DRK-4426	
	RR-25-160		J1856		DRK-4426	
	RR-25-160		P1706		DRK-4426	
	RR-25-160		R1708		DRK-4428	
	RR-25-160		T1658		DRK-4415	
	RR-25-160		T1892		DRK-4428	
	RR-25-160		V1660		DRK-4415	
	RR-25-160		V1712		DRK-4428	
	RR-25-160		Y1897		DRK-4428	
	RR-25-160		Z1560		DRK-4415	
	RT-50-164	RD-25-164	RF-25,000	J1648		DRK-4420
		RD-25-164		J2116		DRK-4422
RD-25-164			K1857		DRK-4422	
RD-25-164			L2118		DRK-4423	
RD-25-164			M1703		DRK-4422	
RD-25-164			P1628		DRK-4420	
RD-25-164			Q1837		DRK-4422	
RD-25-164			W1713		DRK-4423	
RD-25-164			W1895		DRK-4423	
RD-25-164			X1818		DRK-4422	
RD-25-164			Y1819		DRK-4423	
RP-25-164		RF-25,000	K1701		DRK-4423	
RP-25-164			K2117		DRK-4423	
RP-25-164			V1894		DRK-4423	
RP-25-164			Z1820		DRK-4423	
RR-25-164		RR-25,000	A1821		DRK-4426	
RR-25-164			C1511		DRK-4415	
RR-25-164			C1823		DRK-4428	
RR-25-164			D1928		DRK-4428	
RR-25-164			E1825		DRK-4428	
RR-25-164		E1929		DRK-4428		
RR-25-164		H1854		DRK-4426		
RR-25-164		J1856		DRK-4426		
RR-25-164		P1706		DRK-4426		
RR-25-164		R1708		DRK-4428		
RR-25-164		T1658		DRK-4415		
RR-25-164		T1892		DRK-4428		
RR-25-164		V1660		DRK-4415		
RR-25-164		V1712		DRK-4428		
RR-25-164		Y1897		DRK-4428		
RR-25-164		Z1560		DRK-4415		
RT-52-160	RD-26-160	RF-26,000	J1648		DRK-4420	
	RD-26-160		J2116		DRK-4422	
	RD-26-160		K1857		DRK-4422	
	RD-26-160		L2118		DRK-4423	
	RD-26-160		M1703		DRK-4422	
	RD-26-160		P1628		DRK-4420	
	RD-26-160		Q1837		DRK-4422	
	RD-26-160		W1713		DRK-4423	
	RD-26-160		W1895		DRK-4423	
	RD-26-160		X1818		DRK-4422	
	RD-26-160		Y1819		DRK-4423	
	RP-26-160	RF-26,000	K1701		DRK-4423	
RP-26-160		K2117		DRK-4423		
RP-26-160		V1894		DRK-4423		

Heavy Duty Differential Index

160, 161 & 164 Series Tandem Axles

Axle Model	Sub Model	Type/ Cap.#	Carriers	Notes	Kit
RT-52-160	RP-26-160		Z1820		DRK-4423
	RR-26-160	RR-26,000	A1821		DRK-4426
	RR-26-160		C1511		DRK-4415
	RR-26-160		C1823		DRK-4428
	RR-26-160		D1928		DRK-4428
	RR-26-160		E1825		DRK-4428
	RR-26-160		E1929		DRK-4428
	RR-26-160		H1854		DRK-4426
	RR-26-160		J1856		DRK-4426
	RR-26-160		P1706		DRK-4426
	RR-26-160		R1708		DRK-4428
	RR-26-160		T1658		DRK-4415
	RR-26-160		T1892		DRK-4428
	RR-26-160		V1660		DRK-4415
	RR-26-160		V1712		DRK-4428
RR-26-160		Y1897		DRK-4428	
RR-26-160		Z1560		DRK-4415	
RT-52-164	RD-26-164	RF-26,000	J1648		DRK-4420
	RD-26-164		J2116		DRK-4422
	RD-26-164		K1857		DRK-4422
	RD-26-164		L2118		DRK-4423
	RD-26-164		M1703		DRK-4422
	RD-26-164		P1628		DRK-4420
	RD-26-164		Q1837		DRK-4422
	RD-26-164		W1713		DRK-4423
	RD-26-164		W1895		DRK-4423
	RD-26-164		X1818		DRK-4422
	RD-26-164		Y1819		DRK-4423
	RP-26-164	RF-26,000	K1701		DRK-4423
	RP-26-164		K2117		DRK-4423
	RP-26-164		V1894		DRK-4423
	RP-26-164		Z1820		DRK-4423
	RR-26-164	RR-26,000	A1821		DRK-4426
	RR-26-164		C1511		DRK-4415
	RR-26-164		C1823		DRK-4428
	RR-26-164		D1928		DRK-4428
	RR-26-164		E1825		DRK-4428
RR-26-164		E1929		DRK-4428	
RR-26-164		H1854		DRK-4426	
RR-26-164		J1856		DRK-4426	
RR-26-164		P1706		DRK-4426	
RR-26-164		R1708		DRK-4428	
RR-26-164		T1658		DRK-4415	
RR-26-164		T1892		DRK-4428	
RR-26-164		V1660		DRK-4415	
RR-26-164		V1712		DRK-4428	
RR-26-164		Y1897		DRK-4428	
RR-26-164		Z1560		DRK-4415	

180, 185, 186 & 380 Series Single Axles

Axle Model	Sub Model	Type/ Cap.#	Carriers	Notes	Kit
RS-23-180		R-23,000	A1899	6.83, 7.17, 7.40 & 7.83 Ratios	DRK-4438
			A1899	All Other Ratios	DRK-4437
			C1381	6.83, 7.17, 7.40 & 7.83 Ratios	DRK-4436
			C1381	All Other Ratios	DRK-4435
			J1804	6.83, 7.17, 7.40 & 7.83 Ratios	DRK-4438
			J1804	All Other Ratios	DRK-4437

180, 185, 186 & 380 Series Single Axles

Axle Model	Sub Model	Type/ Cap.#	Carriers	Notes	Kit
RS-23-185		R-23,000	A1899	6.83, 7.17, 7.40 & 7.83 Ratios	DRK-4438
			A1899	All Other Ratios	DRK-4437
			C1381	6.83, 7.17, 7.40 & 7.83 Ratios	DRK-4436
			C1381	All Other Ratios	DRK-4435
			J1804	6.83, 7.17, 7.40 & 7.83 Ratios	DRK-4438
			J1804	All Other Ratios	DRK-4437
			K1753	6.83, 7.17, 7.40 & 7.83 Ratios	DRK-4436
			K1753	All Other Ratios	DRK-4435
			U1399	6.83, 7.17, 7.40 & 7.83 Ratios	DRK-4436
			U1399	All Other Ratios	DRK-4435
			W1791	6.83, 7.17, 7.40 & 7.83 Ratios	DRK-4438
			W1791	All Other Ratios	DRK-4437
			W1791	All Other Ratios	DRK-4437
			W1791	All Other Ratios	DRK-4437
	RS-23-186		R-23,000	A1899	6.83, 7.17, 7.40 & 7.83 Ratios
			A1899	All Other Ratios	DRK-4437
			C1381	6.83, 7.17, 7.40 & 7.83 Ratios	DRK-4436
RS-23-380		R-23,000	M1833	6.83, 7.17, 7.40 & 7.83 Ratios	DRK-4444
			M1833	All Other Ratios	DRK-4443
			A1899	All Other Ratios	DRK-4437
			C1381	All Other Ratios	DRK-4435
			J1804	6.83, 7.17, 7.40 & 7.83 Ratios	DRK-4438
			J1804	All Other Ratios	DRK-4437
RS-26-180		R-26,000	A1899	6.83, 7.17, 7.40 & 7.83 Ratios	DRK-4438
			A1899	All Other Ratios	DRK-4437
			C1381	All Other Ratios	DRK-4435
RS-26-185		R-26,000	A1899	6.83, 7.17, 7.40 & 7.83 Ratios	DRK-4438
			A1899	All Other Ratios	DRK-4437
			U1399	6.83, 7.17, 7.40 & 7.83 Ratios	DRK-4436
			U1399	All Other Ratios	DRK-4435
			W1791	6.83, 7.17, 7.40 & 7.83 Ratios	DRK-4438
			W1791	All Other Ratios	DRK-4437

Heavy Duty Differential Index



HD Differential

180, 185, 186 & 380 Series Single Axles							
Axle Model	Sub Model	Type/ Cap.#	Carriers	Notes	Kit		
RS-26-185			A1899	All Other Ratios	DRK-4437		
			C1381	All Other Ratios	DRK-4435		
			J1804	6.83, 7.17, 7.40 & 7.83 Ratios	DRK-4438		
			J1804	All Other Ratios	DRK-4437		
			U1399	6.83, 7.17, 7.40 & 7.83 Ratios	DRK-4436		
			U1399	All Other Ratios	DRK-4435		
			W1791	6.83, 7.17, 7.40 & 7.83 Ratios	DRK-4438		
			W1791	All Other Ratios	DRK-4437		
			RS-26-380	R-26,000	M1833	6.83, 7.17, 7.40 & 7.83 Ratios	DRK-4444
					M1833	All Other Ratios	DRK-4443
RS-30-180	R-30,000	A1899	6.83, 7.17, 7.40 & 7.83 Ratios	DRK-4438			
		A1899	All Other Ratios	DRK-4437			
		C1381	6.83, 7.17, 7.40 & 7.83 Ratios	DRK-4436			
		C1381	All Other Ratios	DRK-4435			
		J1804	6.83, 7.17, 7.40 & 7.83 Ratios	DRK-4438			
		J1804	All Other Ratios	DRK-4437			
		K1753	6.83, 7.17, 7.40 & 7.83 Ratios	DRK-4436			
		K1753	All Other Ratios	DRK-4435			
		U1399	6.83, 7.17, 7.40 & 7.83 Ratios	DRK-4436			
		U1399	All Other Ratios	DRK-4435			
W1791	6.83, 7.17, 7.40 & 7.83 Ratios	DRK-4438					
W1791	All Other Ratios	DRK-4437					
RS-30-185	R-30,000	A1899	6.83, 7.17, 7.40 & 7.83 Ratios	DRK-4438			
		A1899	All Other Ratios	DRK-4437			
		C1381	6.83, 7.17, 7.40 & 7.83 Ratios	DRK-4436			
		C1381	All Other Ratios	DRK-4435			
		J1804	6.83, 7.17, 7.40 & 7.83 Ratios	DRK-4438			
		J1804	All Other Ratios	DRK-4437			
		K1753	6.83, 7.17, 7.40 & 7.83 Ratios	DRK-4436			
		K1753	All Other Ratios	DRK-4435			
		U1399	6.83, 7.17, 7.40 & 7.83 Ratios	DRK-4436			
		U1399	All Other Ratios	DRK-4435			
W1791	6.83, 7.17, 7.40 & 7.83 Ratios	DRK-4438					
W1791	All Other Ratios	DRK-4437					
RS-30-380	R-30,000	M1833	6.83, 7.17, 7.40 & 7.83 Ratios	DRK-4444			
		M1833	All Other Ratios	DRK-4443			
RS-38-380	R-38,000	M1833	6.83, 7.17, 7.40 & 7.83 Ratios	DRK-4444			
		M1833	All Other Ratios	DRK-4443			

180, 185 & 380 Series Tandem Axles					
Axle Model	Sub Model	Type/ Cap.#	Carriers	Notes	Kit
RT-48-180	RP-24-180	RF-24,000	M1625	All Ratios	DRK-4440
			M1833	6.83, 7.17, 7.40 & 7.83 Ratios	DRK-4442
			M1833	All Other Ratios	DRK-4441
			A1899	6.83, 7.17, 7.40 & 7.83 Ratios	DRK-4438
			A1899	All Other Ratios	DRK-4437
			C1381	6.83, 7.17, 7.40 & 7.83 Ratios	DRK-4436
			C1381	All Other Ratios	DRK-4435
			J1804	6.83, 7.17, 7.40 & 7.83 Ratios	DRK-4438
			J1804	All Other Ratios	DRK-4437
			J1804	6.83, 7.17, 7.40 & 7.83 Ratios	DRK-4438
			J1804	All Other Ratios	DRK-4437
			U1399	6.83, 7.17, 7.40 & 7.83 Ratios	DRK-4436
			U1399	All Other Ratios	DRK-4435
			W1791	All Other Ratios	DRK-4437
			RT-48-185	RP-24-185	RF-24,000
M1833	6.83, 7.17, 7.40 & 7.83 Ratios	DRK-4442			
M1833	All Other Ratios	DRK-4441			
A1899	6.83, 7.17, 7.40 & 7.83 Ratios	DRK-4438			
A1899	All Other Ratios	DRK-4437			
C1381	6.83, 7.17, 7.40 & 7.83 Ratios	DRK-4436			
C1381	All Other Ratios	DRK-4435			
J1804	6.83, 7.17, 7.40 & 7.83 Ratios	DRK-4438			
J1804	All Other Ratios	DRK-4437			
J1804	6.83, 7.17, 7.40 & 7.83 Ratios	DRK-4438			
J1804	All Other Ratios	DRK-4437			
U1399	6.83, 7.17, 7.40 & 7.83 Ratios	DRK-4436			
U1399	All Other Ratios	DRK-4435			
W1791	All Other Ratios	DRK-4437			
RT-48-380	RP-24-380	RF-24,000			
			M1833	6.83, 7.17, 7.40 & 7.83 Ratios	DRK-4442
			M1833	All Other Ratios	DRK-4441
			M1625	All Ratios	DRK-4450
			M1833	6.83, 7.17, 7.40 & 7.83 Ratios	DRK-4444
			M1833	All Other Ratios	DRK-4443
			M1625	All Ratios	DRK-4440
			M1833	6.83, 7.17, 7.40 & 7.83 Ratios	DRK-4442
			M1833	All Other Ratios	DRK-4441
			A1899	6.83, 7.17, 7.40 & 7.83 Ratios	DRK-4438
			A1899	All Other Ratios	DRK-4437
			C1381	6.83, 7.17, 7.40 & 7.83 Ratios	DRK-4436
			C1381	All Other Ratios	DRK-4435
			J1804	6.83, 7.17, 7.40 & 7.83 Ratios	DRK-4438
			J1804	All Other Ratios	DRK-4437
U1399	6.83, 7.17, 7.40 & 7.83 Ratios	DRK-4436			
U1399	All Other Ratios	DRK-4435			
W1791	All Other Ratios	DRK-4437			
RT-52-180	RP-26-180	RF-26,000	M1625	All Ratios	DRK-4440
			M1833	6.83, 7.17, 7.40 & 7.83 Ratios	DRK-4442
			M1833	All Other Ratios	DRK-4441
			A1899	6.83, 7.17, 7.40 & 7.83 Ratios	DRK-4438
			A1899	All Other Ratios	DRK-4437
			C1381	6.83, 7.17, 7.40 & 7.83 Ratios	DRK-4436
			C1381	All Other Ratios	DRK-4435
			J1804	6.83, 7.17, 7.40 & 7.83 Ratios	DRK-4438
			J1804	All Other Ratios	DRK-4437
			J1804	6.83, 7.17, 7.40 & 7.83 Ratios	DRK-4438
			J1804	All Other Ratios	DRK-4437
			U1399	6.83, 7.17, 7.40 & 7.83 Ratios	DRK-4436
			U1399	All Other Ratios	DRK-4435
			W1791	All Other Ratios	DRK-4437

Heavy Duty Differential Index

180, 185 & 380 Series Tandem Axles

Axle Model	Sub Model	Type/ Cap.#	Carriers	Notes	Kit	
RT-52-180	RR-26-180		W1791	6.83, 7.17, 7.40 & 7.83 Ratios	DRK-4438	
	RR-26-180		W1791	All Other Ratios	DRK-4437	
	RR-26-180		W1791	All Other Ratios	DRK-4437	
RT-52-185	RP-26-185	RF-26,000	M1625	All Ratios	DRK-4440	
	RP-26-185		M1833	6.83, 7.17, 7.40 & 7.83 Ratios	DRK-4442	
	RP-26-185		M1833	All Other Ratios	DRK-4441	
	RR-26-185	RR-26,000	A1899	6.83, 7.17, 7.40 & 7.83 Ratios	DRK-4438	
	RR-26-185		A1899	All Other Ratios	DRK-4437	
	RR-26-185		C1381	6.83, 7.17, 7.40 & 7.83 Ratios	DRK-4436	
	RR-26-185		C1381	All Other Ratios	DRK-4435	
	RR-26-185		J1804	6.83, 7.17, 7.40 & 7.83 Ratios	DRK-4438	
	RR-26-185		J1804	All Other Ratios	DRK-4437	
	RR-26-185		U1399	6.83, 7.17, 7.40 & 7.83 Ratios	DRK-4436	
	RR-26-185		U1399	All Other Ratios	DRK-4435	
	RR-26-185		W1791	6.83, 7.17, 7.40 & 7.83 Ratios	DRK-4438	
	RR-26-185		W1791	All Other Ratios	DRK-4437	
	RT-52-380	RP-26-380	RF-26,000	M1625	All Ratios	DRK-4440
		RP-26-380		M1833	6.83, 7.17, 7.40 & 7.83 Ratios	DRK-4442
		RP-26-380		M1833	All Other Ratios	DRK-4441
		RR-26-380	RR-26,000	M1625	All Ratios	DRK-4450
		RR-26-380		M1833	6.83, 7.17, 7.40 & 7.83 Ratios	DRK-4444
	RT-58-180	RP-29-180	RF-29,000	M1625	All Ratios	DRK-4440
		RP-29-180		M1833	6.83, 7.17, 7.40 & 7.83 Ratios	DRK-4442
		RP-29-180		M1833	All Other Ratios	DRK-4441
		RR-29-180	RR-29,000	A1899	6.83, 7.17, 7.40 & 7.83 Ratios	DRK-4438
RR-29-180			A1899	All Other Ratios	DRK-4437	
RR-29-180			C1381	6.83, 7.17, 7.40 & 7.83 Ratios	DRK-4436	
RR-29-180			C1381	All Other Ratios	DRK-4435	
RR-29-180			J1804	6.83, 7.17, 7.40 & 7.83 Ratios	DRK-4438	
RR-29-180			J1804	All Other Ratios	DRK-4437	
RR-29-180			U1399	6.83, 7.17, 7.40 & 7.83 Ratios	DRK-4436	
RR-29-180			U1399	All Other Ratios	DRK-4435	
RR-29-180			W1791	6.83, 7.17, 7.40 & 7.83 Ratios	DRK-4438	
RR-29-180			W1791	All Other Ratios	DRK-4437	
RT-58-185		RP-29-185	RF-29,000	M1625	All Ratios	DRK-4440
		RP-29-185		M1833	6.83, 7.17, 7.40 & 7.83 Ratios	DRK-4442
		RP-29-185		M1833	All Other Ratios	DRK-4441
RT-70-380		RN-35-380	RF-35,000	M1625	All Ratios	DRK-4440
		RN-35-380		M1833	6.83, 7.17, 7.40 & 7.83 Ratios	DRK-4442
		RN-35-380		M1833	All Other Ratios	DRK-4441
		RP-35-380	RF-35,000	M1625	All Ratios	DRK-4440
	RP-35-380		M1833	6.83, 7.17, 7.40 & 7.83 Ratios	DRK-4442	
	RP-35-380		M1833	All Other Ratios	DRK-4441	
	RR-35-380	RR-34,000	M1625	All Ratios	DRK-4440	
	RR-35-380		M1833	6.83, 7.17, 7.40 & 7.83 Ratios	DRK-4444	
	RR-35-380		M1833	All Other Ratios	DRK-4441	
	RR-35-380		M1833	All Other Ratios	DRK-4441	

180, 185 & 380 Series Tandem Axles

Axle Model	Sub Model	Type/ Cap.#	Carriers	Notes	Kit
RT-70-380	RR-35-380		M1833	All Other Ratios	DRK-4443

210, 220, 224, 230 & 240 Series Single Axles

Axle Model	Sub Model	Type/ Cap.#	Carriers	Notes	Kit
RS-15-210		R-15,000	All		DRK-4360
RS-15-220		R-15,000	All		DRK-216
RS-17-220		R-17,000	All		DRK-216
RS-17-224		R-17,000	All		DRK-216
RS-19-220		R-19,000	All		DRK-216
RS-19-224		R-19,000	All		DRK-216
RS-21-230		R-21,000	All		DRK-225
RS-23-240		R-23,000	All		DRK-4375

720 Series Single Axles

Axle Model	Sub Model	Type/ Cap.#	Carriers	Notes	Kit
RC-26-720		R-26,000	All		DRK-601

Out of Production Double Reduction Axles

Axle Model	Sub Model	Type/ Cap.#	Carriers	Notes	Kit
SFDD4640	FDD		3200C1225		DRK-4260
	FDD		3800F604		DRK-4255
	FDR		3200C1225		DRK-4270
SQDD	FDR		3800F604		DRK-1910
	QDD		3800E473		DRK-4180
	QDD		3800H554		DRK-4180
SRDD	QDR		3800K557		DRK-111R
	RDD	RF-22,000	3200D1226		DRK-4220
	RDD		3800A755		DRK-11FA
	RDD		3800H554		DRK-11FA
	RDR	RR-22,000	3200D1226		DRK-4190
	RDR		3800A755		DRK-11R
	RDR		3800E473		DRK-11R
	RDR		3800H554		DRK-11R
STDD	TDD	RF-25,000	3200D1226		DRK-4220
	TDD		3800D758		DRK-187F
	TDR	RR-25,000	3200D1226		DRK-4190
SUDD	TDR		3800D758		DRK-187R
	UDD	RF-29,000	3200E1227		DRK-204F
	UDD		3800G579		DRK-4245
	UDR	RR-29,000	3800G579		DRK-204R

Out of Production Single Reduction Single Axles

Axle Model	Sub Model	Type/ Cap.#	Carriers	Notes	Kit
59722					DRK-2108
59723					DRK-2108
59733					DRK-2108
C100					DRK-2111
C102					DRK-2111
C103					DRK-2111
D140		R-13,000	A1093	Before 1985	DRK-4290
			A1093	Before 1985	DRK-4295
			A1093	After 1985	DRK-4300
			R1110	After 1985	DRK-4300
F105		R-15,000			DRK-4315
F106		R-15,000			DRK-4315

Heavy Duty Differential Index

HD Differential

Out of Production Single Reduction Single Axles

Axle Model	Sub Model	Type/ Cap.#	Carriers	Notes	Kit
F140		R-15,000			DRK-4310
F145		R-15,000			DRK-4310
F146		R-15,000			DRK-4310
F147		R-15,000			DRK-4310
F149		R-15,000			DRK-4310
H120		R-17,000		3.55 - 4.63 Ratios	DRK-9RC
H140		R-17,000			DRK-1918
H170		R-17,000			DRK-4325
H172		R-17,000			DRK-4330
H173		R-17,000			DRK-4330
L100		R-18,500		3.55 - 4.63 Ratios	DRK-9RC
L100A		R-18,500		3.55 - 4.63 Ratios	DRK-9RC
		R-18,500		Ratios above 4.63	DRK-9RB
L101		R-18,500		3.55 - 4.63 Ratios	DRK-9RC
L110		R-18,500		3.55 - 4.63 Ratios	DRK-9RC
L110A		R-18,500		3.55 - 4.63 Ratios	DRK-9RC
L140		R-18,500			DRK-1926
L145		R-18,500			DRK-1926
L172		R-18,500			DRK-4330
L173		R-18,500			DRK-4330
P174		R-20,000			DRK-4330
PL143		R-18,500			DRK-172R
QT140		R-22,000			DRK-600
QT143		R-22,000			DRK-600
QT145		R-22,000			DRK-600
QT148		R-22,000			DRK-600
R100		R-23,000			DRK-172R
R100A		R-23,000			DRK-172R
R110		R-23,000			DRK-172R
R110A		R-23,000			DRK-172R
R112		R-23,000			DRK-172R
R113		R-23,000			DRK-172R
R114		R-23,000			DRK-172R
R115		R-23,000			DRK-172R
R120		R-23,000			DRK-172R
R140		R-23,000			DRK-172R
R141		R-23,000			DRK-172R
R143		R-23,000			DRK-172R
R155		R-23,000			DRK-172R
R162		R-23,000	A1431		DRK-1984
		R-23,000	C679		DRK-1984
		R-23,000	Z1430		DRK-1984
		R-23,000	Z806		DRK-1984
R164		R-23,000	A1431		DRK-1984
		R-23,000	C679		DRK-1984
		R-23,000	Z1430		DRK-1984
		R-23,000	Z806		DRK-1984
R170		R-23,000		Before 12-1-83 w/ 7.40 Ratio	DRK-4130
		R-23,000		Before 12-1-83 w/o 7.40 Ratio	DRK-50
		R-23,000		After 12-1-83 w/o 7.40 Ratio	DRK-4150
R171		R-23,000			DRK-50A
R173		R-23,000			DRK-50A
R200		R-23,000		Old Style	DRK-1925
		R-23,000		New Style	DRK-1925A
RL170		R-20,000		Before 12-1-83 w/o 7.40 Ratio	DRK-50
RT140		R-23,000			DRK-172R
S162		R-23,000	A1431		DRK-1984

Out of Production Single Reduction Single Axles

Axle Model	Sub Model	Type/ Cap.#	Carriers	Notes	Kit
S162		R-23,000	C679		DRK-1984
		R-23,000	Z1430		DRK-1984
		R-23,000	Z806		DRK-1984
S170		R-26,000		Before 12-1-83 w/ 7.40 Ratio	DRK-4130
		R-26,000		Before 12-1-83 w/o 7.40 Ratio	DRK-50
		R-26,000		After 12-1-83 w/o 7.40 Ratio	DRK-4150
U140		R-23,000			DRK-172R
U240		R-29,000		Old Style	DRK-1925
		R-29,000		New Style	DRK-1925A
U340		R-29,000		Old Style	DRK-1925
		R-29,000		New Style	DRK-1925A
W170		R-36-38,000			DRK-50

Out of Production Single Reduction Tandem Axles

Axle Model	Sub Model	Type/ Cap.#	Carriers	Notes	Kit
SL100	LD100	RF-17,000			DRK-194F
	LR100	RR-17,000			DRK-194RB
SL100P	LP100	RF-17,000			DRK-194F
	LR100	RR-17,000			DRK-194RB
SLHD	LHD	RF-17,000		w/ 30mm Pinion Nose Brg. & 3.55-4.63 Ratios	DRK-9F
	LHD			w/ 35mm Pinion Nose Brg. & 3.55-4.63 Ratios	DRK-900F
	LHD			w/ 30mm Pinion Nose Brg. & 3.55-4.63 Ratios	DRK-9R
	LHR	RR-17,000		w/ 30mm Pinion Nose Brg. & 3.55-4.63 Ratios	DRK-9RC
	LHR			w/ 35mm Pinion Nose Brg. & 3.55-4.63 Ratios	DRK-9RC
	LHR			w/ 30mm Pinion Nose Brg. & 3.55-4.63 Ratios	DRK-9RC
SQ100	QD100	RF-20,000			DRK-194F
	QR100	RR-20,000			DRK-194RB
SQ100P	QP100	RF-20,000			DRK-194F
	QR100	RR-20,000			DRK-194RB
SQHD	QHD	RF-20,000		w/ 30mm Pinion Nose Brg. & 3.55-4.63 Ratios	DRK-9F
	QHD			w/ 35mm Pinion Nose Brg. & 3.55-4.63 Ratios	DRK-900F
	QHD			w/ 30mm Pinion Nose Brg. & 3.55-4.63 Ratios	DRK-9R
	QHR	RR-20,000		w/ 30mm Pinion Nose Brg. & 3.55-4.63 Ratios	DRK-9RC
	QHR			w/ 35mm Pinion Nose Brg. & 3.55-4.63 Ratios	DRK-9RC
SQHP	QAR	RR-20,000		w/ 2" Pinion Tail Brg.	DRK-194R
	QAR			w/ 2.25" Pinion Tail Brg.	DRK-194RA
	QAR				
	QHP	RF-20,000			DRK-194F
SQR100	QRD100	RF-22,000			DRK-194F
	QRR100	RR-22,000			DRK-194RB
SQR100P	QRP100	RF-22,000			DRK-194F
	QRR100	RR-22,000			DRK-194RB
SR170	R170		G1255	7.40 Ratio Only	DRK-4125

Heavy Duty Differential Index

Out of Production Single Reduction Tandem Axles

Axle Model	Sub Model	Type/Cap.#	Carriers	Notes	Kit	
SR170	R170		G1255	All ratios Exc. 7.40	DRK-203F	
	R170		M1625	7.40 Ratio Only	DRK-4145	
	R170		M1625	All ratios Exc. 7.40	DRK-4140	
	R170		X1324	All ratios Exc. 7.40	DRK-4135	
	R170R	RR-24,000		7.40 Ratio Only	DRK-4130	
SR270	R270	RF-24,000	G1255	7.40 Ratio Only	DRK-4125	
	R270		G1255	All ratios Exc. 7.40	DRK-203F	
	R270		J1076	7.40 Ratio Only	DRK-4125	
	R270		J1076	All ratios Exc. 7.40	DRK-203F	
	R270		M1625	7.40 Ratio Only	DRK-4145	
	R270		M1625	All ratios Exc. 7.40	DRK-4140	
	R270		X1324	All ratios Exc. 7.40	DRK-4135	
	R270R	RR-24,000	M1625	7.40 Ratio Only	DRK-4155A	
	R270R		M1625	All ratios Exc. 7.40	DRK-4155	
	SR280	R280	RF-24,000	G1255	7.40 Ratio Only	DRK-4125
R280			G1255	All ratios Exc. 7.40	DRK-203F	
R280			J1076	7.40 Ratio Only	DRK-4125	
R280			J1076	All ratios Exc. 7.40	DRK-203F	
R280			M1625	7.40 Ratio Only	DRK-4145	
R280			M1625	All ratios Exc. 7.40	DRK-4140	
R280			X1324	All ratios Exc. 7.40	DRK-4135	
R280R		RR-24,000	M1625	7.40 Ratio Only	DRK-4155A	
R280R			M1625	All ratios Exc. 7.40	DRK-4155	
SSHD		SHD	RF-23,000		w/ 65mm Ball	DRK-172F
	SHD			Brg. On Input Shaft		
	SHD			w/ 60mm Ball	DRK-172FA	
	SHD			Brg. On Input Shaft		
	SHD			w/ Taper Brg.	DRK-4100	
	SHD			On Input Shaft - Prior 7/1977		
	SHD			w/ Taper Brg.	DRK-172FB	
	SHD			On Input Shaft - After 7/1977		
	SHR	RR-23,000		Before 1-1983	DRK-172R	
	SHR			After 1-1983	DRK-4105	
	SSHP	SHP	RF-23,000		Ball Bearing Input & Output Shaft	DRK-172F
		SHP	RF-23,000		Taper Bearing	DRK-4095
		SHP			Input & Output Shaft w/ Upgraded O/S Seal	
		SHR	RR-23,000		Early Style Seal	DRK-172R
		STHD	THD	RF-25,000		w/ 65mm Ball
	THD				Brg. On Input Shaft	
	THD				w/ 60mm Ball	DRK-172FA
THD				Brg. On Input Shaft		
THD				w/ Taper Brg.	DRK-172FB	
THD				On Input Shaft		
THR	RR-25,000			Early Style Seal	DRK-172R	
SU170	U170		RF-29,000	G1255	7.40 Ratio Only	DRK-4125
	U170			G1255	All ratios Exc. 7.40	DRK-203F
	U170			M1625	7.40 Ratio Only	DRK-4145
	U170		M1625	All ratios Exc. 7.40	DRK-4140	
	U170		X1324	All ratios Exc. 7.40	DRK-4135	
U170R	RR-29,000			7.40 Ratio Only	DRK-4130	
SU270	U270	RF-29,000	G1255	7.40 Ratio Only	DRK-4125	
	U270		G1255	All ratios Exc. 7.40	DRK-203F	
	U270		J1076	7.40 Ratio Only	DRK-4125	
	U270		J1076	All ratios Exc. 7.40	DRK-203F	

Out of Production Single Reduction Tandem Axles

Axle Model	Sub Model	Type/Cap.#	Carriers	Notes	Kit	
SU270	U270		M1625	7.40 Ratio Only	DRK-4145	
	U270		M1625	All ratios Exc. 7.40	DRK-4140	
	U270	RF-29,000	X1324	All ratios Exc. 7.40	DRK-4135	
	U270R	RR-29,000	M1625	7.40 Ratio Only	DRK-4155A	
	U270R		M1625	All ratios Exc. 7.40	DRK-4155	
SU280	U280	RF-29,000	G1255	7.40 Ratio Only	DRK-4125	
	U280		G1255	All ratios Exc. 7.40	DRK-203F	
	U280		J1076	7.40 Ratio Only	DRK-4125	
	U280		J1076	All ratios Exc. 7.40	DRK-203F	
	U280		M1625	7.40 Ratio Only	DRK-4145	
	U280		M1625	All ratios Exc. 7.40	DRK-4140	
	U280		X1324	All ratios Exc. 7.40	DRK-4135	
	U280R	RR-29,000	M1625	7.40 Ratio Only	DRK-4155A	
	U280R		M1625	All ratios Exc. 7.40	DRK-4155	
	SUHD	UHD	RF-29,000		w/ 65mm Ball	DRK-172F
UHD				Brg. On Input Shaft		
UHD				w/ 60mm Ball	DRK-172FA	
UHD				Brg. On Input Shaft		
UHD				w/ Taper Brg.	DRK-172FB	
UHD				On Input Shaft		
UHR		RR-29,000		Early Style Seal	DRK-172R	
SW170		W170	RF-35,000	G1255	7.40 Ratio Only	DRK-4125
		W170		G1255	All ratios Exc. 7.40	DRK-203F
		W170		J1076	7.40 Ratio Only	DRK-4125
	W170	RF-35,000	J1076	All ratios Exc. 7.40	DRK-203F	
	W170		M1625	7.40 Ratio Only	DRK-4145	
	W170		M1625	All ratios Exc. 7.40	DRK-4140	
	W170		X1324	All ratios Exc. 7.40	DRK-4135	
	W170R	RR-34,000		7.40 Ratio Only	DRK-4130	
	SW270	W270	RF-35,000	G1255	7.40 Ratio Only	DRK-4125
		W270		G1255	All ratios Exc. 7.40	DRK-203F
W270			J1076	7.40 Ratio Only	DRK-4125	
W270			J1076	All ratios Exc. 7.40	DRK-203F	
W270			M1625	7.40 Ratio Only	DRK-4145	
W270			M1625	All ratios Exc. 7.40	DRK-4140	
W270			X1324	All ratios Exc. 7.40	DRK-4135	
W270R		RR-34,000	M1625	7.40 Ratio Only	DRK-4155A	
W270R			M1625	All ratios Exc. 7.40	DRK-4155	
SW280		W280	RF-35,000	G1255	7.40 Ratio Only	DRK-4125
	W280		G1255	All ratios Exc. 7.40	DRK-203F	
	W280		J1076	7.40 Ratio Only	DRK-4125	
	W280		J1076	All ratios Exc. 7.40	DRK-203F	
	W280		M1625	7.40 Ratio Only	DRK-4145	
	W280		M1625	All ratios Exc. 7.40	DRK-4140	
	W280		X1324	All ratios Exc. 7.40	DRK-4135	
	W280R	RR-34,000	M1625	7.40 Ratio Only	DRK-4155A	
	W280R		M1625	All ratios Exc. 7.40	DRK-4155	

Volvo Index

Axle Model	Type/Cap.	Comments	Kit
EV-80	Front		DRK-801
	Rear		DRK-802
EV-87	Front		DRK-801
	Rear		DRK-802

White Index

Axle Model	Type/Cap.	Comments	Kit
124C	R-21,000		DRK-111
134C	R-23,000		DRK-111

Differential Rebuild Kits

HD Differential

DRK-1		
Position	Part Number	Qty
Differential Right Brg.	497-493	1
Differential Left Brg.	56425-56650	1
Pinion Head Brg.	55200C-55437	1
Pinion Tail Brg.	55200C-55437	1
Pinion Nose Brg.	MUSB1307UM	1
Electric Shift Brg.	200SL •	1
Pinion Seal	DT7721 (2.625x4.654)	1
Sealer	RTV Silicone	1

DRK-1A		
Position	Part Number	Qty
Differential Right Brg.	497-493	1
Differential Left Brg.	567-563	1
Pinion Head Brg.	55200C-55437	1
Pinion Tail Brg.	55200C-55437	1
Pinion Nose Brg.	MUSB1307UM	1
Pinion Seal	DT7721 (2.625x4.654)	1
Sealer	RTV Silicone	1

DRK-9F		
Position	Part Number	Qty
Differential Right Brg.	496-493	1
Differential Left Brg.	496-493	1
Pinion Head Brg.	72200C-72487	1
Pinion Tail Brg.	72200C-72487	1
Pinion Nose Brg.	MU1306TDM	1
Drive Gear Front Brg.	29675-29630	1
Drive Gear Rear Brg.	29675-29630	1
Idler Gear Brg.	31597-31520	2
Input Shaft Brg.	211B	1
Thrushaft Brg.	209 •	1
Pinion Seal	35949N (2.937x3.937)	1
Thrushaft Seal	475322N (2.750x3.543)	1
Sealer	RTV Silicone	1

DRK-9R		
Position	Part Number	Qty
Differential Right Brg.	496-493	1
Differential Left Brg.	496-493	1
Pinion Head Brg.	72200C-72487	1
Pinion Tail Brg.	72188C-72487	1
Pinion Nose Brg.	MU1306TDM	1
Pinion Seal	35009N (2.750x3.876)	1
Sealer	RTV Silicone	1

DRK-9RB		
Position	Part Number	Qty
Differential Right Brg.	496-493	1
Differential Left Brg.	496-493	1
Pinion Head Brg.	72200C-72487	1
Pinion Tail Brg.	72188C-72487	1
Pinion Nose Brg.	RU1570UM	1
Pinion Seal	35009N (2.750x3.876)	1
Sealer	RTV Silicone	1

DRK-9RC		
Position	Part Number	Qty
Differential Right Brg.	496-493	1
Differential Left Brg.	497-493	1
Pinion Head Brg.	72200C-72487	1
Pinion Tail Brg.	72188C-72487	1
Pinion Nose Brg.	RU1570UM	1
Pinion Seal	35009N (2.750x3.876)	1
Sealer	RTV Silicone	1

DRK-11FA		
Position	Part Number	Qty
Differential Right Brg.	581-572	1
Differential Left Brg.	581-572	1
Pinion Head Brg.	42350-42584	1
Pinion Tail Brg.	497-493	1
Pinion Nose Brg.	MR1212EL	1
Cross Shaft Right Brg.	66225-66462	2
Cross Shaft Left Brg.	MU1218TDHDM	1
Cross Shaft Left Brg.	5212W	1
Thrushaft Brg.	212	1
Input Shaft Seal	415086N (3.000x4.249)	1
Thrushaft Seal	415086N (3.000x4.249)	1
Sealer	RTV Silicone	1

DRK-11R		
Position	Part Number	Qty
Differential Right Brg.	581-572	1
Differential Left Brg.	581-572	1
Pinion Head Brg.	42350-42584	1
Pinion Tail Brg.	497-493	1
Pinion Nose Brg.	MR1212EL	1
Cross Shaft Right Brg.	66225-66462	2
Cross Shaft Left Brg.	MU1218TDHDM	1
Pinion Seal	3592 (3.000x5.501)	1
Pinion Seal	475012N (3.937x4.003)	1
Sealer	RTV Silicone	1

DRK-18D		
Position	Part Number	Qty
Differential Right Brg.	42381-42584	1
Differential Left Brg.	665-653	1
Pinion Head Brg.	78215C-78551	1
Pinion Tail Brg.	72212C-72487	1
Pinion Nose Brg.	MU1309UGM	1
Pinion Seal	712937 (2.937x4.939)	1
Sealer	RTV Silicone	1

DRK-18E		
Position	Part Number	Qty
Differential Right Brg.	42381-42584	1
Differential Left Brg.	665-653	1
Pinion Head Brg.	78215C-78551 ¹	1
Pinion Tail Brg.	72212C-72487	1
Pinion Nose Brg.	MUB1308UM	1
Pinion Seal	712937 (2.937x4.939)	1
Sealer	RTV Silicone	1

DRK-23		
Position	Part Number	Qty
Differential Right Brg.	495A-493	1
Differential Left Brg.	42381-42584	1
Pinion Head Brg.	HM903249-HM903210	1
Pinion Tail Brg.	HM903249-HM903210	1
Pinion Nose Brg.	MUSB1307UM	1
Electric Shift Brg.	200SL •	1
Pinion Seal	712375 (2.375x4.064)	1
Pinion Seal	712625 (2.625x4.064)	1
Sealer	RTV Silicone	1

DRK-23B		
Position	Part Number	Qty
Differential Right Brg.	3994-3920	1
Differential Left Brg.	567-563	1
Pinion Head Brg.	HM903249-HM903210	1
Pinion Tail Brg.	HM903249-HM903210	1
Pinion Nose Brg.	MUSB1307UM	1
Pinion Seal	712375 (2.375x4.064)	1
Pinion Seal	712625 (2.625x4.064)	1
Sealer	RTV Silicone	1

DRK-23D		
Position	Part Number	Qty
Differential Right Brg.	495A-493	1
Differential Left Brg.	42381-42584	1
Pinion Head Brg.	55175C-55437	1
Pinion Tail Brg.	55175C-55437	1
Pinion Nose Brg.	MUSB1307UM	1
Electric Shift Brg.	200SL •	1
Pinion Seal	475095N (2.375x3.500)	1
Pinion Seal	9773 (2.625x4.564)	1
Sealer	RTV Silicone	1

DRK-24		
Position	Part Number	Qty
Differential Right Brg.	33275-33472	1
Differential Left Brg.	498-493 ²⁵	1
Pinion Head Brg.	HM903249-HM903210	1
Pinion Tail Brg.	HM903249-HM903210	1
Pinion Nose Brg.	MU1305TDM	1
Electric Shift Brg.	200SL •	1
Pinion Seal	470737N (2.250x3.189)	1
Pinion Seal	722250 (2.250x4.064)	1
Pinion Seal	712625 (2.625x4.064)	1
Sealer	RTV Silicone	1

DRK-50		
Position	Part Number	Qty
Differential Right Brg.	598-592A	1
Differential Left Brg.	52387-52618	1
Pinion Head Brg.	H715343-H715311	1
Pinion Tail Brg.	H715334-H715311	1
Pinion Nose Brg.	MUB1309TDM	1
Pinion Seal	415086N (3.000x4.249)	1
Sealer	RTV Silicone	1

DRK-50A		
Position	Part Number	Qty
Differential Right Brg.	598-592A	1
Differential Left Brg.	52387-52618	1
Pinion Head Brg.	H715343-H715311	1
Pinion Tail Brg.	HM813843-HM813810	1
Pinion Nose Brg.	MUB1309TDM	1
Pinion Seal	415086N (3.000x4.249)	1
Sealer	RTV Silicone	1

DRK-64F		
Position	Part Number	Qty
Differential Right Brg.	56425-56650	1
Differential Left Brg.	497-493	1
Pinion Head Brg.	72200C-72487	1
Pinion Tail Brg.	72200C-72487	1
Pinion Nose Brg.	MUSB1307UM	1
Input Shaft Front Brg.	311	1
Output Shaft Front Brg.	34274-34492A	1
Output Shaft Rear Brg.	MA1209EL	1
Input Shaft Seal	DT7720 (2.625x3.623)	1
Thrushaft Seal	DT7720 (2.625x3.623)	1
Felt Seal	5M867 (654) •	1
Sealer	RTV Silicone	1

DRK-64FC		
Position	Part Number	Qty
Differential Right Brg.	567-563	1
Differential Left Brg.	497-493	1
Pinion Head Brg.	72200C-72487	1
Pinion Tail Brg.	72200C-72487	1
Pinion Nose Brg.	MUSB1307UM	1
Input Shaft Front Brg.	311	1
Output Shaft Front Brg.	34274-34492A	1
Output Shaft Rear Brg.	MA1209EL	1
Input Shaft Seal	DT7720 (2.625x3.623)	1
Thrushaft Seal	DT7720 (2.625x3.623)	1
Felt Seal	5M867 (654) •	1
Sealer	RTV Silicone	1

¹with GMC (1984 & later) use 72212C-72487

²⁵with GMC (1986-1987) use 3994-3920

• Not packed in kit

Differential Rebuild Kits

HD Differential

DRK-64FD		
Position	Part Number	Qty
Differential Right Brg.	567-563	1
Differential Left Brg.	497-493	1
Pinion Head Brg.	72200C-72487	1
Pinion Tail Brg.	72200C-72487	1
Pinion Nose Brg.	MUSB1307UM	1
Input Shaft Front Brg.	JM207049-JM207010	1
Output Shaft Front Brg.	34274-34492A	1
Output Shaft Rear Brg.	MA1209EL	1
Input Shaft Seal	DT7720 (2.625x3.623)	1
Thrushaft Seal	DT7720 (2.625x3.623)	1
Felt Seal	5M867 (654) •	1
Sealer	RTV Silicone	1

DRK-64FE		
Position	Part Number	Qty
Differential Right Brg.	56425-56650	1
Differential Left Brg.	497-493	1
Pinion Head Brg.	72200C-72487	1
Pinion Tail Brg.	72200C-72487	1
Pinion Nose Brg.	MUSB1307UM	1
Input Shaft Front Brg.	JM207049-JM207010	1
Output Shaft Front Brg.	34274-34492A	1
Output Shaft Rear Brg.	MA1209EL	1
Input Shaft Seal	DT7720 (2.625x3.623)	1
Thrushaft Seal	DT7720 (2.625x3.623)	1
Felt Seal	5M867 (654) •	1
Sealer	RTV Silicone	1

DRK-72		
Position	Part Number	Qty
Differential Right Brg.	42346-42584	1
Differential Left Brg.	68450-68712 ²	1
Pinion Head Brg.	72212C-72487	1
Pinion Tail Brg.	72212C-72487	1
Pinion Nose Brg.	MUB1308UM	1
Electric Shift Brg.	200SL •	1
Pinion Seal	475003N (2.625x3.623)	1
Felt Seal	5M867 (654) •	1
Sealer	RTV Silicone	1

DRK-72A		
Position	Part Number	Qty
Differential Right Brg.	42346-42584	1
Differential Left Brg.	68450-68712	1
Pinion Head Brg.	78215C-78551	1
Pinion Tail Brg.	72212C-72487	1
Pinion Nose Brg.	MUB1308UM	1
Pinion Seal	712937 (2.937x4.939)	1
Sealer	RTV Silicone	1

DRK-72B		
Position	Part Number	Qty
Differential Right Brg.	42346-42584	1
Differential Left Brg.	68462-68712	1
Pinion Head Brg.	78215C-78551	1
Pinion Tail Brg.	72212C-72487	1
Pinion Nose Brg.	MUB1308UM	1
Pinion Seal	712937 (2.937x4.939)	1
Sealer	RTV Silicone	1

DRK-111		
Position	Part Number	Qty
Differential Right Brg.	685-672	1
Differential Left Brg.	685-672	1
Pinion Head Brg.	H913842-H913810	1
Pinion Tail Brg.	HM911245-HM911210	1
Pinion Nose Brg.	MUC1309UM	1
Pinion Seal	416470N (3.250x4.249)	1
Sealer	RTV Silicone	1

DRK-117		
Position	Part Number	Qty
Differential Right Brg.	598A-592A	1
Differential Left Brg.	598A-592A	1
Pinion Head Brg.	H715340-H715310	1
Pinion Tail Brg.	65212-65500	1
Cross Shaft Right Brg.	6379-6320	1
Cross Shaft Left Brg.	6379-6320	1
Pinion Seal	35009N (2.750x3.876)	1
Pinion Seal	476283N (2.750x4.249)	1
O-Ring	OR250	1
O-Ring	OR262	1
Sealer	RTV Silicone	1

DRK-117A		
Position	Part Number	Qty
Differential Right Brg.	598-592A	1
Differential Left Brg.	598-592A	1
Pinion Head Brg.	H715340-H715310	1
Pinion Tail Brg.	65212-65500	1
Cross Shaft Right Brg.	6379-6320	1
Cross Shaft Left Brg.	6379-6320	1
Pinion Seal	35009N (2.750x3.876)	1
O-Ring	OR250	1
O-Ring	OR262	1
Sealer	RTV Silicone	1

DRK-170		
Position	Part Number	Qty
Differential Right Brg.	33287-33472	1
Differential Left Brg.	42381-42584	1
Pinion Head Brg.	55200C-55437	1
Pinion Tail Brg.	HM804848-HM804810	1
Pinion Nose Brg.	M5305TV	1
Electric Shift Brg.	200SL •	1
Pinion Seal	712598 (2.598x3.999)	1
Shift Rod Seal	50419 •	1
Sealer	RTV Silicone	1

DRK-172F		
Position	Part Number	Qty
Differential Right Brg.	47890-47820	1
Differential Left Brg.	47890-47820	1
Pinion Head Brg.	H715343-H715311	1
Pinion Tail Brg.	65237-65500	1
Drive Gear Front Brg.	MU1015DCV	1
Input Shaft Brg.	313	1
Thrushaft Brg.	210	1
Input Shaft Seal	415086N (3.000x4.249)	1
Thrushaft Seal	475322N (2.750x3.543)	1
Sealer	RTV Silicone	1

DRK-172FA		
Position	Part Number	Qty
Differential Right Brg.	47890-47820	1
Differential Left Brg.	47890-47820	1
Pinion Head Brg.	H715343-H715311	1
Pinion Tail Brg.	65237-65500	1
Drive Gear Front Brg.	MU1015DCV	1
Input Shaft Brg.	313A	1
Thrushaft Brg.	210	1
Input Shaft Seal	415086N (3.000x4.249)	1
Thrushaft Seal	475322N (2.750x3.543)	1
Sealer	RTV Silicone	1

DRK-172FB		
Position	Part Number	Qty
Differential Right Brg.	47890-47820	1
Differential Left Brg.	47890-47820	1
Pinion Head Brg.	H715343-H715311	1
Pinion Tail Brg.	65237-65500	1
Inter Differential Brg.	JLM714149-JLM714110	1
Input Shaft Brg.	JH211749-JH211710	1
Thrushaft Brg.	LM104949-JLM104910	2
Input Shaft Seal	416470N (3.250x4.249)	1
Thrushaft Seal	475322N (2.750x3.543)	1
Sealer	RTV Silicone	1

DRK-172R		
Position	Part Number	Qty
Differential Right Brg.	47890-47820	1
Differential Left Brg.	47890-47820	1
Pinion Head Brg.	H715343-H715311	1
Pinion Tail Brg.	H715334-H715311	1
Pinion Nose Brg.	MU1308UM	1
Pinion Seal	3591 (2.750x5.501)	1
Pinion Seal	35009N (2.750x3.876) •	1
Sealer	RTV Silicone	1

DRK-187F		
Position	Part Number	Qty
Differential Right Brg.	HM516449C-HM516410	1
Differential Left Brg.	HM516449C-HM516410	1
Pinion Head Brg.	42350-42584	1
Pinion Tail Brg.	497-493	1
Pinion Nose Brg.	MR1212EL	1
Cross Shaft Right Brg.	66225-66462	2
Cross Shaft Left Brg.	MU1218TDHM	1
Input Shaft Brg.	387A-382A	2
Thrushaft Brg.	212	1
Input Shaft Seal	3592 (3.000x5.501)	1
Thrushaft Seal	415086N (3.000x4.249)	2
Sealer	RTV Silicone	1

DRK-187R		
Position	Part Number	Qty
Differential Right Brg.	HM516449C-HM516410	1
Differential Left Brg.	HM516449C-HM516410	1
Pinion Head Brg.	42350-42584	1
Pinion Tail Brg.	497-493	1
Pinion Nose Brg.	MR1212EL	1
Cross Shaft Right Brg.	66225-66462	2
Cross Shaft Left Brg.	MU1218TDHM	1
Input Shaft Seal	3592 (3.000x5.501)	1
Thrushaft Seal	415013N (3.000x4.003)	1
Sealer	RTV Silicone	1

DRK-191F		
Position	Part Number	Qty
Differential Right Brg.	3984-3925	1
Differential Left Brg.	3984-3925	1
Pinion Head Brg.	55175C-55437	1
Pinion Tail Brg.	55175C-55437	1
Pinion Nose Brg.	MUB5206UM	1
Idler Gear Brg.	25877-25821	2
Thrust Brg. Race	W2840	1
Thrust Brg. Race	TRA2840	2
Input Shaft Brg.	122L	1
Output Shaft Brg.	210	1
Drive Gear Brg.	213SL	1
Input Shaft Brg.	310B	1
Input Shaft Seal	415281N (3.000x3.751)	1
Thrushaft Seal	415147N (2.500x3.500)	1
Sealer	RTV Silicone	1

DRK-191R		
Position	Part Number	Qty
Differential Right Brg.	3984-3925	1
Differential Left Brg.	3984-3925	1
Pinion Head Brg.	55175C-55437	1
Pinion Tail Brg.	55175C-55437	1
Pinion Nose Brg.	MUB5206UM	1
Pinion Seal	714512 (2.375x4.498)	1
Sealer	RTV Silicone	1

²Use 68450 Cone with 27950 Case; use 68462 Cone with 103537 Case

• Not packed in kit

Differential Rebuild Kits



HD Differential

DRK-192FB		
Position	Part Number	Qty
Differential Right Brg.	47890-47820	1
Differential Left Brg.	47890-47820	1
Pinion Head Brg.	72225C-72487	1
Pinion Tail Brg.	72225C-72487	1
Pinion Nose Brg.	MUB1307UM	1
Idler Gear Brg.	25877-25821	2
Thrust Brg. Race	W2840	1
Thrust Brg. Race	TRA2840	2
Input Shaft Brg.	122L	1
Output Shaft Brg.	210	1
Driveshaft Brg.	L610549-L610510	2
Input Shaft Brg.	310B	1
Input Shaft Seal	415281N (3.000x3.751)	1
Thrushaft Seal	415147N (2.500x3.500)	1
Sealer	RTV Silicone	1

DRK-192FC		
Position	Part Number	Qty
Differential Right Brg.	47890-47820	1
Differential Left Brg.	47890-47820	1
Pinion Head Brg.	78225C-78551	1
Pinion Tail Brg.	78225C-78551	1
Pinion Nose Brg.	MUB1307UM	1
Idler Gear Brg.	25877-25821	2
Input Shaft Brg.	122SL	1
Output Shaft Brg.	210	1
Input Shaft Brg.	310B	1
Driveshaft Brg.	L610549-L610510	2
Input Shaft Seal	415281N (3.000x3.751)	1
Thrushaft Seal	415147N (2.500x3.500)	1
Sealer	RTV Silicone	1

DRK-192R		
Position	Part Number	Qty
Differential Right Brg.	47890-47820	1
Differential Left Brg.	47890-47820	1
Pinion Head Brg.	72225C-72487	1
Pinion Tail Brg.	72225C-72487	1
Pinion Nose Brg.	MUB1307UM	1
Pinion Seal	415013N (3.000x4.003)	1
Pinion Seal	415147N (2.500x3.500)	1
Sealer	RTV Silicone	1

DRK-192RA		
Position	Part Number	Qty
Differential Right Brg.	47890-47820	1
Differential Left Brg.	47890-47820	1
Pinion Head Brg.	78225C-78551	1
Pinion Tail Brg.	78225C-78551	1
Pinion Nose Brg.	MUB1307UM	1
Pinion Seal	415013N (3.000x4.003)	1
Pinion Seal	415147N (2.500x3.500)	1
Sealer	RTV Silicone	1

DRK-192RB		
Position	Part Number	Qty
Differential Right Brg.	47890-47820	1
Differential Left Brg.	47890-47820	1
Pinion Head Brg.	72225C-72487	1
Pinion Tail Brg.	72225C-72487	1
Pinion Nose Brg.	MUB1307UM	1
Pinion Seal	DTHH102 (3.000x5.751)	1
Sealer	RTV Silicone	1

DRK-193		
Position	Part Number	Qty
Differential Right Brg.	56425-56650	1
Differential Left Brg.	497-493	1
Pinion Head Brg.	72218C-72487 ³	1
Pinion Tail Brg.	72200C-72487	1
Pinion Nose Brg.	MUSB1307UM	1
Input Shaft Brg.	JH307749-JH307710	1
Output Shaft Front Brg.	34274-34492A	1
Output Shaft Rear Brg.	MA1209EL	1
Input Shaft Seal	DT7719 (2.937x4.003)	1
Thrushaft Seal	DT7720 (2.625x3.623)	1
Sealer	RTV Silicone	1

DRK-193A		
Position	Part Number	Qty
Differential Right Brg.	567-563	1
Differential Left Brg.	497-493	1
Pinion Head Brg.	72218C-72487 ³	1
Pinion Tail Brg.	72200C-72487	1
Pinion Nose Brg.	MUSB1307UM	1
Input Shaft Front Brg.	JH307749-JH307710	1
Output Shaft Front Brg.	34274-34492A	1
Output Shaft Rear Brg.	MA1209EL	1
Input Shaft Seal	DT7719 (2.937x4.003)	1
Thrushaft Seal	DT7720 (2.625x3.623)	1
Sealer	RTV Silicone	1

DRK-194F		
Position	Part Number	Qty
Differential Right Brg.	JM716649-JM716610	1
Differential Left Brg.	JM716649-JM716610	1
Pinion Head Brg.	72212C-72487	1
Pinion Tail Brg.	72212C-72487	1
Pinion Nose Brg.	RU1570UM	1
Input Shaft Front Brg.	JM511946-JM511910	1
Input Shaft Rear Brg.	JLM710949-JLM710910	1
Thrushaft Brg.	LM603049-LM603011 •	2
Input Shaft Seal	DTP2590 (3.000x3.750) ⁵⁷	1
Thrushaft Seal	4561V (2.503x3.428)	1
Sealer	RTV Silicone	1

DRK-194R		
Position	Part Number	Qty
Differential Right Brg.	JM716649-JM716610	1
Differential Left Brg.	JM716649-JM716610	1
Pinion Head Brg.	65237-65500	1
Pinion Tail Brg.	72201C-72487	1
Pinion Seal	5603 (2.375x4.938)	1
Sealer	RTV Silicone	1

DRK-194RA		
Position	Part Number	Qty
Differential Right Brg.	JM716649-JM716610	1
Differential Left Brg.	JM716649-JM716610	1
Pinion Head Brg.	65237-65500	1
Pinion Tail Brg.	72225C-72487	1
Pinion Seal	3905 (3.000x4.938)	1
Sealer	RTV Silicone	1

DRK-194RB		
Position	Part Number	Qty
Differential Right Brg.	JM716649-JM716610	1
Differential Left Brg.	JM716649-JM716610	1
Pinion Head Brg.	72212C-72487	1
Pinion Tail Brg.	72212C-72487	1
Pinion Nose Brg.	RU1570UM	1
Pinion Seal	3905 (3.000x4.938)	1
Sealer	RTV Silicone	1

DRK-195		
Position	Part Number	Qty
Differential Right Brg.	28584-28521	1
Differential Left Brg.	28584-28521	1
Pinion Head Brg.	27881-27820	1
Pinion Tail Brg.	27880-27820	1
Pinion Nose Brg.	MUB5204TM	1
Pinion Seal	410085N (2.000x2.996)	1
Pinion Seal	710007 (20136)	1
Felt Seal	5M293 (573)	1
Sealer	RTV Silicone	1

DRK-196		
Position	Part Number	Qty
Differential Right Brg.	567-563	1
Differential Left Brg.	497-493	1
Pinion Head Brg.	72218C-72487 ⁴	1
Pinion Tail Brg.	HM807049-HM807010 ⁴	1
Pinion Nose Brg.	MUSB1307UM	1
Input Shaft Brg.	3979-JM511910	1
Output Shaft Front Brg.	29675-29620	1
Output Shaft Rear Brg.	MA1209EL	1
Input Shaft Seal	DT7719 (2.937x4.003)	1
Thrushaft Seal	DT7720 (2.625x3.623)	1
Sealer	RTV Silicone	1

DRK-198		
Position	Part Number	Qty
Differential Right Brg.	56425-56650	1
Differential Left Brg.	56425-56650	1
Pinion Head Brg.	H715343-H715311	1
Pinion Tail Brg.	H715343-H715311	1
Pinion Nose Brg.	MU1308UM	1
Pinion Seal	415013N (3.000x4.003)	1
Sealer	RTV Silicone	1

DRK-200F		
Position	Part Number	Qty
Differential Right Brg.	47890-47820	1
Differential Left Brg.	47890-47820	1
Pinion Head Brg.	72225C-72487	1
Pinion Tail Brg.	72225C-72487	1
Pinion Nose Brg.	MUB1307UM	1
Idler Gear Brg.	3877-3820	2
Power Divider Thrust Race	W4860	1
Power Divider Thrust Brg.	TRA4860	2
Power Divider Case Intermediate Brg.	28985-28921	1
Power Divider Brg.	JLM710949-JLM710910	2
Power Divider Rear Brg.	XLS5-1/8AF	1
Output Shaft Brg.	210	1
Input Shaft Seal	415281N (3.000x3.751)	1
Thrushaft Seal	415013N (3.000x4.003)	1
Sealer	RTV Silicone	1

DRK-200FA		
Position	Part Number	Qty
Differential Right Brg.	47890-47820	1
Differential Left Brg.	47890-47820	1
Pinion Head Brg.	72225C-72487	1
Pinion Tail Brg.	72225C-72487	1
Pinion Nose Brg.	MUB1307UM	1
Idler Gear Brg.	M802048-M802011	2
Power Divider Thrust Race	W4860	1
Power Divider Thrust Brg.	TRA4860	2
Power Divider Case Intermediate Brg.	28985-28921	1
Power Divider Brg.	JLM710949-JLM710910	2
Power Divider Rear Brg.	XLS5-1/8AF	1
Output Shaft Brg.	210	1
Input Shaft Seal	415281N (3.000x3.751)	1
Thrushaft Seal	415013N (3.000x4.003)	1
Sealer	RTV Silicone	1

Differential Rebuild Kits

HD Differential

DRK-201F		
Position	Part Number	Qty
Differential Right Brg.	56425-56650	1
Differential Left Brg.	56425-56650	1
Pinion Head Brg.	H715343-H715311	1
Pinion Tail Brg.	HM813844-HM813810	1
Pinion Nose Brg.	MU1308UM	1
Idler Gear Brg.	3877-3820	2
Power Divider Thrust Race	W4860	1
Power Divider Thrust Brg.	TRA4860	2
Power Divider Case Intermediate Brg.	28985-28921	1
Power Divider Brg.	JLM710949-JLM710910	2
Power Divider Rear Brg.	XL55-1/8AF	1
Output Shaft Brg.	210	1
Input Shaft Seal	415281N (3.000x3.751)	1
Thrushaft Seal	415013N (3.000x4.003)	1
Sealer	RTV Silicone	1

DRK-201FA		
Position	Part Number	Qty
Differential Right Brg.	56425-56650	1
Differential Left Brg.	56425-56650	1
Pinion Head Brg.	H715343-H715311	1
Pinion Tail Brg.	HM813844-HM813810	1
Pinion Nose Brg.	MU1308UM	1
Idler Gear Brg.	M802048-M802011	2
Power Divider Thrust Race	W4860	1
Power Divider Thrust Brg.	TRA4860	2
Power Divider Case Intermediate Brg.	28985-28921	1
Power Divider Brg.	JLM710949-JLM710910	2
Power Divider Rear Brg.	XL55-1/8AF	1
Output Shaft Brg.	210	1
Input Shaft Seal	415281N (3.000x3.751)	1
Thrushaft Seal	415013N (3.000x4.003)	1
Sealer	RTV Silicone	1

DRK-201R		
Position	Part Number	Qty
Differential Right Brg.	56425-56650	1
Differential Left Brg.	56425-56650	1
Pinion Head Brg.	H715343-H715311	1
Pinion Tail Brg.	HM813844-HM813810	1
Pinion Nose Brg.	MU1308UM	1
Pinion Seal	DTHH102 (3.000x5.751)	1
Sealer	RTV Silicone	1

DRK-202		
Position	Part Number	Qty
Differential Right Brg.	3984-3925	1
Differential Left Brg.	3984-3925	1
Pinion Head Brg.	HM903249A-HM903210	1
Pinion Tail Brg.	HM903249A-HM903210	1
Pinion Nose Brg.	MUB5205UM	1
Pinion Seal	410686N (2.375x3.483)	1
Pinion Seal	711553 (2.375x3.875)	1
Sealer	RTV Silicone	1

DRK-203F		
Position	Part Number	Qty
Differential Right Brg.	598-592A	1
Differential Left Brg.	52387-52618	1
Pinion Head Brg.	78250AC-78551	1
Pinion Tail Brg.	78250AC-78551	1
Pinion Nose Brg.	MUB1309TM	1
Input Shaft Front Brg.	HM813841-HM813810	1
Input Shaft Rear Brg.	JM515649-JM515610	1
Thrushaft Brg.	385A-382A	2
Oil Pump Idler Gear Brg.	5204K	1
Input Shaft Seal	416470N (3.250x4.249)	1
Input Shaft Seal	3143N (3.000x5.500)	1
Thrushaft Seal	415013N (3.000x4.003)	1
Sealer	RTV Silicone	1

DRK-204F		
Position	Part Number	Qty
Differential Right Brg.	HM516449C-HM516410	1
Differential Left Brg.	HM516449C-HM516410	1
Pinion Head Brg.	42350-42584	1
Pinion Tail Brg.	42350-42584	1
Pinion Nose Brg.	MR1213EL	1
Cross Shaft Right Brg.	641-632	2
Cross Shaft Left Brg.	MU1221UM	1
Input Shaft Brg.	394A-392	2
Thrushaft Brg.	385A-382A	2
Input Shaft Seal	415137 (3.250x4.499)	1
Thrushaft Seal	415272N (2.750x4.003)	1
Sealer	RTV Silicone	1

DRK-204R		
Position	Part Number	Qty
Differential Right Brg.	HM516449C-HM516410	1
Differential Left Brg.	HM516449C-HM516410	1
Pinion Head Brg.	H715345-H715311	1
Pinion Tail Brg.	HM807046-HM807010	1
Cross Shaft Right Brg.	65237-65500	1
Cross Shaft Left Brg.	65237-65500	1
Pinion Seal	476283N (2.750x4.249)	1
Sealer	RTV Silicone	1

DRK-205		
Position	Part Number	Qty
Differential Right Brg.	47687-47623A	1
Differential Left Brg.	HM516448-HM516414B	1
Pinion Head Brg.	5760-5735	1
Pinion Tail Brg.	557S-552A	1
Cross Shaft Right Brg.	621-612	1
Cross Shaft Left Brg.	H715345-H715313W	1
Pinion Seal	415272N (2.750x4.003)	1
O-Ring Set	OK205	1
Sealer	RTV Silicone	1

DRK-206		
Position	Part Number	Qty
Differential Right Brg.	47687-47623A	1
Differential Left Brg.	HM516448-HM516414B	1
Pinion Head Brg.	497-492A	1
Pinion Tail Brg.	576-572	1
Cross Shaft Right Brg.	621-612	1
Cross Shaft Left Brg.	H715345-H715313W	1
Drive Gear Front Brg.	1211	1
Input Shaft Brg.	1213L	1
Input Shaft Seal	415991N (3.500x4.501)	1
Thrushaft Seal	475322N (2.750x3.543)	1
O-Ring Set	OK206	1
Sealer	RTV Silicone	1

DRK-207		
Position	Part Number	Qty
Differential Right Brg.	56425-56650	1
Differential Left Brg.	497-493	1
Pinion Head Brg.	72218C-72487	1
Pinion Tail Brg.	HM807049-HM807010	1
Pinion Nose Brg.	MUSB1307UM	1
Input Shaft Brg.	3979-JM511910	1
Output Shaft Front Brg.	29675-29620	1
Output Shaft Rear Brg.	MA1209EL	1
Input Shaft Seal	DT7719 (2.937x4.003)	1
Thrushaft Seal	DT7720 (2.625x3.623)	1
Sealer	RTV Silicone	1

DRK-208		
Position	Part Number	Qty
Differential Right Brg.	665-653	1
Differential Left Brg.	42381-42584	1
Pinion Head Brg.	72212C-72487	1
Pinion Tail Brg.	72212C-72487	1
Pinion Nose Brg.	MUB1308UM	1
Output Shaft Front Brg.	33275-33472	1
Input Shaft Brg.	JM511946-JM511910	1
Output Shaft Rear Brg.	MA1211EL	1
Pinion Forward Brg.	MU1309CV	1
Input Shaft Seal	415164N (3.375x4.376)	1
Thrushaft Seal	475012N (3.937x4.003)	1
Sealer	RTV Silicone	1

DRK-208A		
Position	Part Number	Qty
Differential Right Brg.	665-653	1
Differential Left Brg.	42381-42584	1
Pinion Head Brg.	72212C-72487	1
Pinion Tail Brg.	72212C-72487	1
Pinion Nose Brg.	MUB1308UM	1
Output Shaft Front Brg.	33275-33472	1
Input Shaft Brg.	313	1
Output Shaft Rear Brg.	MA1211EL	1
Pinion Forward Brg.	MU1309CV	1
Input Shaft Seal	415164N (3.375x4.376)	1
Thrushaft Seal	475012N (3.937x4.003)	1
Sealer	RTV Silicone	1

DRK-209		
Position	Part Number	Qty
Differential Right Brg.	68462-68712	1
Differential Left Brg.	42346-42584	1
Pinion Head Brg.	72212C-72487	1
Pinion Tail Brg.	72212C-72487	1
Pinion Nose Brg.	MUB1308UM	1
Pinion Forward Brg.	MU1309CV	1
Input Shaft Brg.	313	1
Output Shaft Front Brg.	33275-33472	1
Output Shaft Rear Brg.	MA1211EL	1
Input Shaft Seal	415164N (3.375x4.376)	1
Thrushaft Seal	475012N (3.937x4.003)	1
Sealer	RTV Silicone	1

DRK-209A		
Position	Part Number	Qty
Differential Right Brg.	68450-68712	1
Differential Left Brg.	42346-42584	1
Pinion Head Brg.	72212C-72487	1
Pinion Tail Brg.	72212C-72487	1
Pinion Nose Brg.	MUB1308UM	1
Pinion Forward Brg.	MU1309CV	1
Input Shaft Brg.	313	1
Output Shaft Front Brg.	33275-33472	1
Output Shaft Rear Brg.	MA1211EL	1
Input Shaft Seal	415164N (3.375x4.376)	1
Thrushaft Seal	475012N (3.937x4.003)	1
Sealer	RTV Silicone	1

DRK-210		
Position	Part Number	Qty
Differential Right Brg.	68462-68712	1
Differential Left Brg.	42346-42584	1
Pinion Head Brg.	72212C-72487	1
Pinion Tail Brg.	72212C-72487	1
Pinion Nose Brg.	MUB1308UM	1
Pinion Forward Brg.	MU1309CV	1
Input Shaft Brg.	JM511946-JM511910	1
Output Shaft Front Brg.	33275-33472	1
Output Shaft Rear Brg.	MA1211EL	1
Input Shaft Seal	415894 (3.375x4.376)	1
Thrushaft Seal	475012N (3.937x4.003)	1
Sealer	RTV Silicone	1

* Not packed in kit

Differential Rebuild Kits

HD Differential

DRK-211F		
Position	Part Number	Qty
Differential Right Brg.	68462-68712	1
Differential Left Brg.	42381-42584	1
Pinion Head Brg.	72212C-72487	1
Pinion Tail Brg.	72212C-72487	1
Pinion Nose Brg.	MUB1308UM	1
Input Shaft Brg.	JM511946-JM511910	1
Pinion Forward Brg.	MU1309CV	1
Output Shaft Front Brg.	33275-33472	1
Output Shaft Rear Brg.	MA1211EL	1
Input Shaft Seal	DT0736 (3.375x4.376)	1
Thrushaft Seal	DT0737 (2.937x4.003)	1
Sealer	RTV Silicone	1

DRK-211FA		
Position	Part Number	Qty
Differential Right Brg.	68450-68712	1
Differential Left Brg.	42381-42584	1
Pinion Head Brg.	72212C-72487	1
Pinion Tail Brg.	72212C-72487	1
Pinion Nose Brg.	MUB1308UM	1
Input Shaft Brg.	JM511946-JM511910	1
Pinion Forward Brg.	MU1309CV	1
Output Shaft Front Brg.	33275-33472	1
Output Shaft Rear Brg.	MA1211EL	1
Input Shaft Seal	DT0736 (3.375x4.376)	1
Thrushaft Seal	DT0737 (2.937x4.003)	1
Sealer	RTV Silicone	1

DRK-212F		
Position	Part Number	Qty
Differential Right Brg.	766-753A	1
Differential Left Brg.	766-752B	1
Pinion Head Brg.	740-742	1
Pinion Tail Brg.	661-653	1
Cross Shaft Left Brg.	H414235-H414210	1
Cross Shaft Left Brg.	6580-6535W	1
Power Divider Brg.	7213BG	2
Output Shaft Brg.	1212	1
Input Shaft Seal	415991N (3.500x4.501)	1
Thrushaft Seal	5578 (3.125x4.125)	1
Power Divider O-Ring	OR247	1
Power Divider O-Ring	OR272	1
Gasket Set	BBK7124-300	1
Sealer	RTV Silicone	1

DRK-212R		
Position	Part Number	Qty
Differential Right Brg.	766-753A	1
Differential Left Brg.	766-752B	1
Pinion Head Brg.	6466-6420	1
Pinion Tail Brg.	65225-65500	1
Cross Shaft Right Brg.	H414235-H414210	1
Cross Shaft Left Brg.	6580-6535W	1
Pinion Seal	5578 (3.125x4.125)	1
Gasket Set	BBK7143-300	1
Sealer	RTV Silicone	1

DRK-213		
Position	Part Number	Qty
Differential Right Brg.	495-493	1
Differential Left Brg.	42381-42584	1
Pinion Head Brg.	55200C-55437	1
Pinion Tail Brg.	55200C-55437	1
Pinion Nose Brg.	MUB1307UM	1
Pinion Seal	455088V (3.000x4.499)	1
Sealer	RTV Silicone	1

DRK-214		
Position	Part Number	Qty
Differential Right Brg.	JM716649-JM716610	1
Differential Left Brg.	JM822049-JM822010	1
Pinion Head Brg.	72225C-72487 ⁵	1
Pinion Tail Brg.	55200C-55437	1
Pinion Nose Brg.	MUB1308UM	1
Pinion Seal	455088V (3.000x4.499)	1
Sealer	RTV Silicone	1

DRK-216		
Position	Part Number	Qty
Differential Right Brg.	JLM714149-JLM714110	1
Differential Left Brg.	42381-42584	1
Pinion Head Brg.	55200C-55437	1
Pinion Tail Brg.	M804049-M804010	1
Pinion Nose Brg.	RU1570UM	1
Pinion Seal	DTD1928 (2.500x3.876)	1
Sealer	RTV Silicone	1

DRK-217F		
Position	Part Number	Qty
Differential Right Brg.	JM716649-JM716610	1
Differential Left Brg.	JM716649-JM716610	1
Pinion Head Brg.	H715334-H715311	1
Pinion Tail Brg.	72212C-72487	1
Input Shaft Front Brg.	JM511946-JM511910	1
Input Shaft Rear Brg.	JLM710949-JLM710910	1
Output Shaft Brg.	LM104949-JLM104910	2
Input Shaft Seal	DTP2590 (3.000x3.750) ⁵⁷	1
Thrushaft Seal	DTP2590 (3.000x3.750) ⁵⁷	1
O-Ring	5X1034	2
Sealer	RTV Silicone	1

DRK-217R		
Position	Part Number	Qty
Differential Right Brg.	JM716649-JM716610	1
Differential Left Brg.	JM716649-JM716610	1
Pinion Head Brg.	72212C-72487	1
Pinion Tail Brg.	55206C-55437	1
Pinion Nose Brg.	RU1570UM	1
Pinion Seal	DTN2588 (3.000x4.937) ⁵⁸	1
Sealer	RTV Silicone	1

DRK-218		
Position	Part Number	Qty
Differential Right Brg.	34306-34478	1
Differential Left Brg.	3994-JM511910	1
Pinion Head Brg.	55200C-55437	1
Pinion Tail Brg.	HM804846-HM804810	1
Pinion Nose Brg.	MUB1305UDM	1
Pinion Seal	DTD1928 (2.500x3.876)	1
Sealer	RTV Silicone	1

DRK-219R		
Position	Part Number	Qty
Differential Right Brg.	42381-42584	1
Differential Left Brg.	68462-68712 ⁶	1
Pinion Head Brg.	78215C-78551	1
Pinion Tail Brg.	72212C-72487	1
Pinion Nose Brg.	MUB1308UM	1
Pinion Seal	712937 (2.937x4.939)	1
Pinion Seal	DT0724 (2.937x5.046)	1
Sealer	RTV Silicone	1

DRK-220F		
Position	Part Number	Qty
Differential Right Brg.	68450-68712	1
Differential Left Brg.	42381-42584	1
Pinion Head Brg.	72212C-72487	1
Pinion Tail Brg.	72212C-72487	1
Pinion Nose Brg.	MUB1308UM	1
Pinion Forward Brg.	MU1309CV	1
Input Shaft Front Brg.	JM511946-JM511910	1
Input Shaft Rear Brg.	JH211749-JH211710	1
Output Shaft Brg.	MA1211EL	1
Input Shaft Seal	415164N (3.375x4.376)	1
Thrushaft Seal	475012N (3.937x4.003)	1
Sealer	RTV Silicone	1

DRK-220FA		
Position	Part Number	Qty
Differential Right Brg.	68462-68712	1
Differential Left Brg.	42381-42584	1
Pinion Head Brg.	72212C-72487	1
Pinion Tail Brg.	72212C-72487	1
Pinion Nose Brg.	MUB1308UM	1
Pinion Forward Brg.	MU1309CV	1
Input Shaft Front Brg.	JM511946-JM511910	1
Input Shaft Rear Brg.	JH211749-JH211710	1
Output Shaft Brg.	MA1211EL	1
Input Shaft Seal	415164N (3.375x4.376)	1
Thrushaft Seal	475012N (3.937x4.003)	1
Sealer	RTV Silicone	1

DRK-221		
Position	Part Number	Qty
Differential Right Brg.	3994-3920	1
Differential Left Brg.	497-493	1
Pinion Head Brg.	72200C-72487	1
Pinion Tail Brg.	HM903249-HM903210	1
Pinion Nose Brg.	RUB1570UM	1
Pinion Seal	9773 (2.625x4.564)	1
Sealer	RTV Silicone	1

DRK-222F		
Position	Part Number	Qty
Differential Right Brg.	567-563	1
Differential Left Brg.	497-493	1
Pinion Head Brg.	72218C-72487	1
Pinion Tail Brg.	HM807049-HM807010	1
Pinion Nose Brg.	MUSB7307UM	1
Input Shaft Brg.	3979-JM511910	1
Output Shaft Front Brg.	29675-29620	1
Output Shaft Rear Brg.	MA1209EL	1
Input Shaft Seal	DT7719 (2.937x4.003)	1
Thrushaft Seal	DT7720 (2.625x3.623)	1
Sealer	RTV Silicone	1

DRK-222R		
Position	Part Number	Qty
Differential Right Brg.	497-493	1
Differential Left Brg.	567-563	1
Pinion Head Brg.	72200C-72487	1
Pinion Tail Brg.	55200C-55437	1
Pinion Nose Brg.	MUSB7307UM	1
Pinion Seal	DT7721 (2.625x4.654)	1
Sealer	RTV Silicone	1

DRK-223F		
Position	Part Number	Qty
Differential Right Brg.	495-493	1
Differential Left Brg.	495-493	1
Pinion Head Brg.	72225C-72487	1
Pinion Tail Brg.	72225C-72487	1
Pinion Nose Brg.	RU1570UM	1
Input Shaft Brg.	HM807049-HM807010	1
Input Gear Brg.	J3624	1
Inter Axle Brg.	JLM710949-JLM710910	1
Output Shaft Brg.	A1400	1
Input Shaft Seal	415013N (3.000x4.003)	1
Thrushaft Seal	4624V (2.503x3.629)	1
O-Ring	OR230	1
Sealer	RTV Silicone	1

DRK-223R		
Position	Part Number	Qty
Differential Right Brg.	495-493	1
Differential Left Brg.	495-493	1
Pinion Head Brg.	72225C-72487	1
Pinion Tail Brg.	72225C-72487	1
Pinion Nose Brg.	RU1570UM	1
Pinion Seal	DTHH102 (3.000x5.751)	1
Sealer	RTV Silicone	1

⁵For I.H. use 55200C-55437

⁶Use 68450-68712 w/Support Case 27950.

⁵⁷Order DTY2729 for updated seal.

⁵⁸Order DTZ2730 for updated seal.

Differential Rebuild Kits

HD Differential

DRK-224		
Position	Part Number	Qty
Differential Right Brg.	32020X	1
Differential Left Brg.	32020X	1
Pinion Head Brg.	72212C-72487	1
Pinion Tail Brg.	55206C-55437	1
Pinion Nose Brg.	RU1570UM	1
Pinion Seal	DTN2588 (3.000x4.937) ⁵⁸	1
Sealer	RTV Silicone	1

DRK-225		
Position	Part Number	Qty
Differential Right Brg.	JM716649-JM716610	1
Differential Left Brg.	52400-52618	1
Pinion Head Brg.	HM804846-HM804810	1
Pinion Tail Brg.	55200C-55437	1
Pinion Nose Brg.	MUB1307UBM	1
Pinion Seal	DTD1928 (2.500x3.876)	1
Sealer	RTV Silicone	1

DRK-400		
Position	Part Number	Qty
Differential Right Brg.	3994-3920	1
Differential Left Brg.	497-493	1
Pinion Head Brg.	55175C-55437	1
Pinion Tail Brg.	HM903249-HM903210	1
Pinion Nose Brg.	MUB1305UDM	1
Pinion Seal	9773 (2.625x4.564)	1
Sealer	RTV Silicone	1

DRK-401		
Position	Part Number	Qty
Differential Right Brg.	JM822049-JM822010	1
Differential Left Brg.	32024X	1
Pinion Head Brg.	H914841-H914811	1
Pinion Tail Brg.	HM813841-HM813810	1
Pinion Nose Brg.	MU1309UGM	1
Pinion Seal	DT0724 (2.937x5.046)	1
Shift Fork Seal	119855	1
Sealer	RTV Silicone	1

DRK-402		
Position	Part Number	Qty
Differential Right Brg.	JM822049-JM822010	1
Differential Left Brg.	52400-52618	1
Pinion Head Brg.	H914841-H914811	1
Pinion Tail Brg.	HM813841-HM813810	1
Pinion Nose Brg.	MU1309UGM	1
Pinion Seal	DT0724 (2.937x5.046)	1
Sealer	RTV Silicone	1

DRK-403		
Position	Part Number	Qty
Differential Right Brg.	497-493	1
Differential Left Brg.	56425-56650	1
Pinion Head Brg.	72200C-72487	1
Pinion Tail Brg.	55200C-55437	1
Pinion Nose Brg.	MUSB1307UM	1
Pinion Seal	9773 (2.625x4.564)	1
Shift Fork Seal	119855	1
Sealer	RTV Silicone	1

DRK-404F		
Position	Part Number	Qty
Differential Right Brg.	567-563	1
Differential Left Brg.	497-493	1
Pinion Head Brg.	72218C-72487	1
Pinion Tail Brg.	55212C-55437	1
Pinion Nose Brg.	MUB1307UM	1
Input Shaft Front Brg.	555S-552A	1
Input Shaft Rear Brg.	29675-29630	1
Output Shaft Brg.	LM104949-JLM104910 [*]	2
Output Shaft O-Ring	OR-232	2
Input Shaft Seal	DT7591 (2.913x4.561)	1
Input Shaft V-Ring	DT8703	1
Thrushaft Seal	DT7592 (2.625x3.620)	1
Sealer	RTV Silicone	1

DRK-404FMK		
Position	Part Number	Qty
Differential Right Brg.	567-563	1
Differential Left Brg.	497-493	1
Pinion Head Brg.	72218C-72487	1
Pinion Tail Brg.	55212C-55437	1
Pinion Nose Brg.	MUB1307UM	1
Input Shaft Front Brg.	555S-552A	1
Input Shaft Rear Brg.	29675-29630	1
Output Shaft Brg.	LM104949-JLM104910 [*]	2
Output Shaft O-Ring	OR-232	2
Input Shaft Seal	DT7591 (2.913x4.561)	1
Input Shaft V-Ring	DT8703	1
Thrushaft Seal	DT7592 (2.625x3.620)	1
Sealer	RTV Silicone	1

DRK-404FA		
Position	Part Number	Qty
Differential Right Brg.	567-563	1
Differential Left Brg.	497-493	1
Pinion Head Brg.	72218C-72487	1
Pinion Tail Brg.	55212C-55437	1
Pinion Nose Brg.	MUB1307UM	1
Input Shaft Front Brg.	555S-552A	1
Input Shaft Rear Brg.	29688-29620	1
Output Shaft Rear Brg.	LM104949-JLM104910 [*]	2
Output Shaft O-Ring	OR-232	2
Input Shaft Seal	DT7591 (2.913x4.561)	1
Input Shaft V-Ring	DT8703	1
Thrushaft Seal	DT7592 (2.625x3.620)	1
Sealer	RTV Silicone	1

DRK-404FAMK		
Position	Part Number	Qty
Differential Right Brg.	567-563	1
Differential Left Brg.	497-493	1
Pinion Head Brg.	72218C-72487	1
Pinion Tail Brg.	55212C-55437	1
Pinion Nose Brg.	MUB1307UM	1
Input Shaft Front Brg.	555S-552A	1
Input Shaft Rear Brg.	29688-29620	1
Output Shaft Brg.	LM104949-JLM104910 [*]	2
Output Shaft O-Ring	OR-232	2
Input Shaft Seal	DT7591 (2.913x4.561)	1
Input Shaft V-Ring	DT8703	1
Thrushaft Seal	DT7592 (2.625x3.620)	1
Sealer	RTV Silicone	1

DRK-404FMK		
Position	Part Number	Qty
Differential Right Brg.	567-563	1
Differential Left Brg.	497-493	1
Pinion Head Brg.	72218C-72487	1
Pinion Tail Brg.	55212C-55437	1
Pinion Nose Brg.	MUB1307UM	1
Input Shaft Front Brg.	555S-552A	1
Input Shaft Rear Brg.	29688-29620	1
Output Shaft Brg.	LM104949-JLM104910 [*]	2
Output Shaft O-Ring	OR-232	2
Input Shaft Seal	DT7591 (2.913x4.561)	1
Input Shaft V-Ring	DT8703	1
Thrushaft Seal	DT7592 (2.625x3.620)	1
Sealer	RTV Silicone	1
Input Shaft Shim .003"	127595	1
Input Shaft Shim .005"	127596	1
Input Shaft Shim .010"	127597	1
Input Shaft Shim .020"	127598	1
Input Shaft Shim .030"	127599	1
Output Shaft Gear Snap	85997	1
Ring		
Side Gear Thrust	127386	2
Washer		
Pinion Gear Thrust	129305	4
Washer		
Helical Gear Thrust	132439	1
Washer		

DRK-404R		
Position	Part Number	Qty
Differential Right Brg.	497-493	1
Differential Left Brg.	567-563	1
Pinion Head Brg.	72212C-72487	1
Pinion Tail Brg.	55200C-55437	1
Pinion Nose Brg.	MUB7307UM	1
Pinion Seal	DT7591 (2.913x4.561)	1
Sealer	RTV Silicone	1

DRK-404RMK		
Position	Part Number	Qty
Differential Right Brg.	497-493	1
Differential Left Brg.	567-563	1
Pinion Head Brg.	72212C-72487	1
Pinion Tail Brg.	55200C-55437	1
Pinion Nose Brg.	MUB7307UM	1
Pinion Seal	DT7591 (2.913x4.561)	1
Sealer	RTV Silicone	1
Pinion Shim .003"	127595	1
Pinion Shim .005"	127596	1
Pinion Shim .010"	127597	1
Pinion Shim .020"	127598	1
Pinion Shim .030"	127599	1
Side Gear Thrust	127386	2
Washer		
Pinion Gear Thrust	129305	4
Washer		

DRK-405F		
Position	Part Number	Qty
Differential Right Brg.	567-563	1
Differential Left Brg.	42362-42584	1
Pinion Head Brg.	72218C-72487	1
Pinion Tail Brg.	55212C-55437	1
Pinion Nose Brg.	MUB1307UM	1
Input Shaft Front Brg.	555S-552A	1
Input Shaft Rear Brg.	29675-29630	1
Output Shaft Brg.	LM104949-JLM104910 [*]	2
Output Shaft O-Ring	OR-232	2
Input Shaft Seal	DT7591 (2.913x4.561)	1
Input Shaft V-Ring	DT8703	1
Thrushaft Seal	DT7592 (2.625x3.620)	1
Sealer	RTV Silicone	1

DRK-405FMK		
Position	Part Number	Qty
Differential Right Brg.	567-563	1
Differential Left Brg.	42362-42584	1
Pinion Head Brg.	72218C-72487	1
Pinion Tail Brg.	55212C-55437	1
Pinion Nose Brg.	MUB1307UM	1
Input Shaft Front Brg.	555S-552A	1
Input Shaft Rear Brg.	29675-29630	1
Thrushaft Brg.	LM104949-JLM104910	2
Output Shaft O-Ring	OR-232	2
Input Shaft Seal	DT7591 (2.913x4.561)	1
Input Shaft V-Ring	DT8703	1
Thrushaft Seal	DT7592 (2.625x3.620)	1
Sealer	RTV Silicone	1
Input Shaft Shim .003"	127595	1
Input Shaft Shim .005"	127596	1
Input Shaft Shim .010"	127597	1
Input Shaft Shim .020"	127598	1
Input Shaft Shim .030"	127599	1
Output Shaft Gear Snap	85997	1
Ring		
Output Shaft Gear Snap	129594	1
Ring		
Side Gear Thrust	127386	2
Washer		
Pinion Gear Thrust	129305	4
Washer		
Helical Gear Thrust	132439	1
Washer		

⁵⁸Order DTZ2730 for updated seal.

* Not packed in kit

Differential Rebuild Kits

HD Differential

DRK-405FA		
Position	Part Number	Qty
Differential Right Brg.	567-563	1
Differential Left Brg.	42362-42584	1
Pinion Head Brg.	72218C-72487	1
Pinion Tail Brg.	55212C-55437	1
Pinion Nose Brg.	MUB1307UM	1
Input Shaft Front Brg.	555S-552A	1
Input Shaft Rear Brg.	29688-29620	1
Output Shaft Brg.	LM104949-JLM104910 *	2
Output Shaft O-Ring	OR-232	2
Input Shaft Seal	DT7591 (2.913x4.561)	1
Input Shaft V-Ring	DT8703	1
Thrushaft Seal	DT7592 (2.625x3.620)	1
Sealer	RTV Silicone	1

DRK-405FAMK		
Position	Part Number	Qty
Differential Right Brg.	567-563	1
Differential Left Brg.	42362-42584	1
Pinion Head Brg.	72218C-72487	1
Pinion Tail Brg.	55212C-55437	1
Pinion Nose Brg.	MUB1307UM	1
Input Shaft Front Brg.	555S-552A	1
Input Shaft Rear Brg.	29688-29620	1
Thrushaft Brg.	LM104949-JLM104910	2
Output Shaft O-Ring	OR-232	2
Input Shaft Seal	DT7591 (2.913x4.561)	1
Input Shaft V-Ring	DT8703	1
Thrushaft Seal	DT7592 (2.625x3.620)	1
Sealer	RTV Silicone	1
Input Shaft Shim .003"	127595	1
Input Shaft Shim .005"	127596	1
Input Shaft Shim .010"	127597	1
Input Shaft Shim .020"	127598	1
Input Shaft Shim .030"	127599	1
Output Shaft Gear Snap Ring	85997	1
Output Shaft Gear Snap Ring	129594	1
Side Gear Thrust Washer	127386	2
Pinion Gear Thrust Washer	129305	4
Helical Gear Thrust Washer	132439	1

DRK-405R		
Position	Part Number	Qty
Differential Right Brg.	42362-42584	1
Differential Left Brg.	567-563	1
Pinion Head Brg.	72212C-72487	1
Pinion Tail Brg.	55200C-55437	1
Pinion Nose Brg.	MUB7307UM	1
Pinion Seal	DT7591 (2.913x4.561)	1
Sealer	RTV Silicone	1

DRK-405RMK		
Position	Part Number	Qty
Differential Right Brg.	42362-42584	1
Differential Left Brg.	567-563	1
Pinion Head Brg.	72212C-72487	1
Pinion Tail Brg.	55200C-55437	1
Pinion Nose Brg.	MUB7307UM	1
Pinion Seal	DT7591 (2.913x4.561)	1
Sealer	RTV Silicone	1
Pinion Shim .003"	127595	1
Pinion Shim .005"	127596	1
Pinion Shim .010"	127597	1
Pinion Shim .020"	127598	1
Pinion Shim .030"	127599	1
Side Gear Thrust Washer	127386	2
Pinion Gear Thrust Washer	129305	4

DRK-406		
Position	Part Number	Qty
Differential Right Brg.	598-592A	1
Differential Left Brg.	497-493	1
Pinion Head Brg.	78215C-78551	1
Pinion Tail Brg.	55200C-55437	1
Pinion Nose Brg.	MUB1308UM	1
Pinion Seal	9773 (2.625x4.564)	1
Sealer	RTV Silicone	1

DRK-407		
Position	Part Number	Qty
Differential Right Brg.	497-493	1
Differential Left Brg.	598-592A	1
Pinion Head Brg.	H913842-H913810	1
Pinion Tail Brg.	72212C-72487	1
Pinion Nose Brg.	MUB1308UM	1
Pinion Seal	DT0724 (2.937x5.046)	1
Sealer	RTV Silicone	1

DRK-408		
Position	Part Number	Qty
Differential Right Brg.	497-493	1
Differential Left Brg.	56425-56650	1
Pinion Head Brg.	78215C-78551	1
Pinion Tail Brg.	72212C-72487	1
Pinion Nose Brg.	MUB5207UM	1
Pinion Seal	DT0724 (2.937x5.046)	1
Shift Shaft Seal	119855	1
Sealer	RTV Silicone	1

DRK-409		
Position	Part Number	Qty
Differential Right Brg.	JM822049-JM822010	1
Differential Left Brg.	56425-56662	1
Pinion Head Brg.	H914841-H914811	1
Pinion Tail Brg.	HM813841-HM813810	1
Pinion Nose Brg.	MU1309UM	1
Pinion Seal	DT0724 (2.937x5.046)	1
Sealer	RTV Silicone	1

DRK-410		
Position	Part Number	Qty
Differential Right Brg.	497-493	1
Differential Left Brg.	598-592A	1
Pinion Head Brg.	H914841-H914811	1
Pinion Tail Brg.	HM813841-HM813810	1
Pinion Nose Brg.	RU9008UM	1
Pinion Seal	DT0724 (2.937x5.046)	1
Sealer	RTV Silicone	1

DRK-411		
Position	Part Number	Qty
Differential Right Brg.	33275-33472	1
Differential Left Brg.	498-493	1
Pinion Head Brg.	5583-5535	1
Pinion Tail Brg.	49576-49520	1
Pinion Seal	410686N (2.375x3.483)	1
Pinion Seal	470737N (2.250x3.189)	1
Sealer	RTV Silicone	1

DRK-411F		
Position	Part Number	Qty
Differential Right Brg.	495-493	1
Differential Left Brg.	495-493	1
Pinion Head Brg.	72225C-72487	1
Pinion Tail Brg.	72225C-72487	1
Pinion Nose Brg.	MUX5207UMV1	1
Input Shaft Brg.	HM807049-HM807010	1
Input Gear Brg.	J3624	1
Inter Axle Brg.	JLM710949-JLM710910	1
Output Shaft Brg.	SC1084C *	1
Input Shaft Seal	401HH104	1
Thrushaft Seal	472HH101	1
Sealer	RTV Silicone	1

DRK-411R		
Position	Part Number	Qty
Differential Right Brg.	495-493	1
Differential Left Brg.	495-493	1
Pinion Head Brg.	72225C-72487	1
Pinion Tail Brg.	72225C-72487	1
Pinion Nose Brg.	MUX5207UMV1	1
Pinion Seal	DTHH102 (3.000x5.751)	1
Sealer	RTV Silicone	1

DRK-412		
Position	Part Number	Qty
Differential Right Brg.	497-493	1
Differential Left Brg.	567-563	1
Pinion Head Brg.	72200C-72487	1
Pinion Tail Brg.	55200C-55437	1
Pinion Nose Brg.	MUSB1307UM	1
Pinion Seal	DT7721 (2.625x4.654)	1
Sealer	RTV Silicone	1

DRK-413		
Position	Part Number	Qty
Differential Right Brg.	42381-42584	1
Differential Left Brg.	68450-68712	1
Pinion Head Brg.	78215C-78551	1
Pinion Tail Brg.	72212C-72487	1
Pinion Nose Brg.	MUB1308UM	1
Pinion Seal	712937 (2.937x4.939)	1
Sealer	RTV Silicone	1

DRK-414		
Position	Part Number	Qty
Differential Right Brg.	3984-3920	1
Differential Left Brg.	3984-3920	1
Pinion Head Brg.	72225C-72487	1
Pinion Tail Brg.	55175C-55437	1
Pinion Seal	714512 (2.375x4.498)	1
Sealer	RTV Silicone	1

DRK-415		
Position	Part Number	Qty
Differential Right Brg.	42381-42584	1
Differential Left Brg.	665-653	1
Pinion Head Brg.	72212C-72487	1
Pinion Tail Brg.	72212C-72487	1
Pinion Nose Brg.	MU1309UGM	1
Pinion Seal	475003N (2.625x3.623)	1
Felt Seal	5M867 (654)	1
Sealer	RTV Silicone	1

DRK-416		
Position	Part Number	Qty
Differential Right Brg.	56425-56650	1
Differential Left Brg.	56425-56650	1
Pinion Head Brg.	9185-9121	1
Pinion Tail Brg.	H715343-H715311	1
Pinion Nose Brg.	RU9008UM	1
Pinion Seal	300HH100	1
Sealer	RTV Silicone	1

DRK-417		
Position	Part Number	Qty
Differential Right Brg.	567-563	1
Differential Left Brg.	497-493	1
Pinion Head Brg.	72218C-72487	1
Pinion Tail Brg.	HM807049-HM807010	1
Pinion Nose Brg.	MUSB1307UM	1
Outer Pinion Support Brg.	MUF1208CBXV1	1
Input Shaft Front Brg.	3979-JM511910	1
Input Shaft Rear Brg.	3979-3920	1
Front Output Shaft Front Brg.	3780-3720	1
Front Output Shaft Rear Brg.	LM501349-LM501310	1
Input Shaft Seal	119429 (2.938x4.003)	1
Front Thrushaft Seal	475003N (2.625x3.623)	1
Sealer	RTV Silicone	1

Differential Rebuild Kits

DRK-418		
Position	Part Number	Qty
Differential Right Brg.	665-653	1
Differential Left Brg.	42381-42584	1
Pinion Head Brg.	72212C-72487	1
Pinion Tail Brg.	72212C-72487	1
Pinion Nose Brg.	MUB1308UM	1
Outer Pinion Support Brg.	MU1309CV	1
Input Shaft Front Brg.	JH211749-JH211710	1
Input Shaft Rear Brg.	JM511946-JM511910	1
Front Output Shaft Front Brg.	3979-3920	1
Front Output Shaft Rear Brg.	3872-3820	1
Input Shaft Seal	119430 (3.375x4.376)	1
Front Thrushaft Seal	119429 (2.938x4.003)	1
Sealer	RTV Silicone	1

DRK-419		
Position	Part Number	Qty
Differential Right Brg.	497-493	1
Differential Left Brg.	56425-56650	1
Pinion Head Brg.	72218C-72487	1
Pinion Tail Brg.	HM807049-HM807010	1
Pinion Nose Brg.	MUSB1307UM	1
Outer Pinion Support Brg.	MUF1208CBXV1	1
Input Shaft Front Brg.	3979-JM511910	1
Input Shaft Rear Brg.	3979-3920	1
Front Output Shaft Front Brg.	3780-3720	1
Front Output Shaft Rear Brg.	LM501349-LM501310	1
Input Shaft Seal	119429 (2.938x4.003)	1
Front Thrushaft Seal	475003N (2.625x3.623)	1
Sealer	RTV Silicone	1

DRK-420		
Position	Part Number	Qty
Differential Right Brg.	42381-42584	1
Differential Left Brg.	68462-68712	1
Pinion Head Brg.	72212C-72487	1
Pinion Tail Brg.	72212C-72487	1
Pinion Nose Brg.	MUB1308UM	1
Outer Pinion Support Brg.	MU1309CV	1
Input Shaft Front Brg.	JH211749-JH211710	1
Input Shaft Rear Brg.	JM511946-JM511910	1
Front Output Shaft Front Brg.	3979-3920	1
Front Output Shaft Rear Brg.	3872-3820	1
Input Shaft Seal	119430 (3.375x4.376)	1
Front Thrushaft Seal	119429 (2.938x4.003)	1
Sealer	RTV Silicone	1

DRK-421		
Position	Part Number	Qty
Differential Right Brg.	42346-42584	1
Differential Left Brg.	68462-68712	1
Pinion Head Brg.	72212C-72487	1
Pinion Tail Brg.	72212C-72487	1
Pinion Nose Brg.	MUB1308UM	1
Outer Pinion Support Brg.	MU1309CV	1
Input Shaft Front Brg.	JH211749-JH211710	1
Input Shaft Rear Brg.	JM511946-JM511910	1
Front Output Shaft Front Brg.	3979-3920	1
Front Output Shaft Rear Brg.	3872-3820	1
Input Shaft Seal	119430 (3.375x4.376)	1
Front Thrushaft Seal	119429 (2.938x4.003)	1
Sealer	RTV Silicone	1

DRK-422		
Position	Part Number	Qty
Differential Right Brg.	567-563	1
Differential Left Brg.	497-493	1
Pinion Head Brg.	72218C-72487	1
Pinion Tail Brg.	HM807049-HM807010	1
Pinion Nose Brg.	MUSB1307UM	1
Outer Pinion Support Brg.	MUF1208CBXV1	1
Input Shaft Front Brg.	3979-JM511910	1
Input Shaft Rear Brg.	29675-29620	1
Front Output Shaft Front Brg.	3780-3720	1
Front Output Shaft Rear Brg.	LM501349-LM501310	1
Rear Output Shaft Brg.	MA1209EL	1
Input Shaft Seal	119429 (2.938x4.003)	1
Front Thrushaft Seal	475003N (2.625x3.623)	1
Rear Thrushaft Seal	475003N (2.625x3.623)	1
Sealer	RTV Silicone	1

DRK-423		
Position	Part Number	Qty
Differential Right Brg.	665-653	1
Differential Left Brg.	42381-42584	1
Pinion Head Brg.	72212C-72487	1
Pinion Tail Brg.	72212C-72487	1
Pinion Nose Brg.	MUB1308UM	1
Outer Pinion Support Brg.	MU1309CV	1
Input Shaft Front Brg.	JM511946-JM511910	1
Input Shaft Rear Brg.	33275-33472	1
Front Output Shaft Front Brg.	3979-3920	1
Front Output Shaft Rear Brg.	HM88649-HM88610	1
Rear Output Shaft Brg.	MA1211EL	1
Input Shaft Seal	119430 (3.375x4.376)	1
Front Thrushaft Seal	119429 (2.938x4.003)	1
Rear Thrushaft Seal	119429 (2.938x4.003)	1
Sealer	RTV Silicone	1

DRK-424		
Position	Part Number	Qty
Differential Right Brg.	56425-56650	1
Differential Left Brg.	497-493	1
Pinion Head Brg.	72218C-72487	1
Pinion Tail Brg.	HM807049-HM807010	1
Pinion Nose Brg.	MUSB1307UM	1
Outer Pinion Support Brg.	MUF1208CBXV1	1
Input Shaft Front Brg.	3979-JM511910	1
Input Shaft Rear Brg.	29675-29620	1
Front Output Shaft Front Brg.	3780-3720	1
Front Output Shaft Rear Brg.	LM501349-LM501310	1
Rear Output Shaft Brg.	MA1209EL	1
Input Shaft Seal	119429 (2.938x4.003)	1
Front Thrushaft Seal	475003N (2.625x3.623)	1
Rear Thrushaft Seal	475003N (2.625x3.623)	1
Sealer	RTV Silicone	1

DRK-425		
Position	Part Number	Qty
Differential Right Brg.	42381-42584	1
Differential Left Brg.	68462-68712	1
Pinion Head Brg.	72212C-72487	1
Pinion Tail Brg.	72212C-72487	1
Pinion Nose Brg.	MUB1308UM	1
Outer Pinion Support Brg.	MU1309CV	1
Input Shaft Front Brg.	JM511946-JM511910	1
Input Shaft Rear Brg.	33275-33472	1
Front Output Shaft Front Brg.	3979-3920	1
Front Output Shaft Rear Brg.	HM88649-HM88610	1
Rear Output Shaft Brg.	MA1211EL	1
Input Shaft Seal	119430 (3.375x4.376)	1
Front Thrushaft Seal	119429 (2.938x4.003)	1
Rear Thrushaft Seal	119429 (2.938x4.003)	1
Sealer	RTV Silicone	1

DRK-426		
Position	Part Number	Qty
Differential Right Brg.	42346-42584	1
Differential Left Brg.	68462-68712	1
Pinion Head Brg.	72212C-72487	1
Pinion Tail Brg.	72212C-72487	1
Pinion Nose Brg.	MUB1308UM	1
Outer Pinion Support Brg.	MU1309CV	1
Input Shaft Front Brg.	JM511946-JM511910	1
Input Shaft Rear Brg.	33275-33472	1
Front Output Shaft Front Brg.	3979-3920	1
Front Output Shaft Rear Brg.	HM88649-HM88610	1
Rear Output Shaft Brg.	MA1211EL	1
Input Shaft Seal	119430 (3.375x4.376)	1
Front Thrushaft Seal	119429 (2.938x4.003)	1
Rear Thrushaft Seal	119429 (2.938x4.003)	1
Sealer	RTV Silicone	1

DRK-427		
Position	Part Number	Qty
Differential Right Brg.	NP799449-NP105857	1
Differential Left Brg.	NP380290-NP533133	1
Pinion Head Brg.	NP242732-NP611140	1
Pinion Tail Brg.	55212C-55437	1
Pinion Nose Brg.	MUB1307UM	1
Input Shaft Front Brg.	NP930036-NP193660	1
Input Shaft Rear Brg.	29675-29630	1
Output Shaft Brg.	LM104949-JLM104910	2
Output Shaft O-Ring	OR-232	2
Input Shaft Seal	DT7591 (2.913x4.561)	1
Thrushaft Seal	DT7592 (2.625x3.620)	1
Sealer	RTV Silicone	1

DRK-427A		
Position	Part Number	Qty
Differential Right Brg.	NP799449-NP105857	1
Differential Left Brg.	NP380290-NP533133	1
Pinion Head Brg.	NP242732-NP611140	1
Pinion Tail Brg.	55212C-55437	1
Pinion Nose Brg.	MUB1307UM	1
Input Shaft Front Brg.	NP930036-NP193660	1
Input Shaft Rear Brg.	29688-29620	1
Output Shaft Brg.	LM104949-JLM104910	2
Output Shaft O-Ring	OR-232	2
Input Shaft Seal	DT7591 (2.913x4.561)	1
Thrushaft Seal	DT7592 (2.625x3.620)	1
Sealer	RTV Silicone	1

Differential Rebuild Kits

HD Differential

DRK-428		
Position	Part Number	Qty
Differential Right Brg.	NP799449-NP105857	1
Differential Left Brg.	42362-42584	1
Pinion Head Brg.	NP242732-NP611140	1
Pinion Tail Brg.	55212C-55437	1
Pinion Nose Brg.	MUB1307UM	1
Input Shaft Front Brg.	NP930036-NP193660	1
Input Shaft Rear Brg.	29675-29630	1
Output Shaft Brg.	LM104949-JLM104910	2
Output Shaft O-Ring	OR-232	2
Input Shaft Seal	DT7591 (2.913x4.561)	1
Thrushaft Seal	DT7592 (2.625x3.620)	1
Sealer	RTV Silicone	1

DRK-428A		
Position	Part Number	Qty
Differential Right Brg.	NP799449-NP105857	1
Differential Left Brg.	42362-42584	1
Pinion Head Brg.	NP242732-NP611140	1
Pinion Tail Brg.	55212C-55437	1
Pinion Nose Brg.	MUB1307UM	1
Input Shaft Front Brg.	NP930036-NP193660	1
Input Shaft Rear Brg.	29688-29620	1
Output Shaft Front Brg.	LM104949-JLM104910	2
Output Shaft O-Ring	OR-232	2
Input Shaft Seal	DT7591 (2.913x4.561)	1
Thrushaft Seal	DT7592 (2.625x3.620)	1
Sealer	RTV Silicone	1

DRK-429		
Position	Part Number	Qty
Differential Right Brg.	NP799449-NP105857	1
Differential Left Brg.	NP380290-NP533133	1
Pinion Head Brg.	NP523912-NP611140	1
Pinion Tail Brg.	55200C-55437	1
Pinion Nose Brg.	MUB7307UM	1
Pinion Seal	DT7591 (2.913x4.561)	1
Sealer	RTV Silicone	1

DRK-430		
Position	Part Number	Qty
Differential Right Brg.	NP799449-NP105857	1
Differential Left Brg.	42362-42584	1
Pinion Head Brg.	NP523912-NP611140	1
Pinion Tail Brg.	55200C-55437	1
Pinion Nose Brg.	MUB7307UM	1
Pinion Seal	DT7591 (2.913x4.561)	1
Sealer	RTV Silicone	1

DRK-431		
Position	Part Number	Qty
Differential Right Brg.	665-653	1
Differential Left Brg.	42381-42584	1
Pinion Head Brg.	NP523912-NP611140	1
Pinion Tail Brg.	NP523912-NP611140	1
Pinion Nose Brg.	MUB1308UM	1
Outer Pinion Support Brg. (Pre 2/2000)	MU1309CV	1
Outer Pinion Support Brg. (Aft 2/2000)	MU1309UGM	1
Input Shaft Front Brg.	JM511946-JM511910	1
Output Shaft Front Brg.	33275-33472	1
Output Shaft Rear Brg.	MA1211EL	1
Input Shaft Seal	DT0736 (3.375x4.376)	1
Thrushaft Seal	DT0737 (2.937x4.003)	1
Sealer	RTV Silicone	1

DRK-432		
Position	Part Number	Qty
Differential Right Brg.	68462-68712	1
Differential Left Brg.	42381-42584	1
Pinion Head Brg.	72212C-72487	1
Pinion Tail Brg.	72212C-72487	1
Pinion Nose Brg.	MUB1308UM	1
Input Shaft Brg.	JM511946-JM511910	1
Outer Pinion Support Brg.	MU1309UGM	1
Output Shaft Front Brg.	33275-33472	1
Output Shaft Rear Brg.	MA1211EL	1
Input Shaft Seal	DT0736 (3.375x4.376)	1
Thrushaft Seal	DT0737 (2.937x4.003)	1
Sealer	RTV Silicone	1

DRK-433		
Position	Part Number	Qty
Differential Right Brg.	665-653	1
Differential Left Brg.	42381-42584	1
Pinion Head Brg.	72212C-72487	1
Pinion Tail Brg.	72212C-72487	1
Pinion Nose Brg.	MUB1308UM	1
Input Shaft Brg.	JM511946-JM511910	1
Output Shaft Front Brg.	33275-33472	1
Output Shaft Rear Brg.	MA1211EL	1
Outer Pinion Support Brg.	MU1309UGM	1
Input Shaft Seal	DT0736 (3.375x4.376)	1
Thrushaft Seal	DT0737 (2.937x4.003)	1
Sealer	RTV Silicone	1

DRK-434		
Position	Part Number	Qty
Differential Right Brg.	3984-3920	1
Differential Left Brg.	3984-3920	1
Pinion Head Brg.	72212C-72487	1
Pinion Tail Brg.	55200C-55437	1
Pinion Seal	DT7591 (2.913x4.561)	1
Sealer	RTV Silicone	1

DRK-435		
Position	Part Number	Qty
Differential Right Brg.	68462-68712	1
Differential Left Brg.	42381-42584	1
Pinion Head Brg.	NP523912-NP611140	1
Pinion Tail Brg.	NP523912-NP611140	1
Pinion Nose Brg.	MUB1308UM	1
Outer Pinion Support Brg. (Pre 2/2000)	MU1309CV	1
Outer Pinion Support Brg. (Aft 2/2000)	MU1309UGM	1
Input Shaft Front Brg.	JM511946-JM511910	1
Output Shaft Front Brg.	33275-33472	1
Output Shaft Rear Brg.	MA1211EL	1
Input Shaft Seal	DT0736 (3.375x4.376)	1
Thrushaft Seal	DT0737 (2.937x4.003)	1
Sealer	RTV Silicone	1

DRK-436		
Position	Part Number	Qty
Differential Right Brg.	NP237087-NP049312.904A4	1
Differential Left Brg.	NP374995-NP120322.904A5	1
Pinion Head Brg.	NP478770-NP547156	1
Pinion Tail Brg.	NP846736-NP166419	1
Input Shaft Front Brg.	HM813844-HM813810	1
Input Shaft Rear Brg.	NP171276-NP943289	1
Input Shaft Seal & Nut Kit	DT131008K (97x162.5)	1
Input Shaft V-Ring	401300	1
Thrushaft Seal	DT0737 (2.937x4.003)	1
Input Shaft Thrust Washer	132440	1
Sealer	RTV Silicone	1

DRK-436A		
Position	Part Number	Qty
Differential Right Brg.	140019-140020	1
Differential Left Brg.	140014-140012	1
Pinion Head Brg.	NP478770-NP547156	1
Pinion Tail Brg.	NP846736-NP166419	1
Input Shaft Front Brg.	HM813844-HM813810	1
Input Shaft Rear Brg.	NP171276-NP943289	1
Output Shaft Brg.	NP197868-NP910345	2
Input Shaft Seal & Nut Kit	DT131008K (97x162.5)	1
Input Shaft V-Ring	401300	1
Thrushaft Seal	DT0737 (2.937x4.003)	1
Input Shaft Thrust Washer	132440	1
Sealer	RTV Silicone	1

DRK-437		
Position	Part Number	Qty
Differential Right Brg.	NP237087-NP049312.904A4	1
Differential Left Brg.	NP374995-NP120322.904A5	1
Pinion Head Brg.	NP478770-NP547156	1
Pinion Tail Brg.	NP846736-NP166419	1
Pinion Nose Brg.	WUB61308UM	1
Input Shaft Front Brg.	HM813844-HM813810	1
Input Shaft Rear Brg.	NP171276-NP943289	1
Input Shaft Seal & Nut Kit	DT131008K (97x162.5)	1
Input Shaft V-Ring	401300	1
Thrushaft Seal	DT0737 (2.937x4.003)	1
Input Shaft Thrust Washer	132440	1
Sealer	RTV Silicone	1

DRK-437A		
Position	Part Number	Qty
Differential Right Brg.	140019-140020	1
Differential Left Brg.	140014-140012	1
Pinion Head Brg.	NP478770-NP547156	1
Pinion Tail Brg.	NP846736-NP166419	1
Pinion Nose Brg.	WUB61308UM	1
Input Shaft Front Brg.	HM813844-HM813810	1
Input Shaft Rear Brg.	NP171276-NP943289	1
Output Shaft Brg.	NP197868-NP910345	2
Input Shaft Seal & Nut Kit	DT131008K (97x162.5)	1
Input Shaft V-Ring	401300	1
Thrushaft Seal	DT0737 (2.937x4.003)	1
Input Shaft Thrust Washer	132440	1
Sealer	RTV Silicone	1

DRK-438		
Position	Part Number	Qty
Differential Right Brg.	NP374995-NP120322.904A5	1
Differential Left Brg.	NP374995-NP120322.904A5	1
Pinion Head Brg.	NP478770-NP547156	1
Pinion Tail Brg.	NP927527-NP547156	1
Pinion Nose Brg.	WUB61308UM	1
Pinion Seal & Nut Kit	DT131008K (97x162.5)	1
Sealer	RTV Silicone	1

DRK-438A		
Position	Part Number	Qty
Differential Right Brg.	140014-140012	1
Differential Left Brg.	140014-140012	1
Pinion Head Brg.	NP478770-NP547156	1
Pinion Tail Brg.	NP927527-NP547156	1
Pinion Nose Brg.	WUB61308UM	1
Pinion Seal & Nut Kit	DT131008K (97x162.5)	1
Sealer	RTV Silicone	1

Differential Rebuild Kits

HD Differential

DRK-439		
Position	Part Number	Qty
Differential Right Brg.	NP374995-NP120322.904A5	1
Differential Left Brg.	NP374995-NP120322.904A5	1
Pinion Head Brg.	NP478770-NP547156	1
Pinion Tail Brg.	NP927527-NP547156	1
Pinion Seal & Nut Kit	DT131008K (97x162.5)	1
Sealer	RTV Silicone	1

DRK-439A		
Position	Part Number	Qty
Differential Right Brg.	140014-140012	1
Differential Left Brg.	140014-140012	1
Pinion Head Brg.	NP478770-NP547156	1
Pinion Tail Brg.	NP927527-NP547156	1
Pinion Seal & Nut Kit	DT131008K (97x162.5)	1
Sealer	RTV Silicone	1

DRK-441		
Position	Part Number	Qty
Differential Right Brg.	NP237087-NP049312.904A4	1
Differential Left Brg.	NP374995-NP120322.904A5	1
Pinion Head Brg.	NP478770-NP547156	1
Pinion Tail Brg.	NP927527-NP547156	1
Pinion Nose Brg.	MUB1308UM	1
Pinion Seal & Nut Kit	DT131008K (97x162.5)	1
Sealer	RTV Silicone	1

DRK-441A		
Position	Part Number	Qty
Differential Right Brg.	140019-140020	1
Differential Left Brg.	140014-140012	1
Pinion Head Brg.	NP478770-NP547156	1
Pinion Tail Brg.	NP927527-NP547156	1
Pinion Nose Brg.	MUB1308UM	1
Pinion Seal & Nut Kit	DT131008K (97x162.5)	1
Sealer	RTV Silicone	1

DRK-442		
Position	Part Number	Qty
Differential Right Brg.	NP374995-NP120322.904A5	1
Differential Left Brg.	NP374995-NP120322.904A5	1
Pinion Head Brg.	NP478770-NP547156	1
Pinion Tail Brg.	NP846736-NP166419	1
Input Shaft Front Brg.	HM813844-HM813810	1
Input Shaft Rear Brg.	NP171276-NP943289	1
Input Shaft Seal & Nut Kit	DT131008K (97x162.5)	1
Input Shaft V-Ring	401300	1
Thrushaft Seal	DT0737 (2.937x4.003)	1
Input Shaft Thrust Washer	132440	1
Sealer	RTV Silicone	1

DRK-442A		
Position	Part Number	Qty
Differential Right Brg.	140014-140012	1
Differential Left Brg.	140014-140012	1
Pinion Head Brg.	NP478770-NP547156	1
Pinion Tail Brg.	NP846736-NP166419	1
Input Shaft Front Brg.	HM813844-HM813810	1
Input Shaft Rear Brg.	NP171276-NP943289	1
Output Shaft Brg.	NP197868-NP910345 *	2
Input Shaft Seal & Nut Kit	DT131008K (97x162.5)	1
Input Shaft V-Ring	401300	1
Thrushaft Seal	DT0737 (2.937x4.003)	1
Input Shaft Thrust Washer	132440	1
Sealer	RTV Silicone	1

DRK-443		
Position	Part Number	Qty
Differential Right Brg.	NP237087-NP049312.904A4	1
Differential Left Brg.	NP374995-NP120322.904A5	1
Pinion Head Brg.	NP478770-NP547156	1
Pinion Tail Brg.	NP927527-NP547156	1
Pinion Nose Brg.	WUB61308UM	1
Pinion Seal & Nut Kit	DT131008K (97x162.5)	1
Sealer	RTV Silicone	1

DRK-443A		
Position	Part Number	Qty
Differential Right Brg.	140019-140020	1
Differential Left Brg.	140014-140012	1
Pinion Head Brg.	NP478770-NP547156	1
Pinion Tail Brg.	NP927527-NP547156	1
Pinion Nose Brg.	WUB61308UM	1
Pinion Seal & Nut Kit	DT131008K (97x162.5)	1
Sealer	RTV Silicone	1

DRK-444		
Position	Part Number	Qty
Differential Right Brg.	NP237087-NP049312.904A4	1
Differential Left Brg.	NP374995-NP120322.904A5	1
Pinion Head Brg.	NP478770-NP547156	1
Pinion Tail Brg.	NP927527-NP547156	1
Pinion Seal & Nut Kit	DT131008K (97x162.5)	1
Sealer	RTV Silicone	1

DRK-444A		
Position	Part Number	Qty
Differential Right Brg.	140019-140020	1
Differential Left Brg.	140014-140012	1
Pinion Head Brg.	NP478770-NP547156	1
Pinion Tail Brg.	NP927527-NP547156	1
Pinion Seal & Nut Kit	DT131008K (97x162.5)	1
Sealer	RTV Silicone	1

DRK-445		
Position	Part Number	Qty
Differential Right Brg.	567-563	1
Differential Left Brg.	NP380290-NP533133	1
Pinion Head Brg.	72200C-NP611140	1
Pinion Tail Brg.	55200C-55437	1
Pinion Nose Brg.	MUB7307UM	1
Pinion Seal	DT7591 (2.913x4.561)	1
Sealer	RTV Silicone	1

DRK-446		
Position	Part Number	Qty
Differential Right Brg.	567-563	1
Differential Left Brg.	NP380290-NP533133	1
Pinion Head Brg.	72200C-NP611140	1
Pinion Tail Brg.	55200C-55437	1
Pinion Nose Brg.	WUB61307UM	1
Pinion Seal	DT7591 (2.913x4.561)	1
Sealer	RTV Silicone	1

DRK-447		
Position	Part Number	Qty
Differential Right Brg.	567-563	1
Differential Left Brg.	NP380290-NP533133	1
Pinion Head Brg.	NP523912-NP611140	1
Pinion Tail Brg.	55200C-55437	1
Pinion Nose Brg.	MUB7307UM	1
Pinion Seal	DT7591 (2.913x4.561)	1
Sealer	RTV Silicone	1

DRK-448		
Position	Part Number	Qty
Differential Right Brg.	567-563	1
Differential Left Brg.	NP380290-NP533133	1
Pinion Head Brg.	NP523912-NP611140	1
Pinion Tail Brg.	55200C-55437	1
Pinion Nose Brg.	WUB61307UM	1
Pinion Seal	DT7591 (2.913x4.561)	1
Sealer	RTV Silicone	1

DRK-449		
Position	Part Number	Qty
Differential Right Brg.	42381-42584	1
Differential Left Brg.	665-653	1
Pinion Head Brg.	78215C-78551	1
Pinion Tail Brg.	72212C-72487	1
Pinion Nose Brg.	MUB1308UM	1
Pinion Seal	DT0724 (2.937x5.046)	1
Sealer	RTV Silicone	1

DRK-451		
Position	Part Number	Qty
Differential Right Brg.	497-493	1
Differential Left Brg.	598-592A	1
Pinion Head Brg.	H715343-H715311	1
Pinion Tail Brg.	HM813841-HM813810	1
Pinion Nose Brg.	WUB61308UM	1
Pinion Seal	DT0724 (2.937x5.046)	1
Sealer	RTV Silicone	1

DRK-452		
Position	Part Number	Qty
Differential Right Brg.	3984-3920	1
Differential Left Brg.	594A-592A	1
Pinion Head Brg.	NP340526-NP420924	1
Pinion Tail Brg.	55200C-55437	1
Pinion Seal	DT7591 (2.913x4.561)	1
Sealer	RTV Silicone	1

DRK-453		
Position	Part Number	Qty
Differential Right Brg.	NP237087-NP049312.904A4	1
Differential Left Brg.	NP374995-NP120322.904A5	1
Pinion Head Brg.	NP478770-NP547156	1
Pinion Tail Brg.	NP846736-NP166419	1
Pinion Nose Brg.	WUB61308UM	1
Input Shaft Front Brg.	HM813844-HM813810	1
Input Shaft Rear Brg.	NP171276-NP943289	1
Input Shaft Seal & Nut Kit	DT131008K (97x162.5)	1
Sealer	RTV Silicone	1

DRK-453A		
Position	Part Number	Qty
Differential Right Brg.	140019-140020	1
Differential Left Brg.	140014-140012	1
Pinion Head Brg.	NP478770-NP547156	1
Pinion Tail Brg.	NP846736-NP166419	1
Pinion Nose Brg.	WUB61308UM	1
Input Shaft Front Brg.	HM813844-HM813810	1
Input Shaft Rear Brg.	NP171276-NP943289	1
Input Shaft Seal & Nut Kit	DT131008K (97x162.5)	1
Sealer	RTV Silicone	1

DRK-454		
Position	Part Number	Qty
Differential Right Brg.	NP374995-NP120322.904A5	1
Differential Left Brg.	NP374995-NP120322.904A5	1
Pinion Head Brg.	NP478770-NP547156	1
Pinion Tail Brg.	NP846736-NP166419	1
Input Shaft Front Brg.	HM813844-HM813810	1
Input Shaft Rear Brg.	NP171276-NP943289	1
Input Shaft Seal & Nut Kit	DT131008K (97x162.5)	1
Sealer	RTV Silicone	1

DRK-454A		
Position	Part Number	Qty
Differential Right Brg.	140014-140012	1
Differential Left Brg.	140014-140012	1
Pinion Head Brg.	NP478770-NP547156	1
Pinion Tail Brg.	NP846736-NP166419	1
Input Shaft Front Brg.	HM813844-HM813810	1
Input Shaft Rear Brg.	NP171276-NP943289	1
Input Shaft Seal & Nut Kit	DT131008K (97x162.5)	1
Sealer	RTV Silicone	1

* Not packed in kit

Differential Rebuild Kits

HD Differential

DRK-460		
Position	Part Number	Qty
Differential Right Brg.	NP894054-NP592779	1
Differential Left Brg.	NP380290-NP533133	1
Pinion Head Brg.	NP900326-NP472678	1
Pinion Tail Brg.	65237-65500	1
Input Shaft Front Brg.	F571511.RTR-F571511.LTR	1
Input Shaft Rear Brg.	29688-29620	1
Input Shaft Seal & Nut Kit	504320	1
Input Shaft V-Ring	131333	1
Input Shaft Thrust Washer	132440	1
Plug	10039186	1
Clip	90873	2
Sealer	RTV Silicone	1

DRK-461		
Position	Part Number	Qty
Differential Right Brg.	NP894054-NP592779	1
Differential Left Brg.	F580884.RTR-F580884.LTR	1
Pinion Head Brg.	NP900326-NP472678	1
Pinion Tail Brg.	65237-65500	1
Input Shaft Front Brg.	F571511.RTR-F571511.LTR	1
Input Shaft Rear Brg.	29688-29620	1
Input Shaft Seal & Nut Kit	504320	1
Input Shaft V-Ring	131333	1
Input Shaft Thrust Washer	132440	1
Plug	10039186	1
Clip	90873	2
Sealer	RTV Silicone	1

DRK-462		
Position	Part Number	Qty
Differential Right Brg.	NP894054-NP592779	1
Differential Left Brg.	NP380290-NP533133	1
Pinion Head Brg.	NP900326-NP472678	1
Pinion Tail Brg.	65237-65500	1
Input Shaft Front Brg.	NP930036-NP193660	1
Input Shaft Rear Brg.	29688-29620	1
Input Shaft Seal & Nut Kit	504321	1
Input Shaft V-Ring	131333	1
Input Shaft Thrust Washer	132440	1
Plug	10039186	1
Clip	90873	2
Sealer	RTV Silicone	1

DRK-463		
Position	Part Number	Qty
Differential Right Brg.	NP894054-NP592779	1
Differential Left Brg.	F580884.RTR-F580884.LTR	1
Pinion Head Brg.	NP900326-NP472678	1
Pinion Tail Brg.	65237-65500	1
Input Shaft Front Brg.	NP930036-NP193660	1
Input Shaft Rear Brg.	29688-29620	1
Input Shaft Seal & Nut Kit	504321	1
Input Shaft V-Ring	131333	1
Input Shaft Thrust Washer	132440	1
Plug	10039186	1
Clip	90873	2
Sealer	RTV Silicone	1

DRK-464		
Position	Part Number	Qty
Differential Right Brg.	NP894054-NP592779	1
Differential Left Brg.	NP380290-NP533133	1
Pinion Head Brg.	NP478770-NP547156	1
Pinion Tail Brg.	F589180.RTR-F571511.LTR	1
Pinion Seal & Nut Kit	504320	1
Clip	90873	2
Sealer	RTV Silicone	1

DRK-465		
Position	Part Number	Qty
Differential Right Brg.	NP894054-NP592779	1
Differential Left Brg.	NP380290-NP533133	1
Pinion Head Brg.	NP918171-NP399093	1
Pinion Tail Brg.	NP075932-NP481010	1
Pinion Seal & Nut Kit	504320	1
Plug	10029474	1
Clip	90873	2
Sealer	RTV Silicone	1

DRK-466		
Position	Part Number	Qty
Differential Right Brg.	NP894054-NP592779	1
Differential Left Brg.	F580884.RTR-F580884.LTR	1
Pinion Head Brg.	NP918171-NP399093	1
Pinion Tail Brg.	NP075932-NP481010	1
Pinion Seal & Nut Kit	504320	1
Plug	10029474	1
Clip	90873	2
Sealer	RTV Silicone	1

DRK-467		
Position	Part Number	Qty
Differential Right Brg.	10050136-10050135	1
Differential Left Brg.	10050132-10050133	1
Pinion Head Brg.	NP918171-NP399093	1
Pinion Tail Brg.	10048108-10037017	1
Pinion Nose Brg. Outer Race	10052207	1
Pinion Nose Brg. Inner Race Ratios 3.07-4.56	10054938	1
Pinion Nose Brg. Inner Race Ratios 4.78-6.14	10052208	1
Pinion Seal & Nut Kit	504320	1
Plug	10029474	1
Sealer	RTV Silicone	1

DRK-500		
Position	Part Number	Qty
Differential Right Brg.	47687-47623A	1
Differential Left Brg.	HM516448-HM516414B	1
Pinion Head Brg.	596-592A	1
Pinion Tail Brg.	H715348-H715311	1
Cross Shaft Right Brg.	H715334-H715311	1
Cross Shaft Left Brg.	H715345-H715311	1
Input Shaft Brg.	1213L	1
Inter Axle Brg.	1211	1
Input Shaft Seal	4491V (3.500x4.501)	1
Thrushaft Seal	4492V (2.750x3.543)	1
O-Ring	OR256	1
O-Ring	OR260	1
O-Ring	OR270	1
Gasket	GG3916	1
Gasket	GG3917	1
Sealer	RTV Silicone	1

DRK-501		
Position	Part Number	Qty
Differential Right Brg.	47687-47623A	1
Differential Left Brg.	HM516448-HM516414B	1
Pinion Head Brg.	6466-6420	1
Pinion Tail Brg.	H715334-H715311	1
Cross Shaft Right Brg.	H715334-H715311	1
Cross Shaft Left Brg.	H715345-H715311	1
Pinion Seal	4491V (3.500x4.501)	1
O-Ring	OR256	1
O-Ring	OR270	1
Gasket Set	BGK3902	1
Sealer	RTV Silicone	1

DRK-502		
Position	Part Number	Qty
Differential Right Brg.	47681-47623A	1
Differential Left Brg.	47681-47623AB	1
Pinion Head Brg.	5760-5735	1
Pinion Tail Brg.	49585-49520	1
Cross Shaft Right Brg.	624-612	1
Cross Shaft Left Brg.	H414249-H414211W	1
Pinion Seal	35009N (2.750x3.876)	1
Sealer	RTV Silicone	1

DRK-503		
Position	Part Number	Qty
Differential Right Brg.	47687-47623A	1
Differential Left Brg.	HM516448-HM516414B	1
Pinion Head Brg.	5760-5735	1
Pinion Tail Brg.	559-552A	1
Cross Shaft Right Brg.	621-612	1
Cross Shaft Left Brg.	H715345-H715313W	1
Pinion Seal	415991N (3.500x4.501)	1
O-Ring Set	OK205	1
Gasket Set	GT-503	1
Sealer	RTV Silicone	1

DRK-504		
Position	Part Number	Qty
Differential Right Brg.	47681-47622W	1
Differential Left Brg.	47681-47622BW	1
Pinion Head Brg.	643-632	1
Pinion Tail Brg.	559-552A	1
Cross Shaft Right Brg.	624-612	1
Cross Shaft Left Brg.	645X-634W	1
Input Shaft Brg.	310	1
Power Divider Brg.	MU1211CL	1
Inter Axle Brg.	309	1
Input Shaft Seal	415013N (3.000x4.003)	1
Thrushaft Seal	415001N (2.500x3.543)	1
Sealer	RTV Silicone	1

DRK-505		
Position	Part Number	Qty
Differential Right Brg.	47681-47622W	1
Differential Left Brg.	47681-47622BW	1
Pinion Head Brg.	643-632	1
Pinion Tail Brg.	555-552A	1
Cross Shaft Right Brg.	624-612	1
Cross Shaft Left Brg.	645X-634W	1
Input Shaft Seal	415013N (3.000x4.003)	1
Thrushaft Seal	415001N (2.500x3.543)	1
Sealer	RTV Silicone	1

DRK-506		
Position	Part Number	Qty
Differential Right Brg.	77375-77676W	1
Differential Left Brg.	77375-77676BW	1
Pinion Head Brg.	6460-6420	1
Pinion Tail Brg.	65225-65550	1
Cross Shaft Right Brg.	835-833W	1
Cross Shaft Left Brg.	6576-6535W	1
Pinion Seal	415156N (3.125x4.125)	1
Sealer	RTV Silicone	1

DRK-507		
Position	Part Number	Qty
Differential Right Brg.	47687-47623A	1
Differential Left Brg.	HM516448-HM516414B	1
Pinion Head Brg.	HM518437-HM518411	1
Pinion Tail Brg.	495S-492A	1
Cross Shaft Right Brg.	621-612	1
Cross Shaft Left Brg.	HM518437-HM518411W	1
Input Shaft Brg.	1213L	1
Thrushaft Brg.	1211	1
Input Shaft Seal	4491V (3.500x4.501)	1
Thrushaft Seal	4492V (2.750x3.543)	1
Oil Port Seal	21136471	1
O-Ring Set	OK507	1
Sealer	RTV Silicone	1

Differential Rebuild Kits

HD Differential

DRK-508		
Position	Part Number	Qty
Differential Right Brg.	47687-47623A	1
Differential Left Brg.	HM516448-HM516414B	1
Pinion Head Brg.	HM518437-HM518411	1
Pinion Tail Brg.	495S-492A	1
Cross Shaft Right Brg.	621-612	1
Cross Shaft Left Brg.	HM518437-HM518411W	1
Pinion Seal	21126859	1
Oil Port Seal	21136471	1
O-Ring Set	OK508	1
Sealer	RTV Silicone	1

DRK-600		
Position	Part Number	Qty
Differential Right Brg.	495-493	1
Differential Left Brg.	495-493	1
Pinion Tail Brg.	66212-66462	1
Pinion Head Brg.	72225C-72487	1
Pinion Seal	35009N (2.750x3.876)	1
Pinion Nose Brg.	MUB1307UM	1
Sealer	RTV Silicone	1

DRK-601		
Position	Part Number	Qty
Differential Right Brg.	NP547288-NP478159	1
Differential Left Brg.	33214	1
Pinion Head Brg.	NP635208-NP160764	1
Pinion Tail Brg.	NP942787-NP378089	1
Pinion Seal	DTQ2591 (3.250x5.500) ⁵⁹	1
Sealer	RTV Silicone	1

DRK-650F		
Position	Part Number	Qty
Differential Right Brg.	32022X	1
Differential Left Brg.	32017X	1
Pinion Head Brg.	805096	1
Pinion Tail Brg.	805097	1
Input Shaft Front Brg.	JM511945-3920	1
Input Shaft Rear Brg.	JLM714149-JLM714110	1
Output Shaft Brg.	LM104949-JLM104910 •	2
Helical Gear Thrust Brg.	ZN1213	1
Helical Gear Needle Brg.	ZN1212	2
Input Shaft Seal	DT76646 (3.250x4.250)	1
Thrushaft Seal	DT76746 (3.000x3.750)	1
Sealer	RTV Silicone	1

DRK-650FA		
Position	Part Number	Qty
Differential Right Brg.	32022X	1
Differential Left Brg.	32017X	1
Pinion Head Brg.	805096	1
Pinion Tail Brg.	805097	1
Input Shaft Front Brg.	32213	1
Input Shaft Rear Brg.	JLM714149-JLM714110	1
Output Shaft Brg.	LM104949-JLM104910 •	2
Helical Gear Thrust Brg.	ZN1213	1
Helical Gear Needle Brg.	ZN1212	2
Input Shaft Seal	DT70746 (3.250x5.550)	1
Thrushaft Seal	DT76746 (3.000x3.750)	1
Sealer	RTV Silicone	1

DRK-650R		
Position	Part Number	Qty
Differential Right Brg.	32022X	1
Differential Left Brg.	32017X	1
Pinion Head Brg.	805096	1
Pinion Tail Brg.	805097	1
Pinion Seal	DT76246 (3.000x5.500)	1
Sealer	RTV Silicone	1

DRK-651		
Position	Part Number	Qty
Differential Right Brg.	32020X	1
Differential Left Brg.	32014X	1
Pinion Head Brg.	805050	1
Pinion Tail Brg.	805050	1
Pinion Seal	DT78047 (78x126)	1
Sealer	RTV Silicone	1

DRK-700		
Position	Part Number	Qty
Differential Right Brg.	388A-382	1
Differential Left Brg.	388A-382	1
Pinion Head and Tail Brg.	A1011(55197 Assy 90030) ⁹	1
Pinion Nose Brg.	MR5205EL	1
Pinion Seal	411330N (2.598x3.481)	1
Felt Seal	5M89 (528)	1
Sealer	RTV Silicone	1

DRK-701		
Position	Part Number	Qty
Differential Right Brg.	28990-28919	1
Differential Left Brg.	28990-28919	1
Pinion Head Brg.	5310WA	1
Pinion Tail Brg.	MU1306TDM	1
Pinion Seal	411330N (2.598x3.481)	1
Felt Seal	5M89 (528)	1

DRK-702		
Position	Part Number	Qty
Differential Right Brg.	KR12051Z	1
Differential Left Brg.	KR12051Z	1
Pinion Head and Tail Brg.	A1011(55197 Assy 90030) ⁹	1
Pinion Nose Brg.	MR5206EL	1
Pinion Seal	411330N (2.598x3.481)	1
Felt Seal	5M89 (528)	1
Sealer	RTV Silicone	1

DRK-801		
Position	Part Number	Qty
Differential Right Brg.	594-592A	1
Differential Left Brg.	594-592A	1
Pinion Head Brg.	31315	1
Pinion Tail Brg.	HM911245-HM911210	1
Pinion Nose Brg.	MU1308UM	1
Input Shaft Front Brg.	30214	1
Input Shaft Rear Brg.	JLM714149-JLM714110	1
Input Shaft Front Needle Brg.	183788	1
Input Shaft Rear Needle Brg.	181632	1
Output Shaft Brg.	310	1
Input Shaft Seal	948642	1
Thrushaft Seal	948448	1

DRK-802		
Position	Part Number	Qty
Differential Right Brg.	594-592A	1
Differential Left Brg.	594-592A	1
Pinion Head Brg.	H913843-H913810	1
Pinion Tail Brg.	HM911245-HM911210	1
Pinion Nose Brg.	MU1308UM	1
Pinion Seal	1522895	1

DRK-900F		
Position	Part Number	Qty
Differential Right Brg.	496-493	1
Differential Left Brg.	497-493 ¹⁰	1
Pinion Head Brg.	72200C-72487	1
Pinion Tail Brg.	72200C-72487	1
Pinion Nose Brg.	RU1570UM	1
Drive Gear Front Brg.	29675-29630	1
Drive Gear Rear Brg.	29675-29630	1
Idler Gear Cone	31597	2
Idler Gear Cup	31520 •	2
Input Shaft Brg.	211B	1
Thrushaft Brg.	LM603049-LM603011 •	2
Input Shaft Seal	35949N (2.937x3.937)	1
Thrushaft Seal	475322N (2.750x3.543) •	1
Sealer	RTV Silicone	1

DRK-900FA		
Position	Part Number	Qty
Differential Right Brg.	496-493	1
Differential Left Brg.	497-493 ¹⁰	1
Pinion Head Brg.	72200C-72487	1
Pinion Tail Brg.	72200C-72487	1
Pinion Nose Brg.	RU1570UM	1
Drive Gear Front Brg.	29675-29630	1
Drive Gear Rear Brg.	29675-29630	1
Idler Gear Brg.	31597-31520	2
Input Shaft Brg.	211B	1
Thrushaft Brg.	LM603049-LM603011	2
Input Shaft Seal	35949N (2.937x3.937)	1
Thrushaft Seal	475322N (2.750x3.543) •	1
Sealer	RTV Silicone	1

DRK-1910		
Position	Part Number	Qty
Differential Right Brg.	683-672	1
Differential Left Brg.	683-672	1
Pinion Head Brg.	42350-42584	1
Pinion Tail Brg.	42350-42584	1
Cross Shaft Left Brg.	MU1221UM	1
Cross Shaft Right Brg.	641-632	2
Rear Pinion Brg.	MR1213EL	1
Pinion Seal	415086N (3.000x4.249)	2
Sealer	RTV Silicone	1

DRK-1918		
Position	Part Number	Qty
Differential Right Brg.	33281-33472	1
Differential Left Brg.	33281-33472	1
Pinion Head Brg.	55187C-55443	1
Pinion Tail Brg.	55176C-55443	1
Pinion Nose Brg.	RU1570UM	1
Pinion Seal	410101N (2.375x3.350)	1
Sealer	RTV Silicone	1

DRK-1925		
Position	Part Number	Qty
Differential Right Brg.	47686-47620	1
Differential Left Brg.	47686-47620	1
Pinion Head Brg.	H715345-H715311	1
Pinion Tail Brg.	HM807046-HM807010	1
Cross Shaft Right Brg.	65225-65500	1
Cross Shaft Left Brg.	65225-65500	1
Pinion Seal	476283N (2.750x4.249)	1
Sealer	RTV Silicone	1

DRK-1925A		
Position	Part Number	Qty
Differential Right Brg.	HM516449C-HM516410	1
Differential Left Brg.	HM516449C-HM516410	1
Pinion Head Brg.	H715345-H715311	1
Pinion Tail Brg.	HM807046-HM807010	1
Cross Shaft Right Brg.	65225-65500	1
Cross Shaft Left Brg.	65225-65500	1
Pinion Seal	476283N (2.750x4.249)	1
Sealer	RTV Silicone	1

DRK-1926		
Position	Part Number	Qty
Differential Right Brg.	34301-34500	1
Differential Left Brg.	42688-42620	1
Pinion Head Brg.	55200C-55437	1
Pinion Tail Brg.	55187C-55437	1
Pinion Nose Brg.	RU1570UM	1
Pinion Seal	35009N (2.750x3.876)	1
Sealer	RTV Silicone	1

⁹Replace Entire Assembly
¹⁰Use 496-493 for ratios above 4.63:1

⁵⁹Order DTA2731 for updated seal.
 • Not packed in kit

Differential Rebuild Kits



HD Differential

DRK-1984		
Position	Part Number	Qty
Differential Right Brg.	47890-47820	1
Differential Left Brg.	47890-47820	1
Pinion Head Brg.	H715343-H715311	1
Pinion Tail Brg.	H715343-H715311	1
Pinion Nose Brg.	MU1308UM	1
Input Shaft Front Brg.	3767-3720	1
Input Shaft Rear Brg.	3775-3720	1
Idler Gear Front Brg.	49585-49520	1
Idler Gear Rear Brg.	HM807046-HM807010	1
Input Shaft Seal	4564V (2.748x3.876)	1
Sealer	RTV Silicone	1

DRK-2108		
Position	Part Number	Qty
Differential Right Brg.	687-672	1
Differential Left Brg.	687-672	1
Pinion Head Brg.	HM813844-HM813810	1
Pinion Tail Brg.	H715341-H715311	1
Pinion Nose Brg.	MU5208UM	1
Pinion Seal	6612S (3.500x5.250)	1
Sealer	RTV Silicone	1

DRK-2111		
Position	Part Number	Qty
Differential Right Brg.	395-394A	1
Differential Left Brg.	395-394A	1
Pinion Head Brg.	M903345-M903310	1
Pinion Tail Brg.	44143-44348	1
Pinion Nose Brg.	MU1305TDM	1
Pinion Seal	410308 (2.125x3.061)	1
Pinion Seal	475080N (2.125x3.623)	1
Sealer	RTV Silicone	1

DRK-4095		
Position	Part Number	Qty
Differential Right Brg.	47890-47820	1
Differential Left Brg.	47890-47820	1
Pinion Head Brg.	H715343-H715311	1
Pinion Tail Brg.	65237-65500	1
Input Shaft Front Brg.	JH211749-JH211710	1
Input Shaft Rear Brg.	JLM714149-JLM714110	1
Output Shaft Brg.	LM104949-JLM104910	2
Input Shaft Seal	416470N (3.250x4.249)	1
Thrushaft Seal	4492V (2.750x3.543)	1
Sealer	RTV Silicone	1

DRK-4100		
Position	Part Number	Qty
Differential Right Brg.	47890-47820	1
Differential Left Brg.	47890-47820	1
Pinion Head Brg.	H715343-H715311	1
Pinion Tail Brg.	65237-65500	1
Input Shaft Front Brg.	JH211749-JH211710	1
Input Shaft Rear Brg.	JLM714149-JLM714110	1
Thrushaft Brg.	210	1
Input Shaft Seal	416470N (3.250x4.249)	1
Thrushaft Seal	475322N (2.750x3.543)	1
O-Ring	5X591	1
Sealer	RTV Silicone	1
Threadlocker	TL1	1

DRK-4105		
Position	Part Number	Qty
Differential Right Brg.	47890-47820	1
Differential Left Brg.	47890-47820	1
Pinion Head Brg.	H715343-H715311	1
Pinion Tail Brg.	H715334-H715311	1
Pinion Nose Brg.	MUB1308UM	1
Pinion Seal	4876N (2.748x5.500)	1
Sealer	RTV Silicone	1

DRK-4125		
Position	Part Number	Qty
Differential Right Brg.	598-592A	1
Differential Left Brg.	52387-52618	1
Pinion Head Brg.	78250AC-78551	1
Pinion Tail Brg.	78250AC-78551	1
Pinion Nose Brg.	MUC1309UM	1
Input Shaft Front Brg.	HM813841-HM813810	1
Input Shaft Rear Brg.	JM515649-JM515610	1
Thrushaft Brg.	385A-382A	2
Oil Pump Idler Gear Brg.	5204K	1
Input Shaft Seal	416470N (3.250x4.249)	1
Thrushaft Seal	415013N (3.000x4.003)	1
Sealer	RTV Silicone	1

DRK-4130		
Position	Part Number	Qty
Differential Right Brg.	598-592A	1
Differential Left Brg.	52387-52618	1
Pinion Head Brg.	H715343-H715311	1
Pinion Tail Brg.	H715334-H715311	1
Pinion Nose Brg.	MUC1309UM	1
Pinion Seal	415086N (3.000x4.249)	1
Sealer	RTV Silicone	1

DRK-4135		
Position	Part Number	Qty
Differential Right Brg.	598-592A	1
Differential Left Brg.	52387-52618	1
Pinion Head Brg.	78250AC-78551	1
Pinion Tail Brg.	78250AC-78551	1
Pinion Nose Brg.	MUB1309UM	1
Input Shaft Front Brg.	HM813844-HM813810	1
Input Shaft Rear Brg.	JM515649-JM515610	1
Thrushaft Brg.	385A-382A	2
Oil Pump Idler Gear Brg.	LM11949-90013	1
Input Shaft Seal	416470N (3.250x4.249)	1
Thrushaft Seal	415013N (3.000x4.003)	1
Sealer	RTV Silicone	1

DRK-4140		
Position	Part Number	Qty
Differential Right Brg.	598-592A	1
Differential Left Brg.	52387-52618	1
Pinion Head Brg.	78250AC-78551	1
Pinion Tail Brg.	78250AC-78551	1
Pinion Nose Brg.	MUB1309UM	1
Input Shaft Front Brg.	HM813844-HM813810	1
Input Shaft Rear Brg.	JM515649-JM515610	1
Thrushaft Brg.	385A-382A	2
Oil Pump Idler Gear Brg.	LM11949-90013	1
Input Shaft Seal	DTR2592 (3.250x4.250) ⁵⁶	1
Thrushaft Seal	415013N (3.000x4.003)	1
Sealer	RTV Silicone	1

DRK-4145		
Position	Part Number	Qty
Differential Right Brg.	598-592A	1
Differential Left Brg.	52387-52618	1
Pinion Head Brg.	78250AC-78551	1
Pinion Tail Brg.	78250AC-78551	1
Pinion Nose Brg.	MUC1309UM	1
Input Shaft Front Brg.	HM813844-HM813810	1
Input Shaft Rear Brg.	JM515649-JM515610	1
Thrushaft Brg.	385A-382A	2
Oil Pump Idler Gear Brg.	LM11949-90013	1
Input Shaft Seal	416470N (3.250x4.249)	1
Thrushaft Seal	415013N (3.000x4.003)	1
Sealer	RTV Silicone	1

DRK-4150		
Position	Part Number	Qty
Differential Right Brg.	598-592A	1
Differential Left Brg.	52387-52618	1
Pinion Head Brg.	H715343-H715311	1
Pinion Tail Brg.	H715334-H715311	1
Pinion Nose Brg.	MUB1309TM	1
Pinion Seal	3143N (3.000x5.500)	1
Sealer	RTV Silicone	1

DRK-4155		
Position	Part Number	Qty
Differential Right Brg.	598-592A	1
Differential Left Brg.	52387-52618	1
Pinion Head Brg.	78250AC-78551	1
Pinion Tail Brg.	78250AC-78551	1
Pinion Nose Brg.	MUB1309UM	1
Input Shaft Front Brg.	496-493	1
Input Shaft Rear Brg.	29685-29620	1
Input Shaft Seal	DTP2590 (3.000x3.750) ⁵⁷	1
Sealer	RTV Silicone	1

DRK-4155A		
Position	Part Number	Qty
Differential Right Brg.	598-592A	1
Differential Left Brg.	52387-52618	1
Pinion Head Brg.	78250AC-78551	1
Pinion Tail Brg.	78250AC-78551	1
Pinion Nose Brg.	MUC1309UM	1
Input Shaft Front Brg.	496-493	1
Input Shaft Rear Brg.	29685-29620	1
Input Shaft Seal	DTP2590 (3.000x3.750) ⁵⁷	1
Sealer	RTV Silicone	1

DRK-4180		
Position	Part Number	Qty
Differential Right Brg.	581-572	1
Differential Left Brg.	581-572	1
Pinion Head Brg.	42350-42584	1
Pinion Tail Brg.	497-493	1
Pinion Nose Brg.	MR1212EL	1
Cross Shaft Right Brg.	66225-66462	2
Cross Shaft Left Brg.	MU1218TDHDM	1
Cross Shaft Left Brg.	5211W	1
Thrushaft Brg.	210	1
Input Shaft Seal	475012N (3.937x4.003)	1
Thrushaft Seal	475322N (2.750x3.543)	1
Sealer	RTV Silicone	1

DRK-4190		
Position	Part Number	Qty
Differential Right Brg.	HM516449C-HM516410	1
Differential Left Brg.	HM516449C-HM516410	1
Pinion Head Brg.	42350-42584	1
Pinion Tail Brg.	497-493	1
Pinion Nose Brg.	MR1213EL	1
Cross Shaft Right Brg.	66225-66462	2
Cross Shaft Left Brg.	MU1218TDHDM	1
Input Shaft Seal	3591 (2.750x5.501)	1
Thrushaft Seal	415272N (2.750x4.003)	1
Sealer	RTV Silicone	1

DRK-4220		
Position	Part Number	Qty
Differential Right Brg.	HM516449C-HM516410	1
Differential Left Brg.	HM516449C-HM516410	1
Pinion Head Brg.	42350-42584	1
Pinion Tail Brg.	497-493	1
Pinion Nose Brg.	MR1213EL	1
Cross Shaft Right Brg.	66225-66462	2
Cross Shaft Left Brg.	MU1218TDHDM	1
Input Shaft Brg.	394A-392	2
Thrushaft Brg.	385A-382A	2
Input Shaft Seal	415137 (3.250x4.499)	1
Thrushaft Seal	415272N (2.750x4.003)	1
Sealer	RTV Silicone	1

Differential Rebuild Kits

HD Differential

DRK-4245		
Position	Part Number	Qty
Differential Right Brg.	HM516449C-HM516410	1
Differential Left Brg.	HM516449C-HM516410	1
Pinion Head Brg.	42350-42584	1
Pinion Tail Brg.	497-493	1
Pinion Nose Brg.	MR1213EL	1
Cross Shaft Right Brg.	641-632	2
Cross Shaft Left Brg.	MU1221UM	1
Input Shaft Brg.	387A-382A	2
Thrushaft Brg.	210	1
Input Shaft Seal	415086N (3.000x4.249)	1
Thrushaft Seal	415004 (2.750x3.751)	1
Sealer	RTV Silicone	1

DRK-4255		
Position	Part Number	Qty
Differential Right Brg.	683-672	1
Differential Left Brg.	683-672	1
Pinion Head Brg.	42350-42584	1
Pinion Tail Brg.	42350-42584	1
Pinion Nose Brg.	MR1213EL	1
Cross Shaft Right Brg.	641-632	2
Cross Shaft Left Brg.	MU1221UM	1
Input Shaft Brg.	5212W	1
Thrushaft Brg.	212	1
Input Shaft Seal	415086N (3.000x4.249)	1
Thrushaft Seal	415004 (2.750x3.751)	1
Sealer	RTV Silicone	1

DRK-4260		
Position	Part Number	Qty
Differential Right Brg.	683-672	1
Differential Left Brg.	683-672	1
Pinion Head Brg.	42350-42584	1
Pinion Tail Brg.	42350-42584	1
Pinion Nose Brg.	MR1213EL	1
Cross Shaft Right Brg.	641-632	2
Cross Shaft Left Brg.	MU1221UM	1
Input Shaft Brg.	394A-392	2
Thrushaft Brg.	385A-382A	2
Input Shaft Seal	415137 (3.250x4.499)	1
Thrushaft Seal	415272N (2.750x4.003)	1
Sealer	RTV Silicone	1

DRK-4270		
Position	Part Number	Qty
Differential Right Brg.	683-672	1
Differential Left Brg.	683-672	1
Pinion Head Brg.	42350-42584	1
Pinion Tail Brg.	497-493	1
Pinion Nose Brg.	MR1213EL	1
Cross Shaft Right Brg.	641-632	2
Cross Shaft Left Brg.	MU1221UM	1
Input Shaft Seal	3591 (2.750x5.501)	1
Thrushaft Seal	415272N (2.750x4.003)	1
Sealer	RTV Silicone	1

DRK-4290		
Position	Part Number	Qty
Differential Right Brg.	3994-JM511910	1
Differential Left Brg.	3994-JM511910	1
Pinion Head Brg.	HM903244-HM903210	1
Pinion Tail Brg.	44143-44348	1
Pinion Nose Brg.	MU1305TDM	1
Pinion Seal	410308 (2.125x3.061)	1
Sealer	RTV Silicone	1

DRK-4295		
Position	Part Number	Qty
Differential Right Brg.	3994-JM511910	1
Differential Left Brg.	3994-JM511910	1
Pinion Head Brg.	HM903244-HM903216	1
Pinion Tail Brg.	44143-44348	1
Pinion Nose Brg.	MU1305TDM	1
Pinion Seal	410308 (2.125x3.061)	1
Sealer	RTV Silicone	1

DRK-4300		
Position	Part Number	Qty
Differential Right Brg.	3994-JM511910	1
Differential Left Brg.	3994-JM511910	1
Pinion Head Brg.	HM803146-HM803110	1
Pinion Tail Brg.	44143-44348	1
Pinion Nose Brg.	MU1305TDM	1
Pinion Seal	475080N (2.125x3.623)	1
Sealer	RTV Silicone	1
Threadlocker	TL1	1

DRK-4310		
Position	Part Number	Qty
Differential Right Brg.	3994-JM511910	1
Differential Left Brg.	3994-JM511910	1
Pinion Head Brg.	HM903249A-HM903216	1
Pinion Tail Brg.	HM903249A-HM903216	1
Pinion Nose Brg.	MUB1305UDM	1
Pinion Seal	470737N (2.250x3.189)	1
Sealer	RTV Silicone	1
Threadlocker	TL1	1

DRK-4315		
Position	Part Number	Qty
Differential Right Brg.	3994-JM511910	1
Differential Left Brg.	3994-JM511910	1
Pinion Head Brg.	HM803149-HM803110	1
Pinion Tail Brg.	HM803149-HM803110	1
Pinion Nose Brg.	MUB1305UDM	1
Pinion Seal	475234N (2.250x3.623)	1
Sealer	RTV Silicone	1
Threadlocker	TL1	1

DRK-4325		
Position	Part Number	Qty
Differential Right Brg.	33275-33472	1
Differential Left Brg.	47490-47420	1
Pinion Head Brg.	HM807044-HM807010	1
Pinion Tail Brg.	M804049-M804010	1
Pinion Nose Brg.	RU1570UM	1
Pinion Seal	470574N (2.375x3.251)	1
Sealer	RTV Silicone	1

DRK-4330		
Position	Part Number	Qty
Differential Right Brg.	JLM714149-JLM714110	1
Differential Left Brg.	JLM714149-JLM714110	1
Pinion Head Brg.	55200C-55437	1
Pinion Tail Brg.	HM804846-HM804810	1
Pinion Nose Brg.	RU1570UM	1
Pinion Seal	DTD1928 (2.500x3.876)	1
Sealer	RTV Silicone	1

DRK-4345		
Position	Part Number	Qty
Differential Right Brg.	JP10049-JP10010A	1
Differential Left Brg.	JM716649-JM716610	1
Pinion Head Brg.	55200C-55437	1
Pinion Tail Brg.	M804049-M804010	1
Pinion Nose Brg.	RU1570UM	1
Pinion Seal	DTD1928 (2.500x3.876)	1
Sealer	RTV Silicone	1

DRK-4350		
Position	Part Number	Qty
Differential Right Brg.	JM716649-JM716610	1
Differential Left Brg.	JM716649-JM716610	1
Pinion Head Brg.	55200C-55437	1
Pinion Tail Brg.	M804049-M804010	1
Pinion Nose Brg.	RU1570UM	1
Pinion Seal	DTD1928 (2.500x3.876)	1
Sealer	RTV Silicone	1

DRK-4355		
Position	Part Number	Qty
Differential Right Brg.	JM716649-JM716610	1
Differential Left Brg.	JM716649-JM716610	1
Pinion Head Brg.	H715334-H715311	1
Pinion Tail Brg.	72212C-72487	1
Input Shaft Front Brg.	JM511946-JM511910	1
Input Shaft Rear Brg.	JLM710949-JLM710910	1
Output Shaft Brg.	LM603049-LM603011	2
Input Shaft Seal	4561V (2.503x3.428)	1
Thrushaft Seal	DTP2590 (3.000x3.750) ⁵⁷	1
O-Ring	5X1034	1
Sealer	RTV Silicone	1

DRK-4356		
Position	Part Number	Qty
Differential Right Brg.	JM716649-JM716610	1
Differential Left Brg.	JM716649-JM716610	1
Pinion Head Brg.	H715334-H715311	1
Pinion Tail Brg.	72212C-72487	1
Input Shaft Front Brg.	JM511945-JM511910	1
Input Shaft Rear Brg.	JLM710949-JLM710910	1
Output Shaft Brg.	LM603049-LM603011	2
Input Shaft Seal	4561V (2.503x3.428)	1
Thrushaft Seal	DTP2590 (3.000x3.750) ⁵⁷	1
O-Ring	5X1034	1
Sealer	RTV Silicone	1

DRK-4360		
Position	Part Number	Qty
Differential Right Brg.	JLM714149-JLM714110	1
Differential Left Brg.	JP10049-JP10010A	1
Pinion Head Brg.	55200C-55437	1
Pinion Tail Brg.	M804049-M804010	1
Pinion Nose Brg.	MUB1305UDM	1
Pinion Seal	DTD1928 (2.500x3.876)	1
Threadlocker	TL1	1
Sealer	RTV Silicone	1

DRK-4375		
Position	Part Number	Qty
Differential Right Brg.	JM716649-JM716610	1
Differential Left Brg.	JP12049-JP12010	1
Pinion Head Brg.	78225C-78551	1
Pinion Tail Brg.	55206C-55437	1
Pinion Nose Brg.	MUB1307UBM	1
Pinion Seal	DTN2588 (3.000x4.937) ⁵⁸	1
Sealer	RTV Silicone	1
Threadlocker	TL1	1

DRK-4390		
Position	Part Number	Qty
Differential Right Brg.	JM716649-JM716610	1
Differential Left Brg.	JP10049-JP10010A	1
Pinion Head Brg.	72212C-72487	1
Pinion Tail Brg.	55206C-55437	1
Pinion Nose Brg.	RU1570UM	1
Pinion Seal	DTN2588 (3.000x4.937) ⁵⁸	1
Threadlocker	TL1	1
Silicone	RTV Silicone	1

DRK-4395		
Position	Part Number	Qty
Differential Right Brg.	JM716649-JM716610	1
Differential Left Brg.	JM716649-JM716610	1
Pinion Head Brg.	H715334-H715311	1
Pinion Tail Brg.	72212C-72487	1
Input Shaft Front Brg.	JM511946-3920	1
Input Shaft Rear Brg.	JLM710949-JLM710910	1
Output Shaft Brg.	LM104949-JLM104910	2
Input Shaft Seal	DTP2590 (3.000x3.750) ⁵⁷	1
Thrushaft Seal	DTP2590 (3.000x3.750) ⁵⁷	1
O-Ring	5X1034	2
Threadlocker	TL1	1
Sealer	RTV Silicone	1

⁵⁷Order DTY2729 for updated seal

⁵⁸Order DTZ2730 for updated seal

Differential Rebuild Kits

HD Differential

DRK-4396		
Position	Part Number	Qty
Differential Right Brg.	JM716649-JM716610	1
Differential Left Brg.	JM716649-JM716610	1
Pinion Head Brg.	H715334-H715311	1
Pinion Tail Brg.	72212C-72487	1
Input Shaft Front Brg.	JM511945-3920	1
Input Shaft Rear Brg.	JLM710949-JLM710910	1
Output Shaft Brg.	LM104949-JLM104910	2
Input Shaft Seal	DTR2592 (3.250x4.250) ⁵⁶	1
Thrushaft Seal	DTP2590 (3.000x3.750) ⁵⁷	1
O-Ring	5X1034	2
Threadlocker	TL1	1
Sealer	RTV Silicone	1

DRK-4405		
Position	Part Number	Qty
Differential Right Brg.	JM716649-JM716610	1
Differential Left Brg.	JP10049-JP10010A	1
Pinion Head Brg.	H715334-H715311	1
Pinion Tail Brg.	72212C-72487	1
Input Shaft Front Brg.	JM511946-JM511910	1
Input Shaft Front Cup - New	3920	1
Input Shaft Rear Brg.	JLM710949-JLM710910	1
Output Shaft Brg.	LM104949-JLM104910	2
Input Shaft Seal	DTR2592 (3.250x4.250) ⁵⁶	1
Thrushaft Seal	DTP2590 (3.000x3.750) ⁵⁷	1
Threadlocker	TL1	1
O-Ring	5X1034	2
Sealer	RTV Silicone	1

DRK-4406		
Position	Part Number	Qty
Differential Right Brg.	JM716649-JM716610	1
Differential Left Brg.	JP10049-JP10010A	1
Pinion Head Brg.	H715334-H715311	1
Pinion Tail Brg.	72212C-72487	1
Input Shaft Front Brg.	JM511945-3920	1
Input Shaft Rear Brg.	JLM710949-JLM710910	1
Output Shaft Brg.	LM104949-JLM104910	2
Input Shaft Seal	DTR2592 (3.250x4.250) ⁵⁶	1
Thrushaft Seal	DTP2590 (3.000x3.750) ⁵⁷	1
O-Ring	5X1034	2
Threadlocker	TL1	1
Sealer	RTV Silicone	1

DRK-4415		
Position	Part Number	Qty
Differential Right Brg.	32021X	1
Differential Left Brg.	32021X	1
Pinion Head Brg.	9278-9220	1
Pinion Tail Brg.	HM813843-HM813810	1
Pinion Nose Brg.	A11228-P1004	1
Pinion Seal	DTQ2591 (3.250x5.500) ⁵⁹	1
Threadlocker	TL1	1
Sealer	RTV Silicone	1

DRK-4420		
Position	Part Number	Qty
Differential Right Brg.	32021X	1
Differential Left Brg.	32021X	1
Pinion Head Brg.	H715334-H715311	1
Pinion Tail Brg.	65237-65500	1
Input Shaft Front Brg.	HM813843-HM813810	1
Input Shaft Rear Brg.	JLM714149-JLM714110	1
Output Shaft Brg.	LM104949-JLM104910	2
Pinion Seal	DTR2592 (3.250x4.250) ⁵⁶	1
Thrushaft Seal	DTP2590 (3.000x3.750)	1
O-Ring	5X1034	2
Threadlocker	TL1	1
Sealer	RTV Silicone	1

DRK-4422		
Position	Part Number	Qty
Differential Right Brg.	594A-592A	1
Differential Left Brg.	594A-592A	1
Pinion Head Brg.	H715343-H715311	1
Pinion Tail Brg.	65237-65500	1
Input Shaft Front Brg.	HM813843-HM813810	1
Input Shaft Rear Brg.	JLM714149-JLM714110	1
Output Shaft Brg.	LM104949-JLM104910	2
Pinion Seal	DTR2592 (3.250x4.250) ⁵⁶	1
Thrushaft Seal	DTP2590 (3.000x3.750)	1
O-Ring	5X1034	1
Threadlocker	TL1	1
Sealer	RTV Silicone	1

DRK-4423		
Position	Part Number	Qty
Differential Right Brg.	594A-592A	1
Differential Left Brg.	52400-52618	1
Pinion Head Brg.	H715343-H715311	1
Pinion Tail Brg.	65237-65500	1
Input Shaft Front Brg.	HM813843-HM813810	1
Input Shaft Rear Brg.	JLM714149-JLM714110	1
Output Shaft Brg.	LM104949-JLM104910	2
Pinion Seal	DTR2592 (3.250x4.250) ⁵⁶	1
Thrushaft Seal	DTP2590 (3.000x3.750)	1
O-Ring	5X1034	1
Threadlocker	TL1	1
Sealer	RTV Silicone	1

DRK-4426		
Position	Part Number	Qty
Differential Right Brg.	594A-592A	1
Differential Left Brg.	594A-592A	1
Pinion Head Brg.	9278-9220	1
Pinion Tail Brg.	HM813843-HM813810	1
Pinion Nose Brg.	RU9008UM	1
Pinion Seal	DTQ2591 (3.250x5.500) ⁵⁹	1
Threadlocker	TL1	1
Sealer	RTV Silicone	1

DRK-4428		
Position	Part Number	Qty
Differential Right Brg.	594A-592A	1
Differential Left Brg.	52400-52618	1
Pinion Head Brg.	9278-9220	1
Pinion Tail Brg.	HM813843-HM813810	1
Pinion Nose Brg.	RU9008UM	1
Pinion Seal	DTQ2591 (3.250x5.500) ⁵⁹	1
Threadlocker	TL1	1
Sealer	RTV Silicone	1

DRK-4435		
Position	Part Number	Qty
Differential Right Brg.	64450-64700	1
Differential Left Brg.	JHM720249-JHM720210	1
Pinion Head Brg.	9278-9220	1
Pinion Tail Brg.	H715334-H715311	1
Pinion Nose Brg.	MUB7309UM	1
Pinion Seal	DTQ2591 (3.250x5.500) ⁵⁹	1
Threadlocker	TL1	1
Sealer	RTV Silicone	1

DRK-4436		
Position	Part Number	Qty
Differential Right Brg.	64450-64700	1
Differential Left Brg.	JHM720249-JHM720210	1
Pinion Head Brg.	9278-9220	1
Pinion Tail Brg.	H715334-H715311	1
Pinion Nose Brg.	MUC1309UM	1
Pinion Seal	DTQ2591 (3.250x5.500) ⁵⁹	1
Threadlocker	TL1	1
Sealer	RTV Silicone	1

DRK-4437		
Position	Part Number	Qty
Differential Right Brg.	JM822049-JM822010	1
Differential Left Brg.	NP579116-NP022042	1
Pinion Head Brg.	9278-9220	1
Pinion Tail Brg.	H715334-H715311	1
Pinion Nose Brg.	MUB7309UM	1
Pinion Seal	DTQ2591 (3.250x5.500) ⁵⁹	1
Sealer	RTV Silicone	1
Threadlocker	TL1	1

DRK-4438		
Position	Part Number	Qty
Differential Right Brg.	JM822049-JM822010	1
Differential Left Brg.	NP579116-NP022042	1
Pinion Head Brg.	9278-9220	1
Pinion Tail Brg.	H715334-H715311	1
Pinion Nose Brg.	MUC1309UM	1
Pinion Seal	DTQ2591 (3.250x5.500) ⁵⁹	1
Sealer	RTV Silicone	1

DRK-4440		
Position	Part Number	Qty
Differential Right Brg.	NP928171-NP718759	1
Differential Left Brg.	52387-52618	1
Pinion Head Brg.	78250AC-78551	1
Pinion Tail Brg.	78250AC-78551	1
Pinion Nose Brg.	MRB7309GEXR	1
Pinion Nose Brg.	MRC7309	1
Input Shaft Brg.	HM813844-HM813810	1
Rear Side Gear Brg.	JM515649-JM515610	1
Output Shaft Brg.	385A-382A	2
Oil Pump Idler Gear Brg.	LM11949-90013	1
Input Shaft Seal	DTR2592 (3.250x4.250) ⁵⁶	1
Thrushaft Seal	415013N (3.000x4.003)	1
Snap Ring	1229T4076	1
Sealer	RTV Silicone	1

DRK-4441		
Position	Part Number	Qty
Differential Right Brg.	NP928171-NP718759	1
Differential Left Brg.	52387-52618	1
Pinion Head Brg.	78250AC-78551	1
Pinion Tail Brg.	78250AC-78551	1
Pinion Nose Brg.	MUB7309UM	1
Input Shaft Brg.	HM813844-HM813810	1
Rear Side Gear Brg.	JM515649-JM515610	1
Output Shaft Brg.	385A-382A	2
Oil Pump Idler Gear Brg.	LM11949-90013	1
Input Shaft Seal	DTR2592 (3.250x4.250) ⁵⁶	1
Thrushaft Seal	415013N (3.000x4.003)	1
Snap Ring	1229L1624	1
Sealer	RTV Silicone	1

DRK-4442		
Position	Part Number	Qty
Differential Right Brg.	NP928171-NP718759	1
Differential Left Brg.	52387-52618	1
Pinion Head Brg.	78250AC-78551	1
Pinion Tail Brg.	78250AC-78551	1
Pinion Nose Brg.	MUC1309UM	1
Input Shaft Brg.	HM813844-HM813810	1
Rear Side Gear Brg.	JM515649-JM515610	1
Output Shaft Brg.	385A-382A	2
Oil Pump Idler Gear Brg.	LM11949-90013	1
Input Shaft Seal	416470N (3.250x4.249)	1
Thrushaft Seal	415013N (3.000x4.003)	1
Snap Ring	1229K1623	1
Sealer	RTV Silicone	1

⁵⁶Order DTX2728 for updated seal
⁵⁷Order DTY2729 for updated seal

⁵⁹ Order DTA2731 for updated seal
• Not packed in kit

Differential Rebuild Kits

DRK-4443		
Position	Part Number	Qty
Differential Right Brg.	NP928171-NP718759	1
Differential Left Brg.	52387-52618	1
Pinion Head Brg.	78250AC-78551	1
Pinion Tail Brg.	78250AC-78551	1
Pinion Nose Brg.	MUB7309UM	1
Input Shaft Front Brg.	496-493	1
Input Shaft Rear Brg.	29685-29620	1
Input Shaft Seal	DTP2590 (3.000x3.750) ⁵⁷	1
Snap Ring	1229L1624	1
Sealer	RTV Silicone	1

DRK-4444		
Position	Part Number	Qty
Differential Right Brg.	NP928171-NP718759	1
Differential Left Brg.	52387-52618	1
Pinion Head Brg.	78250AC-78551	1
Pinion Tail Brg.	78250AC-78551	1
Pinion Nose Brg.	MUC1309UM	1
Input Shaft Front Brg.	496-493	1
Input Shaft Rear Brg.	29685-29620	1
Output Shaft Brg.	385A-382A •	2
Input Shaft Seal	DTP2590 (3.000x3.750) ⁵⁷	1
Thrushaft Seal	415013N (3.000x4.003) •	1
Snap Ring	1229K1623	1
Sealer	RTV Silicone	1

DRK-4450		
Position	Part Number	Qty
Differential Right Brg.	NP928171-NP718759	1
Differential Left Brg.	52387-52618	1
Pinion Head Brg.	78250AC-78551	1
Pinion Tail Brg.	78250AC-78551	1
Pinion Nose Brg.	MRB7309GEXR	1
Pinion Nose Brg.	MRC7309	1
Input Shaft Front Brg.	496-493	1
Input Shaft Rear Brg.	29685-29620	1
Input Shaft Seal	DTP2590 (3.000x3.750) ⁵⁷	1
Snap Ring	1229T4076	1
Sealer	RTV Silicone	1

DRK-4461		
Position	Part Number	Qty
Differential Right Brg.	JM716649-JM716610	1
Differential Left Brg.	JM716649-JM716610	1
Pinion Head Brg.	H715334-H715311	1
Pinion Tail Brg.	72225C-72487	1
Pinion Seal	DTN2588 (3.000x4.937) ⁵⁸	1
Sealer	RTV Silicone	1

DRK-4753		
Position	Part Number	Qty
Differential Right Brg.	28682-28622	1
Differential Left Brg.	28682-28622	1
Pinion Head Brg.	HM803149-HM803110	1
Pinion Tail Brg.	M86649-M86610	1
Pinion Seal	DTD1928 (2.500x3.876)	1
Sealer	RTV Silicone	1

DRK-4841		
Position	Part Number	Qty
Differential Right Brg.	594A-592A	1
Differential Left Brg.	594A-592A	1
Pinion Head Brg.	H715334-H715311	1
Pinion Tail Brg.	72212C-72487	1
Input Shaft Front Brg.	JM511945-3920	1
Input Shaft Rear Brg.	JLM714149-JLM714110	1
Output Shaft Brg.	LM104949-JLM104910 •	2
Helical Gear Thrust Brg.	ZN1213	1
Helical Gear Needle Brg	ZN1212	2
Input Shaft Seal	DTR2592 (3.250x4.250) ⁵⁶	1
Thrushaft Seal	DTP2590 (3.000x3.750) •	1
Sealer	RTV Silicone	1

DRK-4842		
Position	Part Number	Qty
Differential Right Brg.	594A-592A	1
Differential Left Brg.	594A-592A	1
Pinion Head Brg.	H715334-H715311	1
Pinion Tail Brg.	72212C-72487	1
Pinion Seal	DTN2588 (3.000x4.937) ⁵⁸	1
Sealer	RTV Silicone	1

DRK-4843		
Position	Part Number	Qty
Differential Right Brg.	NP293601-NP934397	1
Differential Left Brg.	NP293601-NP934397	1
Pinion Head Brg.	72212C-72487	1
Pinion Tail Brg.	55206C-55437	1
Pinion Nose Brg.	RU1570UM	1
Pinion Seal	DTN2588 (3.000x4.937) ⁵⁸	1
Sealer	RTV Silicone	1

DRK-4844		
Position	Part Number	Qty
Differential Right Brg.	NP970652-NP563664	1
Differential Left Brg.	NP293601-NP934397	1
Pinion Head Brg.	72212C-72487	1
Pinion Tail Brg.	55206C-55437	1
Pinion Nose Brg.	RU1570UM	1
Pinion Seal	DTN2588 (3.000x4.937) ⁵⁸	1
Sealer	RTV Silicone	1

⁵⁶Order DTX2728 for updated seal
⁵⁷Order DTY2729 for updated seal

⁵⁸Order DTZ2730 for updated seal
• Not packed in kit



Axle Description	Carrier	Axle Shaft Dia. (2)	# Splines	NoSpin Model Number (1)	Axle Description	Carrier	Axle Shaft Dia. (2)	# Splines	NoSpin Model Number (1)
DANA					Planetary Axles				
Single Rear Axles									
70HD, 70-2U					19060P		2.00"	39	276S-63
4.10 & down gear ratios		1.50"	35	(3) 225SL-58B	21065P, 22065P		2.10"	41	306S-109
4.56 & up gear ratios				(3) 225SL-58A	23080P, 26080P,		2.31"	36	350S-88
80		1.62"	37	225SL-105A	30055P, 35055P				
		1.50"	35		PR/PS-1200		1.64"	10	250S-34
D135-S		1.55"	36	250S-99			1.64"	32	250S-12
F155-S		1.55"	36	250S-98	PR/PS-1300, 1350, 33R/S40		1.50"	36	250S-99
F170-S		1.55"	36	250S-98	PR-1800		1.75"	19	250S-20
G155-T		1.55"	36	275S-26	PR/PS-7028		1.50"	35	225S-18
G175-S, T, D		1.55"	36	275S-26					
G185-S, D, G190-S		2.00"	39	275S-32	171, 19R		1.16"	13	187S-83
J175-S		1.85"	36	306S-99	172, 22R		1.38"	8	187S-70
J190-S, J210-S, J380-S		2.00"	39	306S-98	<i>See notes on last page.</i>				
J220-S		2.10"	41	306S-100	12D/Sxxxx, 31R38 1230		1.67"	39	225S-102
M185-S, M190-S, T, D		2.00"	39	306S-101	14Txxx 1391		2.00"	39	250S-167
M210-T		2.00"	39	306S-101	14F/D/S/Txxxx, 35R68 1390		2.00"	39	250S-67
M220-S, T, D, M230-T		2.10"	41	306S-117	15Dxxxx 1530		2.00"	39	275S-22
N175-S		1.85"	36	306S-99					
N190-S, N210-S		2.00"	39	306S-98	16D/F/S/Txxxx 1640		2.10"	42	306S-166
S135-S/150-S, 4.63-5.38 gear ratios		1.85"	36	250S-166	42R/F/S/Txxx		2.31"	27	(7) 306S-46
NS/230-S/NS		2.35"	46	350S-106	19D/Txxxx 1850		2.65"	52	350S-21
W230-S		2.35"	46	350S-73	48R/Txxx		2.50"	49	350S-44
15131		1.75"	34	250S-100			2.70"	26	350S-46
16131		1.85"	36	250S-109			2.52"	24	350S-10
17060 S/A, 19060 S/A/T		2.00"	39	275S-63	21Dxxx, 53Rxxx 2050 Conv. Dif.		2.65"	52	450S-133
17131/431		2.00"	39	306S-108	L.S. dif.		2.65"	52	450S-126
21060 S/A, 22060 S/A		2.10"	41	275S-66			1.85"	36	250S-99
21065T, 22065T		2.10"	41	306S-109	PR 1300, 33R40,				
21080 S, 22080 S, 23080 S		2.31"	36	350S-86	PS 1350, 33S40				
21090 S/A, 23090 S/A		2.31"	36	350S-86	PR/S-1200		1.64"	10	250S-34
21131/431, 22131/431		2.10"	41	306S-109	PR-1800		1.75"	19	250S-20
23080T, 26080T		2.31"	36	350S-88	PR/S-7028		1.50"	35	225S-18
23105 S/A		2.31"	36	350S-50	<i>Service Only</i>				
23131/431		2.31"	36	306S-110	D/DS-12/17xxx 1390		2.00"	39	250S-67
S-260-SB		2.31"	36	306S-110			1.93"	16	250S-14
26090 S/A		2.31"	36	306S-110	D/DS-18/19xxx 1530		2.00"	39	275S-22
26105 S/A		2.31"	39	350S-40			2.06"	24	275S-17
26131/431		2.31"	36	306S-110	D/DS-22/23xxx 1640		2.35"	46	306S-73
30105S		2.50"	39	350S-40	BD-71/91/101xxx		2.31"	27	(7) 306S-46
30131/431		2.31"	36	350S-88	D/DS-13xxx 1230		1.67"	39	225S-48
					D/DS-26/37xxx 1850		2.70"	26	350S-46
							2.52"	24	350S-10
					D/DS-34/75xxx 2050		2.70"	26	450S-125
					Conv. dif.		2.65"	52	450S-133
					L.S. dif.		2.65"	52	450S-126
					D/DS-64/85xxx2500		3.20"	63	550S-34
					D60/65/66,31R/27R		1.59"	10	250S-86
					D80/85		1.93"	16	250S-79
					D90, 39R		2.08"	24	306S-72
					D100		2.22"	26	350S-43
Tandem Axles									
S135, S150, 4.63-5.38 gear ratios		1.85"	36	250S-166					
S230		2.35"	46	350S-106					
G340-S, J340-S, N340-S		2.00"	39	306S-98					
G380-S, J380-S, G400-S		2.10"	41	306S-100					
J400-S, N-400-S, S400-S									
W440/460-S, (M460-S),									
W230-S/TR-4670		2.35"	46	350S-73					
DS/A 344		2.00"	39	275S-63					
DS 400, DT 401, 451		2.13"	33	306S-56					
D/T 403, DS/A 404, 405, DSS 40		2.10"	41	275S-66					
DP/T 402, 4026, 451		2.10"	41	306S-109					
DS/A 454		2.10"	41	275S-66					
DT460		2.31"	36	306S-110					
		2.30"	22	306S-39					
DS 461 462, 463, 521, 581		2.31"	36	350S-47					
DP/T 461, 463, 521,									
580, 601, 650, 651		2.31"	36	350S-88					

Axle Description	Carrier	Axle Shaft Dia. (2) # Splines	NoSpin Model Number (1)	Axle Description	Carrier	Axle Shaft Dia. (2) # Splines	NoSpin Model Number (1)
DEERE				Tandem Axles			
Series 1	444/A/B/C/D, 544A, 644A	2.06" 18	306S-60	34 RT		2.00" 39	306S-108
Series 2	544/B/C/D, 740, 762	2.08" 32	306S-61			2.00" 16	306S-21
Series 3	644/B/C/D, 646 C	2.30" 22	306S-62	34 DS/T, DP/S/T, 340, 341, 346,		2.00" 39	306S-108
1100/1200		2.05" 22	306S-148	DS/T/P 3416		2.00" 16	306S-21
1200	544E Front	1.50" 23	225S-80	DS/C/T/P-341		2.00" 39	306S-108
1400	624/644E Front	2.06" 18	306S-167	DS/A-344		2.00" 39	275S-63
1600	744E Front	2.33" 22	306S-149	38 DP/S/T, DP/S/T, 380, 381,		2.10" 41	306S-109
		2.33" 22	306S-173	4026, 381, 386		2.12" 16	306S-23
				DS/C/T/P 402, DS/T/P 4036		2.10" 41	306S-109
				DS/P/T 400, 401, 406		2.13" 33	306S-56
				42 DP		2.12" 16	306S-23
				44 DT/P 440, 446		2.31" 36	306S-110
						2.30" 22	306S-39
						2.10" 41	275S-66
				DS 404/454		2.10" 41	306S-109
				DS/C/T/P 451		2.13" 33	306S-56
						2.31" 36	306S-110
				DS/T/P 460, 466		2.31" 36	350S-47
				DS/C 461, DS 4616		2.31" 36	350S-88
				DT/P 461, 4616		2.31" 36	306S-110
				DS-466		2.31" 36	350S-47
				DS-480, 486		2.30" 22	350S-39
						2.31" 36	306S-110
				DT/P 480		2.30" 22	306S-39
						2.31" 36	350S-71
				DT/P 485		2.13" 33	306S-56
				50 DP		2.50" 39	350S-40
				DS 520		2.50" 39	See Note (4)
				DT/P 520		2.31" 36	350S-47
				DS/C 521, DS 5216		2.31" 36	350S-88
				DT/P 521, 5216		2.50" 39	See Note (4)
				DP 580, 586		2.31" 36	350S-47
				DS/C 581		2.31" 36	350S-88
				DP 581, 601, 651, 652		2.31" 36	
						DP 650, 656 2.50" 39	See Note (4)
EATON				Planetary Axles			
Single Rear Axles				WR 3, 5	13100	1.75" 34	250S-100
13101, 13107, 13802, 15040S/T/P		1.75" 34	250S-100	WR 7	16100	1.85" 36	250S-109
15101, 15107, 15201		1.87" 16	250S-37			2.10" 41	306S-109
15301		1.75" 19	250S-20			2.10" 41	306S-109
16120, 16121, 16221, 16244		1.85" 36	250S-109	WR 10	DS402	2.10" 41	306S-109
16344		1.88" 16	250S-44		21065	2.10" 41	306S-109
		1.88" 16	250S-45			2.12" 33	306S-56
(a) tapered spline (b) parallel spline				WR 12	23070	2.12" 33	306S-56
16247		1.80" 30	250S-39	WR 31	13000	1.87" 16	250S-37
17060, 19060		2.00" 39	275S-63	WR 51	15000	1.75" 19	250S-20
17101, 17121, 17201, 17221,		2.00" 39	306S-108			1.87" 16	250S-37
17301, 17321, 17401*, 17421*		1.98" 16	306S-21	WR 61	17000	1.87" 16	306S-119
17201 (Mack)		2.12" 33	306S-56	WR 81	18000	2.12" 16	306S-23
18101, 18121, 18201, 18221,		2.10" 41	306S-109				
18301		2.12" 16	306S-23				
18127 (Mack)		2.12" 33	306S-53				
185 S4/P4, 190 S4/T4/P4		2.00" 39	306S-108				
19050 S/T/P		1.85" 36	275S-51				
19055 S/T/P		2.00" 39	306S-108				
19060S		2.00" 39	275S-63				
19101, 19121, 19201		2.31" 36	306S-110				
		2.30" 22	306S-39				
		2.10" 41	275S-66				
21060 S/D/A							
21065 S/D/T/P, 21121,		2.10" 41	306S-109				
21221, 21321		2.31" 36	350S-86				
21080 S		2.10" 41	275S-66				
22060 S		2.10" 41	306S-109				
22065 T		2.10" 41	306S-109				
220 S4/P4, 22065 S/D/T/P,		2.10" 41	306S-109				
22080 S		2.31" 36	350S-86				
22121, 22221, 22321		2.12" 16	306S-23				
23070 S/D		2.31" 36	350S-86				
23070 T/P		2.12" 33	306S-56				
23080 S		2.31" 36	350S-86				
23080 T		2.31" 36	350S-88				
23085 S/D		2.31" 36	350S-86				
23070S, 23085 T/P		2.31" 36	350S-88				
23105 S/D		2.50" 39	350S-40				
(1996 & newer)		2.31" 36	350S-50				
230 S4, 23121, 23421		2.31" 36	350S-47				
		2.30" 22	350S-39				
230 P4/T4, 23221, 23321		2.31" 36	306S-110				
		2.30" 22	306S-39				
E2300 S		2.50" 39	350S-40				
25100		2.50" 39	350S-40				
		2.31" 36	350S-47				
		2.30" 22	350S-19				
26080 T		2.31" 36	350S-88				
260 S4, 26121		2.30" 36	350S-47				
		2.30" 22	350S-39				
260 P4, 26085, 26221, 26321		2.31" 36	306S-110				
		2.30" 22	306S-39				
26105 S/C		2.50" 39	350S-40				
260 S4, 26121		2.31" 36	350S-47				
		2.30" 22	350S-39				
30055-P		2.31" 36	350S-88				
30105 S/C, 30127		2.50" 39	350S-40				
30227, 30327		2.5 39	See Note (4)				
35055-P		2.31" 36	350S-88				
35327		2.50" 39	See Note (4)				
*Requires case change. Use conventional differential case assembly.							

Axle Description	Carrier	Axle Shaft Dia. (I2) # Splines	NoSpin Model Number (I1)
------------------	---------	-----------------------------------	-----------------------------

Axle Description	Carrier	Axle Shaft Dia. (I2) # Splines	NoSpin Model Number (I1)
------------------	---------	-----------------------------------	-----------------------------

INTERNATIONAL Single Rear Axles

14Axx			
CA CD DC DD DG		2.00"	39
DH DK DW DY NA	I-N190,210		
CE CG DB DL			
DM DV DX GD	I-N175	1.85"	36
CB CC DN DP	D-S100,122	1.85"	36
	135,150		
CH DZ	D-W230	2.35"	46
CJ EB EJ GH GL GS	D-23090	2.31"	36
DA DE DJ	D-F155	1.85"	36
DR	I-S230	2.35"	46
DT	D-N220	2.10"	41
DW DY	D-J210, I-N190	1.86"	36
EE GB	E-22065,23080	2.10"	41
EG	E-26105	2.31"	36
EH	E-19055	2.00"	39
EP GK	E-30105	2.50"	39
ET EY GG GP	D-21060,22060	2.10"	41
GA GE GM GN GT	D-19060	2.01"	39
	17060		
RA RG SR SU	R-R S21145	2.10"	41
RH SZ TB	R-RS18145,19145	2.00"	39
RB RC RD RE			
RK RR RS RV	R-RS23160	2.35"	46
	23161, 21162		
SE SG SH SK			
SM SN SP SX SY			

14Cxx			
DA	D-G155	1.85"	36
DB DC	D-M230	2.10"	41
DD	D-G175	1.85"	36
DE DG EH EJ			
EK EL ES ET EU	26080	2.10"	41
	23080		
EA	E-23070	2.31"	36
EB	E-26085	2.31"	36
EG EP EV	D-19055	2.00"	39
EM EN ER	R-RS23240	2.10"	41
VA	R-RS19224/220	1.85"	36
VB	R-RS21230	2.00"	39

14Exx			
EB	E-26085	2.31"	36
RA RB	R-RS26/30380	2.35"	46
RC	R-RS38380	2.55"	50

140xx, 14xxx			
29 39	D-F155/170	1.85"	36
30	D-D135	1.85"	36
32	D-G190	2.00"	39
33 132	D-M220/230	2.10"	41
36 44	D-J210/190	2.00"	39
42	D-J175	1.85"	36
47	D-J220	2.05"	41
51 52	R-RS23160	2.35"	46
57	D-W230	2.35"	46
72 73 92	R-RS170	2.35"	46
77 91	E-23121/26121	2.31"	36
97	231055SL	2.50"	39
87 186	E17101/202	2.00"	39
88 193 194			
197 282 293	E-19/23/26 xxx	2.31"	36
118 119 192 292	E-17/18/22 xxx	2.10"	41
130	D-G175	1.85"	36
131 133	D-M190/210	2.00"	39
168 178 277	R-RS R/U xxx	2.38"	24
187	E-15201	1.75"	34
199	E-16244	1.85"	36
298	E-35327	2.50"	39

D=Dana/Spicer E=Eaton I=Int'l. R=Rockwell/Meritor

Tandem Axles

14Gxx			
DA	I-N340	2.00"	39
DC DE DG	DKI-N400, D-S400	2.10"	41
DL DM EL EN	D-DP/S402/7, DST41	2.10"	41
JD/E rear			
EB EH GE GP	D-DC/S461/2/3/521/540	2.31"	36
GT GW GZ HZ			
EC ED EW	D-DT 461/3/521, Dp463	2.31"	36
EY GU GV			
EE	E-DS 466	2.31"	36
EP ER ES ET EX GG	D-DS404/5/54	2.10"	41
GJ GL HA HC	DSH 44, DST 41		
JC JD/E front			
HD	D-DS344	2.00"	39
RA RX	R-RT34140/145	2.00"	39
RB RC RU RW RY SB	R-RT40140/5	2.10"	41
SG SX TK TL UD UN UP	44145, 34144		
RD RE/RG/RH rear RP	R-RT23/48/52/	2.35"	46
RR SC SD SE SU TA	58180, 46/52160		
TG TM TN UE UM			
RE/RG/RH front	R-RT48/52/58180,	2.35"	46
RJ RL RV ST	52/58380		
RK RM	R-RT70380	2.55"	50
SY TV	R-RQ100, RC17350	2.10"	41
TE TY TZ	R-RS23/46157/8, 44158	2.35"	46
UG UH UJ			
UB	R-RS23240	2.10"	41
VA	D-BD71000	2.36"	27

14Hxx			
RA RB RC RD	R-RT 46160/4	2.35"	46
RE RH RJ RL RM			
RN RP	R-RT40145	2.10"	41

14xxx			
307, 467	E-DS 480, 44DS	2.31"	36
308, 309,	E-DS/DT 402, D 301	2.10"	41
494, 496, 497			
328	R-SLHD	2.00"	21
333, 334	R-SQHD	2.13"	22
337, 369, 431	R-SU270/DD, R170	2.35"	46
341	D-FIXX	1.85"	36
342	E-DT401	2.13"	33
343, 353, 354,			
377, 469	E-DP/S/T460, 44DP	2.31"	36
345, 350, 357, 434	R-SQ100, SQHP	2.10"	41
351, 475, 476	D-G/J340/380	2.00"	39
355, 472*	D-G380, J400	2.10"	41
364, 365, 389, 399,	R-SUD/DD	2.35"	46
431, 459	SS/STHD, R170		
367, 368	R-STD/DD	2.35"	46
372, 373, 382, 383	R-SFD/DD	2.55"	50
437, 474*	D-W230/460	2.35"	46
464, 502	E-DS401/451	2.13"	33
472*	D-J400	2.13"	20
474*	D-W460	2.30"	22
486, 500	E-DP580/650	2.50"	39
488, 493, 498	E=DS/T341	2.00"	39

Planetary Axles

14Exx			
EC ED	E-3505SP	2.31"	36
EH	E-26080P	2.10"	41
RA RB	RS-26380,30380	2.35"	46
RC	Rs38380	2.50"	50

Axle Description	Carrier	Axle Shaft Dia. (2) # Splines	NoSpin Model Number (1)	Axle Description	Carrier	Axle Shaft Dia. (2) # Splines	NoSpin Model Number (1)
MERITOR							
Single Rear Axles							
RS-13/15-120		1.75" 34	250S-134	RS-38-380		2.55" 50	350S-79
3.31-4.30 ratio				RS-410#		1.45" 29	225S-39A
4.56-7.17 ratio		1.95" 38	250S-128	S-162, 163		2.25" 23	350S-25
RS-15/17/19-220/224		1.85" 36	275S-37	S-164, 165		2.38" 24	350S-13
RS-17/19-144		2.10" 41	275S-43	S-170		2.35" 46	350S-57
RS-17/19-145		2.00" 39	275S-44			2.38" 24	350S-13
RS-19-220/224		1.85" 36	275S-37	SL-100		2.00" 39	306S-79
RS-21-145		2.10" 41	275S-43	SR-170		2.38" 24	350S-13
RS-21/23-160/160A/161/186		2.35" 46	350S-81	SW-170/180, 270/280		2.55" 50	350S-79
RS-21-230		2.00" 39	306S-127	U-170, 180, 240, 340		2.38" 24	350S-13
RS-23-240		2.10" 41	306S-124	U-270, 340		2.35" 46	350S-57
RS-23/26/30-380		2.35" 46	350S-93	W/WP/WR-170		2.55" 50	350S-79
RS-25/26-160/160A/185		2.35" 46	350S-81	W-180, 270, 280		2.55" 50	350S-63
RS-38-380		2.55" 50	350S-79	W-464		2.55" 50 (5)	350S-56
C-100, 102, 200		1.62" 32	225S-52	59732, 59733 (WT)		2.38" 16	350S-29
		1.62" 16	225S-15	59742, 59743 (WT)		2.38" 24	350S-13
D-100, 140		1.75" 34	250S-97	61142, 61143 (WT)		2.35" 46	350S-81
		1.75" 19	250S-13	*Di Rona Mexico #Brazil See notes on last page.			
		1.75" 16	250S-32	Tandem Axles			
F-106, 140, 146		1.75" 34	250S-97	RT-34/40-144/145/149		2.10" 41	275S-43
		1.75" 19	250S-13	RT-40/46/50-160/164/169,		2.25" 44	306S-136
FM-240		2.13" 22	306S-12	RT-40/44-145			
H-140, 145, 340		1.88" 20	275S-11	RT-48/50/52/58/70-185/380		2.35" 46	350S-93
H-140E		2.25" 44	306S-136	RZ-166		2.35" 46	350S-81
H-162		2.00" 21	306S-11	RZ-186 front		2.35" 46	350S-93
H-170, 171		1.85" 36	275S-10	rear		2.35" 46	350S-81
H-172, 173		2.00" 39	306S-79	RZ-188		2.35" 46	350S-93
L-145, 155		2.00" 21	306S-11	R-170/TKN 4670		2.35" 46	350S-57
L-164		1.88" 20	276S-11			2.38" 24	350S-13
L-172		2.00" 39	306S-79	RT 34-140, 145		2.00" 39	275S-44
L-245, 345		2.00" 21	306S-25				
L-362		2.00" 21	306S-25	RT 46/48/52-160		2.55" 50	350S-76
M-172		2.00" 39	306S-79			2.35" 46	350S-81
M/FM-240		2.12" 16	306S-36	RT 48/52/58-180 front		2.35" 46	350S-93
M/MD-240		2.13" 22	306S-12	rear		2.35" 46	350S-81
P-140E		2.25" 44	306S-136	RT 48/52/58-380		2.35" 46	350S-93
P-174		2.10" 41	306S-15	RT 70-180		2.55" 50	350S-76
Q-100		2.10" 41	306S-15	RT 70-380		2.55" 50	350S-79
Q-145		2.13" 22	306S-31	SDH/SDHD		1.75" 16	250S-32
Q-345		2.13" 22	306S-38	SFD (C-240)		1.62" 16	225S-15
R-140		2.25" 23	350S-25	SFD (M-240)		2.12" 16	306S-36
R-140E		2.25" 44	306S-136	SFD/SFDD 4640, 47		2.55" 50 (5)	350S-56
R-140, 155*, 200, 221,						2.50" 16 (5)	350S-52
255*, 270, 300, 355		2.38" 24	350S-13	SFH/SFHD		1.75" 34	250S-97
R-355/356		2.35" 46	350S-57			1.75" 19	250S-13
R-170		2.38" 16	350S-29	SHD, SHR		2.38" 24	350S-13
		2.38" 24	350S-13	SHHD/SJHD		1.87" 20	275S-11
RL-170		2.35" 46	350S-57	SLD/SLDD		2.00" 21	306S-11
		2.38" 24	350S-13			2.00" 16	306S-22
RS-13-120, 15-120/125		1.75" 34	250S-134	SL 100		2.00" 39	306S-79
4.56-7.17 ratio		1.95" 38	250S-128	SLHD		2.00" 21	306S-11
RS-15-210		1.75" 34	250S-139	SLHR/T-3000		2.00" 21	306S-11
RS-17-140		2.00" 39	275S-44	SQHD		2.13" 22	306S-12
		1.85" 36	275S-46			2.00" 21	306S-25
RS-17-144, 145		2.00" 39	275S-44	SQHP, SQ 100		2.10" 41	306S-15
RS-17-220		1.85" 36	275S-37	SQR 100		2.10" 41	306S-15
RS-18-140, 145		2.00" 39	275S-44	SR 170, 270, 280		2.35" 46	350S-57
		1.85" 36	275S-46			2.38" 24	350S-13
RS-19-145		2.00" 39	275S-44	SRD/SRDD		2.35" 46	306S-84
RS-19-220		1.85" 36	275S-37			2.25" 23	306S-35
RS-20-145		2.25" 44	306S-136	SRHD		2.25" 23	306S-35
		2.10" 41	275S-43	SSHD		2.35" 46	350S-57
RS-20-230		2.00" 39	306S-127			2.38" 24	350S-13
RS-21-145		2.10" 41	275S-43			2.25" 23	350S-25
RS-21-230		2.00" 39	306S-127	ST 170		2.38" 24	350S-13
RS-23-160, 180		2.35" 46	350S-81	STD, STDD, STD-DD		2.35" 46	350S-55
		2.55" 50	350S-76			2.38" 24	350S-36
RS-23-240		2.10" 41	306S-124	STHD		2.38" 46	350S-57
RS-23-380		2.35" 46	350S-93			2.38" 24	350S-13
RS-25/26-160, 180		2.35" 46	350S-81	SU 170, SUD/SUDD, SUHD		2.35" 46	350S-57
RS-26-380		2.35" 46	350S-93			2.38" 24	350S-13
RS-30-180		2.35" 46	350S-81	SU 270, 280		2.35" 46	350S-57
RS-30-380		2.35" 46	350S-93			2.38" 24	350S-13
				SW 170, 180, 270, 280		2.55" 50	350S-79
				FLDD, LDD-240		2.13" 22	306S-12

HD Differential

Axle Description	Carrier	Axle Shaft Dia. (2) # Splines	NoSpin Model Number (1)
LDF		2.00" 21	306S-25
LDH/R		2.00" 21	306S-11
QHD/R		2.00" 21	306S-25
RDD/F/R		2.35" 46	306S-84
SHD/R		2.38" 24	350S-13
		2.35" 46	350S-57
TDD/F/R		2.35" 46	350S-55
UDD/F/R		2.38" 24	350S-13
		2.35" 46	350S-57

Planetary Axles

SINGLE - PR

204/5, 265	D/F-140	1.75" 19	250S-13
184, 824	H-172	1.88" 20	306S-42
673	L-172	2.13" 22	306S-12
352/3, 382	PRA Series	1.60" 31	225S-122
1736	QR-100	2.10" 41	306S-15
867	R-155	2.13" 22	350S-15
3805, 4805	R-155	2.38" 24	350S-15
594, 671	RS-120/125	1.75" 34	250S-134
	RS-120/125	1.95" 38	250S-128
	RS-145	2.00" 39	275S-44
416, 425, 673			
756, 775, 1314			
727, 866, 1206,	RS-145	2.10" 41	275S-43
1735, 1756, 1794			
5225, 7534	RS-186	2.55" 50	350S-76
674	RS-220	1.85" 36	275S-44
134	53500	1.75" 16	250S-23

TANDEM-SP

673	RT-145	2.00" 39	275S-44
1927	RT-160	2.35" 46	350S-81
4808	RT-380	2.55" 50	350S-79
1356, 1735	SQHP	2.10" 41	306S-15
1927	SR-170	2.38" 24	350S-15

STEER-PS

205, 594	F-140	1.75" 19	250S-13
824/5	H-172	1.88" 20	306S-42
824/5	L-172	2.13" 22	306S-12
1614	Q-100	2.13" 22	306S-31
		2.10" 41	306S-92
1044, 1617, 1794	QR-100	2.10" 41	306S-15
1485, 1875, 4564	R-155	2.13" 22	350S-19
		2.38" 24	350S-15
205, 594	RS-120/125	1.75" 34	250S-134
	RS-120/125	1.95" 38	250S-128
826, 1044, 1614,	RS-145	2.10" 41	275S-43
1794			
1876	RS-160	2.35" 46	350S-81
SVI 5000 series		1.71" 33	
717SV166			

SINGLE PR, TANDEM SP, STEER PS

134, 164, 267, 268	53500	1.75" 16	250S-23
274	C-100	1.62" 16	225S-15
203	C-102	1.65" 32	225N-52
165, 166, 175, 176,	D-140/142	1.75" 19	250S-13
204, 205#, 264, 265,	F-140/145		
353, 354, 515, 524			
574, 593, 594#, 595,			
671#, 723, 724, 823			
592, 596*, 614*, 672*	H-140/150/340	1.88" 20	275S-11
674, 824*, 863*, 1103*, 1374*			
184, 577#, 596*, 614*,	H-172	1.88" 20	306S-42
672*, 694#, 726, 824*, 825#,			
834, 863*, 1103*, 1374*			
784, F106		1.77" 19	250S-13
576, 595, 671#,	HHD Front	1.88" 20	275S-11
1743, 1753	H-172 Rear	1.88" 20	306S-42

Axle Description	Carrier	Axle Shaft Dia.(2) #Splines	NoSpin Model Number (1)
Planetary Axles			
150#, 154#, 158#, 202, 235#, 483, 655, 673#, 695#, 825#, 864, 1104	L-172	2.13" 22	306S-12
577#, 615, 673#, 695#, 803, 855	L-172	2.00" 21	306S-11
362	L-172	2.00" 39	306S-79
673	L-345	2.00" 21	306S-11
150, 158#, 202, 235#, 413		2.00" 21	306S-25
5054, 7314#, 10253	PR-700	2.75" 54	450S-146
7314#	PR-700	2.63" 26	450S-129
1756#	Q-100	2.25" 23	306S-35
208, 209, 210	Q-100/145	2.13" 22	306S-31
250, 251, 266			
676, 804, 826, 1044, 1314, 1355, 1614#			
1614#	Q-100	2.10" 41	306S-92
827, 1044, 1105, 1284, 1357, 1617, 1736, 1794#	Q-100	2.10" 41	306S-15
207, 677, 827, 866, 867, 1315, 1485, 1615, 1725, 1757#	R-140/155	2.13" 22	350S-19
1757#, 1875, 1925, 1935, 3795, 3805, 4025, 4564, 4805	R-140/155	2.38" 24	350S-15
1045, 1737, 1757#	R-140/155	2.15" 23	350S-16
258#, 305#, 312#, 1927#, 3796, 4264, 4565, 4807, 4874	R-170	2.38" 24	350S-15
4824, 5814, 5095	R-170/180	2.45" 48	350S-75
677	R-355	2.38" 24	350S-15
205#, 265, 415, 454	RS-120/125	1.75" 34	250S-134
594#, 671#			
755, 775	RS-125	1.95" 38	250S-128
416, 673#, 756#, 1314	RS-140/145	2.00" 39	275S-44
673#, 727, 826, 866, 867, 1044, 1105, 1614, 1735#, 1756, 1794	RS-145	2.10" 41	275S-43
756#	RS-145	1.85" 36	275S-46
1876, 1927#	RS-160	2.35" 46	350S-81
5225, 7534, 10253	RS-180/185/186	2.55" 50	350S-76
674	RS-220	1.85" 36	275S-37
230	RS-230	2.00" 39	306S-127
4808#	RN-380	2.38" 24	350S-15
	RP/RT-380	2.55" 50	350S-79
	RR-380	2.35" 46	350S-93
258#, 305#, 311#, 1927#, 4806	SR-170	2.38" 24	350S-15
1356, 1357, 1616, 1735# 1736	SPR-570	2.10" 41	306S-15
1926, 4026	SQHP	2.10" 41	306S-15
	SQ-100		
	SSHHD	2.38" 24	350S-13
	SSHP		
5324	WR-170	2.55" 50	350S-79

Allison Transmission Products



HD Transmission

1000/2000 Series

Position	Part #	Comments
Support Assembly Brg.	AT29531013	
Hub Front Thrust Brg.	AT29531089	w/ 29536214 Turbine Assy.
Hub Front Thrust Brg.	AT29539501	w/ 29539501 Turbine Assy.
Hub Front Thrust Brg.	AT29539501	w/ 4th Generation Controls
Hub Rear Thrust Brg.	AT29531090	
P1 Planetary Front Thrust Brg.	AT29531095	
P1 Planetary Rear Thrust Brg.	AT29531106	
P2 Planetary Thrust Brg.	AT29531095	Prior S/N 6310696028
P2 Planetary Thrust Brg.	AT29541702	S/N 6310696028 and later
P3 Planetary Thrust Brg.	AT29531089	w/ 29531121 or 29531218 Sun Gear
P3 Planetary Thrust Brg.	AT29539501	w/o 29531121 or 29531218 Sun Gear
Output Shaft Front Brg.	AT29531151	
Output Shaft Rear Brg.	AT23047970	

4000 Series

Position	Part #	Comments
Torque Converter Turbine Front Thrust Brg.	AT29511436	
Torque Converter Turbine Rear Thrust Brg.	AT29500713	
Torque Converter Stator Assembly Thrust Brg.	AT29503877	
Support Assembly Brg.	AT29505573	
Rotating Clutch Front Thrust Brg.	AT29505572	
Rotating Clutch Rear Thrust Brg.	AT29503225	
Hub Front Thrust Brg.	AT29501221	
Hub Rear Thrust Brg.	AT29501221	
P1 Sun Gear Thrust Brg.	AT29501221	
P1 Planetary Rear Thrust Brg.	AT29514684	
P2 Planetary Thrust Brg.	AT29501197	
Output Shaft Front Cone	AT29505613	
Output Shaft Front Cup	AT29505574	
Output Shaft Rear Cone	AT29505613	
Output Shaft Rear Cup	AT29505574	
Main Shaft Front Thrust Brg.	AT29503225	
Main Shaft Rear Thrust Brg.	AT29514684	
Input Shaft Brg.	AT29542533	
PTO Gear Assembly Front Brg.	AT29501421	
PTO Gear Assembly Rear Brg.	AT29501421	
P4 Sun Gear Brg.	AT29530486	
P4 Front Thrust Brg.	AT29542556	
P4 Rear Thrust Brg.	AT29505572	

3000 Series

Position	Part #	Comments
Torque Converter Turbine Front Thrust Brg.	AT23046228	
Torque Converter Turbine Rear Thrust Brg.	AT29500942	1.98, 2.20, 2.35 Stall Ratios
Torque Converter Turbine Rear Thrust Brg.	AT29500768	All other Stall Ratios
Torque Converter Stator Assembly Thrust Brg.	AT23045918	
Support Assembly Thrust Brg.	AT23047834	
Support Assembly Brg.	AT23045816	
Rotating Clutch Front Thrust Brg.	AT23047854	
Rotating Clutch Rear Thrust Brg.	AT23047854	
Hub Front Thrust Brg.	AT23047854	
Hub Rear Thrust Brg.	AT23047854	
P1 Planetary Front Thrust Brg.	AT23047854	
P1 Planetary Rear Thrust Brg.	AT23047854	
Output Shaft Front Cone	AT23046437	
Output Shaft Front Cup	AT23046438	
Output Shaft Rear Cone	AT23046437	
Output Shaft Rear Cup	AT23046438	
Main Shaft Front Thrust Brg.	AT29500768	Close Ratio
Main Shaft Front Thrust Brg.	AT29500713	Wide Ratio
Main Shaft Rear Thrust Brg.	AT29503225	Close Ratio
Main Shaft Rear Thrust Brg.	AT23047854	Close Ratio & Early Lead Unit
Main Shaft Rear Thrust Brg.	AT29503217	Wide Ratio
Main Shaft Rear Thrust Brg.	AT29500953	Wide Ratio & Early Lead Unit

Miscellaneous Bearings

Part #	Part #
AT6830333	AT23041452
AT6837146	AT23041458
AT6884434	AT23048030
AT6884835	AT29500063
AT9426916	AT29501299
AT9433392	AT29506196
AT9434057	AT29517123
AT9439704	AT29543992
AT23012921	AT29543993
AT23015799	AT29549505
AT23016866	AT29552652
AT23041147	AT29552707

Detroit Transmissions

Model	Comments	Rebuild Kit
DT12-OA		TRK-600
DT12-OB		TRK-601
DT12-DA		TRK-602
DT12-DB		TRK-603

Chelsea PTO Rebuild Kits

Model	Comments	Rebuild Kit
442		PTO-489
447		PTO-489
489		PTO-489
270		PTO-270
271		PTO-270
880	Pump Output (M,P,Q,R,T Ratios)	PTO-880A
880	Pump Output (B,D,G,J Ratios)	PTO-880B
880	Standard Output (M,P,Q,R,T Ratios)	PTO-880C
880	Standard Output (B,D,G,J Ratios)	PTO-880D

PTO-270

Position	Part Number	Qty
Input Shaft Brg.	WJ162116	2
Input Shaft Thrust Brg.	NTA1625	2
Output Shaft Front Brg.	207	1
Output Shaft Rear Brg.	207	1
Output Gear Brg.	WJ243016	2
Output Seal	471268 (1.375x2.000)	1
Output Seal	410194 (1.625x2.502)	1
Gasket Kit	GT-270	1

PTO-489

Position	Part Number	Qty
Input Shaft Brg.	21075	2
Output Shaft Front Brg.	15117-15245	1
Output Shaft Rear Brg.	15126-15245	1
Output Seal	471766 (1.250x2.000)	1
Gasket Kit	GT-442	1

PTO-880A

Position	Part Number	Qty
Input Shaft Brg.	HM88630	2
Output Shaft Front Brg.	LM501349-LM501310	1
Output Shaft Rear Brg.	LM501349-LM501310	1
Output Seal	410194 (1.625x2.502)	1
Gasket Kit	GT-880	1

PTO-880B

Position	Part Number	Qty
Input Shaft Brg.	M86643	2
Output Shaft Front Brg.	LM501349-LM501310	1
Output Shaft Rear Brg.	LM501349-LM501310	1
Output Seal	410194 (1.625x2.502)	1
Gasket Kit	GT-880	1

PTO-880C

Position	Part Number	Qty
Input Shaft Brg.	HM88630	2
Output Shaft Front Brg.	LM29749-LM29710	1
Output Shaft Rear Brg.	LM501349-LM501310	1
Output Seal	410085N (2.000x2.996)	1
Gasket Kit	GT-880	1

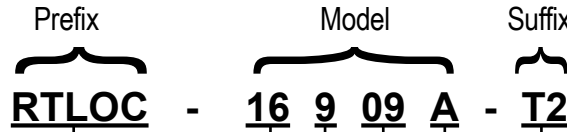
PTO-880D

Position	Part Number	Qty
Input Shaft Brg.	M86643	2
Output Shaft Front Brg.	LM29749-LM29710	1
Output Shaft Rear Brg.	LM501349-LM501310	1
Output Seal	410085N (2.000x2.996)	1
Gasket Kit	GT-880	1

Heavy Duty Transmission Index

Heavy Duty Nomenclature

HD Transmission



T = Twin Countershaft
TX = Twin Countershaft w/Overdrive

RT = Roadranger Twin Countershaft
RTF = Roadranger Twin Countershaft w/ Forward Shift Bar Housing
RTO = Roadranger Twin Countershaft w/Overdrive
RTOF = Roadranger Twin Countershaft w/Overdrive & Forward Shift Bar Housing
RTX = Roadranger Twin Countershaft w/Overdrive & Direct Shift Pattern
RTXF = Roadranger Twin Countershaft w/Overdrive, Direct Shift Pattern & Forward Shift Bar Housing
RTL = Roadranger Twin Countershaft w/Low Inertia
RTLO = Roadranger Twin Countershaft w/Low Inertia and Overdrive
RTOC = Roadranger Twin Countershaft w/Overdrive and Convertible Model
RTLOC = Roadranger Twin Countershaft w/Low Inertia, Overdrive and Convertible Model

FA = Fuller Advantage Twin Countershaft
FAF = Fuller Advantage Twin Countershaft w/Forward Shift Bar Housing
FAM = Fuller Advantage Twin Countershaft Multi-torque
FAMF = Fuller Advantage Twin Countershaft Multi-torque w/Forward Shift Bar Housing
FAO = Fuller Advantage Twin Countershaft w/Overdrive
FAOF = Fuller Advantage Twin Countershaft Overdrive w/Forward Shift Bar Housing
FAOM = Fuller Advantage Twin Countershaft w/Overdrive & w/Multi-torque
FAOMF = Fuller Advantage Twin Countershaft w/Overdrive and Multi-torque w/ Forward Shift Bar Housing

FR = Fuller Roadranger Twin Countershaft
FRF = Fuller Roadranger Twin Countershaft w/ Forward Shift Bar Housing
FRM = Fuller Roadranger Twin Countershaft w/ Multi-torque
FRO = Fuller Roadranger Twin Countershaft w/Overdrive

FROF = Fuller Roadranger Twin Countershaft w/Overdrive & Forward Shift Bar Housing
FRW = Fuller Roadranger Twin Countershaft w/Cooler-less Option
FRLO = Lightning[®] Models

T2 = Top 2 Gears Automated

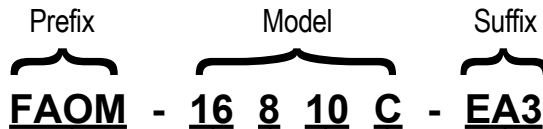
Gear Ratio Set
LL = Two Additional Low Gears
ALL = Deep Reduction Low Gears

Forward Speeds

Design Level
2 = FR Series
4 = FRLO (Lightning) Series
5 = Coarse Gearing
6 = Multi-mesh Gearing
7 = Helical Auxiliary Gearing & Multi-mesh Front Gearing
8 = FA Series
9 = Improved Seal System and Involute Spine

Nominal Torque Capacity (lb-ft)
= # x 100 + 50

Fuller Advantage[®] Series Automated Nomenclature



FA = Fuller Advantage
FAM = Fuller Advantage Multi-torque
FAO = Fuller Advantage Overdrive
FAOM = Fuller Advantage Overdrive & w/Multi-torque

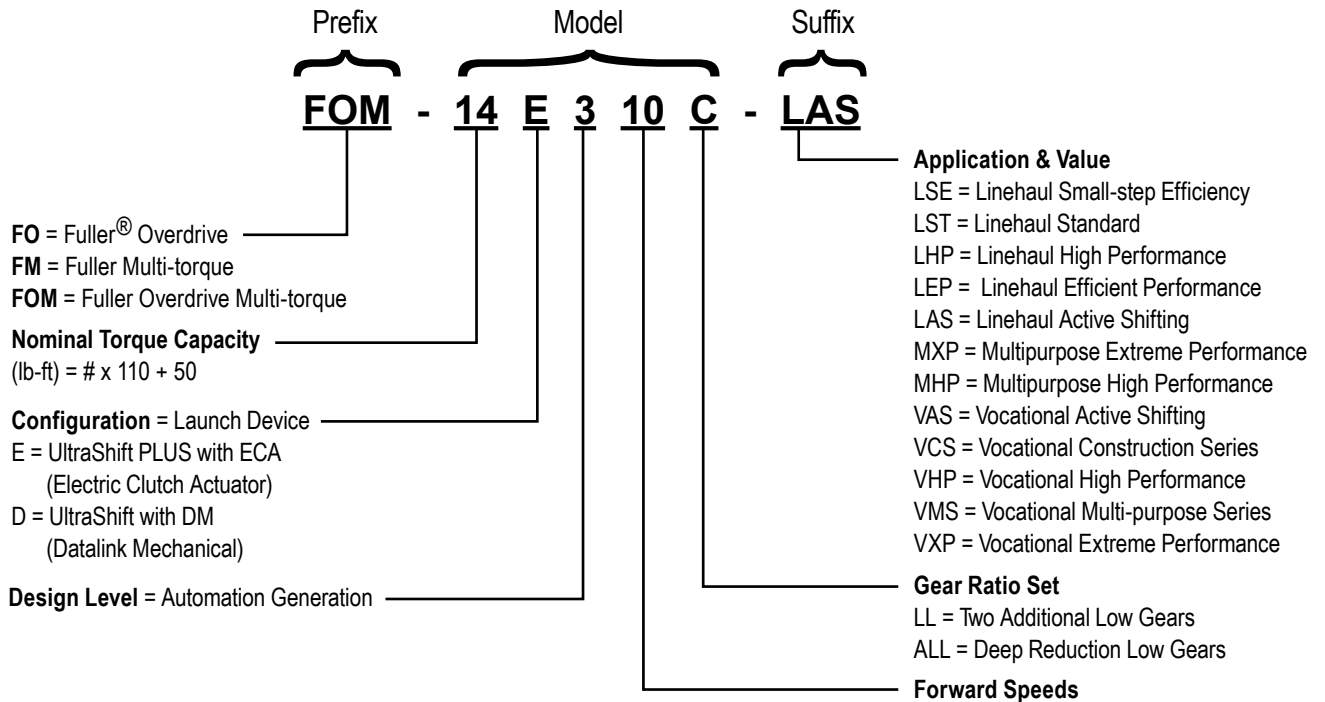
Nominal Torque Capacity
(lb-ft) = # x 110 + 50

Design Level

EA3 = Eaton Automation Gen 3
EC3 = Eaton Cummins Gen (SmartAdvantage)
EN3 = Eaton Navistar Gen 3
EP3 = Eaton PACCAR Gen 3

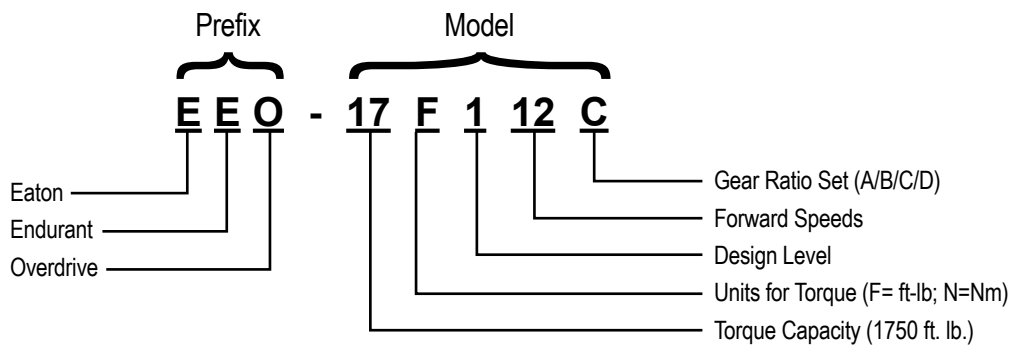
Gear Ratio Set
Forward Speeds

Heavy-Duty UltraShift® PLUS Nomenclature

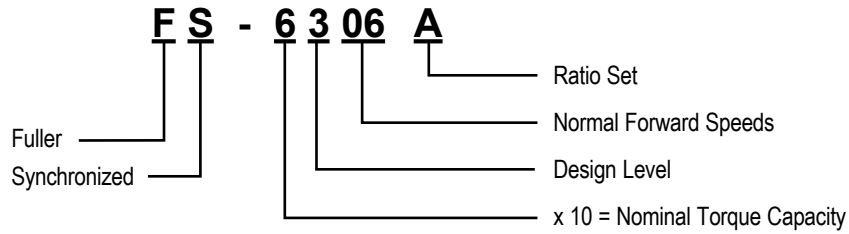


HD Transmission

Endurant™ Nomenclature

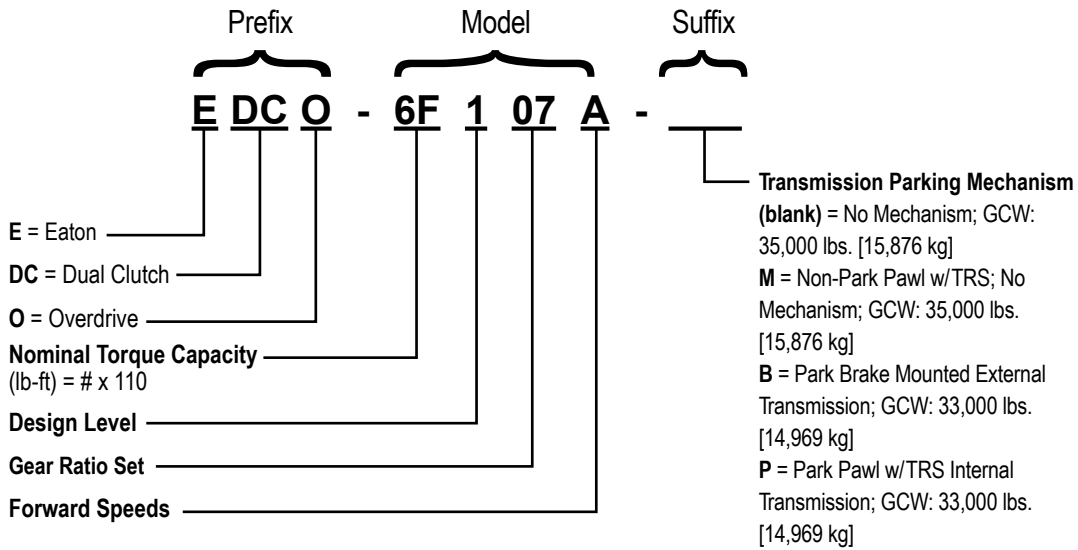


Medium Duty Nomenclature



HD Transmission

Procision® Nomenclature



Heavy Duty Transmission Index

Clark Medium Duty Models

Clark 5 Speed Models

Model No.	Comments	Standard Kit	Suitcase Kit	Overhaul Kit	Clutch Install Kit
250-V	1959 & Later	TRK-23			
250-V18		TRK-23B			
250-VO	1959 & Later	TRK-23			
251-V	1959 & Later	TRK-23			
251-VO	1959 & Later	TRK-23			
251-VO18		TRK-23B			
259-V		TRK-23B			
264-V	1959 & Later	TRK-23			
264-VO	1959 & Later	TRK-23			
264-VO48		TRK-23			
264-VO49		TRK-23			
265-V	1959 & Later	TRK-23			
265-VO	1959 & Later	TRK-23			
267-V	1959 & Later	TRK-23			
267-VO	1959 & Later	TRK-23			
268-V	1959 & Later	TRK-23			
269-V	1959 & Later w/ Narrow Output Shaft Brg.	TRK-23B			
269-V	1959 & Later w/o Narrow Output Shaft Brg.	TRK-23			
269-V35	1959 & Later	TRK-23			
280-V	1959 & Later	TRK-148	TRK-2127		
280-VHD	1959 & Later	TRK-190	TRK-2128		
280-VO	1959 & Later	TRK-148	TRK-2127		
280-VO18	1959 & Later	TRK-148	TRK-2127		
280-VO3	1959 & Later	TRK-148	TRK-2127		
280-VO4	1959 & Later	TRK-148	TRK-2127		
282-V		TRK-148	TRK-2127		
282-V11		TRK-148	TRK-2127		
282-V55		TRK-148	TRK-2127		
282-VHD		TRK-190	TRK-2128		
282-VHD12		TRK-190	TRK-2128		
282-VHD13		TRK-190	TRK-2128		
282-VHD2		TRK-190	TRK-2128		
285-V		TRK-148	TRK-2127		
285-V54		TRK-148	TRK-2127		
285-V9		TRK-148	TRK-2127		
285-VHD		TRK-190	TRK-2128		
285-VHD13		TRK-190	TRK-2128		
285-VHD2		TRK-190	TRK-2128		
305-V		TRK-48			
307-V		TRK-48			
315-V		TRK-48			
318-V		TRK-48			
320-V		TRK-132			
325-V		TRK-132			
327-V		TRK-132			
328-V		TRK-132			
380-V		TRK-133			
380-VO		TRK-133			
381-V		TRK-133			
385-V		TRK-133			
387-V		TRK-133			
388-V		TRK-133			
390-V	1-1/2" Input Shaft & 2" Output Shaft	TRK-390F	TRK-2124		
390-V	1-3/4" Input Shaft & 2" Output Shaft	TRK-390G	TRK-2125		
390-V	1-1/2" Input Shaft & 1-3/4" Output Shaft	TRK-390H	TRK-2126		

Heavy Duty Transmission Index

Clark Medium Duty Models

Clark 5 Speed Models (cont.)

Model No.	Comments	Standard Kit	Suitcase Kit	Overhaul Kit	Clutch Install Kit
397-V	1-1/2" Input Shaft & 2" Output Shaft	TRK-390F	TRK-2124		
397-V	1-3/4" Input Shaft & 2" Output Shaft	TRK-390G	TRK-2125		
397-V	1-1/2" Input Shaft & 1-3/4" Output Shaft	TRK-390H	TRK-2126		
2621-V	w/ Narrow Output Shaft Brg.	TRK-23B			
2621-V	w/o Narrow Output Shaft Brg.	TRK-23			
2621-V1	w/ Narrow Output Shaft Brg.	TRK-23B			
2621-V1	w/o Narrow Output Shaft Brg.	TRK-23			
2622-V12		TRK-23B			
2622-V7		TRK-23B			
2651-V	w/ Narrow Output Shaft Brg.	TRK-23B			
2651-V	w/o Narrow Output Shaft Brg.	TRK-23			
2651-V1	w/ Narrow Output Shaft Brg.	TRK-23B			
2651-V1	w/o Narrow Output Shaft Brg.	TRK-23			
2653-V		TRK-23B			
2653-V10		TRK-23B			
2653-V5		TRK-23B			
2653-V9		TRK-23B			
2653-VO		TRK-23B			
CL450	1-1/4" or 1-1/2" Input Shaft	TRK-208	TRK-2120		
CL450	1-3/4" Input Shaft	TRK-208D	TRK-2129		
CL455	1-1/4" or 1-1/2" Input Shaft	TRK-208	TRK-2120		
CL455	1-3/4" Input Shaft	TRK-208D	TRK-2129		
CL457	1-1/4" or 1-1/2" Input Shaft	TRK-208	TRK-2120		
CL457	1-3/4" Input Shaft	TRK-208D	TRK-2129		
CL550	1-1/2" Input Shaft & 2" Output Shaft	TRK-390F	TRK-2124		
CL550	1-3/4" Input Shaft & 2" Output Shaft	TRK-390G	TRK-2125		
CL550	1-1/2" Input Shaft & 1-3/4" Output Shaft	TRK-390H	TRK-2126		
CL551	1-1/2" Input Shaft & 2" Output Shaft	TRK-390F	TRK-2124		
CL551	1-3/4" Input Shaft & 2" Output Shaft	TRK-390G	TRK-2125		
CL551	1-1/2" Input Shaft & 1-3/4" Output Shaft	TRK-390H	TRK-2126		
CL557	1-1/2" Input Shaft & 2" Output Shaft	TRK-390F	TRK-2124		
CL557	1-3/4" Input Shaft & 2" Output Shaft	TRK-390G	TRK-2125		
CL557	1-1/2" Input Shaft & 1-3/4" Output Shaft	TRK-390H	TRK-2126		
CL558	1-1/2" Input Shaft & 2" Output Shaft	TRK-390F	TRK-2124		
CL558	1-3/4" Input Shaft & 2" Output Shaft	TRK-390G	TRK-2125		
CL558	1-1/2" Input Shaft & 1-3/4" Output Shaft	TRK-390H	TRK-2126		

Eaton/Fuller Medium & Heavy Duty Models

2 Speed Auxiliary Models

Model No.	Comments	Standard Kit	Suitcase Kit	Overhaul Kit	Clutch Install Kit
2-A-92			TRK-400		
AT-1202			TRK-401		

5 Speed Models

F-5405B-DM3			TRK-3440		
F-5505B-DM3			TRK-3440		
F-6405B-DM3			TRK-3440		
F-6505B-DM3			TRK-3440		
FS-4005A	w/ 1.375" or 1.5" I/S	TRK-208	TRK-2120		
FS-4005A	w/ 1.75" I/S	TRK-208D	TRK-2129		
FS-4005B	w/ 1.375" or 1.5" I/S	TRK-208	TRK-2120		
FS-4005B	w/ 1.75" I/S	TRK-208D	TRK-2129		
FS-4005C	w/ 1.375" or 1.5" I/S	TRK-208	TRK-2120		
FS-4005C	w/ 1.75" I/S	TRK-208D	TRK-2129		
FS-4205A	w/ 1.5" I/S & 2" O/S		TRK-7000		

Heavy Duty Transmission Index

Eaton/Fuller Medium & Heavy Duty Models

5 Speed Models (cont.)

Model No.	Comments	Standard Kit	Suitcase Kit	Overhaul Kit	Clutch Install Kit
FS-4205A	w/ 1.75" I/S		TRK-7013		
FS-4205B	w/ 1.5" I/S & 2" O/S		TRK-7000		
FS-4205B	w/ 1.75" I/S		TRK-7013		
FS-4205C	w/ 1.5" I/S & 2" O/S		TRK-7000		
FS-4205C	w/ 1.75" I/S		TRK-7013		
FS-5005A	w/ 1.5" I/S & 2" O/S	TRK-395F	TRK-2121		
FS-5005A	w/ 1.5" I/S & 1.75" O/S	TRK-395G	TRK-2122		
FS-5005A	w/ 1.75" I/S & 2" O/S	TRK-395H	TRK-2123		
FS-5005B	w/ 1.5" I/S & 2" O/S	TRK-395F	TRK-2121		
FS-5005B	w/ 1.5" I/S & 1.75" O/S	TRK-395G	TRK-2122		
FS-5005B	w/ 1.75" I/S & 2" O/S	TRK-395H	TRK-2123		
FS-5005C	w/ 1.5" I/S & 2" O/S	TRK-395F	TRK-2121		
FS-5005C	w/ 1.5" I/S & 1.75" O/S	TRK-395G	TRK-2122		
FS-5005C	w/ 1.75" I/S & 2" O/S	TRK-395H	TRK-2123		
FS-5205A	w/ 1.5" I/S		TRK-7032		
FS-5205A	w/ 1.75" I/S		TRK-7033		
FS-5205B	w/ 1.5" I/S		TRK-7032		
FS-5205B	w/ 1.75" I/S		TRK-7033		
FS-5205C	w/ 1.5" I/S		TRK-7032		
FS-5205C	w/ 1.75" I/S		TRK-7033		
FS-6005			TRK-2131		
FS-6105			TRK-2131		
FS-6205A			TRK-7035		
FS-6205B			TRK-7035		
FS-6305A			TRK-7035		
FS-6305B			TRK-7035		
T-11605A	w/ 2" Pull Type I/S	TRK-58A	TRK-1873	TRK-1984	
T-11605B	w/ 2" Pull Type I/S	TRK-58A	TRK-1873	TRK-1984	
T-11605C	w/ 2" Pull Type I/S	TRK-58A	TRK-1873	TRK-1984	
T-11605D	w/ 2" Pull Type I/S	TRK-58A	TRK-1873	TRK-1984	
T-11605F	w/ 2" Pull Type I/S	TRK-58A	TRK-1873	TRK-1984	
T-11605M	w/ 2" Pull Type I/S	TRK-58A	TRK-1873	TRK-1984	
T-905		TRK-58	TRK-1852		
T-955		TRK-1000	TRK-2780		
T-955LL		TRK-1000	TRK-2780		
TO-11605A	w/ 2" Pull Type I/S	TRK-58A	TRK-1873	TRK-1984	
TO-11605B	w/ 2" Pull Type I/S	TRK-58A	TRK-1873	TRK-1984	
TO-11605C	w/ 2" Pull Type I/S	TRK-58A	TRK-1873	TRK-1984	
TO-11605D	w/ 2" Pull Type I/S	TRK-58A	TRK-1873	TRK-1984	
6 Speed Models					
FO-5406B-DM3			TRK-3440		
FO-5506B-DM3			TRK-3440		
FO-6406A-ASX			TRK-3440		
FO-6406B-DM3			TRK-3440		
FO-6506B-DMW			TRK-3440		
FO-8406A-ASX			TRK-3440		
FS-5106A			TRK-2041		
FS-5306A			TRK-7052		
FS-5406A			TRK-3423		
FS-5406N			TRK-3423		
FS-6106			TRK-1766		
FS-6206A			TRK-2041		
FS-6306A			TRK-7052		
FS-6406A			TRK-3423		
FS-6406N			TRK-3423		

Heavy Duty Transmission Index

Eaton/Fuller Medium & Heavy Duty Models

6 Speed Models (cont.)

Model No.	Comments	Standard Kit	Suitcase Kit	Overhaul Kit	Clutch Install Kit
FS-7206			TRK-2130		
FS-8206A			TRK-2490		
FSB-5406B			TRK-3423		
FSO-6406A			TRK-3423		
FSO-8206			TRK-2464		
FSO-8406A			TRK-3423		
RT-906		TRK-1000	TRK-2780		

7 Speed Models

RTO-1157DL		TRK-188	TRK-1859		
RTO-1157DLL		TRK-184	TRK-1860		
RTO-11607L		TRK-201	TRK-1866	TRK-1980	
RTO-11607LL			TRK-1867	TRK-1981	
RTO-11707DLL			TRK-2045	TRK-1986	
RTO-11707LL			TRK-2045	TRK-1986	
RTO-13707DLL			TRK-2855		
RTO-13707MLL			TRK-2855		
RTOF-11607L		TRK-201	TRK-1866	TRK-1980	
RTOF-11607LL			TRK-1867	TRK-1981	
RTOF-11707LL			TRK-2045	TRK-1986	
RTOF-13707DLL			TRK-2855		
RTOF-13707MLL			TRK-2855		
T-11607A			TRK-2771	TRK-1982	
T-11607B			TRK-2771	TRK-1982	
T-14607A			TRK-2771	TRK-1982	
T-14607B			TRK-2771	TRK-1982	
T-8607A			TRK-1877	TRK-1765	
T-8607B			TRK-1877	TRK-1765	
TX-14607B			TRK-2771	TRK-1982	
TX-8607B			TRK-1877	TRK-1765	

8 Speed Models

FO-10E308LL-VCS			TRK-3942		
FO-11E308LL-VCS			TRK-3942		
FO-12E308LL-VCS			TRK-3942		
FO-14E308LL-VCS			TRK-3942		
FO-16E308LL-VCS			TRK-3942		
FO-17E308LL-VCS			TRK-3942		
RT-11608	w/ 1.75" Push Type I/S		TRK-2283	TRK-2345	
RT-11608	w/ 2" Pull Type I/S		TRK-2283	TRK-2761	TRK-2468 ⁵⁵
RT-7608LL			TRK-2047	TRK-1995	
RT-8608L	w/ 1.75" Push Type I/S		TRK-2283	TRK-2345	
RT-8608L	w/ 2" Pull Type I/S		TRK-2283	TRK-2761	TRK-2468 ⁵⁵
RT-8908LL	w/ Case 4303352 or 4303353		TRK-3273	TRK-3272	TRK-2468 ⁵⁵
RT-8908LL	w/ Case 4306306 or 4306522		TRK-3273A	TRK-3272A	TRK-2468 ⁵⁵
RT-9508		TRK-1000	TRK-2780		
RTF-11608	w/ 1.75" Push Type I/S		TRK-2283	TRK-2345	
RTF-11608	w/ 2" Pull Type I/S		TRK-2283	TRK-2761	TRK-2468 ⁵⁵
RTF-8608L	w/ 1.75" Push Type I/S		TRK-2283	TRK-2345	
RTF-8608L	w/ 2" Pull Type I/S		TRK-2283	TRK-2761	TRK-2468 ⁵⁵
RTF-8908LL	w/ Case 4303352 or 4303353		TRK-3273	TRK-3272	TRK-2468 ⁵⁵
RTF-8908LL	w/ Case 4306306 or 4306522		TRK-3273A	TRK-3272A	TRK-2468 ⁵⁵
RTO-11608L	w/ 1.75" Push Type I/S	TRK-203	TRK-3659	TRK-3655	
RTO-11608L	w/ 2" Pull Type I/S	TRK-203	TRK-3659	TRK-3656	TRK-2468 ⁵⁵
RTO-11708LL			TRK-3660	TRK-3657	TRK-2468 ⁵⁵
RTO-11908LL	w/ Case 4303352 or 4303353		TRK-3256	TRK-3258	TRK-2468 ⁵⁵
RTO-11908LL	w/ Case 4306306 or 4306522		TRK-3256A	TRK-3258A	TRK-2468 ⁵⁵

Heavy Duty Transmission Index

Eaton/Fuller Medium & Heavy Duty Models

8 Speed Models (cont.)

Model No.	Comments	Standard Kit	Suitcase Kit	Overhaul Kit	Clutch Install Kit
RTO-14608LL		TRK-207	TRK-1872	TRK-1979	TRK-2468 ⁵⁵
RTO-14708LL			TRK-2043	TRK-1992	TRK-2468 ⁵⁵
RTO-14908LL	w/ 85mm Aux Drive Gear Brg. & w/ Case 4303352 or 4303353		TRK-3233	TRK-4092	TRK-2468 ⁵⁵
RTO-14908LL	w/ 85mm Aux Drive Gear Brg. & w/ Case 4306306 or 4306522		TRK-3233A	TRK-4092A	TRK-2468 ⁵⁵
RTO-14908LL	w/ 90mm Aux Drive Gear Brg.		TRK-3256	TRK-3258	TRK-2468 ⁵⁵
RTO-16908LL	w/ Case 4303352 or 4303353		TRK-3233	TRK-4092	TRK-2468 ⁵⁵
RTO-16908LL	w/ Case 4306306 or 4306522		TRK-3233A	TRK-4092A	TRK-2468 ⁵⁵
RTO-9508		TRK-1000	TRK-2780		
RTOF-11608LL	w/ 1.75" Push Type I/S	TRK-203	TRK-3659	TRK-3655	
RTOF-11608LL	w/ 2" Pull Type I/S	TRK-203	TRK-3659	TRK-3656	TRK-2468 ⁵⁵
RTOF-11708LL			TRK-3660	TRK-3657	TRK-2468 ⁵⁵
RTOF-11908LL			TRK-3256	TRK-3258	TRK-2468 ⁵⁵
RTOF-14608LL		TRK-207	TRK-1872	TRK-1979	TRK-2468 ⁵⁵
RTOF-14708LL			TRK-2043	TRK-1992	TRK-2468 ⁵⁵
RTOF-14908LL	w/ 85mm Aux Drive Gear Brg. & w/ Case 4303352 or 4303353		TRK-3233	TRK-4092	TRK-2468 ⁵⁵
RTOF-14908LL	w/ 85mm Aux Drive Gear Brg. & w/ Case 4306306 or 4306522		TRK-3233A	TRK-4092A	TRK-2468 ⁵⁵
RTOF-14908LL	w/ 90mm Aux Drive Gear Brg.		TRK-3256	TRK-3258	TRK-2468 ⁵⁵
RTOF-16908LL	w/ Case 4303352 or 4303353		TRK-3233	TRK-4092	TRK-2468 ⁵⁵
RTOF-16908LL	w/ Case 4306306 or 4306522		TRK-3233A	TRK-4092A	TRK-2468 ⁵⁵
RTX-11608LL	w/ 1.75" Push Type I/S	TRK-203	TRK-3659	TRK-3655	
RTX-11608LL	w/ 2" Pull Type I/S	TRK-203	TRK-3659	TRK-3656	TRK-2468 ⁵⁵
RTX-11708LL			TRK-3660	TRK-3657	TRK-2468 ⁵⁵
RTX-14608LL		TRK-207	TRK-1872	TRK-1979	TRK-2468 ⁵⁵
RTX-14708LL			TRK-2043	TRK-1992	TRK-2468 ⁵⁵
RTXF-11608LL	w/ 1.75" Push Type I/S	TRK-203	TRK-3659	TRK-3655	
RTXF-11608LL	w/ 2" Pull Type I/S	TRK-203	TRK-3659	TRK-3656	TRK-2468 ⁵⁵
RTXF-11708LL			TRK-3660	TRK-3657	TRK-2468 ⁵⁵
RTXF-14608LL		TRK-207	TRK-1872	TRK-1979	TRK-2468 ⁵⁵
RTXF-14708LL			TRK-2043	TRK-1992	TRK-2468 ⁵⁵

9 Speed Models

FO-10E309ALL-VMS			TRK-3942		
FO-11309ALL-VMS			TRK-3942		
FO-12E309ALL-VMS			TRK-3942		
FO-14E309ALL-VMS			TRK-3942		
FO-16E309ALL-VMS			TRK-3942		
FO-17E309ALL-VMS			TRK-3942		
RT-11509			TRK-1858	TRK-1063	TRK-2468 ⁵⁵
RT-11609A	w/ 1.75" Push Type I/S		TRK-2283	TRK-2345	
RT-11609A	w/ 2" Pull Type I/S		TRK-2283	TRK-2761	TRK-2468 ⁵⁵
RT-11709A			TRK-2049	TRK-1996	TRK-2468 ⁵⁵
RT-11709H			TRK-2049	TRK-1996	TRK-2468 ⁵⁵
RT-12509		TRK-160	TRK-1861	TRK-1064	TRK-2468 ⁵⁵
RT-12609A	w/ 1.75" Push Type I/S		TRK-2283	TRK-2345	
RT-12609A	w/ 2" Pull Type I/S		TRK-2283	TRK-2761	TRK-2468 ⁵⁵
RT-12709A			TRK-2049	TRK-1996	TRK-2468
RT-12709H			TRK-2049	TRK-1996	TRK-2468
RT-13609A			TRK-2282	TRK-2344	TRK-2468 ⁵⁵
RT-13709H			TRK-2284	TRK-2762	TRK-2468 ⁵⁵
RT-14609A		TRK-205	TRK-1870	TRK-1971	TRK-2468 ⁵⁵
RT-14709A			TRK-2275	TRK-1999	TRK-2468 ⁵⁵
RT-14709H			TRK-2275	TRK-1999	TRK-2468 ⁵⁵

Heavy Duty Transmission Index

Eaton/Fuller Medium & Heavy Duty Models

9 Speed Models (cont.)

Model No.	Comments	Standard Kit	Suitcase Kit	Overhaul Kit	Clutch Install Kit
RT-6609			TRK-2048		
RT-8609			TRK-1876		TRK-2468
RT-8709B			TRK-3322	TRK-3323	TRK-2468 ⁵⁵
RT-909		TRK-1000	TRK-2780		
RT-9509		TRK-1000	TRK-2780		
RTF-11509			TRK-1858	TRK-1063	TRK-2468 ⁵⁵
RTF-11609A	w/ 1.75" Push Type I/S		TRK-2283	TRK-2345	
RTF-11609A	w/ 2" Pull Type I/S		TRK-2283	TRK-2761	TRK-2468 ⁵⁵
RTF-11709H			TRK-2049	TRK-1996	TRK-2468 ⁵⁵
RTF-12509		TRK-160	TRK-1861	TRK-1064	TRK-2468 ⁵⁵
RTF-12609A	w/ 1.75" Push Type I/S		TRK-2283	TRK-2345	
RTF-12609A	w/ 2" Pull Type I/S		TRK-2283	TRK-2761	TRK-2468 ⁵⁵
RTF-12709H			TRK-2049	TRK-1996	TRK-2468 ⁵⁵
RTF-13609A			TRK-2282	TRK-2344	TRK-2468 ⁵⁵
RTF-13709H			TRK-2284	TRK-2762	TRK-2468 ⁵⁵
RTF-14609A		TRK-205	TRK-1870	TRK-1971	TRK-2468 ⁵⁵
RTF-14709H			TRK-2275	TRK-1999	TRK-2468 ⁵⁵
RTF-8709B			TRK-3322	TRK-3323	TRK-2468 ⁵⁵
RTLC-16609E			TRK-3586	TRK-3585	TRK-2468 ⁵⁵
RTLFC-16609E			TRK-3586	TRK-3585	TRK-2468 ⁵⁵
RTLOC-16909A-T2	w/ Case 4303641		TRK-3598	TRK-3597	TRK-2468 ⁵⁵
RTLOC-16909A-T2	w/ Case 4307054		TRK-3598A	TRK-3597A	TRK-2468 ⁵⁵
RTLOFC-16909A-T2	w/ Case 4303641		TRK-3598	TRK-3597	TRK-2468 ⁵⁵
RTLOFC-16909A-T2	w/ Case 4307054		TRK-3598A	TRK-3597A	TRK-2468 ⁵⁵
RTO-11509			TRK-1858	TRK-1063	TRK-2468 ⁵⁵
RTO-11609A	w/ 1.75" Push Type I/S		TRK-2283	TRK-2345	
RTO-11609A	w/ 2" Pull Type I/S		TRK-2283	TRK-2761	TRK-2468 ⁵⁵
RTO-11609B	w/ 1.75" Push Type I/S		TRK-2283	TRK-2345	
RTO-11609B	w/ 2" Pull Type I/S		TRK-2283	TRK-2761	TRK-2468 ⁵⁵
RTO-11709A			TRK-2284	TRK-2763	TRK-2468 ⁵⁵
RTO-11709B			TRK-2284	TRK-2763	TRK-2468 ⁵⁵
RTO-11709MLL			TRK-2847	TRK-2848	TRK-2468 ⁵⁵
RTO-11909ALL	w/ Case 4303641		TRK-3283	TRK-3661	TRK-2468 ⁵⁵
RTO-11909ALL	w/ Case 4307054		TRK-3283A	TRK-3661A	TRK-2468 ⁵⁵
RTO-11909MLL	w/ Case 4303641		TRK-3283	TRK-3282	TRK-2468 ⁵⁵
RTO-11909MLL	w/ Case 4307054		TRK-3283A	TRK-3282A	TRK-2468 ⁵⁵
RTO-12509		TRK-160	TRK-1861	TRK-1064	TRK-2468 ⁵⁵
RTO-12609A	w/ 1.75" Push Type I/S		TRK-2283	TRK-2345	
RTO-12609A	w/ 2" Pull Type I/S		TRK-2283	TRK-2761	TRK-2468 ⁵⁵
RTO-12609B	w/ 1.75" Push Type I/S		TRK-2283	TRK-2345	
RTO-12609B	w/ 2" Pull Type I/S		TRK-2283	TRK-2761	TRK-2468 ⁵⁵
RTO-12709A			TRK-2284	TRK-2763	TRK-2468 ⁵⁵
RTO-12709B			TRK-2284	TRK-2763	TRK-2468 ⁵⁵
RTO-14609A		TRK-205	TRK-1870	TRK-1971	TRK-2468 ⁵⁵
RTO-14609B		TRK-205	TRK-1870	TRK-1971	TRK-2468 ⁵⁵
RTO-14709A			TRK-2275	TRK-1999	TRK-2468 ⁵⁵
RTO-14709B			TRK-2275	TRK-1999	TRK-2468 ⁵⁵
RTO-14709H			TRK-2275	TRK-1999	TRK-2468 ⁵⁵
RTO-14709MLL			TRK-2847	TRK-2848	TRK-2468 ⁵⁵
RTO-14909ALL	w/ 90mm Aux Drive Gear Brg.		TRK-3283	TRK-3282	TRK-2468 ⁵⁵
RTO-14909ALL	w/ 85mm Aux Drive Gear Brg. & w/ Case 4303352 or 4303353		TRK-3413	TRK-3414	TRK-2468 ⁵⁵
RTO-14909ALL	w/ 85mm Aux Drive Gear Brg. & w/ Case 4306306 or 4306522		TRK-3413A	TRK-3414A	TRK-2468 ⁵⁵
RTO-14909MLL	w/ Case 4303352 or 4303353		TRK-3283	TRK-3282	TRK-2468 ⁵⁵

Heavy Duty Transmission Index

Eaton/Fuller Medium & Heavy Duty Models

9 Speed Models (cont.)

Model No.	Comments	Standard Kit	Suitcase Kit	Overhaul Kit	Clutch Install Kit
RTO-14909MLL	w/ Case 4306306 or 4306522		TRK-3283A	TRK-3282A	TRK-2468 ⁵⁵
RTO-16909ALL	w/ Case 4303352 or 4303353		TRK-3413	TRK-3414	TRK-2468 ⁵⁵
RTO-16909ALL	w/ Case 4306306 or 4306522		TRK-3413A	TRK-3414A	TRK-2468 ⁵⁵
RTO-909		TRK-1000	TRK-2780		
RTO-9509		TRK-1000	TRK-2780		
RTOC-16709A			TRK-3596	TRK-3595	TRK-2468 ⁵⁵
RTOC-16909A	w/ Case 4303641		TRK-3598	TRK-3597	TRK-2468 ⁵⁵
RTOC-16909A	w/ Case 4307054		TRK-3598A	TRK-3597A	TRK-2468 ⁵⁵
RTOC-18909A	w/ Case 4303641		TRK-4057	TRK-4056	TRK-2468 ⁵⁵
RTOC-18909A	w/ Case 4307054		TRK-4057A	TRK-4056A	TRK-2468 ⁵⁵
RTOCF-16709A			TRK-3596	TRK-3595	TRK-2468 ⁵⁵
RTOCM-16909A	w/ Case 4303641		TRK-3598	TRK-3597	TRK-2468 ⁵⁵
RTOCM-16909A	w/ Case 4307054		TRK-3598A	TRK-3597A	TRK-2468 ⁵⁵
RTOF-11509			TRK-1858	TRK-1063	TRK-2468 ⁵⁵
RTOF-11609A	w/ 1.75" Push Type I/S		TRK-2283	TRK-2345	
RTOF-11609A	w/ 2" Pull Type I/S		TRK-2283	TRK-2761	TRK-2468 ⁵⁵
RTOF-11609B	w/ 1.75" Push Type I/S		TRK-2283	TRK-2345	
RTOF-11609B	w/ 2" Pull Type I/S		TRK-2283	TRK-2761	TRK-2468 ⁵⁵
RTOF-11709MLL			TRK-2847	TRK-2848	TRK-2468 ⁵⁵
RTOF-11909ALL	w/ Case 4303352 or 4303353		TRK-3283	TRK-3661	TRK-2468 ⁵⁵
RTOF-11909ALL	w/ Case 4306306 or 4306522		TRK-3283A	TRK-3661A	TRK-2468 ⁵⁵
RTOF-11909MLL	w/ Case 4303352 or 4303353		TRK-3283	TRK-3282	TRK-2468 ⁵⁵
RTOF-11909MLL	w/ Case 4306306 or 4306522		TRK-3283A	TRK-3282A	TRK-2468 ⁵⁵
RTOF-12509		TRK-160	TRK-1861	TRK-1064	TRK-2468 ⁵⁵
RTOF-12609A	w/ 1.75" Push Type I/S		TRK-2283	TRK-2345	
RTOF-12609A	w/ 2" Pull Type I/S		TRK-2283	TRK-2761	TRK-2468 ⁵⁵
RTOF-12609B	w/ 1.75" Push Type I/S		TRK-2283	TRK-2345	
RTOF-12609B	w/ 2" Pull Type I/S		TRK-2283	TRK-2761	TRK-2468 ⁵⁵
RTOF-14609A		TRK-205	TRK-1870	TRK-1971	TRK-2468 ⁵⁵
RTOF-14609B		TRK-205	TRK-1870	TRK-1971	TRK-2468 ⁵⁵
RTOF-14709MLL			TRK-2847	TRK-2848	TRK-2468 ⁵⁵
RTOF-14909ALL	w/ 90mm Aux Drive Gear Brg.		TRK-3283	TRK-3282	TRK-2468 ⁵⁵
RTOF-14909ALL	w/ 85mm Aux Drive Gear Brg. & w/ Case 4303352 or 4303353		TRK-3413	TRK-3414	TRK-2468 ⁵⁵
RTOF-14909ALL	w/ 85mm Aux Drive Gear Brg. & w/ Case 4306306 or 4306522		TRK-3413A	TRK-3414A	TRK-2468 ⁵⁵
RTOF-14909MLL	w/ Case 4303352 or 4303353		TRK-3283	TRK-3282	TRK-2468 ⁵⁵
RTOF-14909MLL	w/ Case 4306306 or 4306522		TRK-3283A	TRK-3282A	TRK-2468 ⁵⁵
RTOF-16909ALL	w/ Case 4303352 or 4303353		TRK-3413	TRK-3414	TRK-2468 ⁵⁵
RTOF-16909ALL	w/ Case 4306306 or 4306522		TRK-3413A	TRK-3414A	TRK-2468 ⁵⁵
RTOFC-16909A	w/ Case 4303641		TRK-3598	TRK-3597	TRK-2468 ⁵⁵
RTOFC-16909A	w/ Case 4307054		TRK-3598A	TRK-3597A	TRK-2468 ⁵⁵
RTX-11509			TRK-1858	TRK-1063	TRK-2468 ⁵⁵
RTX-11609A	w/ 1.75" Push Type I/S		TRK-2283	TRK-2345	
RTX-11609A	w/ 2" Pull Type I/S		TRK-2283	TRK-2761	TRK-2468 ⁵⁵
RTX-11609B	w/ 1.75" Push Type I/S		TRK-2283	TRK-2345	
RTX-11609B	w/ 2" Pull Type I/S		TRK-2283	TRK-2761	TRK-2468 ⁵⁵
RTX-11609P	w/ 1.75" Push Type I/S		TRK-2283	TRK-2345	
RTX-11609P	w/ 2" Pull Type I/S		TRK-2283	TRK-2761	TRK-2468 ⁵⁵
RTX-11609R	w/ 1.75" Push Type I/S		TRK-2283	TRK-2345	
RTX-11609R	w/ 2" Pull Type I/S		TRK-2283	TRK-2761	TRK-2468 ⁵⁵
RTX-11709A			TRK-2284	TRK-2763	TRK-2468 ⁵⁵
RTX-11709B			TRK-2284	TRK-2763	TRK-2468 ⁵⁵
RTX-11709H			TRK-2284	TRK-2763	TRK-2468 ⁵⁵
RTX-12509		TRK-160	TRK-1861	TRK-1064	

⁵⁵ Exc. Hyd. Release

Heavy Duty Transmission Index



Eaton/Fuller Medium & Heavy Duty Models

9 Speed Models (cont.)

Model No.	Comments	Standard Kit	Suitcase Kit	Overhaul Kit	Clutch Install Kit
RTX-12609A	w/ 1.75" Push Type I/S		TRK-2283	TRK-2345	
RTX-12609A	w/ 2" Pull Type I/S		TRK-2283	TRK-2761	TRK-2468 ⁵⁵
RTX-12609B	w/ 1.75" Push Type I/S		TRK-2283	TRK-2345	
RTX-12609B	w/ 2" Pull Type I/S		TRK-2283	TRK-2761	TRK-2468 ⁵⁵
RTX-12609P	w/ 1.75" Push Type I/S		TRK-2283	TRK-2345	
RTX-12609P	w/ 2" Pull Type I/S		TRK-2283	TRK-2761	TRK-2468 ⁵⁵
RTX-12609R	w/ 1.75" Push Type I/S		TRK-2283	TRK-2345	
RTX-12609R	w/ 2" Pull Type I/S		TRK-2283	TRK-2761	TRK-2468 ⁵⁵
RTX-12709A			TRK-2284	TRK-2763	TRK-2468 ⁵⁵
RTX-12709B			TRK-2284	TRK-2763	TRK-2468 ⁵⁵
RTX-12709H			TRK-2284	TRK-2763	TRK-2468 ⁵⁵
RTX-13609A			TRK-2282	TRK-2343	TRK-2468 ⁵⁵
RTX-13609B			TRK-2282	TRK-2343	TRK-2468 ⁵⁵
RTX-13609P			TRK-2282	TRK-2343	TRK-2468 ⁵⁵
RTX-13609R			TRK-2282	TRK-2343	TRK-2468 ⁵⁵
RTX-13709H			TRK-2284	TRK-2763	TRK-2468 ⁵⁵
RTX-14609A		TRK-205	TRK-1870	TRK-1971	TRK-2468 ⁵⁵
RTX-14609B		TRK-205	TRK-1870	TRK-1971	TRK-2468 ⁵⁵
RTX-14609P		TRK-205	TRK-1870	TRK-1971	TRK-2468 ⁵⁵
RTX-14609R		TRK-205	TRK-1870	TRK-1971	TRK-2468 ⁵⁵
RTX-16709B			TRK-2275	TRK-1999	TRK-2468 ⁵⁵
RTX-16709H			TRK-2275	TRK-1999	TRK-2468 ⁵⁵
RTXF-11509			TRK-1858	TRK-1063	TRK-2468 ⁵⁵
RTXF-11609A	w/ 1.75" Push Type I/S		TRK-2283	TRK-2345	
RTXF-11609A	w/ 2" Pull Type I/S		TRK-2283	TRK-2761	TRK-2468 ⁵⁵
RTXF-11609B	w/ 1.75" Push Type I/S		TRK-2283	TRK-2345	
RTXF-11609B	w/ 2" Pull Type I/S		TRK-2283	TRK-2761	TRK-2468 ⁵⁵
RTXF-11609P	w/ 1.75" Push Type I/S		TRK-2283	TRK-2345	
RTXF-11609P	w/ 2" Pull Type I/S		TRK-2283	TRK-2761	TRK-2468 ⁵⁵
RTXF-11609R	w/ 1.75" Push Type I/S		TRK-2283	TRK-2345	
RTXF-11609R	w/ 2" Pull Type I/S		TRK-2283	TRK-2761	TRK-2468 ⁵⁵
RTXF-11709H			TRK-2284	TRK-2763	TRK-2468 ⁵⁵
RTXF-12509		TRK-160	TRK-1861	TRK-1064	TRK-2468 ⁵⁵
RTXF-12609A	w/ 1.75" Push Type I/S		TRK-2283	TRK-2345	
RTXF-12609A	w/ 2" Pull Type I/S		TRK-2283	TRK-2761	TRK-2468 ⁵⁵
RTXF-12609B	w/ 1.75" Push Type I/S		TRK-2283	TRK-2345	
RTXF-12609B	w/ 2" Pull Type I/S		TRK-2283	TRK-2761	TRK-2468 ⁵⁵
RTXF-12609P	w/ 1.75" Push Type I/S		TRK-2283	TRK-2345	
RTXF-12609P	w/ 2" Pull Type I/S		TRK-2283	TRK-2761	TRK-2468 ⁵⁵
RTXF-12609R	w/ 1.75" Push Type I/S		TRK-2283	TRK-2345	
RTXF-12609R	w/ 2" Pull Type I/S		TRK-2283	TRK-2761	TRK-2468 ⁵⁵
RTXF-12709H			TRK-2284	TRK-2763	TRK-2468 ⁵⁵
RTXF-13609A			TRK-2282	TRK-2343	TRK-2468 ⁵⁵
RTXF-13609B			TRK-2282	TRK-2343	TRK-2468 ⁵⁵
RTXF-13609P			TRK-2282	TRK-2343	TRK-2468 ⁵⁵
RTXF-13609R			TRK-2282	TRK-2343	TRK-2468 ⁵⁵
RTXF-13709H			TRK-2284	TRK-2763	TRK-2468 ⁵⁵
RTXF-14609A		TRK-205	TRK-1870	TRK-1971	TRK-2468 ⁵⁵
RTXF-14609B		TRK-205	TRK-1870	TRK-1971	TRK-2468 ⁵⁵
RTXF-14609P		TRK-205	TRK-1870	TRK-1971	TRK-2468 ⁵⁵
RTXF-14609R		TRK-205	TRK-1870	TRK-1971	TRK-2468 ⁵⁵
RTXF-14709H			TRK-2275	TRK-1999	TRK-2468 ⁵⁵
RTXF-16709B			TRK-2275	TRK-1999	TRK-2468 ⁵⁵
RTXF-16709H			TRK-2275	TRK-1999	TRK-2468 ⁵⁵

HD Transmission

Heavy Duty Transmission Index

Eaton/Fuller Medium & Heavy Duty Models

10 Speed Models			
FA-14810B		TRK-4477	TRK-4476
FA-15810B		TRK-4477	TRK-4476
FAF-14810B		TRK-4477	TRK-4476
FAF-15810B		TRK-4477	TRK-4476
FAM-14810B		TRK-4477	TRK-4476
FAM-14810B-EA3	w/ Case 4308357	TRK-4237	
FAM-14810B-EA3	w/ Case 4308679 or 4308772	TRK-4451	
FAM-15810B		TRK-4477	TRK-4476
FAM-15810B-EA3	w/ Case 4308357	TRK-4237	
FAM-15810B-EA3	w/ Case 4308679 or 4308772	TRK-4451	
FAMF-14810B		TRK-4477	TRK-4476
FAMF-15810B		TRK-4477	TRK-4476
FAO-14810C		TRK-4477	TRK-4476
FAO-14810C-EA3	w/ Case 4308357	TRK-4237	
FAO-14810C-EA3	w/ Case 4308679 or 4308772	TRK-4451	
FAO-15810C		TRK-4477	TRK-4476
FAO-15810C-EA3	w/ Case 4308357	TRK-4237	
FAO-15810C-EA3	w/ Case 4308679 or 4308772	TRK-4451	
FAO-16810C		TRK-4477	TRK-4476
FAO-16810C-EA3	w/ Case 4308357	TRK-4237	
FAO-16810C-EA3	w/ Case 4308679 or 4308772	TRK-4451	
FAO-16810S-EP3	w/ Case 4308354 or 4308769	TRK-4237	
FAOF-14810C		TRK-4477	TRK-4476
FAOF-15810C		TRK-4477	TRK-4476
FAOF-16810C		TRK-4477	TRK-4476
FAOM-14810S-EC3	w/ Case 4308354 or 4308769	TRK-4237	
FAOM-15810C		TRK-4477	TRK-4476
FAOM-15810C-EA3	w/ Case 4308357	TRK-4237	
FAOM-15810C-EA3	w/ Case 4308679 or 4308772	TRK-4451	
FAOM-15810S-EC3	w/ Case 4308354 or 4308769	TRK-4237	
FAOM-15810S-EN3	w/ Case 4308357	TRK-4237	
FAOM-15810S-EP3	w/ Case 4308354 or 4308769	TRK-4237	
FAOM-16810C		TRK-4477	TRK-4476
FAOM-16810C-EA3	w/ Case 4308357	TRK-4237	
FAOM-16810C-EA3	w/ Case 4308679 or 4308772	TRK-4451	
FAOM-18910S-EC3	w/ Case 4308354 or 4308769	TRK-4237	
FAOM-18910S-EN3	w/ Case 4308354 or 4308769	TRK-4237	
FAOMF-15810C		TRK-4477	TRK-4476
FAOMF-16810C		TRK-4477	TRK-4476
FM-14D310B-LST		TRK-3522	TRK-3519
FM-14E310B-LAS		TRK-4010	
FM-15D310B-LST		TRK-3522	TRK-3519
FM-15E310B-LAS		TRK-4010	
FO-10E310C-VAS		TRK-4010	
FO-12E310C-VAS		TRK-4010	
FO-14E310C-LAS		TRK-4010	
FO-14E310C-VAS		TRK-4010	
FO-16E310C-LAS		TRK-4010	
FO-16E310C-VAS		TRK-4010	
FOM-14E310C-LAS		TRK-4010	
FOM-14E310C-VAS		TRK-4010	
FOM-15E310C-LAS		TRK-4010	
FOM-15E310C-VAS		TRK-4010	
FOM-16E310C-LAS		TRK-4010	
FOM-16E310C-VAS		TRK-4010	
FR-11210B	w/ Electronic Speedometer & w/ Case 4303750 or 4303778	TRK-2924	TRK-3600 ^{55 60}

Heavy Duty Transmission Index

Eaton/Fuller Medium & Heavy Duty Models

10 Speed Models (cont.)

Model No.	Comments	Standard Kit	Suitcase Kit	Overhaul Kit	Clutch Install Kit
FR-11210B	w/ Electronic Speedometer & w/ Case 4307055 or 4307056		TRK-2924A		TRK-3600 ^{55 60}
FR-11210B	w/ Mechanical Speedometer		TRK-3132		TRK-3600 ^{55 60}
FR-12210B	w/ Electronic Speedometer & w/ Case 4303750 or 4303778		TRK-2924		TRK-3600 ^{55 60}
FR-12210B	w/ Electronic Speedometer & w/ Case 4307055 or 4307056		TRK-2924A		TRK-3600 ^{55 60}
FR-12210B	w/ Mechanical Speedometer		TRK-3132		TRK-3600 ^{55 60}
FR-13210B	w/ Electronic Speedometer & w/ Case 4303750 or 4303778		TRK-2924		TRK-3600 ^{55 60}
FR-13210B	w/ Electronic Speedometer & w/ Case 4307055 or 4307056		TRK-2924A		TRK-3600 ^{55 60}
FR-13210B	w/ Mechanical Speedometer		TRK-3132		TRK-3600 ^{55 60}
FR-14210B	w/ Electronic Speedometer & w/ Case 4303750 or 4303778		TRK-2924		TRK-3600 ^{55 60}
FR-14210B	w/ Electronic Speedometer & w/ Case 4307055 or 4307056		TRK-2924A		TRK-3600 ^{55 60}
FR-14210B	w/ Mechanical Speedometer		TRK-3132		TRK-3600 ^{55 60}
FR-15210B	w/ Electronic Speedometer & w/ Case 4303750 or 4303778		TRK-2924		TRK-3600 ^{55 60}
FR-15210B	w/ Electronic Speedometer & w/ Case 4307055 or 4307056		TRK-2924A		TRK-3600 ^{55 60}
FR-15210B	w/ Mechanical Speedometer		TRK-3132		TRK-3600 ^{55 60}
FR-9210B	w/ Electronic Speedometer & w/ Case 4303750 or 4303778		TRK-2924		TRK-3600 ^{55 60}
FR-9210B	w/ Electronic Speedometer & w/ Case 4307055 or 4307056		TRK-2924A		TRK-3600 ^{55 60}
FR-9210B	w/ Mechanical Speedometer		TRK-3132		TRK-3600 ^{55 60}
FRF-11210B	w/ Electronic Speedometer & w/ Case 4303750 or 4303778		TRK-2924		TRK-3600 ^{55 60}
FRF-11210B	w/ Electronic Speedometer & w/ Case 4307055 or 4307056		TRK-2924A		TRK-3600 ^{55 60}
FRF-11210B	w/ Mechanical Speedometer		TRK-3132		TRK-3600 ^{55 60}
FRF-12210B	w/ Electronic Speedometer & w/ Case 4303750 or 4303778		TRK-2924		TRK-3600 ^{55 60}
FRF-12210B	w/ Electronic Speedometer & w/ Case 4307055 or 4307056		TRK-2924A		TRK-3600 ^{55 60}
FRF-12210B	w/ Mechanical Speedometer		TRK-3132		TRK-3600 ^{55 60}
FRF-13210B	w/ Electronic Speedometer & w/ Case 4303750 or 4303778		TRK-2924		TRK-3600 ^{55 60}
FRF-13210B	w/ Electronic Speedometer & w/ Case 4307055 or 4307056		TRK-2924A		TRK-3600 ^{55 60}
FRF-13210B	w/ Mechanical Speedometer		TRK-3132		TRK-3600 ^{55 60}
FRF-14210B	w/ Electronic Speedometer & w/ Case 4303750 or 4303778		TRK-2924		TRK-3600 ^{55 60}
FRF-14210B	w/ Electronic Speedometer & w/ Case 4307055 or 4307056		TRK-2924A		TRK-3600 ^{55 60}
FRF-14210B	w/ Mechanical Speedometer		TRK-3132		TRK-3600 ^{55 60}
FRF-15210B	w/ Electronic Speedometer & w/ Case 4303750 or 4303778		TRK-2924		TRK-3600 ^{55 60}
FRF-15210B	w/ Electronic Speedometer & w/ Case 4307055 or 4307056		TRK-2924A		TRK-3600 ^{55 60}
FRF-15210B	w/ Mechanical Speedometer		TRK-3132		TRK-3600 ^{55 60}
FRF-9210B	w/ Electronic Speedometer & w/ Case 4303750 or 4303778		TRK-2924		TRK-3600 ^{55 60}

HD Transmission

Heavy Duty Transmission Index

Eaton/Fuller Medium & Heavy Duty Models

10 Speed Models (cont.)

Model No.	Comments	Standard Kit	Suitcase Kit	Overhaul Kit	Clutch Install Kit
FRF-9210B	w/ Electronic Speedometer & w/ Case 4307055 or 4307056		TRK-2924A		TRK-3600 ^{55 60}
FRF-9210B	w/ Mechanical Speedometer		TRK-3132		TRK-3600 ^{55 60}
FRM-15210B	w/ Case 4303750		TRK-2924		TRK-3600 ^{55 60}
FRM-15210B	w/ Case 4307055		TRK-2924A		TRK-3600 ^{55 60}
FRO-11210B	w/ Electronic Speedometer & w/ Case 4303750 or 4303778		TRK-2924		TRK-3600 ^{55 60}
FRO-11210B	w/ Electronic Speedometer & w/ Case 4307055 or 4307056		TRK-2924A		TRK-3600 ^{55 60}
FRO-11210B	w/ Mechanical Speedometer		TRK-3132		TRK-3600 ^{55 60}
FRO-11210C	w/ Electronic Speedometer & w/ Case 4303750 or 4303778		TRK-2924		TRK-3600 ^{55 60}
FRO-11210C	w/ Electronic Speedometer & w/ Case 4307055 or 4307056		TRK-2924A		TRK-3600 ^{55 60}
FRO-11210C	w/ Mechanical Speedometer		TRK-3132		TRK-3600 ^{55 60}
FRO-12210B	w/ Electronic Speedometer & w/ Case 4303750 or 4303778		TRK-2924		TRK-3600 ^{55 60}
FRO-12210B	w/ Electronic Speedometer & w/ Case 4307055 or 4307056		TRK-2924A		TRK-3600 ^{55 60}
FRO-12210B	w/ Mechanical Speedometer		TRK-3132		TRK-3600 ^{55 60}
FRO-12210C	w/ Electronic Speedometer & w/ Case 4303750 or 4303778		TRK-2924		TRK-3600 ^{55 60}
FRO-12210C	w/ Electronic Speedometer & w/ Case 4307055 or 4307056		TRK-2924A		TRK-3600 ^{55 60}
FRO-12210C	w/ Mechanical Speedometer		TRK-3132		TRK-3600 ^{55 60}
FRO-13210B	w/ Electronic Speedometer & w/ Case 4303750 or 4303778		TRK-2924		TRK-3600 ^{55 60}
FRO-13210B	w/ Electronic Speedometer & w/ Case 4307055 or 4307056		TRK-2924A		TRK-3600 ^{55 60}
FRO-13210B	w/ Mechanical Speedometer		TRK-3132		TRK-3600 ^{55 60}
FRO-13210C	w/ Electronic Speedometer & w/ Case 4303750 or 4303778		TRK-2924		TRK-3600 ^{55 60}
FRO-13210C	w/ Electronic Speedometer & w/ Case 4307055 or 4307056		TRK-2924A		TRK-3600 ^{55 60}
FRO-13210C	w/ Mechanical Speedometer		TRK-3132		TRK-3600 ^{55 60}
FRO-14210B	w/ Electronic Speedometer & w/ Case 4303750 or 4303778		TRK-2924		TRK-3600 ^{55 60}
FRO-14210B	w/ Electronic Speedometer & w/ Case 4307055 or 4307056		TRK-2924A		TRK-3600 ^{55 60}
FRO-14210B	w/ Mechanical Speedometer		TRK-3132		TRK-3600 ^{55 60}
FRO-14210C	w/ Electronic Speedometer & w/ Case 4303750 or 4303778		TRK-2924		TRK-3600 ^{55 60}
FRO-14210C	w/ Electronic Speedometer & w/ Case 4307055 or 4307056		TRK-2924A		TRK-3600 ^{55 60}
FRO-14210C	w/ Mechanical Speedometer		TRK-3132		TRK-3600 ^{55 60}
FRO-15210B	w/ Electronic Speedometer & w/ Case 4303750 or 4303778		TRK-2924		TRK-3600 ^{55 60}
FRO-15210B	w/ Electronic Speedometer & w/ Case 4307055 or 4307056		TRK-2924A		TRK-3600 ^{55 60}
FRO-15210B	w/ Mechanical Speedometer		TRK-3132		TRK-3600 ^{55 60}
FRO-15210C	w/ Electronic Speedometer & w/ Case 4303750 or 4303778		TRK-2924		TRK-3600 ^{55 60}
FRO-15210C	w/ Electronic Speedometer & w/ Case 4307055 or 4307056		TRK-2924A		TRK-3600 ^{55 60}
FRO-15210C	w/ Mechanical Speedometer		TRK-3132		TRK-3600 ^{55 60}

HD Transmission

Heavy Duty Transmission Index

Eaton/Fuller Medium & Heavy Duty Models

10 Speed Models (cont.)

Model No.	Comments	Standard Kit	Suitcase Kit	Overhaul Kit	Clutch Install Kit
FRO-16210B	w/ Electronic Speedometer & w/ Case 4303750 or 4303778		TRK-2924		TRK-3600 ^{55 60}
FRO-16210B	w/ Electronic Speedometer & w/ Case 4307055 or 4307056		TRK-2924A		TRK-3600 ^{55 60}
FRO-16210B	w/ Mechanical Speedometer		TRK-3132		TRK-3600 ^{55 60}
FRO-16210C	w/ Electronic Speedometer & w/ Case 4303750 or 4303778		TRK-2924		TRK-3600 ^{55 60}
FRO-16210C	w/ Electronic Speedometer & w/ Case 4307055 or 4307056		TRK-2924A		TRK-3600 ^{55 60}
FRO-16210C	w/ Mechanical Speedometer		TRK-3132		TRK-3600 ^{55 60}
FRO-17210C	w/ Electronic Speedometer & w/ Case 4303750 or 4303778		TRK-2924		TRK-3600 ^{55 60}
FRO-17210C	w/ Electronic Speedometer & w/ Case 4307055 or 4307056		TRK-2924A		TRK-3600 ^{55 60}
FRO-17210C	w/ Mechanical Speedometer		TRK-3132		TRK-3600 ^{55 60}
FRO-18210C	w/ Electronic Speedometer & w/ Case 4303750 or 4303778		TRK-2924		TRK-3600 ^{55 60}
FRO-18210C	w/ Electronic Speedometer & w/ Case 4307055 or 4307056		TRK-2924A		TRK-3600 ^{55 60}
FRO-18210C	w/ Mechanical Speedometer		TRK-3132		TRK-3600 ^{55 60}
FROF-11210B	w/ Electronic Speedometer & w/ Case 4303750 or 4303778		TRK-2924		TRK-3600 ^{55 60}
FROF-11210B	w/ Electronic Speedometer & w/ Case 4307055 or 4307056		TRK-2924A		TRK-3600 ^{55 60}
FROF-11210B	w/ Mechanical Speedometer		TRK-3132		TRK-3600 ^{55 60}
FROF-11210C	w/ Electronic Speedometer & w/ Case 4303750 or 4303778		TRK-2924		TRK-3600 ^{55 60}
FROF-11210C	w/ Electronic Speedometer & w/ Case 4307055 or 4307056		TRK-2924A		TRK-3600 ^{55 60}
FROF-11210C	w/ Mechanical Speedometer		TRK-3132		TRK-3600 ^{55 60}
FROF-12210B	w/ Electronic Speedometer & w/ Case 4303750 or 4303778		TRK-2924		TRK-3600 ^{55 60}
FROF-12210B	w/ Electronic Speedometer & w/ Case 4307055 or 4307056		TRK-2924A		TRK-3600 ^{55 60}
FROF-12210B	w/ Mechanical Speedometer		TRK-3132		TRK-3600 ^{55 60}
FROF-12210C	w/ Electronic Speedometer & w/ Case 4303750 or 4303778		TRK-2924		TRK-3600 ^{55 60}
FROF-12210C	w/ Electronic Speedometer & w/ Case 4307055 or 4307056		TRK-2924A		TRK-3600 ^{55 60}
FROF-12210C	w/ Mechanical Speedometer		TRK-3132		TRK-3600 ^{55 60}
FROF-13210B	w/ Electronic Speedometer & w/ Case 4303750 or 4303778		TRK-2924		TRK-3600 ^{55 60}
FROF-13210B	w/ Electronic Speedometer & w/ Case 4307055 or 4307056		TRK-2924A		TRK-3600 ^{55 60}
FROF-13210B	w/ Mechanical Speedometer		TRK-3132		TRK-3600 ^{55 60}
FROF-13210C	w/ Electronic Speedometer & w/ Case 4303750 or 4303778		TRK-2924		TRK-3600 ^{55 60}
FROF-13210C	w/ Electronic Speedometer & w/ Case 4307055 or 4307056		TRK-2924A		TRK-3600 ^{55 60}
FROF-13210C	w/ Mechanical Speedometer		TRK-3132		TRK-3600 ^{55 60}
FROF-14210B	w/ Electronic Speedometer & w/ Case 4303750 or 4303778		TRK-2924		TRK-3600 ^{55 60}
FROF-14210B	w/ Electronic Speedometer & w/ Case 4307055 or 4307056		TRK-2924A		TRK-3600 ^{55 60}
FROF-14210B	w/ Mechanical Speedometer		TRK-3132		TRK-3600 ^{55 60}

HD Transmission

Heavy Duty Transmission Index

Eaton/Fuller Medium & Heavy Duty Models

10 Speed Models (cont.)

Model No.	Comments	Standard Kit	Suitcase Kit	Overhaul Kit	Clutch Install Kit
FROF-14210C	w/ Electronic Speedometer & w/ Case 4303750 or 4303778		TRK-2924		TRK-3600 ^{55 60}
FROF-14210C	w/ Electronic Speedometer & w/ Case 4307055 or 4307056		TRK-2924A		TRK-3600 ^{55 60}
FROF-14210C	w/ Mechanical Speedometer		TRK-3132		TRK-3600 ^{55 60}
FROF-15210B	w/ Electronic Speedometer & w/ Case 4303750 or 4303778		TRK-2924		TRK-3600 ^{55 60}
FROF-15210B	w/ Electronic Speedometer & w/ Case 4307055 or 4307056		TRK-2924A		TRK-3600 ^{55 60}
FROF-15210B	w/ Mechanical Speedometer		TRK-3132		TRK-3600 ^{55 60}
FROF-15210C	w/ Electronic Speedometer & w/ Case 4303750 or 4303778		TRK-2924		TRK-3600 ^{55 60}
FROF-15210C	w/ Electronic Speedometer & w/ Case 4307055 or 4307056		TRK-2924A		TRK-3600 ^{55 60}
FROF-15210C	w/ Mechanical Speedometer		TRK-3132		TRK-3600 ^{55 60}
FROF-16210B	w/ Electronic Speedometer & w/ Case 4303750 or 4303778		TRK-2924		TRK-3600 ^{55 60}
FROF-16210B	w/ Electronic Speedometer & w/ Case 4307055 or 4307056		TRK-2924A		TRK-3600 ^{55 60}
FROF-16210B	w/ Mechanical Speedometer		TRK-3132		TRK-3600 ^{55 60}
FROF-16210C	w/ Electronic Speedometer & w/ Case 4303750 or 4303778		TRK-2924		TRK-3600 ^{55 60}
FROF-16210C	w/ Electronic Speedometer & w/ Case 4307055 or 4307056		TRK-2924A		TRK-3600 ^{55 60}
FROF-16210C	w/ Mechanical Speedometer		TRK-3132		TRK-3600 ^{55 60}
FRW-15210B	w/ Case 4303750 or 4303778		TRK-2924		TRK-3600 ⁵⁵
FRW-15210B	w/ Case 4307055 or 4307056		TRK-2924A		TRK-3600 ^{55 60}
FRWF-15210B	w/ Case 4303750 or 4303778		TRK-2924		TRK-3600 ⁵⁵
FRWF-15210B	w/ Case 4307055 or 4307056		TRK-2924A		TRK-3600 ^{55 60}
RT-11610	w/ 1.75" Push Type I/S		TRK-2283	TRK-2345	
RT-11610	w/ 2" Pull Type I/S		TRK-2283	TRK-2761	TRK-2468 ⁵⁵
RT-11710B			TRK-2049	TRK-1996	TRK-2468 ⁵⁵
RT-12510		TRK-160	TRK-1861	TRK-1064	TRK-2468 ⁵⁵
RT-12610	w/ 1.75" Push Type I/S		TRK-2283	TRK-2345	
RT-12610	w/ 2" Pull Type I/S			TRK-2761	TRK-2468 ⁵⁵
RT-12710B			TRK-2049	TRK-1996	TRK-2468 ⁵⁵
RT-13710B			TRK-2284	TRK-2762	TRK-2468 ⁵⁵
RT-14610		TRK-205	TRK-1870	TRK-1971	TRK-2468 ⁵⁵
RT-14710B			TRK-2277	TRK-2335	TRK-2468 ⁵⁵
RT-14910B-AS2	w/ Case 4305046 or 4305047		TRK-3522	TRK-3524	TRK-2468 ⁵⁵
RT-14910B-AS2	w/ Case 4306532 or 4306552		TRK-3522A	TRK-3524A	TRK-2468 ⁵⁵
RT-6610	w/ 25mm Aux C/S Front Brg.	TRK-145			
RT-6610	w/ 30mm Aux C/S Front Brg.		TRK-1850		
RT-9710B			TRK-3322	TRK-3323	TRK-2468 ⁵⁵
RTF-11610	w/ 1.75" Push Type I/S		TRK-2283	TRK-2345	
RTF-11610	w/ 2" Pull Type I/S		TRK-2283	TRK-2761	TRK-2468 ⁵⁵
RTF-11710B			TRK-2049	TRK-1996	TRK-2468 ⁵⁵
RTF-12510		TRK-160	TRK-1861	TRK-1064	TRK-2468 ⁵⁵
RTF-12610			TRK-2283	TRK-2345	TRK-2468 ⁵⁵
RTF-12610			TRK-2283	TRK-2761	TRK-2468 ⁵⁵
RTF-12710B			TRK-2049	TRK-1996	TRK-2468 ⁵⁵
RTF-13710B			TRK-2284	TRK-2762	TRK-2468 ⁵⁵
RTF-14610		TRK-205	TRK-1870	TRK-1971	TRK-2468 ⁵⁵
RTF-14710B			TRK-2277	TRK-2335	TRK-2468 ⁵⁵
RTF-9710B			TRK-3322	TRK-3323	TRK-2468 ⁵⁵

Heavy Duty Transmission Index



Eaton/Fuller Medium & Heavy Duty Models

10 Speed Models (cont.)

Model No.	Comments	Standard Kit	Suitcase Kit	Overhaul Kit	Clutch Install Kit
RTL-13710B			TRK-2284		TRK-2468 ⁵⁵
RTL-14710B			TRK-3553	TRK-3554	TRK-2468 ⁵⁵
RTLF-13710B			TRK-2284		TRK-2468 ⁵⁵
RTLF-14710B			TRK-3553	TRK-3554	TRK-2468 ⁵⁵
RTLO-11610B			TRK-2772	TRK-2764	TRK-2468 ⁵⁵
RTLO-11610B-T2			TRK-2772	TRK-2764	TRK-2468 ⁵⁵
RTLO-12610B			TRK-2772	TRK-2764	TRK-2468 ⁵⁵
RTLO-12610B-T2			TRK-2772	TRK-2764	TRK-2468 ⁵⁵
RTLO-13610B			TRK-2772	TRK-2764	TRK-2468 ⁵⁵
RTLO-13610B-T2			TRK-2772	TRK-2764	TRK-2468 ⁵⁵
RTLO-14610A			TRK-2998		TRK-2468 ⁵⁵
RTLO-14610B			TRK-2773	TRK-2765	TRK-2468 ⁵⁵
RTLO-14610B-T2			TRK-2773	TRK-2765	TRK-2468 ⁵⁵
RTLO-15610B			TRK-2773	TRK-2765	TRK-2468 ⁵⁵
RTLO-15610B-T2			TRK-2773	TRK-2765	
RTLO-16610B			TRK-2773	TRK-2765	TRK-2468 ⁵⁵
RTLO-16610B-T2			TRK-2773	TRK-2765	
RTLO-17610B			TRK-2773	TRK-2765	
RTLO-17610B-T2			TRK-2773	TRK-2765	
RTLO-18610B			TRK-2773	TRK-2765	
RTLO-18610B-T2			TRK-2773	TRK-2765	
RTLOF-11610B			TRK-2772	TRK-2764	TRK-2468 ⁵⁵
RTLOF-11610B-T2			TRK-2772	TRK-2764	TRK-2468 ⁵⁵
RTLOF-12610B			TRK-2772	TRK-2764	TRK-2468 ⁵⁵
RTLOF-12610B-T2			TRK-2772	TRK-2764	TRK-2468 ⁵⁵
RTLOF-13610B			TRK-2772	TRK-2764	TRK-2468 ⁵⁵
RTLOF-13610B-T2			TRK-2772	TRK-2764	TRK-2468 ⁵⁵
RTLOF-14610B			TRK-2773	TRK-2765	TRK-2468 ⁵⁵
RTLOF-14610B-T2			TRK-2773	TRK-2765	
RTLOF-15610B			TRK-2773	TRK-2765	TRK-2468 ⁵⁵
RTLOF-15610B-T2			TRK-2773	TRK-2765	
RTLOF-16610B			TRK-2773	TRK-2765	TRK-2468 ⁵⁵
RTLOF-16610B-T2			TRK-2773	TRK-2765	
RTLOF-17610B			TRK-2773	TRK-2765	
RTLOF-17610B-T2			TRK-2773	TRK-2765	
RTLOF-18610B			TRK-2773	TRK-2765	
RTO-10710B-AS2			TRK-3488		
RTO-10910B-AS2	w/ Case 4305046 or 4305047		TRK-3522	TRK-3524	TRK-2468 ⁵⁵
RTO-10910B-AS2	w/ Case 4306532 or 4306552		TRK-3522A	TRK-3524A	TRK-2468 ⁵⁵
RTO-10910B-AS3	w/ Case 4305046 or 4305047		TRK-3522	TRK-3519	
RTO-10910B-AS3	w/ Case 4306532 or 4306552		TRK-3522A	TRK-3519A	
RTO-10910B-DM2	w/ Case 4305046 or 4305047		TRK-3522	TRK-3519	
RTO-10910B-DM2	w/ Case 4306532 or 4306552		TRK-3522A	TRK-3519A	
RTO-10910B-DM3	w/ Case 4305046 or 4305047		TRK-3522	TRK-3519	
RTO-10910B-DM3	w/ Case 4306532 or 4306552		TRK-3522A	TRK-3519A	
RTO-11610	w/ 1.75" Push Type I/S		TRK-2283	TRK-2345	
RTO-11610	w/ 2" Pull Type I/S		TRK-2283	TRK-2761	TRK-2468 ⁵⁵
RTO-12510		TRK-160	TRK-1861	TRK-1064	TRK-2468 ⁵⁵
RTO-12610	w/ 1.75" Push Type I/S		TRK-2283	TRK-2345	
RTO-12610	w/ 2" Pull Type I/S		TRK-2283	TRK-2761	TRK-2468 ⁵⁵
RTO-12710B-AS2			TRK-3488		TRK-2468 ⁵⁵
RTO-12910B-AS2	w/ Case 4305046 or 4305047		TRK-3522	TRK-3524	TRK-2468 ⁵⁵
RTO-12910B-AS2	w/ Case 4306532 or 4306552		TRK-3522A	TRK-3524A	TRK-2468 ⁵⁵
RTO-12910B-AS3	w/ Case 4305046 or 4305047		TRK-3522	TRK-3519	
RTO-12910B-AS3	w/ Case 4306532 or 4306552		TRK-3522A	TRK-3519A	

HD Transmission

Heavy Duty Transmission Index

Eaton/Fuller Medium & Heavy Duty Models

10 Speed Models (cont.)

Model No.	Comments	Standard Kit	Suitcase Kit	Overhaul Kit	Clutch Install Kit
RTO-12910B-DM2	w/ Case 4305046 or 4305047		TRK-3522	TRK-3519	
RTO-12910B-DM2	w/ Case 4306532 or 4306552		TRK-3522A	TRK-3519A	
RTO-12910B-DM3	w/ Case 4305046 or 4305047		TRK-3522	TRK-3519	
RTO-12910B-DM3	w/ Case 4306532 or 4306552		TRK-3522A	TRK-3519A	
RTO-14610		TRK-205	TRK-1870	TRK-1971	TRK-2468 ⁵⁵
RTO-14710B-AS2			TRK-3487	TRK-3486	TRK-2468 ⁵⁵
RTO-14710C-AS2			TRK-3487	TRK-3486	TRK-2468 ⁵⁵
RTO-14910B-AS2	w/ Case 4305046 or 4305047		TRK-3522	TRK-3519	TRK-2468 ⁵⁵
RTO-14910B-AS2	w/ Case 4306532 or 4306552		TRK-3522A	TRK-3519A	TRK-2468 ⁵⁵
RTO-14910B-AS3	w/ Case 4305046 or 4305047		TRK-3522	TRK-3519	
RTO-14910B-AS3	w/ Case 4306532 or 4306552		TRK-3522A	TRK-3519A	
RTO-14910B-DM2	w/ Case 4305046 or 4305047		TRK-3522	TRK-3519	
RTO-14910B-DM2	w/ Case 4306532 or 4306552		TRK-3522A	TRK-3519A	
RTO-14910B-DM3	w/ Case 4305046 or 4305047		TRK-3522	TRK-3519	
RTO-14910B-DM3	w/ Case 4306532 or 4306552		TRK-3522A	TRK-3519A	
RTO-14910C-AS2	w/ Case 4305046 or 4305047		TRK-3522	TRK-3519	TRK-2468 ⁵⁵
RTO-14910C-AS2	w/ Case 4306532 or 4306552		TRK-3522A	TRK-3519A	TRK-2468 ⁵⁵
RTO-14910C-AS3	w/ Case 4305046 or 4305047		TRK-3522	TRK-3519	
RTO-14910C-AS3	w/ Case 4306532 or 4306552		TRK-3522A	TRK-3519A	
RTO-15210C	w/ Electronic Speedometer & w/ Case 4303750 or 4303778		TRK-2924		TRK-3600 ^{55 60}
RTO-15210C	w/ Electronic Speedometer & w/ Case 4307055 or 4307056		TRK-2924A		TRK-3600 ^{55 60}
RTO-15210C	w/ Mechanical Speedometer		TRK-3132		TRK-3600 ^{55 60}
RTO-16210C	w/ Electronic Speedometer & w/ Case 4303750 or 4303778		TRK-2924		TRK-3600 ^{55 60}
RTO-16210C	w/ Electronic Speedometer & w/ Case 4307055 or 4307056		TRK-2924A		TRK-3600 ^{55 60}
RTO-16210C	w/ Mechanical Speedometer		TRK-3132		TRK-3600 ^{55 60}
RTO-16710B-AS2			TRK-3487	TRK-3486	TRK-2468 ⁵⁵
RTO-16710C-AS2			TRK-3487	TRK-3486	TRK-2468 ⁵⁵
RTO-16910B-AS2	w/ Case 4305046 or 4305047		TRK-3522	TRK-3519	TRK-2468 ⁵⁵
RTO-16910B-AS2	w/ Case 4306532 or 4306552		TRK-3522A	TRK-3519A	TRK-2468 ⁵⁵
RTO-16910B-AS3	w/ Case 4305046 or 4305047		TRK-3522	TRK-3519	
RTO-16910B-AS3	w/ Case 4306532 or 4306552		TRK-3522A	TRK-3519A	
RTO-16910B-DM2	w/ Case 4305046 or 4305047		TRK-3522	TRK-3519	
RTO-16910B-DM2	w/ Case 4306532 or 4306552		TRK-3522A	TRK-3519A	
RTO-16910B-DM3	w/ Case 4305046 or 4305047		TRK-3522	TRK-3519	
RTO-16910B-DM3	w/ Case 4306532 or 4306552		TRK-3522A	TRK-3519A	
RTO-16910C-AS2	w/ Case 4305046 or 4305047		TRK-3522	TRK-3519	TRK-2468 ⁵⁵
RTO-16910C-AS2	w/ Case 4306532 or 4306552		TRK-3522A	TRK-3519A	TRK-2468 ⁵⁵
RTO-16910C-AS3	w/ Case 4305046 or 4305047		TRK-3522	TRK-3519	
RTO-16910C-AS3	w/ Case 4306532 or 4306552		TRK-3522A	TRK-3519A	
RTO-18910B-AS2	w/ Case 4305046 or 4305047		TRK-3522	TRK-3519	TRK-2468 ⁵⁵
RTO-18910B-AS2	w/ Case 4306532 or 4306552		TRK-3522A	TRK-3519A	TRK-2468 ⁵⁵
RTO-18910B-AS3	w/ Case 4305046 or 4305047		TRK-3522	TRK-3519	
RTO-18910B-AS3	w/ Case 4306532 or 4306552		TRK-3522A	TRK-3519A	
RTO-6610	w/ 30mm Aux C/S Front Brg.		TRK-1850		
RTOF-11610	w/ 1.75" Push Type I/S		TRK-2283	TRK-2345	
RTOF-11610	w/ 2" Pull Type I/S		TRK-2283	TRK-2761	TRK-2468 ⁵⁵
RTOF-12510		TRK-160	TRK-1861	TRK-1064	TRK-2468 ⁵⁵
RTOF-12610	w/ 1.75" Push Type I/S		TRK-2283	TRK-2345	
RTOF-12610	w/ 2" Pull Type I/S		TRK-2283	TRK-2761	TRK-2468 ⁵⁵
RTOF-14610		TRK-205	TRK-1870	TRK-1971	TRK-2468 ⁵⁵

HD Transmission

Heavy Duty Transmission Index

Eaton/Fuller Medium & Heavy Duty Models

10 Speed Models (cont.)

Model No.	Comments	Standard Kit	Suitcase Kit	Overhaul Kit	Clutch Install Kit
RTOF-15210C	w/ Electronic Speedometer & w/ Case 4303750 or 4303778		TRK-2924		TRK-3600 ^{55 60}
RTOF-15210C	w/ Electronic Speedometer & w/ Case 4307055 or 4307056		TRK-2924A		TRK-3600 ^{55 60}
RTOF-15210C	w/ Mechanical Speedometer		TRK-3132		TRK-3600 ^{55 60}
RTOF-16210C	w/ Electronic Speedometer & w/ Case 4303750 or 4303778		TRK-2924		TRK-3600 ^{55 60}
RTOF-16210C	w/ Electronic Speedometer & w/ Case 4307055 or 4307056		TRK-2924A		TRK-3600 ^{55 60}
RTOF-16210C	w/ Mechanical Speedometer		TRK-3132		TRK-3600 ^{55 60}
RTOM-16910B-DM3	w/ Case 4305046 or 4305047		TRK-3522	TRK-3519	
RTOM-16910B-DM3	w/ Case 4306532 or 4306552		TRK-3522A	TRK-3519A	
RTX-11610	w/ 1.75" Push Type I/S		TRK-2283	TRK-2345	
RTX-11610	w/ 2" Pull Type I/S		TRK-2283	TRK-2761	TRK-2468 ⁵⁵
RTX-11710B			TRK-2284	TRK-2763	TRK-2468 ⁵⁵
RTX-11710C			TRK-2284	TRK-2763	TRK-2468 ⁵⁵
RTX-12510		TRK-160	TRK-1861	TRK-1064	
RTX-12610	w/ 1.75" Push Type I/S		TRK-2283	TRK-2345	
RTX-12610	w/ 2" Pull Type I/S		TRK-2283	TRK-2761	TRK-2468 ⁵⁵
RTX-12710B			TRK-2284	TRK-2763	TRK-2468 ⁵⁵
RTX-12710C			TRK-2284	TRK-2763	TRK-2468 ⁵⁵
RTX-13710B			TRK-2284	TRK-2763	TRK-2468 ⁵⁵
RTX-13710C			TRK-2284	TRK-2763	TRK-2468 ⁵⁵
RTX-14610		TRK-205	TRK-1870	TRK-1971	TRK-2468 ⁵⁵
RTX-14710B			TRK-2277	TRK-2336	TRK-2468 ⁵⁵
RTX-14710C			TRK-2277	TRK-2336	TRK-2468 ⁵⁵
RTX-15710B			TRK-2277	TRK-2336	TRK-2468 ⁵⁵
RTX-15710C			TRK-2277	TRK-2336	TRK-2468 ⁵⁵
RTX-16710B			TRK-2277	TRK-2336	TRK-2468 ⁵⁵
RTX-16710C			TRK-2277	TRK-2336	TRK-2468 ⁵⁵
RTXF-11610	w/ 1.75" Push Type I/S		TRK-2283	TRK-2345	
RTXF-11610	w/ 2" Pull Type I/S		TRK-2283	TRK-2761	TRK-2468 ⁵⁵
RTXF-11710B			TRK-2284	TRK-2763	TRK-2468 ⁵⁵
RTXF-11710C			TRK-2284	TRK-2763	TRK-2468 ⁵⁵
RTXF-12510		TRK-160	TRK-1861	TRK-1064	TRK-2468 ⁵⁵
RTXF-12610	w/ 1.75" Push Type I/S		TRK-2283	TRK-2345	TRK-2468
RTXF-12610	w/ 2" Pull Type I/S		TRK-2283	TRK-2761	TRK-2468 ⁵⁵
RTXF-12710B			TRK-2284	TRK-2763	TRK-2468 ⁵⁵
RTXF-12710C			TRK-2284	TRK-2763	TRK-2468 ⁵⁵
RTXF-13710B			TRK-2284	TRK-2763	TRK-2468 ⁵⁵
RTXF-13710C			TRK-2284	TRK-2763	TRK-2468 ⁵⁵
RTXF-14610		TRK-205	TRK-1870	TRK-1971	TRK-2468 ⁵⁵
RTXF-14710C			TRK-2277	TRK-2336	TRK-2468 ⁵⁵
RTXF-15710B			TRK-2277	TRK-2336	TRK-2468 ⁵⁵
RTXF-15710C			TRK-2277	TRK-2336	TRK-2468 ⁵⁵
RTXF-16710B			TRK-2277	TRK-2336	TRK-2468 ⁵⁵
RTXF-16710C			TRK-2277	TRK-2336	TRK-2468 ⁵⁵
13 Speed Models					
FO-14E313A-MHP	Before 3-20-17		TRK-3941		
FO-14E313A-MHP	After 3-20-17		TRK-3941A		
FO-16D313E-LEP			TRK-3512	TRK-3513	
FO-16E313A-MHP	Before 3-20-17		TRK-3941		
FO-16E313A-MHP	After 3-20-17		TRK-3941A		
FO-16E313A-VHP			TRK-3941		
FO-18E313A-MHP	Before 3-20-17		TRK-3941		

HD Transmission

Heavy Duty Transmission Index

Eaton/Fuller Medium & Heavy Duty Models

13 Speed Models (cont.)

Model No.	Comments	Standard Kit	Suitcase Kit	Overhaul Kit	Clutch Install Kit
FO-18E313A-MHP	After 3-20-17		TRK-3941A		
FO-18E313A-VHP			TRK-3941		
FO-20E313A-MHP			TRK-3941		
FO-20E313A-VHP			TRK-3941		
FOM-16D313E-LEP			TRK-3512	TRK-3513	
RT-11613	w/ Tapered Aux. C/S Brgs.		TRK-2281	TRK-2342	TRK-2468 ⁵⁵
RT-11613	w/ 1.75" Push Type I/S & w/o Tapered Aux. C/S Brgs.		TRK-2283	TRK-2345	
RT-11613	w/ 2" Pull Type I/S & w/o Tapered Aux. C/S Brgs.		TRK-2283	TRK-2761	TRK-2468 ⁵⁵
RT-14613	w/o Tapered Aux. C/S Brgs.	TRK-206	TRK-1871	TRK-1972	TRK-2468 ⁵⁵
RT-14613	w/ Tapered Aux. C/S Brgs.		TRK-2280	TRK-2341	TRK-2468 ⁵⁵
RT-15613	w/o Tapered Aux. C/S Brgs.		TRK-1874	TRK-1972	TRK-2468 ⁵⁵
RT-15613	w/ Tapered Aux. C/S Brgs.		TRK-2280	TRK-2341	TRK-2468 ⁵⁵
RT-6613		TRK-146	TRK-1851		
RT-913		TRK-1000	TRK-2780		
RT-9513		TRK-1000	TRK-2780		
RTF-11613	w/ Tapered Aux. C/S Brgs.		TRK-2281	TRK-2342	TRK-2468 ⁵⁵
RTF-11613	w/ 1.75" Push Type I/S & w/o Tapered Aux. C/S Brgs.		TRK-2283	TRK-2345	
RTF-11613	w/ 2" Pull Type I/S & w/o Tapered Aux. C/S Brgs.		TRK-2283	TRK-2761	TRK-2468 ⁵⁵
RTF-12513		TRK-149	TRK-1862		
RTF-14613	w/o Tapered Aux. C/S Brgs.	TRK-206	TRK-1871	TRK-1972	TRK-2468 ⁵⁵
RTF-14613	w/ Tapered Aux. C/S Brgs.		TRK-2280	TRK-2341	TRK-2468 ⁵⁵
RTF-15613	w/o Tapered Aux. C/S Brgs.		TRK-1874	TRK-1972	TRK-2468 ⁵⁵
RTF-15613	w/ Tapered Aux. C/S Brgs.		TRK-2280	TRK-2341	TRK-2468 ⁵⁵
RTLO-12713A			TRK-2285	TRK-2767	TRK-2468 ⁵⁵
RTLO-12913A	w/ Forced Lubrication & w/ Case 4303641		TRK-3343	TRK-3342	TRK-2468 ⁵⁵
RTLO-12913A	w/ Forced Lubrication & w/ Case 4307054		TRK-3343A	TRK-3342A	TRK-2468 ⁵⁵
RTLO-12913A	w/o Forced Lubrication		TRK-3351	TRK-3350	TRK-2468 ⁵⁵
RTLO-14613B			TRK-2996	TRK-2993	TRK-2468 ⁵⁵
RTLO-14713A			TRK-2286	TRK-2758	TRK-2468 ⁵⁵
RTLO-14913A	w/ Forced Lubrication & w/ Case 4303641		TRK-3343	TRK-3342	TRK-2468 ⁵⁵
RTLO-14913A	w/ Forced Lubrication & w/ Case 4307054		TRK-3343A	TRK-3342A	TRK-2468 ⁵⁵
RTLO-14913A	w/o Forced Lubrication		TRK-3348	TRK-3347	TRK-2468 ⁵⁵
RTLO-16713A	w/ Serial # 51126220 & Lower		TRK-2287	TRK-2770	TRK-2468 ⁵⁵
RTLO-16713A	w/ Serial # 51126221 & Higher or Beginning with a Letter		TRK-3346	TRK-3345	TRK-2468 ⁵⁵
RTLO-16713A-T2			TRK-3596	TRK-3595	TRK-2468 ⁵⁵
RTLO-16913A	w/ Case 4303641		TRK-3343	TRK-3342	TRK-2468 ⁵⁵
RTLO-16913A	w/ Case 4307054		TRK-3343A	TRK-3342A	TRK-2468 ⁵⁵
RTLO-16913A-T2	w/ Case 4303641		TRK-3426	TRK-3425	TRK-2468 ⁵⁵
RTLO-16913A-T2	w/ Case 4307054		TRK-3426A	TRK-3425A	TRK-2468 ⁵⁵
RTLO-16913L-DM3	w/ Case 4303641		TRK-3512	TRK-3513	
RTLO-16913L-DM3	w/ Case 4307054		TRK-3512A	TRK-3513A	
RTLO-18913A	w/ Serial # 51126220 & Lower		TRK-3286	TRK-3287	TRK-2468 ⁵⁵
RTLO-18913A	w/ Serial # 51126221 & Higher or Beginning with a Letter & w/ Case 4303641		TRK-3343	TRK-3342	TRK-2468 ⁵⁵
RTLO-18913A	w/ Serial # 51126221 & Higher or Beginning with a Letter & w/ Case 4307054		TRK-3343A	TRK-3342A	TRK-2468 ⁵⁵
RTLO-18913A-T2	w/ Serial # 51126220 & Lower		TRK-3286	TRK-3287	TRK-2468 ⁵⁵
RTLO-18913A-T2	w/ Serial # 51126221 & Higher or Beginning with a Letter & w/ Case 4303641		TRK-3426	TRK-3425	TRK-2468 ⁵⁵
RTLO-18913A-T2	w/ Serial # 51126221 & Higher or Beginning with a Letter & w/ Case 4307054		TRK-3426A	TRK-3425A	TRK-2468 ⁵⁵
RTLO-20913A	w/ Case 4303586		TRK-3460	TRK-3459	TRK-2468 ⁵⁵

Heavy Duty Transmission Index



Eaton/Fuller Medium & Heavy Duty Models

13 Speed Models (cont.)

Model No.	Comments	Standard Kit	Suitcase Kit	Overhaul Kit	Clutch Install Kit
RTLO-20913A	w/ Case 4306307		TRK-3460A	TRK-3459A	TRK-2468 ⁵⁵
RTLOF-12713A			TRK-2285	TRK-2767	TRK-2468 ⁵⁵
RTLOF-12913A	w/ Forced Lubrication & w/ Case 4303641		TRK-3343	TRK-3342	TRK-2468 ⁵⁵
RTLOF-12913A	w/ Forced Lubrication & w/ Case 4307054		TRK-3343A	TRK-3342A	TRK-2468 ⁵⁵
RTLOF-12913A	w/o Forced Lubrication		TRK-3351	TRK-3350	TRK-2468 ⁵⁵
RTLOF-14613B			TRK-2996	TRK-2993	TRK-2468 ⁵⁵
RTLOF-14713A			TRK-2286	TRK-2758	TRK-2468 ⁵⁵
RTLOF-14913A	w/ Forced Lubrication & w/ Case 4303641		TRK-3343	TRK-3342	TRK-2468 ⁵⁵
RTLOF-14913A	w/ Forced Lubrication & w/ Case 4307054		TRK-3343A	TRK-3342A	TRK-2468 ⁵⁵
RTLOF-14913A	w/o Forced Lubrication		TRK-3348	TRK-3347	TRK-2468 ⁵⁵
RTLOF-16713A	w/ Serial # 51126220 & Lower		TRK-2287	TRK-2770	TRK-2468 ⁵⁵
RTLOF-16713A	w/ Serial # 51126221 & Higher or Beginning with a Letter		TRK-3346	TRK-3345	TRK-2468 ⁵⁵
RTLOF-16713A-T2			TRK-3596	TRK-3595	TRK-2468 ⁵⁵
RTLOF-16913A	w/ Forced Lubrication & w/ Case 4303641		TRK-3343	TRK-3342	TRK-2468 ⁵⁵
RTLOF-16913A	w/ Forced Lubrication & w/ Case 4307054		TRK-3343A	TRK-3342A	TRK-2468 ⁵⁵
RTLOF-16913A-T2	w/ Forced Lubrication & w/ Case 4303641		TRK-3426	TRK-3425	TRK-2468 ⁵⁵
RTLOF-16913A-T2	w/ Forced Lubrication & w/ Case 4307054		TRK-3426A	TRK-3425A	TRK-2468 ⁵⁵
RTLOF-18913A	w/ Serial # 51126220 & Lower		TRK-3286	TRK-3287	TRK-2468 ⁵⁵
RTLOF-18913A	w/ Serial # 51126221 & Higher or Beginning with a Letter & w/ Case 4303641		TRK-3343	TRK-3342	TRK-2468 ⁵⁵
RTLOF-18913A	w/ Serial # 51126221 & Higher or Beginning with a Letter & w/ Case 4307054		TRK-3343A	TRK-3342A	TRK-2468 ⁵⁵
RTLOF-18913A-T2	w/ Serial # 51126220 & Lower		TRK-3286	TRK-3287	TRK-2468 ⁵⁵
RTLOF-18913A-T2	w/ Serial # 51126221 & Higher or Beginning with a Letter & w/ Case 4303641		TRK-3426	TRK-3425	TRK-2468 ⁵⁵
RTLOF-18913A-T2	w/ Serial # 51126221 & Higher or Beginning with a Letter & w/ Case 4307054		TRK-3426A	TRK-3425A	TRK-2468 ⁵⁵
RTLOF-20913A	w/ Case 4303586		TRK-3460	TRK-3459	TRK-2468 ⁵⁵
RTLOF-20913A	w/ Case 4306307		TRK-3460A	TRK-3459A	TRK-2468 ⁵⁵
RTL0M-16913L-DM3	w/ Case 4303586		TRK-3512	TRK-3513	TRK-2468 ⁵⁵
RTL0M-16913L-DM3	w/ Case 4306307		TRK-3512A	TRK-3513A	TRK-2468 ⁵⁵
RTO-11613	w/ Tapered Aux. C/S Brgs.		TRK-2281	TRK-2342	TRK-2468 ⁵⁵
RTO-11613	w/ 1.75" Push Type I/S & w/o Tapered Aux. C/S Brgs.		TRK-2283	TRK-2345	
RTO-11613	w/ 2" Pull Type I/S & w/o Tapered Aux. C/S Brgs.		TRK-2283	TRK-2761	TRK-2468 ⁵⁵
RTO-11813	w/ Tapered Aux. C/S Brgs.		TRK-2281	TRK-2342	TRK-2468 ⁵⁵
RTO-11813	w/ 1.75" Push Type I/S & w/o Tapered Aux. C/S Brgs.		TRK-2283	TRK-2345	
RTO-11813	w/ 2" Pull Type I/S & w/o Tapered Aux. C/S Brgs.		TRK-2283	TRK-2761	TRK-2468 ⁵⁵
RTO-12513		TRK-149	TRK-1862		
RTO-14613	w/o Tapered Aux. C/S Brgs.	TRK-206	TRK-1871	TRK-1972	TRK-2468 ⁵⁵
RTO-14613	w/ Tapered Aux. C/S Brgs.		TRK-2280	TRK-2341	TRK-2468 ⁵⁵
RTO-14813	w/o Tapered Aux. C/S Brgs.	TRK-206	TRK-1871	TRK-1972	TRK-2468 ⁵⁵
RTO-14813	w/ Tapered Aux. C/S Brgs.		TRK-2280	TRK-2341	TRK-2468 ⁵⁵
RTO-15613	w/o Tapered Aux. C/S Brgs.		TRK-1874	TRK-1972	TRK-2468 ⁵⁵
RTO-15613	w/ Tapered Aux. C/S Brgs.		TRK-2280	TRK-2341	TRK-2468 ⁵⁵
RTO-15813	w/o Tapered Aux. C/S Brgs.		TRK-1874	TRK-1972	TRK-2468 ⁵⁵
RTO-15813	w/ Tapered Aux. C/S Brgs.		TRK-2280	TRK-2341	TRK-2468 ⁵⁵
RTO-6613		TRK-146	TRK-1851		
RTO-913		TRK-1000			
RTO-9513		TRK-1000	TRK-2780		
RTOF-11613	w/ Tapered Aux. C/S Brgs.		TRK-2281	TRK-2342	TRK-2468 ⁵⁵
RTOF-11613	w/ 1.75" Push Type I/S & w/o Tapered Aux. C/S Brgs.		TRK-2283	TRK-2345	

HD Transmission

Heavy Duty Transmission Index

Eaton/Fuller Medium & Heavy Duty Models

13 Speed Models (cont.)

Model No.	Comments	Standard Kit	Suitcase Kit	Overhaul Kit	Clutch Install Kit
RTOF-11613	w/ 2" Pull Type I/S & w/o Tapered Aux. C/S Brgs.		TRK-2283	TRK-2761	TRK-2468 ⁵⁵
RTOF-11813	w/ Tapered Aux. C/S Brgs.		TRK-2281	TRK-2342	TRK-2468 ⁵⁵
RTOF-11813	w/ 1.75" Push Type I/S & w/o Tapered Aux. C/S Brgs.		TRK-2283	TRK-2345	
RTOF-11813	w/ 2" Pull Type I/S & w/o Tapered Aux. C/S Brgs.		TRK-2283	TRK-2761	TRK-2468 ⁵⁵
RTOF-12513		TRK-149	TRK-1862		
RTOF-14613	w/o Tapered Aux. C/S Brgs.	TRK-206	TRK-1871	TRK-1972	TRK-2468 ⁵⁵
RTOF-14613	w/ Tapered Aux. C/S Brgs.		TRK-2280	TRK-2341	TRK-2468 ⁵⁵
RTOF-14813	w/o Tapered Aux. C/S Brgs.	TRK-206	TRK-1871	TRK-1972	TRK-2468 ⁵⁵
RTOF-14813	w/ Tapered Aux. C/S Brgs.		TRK-2280	TRK-2341	TRK-2468 ⁵⁵
RTOF-15613	w/o Tapered Aux. C/S Brgs.		TRK-1874	TRK-1972	TRK-2468 ⁵⁵
RTOF-15613	w/ Tapered Aux. C/S Brgs.		TRK-2280	TRK-2341	TRK-2468 ⁵⁵
RTOF-15813	w/o Tapered Aux. C/S Brgs.		TRK-1874	TRK-1972	TRK-2468 ⁵⁵
RTOF-15813	w/ Tapered Aux. C/S Brgs.		TRK-2280	TRK-2341	TRK-2468 ⁵⁵
RTOO-11613	w/ Tapered Aux. C/S Brgs.		TRK-2281	TRK-2342	
RTOO-11613	w/ 1.75" Push Type I/S & w/o Tapered Aux. C/S Brgs.		TRK-2283	TRK-2345	
RTOO-11613	w/ 2" Pull Type I/S & w/o Tapered Aux. C/S Brgs.		TRK-2283	TRK-2761	
RTOO-14613	w/o Tapered Aux. C/S Brgs.	TRK-206	TRK-1871	TRK-1972	TRK-2468 ⁵⁵
RTOO-14613	w/ Tapered Aux. C/S Brgs.		TRK-2280	TRK-2341	TRK-2468 ⁵⁵
RTOOF-11613	w/ Tapered Aux. C/S Brgs.		TRK-2281	TRK-2342	TRK-2468 ⁵⁵
RTOOF-11613	w/ 1.75" Push Type I/S & w/o Tapered Aux. C/S Brgs.		TRK-2283	TRK-2345	
RTOOF-11613	w/ 2" Pull Type I/S & w/o Tapered Aux. C/S Brgs.		TRK-2283	TRK-2761	TRK-2468 ⁵⁵
RTOOF-14613	w/o Tapered Aux. C/S Brgs.	TRK-206	TRK-1871	TRK-1972	TRK-2468 ⁵⁵
RTOOF-14613	w/ Tapered Aux. C/S Brgs.		TRK-2280	TRK-2341	TRK-2468 ⁵⁵
RTOX-11613	w/ Tapered Aux. C/S Brgs.		TRK-2281	TRK-2342	TRK-2468 ⁵⁵
RTOX-11613	w/ 1.75" Push Type I/S & w/o Tapered Aux. C/S Brgs.		TRK-2283	TRK-2345	
RTOX-11613	w/ 2" Pull Type I/S & w/o Tapered Aux. C/S Brgs.		TRK-2283	TRK-2761	TRK-2468 ⁵⁵
RTOX-14613	w/o Tapered Aux. C/S Brgs.	TRK-206	TRK-1871	TRK-1972	TRK-2468 ⁵⁵
RTOX-14613	w/ Tapered Aux. C/S Brgs.		TRK-2280	TRK-2341	TRK-2468 ⁵⁵
RTOXF-11613	w/ Tapered Aux. C/S Brgs.		TRK-2281	TRK-2342	TRK-2468 ⁵⁵
RTOXF-11613	w/ 1.75" Push Type I/S & w/o Tapered Aux. C/S Brgs.		TRK-2283	TRK-2345	
RTOXF-11613	w/ 2" Pull Type I/S & w/o Tapered Aux. C/S Brgs.		TRK-2283	TRK-2761	TRK-2468 ⁵⁵
RTOXF-14613	w/o Tapered Aux. C/S Brgs.	TRK-206	TRK-1871	TRK-1972	TRK-2468 ⁵⁵
RTOXF-14613	w/ Tapered Aux. C/S Brgs.		TRK-2280	TRK-2341	TRK-2468 ⁵⁵
13 Speed Models Aux Section Only					
RT-11613 AUX		TRK-1000AUX	TRK-1555		
RT-14613 AUX	w/o Tapered Aux. C/S Brgs.	TRK-149AUX	TRK-1554		
RT-14613 AUX	w/ Tapered Aux. C/S Brgs.		TRK-2340		
RT-15613 AUX	w/o Tapered Aux. C/S Brgs.	TRK-149AUX	TRK-1554		
RT-15613 AUX	w/ Tapered Aux. C/S Brgs.		TRK-2340		
RTF-11613 AUX		TRK-1000AUX	TRK-1555		
RTF-14613 AUX	w/o Tapered Aux. C/S Brgs.	TRK-149AUX	TRK-1554		
RTF-14613 AUX	w/ Tapered Aux. C/S Brgs.		TRK-2340		
RTF-15613 AUX	w/o Tapered Aux. C/S Brgs.	TRK-149AUX	TRK-1554		
RTF-15613 AUX	w/ Tapered Aux. C/S Brgs.		TRK-2340		
RTLO-12713A AUX			TRK-2768		
RTLO-14613B AUX			TRK-2338		
RTLO-14713A AUX			TRK-2759		
RTLO-16713A AUX	w/ Serial # 51126220 & Lower		TRK-2769		
RTLO-16713A AUX	w/ Serial # 51126221 & Higher or Beginning with a Letter		TRK-3344		

Heavy Duty Transmission Index



Eaton/Fuller Medium & Heavy Duty Models

13 Speed Models Aux Section Only (cont.)

Model No.	Comments	Standard Kit	Suitcase Kit	Overhaul Kit	Clutch Install Kit
RTLOF-12713A AUX			TRK-2768		
RTLOF-14613B AUX			TRK-2338		
RTLOF-14713A AUX			TRK-2759		
RTLOF-16713A AUX	w/ Serial # 51126220 & Lower		TRK-2769		
RTLOF-16713A AUX	w/ Serial # 51126221 & Higher or Beginning with a Letter		TRK-3344		
RTO-11613 AUX			TRK-1555		
RTO-11813 AUX			TRK-1555		
RTO-14613 AUX	w/o Tapered Aux. C/S Brgs.	TRK-149AUX	TRK-1554		
RTO-14613 AUX	w/ Tapered Aux. C/S Brgs.		TRK-2340		
RTO-14813 AUX	w/o Tapered Aux. C/S Brgs.	TRK-149AUX	TRK-1554		
RTO-14813 AUX	w/ Tapered Aux. C/S Brgs.		TRK-2340		
RTO-15613 AUX	w/o Tapered Aux. C/S Brgs.	TRK-149AUX	TRK-1554		
RTO-15613 AUX	w/ Tapered Aux. C/S Brgs.		TRK-2340		
RTO-15813 AUX	w/o Tapered Aux. C/S Brgs.	TRK-149AUX	TRK-1554		
RTO-15813 AUX	w/ Tapered Aux. C/S Brgs.		TRK-2340		
RTOF-11613 AUX		TRK-1000AUX	TRK-1555		
RTOF-11813 AUX		TRK-1000AUX	TRK-1555		
RTOF-14613 AUX	w/o Tapered Aux. C/S Brgs.	TRK-149AUX	TRK-1554		
RTOF-14613 AUX	w/ Tapered Aux. C/S Brgs.		TRK-2340		
RTOF-14813 AUX	w/o Tapered Aux. C/S Brgs.	TRK-149AUX	TRK-1554		
RTOF-14813 AUX	w/ Tapered Aux. C/S Brgs.		TRK-2340		
RTOF-15613 AUX	w/o Tapered Aux. C/S Brgs.	TRK-149AUX	TRK-1554		
RTOF-15613 AUX	w/ Tapered Aux. C/S Brgs.		TRK-2340		
RTOF-15813 AUX	w/o Tapered Aux. C/S Brgs.	TRK-149AUX	TRK-1554		
RTOF-15813 AUX	w/ Tapered Aux. C/S Brgs.		TRK-2340		
RTOO-11613 AUX		TRK-1000AUX	TRK-1555		
RTOO-14613 AUX	w/o Tapered Aux. C/S Brgs.	TRK-149AUX	TRK-1554		
RTOO-14613 AUX	w/ Tapered Aux. C/S Brgs.		TRK-2340		
RTOOF-11613 AUX		TRK-1000AUX	TRK-1555		
RTOOF-14613 AUX	w/o Tapered Aux. C/S Brgs.	TRK-149AUX	TRK-1554		
RTOOF-14613 AUX	w/ Tapered Aux. C/S Brgs.		TRK-2340		
RTOX-11613 AUX		TRK-1000AUX	TRK-1555		
RTOX-14613 AUX	w/o Tapered Aux. C/S Brgs.	TRK-149AUX	TRK-1554		
RTOX-14613 AUX	w/ Tapered Aux. C/S Brgs.		TRK-2340		
RTOXF-11613 AUX		TRK-1000AUX	TRK-1555		
RTOXF-14613 AUX	w/o Tapered Aux. C/S Brgs.	TRK-149AUX	TRK-1554		
RTOXF-14613 AUX	w/ Tapered Aux. C/S Brgs.		TRK-2340		

15 Speed Models

RT-11615	w/ 1.75" Push Type I/S	TRK-203	TRK-3659	TRK-3655	
RT-11615	w/ 2" Pull Type I/S	TRK-203	TRK-3659	TRK-3656	TRK-2468 ⁵⁵
RT-11715			TRK-3660	TRK-3658	TRK-2468 ⁵⁵
RT-12515	w/ 45mm Front Countershaft Brgs.	TRK-159A	TRK-1863	TRK-1079	TRK-2468 ⁵⁵
RT-12515	w/ 55mm Front Countershaft Brgs.	TRK-159			TRK-2468 ⁵⁵
RT-14615		TRK-207	TRK-1872	TRK-1979	TRK-2468 ⁵⁵
RT-14715			TRK-2043	TRK-1991	TRK-2468 ⁵⁵
RT-14915	w/ Case 4303352 or 4303353		TRK-3256	TRK-3257	TRK-2468 ⁵⁵
RT-14915	w/ Case 4306306 or 4306522		TRK-3256A	TRK-3257A	TRK-2468 ⁵⁵
RT-15615			TRK-1875	TRK-1763	TRK-2468 ⁵⁵
RT-15715			TRK-2043	TRK-1991	TRK-2468 ⁵⁵
RT-915		TRK-1000	TRK-2780		
RTF-11615	w/ 1.75" Push Type I/S	TRK-203	TRK-3659	TRK-3655	
RTF-11615	w/ 2" Pull Type I/S	TRK-203	TRK-3659	TRK-3656	TRK-2468 ⁵⁵
RTF-11715			TRK-3660	TRK-3658	TRK-2468 ⁵⁵
RTF-12515	w/ 45mm Front Countershaft Brgs.	TRK-159A	TRK-1863	TRK-1079	TRK-2468 ⁵⁵

Heavy Duty Transmission Index

Eaton/Fuller Medium & Heavy Duty Models

15 Speed Models (cont.)

Model No.	Comments	Standard Kit	Suitcase Kit	Overhaul Kit	Clutch Install Kit
RTF-12515	w/ 55mm Front Countershaft Brgs.	TRK-159			TRK-2468 ⁵⁵
RTF-14615		TRK-207	TRK-1872	TRK-1979	TRK-2468 ⁵⁵
RTF-14715			TRK-2043	TRK-1991	TRK-2468 ⁵⁵
RTF-14915	w/ Case 4303352 or 4303353		TRK-3256	TRK-3257	TRK-2468 ⁵⁵
RTF-14915	w/ Case 4306306 or 4306522		TRK-3256A	TRK-3257A	TRK-2468 ⁵⁵
RTF-15615			TRK-1875	TRK-1763	TRK-2468 ⁵⁵
RTF-15715			TRK-2043	TRK-1991	TRK-2468 ⁵⁵
RTO-11615	w/ 1.75" Push Type I/S	TRK-203	TRK-3659	TRK-3655	
RTO-11615	w/ 2" Pull Type I/S	TRK-203	TRK-3659	TRK-3656	TRK-2468 ⁵⁵
RTO-11715			TRK-3660	TRK-3657	TRK-2468 ⁵⁵
RTO-12515	w/ 45mm Front Countershaft Brgs.	TRK-159A	TRK-1863	TRK-1079	TRK-2468 ⁵⁵
RTO-12515	w/ 55mm Front Countershaft Brgs.	TRK-159			TRK-2468 ⁵⁵
RTO-14615		TRK-207	TRK-1872	TRK-1979	TRK-2468 ⁵⁵
RTO-14715			TRK-2043	TRK-1992	TRK-2468 ⁵⁵
RTO-14915	w/ 85mm Aux Drive Gear Brg. & w/ Case 4303352 or 4303353		TRK-3233	TRK-3234	TRK-2468 ⁵⁵
RTO-14915	w/ 85mm Aux Drive Gear Brg. & w/ Case 4306306 or 4306522		TRK-3233A	TRK-3234A	TRK-2468 ⁵⁵
RTO-14915	w/ 90mm Aux Drive Gear Brg.		TRK-3256	TRK-3258	TRK-2468 ⁵⁵
RTO-15615			TRK-1875	TRK-1763	TRK-2468 ⁵⁵
RTO-15715			TRK-2043	TRK-1992	TRK-2468 ⁵⁵
RTO-16915	w/ Case 4303352 or 4303353		TRK-3233	TRK-3234	TRK-2468 ⁵⁵
RTO-16915	w/ Case 4306306 or 4306522		TRK-3233A	TRK-3234A	TRK-2468 ⁵⁵
RTO-915		TRK-1000	TRK-2780		
RTOF-11615	w/ 1.75" Push Type I/S	TRK-203	TRK-3659	TRK-3655	
RTOF-11615	w/ 2" Pull Type I/S	TRK-203	TRK-3659	TRK-3656	TRK-2468 ⁵⁵
RTOF-11715			TRK-3660	TRK-3657	TRK-2468 ⁵⁵
RTOF-12515	w/ 45mm Front Countershaft Brgs.	TRK-159A	TRK-1863	TRK-1079	TRK-2468 ⁵⁵
RTOF-12515	w/ 55mm Front Countershaft Brgs.	TRK-159			TRK-2468 ⁵⁵
RTOF-14615		TRK-207	TRK-1872	TRK-1979	TRK-2468 ⁵⁵
RTOF-14715			TRK-2043	TRK-1992	TRK-2468 ⁵⁵
RTOF-14915	w/ 85mm Aux Drive Gear Brg. & w/ Case 4303352 or 4303353		TRK-3233	TRK-3234	TRK-2468 ⁵⁵
RTOF-14915	w/ 85mm Aux Drive Gear Brg. & w/ Case 4306306 or 4306522		TRK-3233A	TRK-3234A	TRK-2468 ⁵⁵
RTOF-14915	w/ 90mm Aux Drive Gear Brg.		TRK-3256	TRK-3258	TRK-2468 ⁵⁵
RTOF-15615			TRK-1875	TRK-1763	TRK-2468 ⁵⁵
RTOF-15715			TRK-2043	TRK-1992	TRK-2468 ⁵⁵
RTOF-16915	w/ Case 4303352 or 4303353		TRK-3233	TRK-3234	TRK-2468 ⁵⁵
RTOF-16915	w/ Case 4306306 or 4306522		TRK-3233A	TRK-3234A	TRK-2468 ⁵⁵
RTX-11615	w/ 1.75" Push Type I/S	TRK-203	TRK-3659	TRK-3655	
RTX-11615	w/ 2" Pull Type I/S	TRK-203	TRK-3659	TRK-3656	TRK-2468 ⁵⁵
RTX-11715			TRK-3660	TRK-3657	TRK-2468 ⁵⁵
RTX-12515		TRK-159A	TRK-1863	TRK-1079	TRK-2468 ⁵⁵
RTX-14615		TRK-207	TRK-1872	TRK-1979	TRK-2468 ⁵⁵
RTX-14715			TRK-2043	TRK-1992	TRK-2468 ⁵⁵
RTX-15615			TRK-1875	TRK-1763	TRK-2468 ⁵⁵
RTX-15715			TRK-2043	TRK-1992	TRK-2468 ⁵⁵
RTXF-11615	w/ 1.75" Push Type I/S	TRK-203	TRK-3659	TRK-3655	
RTXF-11615	w/ 2" Pull Type I/S	TRK-203	TRK-3659	TRK-3656	TRK-2468 ⁵⁵
RTXF-11715			TRK-3660	TRK-3657	TRK-2468 ⁵⁵
RTXF-12515		TRK-159A	TRK-1863	TRK-1079	TRK-2468 ⁵⁵
RTXF-14615		TRK-207	TRK-1872	TRK-1979	TRK-2468 ⁵⁵
RTXF-14715			TRK-2043	TRK-1992	TRK-2468 ⁵⁵
RTXF-15615			TRK-1875	TRK-1763	TRK-2468 ⁵⁵

HD Transmission

Heavy Duty Transmission Index



Eaton/Fuller Medium & Heavy Duty Models

15 Speed Models (cont.)

Model No.	Comments	Standard Kit	Suitcase Kit	Overhaul Kit	Clutch Install Kit
RTXF-15715			TRK-2043	TRK-1992	TRK-2468 ⁵⁵

16 Speed Models

F-14E316B-LSE			TRK-3941		
F-15E316B-LSE			TRK-3941		
F-17E316B-LSE			TRK-3941		
FM-15E316B-LSE			TRK-3941		

18 Speed Models

FO-14E318B-MXP			TRK-3941		
FO-14E318B-VXP			TRK-3941		
FO-16E318B-MXP			TRK-3941		
FO-16E318B-VXP			TRK-3941		
FO-18E318B-MXP			TRK-3941		
FO-18E318B-VXP			TRK-3941		
FO-20E318B-MXP			TRK-3941		
FO-20E318B-VXP			TRK-3941		
FO-22E318B-MXP			TRK-3941		
FO-22E318B-VXP			TRK-3941		
RTLO-14618A			TRK-2996	TRK-2993	TRK-2468 ⁵⁵
RTLO-14718B			TRK-2288	TRK-2779	TRK-2468 ⁵⁵
RTLO-14918A-AS2	w/ Case 4303586		TRK-3512	TRK-3513	
RTLO-14918A-AS2	w/ Case 4306307		TRK-3512A	TRK-3513A	
RTLO-14918A-AS3	w/ Case 4303586		TRK-3512	TRK-3513	
RTLO-14918A-AS3	w/ Case 4306307		TRK-3512A	TRK-3513A	
RTLO-14918B	w/ Forced Lubrication & w/ Case 4303586		TRK-3340	TRK-3339	TRK-2468 ⁵⁵
RTLO-14918B	w/ Forced Lubrication & w/ Case 4306307		TRK-3340A	TRK-3339A	TRK-2468 ⁵⁵
RTLO-14918B	w/o Forced Lubrication		TRK-3355	TRK-3354	TRK-2468 ⁵⁵
RTLO-14918B-AS	w/ Case 4303586		TRK-3534	TRK-3533	
RTLO-14918B-AS	w/ Case 4306307		TRK-3534A	TRK-3533A	
RTLO-14918B-T2	w/ Case 4303586		TRK-3355	TRK-3354	TRK-2468 ⁵⁵
RTLO-14918B-T2	w/ Case 4306307		TRK-3355A	TRK-3354A	TRK-2468 ⁵⁵
RTLO-16618A			TRK-2996	TRK-2993	TRK-2468 ⁵⁵
RTLO-16718B			TRK-2288	TRK-2779	TRK-2468 ⁵⁵
RTLO-16918A-AS2	w/ Case 4303586		TRK-3512	TRK-3513	
RTLO-16918A-AS2	w/ Case 4306307		TRK-3512A	TRK-3513A	
RTLO-16918A-AS3	w/ Case 4303586		TRK-3512	TRK-3513	
RTLO-16918A-AS3	w/ Case 4306307		TRK-3512A	TRK-3513A	
RTLO-16918B	w/ Case 4303586		TRK-3340	TRK-3339	TRK-2468 ⁵⁵
RTLO-16918B	w/ Case 4306307		TRK-3340A	TRK-3339A	TRK-2468 ⁵⁵
RTLO-16918B-AS	w/ Case 4303586		TRK-3534	TRK-3533	
RTLO-16918B-AS	w/ Case 4306307		TRK-3534A	TRK-3533A	
RTLO-16918B-T2	w/ Case 4303586		TRK-3340	TRK-3339	TRK-2468 ⁵⁵
RTLO-16918B-T2	w/ Case 4306307		TRK-3340A	TRK-3339A	TRK-2468 ⁵⁵
RTLO-18718B			TRK-2865	TRK-2866	TRK-2468 ⁵⁵
RTLO-18718B-T2			TRK-2865	TRK-2866	TRK-2468 ⁵⁵
RTLO-18918A-AS2	w/ Case 4303586		TRK-3512	TRK-3513	
RTLO-18918A-AS2	w/ Case 4306307		TRK-3512A	TRK-3513A	
RTLO-18918A-AS3	w/ Case 4303586		TRK-3512	TRK-3513	
RTLO-18918A-AS3	w/ Case 4306307		TRK-3512A	TRK-3513A	
RTLO-18918B	w/ Case 4303586		TRK-3340	TRK-3339	TRK-2468 ⁵⁵
RTLO-18918B	w/ Case 4306307		TRK-3340A	TRK-3339A	TRK-2468 ⁵⁵
RTLO-18918B-AS	w/ Case 4303586		TRK-3534	TRK-3533	
RTLO-18918B-AS	w/ Case 4306307		TRK-3534A	TRK-3533A	
RTLO-18918B-T2	w/ Case 4303586		TRK-3340	TRK-3339	TRK-2468 ⁵⁵
RTLO-18918B-T2	w/ Case 4306307		TRK-3340A	TRK-3339A	TRK-2468 ⁵⁵
RTLO-20918A-AS2	w/ Case 4303586		TRK-3512	TRK-3513	

HD Transmission

Heavy Duty Transmission Index

Eaton/Fuller Medium & Heavy Duty Models

18 Speed Models (cont.)

Model No.	Comments	Standard Kit	Suitcase Kit	Overhaul Kit	Clutch Install Kit
RTLO-20918A-AS2	w/ Case 4306307		TRK-3512A	TRK-3513A	
RTLO-20918A-AS3	w/ Case 4303586		TRK-3512	TRK-3513	
RTLO-20918A-AS3	w/ Case 4306307		TRK-3512A	TRK-3513A	
RTLO-20918B	w/ Case 4303586		TRK-3340	TRK-3339	TRK-2468 ⁵⁵
RTLO-20918B	w/ Case 4306307		TRK-3340A	TRK-3339A	TRK-2468 ⁵⁵
RTLO-20918B-AS	w/ Case 4303586		TRK-3534	TRK-3533	
RTLO-20918B-AS	w/ Case 4306307		TRK-3534A	TRK-3533A	
RTLO-20918B-T2	w/ Case 4303586		TRK-3340	TRK-3339	TRK-2468 ⁵⁵
RTLO-20918B-T2	w/ Case 4306307		TRK-3340A	TRK-3339A	TRK-2468 ⁵⁵
RTLO-22918A-AS2	w/ Case 4303586		TRK-3514	TRK-3515	
RTLO-22918A-AS2	w/ Case 4306307		TRK-3514A	TRK-3515A	
RTLO-22918A-AS3	w/ Case 4303586		TRK-3514	TRK-3515	
RTLO-22918A-AS3	w/ Case 4306307		TRK-3514A	TRK-3515A	
RTLO-22918B	w/ Case 4303586		TRK-3462	TRK-3461	
RTLO-22918B	w/ Case 4306307		TRK-3462A	TRK-3461A	
RTLOF-14618A			TRK-2996	TRK-2993	TRK-2468 ⁵⁵
RTLOF-14718B			TRK-2288	TRK-2779	TRK-2468 ⁵⁵
RTLOF-14918B	w/ Forced Lubrication & w/ Case 4303586		TRK-3340	TRK-3339	TRK-2468 ⁵⁵
RTLOF-14918B	w/ Forced Lubrication & w/ Case 4306307		TRK-3340A	TRK-3339A	TRK-2468 ⁵⁵
RTLOF-14918B	w/o Forced Lubrication		TRK-3355	TRK-3354	TRK-2468 ⁵⁵
RTLOF-14918B-T2	w/ Case 4303586		TRK-3355	TRK-3354	TRK-2468 ⁵⁵
RTLOF-14918B-T2	w/ Case 4306307		TRK-3355A	TRK-3354A	TRK-2468 ⁵⁵
RTLOF-16618A			TRK-2996	TRK-2993	TRK-2468 ⁵⁵
RTLOF-16718B			TRK-2288	TRK-2779	TRK-2468 ⁵⁵
RTLOF-16918B	w/ Case 4303586		TRK-3340	TRK-3339	TRK-2468 ⁵⁵
RTLOF-16918B	w/ Case 4306307		TRK-3340A	TRK-3339A	TRK-2468 ⁵⁵
RTLOF-16918B-T2	w/ Case 4303586		TRK-3340	TRK-3339	TRK-2468 ⁵⁵
RTLOF-16918B-T2	w/ Case 4306307		TRK-3340A	TRK-3339A	TRK-2468 ⁵⁵
RTLOF-18718B			TRK-2865	TRK-2866	TRK-2468 ⁵⁵
RTLOF-18718B-T2			TRK-2865	TRK-2866	TRK-2468 ⁵⁵
RTLOF-18918B	w/ Case 4303586		TRK-3340	TRK-3339	TRK-2468 ⁵⁵
RTLOF-18918B	w/ Case 4306307		TRK-3340A	TRK-3339A	TRK-2468 ⁵⁵
RTLOF-18918B-T2	w/ Case 4303586		TRK-3340	TRK-3339	TRK-2468 ⁵⁵
RTLOF-18918B-T2	w/ Case 4306307		TRK-3340A	TRK-3339A	TRK-2468 ⁵⁵
RTLOF-20918B	w/ Case 4303586		TRK-3340	TRK-3339	TRK-2468 ⁵⁵
RTLOF-20918B	w/ Case 4306307		TRK-3340A	TRK-3339A	TRK-2468 ⁵⁵
RTLOF-20918B-T2	w/ Case 4303586		TRK-3340	TRK-3339	TRK-2468 ⁵⁵
RTLOF-20918B-T2	w/ Case 4306307		TRK-3340A	TRK-3339A	TRK-2468 ⁵⁵
RTLOF-22918B	w/ Case 4303586		TRK-3462	TRK-3461	
RTLOF-22918B	w/ Case 4306307		TRK-3462A	TRK-3461A	
RTO-15618			TRK-2997	TRK-2994	TRK-2468 ⁵⁵
RTOF-15618			TRK-2997	TRK-2994	TRK-2468 ⁵⁵
18 Speed Models Aux Section Only					
RTLO-14618A AUX			TRK-2338		
RTLO-14718B AUX			TRK-2769		
RTLO-16618A AUX			TRK-2338		
RTLO-16718B AUX			TRK-2769		
RTLO-18718B AUX			TRK-2769		
RTLOF-14618A AUX			TRK-2338		
RTLOF-14718B AUX			TRK-2769		
RTLOF-16618A AUX			TRK-2338		
RTLOF-16718B AUX			TRK-2769		
RTLOF-18718B AUX			TRK-2769		
RTO-15618 AUX			TRK-1993		
RTOF-15618 AUX			TRK-1993		

HD Transmission

Heavy Duty Transmission Index

GMC Index

Model No.	Speeds	Comments	Kit No.	Kit No. With Rings
CH465	4	Early/Late	TRK-157A	TRK-157AWS
CH465	4	1979 - 1990	TRK-157L	TRK-157LWS
CH465	4	1990 and Later	TRK-157B	TRK-157BWS
SM465	4	Early/Late	TRK-157A	TRK-157AWS
SM465	4	1979 - 1990	TRK-157L	TRK-157LWS
SM465	4	1990 and Later	TRK-157B	TRK-157BWS

International Harvester/Navistar Index

Model No.	Speeds	Comments	Kit
T32	5		TRK-156
T33	5		TRK-156
T34	5		TRK-156
T35	5		TRK-156
T36	5		TRK-156
T494	5		TRK-156
T495	5		TRK-156
T496	5		TRK-156
T698	5		TRK-183
T699	5		TRK-183

Mack Index

Model No.	Speeds	Comments	Kit
TRQP72	20	w/o Clutch Brake	TRK-65
TR107	5		TRK-185
TRDXL107	6		TRK-500
TRTXL107	12	Super Duty	TRK-213SD
TRXL107	6		TRK-187
TRXL107A	6		TRK-187
TC150	-	Transfer Case	TRK-504
T309L	9		TRK-505
	9	Master Kit	TRK-505MK
T310	10		TRK-506
	10	Master Kit	TRK-506MK
T318	18		TRK-507
	18	Master Kit	TRK-507MK
TRQ720	20	w/o Clutch Brake	TRK-65
TRQP720	20	w/o Clutch Brake	TRK-65
TRDL1070	10		TRK-187
TRTXL1070	12	Super Duty	TRK-213SD
	12		TRK-213
TRXL1070	-		TRK-502
TRTXL1070	12		TRK-213
TRXL1071	6		TRK-187
TRXL1071A	6		TRK-187
TRL1076	5		TRK-185
TRL1078	5		TRK-185
T2090	9		TRK-214
T2050	5		TRK-503
	5	Master Kit	TRK-503MK
T2060	6		TRK-214
	6	Master Kit	TRK-214MK
T2070	7		TRK-214
	7	Master Kit	TRK-214MK

Mack Index

Model No.	Speeds	Comments	Kit
T2080	8		TRK-214
T2090	9		TRK-214
	9	Master Kit	TRK-214MK
T2100	10		TRK-214
	10	Master Kit	TRK-214MK
T2130	13		TRK-214
	13	Master Kit	TRK-214MK
T2180	18		TRK-214
	18	Master Kit	TRK-214MK1
TRQ7210	20	w/o Clutch Brake	TRK-65
TRQL7220	20	w/o Clutch Brake	TRK-65
TRXL10710	-		TRK-502
TRL10760	-		TRK-501
TRL10780	-		TRK-501

Meritor/Rockwell

Model No.	Speeds	Comments	Suitcase Kit	Clutch Install Kit
RM9-115	9		TRK-5356 ⁶¹	TRK-5000CK
RM9-125	9		TRK-5356 ⁶¹	TRK-5000CK
RM9-135	9		TRK-5357 ⁶¹	TRK-5000CK
RM9-145	9		TRK-5357 ⁶¹	TRK-5000CK
RM9-155	9		TRK-5357 ⁶¹	TRK-5000CK
RM10-115	10		TRK-5356 ⁶¹	TRK-5000CK
RM10-125	10		TRK-5356 ⁶¹	TRK-5000CK
RM10-135	10		TRK-5357 ⁶¹	TRK-5000CK
RM10-145	10		TRK-5357 ⁶¹	TRK-5000CK
RM10-155	10		TRK-5357 ⁶¹	TRK-5000CK
RM10-165	10		TRK-5357 ⁶¹	TRK-5000CK
RM13-145	10		TRK-5358 ⁶¹	TRK-5000CK
M-15G9	9		TRK-5406	TRK-5000CK
M-15G10	10		TRK-5406	TRK-5000CK
MO-14G9	9		TRK-5406	TRK-5000CK
MO-15G9	9		TRK-5406	TRK-5000CK
MO-16G10	10		TRK-5406	TRK-5000CK

Heavy Duty Transmission Index

New Process Transmissions

Model No.	Speeds	Comments	Kit
435	4	w/ Tapered Bearing on Drive Shaft	TRK-127
	4	Ford only w/ Tapered Bearing on Drive Shaft	TRK-127F
	4	w/ Ball Bearing on Drive Shaft	TRK-127G
435FE	4	w/ Tapered Bearing on Drive Shaft	TRK-127
435FL	4	w/ Tapered Bearing on Drive Shaft	TRK-127
435GL	4	w/ Tapered Bearing on Drive Shaft	TRK-127
436	4	w/ Tapered Bearing on Drive Shaft	TRK-127
	4	Ford only w/ Tapered Bearing on Drive Shaft	TRK-127F
	4	w/ Ball Bearing on Drive Shaft	TRK-127G
540	5		TRK-27
540C	5		TRK-27
540D	5		TRK-27
540G	5		TRK-27
540GD	5		TRK-27
540GL	5		TRK-27
540GO	5		TRK-27
541	5	Early	TRK-27
	5	Late (Exc. Ford)	TRK-29
541DD11	5		TRK-29
541DD12	5		TRK-29
541DD13	5		TRK-29
541DD14	5		TRK-29
541DD15	5		TRK-29
541DD16	5		TRK-29
541DD17	5		TRK-29
541FD	5	Early	TRK-27
	5	Late	TRK-29
541FL	5	Early	TRK-27
	5	Late	TRK-29
541FO	5	Early	TRK-27
	5	Late	TRK-29
541G	5	Early	TRK-27
	5	Late	TRK-29
541GD	5	Early	TRK-27
	5	Late	TRK-29
541GD24	5	Early	TRK-27
	5	Late	TRK-29
541GL	5	Early	TRK-27
	5	Late	TRK-29
541GO	5	Early	TRK-27
	5	Late	TRK-29
541GO-11	5	Early	TRK-27
	5	Late	TRK-29
542	5	Early	TRK-27

New Process Transmissions

Model No.	Speeds	Comments	Kit
542	5	Late (Exc. Ford)	TRK-29
	5	Late (w/Ford)	TRK-29B
542D	5	w/GMC	TRK-29
542FD	5	Early	TRK-27
	5	Late (Exc. Ford)	TRK-29
	5	Late (w/Ford)	TRK-29B
542FL	5	Early	TRK-27
	5	Late (Exc. Ford)	TRK-29
	5	Late (w/Ford)	TRK-29B
542FO	5	Early	TRK-27
	5	Late (Exc. Ford)	TRK-29
	5	Late (w/Ford)	TRK-29B
542GD	5	w/GMC	TRK-29
542GL	5	w/GMC	TRK-29
542L	5	w/GMC	TRK-29
4590(IH)	4		TRK-174
7531	5		TRK-177
7550	5		TRK-177
7551	5		TRK-177
7590	5		TRK-177
7591	5		TRK-177

Heavy Duty Transmission Index



Spicer/TTC Transmissions

Model No.	Speeds	Comments	Standard Kit	Suitcase Kit
1007	7		TRK-189	
1010	10		TRK-152	
1020	20		TRK-189	
1052	5		TRK-147	TRK-313432-25X
1062	6		TRK-147	TRK-313432-25X
1064	6		TRK-147	
1107	7		TRK-181	
1207	7		TRK-191	
1214	14		TRK-189	
1252	5		TRK-147	TRK-313432-25X
1253	5		TRK-147	TRK-313432-25X
1262	6		TRK-147	
1263	6		TRK-147	TRK-313432-25X
1272	7		TRK-189	
1352	5		TRK-192	TRK-313432-1X
1362	6		TRK-192	TRK-313432-1X
1364	6		TRK-192	TRK-313432-1X
1372	7		TRK-193	TRK-313432-2X
1412	12		TRK-194	
1414	14		TRK-194	
1420	20		TRK-194	
1452	5		TRK-192	TRK-313432-1X
1453	5		TRK-192	TRK-313432-1X
1463	6		TRK-192	TRK-313432-1X
4054	5		TRK-210	TRK-313432-11X
4652	5		TRK-28	
4752	5		TRK-28	
4753	5		TRK-28	
4756	5		TRK-28	
4852	5		TRK-28	
4853	5		TRK-28	
4954	5		TRK-221	TRK-313432-30X
5052	5		TRK-180	TRK-313432-10X
5252	5		TRK-180	TRK-313432-10X
5552	5		TRK-180	TRK-313432-10X
5650	5		TRK-28	
5652	5		TRK-28	
5750	5		TRK-28	
5752	5		TRK-28	
5753	5		TRK-28	
5756	5		TRK-28	
5850	5		TRK-28	
5852	5		TRK-180	TRK-313432-10X
5853	5		TRK-28	
6052	5		TRK-186	TRK-313432-20X
6252	5		TRK-186	TRK-313432-20X
6253	5		TRK-186	TRK-313432-20X
6350	5		TRK-72	
6352	5		TRK-72	
6354	5		TRK-72	
6450	5		TRK-72	
6452	5		TRK-72	
6453	5		TRK-72	
6454	5		TRK-72	
6455	5		TRK-72	
6456	5		TRK-72	
6458	5		TRK-72	

HD Transmission

Heavy Duty Transmission Index

Spicer/TTC Transmissions

Model No.	Speeds	Comments	Standard Kit	Suitcase Kit
6850	5		TRK-72	
6852	5		TRK-72	
6853	5		TRK-72	
6854	5		TRK-72	
6855	5		TRK-72	
7041	4		TRK-73	TRK-313432-21X
8012	12		TRK-74	
8016	16		TRK-74	
8051	5	w/ Spherical Pilot Brg., exc. some late models	TRK-2	
	5	w/ Cylindrical Pilot Brg., exc. some late models	TRK-2A	
8055	5	w/ Spherical Pilot Brg., exc. some late models	TRK-2	
	5	w/ Cylindrical Pilot Brg., exc. some late models	TRK-2A	
8212	12		TRK-74	
8216	16		TRK-74	
8251	5	w/ Spherical Pilot Brg., exc. some late models	TRK-2	
	5	w/ Cylindrical Pilot Brg., exc. some late models	TRK-2A	
8255	5	w/ Spherical Pilot Brg., exc. some late models	TRK-2	
	5	w/ Cylindrical Pilot Brg., exc. some late models	TRK-2A	
8516	16		TRK-130	
8542	4		TRK-139	
8544	4		TRK-139	
8552	5		TRK-140	
8553	5		TRK-141	
8554	5		TRK-140	
8555	5		TRK-141	
8716	16		TRK-130	
8742	4		TRK-139	
8744	4		TRK-139	
8753	5		TRK-141	
8755	5		TRK-141	
8842	4		TRK-139	
8844	4		TRK-139	
CM40	5		TRK-210	TRK-313432-11X
CM49	5		TRK-221	TRK-313432-30X
CM50	5		TRK-180	TRK-313432-10X
CM55	5		TRK-180	TRK-313432-10X
CM60	5		TRK-186	TRK-313432-20X
CM62	5		TRK-186	TRK-313432-20X
CM4054	5		TRK-210	TRK-313432-11X
CM4954	5		TRK-221	TRK-313432-30X
CM5052	5		TRK-180	TRK-313432-10X
CM5252	5		TRK-180	TRK-313432-10X
CM5552	5		TRK-180	TRK-313432-10X
CM5852	5		TRK-180	TRK-313432-10X
CM5952	5		TRK-180	TRK-313432-10X
CM6052	5		TRK-186	TRK-313432-20X
CM6253	5		TRK-186	TRK-313432-20X
ES066-7B	7		TRK-222	TRK-101-432-1X
ES42-5	5		TRK-219	TRK-313432-34X
ES43-5	5		TRK-221	TRK-313432-46X
ES46-5A	5		TRK-704	TRK-56-432-1X
ES52-5	5		TRK-221	TRK-313432-30X
ES52-7	7		TRK-222	TRK-101-432-1X
ES53-5	5		TRK-221	TRK-313432-46X
ES56-5A	5		TRK-704	TRK-56-432-1X
ES56-7	7		TRK-222	TRK-101-432-1X
ES60-5	5		TRK-180	TRK-313432-10X

Heavy Duty Transmission Index

Spicer/TTC Transmissions

Model No.	Speeds	Comments	Standard Kit	Suitcase Kit
ES62-5	5		TRK-180	TRK-313432-31X
ES65-5	5		TRK-186	TRK-313432-20X
ES65-7	7		TRK-222	TRK-101-432-1X
ESO66-7	7		TRK-222	TRK-101-432-1X
ES70-5	5		TRK-186	TRK-313432-20X
LLPS145-10	10		TRK-700	TRK-313432-33X
LLPSO140-10	10		TRK-700	TRK-313432-33X
LLPSO150-10	10		TRK-700	TRK-313432-33X
LPS100-10	10		TRK-700	TRK-313432-33X
LPS125-10	10		TRK-700	TRK-313432-33X
PS125-9	9		TRK-700	TRK-313432-33X
LPS135-10	10		TRK-700	TRK-313432-33X
LPS145-10	10		TRK-700	TRK-313432-33X
LPSO125-10	10		TRK-700	TRK-313432-33X
LPSO140-10	10		TRK-700	TRK-313432-33X
LPSO150-10	10		TRK-700	TRK-313432-33X
PS100-10	10		TRK-700	TRK-313432-33X
PS105-7LL	7		TRK-705	
PS110-7	7		TRK-702	TRK-313432-35X
PS125-9	9		TRK-700	TRK-313432-33X
PS130-6L	6		TRK-705	
PS135-10	10		TRK-700	TRK-313432-33X
PS145-10	10		TRK-700	TRK-313432-33X
PS145-7	7		TRK-702	TRK-313432-35X
PS95-9	9		TRK-700	TRK-313432-33X
PS97-7	7		TRK-706	TRK-313432-14X
PSO100-10	10		TRK-700	TRK-313432-33X
PSO125-10	10		TRK-700	TRK-313432-33X
PSO140-10	10		TRK-700	TRK-313432-33X
PSO140-9	9		TRK-700	TRK-313432-33X
PSO150-10	10		TRK-700	TRK-313432-33X
PSO150-16	16		TRK-194	
PSO150-9	9		TRK-700	TRK-313432-33X
PSO165-10	10		TRK-700	TRK-313432-33X
PSO165-16	16		TRK-194	
PSO175-16	16		TRK-194	
SST5	5	Old Version	TRK-147	
SST6	6	Old Version	TRK-147	
	6	New Version	TRK-192	
SST6+1	7	New Version	TRK-191	
SST7	7	Old Version	TRK-181	
	7	New Version	TRK-193	
SST10	10	Old Version	TRK-152	
SST12	12	New Version	TRK-194	
SST14	14	Old Version	TRK-189	
	14	New Version	TRK-194	
SST20	20		TRK-189	

HD Transmission

Heavy Duty Transmission Index

Spicer/TTC Auxiliary Transmissions

Model No.	Speeds	Comments	Standard Kit	Suitcase Kit
1241	4		TRK-158	TRK-98-432-1X
6041	4		TRK-70	
7041	4		TRK-73	TRK-313432-21X
7231	3		TRK-86	
8031	3	w/ Steel Caged Brgs.	TRK-3	
	3	w/ Bronze Caged Brgs.	TRK-4	
8035	3	w/ Steel Caged Brgs.	TRK-3	
	3	w/ Bronze Caged Brgs.	TRK-4	
8341	4	w/ Steel Caged Brgs.	TRK-3	
	4	w/ Bronze Caged Brgs.	TRK-4	
8341L	4		TRK-155	
8345	4	w/ Steel Caged Brgs.	TRK-3	
	4	w/ Bronze Caged Brgs.	TRK-4	
AMO1000	4		TRK-703	TRK-98-432-1X
AMO1750	4		TRK-703	TRK-98-432-1X
APO1000	4		TRK-703	TRK-98-432-1X
APO1750	4		TRK-703	TRK-98-432-1X
R8341C	4		TRK-155	
R8341L	4		TRK-155	
RP8341	4		TRK-155	

Spicer/TTC Power Take Offs for Auxiliary Transmissions

Model No.	Speeds	Comments	Standard Kit	Suitcase Kit
1241		Tapered Output Bearings	TRK-707	
		Cylindrical Output Bearings	TRK-226	TRK-312476-22X
7041		Tapered Output Bearings	TRK-708	
		Cylindrical Output Bearings	TRK-709	
8031		Tapered Output Bearings	TRK-708	
		Cylindrical Output Bearings	TRK-709	
8341		Tapered Output Bearings	TRK-708	
		Cylindrical Output Bearings	TRK-709	
AMO1000		Tapered Output Brgs.	TRK-707	
		Cylindrical Output Brgs.	TRK-226	TRK-312476-22X
AMO1750		Tapered Output Brgs.	TRK-707	
		Cylindrical Output Brgs.	TRK-226	TRK-312476-22X
APO1000		Tapered Output Brgs.	TRK-707	
		Cylindrical Output Brgs.	TRK-226	TRK-312476-22X
APO1750		Tapered Output Brgs.	TRK-707	
		Cylindrical Output Brgs.	TRK-226	TRK-312476-22X
R8031		Tapered Output Brgs.	TRK-708	
		Cylindrical Output Brgs.	TRK-709	
R8341		Tapered Output Brgs.	TRK-708	
		Cylindrical Output Brgs.	TRK-709	

Heavy Duty Transmission Index

Volvo/Mack I/M Shift

Model No.	Speeds	Comments	Kit
AT2412C	12	Early Planet (70mm O/S Brg.)	TRK-510
	12	Late Planet (80mm O/S Brg.)	TRK-510A
AT2412D	12	Early Planet (70mm O/S Brg.)	TRK-510
	12	Late Planet (80mm O/S Brg.)	TRK-510A
AT2512C	12	Early Planet (70mm O/S Brg.)	TRK-511
	12	Late Planet (80mm O/S Brg.)	TRK-511A
ATO2512C	12	Early Planet (70mm O/S Brg.)	TRK-510
	12	Late Planet (80mm O/S Brg.)	TRK-510A
AT2612D	12	Early Planet (70mm O/S Brg.)	TRK-511
	12	Late Planet (80mm O/S Brg.)	TRK-511A
ATO2612D	12	Early Planet (70mm O/S Brg.)	TRK-510
	12	Late Planet (80mm O/S Brg.)	TRK-510A
AT2812C	12	Early Planet (70mm O/S Brg.)	TRK-511
	12	Late Planet (80mm O/S Brg.)	TRK-511A
AT2812D	12	Early Planet (70mm O/S Brg.)	TRK-511
	12	Late Planet (80mm O/S Brg.)	TRK-511A
ATO3112C	12	Early Planet (70mm O/S Brg.)	TRK-511
	12	Late Planet (80mm O/S Brg.)	TRK-511A
ATO3112D	12	Early Planet (70mm O/S Brg.)	TRK-511
	12	Late Planet (80mm O/S Brg.)	TRK-511A

Warner Index

Model No.	Speeds	Comments	Kit
T18	4	w/Willys Jeep	TRK-82F
	4	w/Ford	TRK-82F
T184	4	w/I.H.	TRK-82D
T18A	4	w/Willys Jeep	TRK-82F
	4	w/Ford	TRK-82F
	4	w/I.H.	TRK-82D
T18B	4	w/Willys Jeep	TRK-82F
	4	w/Ford	TRK-82F
	4	w/I.H.	TRK-82D
T18C	4	w/Willys Jeep	TRK-82F
	4	w/Ford	TRK-82F
	4	w/I.H.	TRK-82D
T19	4	w/Ford (Gas)	TRK-82F
	4	w/Ford (Diesel)	TRK-82FD
	4	w/I.H.	TRK-82D
T19A	4	w/Ford (Gas)	TRK-82F
	4	w/Ford (Diesel)	TRK-82FD
	4	w/I.H.	TRK-82D
T98	4	w/.9055" Wide Driveshaft Bearing	TRK-82
T98A	4	w/.9055" Wide Driveshaft Bearing w/LH PTO	TRK-82
T98B	4	w/.9055" Wide Driveshaft Bearing	TRK-82
T98D	4	w/.9055" Wide Driveshaft Bearing	TRK-82

Heavy Duty Transfer Case Index

Fabco

Model No.	Comments	Kit
TC-38		TCRK-38
TC-170	Upper Shaft w/ PTO	TCRK-170A1
	Intermediate Shaft w/ & w/o Lube Pump	TCRK-170B
	Lower Shaft w/ Neutral	TCRK-170C
	Lower Shaft w/o Neutral	TCRK-170C1
	Upper Shaft w/o PTO	TCRK-170A
TC-170PD	Upper Shaft w/ PTO	TCRK-170A1
	Intermediate Shaft w/ & w/o Lube Pump	TCRK-170B
	Lower Shaft w/ Proportional Differential	TCRK-170C2
	Upper Shaft w/o PTO	TCRK-170A
TC-200	w/o PTO	TCRK-200
	w/ PTO	TCRK-200A
TC-237		TCRK-237
TC-270	w/o PTO	TCRK-270
TC-306		TCRK-306

Meritor/Rockwell

Model No.	Comments	Kit
MTC-4208		TCRK-929
MTC-4210		TCRK-929
MTC-4213		TCRK-930
T-2120-D		TCRK-926
T-221-A1		TCRK-221
T-221-M6		TCRK-221
T-221-M7		TCRK-221
T-221-N4		TCRK-221
T-223-A102		TCRK-903
T-223-A103		TCRK-900
T-223-A104		TCRK-900
T-223-A105		TCRK-900
T-223-A84		TCRK-900
T-223-A88		TCRK-900
T-223-A89		TCRK-900
T-223-A90		TCRK-900
T-223-A92		TCRK-900
T-223-A94		TCRK-900
T-223-C22		TCRK-900
T-223-C35		TCRK-903
T-223-C41		TCRK-901
T-223-C42		TCRK-903
T-223-C43		TCRK-901
T-223-C44		TCRK-901
T-223-E22		TCRK-900
T-223-E23		TCRK-900
T-223-H29		TCRK-903
T-223-H31		TCRK-903
T-223-H33		TCRK-903
T-223-H39		TCRK-902
T-223-H40		TCRK-903
T-223-H41		TCRK-903
T-223-H42		TCRK-903
T-223-H43		TCRK-903
T-223-H44		TCRK-902
T-223-H45		TCRK-903
T-223-H52		TCRK-903
T-223-H53		TCRK-903
T-223-H54		TCRK-903
T-223-H55		TCRK-903
T-223-H56		TCRK-903
T-223-H57		TCRK-903

Meritor/Rockwell

Model No.	Comments	Kit
T-223-M4		TCRK-900
T-226-103		TCRK-907
T-226-118		TCRK-906
T-226-132		TCRK-909
T-226-133		TCRK-908
T-226-136		TCRK-906
T-226-138		TCRK-907
T-226-139		TCRK-906
T-226-140		TCRK-906
T-226-148		TCRK-908
T-226-149		TCRK-909
T-226-155		TCRK-906
T-226-156		TCRK-906
T-226-159		TCRK-913
T-226-160		TCRK-906
T-226-161		TCRK-907
T-226-163		TCRK-906
T-226-164		TCRK-906
T-226-166		TCRK-906
T-226-167		TCRK-913
T-226-168		TCRK-907
T-226-169		TCRK-907
T-226-170		TCRK-906
T-226-171		TCRK-907
T-226-172		TCRK-908
T-226-173		TCRK-907
T-226-174		TCRK-906
T-226-175		TCRK-906
T-226-176		TCRK-913
T-226-177		TCRK-906
T-226-26		TCRK-906
T-226-28		TCRK-906
T-226-41		TCRK-906
T-226-65		TCRK-906
T-226-69		TCRK-906
T-226-80		TCRK-906
T-226-83		TCRK-906
T-226-85		TCRK-906
T-226-86		TCRK-906
T-226-A1		TCRK-904
T-226-A12		TCRK-904
T-226-A13		TCRK-904
T-226-A16		TCRK-904
T-226-A22		TCRK-905
T-226-A23		TCRK-904
T-226-AB1		TCRK-904
T-226-AB3		TCRK-904
T-226-AB5		TCRK-905
T-226-B28		TCRK-906
T-226-B30		TCRK-906
T-226-B48		TCRK-906
T-226-B67		TCRK-906
T-226-B68		TCRK-906
T-226-B70		TCRK-906
T-226-B73		TCRK-906
T-226-B74		TCRK-906
T-226-B76		TCRK-906
T-226-B77		TCRK-906
T-226-B78		TCRK-906
T-226-B79		TCRK-906
T-226-B80		TCRK-906
T-226-C17		TCRK-904

Heavy Duty Transfer Case Index

HD Transmission

Meritor/Rockwell

Model No.	Comments	Kit
T-226-C3		TCRK-904
T-226-CB12		TCRK-904
T-226-CB13		TCRK-905
T-226-CB4		TCRK-904
T-226-CB9		TCRK-905
T-226-D4		TCRK-906
T-226-D6		TCRK-907
T-226-E26		TCRK-917
T-226-E33		TCRK-917
T-226-E38		TCRK-910
T-226-E43		TCRK-917
T-226-E45		TCRK-910
T-226-E49		TCRK-917
T-226-E50		TCRK-910
T-226-E51		TCRK-910
T-226-E7		TCRK-917
T-226-F		TCRK-916
T-226-F19		TCRK-916
T-226-F2		TCRK-916
T-226-F20		TCRK-916
T-226-F25		TCRK-916
T-226-F26		TCRK-916
T-226-F31		TCRK-916
T-226-F33		TCRK-916
T-226-F34		TCRK-915
T-226-G		TCRK-906
T-226-G1		TCRK-906
T-226-G3		TCRK-906
T-226-H		TCRK-913
T-226-H3		TCRK-913
T-226-HB		TCRK-913
T-226-HB1		TCRK-913
T-226-J		TCRK-911
T-226-K4		TCRK-913
T-226-K7		TCRK-913
T-226-L		TCRK-913
T-226-L1		TCRK-913
T-226-L10		TCRK-913
T-226-L19		TCRK-913
T-226-L30		TCRK-913
T-226-L35		TCRK-913
T-226-L37		TCRK-914
T-226-L4		TCRK-913
T-226-L40		TCRK-914
T-226-L42		TCRK-913
T-226-L43		TCRK-913
T-226-L45		TCRK-913
T-226-L46		TCRK-913
T-226-L47		TCRK-913
T-226-L48		TCRK-913
T-226-L49		TCRK-913
T-226-L50		TCRK-913
T-226-L51		TCRK-913
T-226-L52		TCRK-914
T-226-L53		TCRK-913
T-226-L54		TCRK-913
T-226-L8		TCRK-913
T-226-M		TCRK-913
T-226-M1		TCRK-913
T-226-M3		TCRK-913
T-226-M4		TCRK-913
T-226-M5		TCRK-913

Meritor/Rockwell

Model No.	Comments	Kit
T-226-N		TCRK-911
T-226-N1		TCRK-912
T-226-N2		TCRK-912
T-226-P4		TCRK-913
T-226-P7		TCRK-913
T-226-Q		TCRK-913
T-226-Q1		TCRK-913
T-226-Q2		TCRK-914
T-226-R10		TCRK-918
T-226-R11		TCRK-918
T-226-R8		TCRK-918
T-226-S		TCRK-913
T-226-S1		TCRK-913
T-226-T		TCRK-911
T-226-T1		TCRK-911
T-226-W		TCRK-904
T-228-12		TCRK-919
T-228-19		TCRK-922
T-228-36		TCRK-919
T-228-37		TCRK-922
T-228-D100		TCRK-921
T-228-D101		TCRK-920
T-228-D102		TCRK-920
T-228-D103		TCRK-920
T-228-D104		TCRK-920
T-228-D106		TCRK-921
T-228-D107		TCRK-920
T-228-D108		TCRK-920
T-228-D109		TCRK-920
T-228-D25		TCRK-920
T-228-D27		TCRK-920
T-228-D31		TCRK-920
T-228-D38		TCRK-920
T-228-D58		TCRK-920
T-228-D60		TCRK-920
T-228-D77		TCRK-920
T-228-D81		TCRK-920
T-228-D82		TCRK-920
T-228-D85		TCRK-921
T-228-D88		TCRK-921
T-228-D89		TCRK-920
T-228-D90		TCRK-920
T-228-D92		TCRK-920
T-228-D93		TCRK-920
T-228-D94		TCRK-920
T-228-D95		TCRK-920
T-228-D97		TCRK-920
T-228-D98		TCRK-920
T-228-D99		TCRK-920
T-228-E		TCRK-925
T-228-E1		TCRK-925
T-228-F		TCRK-920
T-228-F1		TCRK-921
T-228-F2		TCRK-920
T-228-PD16		TCRK-923
T-228-PD37		TCRK-923
T-228-PD38		TCRK-924
T-32-42		TCRK-933
T-32-43		TCRK-933
T-32-46		TCRK-931
T-32-47		TCRK-933
T-32-57		TCRK-933

Heavy Duty Transfer Case Index

Meritor/Rockwell

Model No.	Comments	Kit
T-32-63		TCRK-933
T-32-65		TCRK-932
T-32-69		TCRK-933
T-32-70		TCRK-933
T-32-75		TCRK-931
T-32-78		TCRK-931
T-32-79		TCRK-933
T-32-80		TCRK-933
T-32-83		TCRK-932
T-32-84		TCRK-931
T-32-85		TCRK-931
T-32-86		TCRK-931
T-32-87		TCRK-931
T-32-88		TCRK-931
TG-2213	Built 6/01 & Prior	TCRK-927
	Built After 6/01	TCRK-928

Spicer

Model No.	Comments	Kit
738	Direct Mount	TCRK-738
	Remote Mount	TCRK-738A
784		TCRK-784
785		TCRK-792
791		TCRK-791
792		TCRK-792

Heavy Duty Transfer Case Rebuild Kits



HD Transmission

TCRK-38		
Position	Part Number	Qty
Input Shaft Front Brg.	59201-59425	1
Input Shaft Rear Brg.	455-453X	1
Input Gear Brg.	389A-382A	2
Intermediate Shaft Front Brg.	455-453X	1
Intermediate Shaft Rear Brg.	JH307749-JH307710	1
Intermediate Gear Brg.	389A-382A	2
Front Output Shaft Front Brg.	59201-59412	1
Front Output Shaft Rear Brg.	455-453X	1
Front Output Gear Brg.	389A-382A	2
Rear Output Shaft Front Brg.	HM804846-HM804810	1
Rear Output Shaft Rear Brg.	4595-4535	1
Input Shaft Seal	416664V (2.750x3.500)	1
Front Output Shaft Seal	416664V (2.750x3.500)	1
Rear Output Shaft Seal	417316V (2.750x3.751)	1
O-Ring Kit	OK38	1
Gasket Kit	GTC38	1

TCRK-170A		
Position	Part Number	Qty
Input Shaft Front Brg.	639-633	1
Input Shaft Rear Brg.	576-572	1
Input Shaft Seal	415991N (3.500x4.501)	1

TCRK-170A1		
Position	Part Number	Qty
Input Shaft Front Brg.	639-633	1
Input Shaft Rear Brg.	576-572	1
PTO Output Shaft Front Brg.	33212	1
PTO Output Shaft Rear Brg.	33212	1
Input Shaft Seal	415991N (3.500x4.501)	1
PTO Output Shaft Seal	415027N (3.500x4.999)	1

TCRK-170B		
Position	Part Number	Qty
Intermediate Shaft Brg.	643-633	2

TCRK-170C		
Position	Part Number	Qty
Front Output Shaft Front Brg.	JH211749-JH211710	1
Front Output Shaft Rear Brg.	JH211749-JH211710	1
Rear Output Shaft Front Brg.	576-572	1
Rear Output Shaft Rear Brg.	5584-5535	1
Front Output Shaft Seal	415027N (3.500x4.999)	1
Rear Output Shaft Seal	415991N (3.500x4.501)	1
O-Ring (Shifter Shaft)	OR316	1
O-Ring (Piston to Shaft)	OR012	2
O-Ring (Piston)	OR326	2
O-Ring (Cap)	OR032	1
O-Ring (Shift Cylinder)	OR224	3
Felt Wiper	339-0223	2

TCRK-170C1		
Position	Part Number	Qty
Front Output Shaft Front Brg.	JH211749-JH211710	1
Front Output Shaft Rear Brg.	JH211749-JH211710	1
Rear Output Shaft Front Brg.	576-572	1
Rear Output Shaft Rear Brg.	639-633	1
Front Output Shaft Seal	415027N (3.500x4.999)	1
Rear Output Shaft Seal	415991N (3.500x4.501)	1
O-Ring (Shifter Shaft)	OR316	1
O-Ring (Piston to Shaft)	OR012	2
O-Ring (Piston)	OR326	2
O-Ring (Cap)	OR032	1
O-Ring (Shift Cylinder)	OR224	3
Felt Wiper	339-0223	2

TCRK-170C2		
Position	Part Number	Qty
Front Output Shaft Brg.	5310KL	1
Differential Front Brg.	575-572	1
Differential Rear Brg.	580-572	1
Rear Output Shaft Front Brg.	32213	1
Rear Output Shaft Rear Brg.	32213	1
Front Output Shaft Seal	413248 (2.625x3.371)	1
Rear Output Shaft Seal	415027N (3.500x4.999)	1
O-Ring (Shifter Shaft)	OR316	1
O-Ring (Piston to Shaft)	OR012	2
O-Ring (Piston)	OR326	2
O-Ring (Cap)	OR032	1
O-Ring (Shift Cylinder)	OR224	3
Felt Wiper	339-0223	2

TCRK-200		
Position	Part Number	Qty
Input Shaft Front Brg.	65225-65500	1
Input Shaft Rear Brg.	JH211749-JH211710	1
Input Gear Brg.	JLM710949-JLM710910	2
Intermediate Shaft Front Brg.	JH211749-JH211710	1
Intermediate Shaft Rear Brg.	JH415647-JH415610	1
Intermediate Gear Brg.	JLM710949-JLM710910	2
Front Output Shaft Front Brg.	39578-39520	1
Front Output Shaft Rear Brg.	JH211749-JH211710	1
Front Output Gear Brg.	JLM710949-JLM710910	2
Rear Output Shaft Front Brg.	39580-39520	1
Rear Output Shaft Rear Brg.	639-632	1
Rear Output Gear Brg.	JLM710949-JLM710910	2
Input Shaft Seal	455088V (3.000x4.499)	1
Front Output Shaft Seal	455088V (3.000x4.499)	1
Rear Output Shaft Seal	455088V (3.000x4.499)	1
O-Ring Kit	OK200	1
Gasket Kit	GTC200	1

TCRK-200A		
Position	Part Number	Qty
Input Shaft Front Brg.	65225-65500	1
Input Shaft Rear Brg.	JH211749-JH211710	1
Input Gear Brg.	JLM710949-JLM710910	2
Intermediate Shaft Front Brg.	JH211749-JH211710	1
Intermediate Shaft Rear Brg.	JH415647-JH415610	1
Intermediate Gear Brg.	JLM710949-JLM710910	2
Front Output Shaft Front Brg.	39578-39520	1
Front Output Shaft Rear Brg.	JH211749-JH211710	1
Front Output Gear Brg.	JLM710949-JLM710910	2
Rear Output Shaft Front Brg.	39580-39520	1
Rear Output Shaft Rear Brg.	639-632	1
Rear Output Gear Brg.	JLM710949-JLM710910	2
PTO Front Brg.	462-453X	1
PTO Rear Brg.	462-453X	1
Input Shaft Seal	455088V (3.000x4.499)	1
Front Output Shaft Seal	455088V (3.000x4.499)	1
Rear Output Shaft Seal	455088V (3.000x4.499)	1
PTO Shaft Seal	417488 (3.000x4.376)	1
O-Ring Kit	OK200A	1
Gasket Kit	GTC200A	1

TCRK-221		
Position	Part Number	Qty
Input Shaft Front Brg.	207S	1
Input Shaft Rear Brg.	206S	1
Front Output Shaft Front Brg.	207L	1
Front Output Shaft Rear Brg.	209L	1
Rear Output Shaft Front Brg.	15126-15245	1
Rear Output Shaft Rear Brg.	15126-15245	1
Idler Shaft Front Brg.	02476-02420	1
Idler Shaft Rear Brg.	15126-15245	1
Input Shaft Seal	482164N (1.750x2.502)	1
Front Output Shaft Seal	482164N (1.750x2.502)	1
Rear Output Shaft Seal	482164N (1.750x2.502)	1
Shift Shaft Seal	6835S (.750x1.250)	2
PTO Shaft Seal	471424 (2.000x2.623)	2

TCRK-237		
Position	Part Number	Qty
Input Shaft Front Brg.	59201-59425	1
Input Shaft Rear Brg.	455-453X	1
Input Gear Brg.	389A-382A	2
Intermediate Shaft Front Brg.	455-453X	1
Intermediate Shaft Rear Brg.	JH307749-JH307710	1
Intermediate Gear Brg.	389A-382A	2
Front Output Shaft Front Brg.	33212	1
Front Output Shaft Rear Brg.	33212	1
Rear Output Shaft Front Brg.	575-572	1
Rear Output Shaft Rear Brg.	4595-4535	1
Input Shaft Seal	416664V (2.750x3.500)	1
Front Output Shaft Seal	415027V (3.500x4.999)	1
Rear Output Shaft Seal	417316V (2.750x3.751)	1
O-Ring Kit	OK237	1
Gasket Kit	GTC237	1

Heavy Duty Transfer Case Rebuild Kits

TCRK-270			TCRK-738A			TCRK-791		
Position	Part Number	Qty	Position	Part Number	Qty	Position	Part Number	Qty
Input Shaft Front Brg.	639-632	1	Input Shaft Front Brg.	312	1	Input Shaft Front Brg.	312	1
Input Shaft Rear Brg.	576-572	1	Input Shaft Rear Brg.	312	1	Input Shaft Rear Brg.	1314	1
Intermediate Shaft Front Brg.	JF7049A-JF7010	1	Intermediate Shaft Front Brg.	315	1	Intermediate Shaft Front Brg.	315	1
Intermediate Shaft Rear Brg.	JF7049A-JF7010	1	Intermediate Shaft Rear Brg.	315	1	Intermediate Shaft Rear Brg.	315	1
Front Output Shaft Front Brg.	47487-47420	1	Mainshaft Front Brg.	1314	1	Mainshaft Front Brg.	312	1
Front Output Shaft Rear Brg.	47487-47420	1	Mainshaft Rear Brg.	312	1	Mainshaft Rear Brg.	1314	1
Rear Output Shaft Front Brg.	748S-742	1	Lower Front Output Shaf	312	1	Lower Front Output Shaf	312	1
Rear Output Shaft Rear Brg.	575-572	1	Lower Front Output Shaf J401648 Disconnect Brg.		1	Lower Front Output Shaf J401648 Disconnect Brg.		1
Lower Direct Drive Gear Brg.	JM716649-JM716610	2	Input Shaft Seal	415013N (3.000x4.003)	1	Upper Rear Output Shaf	312	1
Lower Overdrive Gear Brg.	JM716649-JM716610	2	Lower Front Output Shaf Seal	415013N (3.000x4.003)	1	Upper Rear Output Disconnect Brg.	WJ162116	1
Input Shaft Seal	415991V (3.500x4.501)	1	Lower Rear Output Shaf Seal	415013N (3.000x4.003)	1	Input Shaft Seal	415013N (3.000x4.003)	1
Front Output Shaft Seal	415027V (3.500x4.999)	1	Upper Rear Output Shaf Seal	415013N (3.000x4.003)	1	Lower Front Output Shaf Seal	415013N (3.000x4.003)	1
Rear Output Shaft Seal	415559 (3.500x5.251)	1	Shift Shaft Seal	6835S (.750x1.250)	1	Lower Rear Output Shaf Seal	415013N (3.000x4.003)	1
O-Ring Kit	OK270	1	O-Ring Kit	OK700	1	Upper Rear Output Shaf Seal	415013N (3.000x4.003)	1
Gasket Kit	GTC270	1	Gasket Kit	GT700	1	Seal		
TCRK-306			TCRK-784			TCRK-792		
Position	Part Number	Qty	Position	Part Number	Qty	Position	Part Number	Qty
Input Shaft Front Brg.	JM612949-JM612910	1	Input Shaft Front Brg.	312	1	Input Shaft Front Brg.	312	1
Input Shaft Rear Brg.	JM612949-JM612910	1	Input Shaft Rear Brg.	312	1	Input Shaft Rear Brg.	1314	1
Output Shaft Front Brg.	47487-47420	1	Intermediate Shaft Front Brg.	315	1	Intermediate Shaft Front Brg.	315	1
Output Shaft Rear Brg.	47487-47420	1	Intermediate Shaft Rear Brg.	315	1	Intermediate Shaft Rear Brg.	315	1
Output Shaft High Gear Brg.	33275-33475	2	Mainshaft Front Brg.	1314	1	Mainshaft Front Brg.	1314	1
Output Shaft Low Gear Brg.	NJ214ECP	2	Mainshaft Rear Brg.	312	1	Mainshaft Rear Brg.	312	1
Output Shaft Disconnect Brg.	214	1	Lower Rear Output Shaf Brg.	312	1	Lower Front Output Shaf Brg.	312	1
Input Shaft Seal	415983N (3.750x4.499)	1	Lower Rear Output Shaf J401648 Disconnect Brg.		1	Lower Front Output Shaf J401648 Disconnect Brg.		1
Front Output Shaft Seal	415027V (3.500x4.999)	1	Upper Rear Output Shaf Brg.	1314	1	Upper Front Output Shaf Brg.	312	1
Rear Output Shaft Seal	415304 (3.250x4.249)	1	Upper Rear Output J401648 Disconnect Brg.		1	Upper Front Output Shaf J401648 Disconnect Brg.		1
O-Ring Kit	OK306	1	Input Shaft Seal	415013N (3.000x4.003)	1	Upper Rear Output Shaf	312	1
Gasket Kit	GTC306	1	Lower Front Output Shaf Seal	415013N (3.000x4.003)	1	Upper Front Output Shaf J401648 Disconnect Brg.		1
TCRK-738			TCRK-784			TCRK-792		
Position	Part Number	Qty	Position	Part Number	Qty	Position	Part Number	Qty
Input Shaft Brg.	122	1	Lower Rear Output Shaf Seal	415013N (3.000x4.003)	1	Input Shaft Seal	415013N (3.000x4.003)	1
Intermediate Shaft Front Brg.	315	1	Upper Rear Output Shaf Seal	415013N (3.000x4.003)	1	Lower Front Output Shaf Seal	415013N (3.000x4.003)	1
Intermediate Shaft Rear Brg.	315	1	Shift Shaft Seal	6835S (.750x1.250)	1	Lower Rear Output Shaf Seal	415013N (3.000x4.003)	1
Mainshaft Front Brg.	1314	1	O-Ring Kit	OK700	1	Upper Rear Output Shaf Seal	415013N (3.000x4.003)	1
Mainshaft Rear Brg.	312	1	Gasket Kit	GT700	1	Shift Shaft Seal	6835S (.750x1.250)	1
Lower Front Output Shaf Brg.	312	1				O-Ring Kit	OK700	1
Lower Front Output Shaf J401648 Disconnect Brg.		1				Gasket Kit	GT700	1
Upper Front Output Shaf Brg.	217	1						
Input Shaft Seal	415013N (3.000x4.003)	1						
Lower Front Output Shaf Seal	415013N (3.000x4.003)	1						
Lower Rear Output Shaf Seal	415013N (3.000x4.003)	1						
Upper Rear Output Shaf Seal	415013N (3.000x4.003)	1						
Shift Shaft Seal	6835S (.750x1.250)	1						
O-Ring Kit	OK700	1						
Gasket Kit	GT700	1						

HD Transmission

Heavy Duty Transfer Case Rebuild Kits



HD Transmission

TCRK-900		
Position	Part Number	Qty
Input Shaft Front Brg.	357-353	1
Input Shaft Rear Brg.	339-332	1
Idler Shaft Front Brg.	31597-31521	1
Idler Shaft Rear Brg.	31597-31521	1
Front Output Shaft Front 208L Brg.		1
Front Output Shaft Rear 211L Brg.		1
Front Output Shaft Needle Brg.	B2414-IR2016	1
Rear Output Shaft Front 25878-25821 Brg.		1
Rear Output Shaft Rear 25584-25520 Brg.		1
Input Shaft Seal 45031S (3.750x4.999)		1
Front Output Shaft Front 45031S (3.750x4.999) Seal		1
Front Output Shaft Rear 415483 (2.625x3.500) Seal		1
Rear Output Shaft Seal 471341N (2.250x2.996)		1
Transfer Shift Seal 470954 (.750x1.250)		2

TCRK-901		
Position	Part Number	Qty
Input Shaft Front Brg.	376-372	1
Input Shaft Rear Brg.	339-332	1
Idler Shaft Front Brg.	31597-31521	1
Idler Shaft Rear Brg.	31597-31521	1
Front Output Shaft Front 208L Brg.		1
Front Output Shaft Rear 211L Brg.		1
Front Output Shaft Needle Brg.	B2414-IR2016	1
Rear Output Shaft Front 25878-25821 Brg.		1
Rear Output Shaft Rear 25584-25520 Brg.		1
Input Shaft Seal 412015V (2.125x3.000)		1
Input Shaft Seal 471341N (2.250x2.996)		1
Front Output Shaft Front 45031S (3.750x4.999) Seal		1
Front Output Shaft Rear 415483 (2.625x3.500) Seal		1
Rear Output Shaft Seal 471341N (2.250x2.996)		1
Transfer Shift Seal 470954 (.750x1.250)		2

TCRK-902		
Position	Part Number	Qty
Input Shaft Front Brg.	376-372	1
Input Shaft Rear Brg.	339-332	1
Idler Shaft Front Brg.	HM89449-HM89411	1
Idler Shaft Rear Brg.	31597-31521	1
Front Output Shaft Front 208L Brg.		1
Front Output Shaft Rear 211L Brg.		1
Front Output Shaft Needle Brg.	B2414-IR2016	1
Rear Output Shaft Front 25878-25821 Brg.		1
Rear Output Shaft Rear 25584-25520 Brg.		1
Dec clutch Front Brg.	385A-382A	1
Dec clutch Rear Brg.	385A-382A	1
PTO Front Brg.	335-332	1
PTO Rear Brg.	335-332	1
Input Shaft Seal 412015V (2.125x3.000)		1
Input Shaft Seal 471341N (2.250x2.996)		1
Front Output Shaft Front 45031S (3.750x4.999) Seal		1
Front Output Shaft Rear 415483 (2.625x3.500) Seal		1
Rear Output Shaft Seal 471341N (2.250x2.996)		1
PTO Output Shaft Seal 473445 (1.687x2.437)		1
Transfer Shift Seal 470954 (.750x1.250)		2
PTO Shift Shaft Seal 455151 (2.687x3.751)		1

TCRK-903		
Position	Part Number	Qty
Input Shaft Front Brg.	376-372	1
Input Shaft Rear Brg.	339-332	1
Idler Shaft Front Brg.	HM89449-HM89411	1
Idler Shaft Rear Brg.	31597-31521	1
Front Output Shaft Front 208L Brg.		1
Front Output Shaft Rear 211L Brg.		1
Front Output Shaft Needle Brg.	B2414-IR2016	1
Rear Output Shaft Front 25878-25821 Brg.		1
Rear Output Shaft Rear 25584-25520 Brg.		1
Dec clutch Front Brg.	385A-382A	1
Dec clutch Rear Brg.	385A-382A	1
Input Shaft Seal 412015V (2.125x3.000)		1
Input Shaft Seal 471341N (2.250x2.996)		1
Front Output Shaft Front 45031S (3.750x4.999) Seal		1
Front Output Shaft Rear 415483 (2.625x3.500) Seal		1
Rear Output Shaft Seal 471341N (2.250x2.996)		1
Transfer Shift Seal 470954 (.750x1.250)		2

TCRK-904		
Position	Part Number	Qty
Mainshaft Front Brg.	59201-59412	1
Mainshaft Rear Brg.	3782-3732	1
Driving Idler Gear Brg.	1209A	2
Idler Shaft Front Brg.	59201-59412	1
Idler Shaft Rear Brg.	3767-3732	1
Front Output Shaft Brg.	33225-33472	1
Rear Output Shaft Brg.	59201-59412	1
Input Shaft Seal 416654 (2.937x4.003)		1
Front Output Shaft Seal 416654 (2.937x4.003)		1
Rear Output Shaft Seal 416654 (2.937x4.003)		1
Transfer Shift Seal 340483 (.875x1.250)		1

TCRK-905		
Position	Part Number	Qty
Mainshaft Front Brg.	59201-59412	1
Mainshaft Rear Brg.	3782-3732	1
Driving Idler Gear Brg.	1209A	2
Idler Shaft Front Brg.	59201-59412	1
Idler Shaft Rear Brg.	3767-3732	1
Front Output Shaft Brg.	33225-33472	1
Rear Output Shaft Brg.	59201-59412	1
PTO Front Brg.	342S-332	1
PTO Rear Brg.	342S-332	1
Input Shaft Seal 416654 (2.937x4.003)		1
Front Output Shaft Seal 416654 (2.937x4.003)		1
Rear Output Shaft Seal 416654 (2.937x4.003)		1
PTO Output Shaft Seal 473228 (1.500x2.502)		1
PTO Output Shaft Seal 450352 (1.750x2.502)		1
Transfer Shift Seal 340483 (.875x1.250)		1
PTO Shift Shaft Seal 330699 (.500x.875)		1

TCRK-906		
Position	Part Number	Qty
Mainshaft Front Brg.	59201-59412	1
Mainshaft Rear Brg.	3782-3732	1
Driving Idler Gear Brg.	1209A	2
Idler Shaft Front Brg.	59201-59412	1
Idler Shaft Rear Brg.	3767-3732	1
Front Output Shaft Brg.	33225-33472	1
Rear Output Shaft Brg.	59201-59412	1
Dec clutch Front Brg.	385A-382A	1
Dec clutch Rear Brg.	385A-382A	1
Input Shaft Seal 416654 (2.937x4.003)		1
Input Shaft Seal 456105 (3.187x4.249)		1
Front Output Shaft Seal 416654 (2.937x4.003)		1
Rear Output Shaft Seal 416654 (2.937x4.003)		1
Transfer Shift Seal 340483 (.875x1.250)		1
Dec clutch Shift Seal 7750 (.750x1.124)		1

TCRK-907		
Position	Part Number	Qty
Mainshaft Front Brg.	59201-59412	1
Mainshaft Rear Brg.	3782-3732	1
Driving Idler Gear Brg.	1209A	2
Idler Shaft Front Brg.	59201-59412	1
Idler Shaft Rear Brg.	3767-3732	1
Front Output Shaft Brg.	33225-33472	1
Rear Output Shaft Brg.	59201-59412	1
Dec clutch Front Brg.	385A-382A	1
Dec clutch Rear Brg.	385A-382A	1
PTO Front Brg.	342S-332	1
PTO Rear Brg.	342S-332	1
Input Shaft Seal 416654 (2.937x4.003)		1
Front Output Shaft Seal 416654 (2.937x4.003)		1
Rear Output Shaft Seal 416654 (2.937x4.003)		1
PTO Output Shaft Seal 473228 (1.500x2.502)		1
PTO Output Shaft Seal 450352 (1.750x2.502)		1
Transfer Shift Seal 340483 (.875x1.250)		1
Dec clutch Shift Seal 7750 (.750x1.124)		1
PTO Shift Shaft Seal 330699 (.500x.875)		1

TCRK-908		
Position	Part Number	Qty
Mainshaft Front Brg.	59201-59412	1
Mainshaft Rear Brg.	3782-3732	1
Driving Idler Gear Brg.	1209A	2
Idler Shaft Front Brg.	HM807046-HM807010	1
Idler Shaft Rear Brg.	39578-39528	1
Front Output Shaft Brg.	33225-33472	1
Rear Output Shaft Brg.	59201-59412	1
Dec clutch Front Brg.	385A-382A	1
Dec clutch Rear Brg.	385A-382A	1
Input Shaft Seal 456105 (3.187x4.249)		1
Front Output Shaft Seal 416654 (2.937x4.003)		1
Rear Output Shaft Seal 416654 (2.937x4.003)		1
Transfer Shift Seal 340483 (.875x1.250)		1
Dec clutch Shift Seal 543351		1

Heavy Duty Transfer Case Rebuild Kits Components Drivetrain Products



TCRK-909		
Position	Part Number	Qty
Mainshaft Front Brg.	59201-59412	1
Mainshaft Rear Brg.	3782-3732	1
Driving Idler Gear Brg.	1209A	2
Idler Shaft Front Brg.	HM807046-HM807010	1
Idler Shaft Rear Brg.	39578-39528	1
Front Output Shaft Brg.	33225-33472	1
Rear Output Shaft Brg.	59201-59412	1
Declutch Front Brg.	385A-382A	1
Declutch Rear Brg.	385A-382A	1
PTO Front Brg.	342S-332	1
PTO Rear Brg.	342S-332	1
Input Shaft Seal	456105 (3.187x4.249)	1
Front Output Shaft Seal	416654 (2.937x4.003)	1
Rear Output Shaft Seal	416654 (2.937x4.003)	1
PTO Output Shaft Seal	450352 (1.750x2.502)	1
Transfer Shift Seal	340483 (.875x1.250)	1
Declutch Shift Seal	543351	1
PTO Shift Shaft Seal	330699 (.500x.875)	1

TCRK-910		
Position	Part Number	Qty
Mainshaft Front Brg.	59201-59412	1
Mainshaft Rear Brg.	3782-3732	1
Driving Idler Gear Brg.	1209A	2
Idler Shaft Front Brg.	HM807046-HM807010	1
Idler Shaft Rear Brg.	39578-39528	1
Front Output Shaft Brg.	211B	1
Rear Output Shaft Brg.	211B	1
Differential Front Brg.	33287-33472	1
Differential Rear Brg.	42688-42620	1
Declutch Front Brg.	385A-382A	1
Declutch Rear Brg.	385A-382A	1
Input Shaft Seal	416654 (2.937x4.003)	1
Input Shaft Seal	456105 (3.187x4.249)	1
Front Output Shaft Seal	416654 (2.937x4.003)	1
Rear Output Shaft Seal	416654 (2.937x4.003)	1
Transfer Shift Seal	340483 (.875x1.250)	1
Declutch Shift Seal	543351	1
Declutch Shift Seal	7750 (.750x1.124)	1
Differential Shift Shaft Seal	471570 (.875x1.499)	1

TCRK-911		
Position	Part Number	Qty
Mainshaft Front Brg.	59201-59412	1
Mainshaft Rear Brg.	3782-3732	1
Driving Idler Gear Brg.	1209A	2
Idler Shaft Front Brg.	HM807046-HM807010	1
Idler Shaft Rear Brg.	39578-39528	1
Front Output Shaft Brg.	211B	1
Rear Output Shaft Brg.	211B	1
Differential Front Brg.	33287-33472	1
Differential Rear Brg.	42688-42620	1
Declutch Front Brg.	385A-382A	1
Declutch Rear Brg.	385A-382A	1
PTO Front Brg.	342S-332	1
PTO Rear Brg.	342S-332	1
Input Shaft Seal	456105 (3.187x4.249)	1
Front Output Shaft Seal	416654 (2.937x4.003)	1
Rear Output Shaft Seal	416654 (2.937x4.003)	1
PTO Output Shaft Seal	473228 (1.500x2.502)	1
PTO Output Shaft Seal	450352 (1.750x2.502)	1
Transfer Shift Seal	340483 (.875x1.250)	1
Declutch Shift Seal	543351	1
Differential Shift Shaft Seal	471570 (.875x1.499)	1
PTO Shift Shaft Seal	330699 (.500x.875)	1

TCRK-912		
Position	Part Number	Qty
Mainshaft Front Brg.	59201-59412	1
Mainshaft Rear Brg.	3782-3732	1
Driving Idler Gear Brg.	1209A	2
Idler Shaft Front Brg.	HM807046-HM807010	1
Idler Shaft Rear Brg.	45287-45220	1
Front Output Shaft Brg.	33225-33472	1
Rear Output Shaft Brg.	59201-59412	1
Input Shaft Seal	416654 (2.937x4.003)	1
Front Output Shaft Seal	416654 (2.937x4.003)	1
Rear Output Shaft Seal	416654 (2.937x4.003)	1
Transfer Shift Seal	340483 (.875x1.250)	1

TCRK-913		
Position	Part Number	Qty
Mainshaft Front Brg.	59201-59412	1
Mainshaft Rear Brg.	3782-3732	1
Driving Idler Gear Brg.	1209A	2
Idler Shaft Front Brg.	HM807046-HM807010	1
Idler Shaft Rear Brg.	45287-45220	1
Front Output Shaft Brg.	33225-33472	1
Rear Output Shaft Brg.	59201-59412	1
PTO Front Brg.	342S-332	1
PTO Rear Brg.	342S-332	1
Input Shaft Seal	416654 (2.937x4.003)	1
Front Output Shaft Seal	416654 (2.937x4.003)	1
Rear Output Shaft Seal	416654 (2.937x4.003)	1
PTO Output Shaft Seal	473228 (1.500x2.502)	1
PTO Output Shaft Seal	450352 (1.750x2.502)	1
Transfer Shift Seal	340483 (.875x1.250)	1
PTO Shift Shaft Seal	330699 (.500x.875)	1

TCRK-914		
Position	Part Number	Qty
Mainshaft Front Brg.	59201-59412	1
Mainshaft Rear Brg.	3782-3732	1
Driving Idler Gear Brg.	1209A	2
Idler Shaft Front Brg.	HM807046-HM807010	1
Idler Shaft Rear Brg.	45287-45220	1
Front Output Shaft Brg.	33225-33472	1
Rear Output Shaft Brg.	59201-59412	1
Declutch Front Brg.	385A-382A	1
Declutch Rear Brg.	385A-382A	1
Input Shaft Seal	416654 (2.937x4.003)	1
Input Shaft Seal	456105 (3.187x4.249)	1
Front Output Shaft Seal	416654 (2.937x4.003)	1
Rear Output Shaft Seal	416654 (2.937x4.003)	1
Transfer Shift Seal	340483 (.875x1.250)	1
Declutch Shift Seal	543351	1
Declutch Shift Seal	7750 (.750x1.124)	1

TCRK-915		
Position	Part Number	Qty
Mainshaft Front Brg.	59201-59412	1
Mainshaft Rear Brg.	3782-3732	1
Driving Idler Gear Brg.	1209A	2
Idler Shaft Front Brg.	HM807046-HM807010	1
Idler Shaft Rear Brg.	45287-45220	1
Front Output Shaft Brg.	33225-33472	1
Rear Output Shaft Brg.	59201-59412	1
Declutch Front Brg.	385A-382A	1
Declutch Rear Brg.	385A-382A	1
PTO Front Brg.	342S-332	1
PTO Rear Brg.	342S-332	1
Input Shaft Seal	416654 (2.937x4.003)	1
Input Shaft Seal	456105 (3.187x4.249)	1
Front Output Shaft Seal	416654 (2.937x4.003)	1
Rear Output Shaft Seal	416654 (2.937x4.003)	1
PTO Output Shaft Seal	473228 (1.500x2.502)	1
Transfer Shift Seal	340483 (.875x1.250)	1
Declutch Shift Seal	7750 (.750x1.124)	1
PTO Shift Shaft Seal	330699 (.500x.875)	1

TCRK-916		
Position	Part Number	Qty
Mainshaft Front Brg.	59201-59412	1
Mainshaft Rear Brg.	3782-3732	1
Driving Idler Gear Brg.	1209A	2
Idler Shaft Front Brg.	HM807046-HM807010	1
Idler Shaft Rear Brg.	45287-45220	1
Front Output Shaft Brg.	211B	1
Rear Output Shaft Brg.	211B	1
Differential Front Brg.	33287-33472	1
Differential Rear Brg.	42688-42620	1
Input Shaft Seal	416654 (2.937x4.003)	1
Front Output Shaft Seal	416654 (2.937x4.003)	1
Rear Output Shaft Seal	415984 (2.750x3.623)	1
Rear Output Shaft Seal	416654 (2.937x4.003)	1
Transfer Shift Seal	340483 (.875x1.250)	1
Differential Shift Shaft Seal	471570 (.875x1.499)	1

TCRK-917		
Position	Part Number	Qty
Mainshaft Front Brg.	59201-59412	1
Mainshaft Rear Brg.	3782-3732	1
Driving Idler Gear Brg.	1209A	2
Idler Shaft Front Brg.	HM807046-HM807010	1
Idler Shaft Rear Brg.	45287-45220	1
Front Output Shaft Brg.	211B	1
Rear Output Shaft Brg.	211B	1
Differential Front Brg.	33287-33472	1
Differential Rear Brg.	42688-42620	1
Declutch Front Brg.	385A-382A	1
Declutch Rear Brg.	385A-382A	1
Input Shaft Seal	416654 (2.937x4.003)	1
Input Shaft Seal	456105 (3.187x4.249)	1
Front Output Shaft Seal	416654 (2.937x4.003)	1
Rear Output Shaft Seal	416654 (2.937x4.003)	1
Transfer Shift Seal	340483 (.875x1.250)	1
Differential Shift Shaft Seal	471570 (.875x1.499)	1
Declutch Shift Seal	7750 (.750x1.124)	1

TCRK-918		
Position	Part Number	Qty
Mainshaft Front Brg.	59201-59412	1
Mainshaft Rear Brg.	3782-3732	1
Idler Shaft Front Brg.	59201-59412	1
Idler Shaft Rear Brg.	3767-3732	1
Front Output Shaft Brg.	33225-33472	1
Rear Output Shaft Brg.	59201-59412	1
Declutch Front Brg.	385A-382A	1
Declutch Rear Brg.	385A-382A	1
Input Shaft Seal	416654 (2.937x4.003)	1
Mainshaft Rear Seal	415147 (2.500x3.500)	1
Rear Output Shaft Seal	416654 (2.937x4.003)	1
Transfer Shift Seal	340483 (.875x1.250)	1
Declutch Shift Seal	7750 (.750x1.124)	1

TCRK-919		
Position	Part Number	Qty
Mainshaft Front Brg.	HM212044-HM212011	1
Mainshaft Rear Brg.	28682-28622	1
Idler Shaft Front Brg.	5584-5535	1
Idler Shaft Rear Brg.	HM212046-HM212011	1
Front Output Shaft Brg.	594-592A	1
Rear Output Shaft Front Brg.	1828U307	1
Rear Output Shaft Rear Brg.	590A-592A	1
Input Shaft Seal	417487 (3.000x4.249)	1
Rear Output Shaft Inner Seal	416130 (4.000x5.376)	1
Rear Output Shaft Outer Seal	A1205W2415	1
Transfer Shift Seal	471570 (.875x1.499)	1

HD Transmission

Heavy Duty Transfer Case Rebuild Kits



HD Transmission

TCRK-920		
Position	Part Number	Qty
Mainshaft Front Brg.	HM212044-HM212011	1
Mainshaft Rear Brg.	28682-28622	1
Idler Shaft Front Brg.	5584-5535	1
Idler Shaft Rear Brg.	HM212046-HM212011	1
Front Output Shaft Rear Brg.	594-592A	1
Rear Output Shaft Front Brg.	1828U307	1
Rear Output Shaft Rear Brg.	590A-592A	1
Declutch Brg.	1311L	1
Input Shaft Seal	417487 (3.000x4.249)	1
Input Shaft Seal	A1205W2415	1
Rear Output Shaft Inner Seal	416130 (4.000x5.376)	1
Rear Output Shaft Outer Seal	A1205W2415	1
Declutch Seal	416654 (2.937x4.003)	1
Transfer Shift Seal	471570 (.875x1.499)	1
Declutch Shift Seal	470954 (.750x1.250)	1

TCRK-921		
Position	Part Number	Qty
Mainshaft Front Brg.	HM212044-HM212011	1
Mainshaft Rear Brg.	28682-28622	1
Idler Shaft Front Brg.	5584-5535	1
Idler Shaft Rear Brg.	HM212046-HM212011	1
Front Output Shaft Rear Brg.	594-592A	1
Rear Output Shaft Front Brg.	1828U307	1
Rear Output Shaft Rear Brg.	590A-592A	1
Declutch Brg.	1311L	1
PTO Front Brg.	1311L	1
PTO Rear Brg.	211B	1
Input Shaft Seal	417487 (3.000x4.249)	1
Input Shaft Seal	A1205W2415	1
Rear Output Shaft Inner Seal	416130 (4.000x5.376)	1
Rear Output Shaft Outer Seal	A1205W2415	1
Declutch Seal	416654 (2.937x4.003)	1
PTO Input Shaft Seal	470737N (2.250x3.189)	1
PTO Output Shaft Seal	416654 (2.937x4.003)	1
Transfer Shift Seal	471570 (.875x1.499)	1
Declutch Shift Seal	470954 (.750x1.250)	1
PTO Shift Shaft Seal	470954 (.750x1.250)	1

TCRK-922		
Position	Part Number	Qty
Mainshaft Front Brg.	HM212044-HM212011	1
Mainshaft Rear Brg.	28682-28622	1
Idler Shaft Front Brg.	5584-5535	1
Idler Shaft Rear Brg.	HM212046-HM212011	1
Front Output Shaft Rear Brg.	594-592A	1
Rear Output Shaft Front Brg.	1828U307	1
Rear Output Shaft Rear Brg.	590A-592A	1
PTO Front Brg.	1311L	1
PTO Rear Brg.	211B	1
Input Shaft Seal	417487 (3.000x4.249)	1
Rear Output Shaft Inner Seal	416130 (4.000x5.376)	1
Rear Output Shaft Outer Seal	A1205W2415	1
PTO Input Shaft Seal	470737N (2.250x3.189)	1
PTO Output Shaft Seal	416654 (2.937x4.003)	1
Transfer Shift Seal	471570 (.875x1.499)	1
PTO Shift Shaft Seal	470954 (.750x1.250)	1

TCRK-923		
Position	Part Number	Qty
Mainshaft Front Brg.	HM212044-HM212011	1
Mainshaft Rear Brg.	28682-28622	1
Idler Shaft Front Brg.	5584-5535	1
Idler Shaft Rear Brg.	HM212046-HM212011	1
Front Output Shaft Front Brg.	1311L	1
Front Output Shaft Rear Brg.	594-592A	1
Rear Output Shaft Front Brg.	1828U307	1
Rear Output Shaft Rear Brg.	590A-592A	1
Input Shaft Seal	417487 (3.000x4.249)	1
Front Output Shaft Seal	416654 (2.937x4.003)	1
Rear Output Shaft Seal	A1205W2415	1
Transfer Shift Seal	471570 (.875x1.499)	1

TCRK-924		
Position	Part Number	Qty
Mainshaft Front Brg.	HM212044-HM212011	1
Mainshaft Rear Brg.	28682-28622	1
Idler Shaft Front Brg.	5584-5535	1
Idler Shaft Rear Brg.	HM212046-HM212011	1
Front Output Shaft Front Brg.	1311L	1
Front Output Shaft Rear Brg.	594-592A	1
Rear Output Shaft Front Brg.	1828U307	1
Rear Output Shaft Rear Brg.	590A-592A	1
PTO Front Brg.	1311L	1
PTO Rear Brg.	211B	1
Input Shaft Seal	417487 (3.000x4.249)	1
Front Output Shaft Seal	416654 (2.937x4.003)	1
Rear Output Shaft Seal	A1205W2415	1
PTO Input Shaft Seal	470737N (2.250x3.189)	1
PTO Output Shaft Seal	416654 (2.937x4.003)	1
Transfer Shift Seal	471570 (.875x1.499)	1
PTO Shift Shaft Seal	470954 (.750x1.250)	1

TCRK-925		
Position	Part Number	Qty
Mainshaft Front Brg.	HM212044-HM212011	1
Mainshaft Rear Brg.	28682-28622	1
Idler Shaft Front Brg.	5584-5535	1
Idler Shaft Rear Brg.	HM212046-HM212011	1
Declutch Brg.	1311L	1
Front Output Shaft Rear Brg.	594-592A	1
Rear Output Shaft Rear Brg.	590A-592A	1
Input Shaft Seal	417487 (3.000x4.249)	1
Mainshaft Rear Seal	55563	1
Rear Output Shaft Seal	415995 (3.000x4.003)	1
Declutch Seal	416654 (2.937x4.003)	1
Declutch Shift Seal	470954 (.750x1.250)	1

TCRK-926		
Position	Part Number	Qty
Input Shaft Front Brg.	835-832	1
Input Shaft Rear Brg.	835-832	1
Idler Gear Front Brg.	835-832	1
Idler Gear Rear Brg.	835-832	1
Output Shaft Front Brg.	843-832	1
Output Shaft Rear Brg.	843-832	1
Declutch Brg.	1228N1262	1
Input Shaft Seal	A1205D2422	2
Rear Output Shaft Seal	A1205D2422	2
Declutch Inner Seal	45013S (3.000x4.003)	1
Declutch Outer Seal	416654 (2.937x4.003)	1

TCRK-927		
Position	Part Number	Qty
Input Shaft Front Brg.	H715334-H715311	1
Input Shaft Rear Brg.	H715334-H715311	1
Output Shaft Front Brg.	H715334-H715311	1
Output Shaft Rear Brg.	H715334-H715311	1
Declutch Brg.	212	1
Declutch Pilot Brg.	1228Z1222	1
Input Shaft Seal	DTR2592 (3.250x4.250)	1
Output Shaft Seal	DTR2592 (3.250x4.250)	1
Declutch Seal	DTR2592 (3.250x4.250)	1

TCRK-928		
Position	Part Number	Qty
Input Shaft Front Brg.	H715334-H715311	1
Input Shaft Rear Brg.	H715334-H715311	1
Output Shaft Front Brg.	H715334-H715311	1
Output Shaft Rear Brg.	H715334-H715311	1
Declutch Brg.	JLM506849-JLM506810	2
Input Shaft Seal	DTR2592 (3.250x4.250)	1
Output Shaft Seal	DTR2592 (3.250x4.250)	1
Declutch Seal	DTP2590 (3.000x3.750)	1

TCRK-929		
Position	Part Number	Qty
Input Shaft Front Brg.	HM813843-HM83810	1
Input Shaft Rear Brg.	HM813843-HM813810	1
Idler Gear Front Brg.	HM212049-HM212011	1
Idler Gear Rear Brg.	HM212049-HM212011	1
Front Output Shaft Front Brg.	HM212049-HM212011	1
Front Output Shaft Rear Brg.	HM813843-HM813810	1
Rear Output Shaft Front Brg.	HM212049-HM212011	1
Rear Output Shaft Rear Brg.	HM212049-HM212011	1
Input Shaft Seal	DTR2592 (3.250x4.250)	1
Front Output Shaft Seal	DTR2592 (3.250x4.250)	1
Rear Output Shaft Seal	DTR2592 (3.250x4.250)	1
PTO Output Shaft Seal	DTP2590 (3.000x3.750)	1

TCRK-930		
Position	Part Number	Qty
Input Shaft Front Brg.	HM813843-HM813810	1
Input Shaft Rear Brg.	NP674708-NP682041	1
Idler Gear Front Brg.	HM212049-HM212011	1
Idler Gear Rear Brg.	HM212049-HM212011	1
Transfer Gear Front Brg.	HM212049-HM212011	1
Transfer Gear Rear Brg.	HM212049-HM212011	1
Front Output Shaft Front Brg.	HM212049-HM212011	1
Front Output Shaft Rear Brg.	HM813843-HM813810	1
Rear Output Shaft Front Brg.	HM212049-HM212011	1
Rear Output Shaft Rear Brg.	HM212049-HM212011	1
Input Shaft Seal	DTR2592 (3.250x4.250)	1
Front Output Shaft Seal	DTR2592 (3.250x4.250)	1
Rear Output Shaft Seal	DTQ2591 (3.250x5.500)	1

Heavy Duty Transfer Case Rebuild Kits Components Drivetrain Products



TCRK-931		
Position	Part Number	Qty
Mainshaft Front Brg.	1307S	1
Mainshaft Rear Brg.	1307S	1
Idler Shaft Front Brg.	339-332	1
Idler Shaft Rear Brg.	339-332	1
Output Shaft Front Brg.	342S-332	1
Output Shaft Rear Brg.	339-332	1
Declutch Front Brg.	14137A-14274	1
Declutch Rear Brg.	14137A-14274	1
Input Shaft Seal	472394 (1.937x3.000)	1
Mainshaft Rear Seal	472394 (1.937x3.000)	1
Declutch Seal	472394 (1.937x3.000)	1
Rear Output Shaft Seal	415281N (3.000x3.751)	1
Rear Output Shaft Seal	472394 (1.937x3.000)	1
Transfer Shift Seal	340483 (.875x1.250)	1
Declutch Shift Seal	455151 (2.687x3.751)	1

TCRK-932		
Position	Part Number	Qty
Mainshaft Front Brg.	1307S	1
Mainshaft Rear Brg.	1307S	1
Idler Shaft Front Brg.	339-332	1
Idler Shaft Rear Brg.	339-332	1
Output Shaft Front Brg.	342S-332	1
Output Shaft Rear Brg.	339-332	1
PTO Front Brg.	335-332	1
PTO Rear Brg.	335-332	1
Input Shaft Seal	472394 (1.937x3.000)	1
Mainshaft Rear Seal	472394 (1.937x3.000)	1
Front Output Shaft Seal	472394 (1.937x3.000)	1
Rear Output Shaft Seal	415281N (3.000x3.751)	1
Rear Output Shaft Seal	472394 (1.937x3.000)	1
PTO Output Shaft Seal	473445 (1.687x2.437)	1
Transfer Shift Seal	340483 (.875x1.250)	1
PTO Shift Shaft Seal	455151 (2.687x3.751)	1

TCRK-933		
Position	Part Number	Qty
Mainshaft Front Brg.	1307S	1
Mainshaft Rear Brg.	1307S	1
Idler Shaft Front Brg.	339-332	1
Idler Shaft Rear Brg.	339-332	1
Output Shaft Front Brg.	339-332	1
Output Shaft Rear Brg.	339-332	1
Input Shaft Seal	472394 (1.937x3.000)	1
Mainshaft Rear Seal	472394 (1.937x3.000)	1
Front Output Shaft Seal	472394 (1.937x3.000)	1
Rear Output Shaft Seal	415281N (3.000x3.751)	1
Rear Output Shaft Seal	472394 (1.937x3.000)	1
Transfer Shift Seal	340483 (.875x1.250)	1

TRK-2		
Position	Part Number	Qty
Input Shaft Brg.	1313S	1
Input Shaft Pilot Brg.	22207	1
Output Shaft Center Brg.	MU1312TM	1
Output Shaft Rear Brg.	5215WL	1
Countershaft Front Brg.	MR1309EAL	1
Countershaft Rear Brg.	MSN1311GELR	1
Rev. Idler Gear Brg.	J402480	2
1st Gear Brg.	F53539 ¹¹	1
2nd Gear Brg.	F53540 ¹¹	1
3rd Gear Brg.	F53540 ¹¹	1
Input Shaft Seal	455995N (3.000x4.003)	1
Output Shaft Seal	415013N (3.000x4.003)	1
Remote Control Seal	350567 (.875x1.375) •	2
Sealer	RTV Silicone	1

TRK-2A		
Position	Part Number	Qty
Input Shaft Brg.	1313S	1
Input Shaft Pilot Brg.	MU5207UM	1
Output Shaft Center Brg.	MU1312TM	1
Output Shaft Rear Brg.	5215WL	1
Countershaft Front Brg.	MR1309EAL	1
Countershaft Rear Brg.	MSN1311GELR	1
Rev. Idler Gear Brg.	J402480	2
1st Gear Brg.	F53539	1
2nd Gear Brg.	F53540	1
3rd Gear Brg.	F53540	1
Input Shaft Seal	455995N (3.000x4.003)	1
Output Shaft Seal	415013N (3.000x4.003)	1
Remote Control Seal	350567 (.875x1.375)	2
Sealer	RTV Silicone	1

TRK-3		
Position	Part Number	Qty
Input Shaft Front Brg.	5212W	1
Input Shaft Rear Brg.	MR1313EL	1
Input Shaft Pilot Brg.	MR1308TV	1
Output Shaft Brg.	1412L	1
Countershaft Front Brg.	MSN1311GELR	1
Countershaft Rear Brg.	MR1311EAHL	1
1st Gear Brg.	F53543-S444Q ¹²	1
2nd Gear Brg.	F53543-S444Q ¹²	1
3rd Gear Brg.	F53542-S444Q ¹²	1
Input Shaft Seal	415281N (3.000x3.751)	1
Output Shaft Seal	415281N (3.000x3.751)	1
Output Shaft Seal	415013N (3.000x4.003)	1
Remote Control Seal	450680 (.875x1.499) •	2
Gasket Set	GT155	1

TRK-4		
Position	Part Number	Qty
Input Shaft Front Brg.	5212W	1
Input Shaft Rear Brg.	MR1313EJ	1
Input Shaft Pilot Brg.	MR1308EJ	1
Output Shaft Brg.	1412L	1
Countershaft Front Brg.	MSN1311GELR	1
Countershaft Rear Brg.	MR1311EAHL	1
	F53543-S444Q ¹²	1
2nd Gear Brg.	F53543-S444Q ¹²	1
3rd Gear Brg.	F53542-S444Q ¹²	1
Input Shaft Seal	415281N (3.000x3.751)	1
Output Shaft Seal	415281N (3.000x3.751)	1
Output Shaft Seal	415013N (3.000x4.003)	1
Remote Control Seal	450032 (.875x1.499) •	2
Gasket Set	GT155	1

TRK-23		
Position	Part Number	Qty
Input Shaft Brg.	211SL	1
Input Shaft Pilot Brg.	SRA5304	1
Output Shaft Brg.	309L	1
Countershaft Front Brg.	M28161	1
Countershaft Rear Brg.	308SL	1
Rev. Idler Gear Brg.	F54970	2
Output Shaft Seal	471271 (2.500x3.251)	1
Output Shaft Seal	450867 (2.125x2.875)	1
Gasket Set	GT23	1

TRK-23B		
Position	Part Number	Qty
Input Shaft Brg.	1211SL	1
Input Shaft Pilot Brg.	SRA5304	1
Output Shaft Brg.	N309L	1
Countershaft Front Brg.	M28161	1
Countershaft Rear Brg.	1308SL	1
Rev. Idler Gear Brg.	F54970	2
Output Shaft Seal	450519 (2.500x3.251)	1
Output Shaft Seal	450867 (2.125x2.875)	1
Gasket Set	GT23	1

TRK-27		
Position	Part Number	Qty
Input Shaft Brg.	1211SL	1
Input Shaft Pilot Brg.	Q15902-F	1
Output Shaft Brg.	1308L	1
Countershaft Front Brg.	1207L	1
Countershaft Rear Brg.	B2816	1
Input Shaft Seal	7412S (1.250x1.750)	1
Output Shaft Seal	6879H (2.125x2.875)	1
Remote Control Seal	6835S (.750x1.250)	1
Gasket Set	GT26	1

TRK-28		
Position	Part Number	Qty
Input Shaft Brg.	1213SL	1
Input Shaft Pilot Brg.	0513Q	1
Output Shaft Brg.	1310L	1
Countershaft Front Brg.	M1208EL	1
Countershaft Rear Brg.	1308SL	1
Rev. Idler Gear Brg.	J322064	2
Input Shaft Seal	481181N (1.625x2.125)	1
Input Shaft Seal	452742 (1.781x2.502) •	1
Output Shaft Seal	471271 (2.500x3.251)	1
Remote Control Seal	350567 (.875x1.375) •	2
Gasket Set	GT28	1

TRK-29		
Position	Part Number	Qty
Input Shaft Brg.	1211SL	1
Input Shaft Pilot Brg.	Q15902-F	1
Output Shaft Brg.	1308L	1
Countershaft Front Brg.	1208L	1
Countershaft Rear Brg.	Q15902-F	2
Rev. Idler Front Brg.	B1412	1
Rev. Idler Rear Brg.	B1816	1
Rev. Idler Thrust Brg.	NTA815	1
Input Shaft Seal	481181N (1.625x2.125) ¹³	1
Output Shaft Seal	6879H (2.125x2.875)	1
Output Shaft Seal	471271 (2.500x3.251)	1
Remote Control Seal	350679 (.750x1.250) •	1
Gasket Set	GT26	1

TRK-29B		
Position	Part Number	Qty
Input Shaft Brg.	1211SL	1
Input Shaft Pilot Brg.	Q15902-F	1
Output Shaft Brg.	309L	1
Countershaft Front Brg.	1208L	1
Countershaft Rear Brg.	Q15902-F	2
Rev. Idler Front Brg.	B1412	1
Rev. Idler Rear Brg.	B1816	1
Rev. Idler Thrust Brg.	NTA815	1
Output Shaft Seal	471271 (2.500x3.251)	1
Remote Control Seal	350679 (.750x1.250) •	1
Gasket Set	GT26	1

TRK-48		
Position	Part Number	Qty
Input Shaft Brg.	1212SL	1
Input Shaft Pilot Brg.	J401652	1
Output Shaft Brg.	1310L	1
Countershaft Front Brg.	M32161	1
Countershaft Rear Brg.	1309SL	1
Rev. Idler Gear Brg.	J401652	2
Output Shaft Seal	450316 (2.250x3.251)	1
Output Shaft Seal	471271 (2.500x3.251)	1
Remote Control Seal	6835S (.750x1.250)	1
Gasket Set	GT133	1

¹¹Some Models will use S456Q Loose Needles instead of F53539 or F53540 Caged Needles. S456Q not packed in kit.
¹²Optional for 8341 & 8345; S444Q (186) for 1st Gear & (124) each for 2nd & 3rd Gears(included in kit)

¹³Some Models use 7412S
 • Not Packed In Kit

HD Transmission

Heavy Duty Transmission Rebuild Kits



HD Transmission

TRK-58		
Position	Part Number	Qty
Input Shaft Brg.	212SLV	1
Input Shaft Pilot Bushing	BS59 ²⁶	1
Output Shaft Center Brg.	118L	1
Output Shaft Rear Brg.	213	1
Countershaft Front Brg.	MSN1211REX	2
Countershaft Rear Brg.	MU1308TWWS	2
Rev. Idler Gear Brg.	HJ223020-IR1820OH	2
Input Shaft Nut	CN1 (8997)	1
Output Shaft Seal	415991N (3.500x4.501)	1
Output Shaft Seal	415013N (3.000x4.003) •	1
Shift Rod Seal	350567 (.875x1.375) •	1
Snap Ring Set	SR58	1
Gasket Set	GT58	1

TRK-58A		
Position	Part Number	Qty
Input Shaft Brg.	212SLV	1
Input Shaft Pilot Bushing	BS59	1
Output Shaft Center Brg.	118L	1
Output Shaft Rear Brg.	213	1
Countershaft Front Brg.	BS500192SX	2
Countershaft Rear Brg.	MU1308TWWS	2
Rev. Idler Gear Brg.	HJ223020-IR1820OH	2
Mainshaft Rear Seal	415991N (3.500x4.501)	1
Snap Ring Set	SR58	1
Gasket Set	GT58	1

TRK-65		
Position	Part Number	Qty
Input Shaft Brg.	1313SL	1
Input Shaft Pilot Brg.	MRB1308EL	1
Mainshaft Brg.	496-493	2
Mainshaft Pilot Brg.	MA1308TV	1
Output Shaft Brg.	66589-66521DB ¹⁵	1
Countershaft Front Brg.	MR1309EL	1
Countershaft Rear Brg.	621-613B	1
Rear Countershaft Front Brg.	621-612	1
Rear Countershaft Rear Brg.	621-612	1
Rev. Idler Gear Brg.	J482064	2
Output Shaft Seal	416470N (3.250x4.249)	1
Remote Control Seal	41224S (1.000x1.499) •	1
Shift Rail Seal	471570 (.875x1.499)	2
Sealer	RTV Silicone	1

TRK-70		
Position	Part Number	Qty
Input Shaft Front Brg.	28580-28521	1
Input Shaft Rear Brg.	28580-28521	1
Input Shaft Pilot Brg.	1209A	1
Output Shaft Brg.	1310	1
Countershaft Front Brg.	3479-3420	1
Countershaft Rear Brg.	3479-3420	1
Input Shaft Seal	475322N (2.750x3.543)	1
Output Shaft Seal	475322N (2.750x3.543)	1
Remote Control Seal	450680 (.875x1.499) •	2
Gasket Set	GT70	1

TRK-72		
Position	Part Number	Qty
Input Shaft Brg.	1216SL	1
Input Shaft Pilot Brg.	0513Q	1
Output Shaft Brg.	1311L	1
Countershaft Front Brg.	MR1209EL	1
Countershaft Rear Brg.	1310SL	1
Rev. Idler Gear Brg.	J402464	2
Input Shaft Seal	475322N (2.750x3.543)	1
Output Shaft Seal	452742 (1.781x2.502)	1
Output Shaft Seal	415004 (2.750x3.751)	1
Remote Control Seal	450567 (.875x1.375) •	2
Shift Rod Seal	450032 (.875x1.499) •	2
Shift Rod Seal	6835S (.750x1.250) •	4
Shift Solenoid Seal	450009 (.625x1.124) •	1
Input Shaft Seal	475012N (3.937x4.003) •	1
Gasket Set	GT72	1

TRK-73		
Position	Part Number	Qty
Input Shaft Front Brg.	1210	1
Input Shaft Rear Brg.	MSN1312EL	1
Input Shaft Pilot Brg.	MU1209TV	1
Output Shaft Brg.	1312L	1
Countershaft Front Brg.	3877-3820	1
Countershaft Rear Brg.	462-453A	1
Speed Gear Brg.	F54540	1
Input Shaft Seal	415004 (2.750x3.751)	1
Input Shaft Seal	475322N (2.750x3.543)	1
Output Shaft Seal	415013N (3.000x4.003)	1
Output Shaft Seal	415281N (3.000x3.751)	1
Output Shaft Seal	475322N (2.750x3.543) •	1
Remote Control Seal	471570 (.875x1.499)	2
Shift Rod Seal	350567 (.875x1.375) •	4
Gasket Set	GT73	1

TRK-74		
Position	Part Number	Qty
Input Shaft Brg.	1313S	1
Input Shaft Pilot Brg.	22207	1
Mainshaft Front Brg.	WSN61219EV	1
Mainshaft Rear Brg.	MR1308EJ	1
Output Shaft Brg.	1412L	1
Countershaft Front Brg.	MR1309EAL	1
Countershaft Rear Brg.	MSN1311GELR	1
Rev. Idler Gear Brg.	J402480	2
1st Gear Brg.	F53541	1
2nd Gear Brg.	S456Q	1
3rd Gear Brg.	F53540	1
Aux. Countershaft Front Brg.	MSN1311GELR	1
Aux. Countershaft Rear Brg.	MR1311EAHL	1
Aux. 1st Gear Brg.	F53543 ¹⁶	1
Aux. 2nd Gear Brg.	F53543 ¹⁶	1
Aux. 3rd Gear Brg.	F53542 ¹⁶	1
Input Shaft Seal	415013N (3.000x4.003)	1
Input Shaft Seal	415281N (3.000x3.751)	1
Remote Control Seal	350567 (.875x1.375) •	2
Sealer	RTV Silicone	1

TRK-82		
Position	Part Number	Qty
Input Shaft Brg.	1308L	1
Input Shaft Pilot Brg.	W1590Q	1
Output Shaft Brg.	308L	1
Countershaft Front Brg.	C436Q	1
Countershaft Rear Brg.	C436Q	1
Rev. Idler Gear Brg.	B1316Q	2
2nd Gear Brg.	Q6086	1
Input Shaft Seal	471413 (1.250x1.752)	1
Output Shaft Seal	473463 (2.000x3.062)	1
Gasket Set	GT82D	1

TRK-82D		
Position	Part Number	Qty
Driveshaft Rear Brg.	308L1	1
Input Shaft Brg.	C436Q	1
Input Shaft Pilot Brg.	1308L	1
Output Shaft Brg.	C436Q	1
Countershaft Rear Brg.	C436Q	1
Rev. Idler Gear Brg.	B1316Q	2
Input Shaft Seal	471413 (1.250x1.752)	1
Output Shaft Seal	473463 (2.000x3.062)	1
Output Shaft Seal	450308 (2.125x3.061)	1
Output Shaft Seal	470380 (1.500x2.375)	1
O-Ring	OR111	1
Gasket Set	GT82D	1

TRK-82F		
Position	Part Number	Qty
Input Shaft Brg.	308L1	1
Input Shaft Pilot Brg.	C436Q	1
Output Shaft Brg.	1308L	1
Countershaft Front Brg.	C436Q	1
Countershaft Rear Brg.	C436Q	1
Rev. Idler Gear Brg.	B1316Q	2
Input Shaft Seal	51083 (1.250x1.752)	1
Output Shaft Seal	450308 (2.125x3.061)	1
Output Shaft Seal	470380 (1.500x2.375)	1
Output Shaft Seal	473442 (1.562x2.875)	1
Output Shaft Seal	471271 (2.500x3.251)	1
Gasket Set	GT82D	1

TRK-82FD		
Position	Part Number	Qty
Input Shaft Brg.	M802048-M802011	1
Input Shaft Pilot Brg.	C436Q	1
Output Shaft Brg.	1308L	1
Countershaft Front Brg.	C436Q	1
Countershaft Rear Brg.	C436Q	1
Rev. Idler Gear Brg.	B1316Q	2
Input Shaft Seal	51083 (1.250x1.752)	1
Output Shaft Seal	471271 (2.500x3.251)	1
Output Shaft Seal	472189A (1.500x2.377)	1
Gasket Set	GT82D	1

TRK-86		
Position	Part Number	Qty
Input Shaft Front Brg.	210	1
Input Shaft Rear Brg.	1311L	1
Input Shaft Pilot Brg.	MU1209TV	1
Output Shaft Brg.	1311L	1
Countershaft Front Brg.	3479-3420	1
Countershaft Rear Brg.	3479-3420	1
Input Shaft Seal	415004 (2.750x3.751)	1
Output Shaft Seal	415004 (2.750x3.751)	1
Output Shaft Seal	475322N (2.750x3.543)	1
Remote Control Seal	471570 (.875x1.499)	2
Gasket Set	GT86	1

TRK-127		
Position	Part Number	Qty
Input Shaft Brg.	HM88649-HM88610	1
Input Shaft Pilot Brg.	Q15902-F	1
Output Shaft Brg.	1308L	1
Countershaft Front Brg.	M24161X1	1
Countershaft Rear Brg.	B3216	1
Countershaft Rear Thrus Brg.	NTA2031	1
Synchro Hub Thrust Brg.(3rd & 4th Gears)	FA35688	1
Rev. Idler Gear Brg.	C407Q •	1
Input Shaft Seal	470380 (1.500x2.375)	1
Input Shaft Seal	482163N (1.375x1.983)	1
Input Shaft Seal	450140N (1.250x1.752) •	1
Input Shaft Seal	470898 (2.125x2.875)	1
Output Shaft Seal	471271 (2.500x3.251)	1
Output Shaft Seal	473243 (2.125x3.251) •	1
Remote Control Seal	350679 (.750x1.250) •	1
Gasket Set	GT127	1

TRK-127F		
Position	Part Number	Qty
Input Shaft Brg.	HM88649-HM88610	1
Input Shaft Pilot Brg.	Q15902-F	1
Output Shaft Brg.	1308L	1
Countershaft Front Brg.	M24161X1	1
Countershaft Rear Brg.	B3216	1
Countershaft Rear Thrus Brg.	NTA2031	1
Synchro Hub Thrust Brg.(3rd & 4th Gears)	FA35688	1
Input Shaft Seal	482163N (1.375x1.983)	1
Output Shaft Seal	471271 (2.500x3.251)	1
Gasket Set	GT127	1

¹⁵Two Cones and One Cup
²⁶Early Models use BR717

¹⁶Some Models will use S456Q Loose Needles instead of F53542 or F53543 Caged Needles. S456Q not packed
• Not Packed In Kit

Heavy Duty Transmission Rebuild Kits

TRK-127G		
Position	Part Number	Qty
Input Shaft Brg.	1308L	1
Input Shaft Pilot Brg.	Q15902-F	1
Output Shaft Brg.	1308L	1
Countershaft Front Brg.	M24161X1	1
Countershaft Rear Brg.	B3216	1
Countershaft Rear Thrus Brg.	NTA2031	1
Synchro Hub Thrust Brg.(3rd & 4th Gears)	FA35688	1
Output Shaft Seal	471271 (2.500x3.251)	1
Input Shaft Seal	470380 (1.500x2.375)	1
Input Shaft Seal	470898 (2.125x2.875)	1
Gasket Set	GT127	1

TRK-130		
Position	Part Number	Qty
Input Shaft Brg.	MSN1314GELR	1
Input Shaft Pilot Brg.	MU7308L	1
Mainshaft Front Brg.	WSN61219EV	1
Mainshaft Rear Brg.	MR1308TV	1
Output Shaft Brg.	1412L	1
Countershaft Front Brg.	25590-25520	2
Countershaft Rear Brg.	MR1311GTAVR	2
Rev. Idler Gear Brg.	J402480	2
1st Gear Brg.	F53541	1
2nd Gear Brg.	F53540	1
3rd Gear Brg.	F53540	1
Aux. Countershaft Front Brg.	MSN1311GELR	1
Aux. Countershaft Rear Brg.	MR1311EAHL	1
Aux. 1st Gear Brg.	F53543 ¹⁶	1
Aux. 2nd Gear Brg.	F53543 ¹⁶	1
Aux. 3rd Gear Brg.	F53542 ¹⁶	1
Input Shaft Seal	456744N (3.625x4.375)	1
Output Shaft Seal	415281N (3.000x3.751)	1
Output Shaft Seal	415013N (3.000x4.003)	1
Output Shaft Seal	415147 (24989)	1
Remote Control Seal	471267 (.875x1.375) •	2
Gasket Set	GT130	1

TRK-132		
Position	Part Number	Qty
Input Shaft Brg.	213SL	1
Input Shaft Pilot Brg.	R5206SK20	1
Output Shaft Brg.	N310L	1
Countershaft Front Brg.	M32161	1
Countershaft Rear Brg.	1310SL	1
Rev. Idler Gear Brg.	J401652	2
Input Shaft Seal	7412S (1.250x1.750)	1
Output Shaft Seal	450316 (2.250x3.251)	1
Remote Control Seal	6835S (.750x1.250)	1
Gasket Set	GT133	1

TRK-133		
Position	Part Number	Qty
Input Shaft Brg.	213SLV	1
Input Shaft Pilot Brg.	R5206SK20	1
Output Shaft Brg.	1311L	1
Countershaft Front Brg.	M32161	1
Countershaft Rear Brg.	1310SL	1
Rev. Idler Gear Brg.	J401652	2
Input Shaft Seal	450494 (1.750x2.502) •	1
Output Shaft Seal	415483 (2.625x3.500)	1
Output Shaft Seal	475322N (2.750x3.543)	1
Gasket Set	GT133	1

TRK-139		
Position	Part Number	Qty
Input Shaft Brg.	MSN1314GELR	1
Input Shaft Pilot Brg.	MU7308L	1
Output Shaft Brg.	1312L	1
Countershaft Front Brg.	25590-25520	2
Countershaft Rear Brg.	MR1311GTAVR	1
Rev. Idler Gear Brg.	J402480	2
1st Gear Brg.	F53541	1
2nd Gear Brg.	F53540	1
3rd Gear Brg.	F53540	1
Input Shaft Seal	456744N (3.625x4.375)	1
Output Shaft Seal	415013N (3.000x4.003)	1
Remote Control Seal	350567 (.875x1.375) •	2
Gasket Set	GT141	1

TRK-140		
Position	Part Number	Qty
Input Shaft Brg.	MSN1314GELR	1
Input Shaft Pilot Brg.	MU7308L	1
Output Shaft Front Brg.	MU1312UM	1
Output Shaft Rear Brg.	MSNB1312GELR	1
Countershaft Front Brg.	25590-25520	2
Countershaft Rear Brg.	MR1312GEALR	1
Rev. Idler Gear Brg.	J402480	2
1st Gear Brg.	F53539	1
2nd Gear Brg.	F53539	1
3rd Gear Brg.	F53540	1
4th Gear Brg.	F53540	1
Input Shaft Seal	456744N (3.625x4.375)	1
Output Shaft Seal	415013N (3.000x4.003)	1
Remote Control Seal	350567 (.875x1.375)	2
Gasket Set	GT141	1

TRK-141		
Position	Part Number	Qty
Input Shaft Brg.	MSN1314GELR	1
Input Shaft Pilot Brg.	MU7308L	1
Output Shaft Front Brg.	MU1312UM	1
Output Shaft Rear Brg.	MSNB1312GELR	1
Countershaft Front Brg.	25590-25520	2
Countershaft Rear Brg.	MR1311GTAVR	1
Rev. Idler Gear Brg.	J402480	2
1st Gear Brg.	F53541	1
2nd Gear Brg.	F53540	1
3rd Gear Brg.	F53540	1
Input Shaft Seal	456744N (3.625x4.375)	1
Output Shaft Seal	415013N (3.000x4.003)	1
Remote Control Seal	350567 (.875x1.375) •	2
Gasket Set	GT141	1

TRK-145		
Position	Part Number	Qty
Input Shaft Brg.	209SLV	1
Input Shaft Pilot Bushing	BS61	1
Aux. Drive Gear Brg.	117L	1
Aux. Mainshaft Front Brg.	MU1307V	1
Aux. Mainshaft Rear Brg	1212L	1
Countershaft Front Brg.	MU1207UGV	2
Countershaft Rear Brg.	MU1306UGV	2
Aux. Countershaft Front Brg.	M1305GGTV	2
Aux. Countershaft Rear Brg.	MU1308TVWS	2
Rev. Idler Gear Brg.	WJ162116	2
Input Shaft Seal	452554N (1.500x1.983)	1
Output Shaft Seal	455088V (3.000x4.499)	1
Aux. Output Shaft Seal	415991N (3.500x4.501)	1
Snap Ring Set	SR145	1

TRK-146		
Position	Part Number	Qty
Input Shaft Brg.	MU1209UGMR	1
Input Shaft Pilot Bushing	BS61	1
Aux. Drive Gear Brg.	117L	1
Aux. Mainshaft Brg.	390A Assy 902A2 (A3071)	1
Countershaft Front Brg.	MU1207UGV	2
Countershaft Rear Brg.	MU1306UGV	2
Aux. Countershaft Front Brg.	MU1306UV	2
Aux. Countershaft Rear Brg.	1310L	2
Rev. Idler Gear Brg.	WJ162116	2
Input Shaft Seal	452554N (1.500x1.983)	1
Output Shaft Seal	455088V (3.000x4.499)	1
Aux. Output Shaft Seal	415983N (3.750x4.499)	1
O-Ring Set	OK1000V	1
Snap Ring Set	SR146	1
Snap Ring	15980	1
Gasket Set	GT146	1

TRK-147		
Position	Part Number	Qty
Input Shaft Brg.	217SLE	1
Input Shaft Pilot Brg.	JH1812	1
Output Shaft Brg.	312LE	1
Countershaft Front Brg.	311L	2
Countershaft Rear Brg.	WR61209EX	2
Rev. Idler Gear Brg.	WJ162116	4
Countershaft Rear Snap Rings	SR348-1	2
Input Shaft Seal	412015V (2.125x3.000)	1
Output Shaft Seal	3893V (3.750x4.750)	1
Remote Control Seal	350567 (.875x1.375) •	2
Gasket Set	GT-147	1

TRK-148		
Position	Part Number	Qty
Input Shaft Brg.	N309L	1
Input Shaft Pilot Brg.	SRA5304	1
Output Shaft Brg.	N309L	1
Countershaft Front Brg.	M28161	1
Countershaft Rear Brg.	N309L	1
Rev. Idler Gear Brg.	F54970	2
Input Shaft Seal	7412S (1.250x1.750) •	1
Input Shaft Seal	472164(1.750x2.502)	1
Output Shaft Seal	471271 (2.500x3.251)	1
Output Shaft Seal	450316 (2.250x3.251)	1
Output Shaft Seal	411143N (2.625x3.251)	1
Remote Control Seal	471267 (.875x1.375) •	1
Gasket Set	GT148	1

HD Transmission

¹⁶Some Models will use S456Q Loose Needles instead of F53542 or F53543 Caged Needles. S456Q not packed
• Not Packed In Kit

Heavy Duty Transmission Rebuild Kits



HD Transmission

TRK-149		
Position	Part Number	Qty
Input Shaft Brg.	212SLV	1
Input Shaft Pilot Bushing	BS59	1
Aux. Drive Gear Brg.	118L	1
Aux. Mainshaft Brg.	29675 Assy 902A8 (A2892)	1
Countershaft Front Brg.	MSN1211REX	2
Countershaft Rear Brg.	MU1308TVWS	2
Aux. Countershaft Front Brg.	MU61307GUM ¹⁸	2
Aux. Countershaft Rear Brg.	1310SLV	2
Rev. Idler Gear Brg.	HJ223020-IR1820OH	2
Aux. Range Shaft Quill Front Brg.	204	1
Aux. Range Shaft Quill Rear Bushing	BS60	1
Input Shaft Nut	CN1 (8997)	1
Output Shaft Seal	415983N (3.750x4.499)	1
Aux. Output Shaft Seal	415991N (3.500x4.501)	1
O-Ring Set	OK1000V	1
O-Ring Set	OK17453	1
Snap Ring Set	SR149	1
Gasket Set	GT200N	1
O-Ring	OR217V	1
O-Ring	OR221V	1

TRK-149/2		
Position	Part Number	Qty
Input Shaft Brg.	212SLV	1
Input Shaft Pilot Bushing	BS59	1
Aux. Drive Gear Brg.	118L	1
Aux. Mainshaft Brg.	29675 Assy 902A8 (A2892)	1
Countershaft Front Brg.	MSN1211REX	2
Countershaft Rear Brg.	MU1308TVWS	2
Aux. Countershaft Front Brg.	MR1307EX ¹⁸	2
Aux. Countershaft Rear Brg.	1310SLV	2
Rev. Idler Gear Brg.	HJ223020-IR1820OH	2
Aux. Range Shaft Quill Front Brg.	204	1
Aux. Range Shaft Quill Rear Bushing	BS60	1
Input Shaft Nut	CN1 (8997)	1
Output Shaft Seal	415983N (3.750x4.499)	1
Aux. Output Shaft Seal	415991N (3.500x4.501)	1
O-Ring Set	OK1000V	1
O-Ring Set	OK17453	1
O-Ring	OR217V	1
O-Ring	OR221V	1
Snap Ring Set	SR149	1
Gasket Set	GT200N	1

TRK-149AUX		
Position	Part Number	Qty
Aux. Mainshaft Brg.	29675 Assy 902A8 (A2892)	1
Aux. Countershaft Front Brg.	MU61307GUM ¹⁸	2
Aux. Countershaft Rear Brg.	1310SLV	2
Aux. Range Shaft Quill Front Brg.	204	1
Aux. Range Shaft Quill Rear Bushing	BS60	1
Aux. Output Shaft Seal	415983N (3.750x4.499)	1
O-Ring Set	OK1000V	1
O-Ring	OR217V	1
O-Ring	OR221V	1
Snap Ring Set	SR1000	1
Gasket Set	GT200N	1

TRK-149AUX/2		
Position	Part Number	Qty
Aux. Mainshaft Brg.	29675 Assy 902A8 (A2892)	1
Aux. Countershaft Front Brg.	MR1307EX ¹⁸	2
Aux. Countershaft Rear Brg.	1310SLV	2
Aux. Range Shaft Quill Front Brg.	204	1
Aux. Range Shaft Quill Rear Bushing	BS60	1
Aux. Output Shaft Seal	415983N (3.750x4.499)	1
O-Ring Set	OK1000V	1
O-Ring	OR217V	1
O-Ring	OR221V	1
Snap Ring Set	SR1000	1
Gasket Set	GT200N	1

TRK-152		
Position	Part Number	Qty
Input Shaft Front Brg.	217SLE	1
Input Shaft Rear Brg.	1911S	1
Input Shaft Pilot Brg.	JH1812	1
Output Shaft Brg.	312LE	1
Countershaft Front Brg.	311L	2
Countershaft Rear Brg.	WR61209EX	2
Rev. Idler Gear Brg.	WJ162116	4
Countershaft Rear Snap Rings	SR348-1	2
Input Shaft Seal	412015V (2.125x3.000)	1
Output Shaft Seal	3893V (3.750x4.750)	1
Gasket Set	GT147	1

TRK-155		
Position	Part Number	Qty
Input Shaft Front Brg.	MR1212EL	1
Input Shaft Rear Brg.	MRB1313EL	1
Input Shaft Pilot Brg.	MR1308TV	1
Output Shaft Brg.	1412L	1
Countershaft Front Brg.	MR1311EAHL	1
Countershaft Rear Brg.	MR1311EAHL	1
Mainshaft 1st Gear Brg.	F53543	1
Mainshaft 2nd Gear Brg.	F53543	1
Mainshaft 3rd Gear Brg.	F53542	1
Input Shaft Seal	415281N (3.000x3.751)	1
Output Shaft Seal	415281N (3.000x3.751)	1
Shift Shaft Seal	350567 (.875x1.375) •	4
Shift Shaft Seal	450680 (.875x1.499) •	2
Gasket Set	GT155	1

TRK-156		
Position	Part Number	Qty
Input Shaft Brg.	212ASLB	1
Input Shaft Pilot Brg.	J362048	1
Input Shaft Pilot Brg. (T-495/T-496 Models)	WJ182420	1
Output Shaft Brg.	309L	1
Countershaft Front Brg.	M1207EL	1
Countershaft Rear Brg.	1308SL	1
Rev. Idler Gear Brg.	J361652	2
Input Shaft Seal	471413 (1.250x1.752)	1
Input Shaft Seal	452554N (1.500x1.983)	1
Output Shaft Seal	411143N (2.625x3.251)	1
Remote Control Seal	6835S (.750x1.250)	1
Shift Shaft Seal	240735 (.750x1.000)	1
Gasket Set	GT156	1

TRK-157A		
Position	Part Number	Qty
Input Shaft Brg.	N1211L	1
Input Shaft Pilot Brg.	QAR34604	1
Output Shaft Brg.	1308L	1
Countershaft Front Brg. (1978 & Earlier)	M1305GGTV	1
Countershaft Front Brg. (1979 & Later)	R1563TAV	1
Countershaft Rear Brg.	1308L	1
Input Shaft Seal	481181N (1.625x2.125)	1
Output Shaft Seal	410085N (2.000x2.996)	1
Gasket Set	GT157	1

TRK-157AWS		
Position	Part Number	Qty
Input Shaft Brg.	N1211L	1
Input Shaft Pilot Brg.	QAR34604	1
Output Shaft Brg.	1308L	1
Countershaft Front Brg. (1978 & Earlier)	M1305GGTV	1
Countershaft Front Brg. (1979 & Later)	R1563TAV	1
Countershaft Rear Brg.	1308L	1
Input Shaft Seal	481181N (1.625x2.125)	1
Output Shaft Seal	410085N (2.000x2.996)	1
Gasket Set	GT157	1
2nd Gear Synchro Ring	ZSY1001	1
3rd Gear Synchro Ring	ZSY1000	1
4th Gear Synchro Ring	ZSY1000	1

TRK-157B		
Position	Part Number	Qty
Input Shaft Brg.	211FFLE	1
Input Shaft Pilot Brg.	QAR34604	1
Output Shaft Brg.	1308L	1
Countershaft Front Brg. (1979 & Later)	R1563TAV	1
Countershaft Rear Brg.	1308L	1
Input Shaft Seal	481181N (1.625x2.125)	1
Output Shaft Seal	410085N (2.000x2.996)	1
Gasket Set	GT157	1

TRK-157BWS		
Position	Part Number	Qty
Input Shaft Brg.	211FFLE	1
Input Shaft Pilot Brg.	QAR34604	1
Output Shaft Brg.	1308L	1
Countershaft Front Brg.	R1563TAV	1
Countershaft Rear Brg.	1308L	1
Input Shaft Seal	481181N (1.625x2.125)	1
Output Shaft Seal	410085N (2.000x2.996)	1
Gasket Set	GT157	1
2nd Gear Synchro Ring	ZSY1001	1
3rd Gear Synchro Ring	ZSY1000	1
4th Gear Synchro Ring	ZSY1000	1

TRK-157L		
Position	Part Number	Qty
Input Shaft Brg.	N1211L	1
Input Shaft Pilot Brg.	QAR34604	1
Output Shaft Brg.	1308L	1
Countershaft Front Brg. (1979 & Later)	R1563TAV	1
Countershaft Rear Brg.	1308L	1
Input Shaft Seal	481181N (1.625x2.125)	1
Output Shaft Seal	410085N (2.000x2.996)	1
Gasket Set	GT157	1

Heavy Duty Transmission Rebuild Kits

TRK-157LWS		
Position	Part Number	Qty
Input Shaft Brg.	N1211L	1
Input Shaft Pilot Brg.	QAR34604	1
Output Shaft Brg.	1308L	1
Countershaft Front Brg.	R1563TAV	1
Countershaft Rear Brg.	1308L	1
Input Shaft Seal	481181N (1.625x2.125)	1
Output Shaft Seal	410085N (2.000x2.996)	1
Gasket Set	GT157	1
2nd Gear Synchro Ring	ZSY1001	1
3rd Gear Synchro Ring	ZSY1000	1
4th Gear Synchro Ring	ZSY1000	1

TRK-158		
Position	Part Number	Qty
Input Shaft Front Brg.	212	1
Input Shaft Rear Brg.	MR1213EL	1
Input Shaft Pilot Brg.	JH1812	1
Output Shaft Brg.	214LH	1
Countershaft Front Brg.	MU1311UGMR	2
Countershaft Rear Brg.	MR1309EAL	2
Input Shaft Seal	415281N (3.000x3.751)	1
Output Shaft Seal	415035 (4.000x4.999)	1
Shift Rail Seal	471570 (.875x1.499)	2
Gasket Set	GT158	1

TRK-159		
Position	Part Number	Qty
Input Shaft Brg.	212SLV	1
Input Shaft Pilot Bushing	BS59	1
Aux. Drive Gear Brg.	118L	1
Aux. Mainshaft Brg.	29675 Assy 902A8 (A2892)	1
Countershaft Front Brg.	MSN1211REX	2
Countershaft Rear Brg.	MU1308TVWS	2
Aux. Countershaft Front Brg.	MR1307EL ¹⁸	2
Aux. Countershaft Rear Brg.	5310WL	2
Rev. Idler Gear Brg.	HJ223020-IR1820OH	2
Range Shaft Quill Front Brg.	204	1
Range Shaft Quill Rear Bushing	BS60	1
Input Shaft Nut	CN1 (8997)	1
Output Shaft Seal	415983N (3.750x4.499)	1
Aux. Mainshaft Rear Seal	415991N (3.500x4.501) •	1
O-Ring Set	OK1000V	1
Snap Ring Set	SR159	1
Gasket Set	GT200N	1

TRK-159A		
Position	Part Number	Qty
Input Shaft Brg.	212SLV	1
Input Shaft Pilot Bushing	BS59 •	1
Aux. Drive Gear Brg.	118L	1
Aux. Mainshaft Brg.	29675 Assy 902A8 (A2892)	1
Countershaft Front Brg.	BS500192SX	2
Countershaft Rear Brg.	MU1308TVWS	2
Rev. Idler Gear Brg.	HJ223020-IR1820OH	2
Aux. Countershaft Brg.	MR1307EL	2
Aux. Countershaft Rear Brg.	5310WL	2
Range Shaft Quill Front Brg.	204	1
Range Shaft Quill Rear Bushing	BS60	1
Input Shaft Nut	CN1 (8997)	1
Output Shaft Seal	415983N (3.750x4.499)	1
Aux. Mainshaft Rear Seal	415991N (3.500x4.501) •	1
O-Ring Set	OK1000V	1
Snap Ring Set	SR159	1
Gasket Set	GT200N	1

TRK-160		
Position	Part Number	Qty
Input Shaft Brg.	212SLV	1
Input Shaft Pilot Bushing	BS59 •	1
Aux. Drive Gear Brg.	118L	1
Aux. Mainshaft Brg.	29675 Assy 902A8 (A2892)	1
Countershaft Front Brg.	MSN1211REX	2
Countershaft Rear Brg.	MU1308TVWS	2
Rev. Idler Gear Brg.	HJ223020-IR1820OH	2
Aux. Countershaft Front Brg.	MR1307EL ¹⁸	2
Aux. Countershaft Rear Brg.	1311L	2
Input Shaft Nut	CN1 (8997)	1
Aux. Output Shaft Seal	415991N (3.500x4.501)	1
Output Shaft Seal	415983N (3.750x4.499)	1
O-Ring Set	OK1000V	1
Snap Ring Set	SR160	1
Gasket Set	GT200N	1

TRK-174		
Position	Part Number	Qty
Input Shaft Brg.	HM88649-HM88610	1
Input Shaft Pilot Brg.	QBR42536	1
Output Shaft Brg.	25581-25520	1
Countershaft Front Brg.	M24161X1	1
Countershaft Rear Brg.	B3216	1
Rev. Idler Gear Brg.	Q8324	1
Rev. Idler Thrust Brg.	FA35688	1
Input Shaft Seal	471413 (1.250x1.752)	1
Output Shaft Seal	470898 (2.125x2.875)	1
Output Shaft Seal	473243 (2.125x3.251)	1
Gasket Set	GT172	1

TRK-177		
Position	Part Number	Qty
Input Shaft Brg.	1213SL	1
Input Shaft Pilot Brg.	QBR35171	1
Output Shaft Brg.	1310L1	1
Countershaft Front Brg.	M28161	1
Countershaft Rear Brg.	MU1209UBM	1
Rev. Idler Gear Brg.	Q8321	4
Input Shaft Seal	481181N (1.625x2.125)	1
Output Shaft Seal	450329 (2.625x3.350)	1
Sealer	RTV Silicone	1

TRK-180		
Position	Part Number	Qty
Input Shaft Brg.	JM511946-JM511910	1
Input Shaft Pilot Brg.	2580	1
Output Shaft Brg.	JM511946-JM511910	1
Countershaft Front Brg.	25584-25520	1
Countershaft Rear Brg.	25584-25520	1
Rev. Idler Gear Brg.	WJ162116	2
Mainshaft 1st Gear Brg.	F81205	1
Mainshaft 2nd Gear Brg.	C437Q	1
Mainshaft Rev. Gear Brg.	F81205	1
Input Shaft Seal	452742 (1.781x2.502)	1
Output Shaft Seal	471271 (2.500x3.251)	1
Output Shaft Seal	415004 (2.750x3.751)	1
Output Shaft Seal	475322N (2.750x3.543) •	1
Remote Control Seal	350567 (.875x1.375) •	2
Gasket Set	GT180	1

TRK-181		
Position	Part Number	Qty
Input Shaft Brg.	217SLE	1
Input Shaft Pilot Brg.	JH1812	1
Output Shaft Brg.	312L	1
Countershaft Front Brg.	311L	2
Countershaft Rear Brg.	WR61209EX	2
Rev. Idler Gear Brg.	WJ162116	4
Output Shaft Rear Brg.	214L	1
Countershaft Rear Snap Rings	SR348-1	2
Input Shaft Seal	412015V (2.125x3.000)	1
Output Shaft Seal	3893V (3.750x4.750)	1
Gasket Set	GT181	1

TRK-183		
Position	Part Number	Qty
Input Shaft Brg.	212ASLB	1
Input Shaft Pilot Brg.	WJ182420	1
Output Shaft Brg.	309L	1
Countershaft Front Brg.	M1207EL	1
Countershaft Rear Brg.	1308SL	1
Rev. Idler Gear Brg.	J361652	4
1st Gear Brg.	Q8308	1
2nd Gear Brg.	Q8371	1
Rev. Gear Brg.	Q8308	1
1st Gear Thrust Brg.	RA53421 •	1
Rev. Gear Thrust Brg.	RA53422 •	1
Thrust Brg. Spacer	JB53851	1
Input Shaft Seal	471413 (1.250x1.752)	1
Input Shaft Seal	452554N (1.500x1.983)	1
Output Shaft Seal	411143N (2.625x3.251)	1
Gasket Set	GT156	1

TRK-184		
Position	Part Number	Qty
Input Shaft Brg.	212SLV	1
Input Shaft Pilot Bushing	BS59 •	1
Aux. Drive Gear Brg.	117L	1
Aux. Mainshaft Brg.	29675 Assy 902A8 (A2892)	1
Countershaft Front Brg.	MSN1211REX	2
Rev. Idler Gear Brg.	HJ223020-IR1820OH	2
Countershaft Rear Brg.	MU1308TVWS	2
Aux. Countershaft Front Brg.	MR1307EL	2
Aux. Countershaft Rear Brg.	5310WL	2
Range Shaft Quill Front Brg.	204	1
Range Shaft Quill Rear Bushing	BS60	1
Input Shaft Nut	CN1 (8997)	1
Output Shaft Seal	415983N (3.750x4.499)	1
O-Ring Set	OK1000V	1
Snap Ring Set	SR184	1
Gasket Set	GT200N	1

TRK-185		
Position	Part Number	Qty
Input Shaft Brg.	214L	1
Input Shaft Pilot Brg.	MA1205EL	1
Output Shaft Brg.	214L	1
Countershaft Front Brg.	308L	3
Countershaft Rear Brg.	MA1209EL	3
Rear Countershaft Rear Brg.	1208L ¹⁹	2
Rev. Idler Gear Brg.	J361648	3
Shift Rail Brg.	SCE2014P	3
Input Shaft Seal	2822V (2.062x3.000)	1
Output Shaft Seal	415991N (3.500x4.501)	1
Clutch Release Seal	343186 (1.250x1.500)	1
Shift Rail Seal	7750 (.750x1.124)	2
O-Ring	OK6561	1
Snap Ring Set	SR185	1
Gasket Set	GT213	1

HD Transmission

¹⁸Models before 1973; use MR5208EL. ¹⁹Model TRL1078 requires 1 additional 1208L not packed in kit
• Not Packed In Kit

Heavy Duty Transmission Rebuild Kits



HD Transmission

TRK-186		
Position	Part Number	Qty
Input Shaft Brg.	JM511946-JM511910	1
Input Shaft Pilot Brg.	25877-25821	1
Output Shaft Brg.	3979-JM511910	1
Countershaft Front Brg.	M804049-M804010	1
Countershaft Rear Brg.	JLM506849-JLM506810	1
Rev. Idler Gear Brg.	WJ162116	2
Mainshaft 1st & Rev. Gear Brg.	F56619	2
Input Shaft Seal	452742 (1.781x2.502)	1
Output Shaft Seal	415004 (2.750x3.751)	1
Output Shaft Seal	475322N (2.750x3.543) •	1
Gasket Set	GT186	1

TRK-187		
Position	Part Number	Qty
Input Shaft Brg.	214SL	1
Input Shaft Pilot Brg.	7205TA	1
Output Shaft Pilot Brg.	IR2016-B2416	1
Output Shaft Front Brg.	214L	1
Output Shaft Rear Brg.	MA1213EL	1
Countershaft Front Brg.	308L	3
Countershaft Rear Brg.	MAR5209-M5209EL	3
Rear Countershaft Front Brg.	MAR5209-M1209EL	3
Rear Countershaft Rear Brg.	1208L	3
Rev. Idler Gear Brg.	J361648	3
Shift Rail Brg.	SCE2014P	3
Input Shaft Seal	415027N (3.500x4.999)	1
Output Shaft Seal	2822V (2.062x3.000)	1
Clutch Release Seal	343186 (1.250x1.500)	1
Shift Rail Seal	7750 (.750x1.124)	2
O-Ring	OK6561	1
Snap Ring Set	SR187	1
Gasket Set	GT213	1

TRK-188		
Position	Part Number	Qty
Input Shaft Brg.	212SLV	1
Input Shaft Pilot Bushing	BS59 •	1
Aux. Drive Gear Brg.	117L	1
Aux. Mainshaft Brg.	29675 Assy 902A8 (A2892)	1
Countershaft Front Brg.	MSN1211REX	2
Countershaft Rear Brg.	MU1308TVWS	2
Rev. Idler Gear Brg.	HJ223020-IR1820OH	2
Aux. Countershaft Front Brg.	MR1307EL	2
Aux. Countershaft Rear Brg.	1311L	2
Input Shaft Nut	CN1 (8997)	1
Output Shaft Seal	415983N (3.750x4.499)	1
O-Ring Set	OK1000V	1
Snap Ring Set	SR188	1
Gasket Set	GT200N	1

TRK-189		
Position	Part Number	Qty
Input Shaft Brg.	217SLE	1
Input Shaft Pilot Brg.	JH1812	1
Mainshaft Rear Brg.	312L	1
Aux. Mainshaft Pilot Brg.	1911S	1
Aux. Mainshaft Rear Brg.	214L	1
Countershaft Front Brg.	MSN1311GELR	2
Countershaft Rear Brg.	WR61209EX	2
Rev. Idler Gear Brg.	WJ162116	4
Output Shaft Brg.	MU1207UGV	1
Aux. Countershaft Front Brg.	JLM104948-JLM104910	2
Aux. Countershaft Rear Brg.	JLM104948-JLM104910	2
Input Shaft Seal	415013N (3.000x4.003)	1
Input Shaft Seal	412015V (2.125x3.000)	1
Output Shaft Seal	3893V (3.750x4.750)	1
Countershaft Rear Snap Rings	SR348-1	2
Gasket Set	GT189	1

TRK-190		
Position	Part Number	Qty
Input Shaft Brg.	M802048-M802011	1
Input Shaft Pilot Brg.	QBR49845	1
Output Shaft Brg.	25584-25547RB	1
Countershaft Front Brg.	M28161	1
Countershaft Rear Brg.	MU1309SGNV	1
Rev. Idler Gear Brg.	J361644 ²⁰	2
4th & 5th Shift Hub Brg.	FA35688	1
4th & 5th Shift Hub Race	TR235383	1
Input Shaft Seal	473010N (1.625x2.502)	1
Output Shaft Seal	471271 (2.500x3.251)	1
Output Shaft Seal	475322N (2.750x3.543)	1
Gasket Set	GT148	1

TRK-191		
Position	Part Number	Qty
Input Shaft Brg.	MR1211GEL	1
Input Shaft Pilot Brg.	MR1205EL	1
Mainshaft Rear Brg.	214L	1
Aux. Mainshaft Pilot Brg.	MU1207TV	1
Aux. Mainshaft Rear Brg.	214L	1
Countershaft Front Brg.	1311L	2
Countershaft Rear Brg.	WR61209EX	2
Rev. Idler Gear Brg.	WJ162116	4
Aux. Countershaft Front Brg.	JLM104948-JLM104910	2
Aux. Countershaft Rear Brg.	JLM506849-JLM506810	2
Input Shaft Seal	412015V (2.125x3.000)	1
Output Shaft Seal	3893V (3.750x4.750)	1
Countershaft Rear Snap Rings	SR348-1	2
Gasket Set	GT191	1

TRK-192		
Position	Part Number	Qty
Input Shaft Brg.	MR1211GEL	1
Input Shaft Pilot Brg.	MR1205EL	1
Output Shaft Brg.	214L	1
Countershaft Front Brg.	1311L	2
Countershaft Rear Brg.	WR61209EX	2
Countershaft Rear Brg.	MU1209TM • (GMC Models)	2
Rev. Idler Gear Brg.	WJ162116	4
Input Shaft Seal	412015V (2.125x3.000)	1
Input Shaft Seal	473010N (1.625x2.502)	1
Mainshaft Rear Seal	3893V (3.750x4.750)	1
Countershaft Rear Snap Rings	SR348-1	2
Gasket Set	GT192	1

TRK-193		
Position	Part Number	Qty
Input Shaft Brg.	217SLE ²¹	1
Input Shaft Pilot Brg.	JH1812	1
Output Shaft Brg.	214LH	1
Countershaft Front Brg.	1311L	2
Countershaft Rear Brg.	WR61209EX	2
Countershaft Rear Brg.	MU1209TM • (GMC Models)	2
Rev. Idler Gear Brg.	WJ162116	4
Input Shaft Seal	412015V (2.125x3.000)	1
Mainshaft Rear Seal	455379V (3.750x4.751)	1
Countershaft Rear Snap Rings	SR348-1	2
Gasket Set	GT193	1

TRK-194		
Position	Part Number	Qty
Input Shaft Brg.	MR1211GEL	1
Input Shaft Pilot Brg.	JH1812	1
Mainshaft Rear Brg.	214L	1
Aux. Mainshaft Pilot Brg.	MU1207UGV	1
Aux. Mainshaft Rear Brg.	214L	1
Countershaft Front Brg.	MU1311UGMR	2
Countershaft Rear Brg.	WR61209EX	2
Countershaft Rear Brg.	MU1209TM • (GMC Models)	2
Rev. Idler Gear Brg.	WJ162116	4
Aux. Countershaft Front Brg.	JLM104948-JLM104910	2
Aux. Countershaft Rear Brg.	JLM506849-JLM506810	2
Input Shaft Seal	412015V (2.125x3.000)	1
Output Shaft Seal	3893V (3.750x4.750)	1
Countershaft Rear Snap Rings	SR348-1	2
Gasket Set	GT191	1

TRK-201		
Position	Part Number	Qty
Input Shaft Brg.	212SLV	1
Input Shaft Pilot Bushing	BS59	1
Aux. Drive Gear Brg.	118L	1
Aux. Mainshaft Brg.	29675 Assy 902A8 (A2892)	1
Countershaft Front Brg.	BS500192SX	2
Countershaft Rear Brg.	MU1308TVWS	2
Rev. Idler Gear Brg.	HJ223020-IR1820OH	2
Aux. Countershaft Front Brg.	MR1307EL	2
Aux. Countershaft Rear Brg.	1311L	2
Input Shaft Nut	CN1 (8997)	1
Output Shaft Seal	415983N (3.750x4.499)	1
O-Ring Set	OK1000V	1
O-Ring Set	OK17453	1
Snap Ring Set	SR201	1
Gasket Set	GT200N	1

²⁰Some Late GMC may use F54970
• Not Packed In Kit

²¹For 1986 & Later Models; use MR1211GEL (Not packed in kit)

Heavy Duty Transmission Rebuild Kits



TRK-203			TRK-206/2			TRK-208D		
Position	Part Number	Qty	Position	Part Number	Qty	Position	Part Number	Qty
Input Shaft Brg.	212SLV	1	Input Shaft Brg.	212SLV	1	Input Shaft Brg.	M804049-M804010	1
Input Shaft Pilot Bushing	BS59	1	Input Shaft Pilot Bushing	BS59	1	Input Shaft Pilot Brg.	QBR49845	1
Aux. Drive Gear Brg.	118L	1	Aux. Drive Gear Brg.	118L	1	Output Shaft Brg.	25581-25520	1
Aux. Mainshaft Brg.	390A Assy 902A2 (A3071)	1	Aux. Mainshaft Brg.	29675 Assy 902A8 (A2892)	1	Countershaft Front Brg.	25877-25821	1
Countershaft Front Brg.	BS500192SX	2	Countershaft Front Brg.	BS500192SX	2	Countershaft Rear Brg.	2689-2631	1
Countershaft Rear Brg.	MU1308TVWS	2	Countershaft Rear Brg.	MU1308TVWS	2	4th & 5th Shift Hub Brg.	FA35688	1
Countershaft Rear Brg.	MR1308TV ²²	2	Rev. Idler Gear Brg.	HJ223020-IR1820OH	2	4th & 5th Shift Hub Race	TR235383	1
Rev. Idler Gear Brg.	HJ223020-IR1820OH	2	Aux. Countershaft Front Brg.	MR1307EX	2	Mainshaft 1st & 2nd Gear Brg.	F94490	2
Aux. Countershaft Front Brg.	MR1307EL	2	Aux. Countershaft Rear Brg.	1310SLV	2	Mainshaft 3rd & Rev. Gear Brg.	F84003	2
Aux. Countershaft Rear Brg.	1310L	2	Range Shaft Quill Front Brg.	204	1	Mainshaft 4th Gear Brg.	F94488	1
Range Shaft Quill Front Brg.	204	1	Range Shaft Quill Rear Brg.	BS60	1	Rev. Idler Gear Brg.	QA48181A	1
Range Shaft Quill Rear Bushing	BS60	1	Input Shaft Nut	CN1 (8997)	1	Input Shaft Seal	710211 (1.875x2.677)	1
Input Shaft Nut	CN1 (8997)	1	Aux. Mainshaft Rear Seal	415983N (3.750x4.499)	1	Output Shaft Seal	712512 (2.250x3.252)	1
Aux. Mainshaft Rear Seal	415983N (3.750x4.499)	1	O-Ring Set	OK1000V	1	Gasket Set	GT208	1
O-Ring Set	OK1000V	1	O-Ring Set	OK17453	1	TRK-210		
O-Ring Set	OK17453	1	O-Ring	OR217V	1	Position	Part Number	Qty
Snap Ring Set	SR159	1	O-Ring	OR221V	1	Input Shaft Brg.	7211HL	1
Gasket Set	GT200N	1	Snap Ring Set	SR159	1	Input Shaft Pilot Brg.	SCE2420	1
TRK-205			TRK-207			Output Shaft Brg.	7211HL	1
Position	Part Number	Qty	Position	Part Number	Qty	Countershaft Front Brg.	LM48548-LM48510	1
Input Shaft Brg.	212SLV	1	Input Shaft Brg.	212SLV	1	Countershaft Rear Brg.	LM102949-LM102910	1
Input Shaft Pilot Bushing	BS59	1	Input Shaft Pilot Bushing	BS59	1	Mainshaft 1st and Rev. Gear Brg.	F93290	2
Aux. Drive Gear Brg.	118L	1	Aux. Drive Gear Brg.	118L	1	Mainshaft 2nd Gear Brg.	F95407	1
Aux. Mainshaft Brg.	29675 Assy 902A8 (A2892)	1	Aux. Mainshaft Brg.	29675 Assy 902A8 (A2892)	1	Rev. Idler Gear Brg.	WJ162116	2
Countershaft Front Brg.	BS500192SX	2	Countershaft Front Brg.	BS500192SX	2	Drive Gear Seal	330749V (1.562x2.062)	1
Countershaft Rear Brg.	MU1308TVWS	2	Countershaft Rear Brg.	MU1308TVWS	2	Drive Gear Seal	5133 (1.812x2.562)	1
Rev. Idler Gear Brg.	HJ223020-IR1820OH	2	Rev. Idler Gear Brg.	HJ223020-IR1820OH	2	Output Shaft Seal	415322V (2.750x3.543)	1
Aux. Countershaft Front Brg.	MR1307EL	2	Aux. Countershaft Front Brg.	MR1307EL	2	Gasket Set	GT210	1
Aux. Countershaft Rear Brg.	1311L	2	Aux. Countershaft Rear Brg.	5310WLB	2	TRK-213		
Input Shaft Nut	CN1 (8997)	1	Range Shaft Quill Front Brg.	204	1	Position	Part Number	Qty
Aux. Mainshaft Rear Seal	415983N (3.750x4.499)	1	Range Shaft Quill Rear Bushing	BS60	1	Input Shaft Brg.	214SL	1
O-Ring Set	OK1000V	1	Input Shaft Nut	CN1 (8997)	1	Input Shaft Pilot Brg.	MA1205EL	1
O-Ring Set	OK17453	1	Aux. Mainshaft Rear Seal	415983N (3.750x4.499)	1	Main Drive Gear Brg.	214L	1
Snap Ring Set	SR160	1	O-Ring Set	OK1000V	1	Main Drive Gear Pilot Brg.	7205TA	1
Gasket Set	GT200N	1	O-Ring Set	OK17453	1	Output Shaft Pilot Brg.	IR2016-B2416	1
TRK-206			TRK-208			Output Shaft Front Brg.	214L	1
Position	Part Number	Qty	Position	Part Number	Qty	Output Shaft Rear Brg.	MA1213EL	1
Input Shaft Brg.	212SLV	1	Input Shaft Brg.	M802048-M802011	1	Compound Case	308L	3
Input Shaft Pilot Bushing	BS59	1	Input Shaft Pilot Brg.	QBR49845	1	Countershaft Front Brg.	Compound Case 206	3
Aux. Drive Gear Brg.	118L	1	Output Shaft Brg.	25581-25520	1	Countershaft Rear Brg.	Countershaft Rear Brg.	
Aux. Mainshaft Brg.	29675 Assy 902A8 (A2892)	1	Countershaft Front Brg.	25877-25821	1	Countershaft Front Brg.	308LH	3
Countershaft Front Brg.	BS500192SX	2	Countershaft Rear Brg.	2689-2631	1	Countershaft Rear Brg.	MAR5209-M5209EL	3
Countershaft Rear Brg.	MU1308TVWS	2	Rev. Idler Gear Brg.	QA48181A	1	Rear Countershaft Front Brg.	MAR5209-M1209EL	3
Rev. Idler Gear Brg.	HJ223020-IR1820OH	2	Mainshaft 1st & 2nd Gear Brg.	F94490	2	Rear Countershaft Rear Brg.	1208L	3
Aux. Countershaft Front Brg.	MU61307GUM	2	Mainshaft 3rd & Rev. Gear Brg.	F84003	2	Rev. Idler Gear Brg.	J361648	3
Aux. Countershaft Rear Brg.	1310SLV	2	Mainshaft 4th Gear Brg.	F94488	1	Shift Rail Brg.	SCE2014P	2
Range Shaft Quill Front Brg.	204	1	4th & 5th Shift Hub Brg.	FA35688	1	Input Shaft Seal	2822V (2.062x3.000)	1
Range Shaft Quill Rear Bushing	BS60	1	4th & 5th Shift Hub Race	TR235383	1	Output Shaft Seal	415027N (3.500x4.999)	1
Input Shaft Nut	CN1 (8997)	1	Input Shaft Seal	473010N (1.625x2.502)	1	Clutch Release Shaft Seal	343186 (1.250x1.500)	1
Aux. Mainshaft Rear Seal	415983N (3.750x4.499)	1	Output Shaft Seal	471271 (2.500x3.251)	1	Shift Rail Seal	7750 (.750x1.124)	1
O-Ring Set	OK1000V	1	Output Shaft Seal	712512 (2.250x3.252)	1	O-Ring Set	OK213	1
O-Ring Set	OK17453	1	Gasket Set	GT208	1	Snap Ring Set	SR213	1
O-Ring	OR217V	1				Gasket Set	GT213	1
O-Ring	OR221V	1						
Snap Ring Set	SR159	1						
Gasket Set	GT200N	1						

HD Transmission

²²For RT-11613 Series only Use (2) pieces MR1308TV (Not packed in kit)

Heavy Duty Transmission Rebuild Kits



HD Transmission

TRK-213SD

Position	Part Number	Qty
Input Shaft Brg.	214SL	1
Input Shaft Pilot Brg.	MA1205EL	1
Main Drive Gear Brg.	214L	1
Main Drive Gear Pilot Brg.	7205TA	1
Output Shaft Pilot Brg.	IR2016-B2416	1
Output Shaft Front Brg.	214L	1
Output Shaft Rear Brg.	MA1213EL	1
Compound Case	MU1308RUMW3	3
Countershaft Front Brg.	206	3
Compound Case	206	3
Countershaft Rear Brg.	MU1308RUMW789	3
Countershaft Rear Brg.	MAR5209-M5209EL	3
Rear Countershaft Front Brg.	MAR5209-M1209EL	3
Rear Countershaft Rear Brg.	MU1208RUMW3	3
Rev. Idler Gear Brg.	J361648	3
Shift Rail Brg.	SCE2014P	2
Input Shaft Seal	2822V (2.062x3.000)	1
Output Shaft Seal	415027N (3.500x4.999)	1
Clutch Release Shaft Seal	343186 (1.250x1.500)	1
Shift Rail Seal	7750 (.750x1.124)	1
O-Ring Set	OK213	1
Snap Ring Set	SR213	1
Gasket Set	GT213	1

TRK-214

Position	Part Number	Qty
Input Shaft Brg.	214S	1
Input Shaft Pilot Brg.	MA1205EL	1
Output Shaft Pilot Brg.	IR1816-SCH2216	1
Output Shaft Front Brg.	118L	1
Output Shaft Rear Brg.	83B043C3	1
Countershaft Front Brg.	JLM104948-JLM104910	3
Countershaft Rear Brg.	LM501349-LM501310	3
Rear Countershaft Front Brg.	LM501349-LM501310	3
Rear Countershaft Rear Brg.	3780-3720	3
Rev. Idler Gear Brg.	JH1818	3
Countershaft Rear Brg.	IR1816	1
Shift Rail Brg.	B1612	2
Input Shaft Seal	2822V (2.062x3.000)	1
Output Shaft Seal	415983N (3.750x4.499)	1
Shift Rail Seal	240731 (1.000x1.250)	1
Snap Ring Set	SR214	1
Gasket Set	GT214	1

TRK-214MK

Position	Part Number	Qty
Input Shaft Brg.	214S	1
Input Shaft Pilot Brg.	MA1205EL	1
Output Shaft Pilot Brg.	IR1816-SCH2216	1
Output Shaft Front Brg.	118L	1
Output Shaft Rear Brg.	83B043C3	1
Countershaft Front Brg.	JLM104948-JLM104910	3
Countershaft Rear Brg.	LM501349-LM501310	3
Rear Countershaft Front Brg.	LM501349-LM501310	3
Rear Countershaft Rear Brg.	3780-3720	3
Rev. Idler Gear Brg.	JH1818	3
Countershaft Rear Brg.	IR1816	1
Shift Rail Brg.	B1612	2
Input Shaft Seal	2822V (2.062x3.000)	1
Output Shaft Seal	415983N (3.750x4.499)	1
Shift Rail Seal	240731 (1.000x1.250)	1
Snap Ring Set	SR214	1
Gasket Set	GT214	1
Washer Set	WK214	1
Shim Set	SH214	1
Small Parts Kit	SPK214	1

TRK-214MK1

Position	Part Number	Qty
Input Shaft Brg.	214S	1
Input Shaft Pilot Brg.	MA1205EL	1
Output Shaft Pilot Brg.	IR1816-SCH2216	1
Output Shaft Front Brg.	118L	1
Output Shaft Rear Brg.	83B043C3	1
Countershaft Front Brg.	JLM104948-JLM104910	3
Countershaft Rear Brg.	LM501349-LM501310	3
Rear Countershaft Front Brg.	LM501349-LM501310	3
Rear Countershaft Rear Brg.	3780-3720	3
Rev. Idler Gear Brg.	JH1818	3
Countershaft Rear Brg.	IR1816	1
Shift Rail Brg.	B1612	2
Input Shaft Seal	2822V (2.062x3.000)	1
Output Shaft Seal	415983N (3.750x4.499)	1
Shift Rail Seal	240731 (1.000x1.250)	1
Snap Ring Set	SR214	1
Gasket Set	GT214	1
Washer Set	WK214-1	1
Shim Set	SH214	1
Small Parts Kit	SPK214-1	1

TRK-219

Position	Part Number	Qty
Input Shaft Brg.	7211HFL	1
Input Shaft Pilot Brg.	MU5206L	1
Output Shaft Brg.	7211HL	1
Countershaft Front Brg.	LM48548-LM48510	1
Countershaft Rear Brg.	LM102949-LM102910	1
1st Gear Brg.	F93290	1
2nd Gear Brg.	F95407	1
3rd Gear Brg.	FW505520	2
4th Gear Brg.	FW455017	2
Rev. Gear Brg.	F93290	1
Rev. Idler Gear Brg.	WJ162116	2
Input Shaft Seal	39920 (1.562x2.062)	1
Input Shaft Seal	39930 (1.812x2.562)	1
Output Shaft Seal	415322V (2.750x3.543)	1
Snap Ring Set	SR219	1
Gasket Set	GT210	1

TRK-221

Position	Part Number	Qty
Input Shaft Brg.	7211HFL	1
Input Shaft Pilot Brg.	MU5206L	1
Output Shaft Brg.	7211HL	1
Countershaft Front Brg.	LM48548-LM48510	1
Countershaft Rear Brg.	2788A-2729	1
Rev. Idler Gear Brg.	WJ162116	2
1st Gear Brg.	F208323	1
2nd Gear Brg.	F93290	2
3rd Gear Brg.	F95407	1
4th Gear Brg.	F209348	1
Input Shaft Seal	39920 (1.562x2.062)	1
Input Shaft Seal	39930 (1.812x2.562)	1
Output Shaft Seal	415322V (2.750x3.543)	1
Snap Ring Set	SR220	1
Gasket Set	GT221	1

TRK-222

Position	Part Number	Qty
Input Shaft Brg.	1213L	1
Input Shaft Pilot Brg.	MU5206L	1
Output Shaft Center Brg.	1213L	1
Output Shaft Rear Brg.	7211HL	1
Countershaft Front Brg.	2788A-2729	1
Countershaft Ctr. Brg.	MB1212GEXR	1
Countershaft Rear Brg.	2788A-2729	1
Rev. Idler Gear Brg.	WJ162116	2
1st Gear Brg.	F208323	1
2nd Gear Brg.	F208323	1
3rd Gear Brg.	F208323	1
4th Gear Brg.	FW657020	1
4th Gear Brg.	FW657030	1
4th/5th Shift Hub Brg.	FWH556320	2
6th Gear Brg.	FW475325	2
Rev. Gear Brg.	F208323	1
Input Shaft Seal	39925 (1.781x2.502)	1
Output Shaft Seal	415322V (2.750x3.543)	1
Snap Ring Set	SR221	1
Gasket Set	GT221	1

TRK-226

Position	Part Number	Qty
Intermediate Shaft Front Brg.	2788-2720	1
Intermediate Shaft Rear Brg.	25877-25821	1
Output Shaft Brg.	MR1307EX	2
Rev. Shaft Brg.	MR1307EXW927	2
Shift Rod Seal	471570 (.875x1.499)	4
Output Shaft Seal	472015 (2.125x3.000)	1
Gasket Set	GT226	1

TRK-390F

Position	Part Number	Qty
Input Shaft Brg.	M802048-M802011	1
Input Shaft Pilot Brg.	QBR49845	1
Output Shaft Brg.	28580-28527RB	1
Countershaft Front Brg.	DD46386	1
Countershaft Rear Brg.	MU1309UGM	1
Rev. Idler Gear Brg.	QA47838	1
Mainshaft Gear Brg.	QA48181A	1
4th & 5th Shift Hub Brg.	FA35688	1
4th & 5th Shift Hub Race	TR235383	1
Input Shaft Seal	473010N (1.625x2.502)	1
Mainshaft Rear Seal	475322N (2.750x3.543)	1
Mainshaft 4th Gear Brg.	F94488	1
Mainshaft 2nd, 3rd & Rev. Gear Brg.	F94490	3
Gasket Set	GT390FGH	1

TRK-390G

Position	Part Number	Qty
Input Shaft Brg.	M802048-M802011	1
Input Shaft Pilot Brg.	QBR49845	1
Output Shaft Brg.	25584-25547RB	1
Countershaft Front Brg.	DD46386	1
Countershaft Rear Brg.	MU1309UGM	1
Rev. Idler Gear Brg.	QA47838	1
Mainshaft Gear Brg.	QA48181A	1
4th & 5th Shift Hub Brg.	FA35688	1
4th & 5th Shift Hub Race	TR235383	1
Input Shaft Seal	473010N (1.625x2.502)	1
Input Shaft Seal	482041N (1.875x2.502)	1
Output Shaft Seal	485364N (2.750x3.500)	1
Output Shaft Seal	471271 (2.500x3.251)	1
Mainshaft 4th Gear Brg.	F94488	1
Mainshaft 2nd, 3rd & Rev. Gear Brg.	F94490	3
Gasket Set	GT390FGH	1

Heavy Duty Transmission Rebuild Kits

TRK-390H			TRK-400			TRK-502		
Position	Part Number	Qty	Position	Part Number	Qty	Position	Part Number	Qty
Input Shaft Brg.	M804049-M804010	1	Input Shaft Brg.	1212S	1	Input Shaft Brg.	218L	1
Input Shaft Pilot Brg.	QBR49845	1	Input Shaft Rear Brg.	MU1313RUMW3	1	Input Shaft Pilot Brg.	SCE2014P	2
Output Shaft Brg.	28580-28527RB	1	Mainshaft Front Brg.	308	1	Countershaft Front Brg.	308L	3
Countershaft Front Brg.	DD46386	1	Mainshaft Rear Brg.	MU1313RUMW3	1	Countershaft Rear Brg.	MAR5209-M5209EL	3
Countershaft Rear Brg.	MU1309UGM	1	Countershaft Front Brg.	MU1308UM	1	Rear Countershaft Front Brg.	MAR5209-M1209EL	3
Rev. Idler Gear Brg.	QA47838	1	Countershaft Rear Brg.	MU1312RUMW3	1	Rear Countershaft Rear Brg.	1208L	3
Mainshaft Gear Brg.	QA48181A	1	Input Shaft Seal	20920 (3.500x4.500)	1	Rev. Idler Gear Brg.	J361648	3
4th & 5th Shift Hub Brg.	FA35688	1	Output Shaft Seal	20920 (3.500x4.500)	1	Input Shaft Seal	2822V (2.062x3.000)	1
4th & 5th Shift Hub Race	TR235383	1	Shift Shaft Seal	340483 (.875x1.250)	1	Output Shaft Seal	332134 (2.062x2.561)	2
Input Shaft Seal	482041N (1.875x2.502)	1	Gasket Set	K-1568	1	Clutch Release Seal	343186 (1.250x1.500)	1
Output Shaft Seal	485364N (2.750x3.500)	1	TRK-401			Shift Rail Seal	7750 (.750x1.124)	3
Output Shaft Seal	411143N (2.625x3.251)	1	Position	Part Number	Qty	Snap Ring Set	SR502	1
Mainshaft 4th Gear Brg.	F94488	1	Input Shaft Brg.	MU1214UMW3	1	O-Ring Set	OK502	1
Mainshaft 2nd, 3rd & Rev. Gear Brg.	F94490	3	Aux. Drive Gear Brg.	117L	1	Gasket Set	GT502	1
Gasket Set	GT390FGH	1	Aux. Mainshaft Front Brg.	17406	1	TRK-503		
TRK-395F			Aux. Mainshaft Rear Brg.	29675 Assy 902A8 (A2892)	1	Position	Part Number	Qty
Position	Part Number	Qty	Aux. Countershaft Front Brg.	MU1309UV	2	Input Shaft Brg.	214L	1
Input Shaft Brg.	M802048-M802011	1	Aux. Countershaft Rear Brg.	1311L	2	Input Shaft Pilot Brg.	MA1205EL	1
Input Shaft Pilot Brg.	QBR49845	1	Aux. Countershaft Rear Brg.	1311L	2	Ouput Shaft Brg.	1213A	1
Output Shaft Brg.	28580-28527RB	1	Input Shaft Seal	415027N (3.500x4.999)	1	Countershaft Front Brg.	JLM104948-JLM104910	3
Countershaft Front & Rear Brg.	25590-25520	2	Input Shaft Seal	416339 (3.750x4.999)	1	Countershaft Rear Brg.	LM501349-LM501310	3
4th & 5th Shift Hub Brg.	FA35688	1	Input Shaft Seal Kit	K-2256	1	Rev. Idler Gear Brg.	JH1818	3
4th & 5th Shift Hub Race	TR235383	1	Output Shaft Seal Kit	K-2262	1	Clutch Release Shaft Brg.	B1612	2
Mainshaft 1st Gear Brg.	QA48181A	2	O-Ring Kit	K-1552	1	Bushing	BS52	1
Mainshaft 2nd, 3rd & Rev. Gear Brg.	F94490	3	Gasket Kit	K-1479	1	Input Shaft Seal	2822V (2.062x3.000)	1
Mainshaft 4th Gear Brg.	F94488	1	TRK-500			Output Shaft Seal	713750 (3.750x4.500)	1
Rev. Idler Gear Brg.	QA47838	1	Position	Part Number	Qty	Snap Ring Set	SR503	1
Input Shaft Seal	473010N (1.625x2.502)	1	Clutch Release Brg.	2756T	1	O-Ring Set	OK503	1
Output Shaft Seal	475322N (2.750x3.543)	1	Input Shaft Brg.	214SL	1	Gasket Set	GT503	1
Gasket Set	GT390FGH	1	Input Shaft Pilot Brg.	MA1205EL	1	TRK-503MK		
TRK-395G			Main Drive Gear Brg.	214L	1	Position	Part Number	Qty
Position	Part Number	Qty	Main Drive Gear Pilot Brg.	MA1205EL	1	Input Shaft Brg.	214L	1
Input Shaft Brg.	M802048-M802011	1	Ouput Shaft Brg.	214L	1	Input Shaft Pilot Brg.	MA1205EL	1
Input Shaft Pilot Brg.	QBR49845	1	Compound Case	308L	3	Ouput Shaft Brg.	1213A	1
Output Shaft Brg.	25584-25547RB	1	Countershaft Front Brg.	308L	3	Countershaft Front Brg.	JLM104948-JLM104910	3
Countershaft Front & Rear Brg.	25590-25520	2	Compound Case	206	3	Countershaft Rear Brg.	LM501349-LM501310	3
4th & 5th Shift Hub Brg.	FA35688	1	Countershaft Rear Brg.	308L	3	Rev. Idler Gear Brg.	JH1818	3
4th & 5th Shift Hub Race	TR235383	1	Countershaft Front Brg.	308L	3	Clutch Release Shaft Brg.	B1612	2
Mainshaft 1st Gear Brg.	QA48181A	2	Countershaft Rear Brg.	MA1209EL	3	Bushing	BS52	1
Mainshaft 2nd, 3rd & Rev. Gear Brg.	F94490	3	Rear Countershaft Brg.	1208L	3	Input Shaft Seal	2822V (2.062x3.000)	1
Mainshaft 4th Gear Brg.	F94488	1	Rev. Idler Gear Brg.	J361648	3	Ouput Shaft Seal	713750 (3.750x4.500)	1
Rev. Idler Gear Brg.	QA47838	1	Shift Rail Brg.	SCE2014P	3	Snap Ring Set	SR503	1
Input Shaft Seal	473010N (1.625x2.502)	1	Input Shaft Seal	332134 (2.062x2.561)	1	O-Ring Set	OK503	1
Output Shaft Seal	712512 (2.250x3.252)	1	Output Shaft Seal	415991N (3.500x4.501)	1	Gasket Set	GT503	1
Gasket Set	GT390FGH	1	Output Shaft Seal	410312N (2.125x3.125)	1	Washer Set	WK503	1
TRK-395H			Clutch Release Seal	343186 (1.250x1.500)	4	Small Parts Kit	SPK503	1
Position	Part Number	Qty	Shift Rail Seal	7750 (.750x1.124)	2	Shim Set	SH503	1
Input Shaft Brg.	M804049-M804010	1	Gasket Set	GT213	1	TRK-501		
Input Shaft Pilot Brg.	QBR49845	1	Position	Part Number	Qty	Input Shaft Brg.	218L	1
Output Shaft Brg.	28580-28527RB	1	Input Shaft Pilot Brg.	MA1305EL	1	Input Shaft Pilot Brg.	MA1305EL	1
Countershaft Front & Rear Brg.	25590-25520	2	Ouput Shaft Brg.	214L	1	Ouput Shaft Brg.	214L	1
4th & 5th Shift Hub Brg.	FA35688	1	Countershaft Front Brg.	308L	3	Countershaft Front Brg.	308L	3
4th & 5th Shift Hub Race	TR235383	1	Countershaft Rear Brg.	MA1209EL	3	Countershaft Rear Brg.	MA1209EL	3
Mainshaft 1st Gear Brg.	QA48181A	2	Rear Countershaft Rear Brg.	1208L	3	Rear Countershaft Rear Brg.	1208L	3
Mainshaft 2nd, 3rd & Rev. Gear Brg.	F94490	3	Rev. Idler Gear Brg.	J361648	3	Rev. Idler Gear Brg.	J361648	3
Mainshaft 4th Gear Brg.	F94488	1	Shift Rail Brg.	SCE2014P	2	Shift Rail Brg.	SCE2014P	2
Rev. Idler Gear Brg.	QA47838	1	Input Shaft Seal	2822V (2.062x3.000)	1	Input Shaft Seal	2822V (2.062x3.000)	1
Input Shaft Seal	482041N (1.875x2.502)	1	Output Shaft Seal	415991N (3.500x4.501)	1	Output Shaft Seal	415991N (3.500x4.501)	1
Output Shaft Seal	411143N (2.625x3.251)	1	Clutch Release Seal	343186 (1.250x1.500)	1	Clutch Release Seal	343186 (1.250x1.500)	1
Output Shaft Seal	475322N (2.750x3.543)	1	Shift Rail Seal	7750 (.750x1.124)	3	Shift Rail Seal	7750 (.750x1.124)	3
Gasket Set	GT390FGH	1	Snap Ring Set	SR501	1	Snap Ring Set	SR501	1
			O-Ring Set	OK501	1	O-Ring Set	OK501	1
			Bushing	BS52	1	Bushing	BS52	1
			Gasket Set	GT501	1	Gasket Set	GT501	1

HD Transmission

Heavy Duty Transmission Rebuild Kits



HD Transmission

TRK-504		
Position	Part Number	Qty
Input Shaft Front Brg.	H715341-H715311	1
Input Shaft Rear Brg.	H715341-H715311	1
Countershaft Front Brg.	H715341-H715311	1
Countershaft Rear Brg.	H715341-H715311	1
Countershaft High - Low Range Brg.	WJ485424	4
Front Driveshaft Front Brg.	458S-453X	1
Front Driveshaft Rear Brg.	4559-4535	1
Rear Driveshaft Front Brg.	6461A-JH415610	1
Rear Driveshaft Rear Brg.	HM516449C-HM516410	1
Rear Output Shaft Front Brg.	570-563	1
Rear Output Shaft Rear Brg.	570-563	1
Front Output Shaft Front Brg.	JH307749-JH307710	1
Front Output Shaft Rear Brg.	JH307749-JH307710	1
Gasket Kit	GT-504	1

TRK-505		
Position	Part Number	Qty
Input Shaft Brg.	214S	1
Input Shaft Pilot Brg.	MA1205EL	1
Output Shaft Pilot Brg.	IR1816-SCH2216	1
Output Shaft Front Brg.	118L	1
Output Shaft Rear Brg.	83B043C3	1
Countershaft Front Brg.	JLM104948-JLM104910	3
Countershaft Rear Brg.	LM501349-LM501310	3
Rear Countershaft Front Brg.	LM501349-LM501310	3
Rear Countershaft Rear Brg.	3780-3720	3
Rev. Idler Gear Brg.	JH1818	3
Countershaft Rear Brg.	IR1816	1
Shift Rail Brg.	B1612	2
Input Shaft Seal	2822V (2.062x3.000)	1
Output Shaft Seal	713750 (3.750x4.500)	1
Shift Rail Seal	240731 (1.000x1.250)	1
Snap Ring Set	SR505	1
O-Ring Kit	OK214A	1
Gasket Set	GT505	1

TRK-505MK		
Position	Part Number	Qty
Input Shaft Brg.	214S	1
Input Shaft Pilot Brg.	MA1205EL	1
Output Shaft Pilot Brg.	IR1816-SCH2216	1
Output Shaft Front Brg.	118L	1
Output Shaft Rear Brg.	83B043C3	1
Countershaft Front Brg.	JLM104948-JLM104910	3
Countershaft Rear Brg.	LM501349-LM501310	3
Rear Countershaft Front Brg.	LM501349-LM501310	3
Rear Countershaft Rear Brg.	3780-3720	3
Rev. Idler Gear Brg.	JH1818	3
Countershaft Rear Brg.	IR1816	1
Shift Rail Brg.	B1612	2
Input Shaft Seal	2822V (2.062x3.000)	1
Output Shaft Seal	713750 (3.750x4.500)	1
Shift Rail Seal	240731 (1.000x1.250)	1
Snap Ring Set	SR505	1
O-Ring Kit	OK214A	1
Gasket Set	GT505	1
Washer Set	WK505	1
Shim Set	SH505	1
Small Parts Kit	SPK505	1

TRK-506		
Position	Part Number	Qty
Input Shaft Brg.	214L	1
Input Shaft Pilot Brg.	MA1205EL	1
Output Shaft Pilot Brg.	IR1816-SCH2216	1
Output Shaft Front Brg.	118L	1
Output Shaft Rear Brg.	83B043C3	1
Countershaft Front Brg.	JLM104948-JLM104910	3
Countershaft Rear Brg.	LM501349-LM501310	3
Rear Countershaft Front Brg.	LM501349-LM501310	3
Rear Countershaft Rear Brg.	3780-3720	3
Rev. Idler Gear Brg.	HJ182620	3
Countershaft Rear Brg.	IR1816	1
High-Low Hub Brg.	6912	1
Shift Rail Brg.	B1612	2
Input Shaft Seal	2822V (2.062x3.000)	1
Output Shaft Seal	713750 (3.750x4.500)	1
Shift Rail Seal	240731 (1.000x1.250)	1
Snap Ring Set	SR506	1
O-Ring Kit	OK214A	1
Gasket Set	GT505	1

TRK-506MK		
Position	Part Number	Qty
Input Shaft Brg.	214L	1
Input Shaft Pilot Brg.	MA1205EL	1
Output Shaft Pilot Brg.	IR1816-SCH2216	1
Output Shaft Rear Brg.	83B043C3	1
Countershaft Front Brg.	JLM104948-JLM104910	3
Countershaft Rear Brg.	LM501349-LM501310	3
Rear Countershaft Front Brg.	LM501349-LM501310	3
Rear Countershaft Rear Brg.	3780-3720	3
Rev. Idler Gear Brg.	HJ182620	3
Countershaft Rear Brg.	IR1816	1
High-Low Hub Brg.	6912	1
Shift Rail Brg.	B1612	2
Input Shaft Seal	2822V (2.062x3.000)	1
Output Shaft Seal	713750 (3.750x4.500)	1
Shift Rail Seal	240731 (1.000x1.250)	1
Snap Ring Set	SR506	1
O-Ring Kit	OK214A	1
Gasket Set	GT505	1
Washer Set	WK506	1
Shim Set	SH214	1
Small Parts Kit	SPK506	1

TRK-507		
Position	Part Number	Qty
Input Shaft Brg.	214L	1
Input Shaft Pilot Brg.	MA1205EL	1
Output Shaft Pilot Brg.	IR1816-SCH2216	1
Output Shaft Front Brg.	118L	1
Output Shaft Rear Brg.	83B043C3	1
Countershaft Front Brg.	JLM104948-JLM104910	3
Countershaft Rear Brg.	LM501349-LM501310	3
Rear Countershaft Front Brg.	LM501349-LM501310	3
Rear Countershaft Rear Brg.	3780-3720	3
Rev. Idler Gear Brg.	JH1818	3
Countershaft Rear Brg.	IR1816	1
High-Low Hub Brg.	6912	1
Shift Rail Brg.	B1612	2
Input Shaft Seal	2822V (2.062x3.000)	1
Output Shaft Seal	713750 (3.750x4.500)	1
Shift Rail Seal	240731 (1.000x1.250)	1
Snap Ring Set	SR505	1
O-Ring Kit	OK214A	1
Gasket Set	GT505	1

TRK-507MK		
Position	Part Number	Qty
Input Shaft Brg.	214L	1
Input Shaft Pilot Brg.	MA1205EL	1
Output Shaft Pilot Brg.	IR1816-SCH2216	1
Output Shaft Front Brg.	118L	1
Output Shaft Rear Brg.	83B043C3	1
Countershaft Front Brg.	JLM104948-JLM104910	3
Countershaft Rear Brg.	LM501349-LM501310	3
Rear Countershaft Front Brg.	LM501349-LM501310	3
Rear Countershaft Rear Brg.	3780-3720	3
Rev. Idler Gear Brg.	JH1818	3
Countershaft Rear Brg.	IR1816	1
High-Low Hub Brg.	6912	1
Shift Rail Brg.	B1612	2
Input Shaft Seal	2822V (2.062x3.000)	1
Output Shaft Seal	713750 (3.750x4.500)	1
Shift Rail Seal	240731 (1.000x1.250)	1
Snap Ring Set	SR505	1
O-Ring Kit	OK214A	1
Gasket Set	GT505	1
Washer Set	WK507	1
Shim Set	SH214	1
Small Parts Kit	SPK507	1

TRK-510		
Position	Part Number	Qty
Input Shaft Brg.	21626063	1
Constant Gear Brg.	1654088	2
Input Shaft Pilot Brg.	1656116	1
Output Shaft Front Brg.	21626057	1
Output Shaft Rear Brg.	21170624	1
Countershaft Front Brg.	21626061	1
Countershaft Rear Brg.	22283632	1
1st Gear Brg.	1521452	1
2nd Gear Brg.	1652575	1
Rev. Gear Brg.	1652575	1
Rev. Idler Gear Brg.	20483574	2
Input Shaft Seal	DT3426	1
Output Shaft Seal	DT2776	1
Output Shaft Sealing Ring	DT2622	1
Gasket Kit	20785252	1
Top Cover Gasket	8171137	1
Oil Pump O-Ring	949656	2

TRK-510A		
Position	Part Number	Qty
Input Shaft Brg.	21626063	1
Constant Gear Brg.	1654088	2
Input Shaft Pilot Brg.	1656116	1
Output Shaft Front Brg.	21626057	1
Output Shaft Rear Brg.	20785448	1
Countershaft Front Brg.	21626061	1
Countershaft Rear Brg.	22283632	1
1st Gear Brg.	1521452	1
2nd Gear Brg.	1652575	1
Rev. Gear Brg.	1652575	1
Rev. Idler Gear Brg.	20483574	2
Input Shaft Seal	DT3426	1
Output Shaft Seal	DT1305	1
Output Shaft Sealing Ring	DT1222	1
Gasket Kit	20785252	1
Top Cover Gasket	8171137	1
Oil Pump O-Ring	949656	2

Heavy Duty Transmission Rebuild Kits

TRK-511		
Position	Part Number	Qty
Input Shaft Brg.	21626057	1
Constant Gear Brg.	1654088	2
Input Shaft Pilot Brg.	1656116	1
Output Shaft Front Brg.	21626057	1
Output Shaft Rear Brg.	21170624	1
Countershaft Front Brg.	21627792	1
Countershaft Rear Brg.	22283632	1
1st Gear Brg.	1521452	1
2nd Gear Brg.	1652575	1
Rev. Gear Brg.	1652575	1
Rev. Idler Gear Brg.	20483574	2
Input Shaft Seal	DT3426	1
Output Shaft Seal	DT2776	1
Output Shaft Sealing Ring	DT2622	1
Gasket Kit	20785252	1
Top Cover Gasket	8171137	1
Oil Pump O-Ring	949656	2

TRK-511A		
Position	Part Number	Qty
Input Shaft Brg.	21626057	1
Constant Gear Brg.	1654088	2
Input Shaft Pilot Brg.	1656116	1
Output Shaft Front Brg.	21626057	1
Output Shaft Rear Brg.	20785448	1
Countershaft Front Brg.	21627792	1
Countershaft Rear Brg.	22283632	1
1st Gear Brg.	1521452	1
2nd Gear Brg.	1652575	1
Rev. Gear Brg.	1652575	1
Rev. Idler Gear Brg.	20483574	2
Input Shaft Seal	DT3426	1
Output Shaft Seal	DT1305	1
Output Shaft Sealing Ring	DT1222	1
Gasket Kit	20785252	1
Top Cover Gasket	8171137	1
Oil Pump O-Ring	949656	2

TRK-700		
Position	Part Number	Qty
Input Shaft Brg.	BS500262R	1
Countershaft Front Brg.	25581-25520	2
Countershaft Rear Brg.	25590-25520	2
Aux. Countershaft Front Brg.	MR1307EX	2
Aux. Countershaft Rear Brg.	MR1309UV	2
Aux. Mainshaft Brg.	JLM710949C (90KA3)	1
Rev. Idler Gear Brg.	K55X63X25A	2
Low Range Brg.	K73X79X20B	2
Input Shaft Seal	97-463-36-1X	1
Output Shaft Seal	37410 (3.750x4.750)	1
Snap Ring	201-381-1	1
Snap Ring	201-381-3	1
Shim Kit	313667X	1
Gasket Set	312475-45X	1

TRK-702		
Position	Part Number	Qty
Input Shaft Brg.	MU1211GUM	1
Input Shaft Pilot Brg.	JH1416	1
Output Shaft Brg.	214LH	1
Countershaft Front Brg.	1311L	2
Countershaft Rear Brg.	MU1209UGMR	2
Rev. Idler Gear Brg.	WJ162116	2
Input Shaft Seal	97-463-36-1X	1
Output Shaft Seal	714713 (4.000x4.999)	1
Gasket Set	GT193	1

TRK-703		
Position	Part Number	Qty
Input Shaft Front Brg.	114	1
Input Shaft Rear Brg.	MU1215TV	1
Input Shaft Pilot Brg.	JH1812	1
Output Shaft Brg.	214LH	1
Countershaft Front Brg.	MU1311UGMR	2
Countershaft Rear Brg.	MR1309EAL	2
Input Shaft Seal	415281N (3.000x3.751)	1
Output Shaft Seal	415035 (4.000x4.999)	1
Shift Rod Seal	471570 (.875x1.499)	2
Gasket Set	GT158	1

TRK-704		
Position	Part Number	Qty
Input Shaft Brg.	1213L	1
Input Shaft Pilot Brg.	MU5206L	1
Output Shaft Brg.	7211HL	1
Countershaft Front Brg.	2788A-2729	1
Countershaft Rear Brg.	2788A-2729	1
1st Gear Brg.	F208323	1
2nd Gear Brg.	F93290	1
3rd Gear Brg.	F95407	1
4th Gear Brg.	F209348	1
Rev. Gear Brg.	F93290	1
Rev. Idler Gear Brg.	WJ162116	2
Input Shaft Seal	39925 (1.781x2.502)	1
Output Shaft Seal	415322V (2.750x3.543)	1
Shift Fork Clip	101-486-1-1X	3
Gasket Set	312475-47X	1

TRK-705		
Position	Part Number	Qty
Input Shaft Brg.	MR1211GEL	1
Input Shaft Pilot Brg.	MR1205EL	1
Mainshaft Rear Brg.	214LH	1
Output Shaft Front Brg.	MU1207UGV	1
Output Shaft Rear Brg.	214LH	1
Countershaft Front Brg.	1311L	2
Countershaft Rear Brg.	WR61209EX	2
Aux. Countershaft Front Brg.	JLM104948-JLM104910	2
Aux. Countershaft Rear Brg.	JLM506849-JLM506810	2
Rev. Idler Gear Brg.	WJ162116	4
Range Gear Brg.	F81205	1
Input Shaft Seal	412015V (2.125x3.000)	1
Output Shaft Seal	3893V (3.750x4.750)	1
Snap Ring Set	SR705	1
Gasket Set	GT705	1

TRK-706		
Position	Part Number	Qty
Input Shaft Front Brg.	MU1211GUM	1
Input Shaft Pilot Brg.	JH1416	1
Output Shaft Brg.	214LH	1
Countershaft Front Brg.	MU1209UGMR	2
Countershaft Rear Brg.	MU1209UGMR	2
Rev. Idler Gear Brg.	WJ162116	4
Input Shaft Seal	97-463-36-1X	1
Output Shaft Seal	3893V (3.750x4.750)	1
Gasket Set	GT192	1

TRK-707		
Position	Part Number	Qty
Intermediate Shaft Front Brg.	2788-2720	1
Intermediate Shaft Rear Brg.	25877-25821	1
Output Shaft Brg.	23691-23620	2
Rev. Shaft Brg.	26883-26824	2
Shift Rod Seal	471570 (.875x1.499)	4
Output Shaft Seal	472015 (2.125x3.000)	1
Gasket Set	GT226	1

TRK-708		
Position	Part Number	Qty
Intermediate Shaft Front Brg.	MR1308TV	1
Intermediate Shaft Rear Brg.	5306W	1
Output Shaft Brg.	23691-23620	2
Rev. Shaft Brg.	26883-26824	2
Shift Rod Seal	471570 (.875x1.499)	4
Output Shaft Seal	472015 (2.125x3.000)	1
Gasket Set	GT226	1

TRK-709		
Position	Part Number	Qty
Intermediate Shaft Front Brg.	MR1308TV	1
Intermediate Shaft Rear Brg.	5306W	1
Output Shaft Brg.	MR1307EX	2
Rev. Shaft Brg.	MR1307EXW927	2
Shift Rod Seal	471570 (.875x1.499)	4
Output Shaft Seal	472015 (2.125x3.000)	1
Gasket Set	GT226	1

TRK-1000		
Position	Part Number	Qty
Input Shaft Brg.	212SLV	1
Input Shaft Pilot Bushing	BS59	1
Aux. Drive Gear Brg.	117L	1
Aux. Mainshaft Brg.	390A Assy 902A2 (A3071)	1
Countershaft Front Brg.	MSN1211REX	2
Countershaft Rear Brg.	MU1308TVWS	2
Aux. Countershaft Front Brg.	MR1307EL ¹⁸	2
Aux. Countershaft Rear Brg.	1310L	2
Rev. Idler Gear Brg.	HJ223020-1R18200H	2
Aux. Range Shaft Quill Front Brg.	204	1
Aux. Range Shaft Quill Rear Bushing	BS60	1
Aux. Output Shaft Seal	415983N (3.750x4.499)	1
Auxiliary Drive Gear Brg Retainer Seal	452554N (1.500x1.983)	1
Input Shaft Nut	CN1 (8997)	1
O-Ring Set	OK1000V	1
Snap Ring Set	SR1000	1
Gasket Set	GT200N	1

TRK-1000AUX		
Position	Part Number	Qty
Aux. Mainshaft Brg.	390A Assy 902A2 (A3071)	1
Aux. Countershaft Front Brg.	MR1307EL ¹⁸	2
Aux. Countershaft Rear Brg.	1310L	2
Aux. Range Shaft Quill Front Brg.	204	1
Aux. Range Shaft Quill Rear Bushing	BS60	1
Aux. Output Shaft Seal	415983N (3.750x4.499)	1
O-Ring Set	OK1000V	1
Snap Ring Set	SR1000	1
Gasket Set	GT200N	1

HD Transmission

¹⁸Models before 1973; use MR5208EL

Heavy Duty Transmission Rebuild Kits



HD Transmission

TRK-1063		
Position	Part Number	Qty
Input Shaft Brg.	212SLV	1
Input Shaft Pilot Bushing	BS59	1
Aux. Drive Gear Brg.	5566507	1
Aux. Mainshaft Brg.	390A Assy 902A2 (A3071)	1
Countershaft Front Brg.	MSN1211REX	2
Countershaft Rear Brg.	MU1308TVWS	2
Rev. Idler Gear Brg.	HJ223020-IR18200H	2
Aux. Countershaft Front Brg.	MR1307EL	2
Aux. Countershaft Rear Brg.	1310L	2
Spring	14897	3
Output Shaft Seal Kit	K-2256	1
O-Ring Kit	K-1450	1
Snap Ring	14317	2
Snap Ring	14750	1
Snap Ring	16723	2
Snap Ring	16763	2
Gasket Kit	K-2199	1
Spring	15918	3
Input Shaft Nut	CN1 (8997)	1
Sliding Clutch	16118	1
Collet	83001	4
Connector	84002	2
Connector	85002	1
Sealer	LC54505	1
Input Shaft	S1128	1

TRK-1064		
Position	Part Number	Qty
Input Shaft Brg.	212SLV	1
Input Shaft Pilot Bushing	BS59	1
Aux. Drive Gear Brg.	5566507	1
Aux. Mainshaft Brg.	29675 Assy 902A8 (A2892)	1
Countershaft Front Brg.	MSN1211REX	2
Countershaft Rear Brg.	MU1308TVWS	2
Rev. Idler Gear Brg.	HJ223020-IR18200H	2
Aux. Countershaft Front Brg.	MR1307EL	2
Aux. Countershaft Rear Brg.	1311L	2
Spring	14897	3
Output Shaft Seal Kit	K-2256	1
O-Ring Kit	K-1450	1
Snap Ring	11364	2
Snap Ring	14317	2
Snap Ring	14750	1
Snap Ring	16763	2
Gasket Kit	K-2199	1
Spring	15918	3
Input Shaft Nut	CN1 (8997)	1
Sliding Clutch	16118	1
Collet	83001	4
Connector	84002	2
Connector	85002	1
Sealer	LC54505	1
Input Shaft	S1128	1

TRK-1079		
Position	Part Number	Qty
Input Shaft Brg.	MU1212RUMW3	1
Aux. Drive Gear Brg.	5566507	1
Aux. Mainshaft Brg.	29675 Assy 902A8 (A2892)	1
Countershaft Front Brg.	BS500192SX	2
Countershaft Rear Brg.	MU1308TVWS	2
Rev. Idler Gear Brg.	HJ223020-IR18200H	2
Aux. Countershaft Front Brg.	MR1307EL	2
Aux. Countershaft Rear Brg.	5310WL	2
Aux. Range Shaft Quill Front Brg.	204	1
Aux. Range Shaft Quill Rear Bushing	BS60	1
Spring	14897	3
Output Shaft Seal Kit	K-2256	1
O-Ring Kit	K-1447	1
Snap Ring	14291	1
Snap Ring	14317	2
Snap Ring	14750	1
Snap Ring	16723	2
Snap Ring	16763	2
Gasket Kit	K-2199	1
Spring	15918	3
Input Shaft Nut	CN1 (8997)	1
Sliding Clutch	16118	1
Collet	83001	4
Connector	84002	2
Connector	85002	1
Sealer	LC54505	1
Input Shaft	S1228	1

TRK-1554		
Position	Part Number	Qty
Aux. Mainshaft Brg.	29675 Assy 902A8 (A2892)	1
Aux. Countershaft Front Brg.	MU61307GUM	2
Aux. Countershaft Rear Brg.	1310SLV	2
Aux. Range Shaft Quill Front Brg.	204	1
Output Shaft Seal Kit	K-2256	1
O-Ring Set	K-1447	1
O-Ring	OR217V	1
O-Ring	OR221V	1
Snap Ring	14291	1
Snap Ring	16723	2
Key Assembly	A3697	1
Spring	14897	3
Insert Valve	19974	1
Connector	85002	1
Gasket Set	K-1603	1
Threadlocker	TL1	1

TRK-1555		
Position	Part Number	Qty
Aux. Mainshaft Brg.	390A Assy 902A2 (A3071)	1
Aux. Countershaft Front Brg.	MR1307EL ¹⁸	2
Aux. Countershaft Rear Brg.	1310L	2
Aux. Range Shaft Quill Front Brg.	204	1
Output Shaft Seal Kit	K-2256	1
O-Ring Set	K-1447	1
O-Ring	OR217V	1
O-Ring	OR221V	1
Snap Ring	14291	1
Snap Ring	16723	2
Key Assembly	A3697	1
Spring	14897	3
Insert Valve	19974	1
Connector	85002	1
Gasket Set	K-1603	1

TRK-1763		
Position	Part Number	Qty
Input Shaft Brg.	MU1212RUMW3	1
Aux. Drive Gear Brg.	5566507	1
Aux. Mainshaft Brg.	29675 Assy 902A8 (A2892)	1
Aux. Mainshaft Front Brg.	BS500192SX	1
Aux. Mainshaft Rear Brg.	MU1308TVWS	1
Rev. Idler Gear Brg.	HJ223020-IR18200H	2
Aux. Countershaft Front Brg.	MR1307EL	2
Aux. Countershaft Rear Brg.	5310WLB	2
Aux. Range Shaft Quill Front Brg.	204	1
Aux. Range Shaft Quill Rear Bushing	BS60	1
Spring	14897	3
Output Shaft Seal Kit	K-2256	1
Oil Seal	16977 (2.250x3.189)	1
O-Ring Kit	K-1447	1
O-Ring Kit	OK17453	1
O-Ring	OR217V	1
O-Ring	OR221V	1
Snap Ring	14291	1
Snap Ring	14317	2
Snap Ring	14750	1
Snap Ring	15253	1
Snap Ring	16763	2
Snap Ring	16980	1
Gasket Kit	K-2199	1
Spring	15918	3
Sliding Clutch	16118	1
Collet	83001	4
Connector	85002	1
Input Shaft	S1409	1

TRK-1765		
Position	Part Number	Qty
Input Shaft Brg.	212SLV	1
Output Shaft Brg.	1212L	1
Countershaft Front Brg.	1309L	2
Countershaft Rear Brg.	1309L	2
Aux. Countershaft Brg.	MU1213UMW3	2
Rev. Idler Gear Brg.	WJ162116	4
Output Shaft Seal Kit	K-2256	1
Snap Ring	14289	1
Snap Ring	15253	4
Snap Ring	16798	3
O-Ring	OK20128	1
Gasket Kit	K-1846	1
Spring	15918	4
Sliding Clutch	18747	1
Sealer	LC54505	1
Threadlocker	TL1	1
Input Shaft	S1661	1

TRK-1766		
Position	Part Number	Qty
Input Shaft Brg.	MSN1212REXW619	1
Input Shaft Pilot Brg.	20702	1
Output Shaft Brg.	MSN1212REXW619	1
Countershaft Front Brg.	MSN1309REXW619	1
Countershaft Rear Brg.	MU1309UV	1
1st, 2nd, 3rd & Rev. Gear Brg.	FW808840	4
4th Gear Brg.	FW687430	1
5th Gear Brg.	F206252	1
Rev. Idler Gear Brg.	F11739	2
Detent Shaft	20770	1
Pin	20772	1
Spring	8774	1
Input Shaft Seal	470625V (1.500x2.250)	1
Output Shaft Seal	415004V (2.750x3.751)	1
Shift Rail Seal	472311V (1.000x1.437)	2
O-Ring	OR123	1
Gasket Set	K-1955	1

¹⁸Models before 1973; use MR5208EL

Heavy Duty Transmission Rebuild Kits

TRK-1850			TRK-1858			TRK-1861		
Position	Part Number	Qty	Position	Part Number	Qty	Position	Part Number	Qty
Input Shaft Brg.	MU1209UGMR	1	Input Shaft Brg.	212SLV	1	Input Shaft Brg.	212SLV	1
Input Shaft Pilot Bushing	BS61	1	Input Shaft Pilot Bushing	BS59 •	1	Input Shaft Pilot Bushing	BS59 •	1
Aux. Drive Gear Brg.	117L	1	Aux. Drive Gear Brg.	5566507	1	Aux. Drive Gear Brg.	5566507	1
Aux. Mainshaft Front Brg.	MU1307V	1	Aux. Mainshaft Brg.	390A Assy 902A2 (A3071)	1	Aux. Mainshaft Brg.	29675 Assy 902A8 (A2892)	1
Aux. Mainshaft Rear Brg.	1212L	1	Countershaft Front Brg.	MSN1211REX	2	Countershaft Front Brg.	MSN1211REX	2
Countershaft Front Brg.	MU1207UGV	2	Countershaft Rear Brg.	MU1308TVWS	2	Countershaft Rear Brg.	MU1308TVWS	2
Countershaft Rear Brg.	MU1306UGV	2	Rev. Idler Gear Brg.	HJ223020-IR1820OH	2	Rev. Idler Gear Brg.	HJ223020-IR1820OH	2
Rev. Idler Gear Brg.	WJ162116	2	Aux. Countershaft Front Brg.	MR1307EL	2	Aux. Countershaft Front Brg.	MR1307EL	2
Aux. Countershaft Front Brg.	MR1206RUGV	2	Aux. Countershaft Rear Brg.	1310L	2	Aux. Countershaft Rear Brg.	1311L	2
Aux. Countershaft Rear Brg.	MR1308TV	2	Spring	14897	3	Spring	14897	3
Spring	14897	3	Output Shaft Seal Kit	K-2256	1	Output Shaft Seal Kit	K-2256	1
Oil Seal	20920 (3.500x4.500)	1	O-Ring Kit	K-1450	1	O-Ring Kit	K-1450	1
Oil Seal	15095	1	Snap Ring	14317	2	Snap Ring	11364	2
O-Ring	OK15092	1	Snap Ring	14750	1	Snap Ring	14317	2
O-Ring	OK15093	1	Snap Ring	16723	2	Snap Ring	14750	1
Snap Ring	14993	1	Snap Ring	16763	2	Snap Ring	16763	2
Snap Ring	15046	1	Gasket Kit	K-2199	1	Gasket Kit	K-2199	1
Snap Ring	15253	1	TRK-1859			TRK-1862		
Snap Ring	15973	1	Position	Part Number	Qty	Position	Part Number	Qty
Snap Ring	15980	1	Input Shaft Brg.	212SLV	1	Input Shaft Brg.	212SLV	1
Snap Ring	15994	1	Input Shaft Pilot Bushing	BS59 •	1	Input Shaft Pilot Bushing	BS59	1
Lock Washer	15748	2	Aux. Drive Gear Brg.	117L	1	Aux. Drive Gear Brg.	5566507	1
Gasket Kit	K-1931	1	Aux. Mainshaft Brg.	29675 Assy 902A8 (A2892)	1	Aux. Mainshaft Brg.	29675 Assy 902A8 (A2892)	1
TRK-1851			Countershaft Front Brg.	MSN1211REX	2	Countershaft Front Brg.	MSN1211REX	2
Position	Part Number	Qty	Countershaft Rear Brg.	MU1308TVWS	2	Countershaft Rear Brg.	MU1308TVWS	2
Input Shaft Brg.	MU1209UGMR	1	Rev. Idler Gear Brg.	HJ223020-IR1820OH	2	Rev. Idler Gear Brg.	HJ223020-IR1820OH	2
Input Shaft Pilot Bushing	BS61	1	Aux. Countershaft Front Brg.	MR1307EL	2	Aux. Countershaft Front Brg.	MU61307GUM	2
Aux. Drive Gear Brg.	117L	1	Aux. Countershaft Rear Brg.	1311L	2	Aux. Countershaft Rear Brg.	1310SLV	2
Aux. Mainshaft Brg.	390A Assy 902A2 (A3071)	1	Input Shaft Nut	CN1 (8997)	1	Aux. Range Shaft Quill Front Brg.	204	1
Countershaft Front Brg.	MU1207UGV	2	Spring	14897	3	Aux. Range Shaft Quill Rear Bushing	BS60	1
Countershaft Rear Brg.	MU1306UGV	2	Output Shaft Seal Kit	K-2256	1	Spring	14897	3
Rev. Idler Gear Brg.	WJ162116	2	O-Ring Kit	K-1450	1	Insert Valve	19974	1
Aux. Countershaft Front Brg.	MU1306UV	2	Snap Ring Set	SR188	1	Output Shaft Seal Kit	K-2256	1
Aux. Countershaft Rear Brg.	1310L	2	Gasket Kit	K-2199	1	O-Ring Kit	K-1447	1
Spring	14897	3	TRK-1860			O-Ring Kit	OK17453	1
Insert Valve	19974	1	Position	Part Number	Qty	Snap Ring Set	SR159	1
Output Shaft Seal Kit	K-2256	1	Input Shaft Brg.	212SLV	1	Gasket Kit	K-2199	1
O-Ring Kit	K-1447	1	Input Shaft Pilot Bushing	BS59 •	1	Threadlocker	TL1	1
Snap Ring Set	SR146	1	Aux. Drive Gear Brg.	117L	1	TRK-1863		
Lock Washer	15748	2	Aux. Mainshaft Brg.	29675 Assy 902A8 (A2892)	1	Position	Part Number	Qty
Gasket Kit	K-2110	1	Countershaft Front Brg.	MSN1211REX	2	Input Shaft Brg.	MU1212RUMW3	1
TRK-1852			Countershaft Rear Brg.	MU1308TVWS	2	Input Shaft Pilot Bushing	BS59	1
Position	Part Number	Qty	Rev. Idler Gear Brg.	HJ223020-IR1820OH	2	Aux. Drive Gear Brg.	5566507	1
Input Shaft Brg.	212SLV	1	Aux. Countershaft Front Brg.	MR1307EL	2	Aux. Mainshaft Brg.	29675 Assy 902A8 (A2892)	1
Input Shaft Pilot Bushing	BS59	1	Aux. Countershaft Rear Brg.	5310WL	2	Countershaft Front Brg.	BS500192SX	2
Output Shaft Front Brg.	5566507	1	Aux. Range Shaft Quill Front Brg.	204	1	Countershaft Rear Brg.	MU1308TVWS	2
Output Shaft Rear Brg.	213	1	Aux. Range Shaft Quill Rear Bushing	BS60	1	Rev. Idler Gear Brg.	HJ223020-IR1820OH	2
Countershaft Front Brg.	MSN1211REX	2	Spring	14897	3	Aux. Countershaft Front Brg.	MR1307EL	2
Countershaft Rear Brg.	MU1308TVWS	2	Output Shaft Seal Kit	K-2256	1	Aux. Countershaft Rear Brg.	5310WL	2
Rev. Idler Gear Brg.	HJ223020-IR1820OH	2	O-Ring Kit	K-1447	1	Aux. Range Shaft Quill Front Brg.	204	1
Input Shaft Nut	14754	1	Snap Ring Set	SR1860	1	Aux. Range Shaft Quill Rear Bushing	BS60	1
Oil Seal	20920 (3.500x4.500)	1	Gasket Kit	K-2199	1	Spring	14897	3
Snap Ring Set	SR1852	1				Output Shaft Seal Kit	K-2256	1
Snap Ring	15011	1				O-Ring Kit	K-1447	1
Gasket Kit	K-1782	1				Snap Ring	14291	1
						Snap Ring	14317	2
						Snap Ring	14750	1
						Snap Ring	16723	2
						Snap Ring	16763	2
						Gasket Kit	K-2199	1

HD Transmission

Heavy Duty Transmission Rebuild Kits



HD Transmission

TRK-1866

Position	Part Number	Qty
Input Shaft Brg.	212SLV	1
Input Shaft Pilot Bushing	BS59 •	1
Aux. Drive Gear Brg.	5566507	1
Aux. Mainshaft Brg.	29675 Assy 902A8 (A2892)	1
Countershaft Front Brg.	1309L	2
Countershaft Rear Brg.	MU1308TVWS	2
Rev. Idler Gear Brg.	HJ223020-IR1820OH	2
Aux. Countershaft Front Brg.	MR1307EL	2
Aux. Countershaft Rear Brg.	1311L	2
Spring	14897	3
Output Shaft Seal Kit	K-2256	1
O-Ring Kit	K-1450	1
O-Ring Kit	OK17453	1
Snap Ring	11364	2
Snap Ring	14289	1
Snap Ring	14317	2
Snap Ring	15253	2
Snap Ring	16763	2
Snap Ring	20085	2
Gasket Kit	K-2199	1

TRK-1867

Position	Part Number	Qty
Input Shaft Brg.	212SLV	1
Input Shaft Pilot Bushing	BS59 •	1
Aux. Drive Gear Brg.	5566507	1
Aux. Mainshaft Brg.	29675 Assy 902A8 (A2892)	1
Countershaft Front Brg.	1309L	2
Countershaft Rear Brg.	MU1308TVWS	2
Rev. Idler Gear Brg.	HJ223020-IR1820OH	2
Aux. Countershaft Front Brg.	MR1307EL	2
Aux. Countershaft Rear Brg.	5310WLB	2
Aux. Range Shaft Quill Front Brg.	204	1
Aux. Range Shaft Quill Rear Bushing	BS60	1
Spring	14897	3
Output Shaft Seal Kit	K-2256	1
O-Ring Kit	K-1447	1
O-Ring Kit	OK17453	1
O-Ring	OR217V	1
O-Ring	OR221V	1
Snap Ring	14289	1
Snap Ring	14291	1
Snap Ring	14317	2
Snap Ring	15253	4
Snap Ring	16763	2
Snap Ring	20085	2
Gasket Kit	K-2199	1

TRK-1870

Position	Part Number	Qty
Input Shaft Brg.	212SLV	1
Input Shaft Pilot Bushing	BS59	1
Aux. Drive Gear Brg.	5566507	1
Aux. Mainshaft Brg.	29675 Assy 902A8 (A2892)	1
Countershaft Front Brg.	BS500192SX	2
Countershaft Rear Brg.	MU1308TVWS	2
Rev. Idler Gear Brg.	HJ223020-IR1820OH	2
Aux. Countershaft Front Brg.	MR1307EL	2
Aux. Countershaft Rear Brg.	1311L	2
Spring	14897	3
Output Shaft Seal Kit	K-2256	1
O-Ring Kit	K-1450	1
O-Ring Kit	OK17453	1
Snap Ring	11364	2
Snap Ring	14317	2
Snap Ring	14750	1
Snap Ring	16763	2
Gasket Kit	K-2199	1

TRK-1871

Position	Part Number	Qty
Input Shaft Brg.	212SLV	1
Input Shaft Pilot Bushing	BS59	1
Aux. Drive Gear Brg.	5566507	1
Aux. Mainshaft Brg.	29675 Assy 902A8 (A2892)	1
Countershaft Front Brg.	BS500192SX	2
Countershaft Rear Brg.	MU1308TVWS	2
Rev. Idler Gear Brg.	HJ223020-IR1820OH	2
Aux. Countershaft Front Brg.	MU61307GUM	2
Aux. Countershaft Rear Brg.	1310SLV	2
Aux. Range Shaft Quill Front Brg.	204	1
Aux. Range Shaft Quill Rear Bushing	BS60	1
Spring	14897	3
Insert Valve	19974	1
Output Shaft Seal Kit	K-2256	1
O-Ring Kit	K-1447	1
O-Ring Kit	OK17453	1
O-Ring	OR217V	1
O-Ring	OR221V	1
Snap Ring	14291	1
Snap Ring	14317	2
Snap Ring	14750	1
Snap Ring	16723	2
Snap Ring	16763	2
Gasket Kit	K-2199	1
Threadlocker	TL1	1

TRK-1872

Position	Part Number	Qty
Input Shaft Brg.	MU1212RUMW3	1
Aux. Drive Gear Brg.	5566507	1
Aux. Mainshaft Brg.	29675 Assy 902A8 (A2892)	1
Countershaft Front Brg.	BS500192SX	2
Countershaft Rear Brg.	MU1308TVWS	2
Rev. Idler Gear Brg.	HJ223020-IR1820OH	2
Aux. Countershaft Front Brg.	MR1307EL	2
Aux. Countershaft Rear Brg.	5310WLB	2
Aux. Range Shaft Quill Front Brg.	204	1
Aux. Range Shaft Quill Rear Bushing	BS60	1
Spring	14897	3
Insert Valve	19974	1
Output Shaft Seal Kit	K-2256	1
O-Ring Kit	K-1447	1
O-Ring Kit	OK17453	1
O-Ring	OR217V	1
O-Ring	OR221V	1
Snap Ring	14291	1
Snap Ring	14317	2
Snap Ring	14750	1
Snap Ring	16723	2
Snap Ring	16763	2
Gasket Kit	K-2199	1
Threadlocker	TL1	1

TRK-1873

Position	Part Number	Qty
Input Shaft Brg.	212SLV	1
Input Shaft Pilot Bushing	BS59	1
Output Shaft Front Brg.	5566507	1
Output Shaft Rear Brg.	213	1
Countershaft Front Brg.	1309L	2
Countershaft Rear Brg.	MU1308TVWS	2
Rev. Idler Gear Brg.	HJ223020-IR1820OH	2
Oil Seal	20920 (3.500x4.500)	1
Snap Ring	14289	1
Snap Ring	15253	2
Snap Ring	16763	1
Snap Ring	20085	2
Input Shaft Nut	14754	1
Gasket Kit	K-1782	1

Heavy Duty Transmission Rebuild Kits

TRK-1874			TRK-1876			TRK-1972		
Position	Part Number	Qty	Position	Part Number	Qty	Position	Part Number	Qty
Input Shaft Brg.	212SLV	1	Input Shaft Brg.	MU1210RUMW72	1	Input Shaft Brg.	212SLV	1
Input Shaft Pilot Bushing	BS59	1	Input Shaft Pilot Bushing	BS61	1	Aux. Drive Gear Brg.	5566507	1
Aux. Drive Gear Brg.	5566507	1	Aux. Drive Gear Brg.	117L	1	Aux. Mainshaft Brg.	29675 Assy 902A8 (A2892)	1
Aux. Mainshaft Brg.	29675 Assy 902A8 (A2892)	1	Aux. Mainshaft Front Brg.	MU1307V	1	Countershaft Front Brg.	BS500192SX	2
Countershaft Front Brg.	BS500192SX	2	Aux. Mainshaft Rear Brg.	212SLV	1	Countershaft Rear Brg.	MU1308TVWS	2
Countershaft Rear Brg.	MU1308TVWS	2	Rev. Idler Gear Brg.	WJ162116	2	Rev. Idler Gear Brg.	HJ223020-IR18200H	2
Rev. Idler Gear Brg.	HJ223020-IR18200H	2	Countershaft Front Brg.	MU1307GUM	2	Aux. Countershaft Front Brg.	MU61307GUM	2
Aux. Countershaft Front Brg.	MU61307GUM	2	Countershaft Rear Brg.	MU1307GUM	2	Aux. Countershaft Rear Brg.	1310SLV	2
Aux. Countershaft Rear Brg.	1310SLV	2	Aux. Countershaft Front Brg.	MR1306RUGVW140	2	Aux. Range Shaft Quill Front Brg.	204	1
Aux. Range Shaft Quill Front Brg.	204	1	Aux. Countershaft Rear Brg.	MU1308UM	2	Aux. Range Shaft Quill Rear Bushing	BS60	1
Aux. Range Shaft Quill Rear Bushing	BS60	1	Spring	14897	3	Spring	14897	3
Spring	14897	3	Oil Seal	15095	1	Insert Valve	19974	1
Insert Valve	19974	1	Oil Seal	20920 (3.500x4.500)	1	Output Shaft Seal Kit	K-2256	1
Output Shaft Seal Kit	K-2256	1	Oil Seal	415991N (3.500x4.501)	1	O-Ring Kit	K-1447	1
Oil Seal	16977 (2.250x3.189)	1	O-Ring Kit	OK15092	1	O-Ring Kit	OK17453	1
O-Ring Kit	K-1447	1	O-Ring Kit	OK15093	1	O-Ring	OR217V	1
O-Ring Kit	OK17453	1	Snap Ring	14993	1	O-Ring	OR221V	1
O-Ring	OR217V	1	Snap Ring	15973	1	Snap Ring	14291	1
O-Ring	OR221V	1	Snap Ring	15994	1	Snap Ring	14317	2
Snap Ring	14291	1	Snap Ring	16723	1	Snap Ring	14750	1
Snap Ring	14317	2	Gasket Kit	K-1931	1	Snap Ring	16723	2
Snap Ring	14750	1	Lock Screw Kit	K-2425	1	Snap Ring	16763	2
Snap Ring	16723	1	TRK-1877			Snap Ring	16763	2
Snap Ring	16763	2	Position	Part Number	Qty	Snap Ring	16980	1
Snap Ring	16980	1	Input Shaft Brg.	212SLV	1	Gasket Kit	K-2199	1
Gasket Kit	K-2199	1	Input Shaft Pilot Bushing	BS59	1	Threadlocker	TL1	1
Threadlocker	TL1	1	Output Shaft Brg.	1212L	1	Spring	15918	3
TRK-1875			Countershaft Front Brg.	1309L	2	Snap Ring	16980	1
Position	Part Number	Qty	Countershaft Rear Brg.	1309L	2	Front Brg. Cover	20550	1
Input Shaft Brg.	MU1212RUMW3	1	Aux. Countershaft Brg.	MU1213UMW3	2	Sliding Clutch	4306648	1
Input Shaft Pilot Bushing	BS59	1	Rev. Idler Gear Brg.	WJ162116	4	Collet	83001	4
Aux. Drive Gear Brg.	5566507	1	Output Shaft Seal Kit	K-2256	1	Connector	84002	2
Aux. Mainshaft Brg.	29675 Assy 902A8 (A2892)	1	Snap Ring	14289	1	Connector	85002	1
Aux. Mainshaft Front Brg.	BS500192SX	1	Snap Ring	15253	4	Sealer	LC54505	1
Aux. Mainshaft Rear Brg.	MU1308TVWS	1	Snap Ring	16798	3	Input Shaft	S1659	1
Rev. Idler Gear Brg.	HJ223020-IR18200H	2	O-Ring	OK20128	1	TRK-1979		
Aux. Countershaft Front Brg.	MR1307EL	2	Gasket Kit	K-1846	1	Position	Part Number	Qty
Aux. Countershaft Rear Brg.	5310WLB	2	TRK-1971			Input Shaft Brg.	MU1212RUMW3	1
Aux. Range Shaft Quill Front Brg.	204	1	Position	Part Number	Qty	Aux. Drive Gear Brg.	5566507	1
Aux. Range Shaft Quill Rear Bushing	BS60	1	Input Shaft Brg.	212SLV	1	Aux. Mainshaft Brg.	29675 Assy 902A8 (A2892)	1
Spring	14897	3	Aux. Drive Gear Brg.	5566507	1	Countershaft Front Brg.	BS500192SX	2
Output Shaft Seal Kit	K-2256	1	Aux. Mainshaft Brg.	29675 Assy 902A8 (A2892)	1	Countershaft Rear Brg.	MU1308TVWS	2
Oil Seal	16977 (2.250x3.189)	1	Countershaft Front Brg.	BS500192SX	2	Rev. Idler Gear Brg.	HJ223020-IR18200H	2
O-Ring Kit	K-1447	1	Countershaft Rear Brg.	MU1308TVWS	2	Aux. Countershaft Front Brg.	MR1307EL	2
O-Ring Kit	OK17453	1	Rev. Idler Gear Brg.	HJ223020-IR18200H	2	Aux. Countershaft Rear Brg.	5310WLB	2
O-Ring	OR217V	1	Aux. Countershaft Front Brg.	MR1307EL	2	Aux. Range Shaft Quill Front Brg.	204	1
O-Ring	OR221V	1	Aux. Countershaft Rear Brg.	1311L	2	Spring	14897	3
Snap Ring	14291	1	Aux. Countershaft Rear Brg.	1311L	2	Insert Valve	19974	1
Snap Ring	14317	2	Spring	14897	3	Output Shaft Seal Kit	K-2256	1
Snap Ring	14750	1	Output Shaft Seal Kit	K-2256	1	O-Ring Kit	K-1447	1
Snap Ring	15253	1	O-Ring Kit	K-1450	1	O-Ring Kit	OK17453	1
Snap Ring	16763	2	O-Ring Kit	OK17453	1	O-Ring	OR217V	1
Snap Ring	16980	1	Snap Ring	11364	2	O-Ring	OR221V	1
Gasket Kit	K-2199	1	Snap Ring	14317	2	Snap Ring	14291	1
			Snap Ring	14750	1	Snap Ring	14317	2
			Snap Ring	16763	2	Snap Ring	14750	1
			Gasket Kit	K-2199	1	Snap Ring	16723	2
			Spring	15918	3	Snap Ring	16763	2
			Front Brg. Cover	20550	1	Snap Ring	16763	2
			Sliding Clutch	4306648	1	Gasket Kit	K-2199	1
			Collet	83001	4	Threadlocker	TL1	1
			Connector	84002	2	Spring	15918	3
			Connector	85002	1	Sliding Clutch	16118	1
			Sealer	LC54505	1	Snap Ring	16980	1
			Input Shaft	S1659	1	Collet	83001	4
						Connector	84002	2
						Connector	85002	1
						Sealer	LC54505	1
						Input Shaft	S1659	1

Heavy Duty Transmission Rebuild Kits



HD Transmission

TRK-1980		
Position	Part Number	Qty
Input Shaft Brg.	212SLV	1
Input Shaft Pilot Bushing	BS59	1
Aux. Drive Gear Brg.	5566507	1
Aux. Mainshaft Brg.	29675 Assy 902A8 (A2892)	1
Countershaft Front Brg.	1309L	2
Countershaft Rear Brg.	MU1308TVWS	2
Rev. Idler Gear Brg.	HJ223020-IR1820OH	2
Aux. Countershaft Front Brg.	MR1307EL	2
Aux. Countershaft Rear Brg.	1311L	2
Spring	14897	3
Output Shaft Seal Kit	K-2256	1
O-Ring Kit	K-1450	1
O-Ring Kit	OK17453	1
Snap Ring	11364	2
Snap Ring	14289	1
Snap Ring	14317	2
Snap Ring	15253	2
Snap Ring	16763	2
Snap Ring	16980	1
Snap Ring	20085	2
Gasket Kit	K-2199	1
Spring	15918	3
Front Brg. Cover	20550	1
Sliding Clutch	14654	1
Collet	83001	4
Connector	84002	1
Connector	85002	1
Input Shaft	S1661	1

TRK-1981		
Position	Part Number	Qty
Input Shaft Brg.	212SLV	1
Input Shaft Pilot Bushing	BS59	1
Aux. Drive Gear Brg.	5566507	1
Aux. Mainshaft Brg.	29675 Assy 902A8 (A2892)	1
Countershaft Front Brg.	1309L	2
Countershaft Rear Brg.	MU1308TVWS	2
Rev. Idler Gear Brg.	HJ223020-IR1820OH	2
Aux. Countershaft Front Brg.	MR1307EL	2
Aux. Countershaft Rear Brg.	5310WLB	2
Aux. Range Shaft Quill Front Brg.	204	1
Aux. Range Shaft Quill Rear Bushing	BS60	1
Spring	14897	3
Output Shaft Seal Kit	K-2256	1
O-Ring Kit	K-1447	1
O-Ring Kit	OK17453	1
O-Ring	OR217V	1
O-Ring	OR221V	1
Snap Ring	14289	1
Snap Ring	14291	1
Snap Ring	14317	2
Snap Ring	15253	4
Snap Ring	16763	2
Snap Ring	16980	1
Snap Ring	20085	2
Gasket Kit	K-2199	1
Spring	15918	3
Front Brg. Cover	20550	1
Sliding Clutch	14654	1
Collet	83001	4
Connector	84002	1
Connector	85002	1
Input Shaft	S1661	1

TRK-1982		
Position	Part Number	Qty
Input Shaft Brg.	212SLV	1
Output Shaft Brg.	214LB	1
Countershaft Front Brg.	1309L	2
Countershaft Rear Brg.	1309L	2
Aux. Countershaft Brg.	MU1213UMW3	2
Rev. Idler Gear Brg.	WJ162116	4
Output Shaft Seal Kit	K-2262	1
Snap Ring	14289	1
Snap Ring	15253	4
Snap Ring	16798	3
Snap Ring	16980	1
O-Ring	OK20128	2
Gasket Kit	K-1846	1
Sliding Clutch	18747	1
Front Brg. Cover	20550	1
Sealer	LC54505	1
Input Shaft	S1661	1

TRK-1984		
Position	Part Number	Qty
Input Shaft Brg.	212SLV	1
Output Shaft Front Brg.	5566507	1
Output Shaft Rear Brg.	213	1
Countershaft Front Brg.	1309L	2
Countershaft Rear Brg.	MU1308TVWS	2
Rev. Idler Gear Brg.	HJ223020-IR1820OH	2
Oil Seal	20920 (3.500x4.500)	1
Snap Ring	14289	1
Snap Ring	15253	2
Snap Ring	16763	1
Snap Ring	16980	1
Snap Ring	20085	2
Input Shaft Nut	14754	1
Gasket Kit	K-1782	1
Sliding Clutch	14654	1
Nut	14754	1
Front Brg. Cover	20550	1
Input Shaft	S1661	1

TRK-1986		
Position	Part Number	Qty
Input Shaft Brg.	212SLV	1
Aux. Drive Gear Brg.	5566507	1
Aux. Mainshaft Bushing	AA1512-12	2
Aux. Mainshaft Brg.	21356	1
Countershaft Front Brg.	1309L	2
Countershaft Rear Brg.	MU1308TVWS	2
Rev. Idler Gear Brg.	HJ223020-IR1820OH	2
Aux. Countershaft Front Brg.	4302074	2
Aux. Countershaft Rear Brg.	4302074	2
Snap Ring Retainer	21320	1
Spring	14897	3
Insert Valve	19974	1
Output Shaft Seal Kit	K-2262	1
O-Ring Kit	K-2054	1
Snap Ring	14289	1
Snap Ring	14317	2
Snap Ring	15253	2
Snap Ring	16763	2
Snap Ring	20085	2
Shim Kit	K-2805	1
Gasket Kit	K-2061	1
Sliding Clutch	14654	1
Spring	15918	3
Snap Ring	16980	1
Collet	83002	4
Connector	84004	1
Connector	85001	1
Sealer	LC54505	1
Input Shaft	S1661	1

TRK-1991		
Position	Part Number	Qty
Input Shaft Brg.	MU1212RUMW3	1
Aux. Drive Gear Brg.	5566507	1
Aux. Mainshaft Bushing	AA1512-12	2
Aux. Mainshaft Brg.	21356	1
Countershaft Front Brg.	BS500192SX	2
Countershaft Rear Brg.	MU1308TVWS	2
Rev. Idler Gear Brg.	HJ223020-IR1820OH	2
Aux. Countershaft Front Brg.	4302074	2
Aux. Countershaft Rear Brg.	4302074	2
Spring	14897	3
Insert Valve	19974	1
Output Shaft Seal Kit	K-2262	1
O-Ring Kit	K-2054	1
Snap Ring	14317	2
Snap Ring	14750	1
Snap Ring	16763	2
Shim Kit	K-2805	1
Gasket Kit	K-2061	1
Spring	15918	3
Sliding Clutch	16118	1
Snap Ring	16980	1
Collet	83002	4
Connector	84004	2
Connector	85001	1
Sealer	LC54505	1
Input Shaft	S1659	1

TRK-1992		
Position	Part Number	Qty
Input Shaft Brg.	MU1212RUMW3	1
Aux. Drive Gear Brg.	5566507	1
Aux. Mainshaft Bushing	AA1512-12	2
Aux. Mainshaft Brg.	21356	1
Countershaft Front Brg.	BS500192SX	2
Countershaft Rear Brg.	MU1308TVWS	2
Rev. Idler Gear Brg.	HJ223020-IR1820OH	2
Aux. Countershaft Front Brg.	4302074	2
Aux. Countershaft Rear Brg.	4302074	2
Spring	14897	3
Insert Valve	19974	1
Output Shaft Seal Kit	K-2262	1
O-Ring Kit	K-2054	1
Snap Ring	14317	2
Snap Ring	14750	1
Snap Ring	16763	2
Shim Kit	K-2805	1
Gasket Kit	K-2061	1
Spring	15918	3
Snap Ring	16980	1
Sliding Clutch	4304317	1
Collet	83002	4
Connector	84004	2
Connector	85001	1
Sealer	LC54505	1
Input Shaft	S1659	1

TRK-1993		
Position	Part Number	Qty
Aux. Mainshaft Brg.	29675 Assy 902A8 (A2892)	1
Aux. Countershaft Front Brg.	MU61307GUM	2
Aux. Countershaft Rear Brg.	1310SLV	2
Insert Valve	19974	1
Connector	85001	1
Spring	14897	3
Gasket Kit	K-1603	1
Output Shaft Seal Kit	K-2262	1
O-Ring Kit	K-2002	1

Heavy Duty Transmission Rebuild Kits



TRK-1995			TRK-1999			TRK-2045		
Position	Part Number	Qty	Position	Part Number	Qty	Position	Part Number	Qty
Input Shaft Brg.	MU1210RUMW772	1	Input Shaft Brg.	212SLV	1	Input Shaft Brg.	212SLV	1
Aux. Drive Gear Brg.	117L	1	Aux. Drive Gear Brg.	5566507	1	Input Shaft Pilot Bushing	BS59	1
Aux. Mainshaft Brg.	390A Assy 902A2 (A3071)	1	Aux. Mainshaft Brg.	21356	1	Aux. Drive Gear Brg.	5566507	1
Countershaft Front Brg.	MU1307GUM	2	Countershaft Front Brg.	BS500192SX	2	Aux. Mainshaft Bushing	AA1512-12	2
Countershaft Rear Brg.	MU1307GUM	2	Countershaft Rear Brg.	MU1308TVWS	2	Aux. Mainshaft Brg.	21356	1
Rev. Idler Gear Brg.	WJ162116	2	Rev. Idler Gear Brg.	HJ223020-IR1820OH	2	Countershaft Front Brg.	1309L	2
Aux. Countershaft Front Brg.	MR1306UVW745	2	Aux. Countershaft Front Brg.	4302074	2	Countershaft Rear Brg.	MU1308TVWS	2
Aux. Countershaft Rear Brg.	1310L	2	Aux. Countershaft Rear Brg.	4302074	2	Rev. Idler Gear Brg.	HJ223020-IR1820OH	2
Range Shaft Quill Front Brg.	204	1	Spring	14897	3	Aux. Countershaft Front Brg.	4302074	2
Range Shaft Quill Rear Bushing	BS60	1	Output Shaft Seal Kit	K-2262	1	Aux. Countershaft Rear Brg.	4302074	2
Spring	14897	3	O-Ring Kit	K-1450	1	Snap Ring Retainer	21320	1
Insert Valve	19974	1	Snap Ring	14317	2	Spring	14897	3
Output Shaft Seal Kit	K-2256	1	Snap Ring	14750	1	Insert Valve	19974	1
O-Ring Kit	K-2002	1	Snap Ring	16763	2	Output Shaft Seal Kit	K-2262	1
Snap Ring	14291	1	Snap Ring	16980	1	O-Ring Kit	K-2054	1
Snap Ring	14993	1	Snap Ring	K-2805	1	Snap Ring	14289	1
Snap Ring	15973	1	Shim Kit	K-2061	1	Snap Ring	14317	2
Snap Ring	15980	1	Gasket Kit	K-2061	1	Snap Ring	15253	2
Snap Ring	16723	2	Spring	15918	3	Snap Ring	16763	2
Lock Screw Kit	K-2425	1	Sliding Clutch	4306647	1	Snap Ring	16763	2
Gasket Kit	K-2110	1	Collet	83001	4	Snap Ring	20085	2
Spring	1064	3	Connector	84002	1	Shim Kit	K-2805	1
Snap Ring	15980	1	Connector	85002	1	Gasket Kit	K-2061	1
Sliding Clutch	21662	1	Sealer	LC54505	1	TRK-2047		
Input Shaft	A5022	1	Input Shaft	S1659	1	Position	Part Number	Qty
Sealer	LC54505	1	TRK-2041			Input Shaft Brg.	MU1210RUMW772	1
TRK-1996			Position	Part Number	Qty	Input Shaft Pilot Bushing	BS61	1
Position	Part Number	Qty	Input Shaft Brg.	39590-39520	1	Aux. Drive Gear Brg.	117L	1
Input Shaft Brg.	212SLV	1	Mainshaft Pilot Brg.	31594	1	Aux. Mainshaft Brg.	390A Assy 902A2 (A3071)	1
Aux. Drive Gear Brg.	5566507	1	Output Shaft Brg.	45284-45220	1	Countershaft Front Brg.	MU1307GUM	2
Aux. Mainshaft Brg.	21355	1	Countershaft Front Brg.	25590-25522	1	Countershaft Rear Brg.	MU1307GUM	2
Countershaft Front Brg.	BS500192SX	2	Countershaft Rear Brg.	3782-3720	1	Rev. Idler Gear Brg.	WJ162116	2
Countershaft Rear Brg.	MU1308TVWS	2	1st, 2nd & Rev. Gear Brg.	FW707620	6	Aux. Countershaft Front Brg.	MR1306UVW745	2
Rev. Idler Gear Brg.	HJ223020-IR1820OH	2	3rd Gear Brg.	FW657020	2	Aux. Countershaft Rear Brg.	1310L	2
Aux. Countershaft Front Brg.	4302074	2	4th Gear Brg.	FW556020	2	Range Shaft Quill Front Brg.	204	1
Aux. Countershaft Rear Brg.	4302074	2	5th Gear Brg.	FW505520	2	Range Shaft Quill Rear Bushing	BS60	1
Spring	14897	3	Rev. Idler Gear Brg.	FW404820	2	Spring	14897	3
Output Shaft Seal Kit	K-2262	1	Countershaft Plug	3315679	1	Insert Valve	19974	1
O-Ring Kit	K-1450	1	Spring	3315765	4	Output Shaft Seal Kit	K-2256	1
Snap Ring	14317	2	Snap Ring	3313798	1	O-Ring Kit	K-2002	1
Snap Ring	14750	1	Snap Ring	3315686	1	Snap Ring	14291	1
Snap Ring	16763	2	Snap Ring	3315725	1	Snap Ring	14993	1
Snap Ring	16980	1	Input Shaft Seal	710211 (1.875x2.677)	1	Snap Ring	15973	1
Gasket Kit	K-2061	1	Output Shaft Seal	4300119	1	Snap Ring	15980	1
Spring	15918	3	Shim Kit	K-2183	1	Snap Ring	16723	2
Sliding Clutch	4306648	1	Gasket Set	K-2181	1	Lock Screw Kit	K-2425	1
Collet	83001	4	TRK-2043			Gasket Kit	K-2110	1
Connector	84002	1	Position	Part Number	Qty			
Connector	85002	1	Input Shaft Brg.	MU1212RUMW3	1			
Input Shaft	S1659	1	Input Shaft Pilot Bushing	BS59	1			
			Aux. Drive Gear Brg.	5566507	1			
			Aux. Mainshaft Bushing	AA1512-12	2			
			Aux. Mainshaft Brg.	21356	1			
			Countershaft Front Brg.	BS500192SX	2			
			Countershaft Rear Brg.	MU1308TVWS	2			
			Rev. Idler Gear Brg.	HJ223020-IR1820OH	2			
			Aux. Countershaft Front Brg.	4302074	2			
			Aux. Countershaft Rear Brg.	4302074	2			
			Spring	14897	3			
			Insert Valve	19974	1			
			Output Shaft Seal Kit	K-2262	1			
			O-Ring Kit	K-2054	1			
			Snap Ring	14317	2			
			Snap Ring	14750	1			
			Snap Ring	16763	2			
			Shim Kit	K-2805	1			
			Gasket Kit	K-2061	1			

HD Transmission

Heavy Duty Transmission Rebuild Kits



HD Transmission

TRK-2048		
Position	Part Number	Qty
Input Shaft Brg.	MU1209UGMR	1
Input Shaft Pilot Bushing	BS61	1
Mainshaft Rear Brg.	117L	1
Aux. Mainshaft Pilot Brg.	MU1307V	1
Aux. Mainshaft Rear Brg	MU1212RUMW3	1
Countershaft Front Brg.	MU1306UGV	2
Countershaft Rear Brg.	MU1306UGV	2
Rev. Idler Gear Brg.	WJ162116	2
Aux. Countershaft Front Brg.	MR1206RUGV	2
Aux. Countershaft Rear Brg.	MR1308TV	2
Spring	14897	3
Oil Seal	20920 (3.500x4.500)	1
Oil Seal	15095	1
O-Ring	OK15092	1
O-Ring	OK15093	1
O-Ring	OR016V	1
Snap Ring	14993	1
Snap Ring	15253	1
Snap Ring	15973	1
Snap Ring	15980	1
Snap Ring	15994	1
Lock Washer	15748	2
Silicone Lubricant	SL1	1
Gasket Kit	K-1931	1

TRK-2049		
Position	Part Number	Qty
Input Shaft Brg.	212SLV	1
Input Shaft Pilot Bushing	BS59	1
Aux. Drive Gear Brg.	5566507	1
Aux. Mainshaft Brg.	21355	1
Countershaft Front Brg.	BS500192SX	2
Countershaft Rear Brg.	MU1308TVWS	2
Rev. Idler Gear Brg.	HJ223020-IR1820OH	2
Aux. Countershaft Front Brg.	4302074	2
Aux. Countershaft Rear Brg.	4302074	2
Spring	14897	3
Output Shaft Seal Kit	K-2262	1
O-Ring Kit	K-1450	1
Snap Ring	14317	1
Snap Ring	14750	2
Snap Ring	16763	2
Snap Ring	16980	1
Gasket Kit	K-2061	1

TRK-2120		
Position	Part Number	Qty
Input Shaft Brg.	M802048-M802011	1
Input Shaft Pilot Brg.	QBR49845	1
Output Shaft Brg.	25581-25520	1
Countershaft Front Brg.	25877-25821	1
Countershaft Rear Brg.	2689-2631	1
Rev. Idler Gear Brg.	QA48181A	1
Mainshaft 1st & 2nd Gear Brg.	F94490	2
Mainshaft 3rd & Rev. Gear Brg.	F84003	2
Mainshaft 4th Gear Brg.	F94488	1
4th & 5th Shift Hub Brg.	FA35688	1
4th & 5th Shift Hub Race	TR235383	1
Input Shaft Seal	473010N (1.625x2.502)	1
Output Shaft Seal	471271 (2.500x3.251)	1
Output Shaft Seal	712512 (2.250x3.252)	1
Threadlocker	TL1	1
Gasket Set	K-2143	1

TRK-2121		
Position	Part Number	Qty
Input Shaft Brg.	M802048-M802011	1
Input Shaft Pilot Brg.	QBR49845	1
Output Shaft Brg.	28580A-28527RB	1
Countershaft Front & Rear Brg.	25590-25520	2
4th & 5th Shift Hub Brg.	FA35688	1
4th & 5th Shift Hub Race	TR235383	1
Mainshaft 1st Gear Brg.	QA48181A	2
Mainshaft 2nd, 3rd & Rev. Gear Brg.	F94490	3
Mainshaft 4th Gear Brg.	F94488	1
Rev. Idler Gear Brg.	QA47838	1
Input Shaft Seal	473010N (1.625x2.502)	1
Output Shaft Seal	4300119	1
Output Shaft Seal	485364N (2.750x3.500)	1
Snap Ring	226331	1
Threadlocker	TL1	1
Gasket Set	K-2085	1

TRK-2122		
Position	Part Number	Qty
Input Shaft Brg.	M802048-M802011	1
Input Shaft Pilot Brg.	QBR49845	1
Output Shaft Brg.	25584-25547RB	1
Countershaft Front & Rear Brg.	25590-25520	2
4th & 5th Shift Hub Brg.	FA35688	1
4th & 5th Shift Hub Race	TR235383	1
Mainshaft 1st Gear Brg.	QA48181A	2
Mainshaft 2nd, 3rd & Rev. Gear Brg.	F94490	3
Mainshaft 4th Gear Brg.	F94488	1
Rev. Idler Gear Brg.	QA47838	1
Input Shaft Seal	473010N (1.625x2.502)	1
Output Shaft Seal	712512 (2.250x3.252)	1
Snap Ring	226331	1
Threadlocker	TL1	1
Gasket Set	K-2085	1

TRK-2123		
Position	Part Number	Qty
Input Shaft Brg.	M804049-M804010	1
Input Shaft Pilot Brg.	QBR49845	1
Output Shaft Brg.	28580A-28527RB	1
Countershaft Front & Rear Brg.	25590-25520	2
4th & 5th Shift Hub Brg.	FA35688	1
4th & 5th Shift Hub Race	TR235383	1
Mainshaft 1st Gear Brg.	QA48181A	2
Mainshaft 2nd, 3rd & Rev. Gear Brg.	F94490	3
Mainshaft 4th Gear Brg.	F94488	1
Rev. Idler Gear Brg.	QA47838	1
Snap Ring	226331	1
Input Shaft Seal	4300204 (1.875x2.502)	1
Input Shaft Seal	710211 (1.875x2.677)	1
Output Shaft Seal	411143N (2.625x3.251)	1
Output Shaft Seal	485364N (2.750x3.500)	1
Output Shaft Seal	4300119	1
Snap Ring	226331	1
Threadlocker	TL1	1
Gasket Set	K-2085	1

TRK-2124		
Position	Part Number	Qty
Input Shaft Brg.	M802048-M802011	1
Input Shaft Pilot Brg.	QBR49845	1
Output Shaft Brg.	28580A-28527RB	1
Countershaft Front Brg.	DD46386	1
Countershaft Rear Brg.	MU1309UGM	1
Rev. Idler Gear Brg.	QA47838	1
Mainshaft Gear Brg.	QA48181A	2
4th & 5th Shift Hub Brg.	FA35688	1
4th & 5th Shift Hub Race	TR235383	1
Mainshaft 2nd, 3rd & Rev. Gear Brg.	F94490	3
Mainshaft 4th Gear Brg.	F94488	1
Input Shaft Seal	473010N (1.625x2.502)	1
Output Shaft Seal	411143N (2.625x3.251)	1
Output Shaft Seal	416664 (2.750x3.500)	1
Output Shaft Seal	471271 (2.500x3.251)	1
Output Shaft Seal	475322N (2.750x3.543)	1
Threadlocker	TL1	1
Gasket Set	K-2085	1

TRK-2125		
Position	Part Number	Qty
Input Shaft Brg.	M804049-M804010	1
Input Shaft Pilot Brg.	QBR49845	1
Output Shaft Brg.	28580A-28527RB	1
Countershaft Front Brg.	DD46386	1
Countershaft Rear Brg.	MU1309UGM	1
Rev. Idler Gear Brg.	QA47838	1
Mainshaft Gear Brg.	QA48181A	2
4th & 5th Shift Hub Brg.	FA35688	1
4th & 5th Shift Hub Race	TR235383	1
Mainshaft 2nd, 3rd & Rev. Gear Brg.	F94490	3
Mainshaft 4th Gear Brg.	F94488	1
Input Shaft Seal	482041N (1.875x2.502)	1
Output Shaft Seal	411143N (2.625x3.251)	1
Output Shaft Seal	4300119	1
Threadlocker	TL1	1
Gasket Set	K-2085	1

TRK-2126		
Position	Part Number	Qty
Input Shaft Brg.	M802048-M802011	1
Input Shaft Pilot Brg.	QBR49845	1
Output Shaft Brg.	25584-25547RB	1
Countershaft Front Brg.	DD46386	1
Countershaft Rear Brg.	MU1309UGM	1
Rev. Idler Gear Brg.	QA47838	1
Mainshaft Gear Brg.	QA48181A	2
4th & 5th Shift Hub Brg.	FA35688	1
4th & 5th Shift Hub Race	TR235383	1
Mainshaft 2nd, 3rd & Rev. Gear Brg.	F94490	3
Mainshaft 4th Gear Brg.	F94488	1
Input Shaft Seal	473010N (1.625x2.502)	1
Output Shaft Seal	416664 (2.750x3.500)	1
Output Shaft Seal	471271 (2.500x3.251)	1
Threadlocker	TL1	1
Gasket Set	K-2085	1

TRK-2127		
Position	Part Number	Qty
Input Shaft Brg.	N309L	1
Input Shaft Pilot Brg.	SRA5304	1
Output Shaft Brg.	N309L	1
Countershaft Front Brg.	M28161	1
Countershaft Rear Brg.	N309L	1
Rev. Idler Gear Brg.	F54970	2
Input Shaft Seal	472164 (1.750x2.502)	1
Output Shaft Seal	471271 (2.500x3.251)	1
Output Shaft Seal	450316 (2.250x3.251)	1
Output Shaft Seal	411143N (2.625x3.251)	1
Output Shaft Seal	471271 (2.500x3.251)	1
Gasket Set	K-2136	1

Heavy Duty Transmission Rebuild Kits



TRK-2128			TRK-2131			TRK-2280		
Position	Part Number	Qty	Position	Part Number	Qty	Position	Part Number	Qty
Input Shaft Brg.	M802048-M802011	1	Input Shaft Brg.	39590-39520	1	Input Shaft Brg.	212SLV	1
Input Shaft Pilot Brg.	QBR49845	1	Input Shaft Pilot Brg.	31594	1	Input Shaft Pilot Bushing	BS59	1
Output Shaft Brg.	25584-25547RB	1	Output Shaft Brg.	45284-45220	1	Aux. Drive Gear Brg.	5566507	1
Countershaft Front Brg.	M28161	1	Countershaft Front Brg.	25590-25522	1	Aux. Mainshaft Brg.	29675 Assy 902A8 (A2892)	1
Countershaft Rear Brg.	MU1309SGNV	1	Countershaft Rear Brg.	3782-3720	1	Countershaft Front Brg.	BS500192SX	2
Rev. Idler Gear Brg.	J361644	2	1st & Rev. Gear Brg.	FW707620	4	Countershaft Rear Brg.	MU1308TVWS	2
4th & 5th Shift Hub Brg.	FA35688	1	2nd Gear Brg.	FW657020	2	Rev. Idler Gear Brg.	HJ223020-IR1820OH	2
4th & 5th Shift Hub Race	TR235383	1	3rd Gear Brg.	FW556020	2	Range Shaft Quill Front Brg.	204	1
Input Shaft Seal	473010N (1.625x2.502)	1	4th Gear Brg.	FW505520	2	Range Shaft Quill Rear Bushing	BS60	1
Output Shaft Seal	471271 (2.500x3.251)	1	Rev. Idler Gear Brg.	FW404820	2	Aux. Countershaft Front Brg.	4302074	2
Output Shaft Seal	482041N (1.875x2.502)	1	Countershaft Plug	3315679	1	Aux. Countershaft Rear Brg.	4302074	2
Output Shaft Seal	411143N (2.625x3.251)	1	Spring	3315765	4	Spring	14897	3
Output Shaft Seal	471271 (2.500x3.251)	1	Snap Ring	3313798	1	Insert Valve	19974	1
Gasket Set	K-2138	1	Snap Ring	3315686	1	Output Shaft Seal Kit	K-2262	1
TRK-2129			TRK-2275			TRK-2281		
Position	Part Number	Qty	Position	Part Number	Qty	Position	Part Number	Qty
Input Shaft Brg.	M804049-M804010	1	Input Shaft Brg.	212SLV	1	Input Shaft Brg.	212SLV	1
Input Shaft Pilot Brg.	QBR49845	1	Input Shaft Pilot Bushing	BS59	1	Input Shaft Pilot Bushing	BS59	1
Output Shaft Brg.	25581-25520	1	Aux. Drive Gear Brg.	5566507	1	Aux. Drive Gear Brg.	118L	1
Countershaft Front Brg.	25877-25821	1	Aux. Mainshaft Brg.	21356	1	Aux. Mainshaft Brg.	390A Assy 902A2 (A3071)	1
Countershaft Rear Brg.	2689-2631	1	Countershaft Front Brg.	BS500192SX	2	Countershaft Front Brg.	BS500192SX	2
4th & 5th Shift Hub Brg.	FA35688	1	Countershaft Rear Brg.	MU1308TVWS	2	Countershaft Front Retainer	4304605	2
4th & 5th Shift Hub Race	TR235383	1	Rev. Idler Gear Brg.	HJ223020-IR1820OH	2	Countershaft Rear Brg.	MU1308TVWS	2
Rev. Idler Gear Brg.	QA48181A	1	Aux. Countershaft Front Brg.	4302074	2	Rev. Idler Gear Brg.	HJ223020-IR1820OH	2
Mainshaft 1st & 2nd Gear Brg.	F94490	2	Aux. Countershaft Rear Brg.	4302074	2	Range Shaft Quill Front Brg.	204	1
Mainshaft 3rd & Rev. Gear Brg.	F84003	2	Spring	14897	3	Range Shaft Quill Rear Bushing	BS60	1
Mainshaft 4th Gear Brg.	F94488	1	Output Shaft Seal Kit	K-2262	1	Aux. Countershaft Front Brg.	4302074	2
Input Shaft Seal	710211 (1.875x2.677)	1	O-Ring Kit	K-1450	1	Aux. Countershaft Rear Brg.	4302074	2
Output Shaft Seal	471271 (2.500x3.251)	1	Snap Ring	14317	2	Spring	14897	3
Output Shaft Seal	712512 (2.250x3.252)	1	Snap Ring	14750	1	Insert Valve	19974	1
Gasket Set	K2143	1	Snap Ring	16763	2	Output Shaft Seal Kit	K-2262	1
Threadlocker	TL1	1	Snap Ring	16980	1	O-Ring Kit	K-1447	1
TRK-2130			TRK-2277			TRK-2281		
Position	Part Number	Qty	Position	Part Number	Qty	Position	Part Number	Qty
Input Shaft Brg.	39590-39520	1	Input Shaft Brg.	212SLV	1	Input Shaft Brg.	212SLV	1
Input Shaft Pilot Brg.	31594	1	Input Shaft Pilot Bushing	BS59	1	Input Shaft Pilot Bushing	BS59	1
Output Shaft Brg.	45284-45220	1	Aux. Drive Gear Brg.	5566507	1	Aux. Drive Gear Brg.	118L	1
Countershaft Front Brg.	25590-25522	1	Aux. Mainshaft Brg.	21356	1	Aux. Mainshaft Brg.	390A Assy 902A2 (A3071)	1
Countershaft Rear Brg.	3782-3720	1	Countershaft Front Brg.	BS500192SX	2	Countershaft Front Brg.	BS500192SX	2
1st, 2nd, 3rd & Rev. Gear Brg.	FW608840	4	Countershaft Rear Brg.	MU1308TVWS	2	Countershaft Front Retainer	4304605	2
4th Gear Brg.	FW687430	1	Rev. Idler Gear Brg.	HJ223020-IR1820OH	2	Countershaft Rear Brg.	MU1308TVWS	2
5th Gear Brg.	F206252	1	Aux. Countershaft Front Brg.	4302074	2	Rev. Idler Gear Brg.	HJ223020-IR1820OH	2
Rev. Idler Gear Brg.	F11739	2	Aux. Countershaft Rear Brg.	4302074	2	Range Shaft Quill Front Brg.	204	1
Countershaft Plug	3315679	1	Spring	14897	3	Range Shaft Quill Rear Bushing	BS60	1
Spring	1064	4	Output Shaft Seal Kit	K-2262	1	Aux. Countershaft Front Brg.	4302074	2
Snap Ring	20712	1	O-Ring Kit	K-1450	1	Aux. Countershaft Rear Brg.	4302074	2
Snap Ring	3313798	1	Snap Ring	14317	2	Spring	14897	3
Snap Ring	3315686	1	Snap Ring	14750	1	Insert Valve	19974	1
Rev. Idler O-Ring	OR123	1	Snap Ring	16763	2	Output Shaft Seal Kit	K-2262	1
Input Shaft Seal	22329	1	Snap Ring	16980	1	O-Ring Kit	K-1447	1
Input Shaft Seal	4300119	1	Shim Kit	K-2805	1	O-Ring Kit	OK1000V	1
Output Shaft Seal	4300119	1	Gasket Kit	K-2061	1	O-Ring Kit	OK17453	1
Shim Kit	K-2183	1	TRK-2277			O-Ring	OR217V	1
Gasket Set	K-2181	1	Position	Part Number	Qty	O-Ring	OR221V	1
			Input Shaft Brg.	212SLV	1	Snap Ring	14291	1
			Input Shaft Pilot Bushing	BS59	1	Snap Ring	14317	2
			Aux. Drive Gear Brg.	5566507	1	Snap Ring	14750	1
			Aux. Mainshaft Brg.	21356	1	Snap Ring	16763	2
			Countershaft Front Brg.	BS500192SX	2	Snap Ring	16980	1
			Countershaft Rear Brg.	MU1308TVWS	2	Shim Kit	K-2430	1
			Rev. Idler Gear Brg.	HJ223020-IR1820OH	2	Gasket Kit	K-2199	1
			Aux. Countershaft Front Brg.	4302074	2			
			Aux. Countershaft Rear Brg.	4302074	2			
			Spring	14897	3			
			Output Shaft Seal Kit	K-2262	1			
			O-Ring Kit	K-1450	1			
			Snap Ring	14317	2			
			Snap Ring	14750	1			
			Snap Ring	16763	2			
			Shim Kit	K-2805	1			
			Gasket Kit	K-2061	1			

HD Transmission

Heavy Duty Transmission Rebuild Kits



HD Transmission

TRK-2282		
Position	Part Number	Qty
Input Shaft Brg.	212SLV	1
Input Shaft Pilot Bushing	BS59	1
Aux. Drive Gear Brg.	5566507	1
Aux. Mainshaft Brg.	390A Assy 902A2 (A3071)	1
Countershaft Front Brg.	BS500192SX	2
Countershaft Rear Brg.	MU1308TVWS	2
Rev. Idler Gear Brg.	HJ223020-IR1820OH	2
Aux. Countershaft Front Brg.	MR1307EL	2
Aux. Countershaft Rear Brg.	1310SLV	2
Spring	14897	3
Output Shaft Seal Kit	K-2262	1
O-Ring Kit	K-1450	1
O-Ring Kit	OK17453	1
Snap Ring	14317	2
Snap Ring	14750	1
Snap Ring	16723	2
Snap Ring	16763	2
Gasket Kit	K-2199	1

TRK-2283		
Position	Part Number	Qty
Input Shaft Brg.	212SLV	1
Input Shaft Pilot Bushing	BS59	1
Aux. Drive Gear Brg.	5566507	1
Aux. Mainshaft Brg.	390A Assy 902A2 (A3071)	1
Countershaft Front Brg.	BS500192SX	2
Countershaft Front Retainer	4304605	2
Countershaft Rear Brg.	MU1308TVWS	2
Rev. Idler Gear Brg.	HJ223020-IR1820OH	2
Range Shaft Quill Front Brg.	204	1
Range Shaft Quill Rear Bushing	BS60	1
Aux. Countershaft Front Brg.	MR1307EL	2
Aux. Countershaft Rear Brg.	1310L	2
Spring	14897	3
Insert Valve	19974	1
Output Shaft Seal Kit	K-2256	1
O-Ring Kit	K-1447	1
O-Ring Kit	OK17453	1
O-Ring	OR217V	1
O-Ring	OR221V	1
Snap Ring	14291	1
Snap Ring	14317	2
Snap Ring	14750	1
Snap Ring	16723	2
Snap Ring	16763	2
Gasket Kit	K-2199	1

TRK-2284		
Position	Part Number	Qty
Input Shaft Brg.	212SLV	1
Input Shaft Pilot Bushing	BS59	1
Aux. Drive Gear Brg.	5566507	1
Aux. Mainshaft Brg.	21355	1
Countershaft Front Brg.	BS500192SX	2
Countershaft Rear Brg.	MU1308TVWS	2
Rev. Idler Gear Brg.	HJ223020-IR1820OH	2
Aux. Countershaft Front Brg.	4302074	2
Aux. Countershaft Rear Brg.	4302074	2
Retainer Assembly	4304605	2
Spring	14897	3
Insert Valve	19974	1
Output Shaft Seal Kit	K-2262	1
O-Ring Kit	K-2054	1
Snap Ring	14317	2
Snap Ring	14750	1
Snap Ring	16763	2
Snap Ring	16980	1
Snap Ring Retainer	21320	1
Shim Kit	K-2805	1
Gasket Kit	K-2061	1

TRK-2285		
Position	Part Number	Qty
Input Shaft Brg.	212SLV	1
Input Shaft Pilot Bushing	BS59	1
Aux. Drive Gear Brg.	5566508	1
Aux. Mainshaft Brg.	21355	1
Countershaft Front Brg.	BS500192SX	2
Countershaft Rear Brg.	MU1308TVWS	2
Rev. Idler Gear Brg.	HJ223020-IR1820OH	2
Aux. Countershaft Front Brg.	4302074	2
Aux. Countershaft Rear Brg.	4302074	2
Spring	14897	3
Insert Valve	19974	1
Output Shaft Seal Kit	K-2262	1
O-Ring Kit	K-2804	1
Snap Ring	14317	2
Snap Ring	14750	1
Snap Ring	16980	1
Snap Ring	4301254	2
Shim Kit	K-2805	1
Gasket Kit	K-2199	1

TRK-2286		
Position	Part Number	Qty
Input Shaft Brg.	212SLV	1
Input Shaft Pilot Bushing	BS59	1
Aux. Drive Gear Brg.	5566508	1
Aux. Mainshaft Brg.	21356	1
Countershaft Front Brg.	BS500192SX	2
Countershaft Rear Brg.	MU1308TVWS	2
Rev. Idler Gear Brg.	HJ223020-IR1820OH	2
Aux. Countershaft Front Brg.	4302074	2
Aux. Countershaft Rear Brg.	4302074	2
Spring	14897	3
Insert Valve	19974	1
Output Shaft Seal Kit	K-2262	1
O-Ring Kit	K-2804	1
Snap Ring	14317	2
Snap Ring	14750	1
Snap Ring	16980	1
Snap Ring	4301254	2
Shim Kit	K-2805	1
Gasket Kit	K-2199	1

TRK-2287		
Position	Part Number	Qty
Input Shaft Brg.	212SLV	1
Input Shaft Pilot Bushing	BS59	1
Aux. Drive Gear Brg.	5566508	1
Aux. Mainshaft Brg.	21356	1
Countershaft Front Brg.	BS500192SX	2
Countershaft Rear Brg.	MU1308TVWS	2
Rev. Idler Gear Brg.	HJ223020-IR1820OH	2
Aux. Countershaft Front Brg.	NP656227-NP896049	2
Aux. Countershaft Rear Brg.	NP656227-NP896049	2
Spring	14897	3
Insert Valve	19974	1
Output Shaft Seal Kit	K-2262	1
O-Ring Kit	K-2804	1
Snap Ring	14317	2
Snap Ring	14750	1
Snap Ring	16980	1
Snap Ring	4301254	1
Shim Kit	K-2805	1
Gasket Kit	K-2199	1

TRK-2288		
Position	Part Number	Qty
Input Shaft Brg.	212SLV	1
Input Shaft Pilot Bushing	BS59	1
Aux. Drive Gear Brg.	5566508	1
Aux. Mainshaft Brg.	21356	1
Splitter Gear Brg.	4300902	1
Countershaft Front Brg.	BS500192SX	2
Countershaft Rear Brg.	MU1308TVWS	2
Rev. Idler Gear Brg.	HJ223020-IR1820OH	2
Aux. Countershaft Front Brg.	NP656227-NP896049	2
Aux. Countershaft Rear Brg.	NP656227-NP896049	2
Spring	14897	3
Insert Valve	19974	1
Output Shaft Seal Kit	K-2262	1
O-Ring Kit	K-2804	1
Snap Ring	14317	2
Snap Ring	14750	1
Snap Ring	16980	1
Snap Ring	4301254	1
Snap Ring	4303424	1
Shim Kit	K-2805	1
Gasket Kit	K-2199	1

Heavy Duty Transmission Rebuild Kits



TRK-2335		
Position	Part Number	Qty
Input Shaft Brg.	212SLV	1
Aux. Drive Gear Brg.	5566507	1
Aux. Mainshaft Brg.	21356	1
Countershaft Front Brg.	BS500192SX	2
Countershaft Rear Brg.	MU1308TVWS	2
Rev. Idler Gear Brg.	HJ223020-IR18200H	2
Aux. Countershaft Front Brg.	4302074	2
Aux. Countershaft Rear Brg.	4302074	2
Spring	14897	3
Output Shaft Seal Kit	K-2262	1
O-Ring Kit	K-1450	1
Snap Ring	14317	2
Snap Ring	14750	1
Snap Ring	16763	2
Snap Ring	16980	1
Shim Kit	K-2805	1
Gasket Kit	K-2061	1
Spring	15918	3
Sliding Clutch	16118	1
Collet	83002	4
Connector	84004	2
Connector	85001	1
Sealer	LC54505	1
Input Shaft	S1659	1

TRK-2336		
Position	Part Number	Qty
Input Shaft Brg.	212SLV	1
Aux. Drive Gear Brg.	5566507	1
Aux. Mainshaft Brg.	21356	1
Countershaft Front Brg.	BS500192SX	2
Countershaft Rear Brg.	MU1308TVWS	2
Rev. Idler Gear Brg.	HJ223020-IR18200H	2
Aux. Countershaft Front Brg.	4302074	2
Aux. Countershaft Rear Brg.	4302074	2
Spring	14897	3
Output Shaft Seal Kit	K-2262	1
O-Ring Kit	K-1450	1
Snap Ring	14317	2
Snap Ring	14750	1
Snap Ring	16763	2
Shim Kit	K-2805	1
Gasket Kit	K-2061	1
Spring	15918	3
Snap Ring	16980	1
Sliding Clutch	4304317	1
Collet	83002	4
Connector	84004	2
Connector	85001	1
Sealer	LC54505	1
Input Shaft	S1659	1

TRK-2338		
Position	Part Number	Qty
Aux. Mainshaft Brg.	29675 Assy 902A8 (A2892)	1
Aux. Countershaft Front Brg.	4302074	2
Aux. Countershaft Rear Brg.	4302074	2
Spring	14897	3
Insert Valve	19974	1
Output Shaft Seal Kit	K-2262	1
O-Ring Kit	K-2002	1
Shim Kit	K-2805	1
Gasket Kit	K-1603	1
Threadlocker	TL1	1
Connector	85001	1

TRK-2340		
Position	Part Number	Qty
Aux. Mainshaft Brg.	29675 Assy 902A8 (A2892)	1
Aux. Countershaft Front Brg.	4302074	2
Aux. Countershaft Rear Brg.	4302074	2
Aux. Range Shaft Quill Front Brg.	204	1
Spring	14897	3
Insert Valve	19974	1
Output Shaft Seal Kit	K-2262	1
O-Ring Kit	K-1447	1
O-Ring	OR217V	1
O-Ring	OR221V	1
Snap Ring	14291	1
Key Assembly	A3697	1
Connector	85002	1
Shim Kit	K-2430	1
Gasket Kit	K-1603	1
Threadlocker	TL1	1

TRK-2341		
Position	Part Number	Qty
Input Shaft Brg.	212SLV	1
Aux. Drive Gear Brg.	5566507	1
Aux. Mainshaft Brg.	29675 Assy 902A8 (A2892)	1
Countershaft Front Brg.	BS500192SX	2
Countershaft Rear Brg.	MU1308TVWS	2
Rev. Idler Gear Brg.	HJ223020-IR18200H	2
Range Shaft Quill Front Brg.	204	1
Range Shaft Quill Rear Brg.	BS60	1
Aux. Countershaft Front Brg.	4302074	2
Aux. Countershaft Rear Brg.	4302074	2
Spring	14897	3
Insert Valve	19974	1
Output Shaft Seal Kit	K-2262	1
O-Ring Kit	K-1447	1
O-Ring	OR217V	1
O-Ring	OR221V	1
Snap Ring	14291	1
Snap Ring	14317	2
Snap Ring	14750	1
Snap Ring	16763	2
Snap Ring	16980	1
Shim Kit	K-2430	1
Gasket Kit	K-2199	1
Spring	15918	3
Sliding Clutch	4306648	1
Collet	83001	4
Connector	84002	2
Connector	85002	1
Sealer	LC54505	1
Input Shaft	S1659	1

TRK-2342		
Position	Part Number	Qty
Input Shaft Brg.	212SLV	1
Aux. Drive Gear Brg.	118L	1
Aux. Mainshaft Brg.	390A Assy 902A2 (A3071)	1
Countershaft Front Brg.	BS500192SX	2
Countershaft Front Retainer	4304605	2
Countershaft Rear Brg.	MU1308TVWS	2
Rev. Idler Gear Brg.	HJ223020-IR18200H	2
Range Shaft Quill Front Brg.	204	1
Range Shaft Quill Rear Brg.	BS60	1
Aux. Countershaft Front Brg.	4302074	2
Aux. Countershaft Rear Brg.	4302074	2
Spring	14897	3
Insert Valve	19974	1
Output Shaft Seal Kit	K-2262	1
O-Ring Kit	K-1447	1
O-Ring Kit	OK1000V	1
O-Ring Kit	OK17453	1
O-Ring	OR217V	1
O-Ring	OR221V	1
Snap Ring	14291	1
Snap Ring	14317	2
Snap Ring	14750	1
Snap Ring	16763	2
Snap Ring	16980	1
Shim Kit	K-2430	1
Gasket Kit	K-2199	1
Spring	15918	3
Sliding Clutch	4306648	1
Collet	83001	4
Connector	84002	1
Connector	85002	1
Sealer	LC54505	1
Input Shaft	S1659	1

TRK-2343		
Position	Part Number	Qty
Input Shaft Brg.	212SLV	1
Aux. Drive Gear Brg.	5566507	1
Aux. Mainshaft Brg.	390A Assy 902A2 (A3071)	1
Countershaft Front Brg.	BS500192SX	2
Countershaft Rear Brg.	MU1308TVWS	2
Rev. Idler Gear Brg.	HJ223020-IR18200H	2
Aux. Countershaft Front Brg.	MR1307EL	2
Aux. Countershaft Rear Brg.	1310SLV	2
Spring	14897	3
Output Shaft Seal Kit	K-2262	1
O-Ring Kit	K-1450	1
O-Ring Kit	OK17453	1
Snap Ring	14317	2
Snap Ring	14750	1
Snap Ring	16723	2
Snap Ring	16763	2
Gasket Kit	K-2199	1
Spring	15918	3
Snap Ring	16980	1
Sliding Clutch	4306647	1
Connector	85001	2
Sealer	LC54505	1
Input Shaft	S1659	1

HD Transmission

Heavy Duty Transmission Rebuild Kits



HD Transmission

TRK-2344		
Position	Part Number	Qty
Input Shaft Brg.	212SLV	1
Aux. Drive Gear Brg.	5566507	1
Aux. Mainshaft Brg.	390A Assy 902A2 (A3071)	1
Countershaft Front Brg.	BS500192SX	2
Countershaft Rear Brg.	MU1308TVWS	2
Rev. Idler Gear Brg.	HJ223020-IR1820OH	2
Aux. Countershaft Front Brg.	MR1307EL	2
Aux. Countershaft Rear Brg.	1310SLV	2
Spring	14897	3
Output Shaft Seal Kit	K-2262	1
O-Ring Kit	K-1450	1
O-Ring Kit	OK17453	1
Snap Ring	14317	2
Snap Ring	14750	1
Snap Ring	16723	2
Snap Ring	16763	2
Snap Ring	16980	1
Gasket Kit	K-2199	1
Spring	15918	3
Sliding Clutch	4306648	1
Connector	85001	2
Sealer	LC54505	1
Input Shaft	S1659	1

TRK-2345		
Position	Part Number	Qty
Input Shaft Brg.	212SLV	1
Aux. Drive Gear Brg.	5566507	1
Aux. Mainshaft Brg.	390A Assy 902A2 (A3071)	1
Countershaft Front Brg.	BS500192SX	2
Countershaft Front Retainer	4304605	2
Countershaft Rear Brg.	MU1308TVWS	2
Rev. Idler Gear Brg.	HJ223020-IR1820OH	2
Range Shaft Quill Front Brg.	204	1
Range Shaft Quill Rear Bushing	BS60	1
Aux. Countershaft Front Brg.	MR1307EL	2
Aux. Countershaft Rear Brg.	1310L	2
Spring	14897	3
Insert Valve	19974	1
Output Shaft Seal Kit	K-2256	1
O-Ring Kit	K-1447	1
O-Ring Kit	OK17453	1
O-Ring	OR217V	1
O-Ring	OR221V	1
Snap Ring	14291	1
Snap Ring	14317	2
Snap Ring	14750	1
Snap Ring	16723	2
Snap Ring	16763	2
Snap Ring	16980	1
Gasket Kit	K-2199	1
Spring	15918	3
Front Brg. Cover	20552	1
Sliding Clutch	4306648	1
Collet	83001	4
Connector	84002	1
Connector	85002	1
Sealer	LC54505	1
Input Shaft	S2928	1

TRK-2464		
Position	Part Number	Qty
Input Shaft Brg.	39590-39520	1
Input Shaft Pilot Brg.	31594	1
Output Shaft Brg.	39585-39520	1
Countershaft Front Brg.	25590-25522	1
Countershaft Rear Brg.	3782-3720	1
1st, 2nd, 3rd & Rev. Gear Brg.	FW808840	4
4th Gear Brg.	FW687430	1
5th Gear Brg.	FW505520	2
Rev. Idler Gear Brg.	F11739	2
Countershaft Plug	3315679	1
Input Shaft Seal	19110	1
Output Shaft Seal Kit	K-2256	1
Threadlocker	TL1	1
Shim Kit	K-2183	1
Gasket Set	K-2465	1

TRK-2468		
Position	Part Number	Qty
Clutch Pilot Brg.	306VV	1
Input Shaft Brg.	212SLV	1
Front Brg. Cover	20550	1
Clutch Yoke	85533	1
Clutch Yoke Bushing	12815	4
Clutch Brake Disc	85541	1
Input Shaft	S1659	1
Snap Ring	14750	1
Snap Ring	16980	1
Gasket	14311	1
Gasket	4305294	1
Gasket	4306584	1

TRK-2490		
Position	Part Number	Qty
Input Shaft Brg.	39590-39520	1
Input Shaft Pilot Brg.	31594	1
Output Shaft Brg.	39585-39520	1
Countershaft Front Brg.	25590-25522	1
Countershaft Rear Brg.	3782-3720	1
1st, 2nd, 3rd & Rev. Gear Brg.	FW808840	4
4th Gear Brg.	FW687430	1
5th Gear Brg.	F206252	1
Rev. Idler Gear Brg.	F11739	2
Countershaft Plug	3315679	1
Spring	1064	4
Snap Ring	17399	1
Snap Ring	20712	1
Snap Ring	22328	1
Snap Ring	22360	1
Snap Ring	3315686	1
Input Shaft Seal	22329	1
Output Shaft Seal Kit	K-2256	1
Threadlocker	TL1	1
Shim Kit	K-2183	1
Gasket Set	K-2465	1

TRK-2758		
Position	Part Number	Qty
Input Shaft Brg.	212SLV	1
Aux. Drive Gear Brg.	5566508	1
Aux. Mainshaft Brg.	21356	1
Countershaft Front Brg.	BS500192SX	2
Countershaft Rear Brg.	MU1308TVWS	2
Rev. Idler Gear Brg.	HJ223020-IR1820OH	2
Aux. Countershaft Front Brg.	4302074	2
Aux. Countershaft Rear Brg.	4302074	2
Spring	14897	3
Insert Valve	19974	1
Output Shaft Seal Kit	K-2262	1
O-Ring Kit	K-2804	1
Snap Ring	14317	2
Snap Ring	14750	1
Snap Ring	16980	1
Snap Ring	4301254	2
Shim Kit	K-2805	1
Gasket Kit	K-2199	1
Spring	15918	3
Sliding Clutch	4304317	1
Connector	84005	2
Connector	85003	1
Sealer	LC54505	1
Input Shaft	S1659	1

TRK-2759		
Position	Part Number	Qty
Aux. Mainshaft Brg.	21356	1
Aux. Countershaft Front Brg.	4302074	2
Aux. Countershaft Rear Brg.	4302074	2
Spring	14897	3
Insert Valve	19974	1
Output Shaft Seal Kit	K-2262	1
O-Ring Kit	K-2804	1
Gasket Kit	K-1603	1
Connector	85003	1
Shim Kit	K-2805	1

Heavy Duty Transmission Rebuild Kits



TRK-2761			TRK-2763			TRK-2765		
Position	Part Number	Qty	Position	Part Number	Qty	Position	Part Number	Qty
Input Shaft Brg.	212SLV	1	Input Shaft Brg.	212SLV	1	Input Shaft Brg.	212SLV	1
Aux. Drive Gear Brg.	5566507	1	Aux. Drive Gear Brg.	5566507	1	Aux. Drive Gear Brg.	5566507	1
Aux. Mainshaft Brg.	390A Assy 902A2 (A3071)	1	Aux. Mainshaft Brg.	21355	1	Aux. Mainshaft Brg.	29675 Assy 902A8 (A2892)	1
Countershaft Front Brg.	BS500192SX	2	Countershaft Front Brg.	BS500192SX	2	Aux. Mainshaft Thrust Brg.	AXK5070	2
Countershaft Front Retainer	4304605	2	Countershaft Rear Brg.	MU1308TVWS	2	Countershaft Front Brg.	BS500192SX	2
Countershaft Rear Brg.	MU1308TVWS	2	Rev. Idler Gear Brg.	HJ223020-IR18200H	2	Countershaft Rear Brg.	MU1308TVWS	2
Rev. Idler Gear Brg.	HJ223020-IR18200H	2	Aux. Countershaft Front Brg.	4302074	2	Rev. Idler Gear Brg.	HJ223020-IR18200H	2
Range Shaft Quill Front Brg.	204	1	Aux. Countershaft Rear Brg.	4302074	2	Aux. Countershaft Brg.	4302074	4
Range Shaft Quill Rear Bushing	BS60	1	Retainer Assembly	4304605	2	Spring	14897	3
Aux. Countershaft Front Brg.	MR1307EL	2	Spring	14897	3	Insert Valve	19974	1
Aux. Countershaft Rear Brg.	1310L	2	Insert Valve	19974	1	Insert Valve	4300810	2
Spring	14897	3	Output Shaft Seal Kit	K-2262	1	Output Shaft Seal Kit	K-2262	1
Insert Valve	19974	1	O-Ring Kit	K-1447	1	O-Ring Kit	K-2298	1
Output Shaft Seal Kit	K-2256	1	O-Ring Kit	OK17453	1	O-Ring Kit	OK17453	1
O-Ring Kit	K-1447	1	O-Ring	OR217V	1	Snap Ring	14317	2
O-Ring Kit	OK17453	1	O-Ring	OR221V	1	Snap Ring	14750	1
O-Ring	OR217V	1	Snap Ring	14291	1	Snap Ring	16763	2
O-Ring	OR221V	1	Snap Ring	14317	2	Snap Ring	16980	1
Snap Ring	14291	1	Snap Ring	14750	1	Snap Ring	16723	2
Snap Ring	14317	2	Snap Ring	16723	2	Snap Ring	16763	2
Snap Ring	14750	1	Snap Ring	16763	2	Gasket Kit	K-2199	1
Snap Ring	16723	2	Gasket Kit	K-2199	1	Spring	15918	3
Snap Ring	16763	2	Spring	15918	3	Snap Ring	16980	1
Gasket Kit	K-2199	1	Snap Ring	16980	1	Front Brg. Cover	20550	1
Spring	15918	3	Front Brg. Cover	20550	1	Sliding Clutch	4306648	1
Snap Ring	16980	1	Sliding Clutch	4306648	1	Collet	83002	4
Front Brg. Cover	20550	1	Collet	83002	4	Connector	84002	1
Sliding Clutch	4306648	1	Connector	84002	1	Connector	85002	1
Collet	83002	4	Connector	85002	1	Input Shaft	S1659	1
Connector	84002	1	Input Shaft	S1659	1			
Connector	85002	1						
Input Shaft	S1659	1						

TRK-2762			TRK-2764			TRK-2767		
Position	Part Number	Qty	Position	Part Number	Qty	Position	Part Number	Qty
Input Shaft Brg.	212SLV	1	Input Shaft Brg.	212SLV	1	Input Shaft Brg.	212SLV	1
Aux. Drive Gear Brg.	5566507	1	Aux. Drive Gear Brg.	5566507	1	Aux. Drive Gear Brg.	5566508	1
Aux. Mainshaft Brg.	21355	1	Aux. Mainshaft Brg.	390A Assy 902A2 (A3071)	1	Aux. Mainshaft Brg.	21355	1
Countershaft Front Brg.	BS500192SX	2	Aux. Mainshaft Thrust Brg.	AXK5070	2	Countershaft Front Brg.	BS500192SX	2
Countershaft Rear Brg.	MU1308TVWS	2	Countershaft Front Brg.	BS500192SX	2	Countershaft Rear Brg.	MU1308TVWS	2
Rev. Idler Gear Brg.	HJ223020-IR18200H	2	Countershaft Rear Brg.	MU1308TVWS	2	Rev. Idler Gear Brg.	HJ223020-IR18200H	2
Aux. Countershaft Front Brg.	4302074	2	Rev. Idler Gear Brg.	HJ223020-IR18200H	2	Aux. Countershaft Front Brg.	4302074	2
Aux. Countershaft Rear Brg.	4302074	2	Aux. Countershaft Front Brg.	4302074	2	Aux. Countershaft Brg.	4302074	2
Retainer Assembly	4304605	2	Aux. Countershaft Rear Brg.	4302074	2	Spring	14897	3
Spring	14897	3	Spring	14897	3	Insert Valve	19974	1
Insert Valve	19974	1	Insert Valve	19974	1	Output Shaft Seal Kit	K-2262	1
Output Shaft Seal Kit	K-2262	1	Insert Valve	4300810	2	O-Ring Kit	K-2804	1
O-Ring Kit	K-2054	1	Output Shaft Seal Kit	K-2262	1	Snap Ring	14317	2
Snap Ring	14317	2	O-Ring Kit	OK17453	1	Snap Ring	14750	1
Snap Ring	14750	1	Snap Ring	14317	2	Snap Ring	16980	1
Snap Ring	16763	2	Snap Ring	14750	1	Snap Ring	4301254	2
Snap Ring	16980	1	Snap Ring	16763	2	Shim Kit	K-2805	1
Snap Ring Retainer	21320	1	Snap Ring	16980	1	Gasket Kit	K-2199	1
Shim Kit	K-2805	1	Retainer Assembly	A-6340	1	Spring	15918	3
Gasket Kit	K-2061	1	Shim Kit	K-2430	1	Sliding Clutch	16118	1
Spring	15918	3	Gasket Kit	K-2295	1	Connector	84005	2
Sliding Clutch	4306648	1	Spring	15918	2	Connector	85003	1
Collet	83002	4	Sliding Clutch	16118	1	Sealer	LC54505	1
Connector	84004	1	Connector	84005	2	Input Shaft	S1659	1
Connector	85001	1	Connector	85003	1			
Sealer	LC54505	1	Sealer	LC54505	1			
Input Shaft	S1659	1	Input Shaft	S1659	1			

TRK-2768		
Position	Part Number	Qty
Aux. Mainshaft Brg.	21355	1
Aux. Countershaft Front Brg.	4302074	2
Aux. Countershaft Rear Brg.	4302074	2
Insert Valve	19974	1
Connector	85003	1
Spring	14897	3
Gasket Kit	K-1603	1
Output Shaft Seal Kit	K-2262	1
O-Ring Kit	K-2804	1
Shim Kit	K-2805	1

HD Transmission

Heavy Duty Transmission Rebuild Kits



HD Transmission

TRK-2769		
Position	Part Number	Qty
Aux. Mainshaft Brg.	21356	1
Aux. Countershaft Front Brg.	NP896049-NP656227	2
Aux. Countershaft Rear Brg.	NP896049-NP656227	2
Spring	14897	3
Insert Valve	19974	1
Output Shaft Seal Kit	K-2262	1
O-Ring Kit	K-2804	1
Gasket Kit	K-1603	1
Connector	85003	1
Shim Kit	K-2805	1

TRK-2770		
Position	Part Number	Qty
Input Shaft Brg.	212SLV	1
Aux. Drive Gear Brg.	5566508	1
Aux. Mainshaft Brg.	21356	1
Countershaft Front Brg.	BS500192SX	2
Countershaft Rear Brg.	MU1308TVWS	2
Rev. Idler Gear Brg.	HJ223020-IR1820OH	2
Aux. Countershaft Front Brg.	NP656227-NP896049	2
Aux. Countershaft Rear Brg.	NP656227-NP896049	2
Spring	14897	3
Insert Valve	19974	1
Output Shaft Seal Kit	K-2262	1
O-Ring Kit	K-2804	1
Snap Ring	14317	2
Snap Ring	14750	1
Snap Ring	16980	1
Snap Ring	4301254	1
Shim Kit	K-2805	1
Gasket Kit	K-2199	1
Sliding Clutch	4304317	1
Connector	84005	2
Connector	85003	1
Sealer	LC54505	1
Input Shaft	S1659	1

TRK-2771		
Position	Part Number	Qty
Input Shaft Brg.	212SLV	1
Input Shaft Pilot Bushing	BS59	1
Output Shaft Brg.	214LB	1
Countershaft Front Brg.	1309L	2
Countershaft Rear Brg.	1309L	2
Aux. Countershaft Brg.	MU1213UMW3	2
Rev. Idler Gear Brg.	WJ162116	4
Output Shaft Seal Kit	K-2262	1
Snap Ring	14289	1
Snap Ring	15253	4
Snap Ring	16798	3
O-Ring	OK20128	2
Gasket Kit	K-1846	1
Sealer	LC54505	1

TRK-2772		
Position	Part Number	Qty
Input Shaft Brg.	212SLV	1
Input Shaft Pilot Bushing	BS59	1
Aux. Drive Gear Brg.	5566507	1
Aux. Mainshaft Brg.	390A Assy 902A2 (A3071)	1
Aux. Mainshaft Thrust Brg.	AXK5070	2
Countershaft Front Brg.	BS500192SX	2
Countershaft Rear Brg.	MU1308TVWS	2
Rev. Idler Gear Brg.	HJ223020-IR1820OH	2
Aux. Countershaft Front Brg.	4302074	2
Aux. Countershaft Rear Brg.	4302074	2
Spring	14897	3
Insert Valve	19974	1
Insert Valve	4300810	2
Output Shaft Seal Kit	K-2262	1
O-Ring Kit	K-2298	1
O-Ring Kit	OK17453	1
Snap Ring	14317	2
Snap Ring	14750	1
Snap Ring	16763	2
Snap Ring	16980	1
Retainer Assembly	A-6340	1
Shim Kit	K-2430	1
Gasket Kit	K-2295	1

TRK-2773		
Position	Part Number	Qty
Input Shaft Brg.	212SLV	1
Input Shaft Pilot Bushing	BS59	1
Aux. Drive Gear Brg.	5566507	1
Aux. Mainshaft Brg.	29675 Assy 902A8 (A2892)	1
Aux. Mainshaft Thrust Brg.	AXK5070	2
Countershaft Front Brg.	BS500192SX	2
Countershaft Rear Brg.	MU1308TVWS	2
Rev. Idler Gear Brg.	HJ223020-IR1820OH	2
Aux. Countershaft Brg.	4302074	4
Spring	14897	3
Insert Valve	19974	1
Insert Valve	4300810	2
Output Shaft Seal Kit	K-2262	1
O-Ring Kit	K-2298	1
O-Ring Kit	OK17453	1
Snap Ring	14317	2
Snap Ring	14750	1
Snap Ring	16763	2
Snap Ring	16980	1
Retainer Assembly	A-6340	1
Shim Kit	K-2430	1
Gasket Kit	K-2295	1

TRK-2779		
Position	Part Number	Qty
Input Shaft Brg.	212SLV	1
Aux. Drive Gear Brg.	5566508	1
Aux. Mainshaft Brg.	21356	1
Splitter Gear Brg.	4300902	1
Countershaft Front Brg.	BS500192SX	2
Countershaft Rear Brg.	MU1308TVWS	2
Rev. Idler Gear Brg.	HJ223020-IR1820OH	2
Aux. Countershaft Front Brg.	NP656227-NP896049	2
Aux. Countershaft Rear Brg.	NP656227-NP896049	2
Spring	14897	3
Insert Valve	19974	1
Output Shaft Seal Kit	K-2262	1
O-Ring Kit	K-2804	1
Snap Ring	14317	2
Snap Ring	14750	1
Snap Ring	16980	1
Snap Ring	4301254	1
Snap Ring	4303424	1
Shim Kit	K-2805	1
Gasket Kit	K-2199	1
Spring	15918	3
Sliding Clutch	4304317	1
Connector	84005	2
Connector	85003	1
Sealer	LC54505	1
Input Shaft	S1659	1

TRK-2780		
Position	Part Number	Qty
Input Shaft Brg.	212SLV	1
Input Shaft Pilot Bushing	BS59	1
Aux. Drive Gear Brg.	117L	1
Aux. Mainshaft Brg.	390A Assy 902A2 (A3071)	1
Countershaft Front Brg.	MSN1211REX	2
Countershaft Rear Brg.	MU1308TVWS	2
Rev. Idler Gear Brg.	HJ223020-IR1820OH	2
Aux. Countershaft Front Brg.	MR1307EL	2
Aux. Countershaft Rear Brg.	1310L	2
Aux. Range Shaft Quill Front Brg.	204	1
Aux. Range Shaft Quill Rear Bushing	BS60	1
Spring	14897	3
Insert Valve	19974	1
Output Shaft Seal Kit	K-2256	1
O-Ring Kit	K-1447	1
Snap Ring Set	SR1000	1
Gasket Kit	K-2199	1

TRK-2847		
Position	Part Number	Qty
Input Shaft Brg.	212SLV	1
Input Shaft Pilot Bushing	BS59	1
Aux. Drive Gear Brg.	5566507	1
Aux. Mainshaft Brg.	21356	1
Countershaft Front Brg.	BS500192SX	2
Countershaft Rear Brg.	MU1308TVWS	2
Rev. Idler Gear Brg.	HJ223020-IR1820OH	2
Aux. Countershaft Front Brg.	4302074	2
Aux. Countershaft Rear Brg.	4302074	2
Spring	14897	3
Output Shaft Seal Kit	K-2262	1
O-Ring Kit	K-2846	1
Snap Ring	14317	2
Snap Ring	14750	1
Snap Ring	16763	2
Snap Ring	16980	1
Shim Kit	K-2805	1
Gasket Kit	K-2061	1

Heavy Duty Transmission Rebuild Kits



TRK-2848			TRK-2865			TRK-2924		
Position	Part Number	Qty	Position	Part Number	Qty	Position	Part Number	Qty
Input Shaft Brg.	212SLV	1	Input Shaft Brg.	212SLV	1	Input Shaft Brg.	MU1212RUMW3	1
Aux. Drive Gear Brg.	5566507	1	Input Shaft Pilot Bushing	BS59	1	Input Shaft Pilot Bushing	BS59	1
Aux. Mainshaft Brg.	21356	1	Aux. Drive Gear Brg.	5566508	1	Aux. Drive Gear Brg.	5566507	1
Countershaft Front Brg.	BS500192SX	2	Aux. Mainshaft Brg.	21356	1	Aux. Mainshaft Brg.	5566503	1
Countershaft Rear Brg.	MU1308TVWS	2	Splitter Gear Brg.	4300902	1	Countershaft Front Brg.	BS226539V	2
Rev. Idler Gear Brg.	HJ223020-IR18200H	2	Countershaft Front Brg.	BS500192SX	2	Countershaft Rear Brg.	BS226539V	2
Aux. Countershaft Front Brg.	4302074	2	Countershaft Rear Brg.	BS500052V	2	Rev. Idler Gear Brg.	HJ223020-IR18200H	2
Aux. Countershaft Rear Brg.	4302074	2	Rev. Idler Gear Brg.	HJ223020-IR18200H	2	Aux. Countershaft Front Brg.	4302074	2
Spring	14897	3	Aux. Countershaft Front Brg.	NP656227-NP896049	2	Aux. Countershaft Rear Brg.	4302074	2
Output Shaft Seal Kit	K-2262	1	Aux. Countershaft Rear Brg.	NP656227-NP896049	2	Spring	14897	3
O-Ring Kit	K-2846	1	Spring	14897	3	Output Shaft Seal Kit	K-2918	1
Snap Ring	14317	2	Insert Valve	19974	1	Snap Ring	16980	1
Snap Ring	14750	1	Output Shaft Seal Kit	K-2262	1	Snap Ring	17399	1
Snap Ring	16763	2	O-Ring Kit	K-2804	1	Snap Ring	4302082	2
Snap Ring	16980	1	Snap Ring	14750	1	Snap Ring	4303362	2
Shim Kit	K-2805	1	Snap Ring	16980	1	Shim Kit	K-2805	1
Gasket Kit	K-2061	1	Snap Ring	4301254	1	Piston Range Kit	K-2923	1
Spring	15918	3	Snap Ring	4303424	2	Gasket Kit	K-2921	1
Sliding Clutch	4304317	1	Snap Ring	4302082	2	TRK-2924A		
Connector	84006	1	Snap Ring	4302082	2	Position	Part Number	Qty
Connector	85003	1	Shim Kit	K-2805	1	Input Shaft Brg.	MU1212RUMW3	1
Sealer	LC54505	1	Gasket Kit	K-2199	1	Input Shaft Pilot Bushing	BS59	1
Input Shaft	S1659	1	TRK-2866			Aux. Drive Gear Brg.	5566507	1
TRK-2855			Position	Part Number	Qty	Aux. Mainshaft Brg.	5566507 Assy.	1
Position	Part Number	Qty	Input Shaft Brg.	212SLV	1	Countershaft Front Brg.	BS226539V	2
Input Shaft Brg.	212SLV	1	Aux. Drive Gear Brg.	5566508	1	Countershaft Rear Brg.	BS226539V	2
Input Shaft Pilot Bushing	BS59	1	Aux. Mainshaft Brg.	21356	1	Rev. Idler Gear Brg.	HJ223020-IR18200H	2
Aux. Drive Gear Brg.	5566507	1	Splitter Gear Brg.	4300902	1	Aux. Countershaft Front Brg.	4302074	2
Aux. Mainshaft Brg.	21356	1	Countershaft Front Brg.	BS500192SX	2	Aux. Countershaft Rear Brg.	4302074	2
Aux. Mainshaft Bushing	AA1512-12	2	Countershaft Rear Brg.	BS500052V	2	Spring	14897	3
Countershaft Front Brg.	1309L	2	Rev. Idler Gear Brg.	HJ223020-IR18200H	2	Output Shaft Seal Kit	K-2918	1
Countershaft Rear Brg.	MU1308TVWS	2	Aux. Countershaft Front Brg.	NP656227-NP896049	2	Snap Ring	16980	1
Rev. Idler Gear Brg.	HJ223020-IR18200H	2	Aux. Countershaft Rear Brg.	NP656227-NP896049	2	Snap Ring	17399	1
Aux. Countershaft Front Brg.	4302074	2	Spring	14897	3	Snap Ring	4302082	2
Aux. Countershaft Rear Brg.	4302074	2	Insert Valve	19974	1	Snap Ring	4303362	2
Insert Valve	19974	1	Output Shaft Seal Kit	K-2262	1	Shim Kit	K-2805	1
Spring	14897	3	O-Ring Kit	K-2804	1	Piston Range Kit	K-2923	1
Output Shaft Seal Kit	K-2262	1	Snap Ring	14750	1	Gasket Kit	K-2921	1
O-Ring Kit	K-2846	1	Snap Ring	16980	1			
Snap Ring	14289	1	Snap Ring	4301254	1			
Snap Ring	14317	2	Snap Ring	4303424	2			
Snap Ring	15253	2	Snap Ring	4302082	2			
Snap Ring	16763	2	Shim Kit	K-2805	1			
Snap Ring	20085	2	Gasket Kit	K-2199	1			
Snap Ring	21320	1	Spring	15918	3			
Shim Kit	K-2805	1	Sliding Clutch	4304317	1			
Gasket Kit	K-2061	1	Connector	84006	2			
			Connector	85003	1			
			Sealer	LC54505	1			
			Input Shaft	S1659	1			

HD Transmission

Heavy Duty Transmission Rebuild Kits



HD Transmission

TRK-2993		
Position	Part Number	Qty
Input Shaft Brg.	212SLV	1
Aux. Drive Gear Brg.	5566507	1
Aux. Mainshaft Brg.	29675 Assy 902A8 (A2892)	1
Aux. Mainshaft Thrust Brg.	AXK5070	2
Countershaft Front Brg.	BS500192SX	2
Countershaft Rear Brg.	MU1308TVWS	2
Rev. Idler Gear Brg.	HJ223020-IR1820OH	2
Aux. Countershaft Front Brg.	4302074	2
Aux. Countershaft Rear Brg.	4302074	2
Spring	14897	3
Insert Valve	19974	1
Retainer Assembly	A-6340	1
Output Shaft Seal Kit	K-2262	1
O-Ring Kit	K-2002	1
O-Ring Kit	OK17453	1
Snap Ring	14317	2
Snap Ring	14750	1
Snap Ring	16763	2
Snap Ring	16980	1
Shim Kit	K-2430	1
Gasket Kit	K-2199	1
Threadlocker	TL1	1
Spring	15918	3
Sliding Clutch	16118	1
Collet	83002	4
Connector	84003	2
Connector	85001	1
Sealer	LC54505	1
Input Shaft	S1659	1

TRK-2994		
Position	Part Number	Qty
Input Shaft Brg.	212SLV	1
Aux. Drive Gear Brg.	5566507	1
Aux. Mainshaft Brg.	29675 Assy 902A8 (A2892)	1
Aux. Mainshaft Thrust Brg.	AXK5070	2
Countershaft Front Brg.	BS500192SX	2
Countershaft Rear Brg.	MU1308TVWS	2
Rev. Idler Gear Brg.	HJ223020-IR1820OH	2
Aux. Countershaft Front Brg.	MU61307GUM	2
Aux. Countershaft Rear Brg.	1310SLV	2
Spring	14897	3
Insert Valve	19974	1
Retainer Assembly	A6340	1
Output Shaft Seal Kit	K-2262	1
O-Ring Kit	K-2002	1
O-Ring Kit	OK17453	1
Snap Ring	14317	2
Snap Ring	14750	1
Snap Ring	16723	1
Snap Ring	16763	2
Snap Ring	16980	1
Gasket Kit	K-2199	1
Threadlocker	TL1	1
Spring	15918	3
Sliding Clutch	16118	1
Collet	83002	4
Connector	84003	2
Connector	85001	1
Input Shaft	S1659	1

TRK-2996		
Position	Part Number	Qty
Input Shaft Brg.	212SLV	1
Input Shaft Pilot Bushing	BS59	1
Aux. Drive Gear Brg.	5566507	1
Aux. Mainshaft Brg.	29675 Assy 902A8 (A2892)	1
Aux. Mainshaft Thrust Brg.	AXK5070	2
Countershaft Front Brg.	BS500192SX	2
Countershaft Rear Brg.	MU1308TVWS	2
Rev. Idler Gear Brg.	HJ223020-IR1820OH	2
Aux. Countershaft Front Brg.	4302074	2
Aux. Countershaft Rear Brg.	4302074	2
Spring	14897	3
Insert Valve	19974	1
Retainer Assembly	A-6340	1
Output Shaft Seal Kit	K-2262	1
O-Ring Kit	K-2002	1
O-Ring Kit	OK17453	1
Snap Ring	14317	2
Snap Ring	14750	1
Snap Ring	16763	2
Snap Ring	16980	1
Shim Kit	K-2430	1
Gasket Kit	K-2199	1
Threadlocker	TL1	1

TRK-2997		
Position	Part Number	Qty
Input Shaft Brg.	212SLV	1
Input Shaft Pilot Bushing	BS59	1
Aux. Drive Gear Brg.	5566507	1
Aux. Mainshaft Brg.	29675 Assy 902A8 (A2892)	1
Aux. Mainshaft Thrust Brg.	AXK5070	2
Countershaft Front Brg.	BS500192SX	2
Countershaft Rear Brg.	MU1308TVWS	2
Rev. Idler Gear Brg.	HJ223020-IR1820OH	2
Aux. Countershaft Front Brg.	MU61307GUM	2
Aux. Countershaft Rear Brg.	1310SLV	2
Spring	14897	3
Insert Valve	19974	1
Retainer Assembly	A-6340	1
Output Shaft Seal Kit	K-2262	1
O-Ring Kit	K-2002	1
O-Ring Kit	OK17453	1
Snap Ring	14317	2
Snap Ring	14750	1
Snap Ring	16723	1
Snap Ring	16763	2
Snap Ring	16980	1
Gasket Kit	K-2199	1
Threadlocker	TL1	1

TRK-2998		
Position	Part Number	Qty
Input Shaft Brg.	212SLV	1
Input Shaft Pilot Bushing	BS59	1
Aux. Drive Gear Brg.	5566507	1
Aux. Mainshaft Brg.	29675 Assy 902A8 (A2892)	1
Aux. Mainshaft Thrust Brg.	AXK5070	2
Countershaft Front Brg.	BS500192SX	2
Countershaft Rear Brg.	MU1308TVWS	2
Rev. Idler Gear Brg.	HJ223020-IR1820OH	2
Aux. Countershaft Front Brg.	MR1307EX	2
Aux. Countershaft Rear Brg.	1310SLV	2
Spring	14897	3
Insert Valve	19974	1
Insert Valve	4300810	2
Retainer Assembly	A-6340	1
Output Shaft Seal Kit	K-2262	1
O-Ring Kit	K-2298	1
O-Ring Kit	OK17453	1
Snap Ring	14317	2
Snap Ring	14750	1
Snap Ring	16763	2
Snap Ring	16980	1
Gasket Kit	K-2295	1
Threadlocker	TL1	1

TRK-3132		
Position	Part Number	Qty
Input Shaft Brg.	MU1212RUMW3	1
Input Shaft Pilot Bushing	BS59	1
Aux. Drive Gear Brg.	5566507	1
Aux. Mainshaft Brg.	5566503	1
Countershaft Front Brg.	BS226539V	2
Countershaft Rear Brg.	BS226539V	2
Rev. Idler Gear Brg.	HJ223020-IR1820OH	2
Aux. Countershaft Front Brg.	4302074	2
Aux. Countershaft Rear Brg.	4302074	2
Spring	14897	3
Output Shaft Seal Kit	K-2262	1
Snap Ring	16980	1
Snap Ring	17399	1
Snap Ring	4302082	2
Snap Ring	4303362	1
Shim Kit	K-2805	1
Piston Range Kit	K-2923	1
Gasket Kit	K-2921	1

TRK-3233		
Position	Part Number	Qty
Input Shaft Brg.	MU1212RUMW3	1
Input Shaft Pilot Bushing	BS59	1
Aux. Drive Gear Brg.	5566508	1
Aux. Mainshaft Brg.	5566503	1
Aux. Mainshaft Bushing	AA1512-12	2
Countershaft Front Brg.	BS500192SX	2
Countershaft Rear Brg.	MU1308TVWS	2
Rev. Idler Gear Brg.	HJ223020-IR1820OH	2
Aux. Countershaft Front Brg.	4302074	2
Aux. Countershaft Rear Brg.	4302074	2
Spring	14897	3
Insert Valve	19974	1
O-Ring Kit	K-2054	1
Output Shaft Seal Kit	K-2918	1
Snap Ring	14317	2
Snap Ring	14750	1
Snap Ring	16763	1
Shim Kit	K-2805	1
Gasket Kit	K-2061	1

Heavy Duty Transmission Rebuild Kits



TRK-3233A			TRK-3256			TRK-3257		
Position	Part Number	Qty	Position	Part Number	Qty	Position	Part Number	Qty
Input Shaft Brg.	MU1212RUMW3	1	Input Shaft Brg.	MU1212RUMW3	1	Input Shaft Brg.	MU1212RUMW3	1
Input Shaft Pilot Bushing	BS59	1	Input Shaft Pilot Bushing	BS59	1	Aux. Drive Gear Brg.	5566507	1
Aux. Drive Gear Brg.	5566508	1	Aux. Drive Gear Brg.	5566507	1	Aux. Mainshaft Brg.	5556503	1
Aux. Mainshaft Brg.	5556507 Assy.	1	Aux. Mainshaft Brg.	5556503	1	Aux. Mainshaft Bushing	AA1512-12	2
Aux. Mainshaft Bushing	AA1512-12	2	Aux. Mainshaft Bushing	AA1512-12	2	Countershaft Front Brg.	BS500192SX	2
Countershaft Front Brg.	BS500192SX	2	Countershaft Front Brg.	BS500192SX	2	Countershaft Rear Brg.	MU1308TVWS	2
Countershaft Rear Brg.	MU1308TVWS	2	Countershaft Rear Brg.	MU1308TVWS	2	Rev. Idler Gear Brg.	HJ223020-IR1820OH	2
Rev. Idler Gear Brg.	HJ223020-IR1820OH	2	Rev. Idler Gear Brg.	HJ223020-IR1820OH	2	Aux. Countershaft Front Brg.	4302074	2
Aux. Countershaft Front Brg.	4302074	2	Aux. Countershaft Front Brg.	4302074	2	Aux. Countershaft Rear Brg.	4302074	2
Aux. Countershaft Rear Brg.	4302074	2	Aux. Countershaft Rear Brg.	4302074	2	Spring	14897	3
Spring	14897	3	Spring	14897	3	Insert Valve	19974	1
Insert Valve	19974	1	Insert Valve	19974	1	O-Ring Kit	K-2054	1
O-Ring Kit	K-2054	1	O-Ring Kit	K-2054	1	Output Shaft Seal Kit	K-2918	1
Output Shaft Seal Kit	K-2918	1	Output Shaft Seal Kit	K-2918	1	Snap Ring	14317	2
Snap Ring	14317	2	Snap Ring	14317	2	Snap Ring	14750	1
Snap Ring	14750	1	Snap Ring	14750	1	Snap Ring	16763	1
Snap Ring	16763	1	Snap Ring	16763	1	Snap Ring	16980	1
Shim Kit	K-2805	1	Shim Kit	K-2805	1	Shim Kit	K-2805	1
Gasket Kit	K-2061	1	Gasket Kit	K-2061	1	Gasket Kit	K-2061	1
TRK-3234			TRK-3256A			TRK-3257A		
Position	Part Number	Qty	Position	Part Number	Qty	Position	Part Number	Qty
Input Shaft Brg.	MU1212RUMW3	1	Input Shaft Brg.	MU1212RUMW3	1	Input Shaft Brg.	MU1212RUMW3	1
Aux. Drive Gear Brg.	5566508	1	Input Shaft Pilot Bushing	BS59	1	Aux. Drive Gear Brg.	5566507	1
Aux. Mainshaft Brg.	5556503	1	Aux. Drive Gear Brg.	5566507	1	Aux. Mainshaft Brg.	5556507 Assy.	1
Aux. Mainshaft Bushing	AA1512-12	2	Aux. Mainshaft Brg.	5556507 Assy.	1	Aux. Mainshaft Bushing	AA1512-12	2
Countershaft Front Brg.	BS500192SX	2	Aux. Mainshaft Bushing	AA1512-12	2	Countershaft Front Brg.	BS500192SX	2
Countershaft Rear Brg.	MU1308TVWS	2	Countershaft Front Brg.	BS500192SX	2	Countershaft Rear Brg.	MU1308TVWS	2
Rev. Idler Gear Brg.	HJ223020-IR1820OH	2	Countershaft Rear Brg.	MU1308TVWS	2	Rev. Idler Gear Brg.	HJ223020-IR1820OH	2
Aux. Countershaft Front Brg.	4302074	2	Rev. Idler Gear Brg.	HJ223020-IR1820OH	2	Aux. Countershaft Front Brg.	4302074	2
Aux. Countershaft Rear Brg.	4302074	2	Aux. Countershaft Front Brg.	4302074	2	Aux. Countershaft Rear Brg.	4302074	2
Spring	14897	3	Aux. Countershaft Rear Brg.	4302074	2	Spring	14897	3
Insert Valve	19974	1	Spring	14897	3	Insert Valve	19974	1
O-Ring Kit	K-2054	1	Insert Valve	19974	1	O-Ring Kit	K-2054	1
Output Shaft Seal Kit	K-2918	1	O-Ring Kit	K-2054	1	Output Shaft Seal Kit	K-2918	1
Snap Ring	14317	2	Output Shaft Seal Kit	K-2918	1	Snap Ring	14317	2
Snap Ring	14750	1	Snap Ring	14317	2	Snap Ring	14750	1
Snap Ring	16763	1	Snap Ring	14750	1	Snap Ring	16763	1
Snap Ring	16980	1	Snap Ring	16763	1	Snap Ring	16980	1
Shim Kit	K-2805	1	Shim Kit	K-2805	1	Shim Kit	K-2805	1
Gasket Kit	K-2061	1	Gasket Kit	K-2061	1	Gasket Kit	K-2061	1
Spring	15918	3				Spring	15918	3
Sliding Clutch	4306647	1				Sliding Clutch	4306648	1
Collet	83002	4				Collet	83002	4
Connector	84004	2				Connector	84004	2
Connector	85001	1				Connector	85001	1
Sealer	LC54505	1				Sealer	LC54505	1
Input Shaft	S1659	1				Input Shaft	S1659	1

HD Transmission

Heavy Duty Transmission Rebuild Kits



HD Transmission

TRK-3258		
Position	Part Number	Qty
Input Shaft Brg.	MU1212RUMW3	1
Aux. Drive Gear Brg.	5566507	1
Aux. Mainshaft Brg.	5556503	1
Aux. Mainshaft Bushing	AA1512-12	2
Countershaft Front Brg.	BS500192SX	2
Countershaft Rear Brg.	MU1308TVWS	2
Rev. Idler Gear Brg.	HJ223020-IR1820OH	2
Aux. Countershaft Front Brg.	4302074	2
Aux. Countershaft Rear Brg.	4302074	2
Spring	14897	3
Insert Valve	19974	1
O-Ring Kit	K-2054	1
Output Shaft Seal Kit	K-2918	1
Snap Ring	14317	2
Snap Ring	14750	1
Snap Ring	16763	1
Shim Kit	K-2805	1
Gasket Kit	K-2061	1
Snap Ring	16980	1
Sliding Clutch	4306647	1
Collet	83002	4
Connector	84004	2
Connector	85001	1
Sealer	LC54505	1
Input Shaft	S1659	1

TRK-3258A		
Position	Part Number	Qty
Input Shaft Brg.	MU1212RUMW3	1
Aux. Drive Gear Brg.	5566507	1
Aux. Mainshaft Brg.	5556507 Assy.	1
Aux. Mainshaft Bushing	AA1512-12	2
Countershaft Front Brg.	BS500192SX	2
Countershaft Rear Brg.	MU1308TVWS	2
Rev. Idler Gear Brg.	HJ223020-IR1820OH	2
Aux. Countershaft Front Brg.	4302074	2
Aux. Countershaft Rear Brg.	4302074	2
Spring	14897	3
Insert Valve	19974	1
O-Ring Kit	K-2054	1
Output Shaft Seal Kit	K-2918	1
Snap Ring	14317	2
Snap Ring	14750	1
Snap Ring	16763	1
Shim Kit	K-2805	1
Gasket Kit	K-2061	1
Snap Ring	16980	1
Sliding Clutch	4306647	1
Collet	83002	4
Connector	84004	2
Connector	85001	1
Sealer	LC54505	1
Input Shaft	S1659	1

TRK-3272		
Position	Part Number	Qty
Input Shaft Brg.	MU1212RUMW3	1
Aux. Drive Gear Brg.	5566507	1
Aux. Mainshaft Brg.	5556503	1
Aux. Mainshaft Bushing	AA1512-12	2
Countershaft Front Brg.	BS500192SX	2
Countershaft Rear Brg.	MU1308TVWS	2
Rev. Idler Gear Brg.	HJ223020-IR1820OH	2
Aux. Countershaft Front Brg.	4302074	2
Aux. Countershaft Rear Brg.	4302074	2
Spring	14897	3
Insert Valve	19974	1
O-Ring Kit	K-2054	1
Output Shaft Seal Kit	K-2918	1
Snap Ring	14317	2
Snap Ring	14750	1
Snap Ring	16763	1
Snap Ring	16980	1
Shim Kit	K-2805	1
Gasket Kit	K-2061	1
Spring	15918	3
Sliding Clutch	4306648	1
Collet	83002	4
Connector	84004	2
Connector	85001	1
Sealer	LC54505	1
Input Shaft	S1659	1

TRK-3272A		
Position	Part Number	Qty
Input Shaft Brg.	MU1212RUMW3	1
Aux. Drive Gear Brg.	5566507	1
Aux. Mainshaft Brg.	5556507 Assy.	1
Aux. Mainshaft Bushing	AA1512-12	2
Countershaft Front Brg.	BS500192SX	2
Countershaft Rear Brg.	MU1308TVWS	2
Rev. Idler Gear Brg.	HJ223020-IR1820OH	2
Aux. Countershaft Front Brg.	4302074	2
Aux. Countershaft Rear Brg.	4302074	2
Spring	14897	3
Insert Valve	19974	1
O-Ring Kit	K-2054	1
Output Shaft Seal Kit	K-2918	1
Snap Ring	14317	2
Snap Ring	14750	1
Snap Ring	16763	1
Snap Ring	16980	1
Shim Kit	K-2805	1
Gasket Kit	K-2061	1
Spring	15918	3
Sliding Clutch	4306648	1
Collet	83002	4
Connector	84004	2
Connector	85001	1
Sealer	LC54505	1
Input Shaft	S1659	1

TRK-3273		
Position	Part Number	Qty
Input Shaft Brg.	MU1212RUMW3	1
Input Shaft Pilot Bushing	BS59	1
Aux. Drive Gear Brg.	5566507	1
Aux. Mainshaft Brg.	5556503	1
Aux. Mainshaft Bushing	AA1512-12	2
Countershaft Front Brg.	BS500192SX	2
Countershaft Rear Brg.	MU1308TVWS	2
Rev. Idler Gear Brg.	HJ223020-IR1820OH	2
Aux. Countershaft Front Brg.	4302074	2
Aux. Countershaft Rear Brg.	4302074	2
Spring	14897	3
Insert Valve	19974	1
O-Ring Kit	K-2054	1
Output Shaft Seal Kit	K-2918	1
Snap Ring	14317	2
Snap Ring	14750	1
Snap Ring	16763	1
Shim Kit	K-2805	1
Gasket Kit	K-2061	1

TRK-3273A		
Position	Part Number	Qty
Input Shaft Brg.	MU1212RUMW3	1
Input Shaft Pilot Bushing	BS59	1
Aux. Drive Gear Brg.	5566507	1
Aux. Mainshaft Brg.	5556507 Assy.	1
Aux. Mainshaft Bushing	AA1512-12	2
Countershaft Front Brg.	BS500192SX	2
Countershaft Rear Brg.	MU1308TVWS	2
Rev. Idler Gear Brg.	HJ223020-IR1820OH	2
Aux. Countershaft Front Brg.	4302074	2
Aux. Countershaft Rear Brg.	4302074	2
Spring	14897	3
Insert Valve	19974	1
O-Ring Kit	K-2054	1
Output Shaft Seal Kit	K-2918	1
Snap Ring	14317	2
Snap Ring	14750	1
Snap Ring	16763	1
Shim Kit	K-2805	1
Gasket Kit	K-2061	1

TRK-3282		
Position	Part Number	Qty
Input Shaft Brg.	MU1212RUMW3	1
Aux. Drive Gear Brg.	5566507	1
Aux. Mainshaft Brg.	5556503	1
Aux. Mainshaft Bushing	AA1512-12	2
Countershaft Front Brg.	BS500192SX	2
Countershaft Rear Brg.	MU1308TVWS	2
Rev. Idler Gear Brg.	HJ223020-IR1820OH	2
Aux. Countershaft Front Brg.	4302074	2
Aux. Countershaft Rear Brg.	4302074	2
Spring	14897	3
Insert Valve	19974	1
O-Ring Kit	K-2846	1
Output Shaft Seal Kit	K-2918	1
Snap Ring	14317	2
Snap Ring	14750	1
Snap Ring	16763	1
Shim Kit	K-2805	1
Gasket Kit	K-2061	1
Spring	15918	3
Snap Ring	16980	1
Sliding Clutch	4306647	1
Connector	84006	1
Connector	85003	1
Sealer	LC54505	1
Input Shaft	S1659	1

Heavy Duty Transmission Rebuild Kits



TRK-3282A			TRK-3286			TRK-3322		
Position	Part Number	Qty	Position	Part Number	Qty	Position	Part Number	Qty
Input Shaft Brg.	MU1212RUMW3	1	Input Shaft Brg.	212SLV	1	Input Shaft Brg.	MU1212RUMW3	1
Aux. Drive Gear Brg.	5566507	1	Input Shaft Pilot Bushing	BS59	1	Input Shaft Pilot Bushing	BS59	1
Aux. Mainshaft Brg.	5556507 Assy.	1	Aux. Drive Gear Brg.	5566508	1	Aux. Drive Gear Brg.	5566507	1
Aux. Mainshaft Bushing	AA1512-12	2	Aux. Mainshaft Brg.	5556503	1	Aux. Mainshaft Brg.	21355	1
Countershaft Front Brg.	BS500192SX	2	Splitter Gear Brg.	4300902	1	Countershaft Front Brg.	BS500192SX	2
Countershaft Rear Brg.	MU1308TVWS	2	Countershaft Front Brg.	BS500192SX	2	Countershaft Rear Brg.	MU1308TVWS	2
Rev. Idler Gear Brg.	HJ223020-IR1820OH	2	Countershaft Rear Brg.	MU1308TMWS	2	Rev. Idler Gear Brg.	HJ223020-IR1820OH	2
Aux. Countershaft Front Brg.	4302074	2	Rev. Idler Gear Brg.	HJ223020-IR1820OH	2	Aux. Countershaft Front Brg.	4302074	2
Aux. Countershaft Rear Brg.	4302074	2	Aux. Countershaft Front Brg.	4302074	2	Aux. Countershaft Rear Brg.	4302074	2
Spring	14897	3	Aux. Countershaft Rear Brg.	4302074	2	Spring	14897	3
Insert Valve	19974	1	Spring	14897	3	O-Ring Kit	K-1450	1
O-Ring Kit	K-2846	1	Insert Valve	19974	1	Output Shaft Seal Kit	K-2262	1
Output Shaft Seal Kit	K-2918	1	O-Ring Kit	K-2804	1	Snap Ring	14317	2
Snap Ring	14317	2	Output Shaft Seal Kit	K-2918	1	Snap Ring	14750	1
Snap Ring	14750	1	Snap Ring	14317	2	Snap Ring	16763	2
Snap Ring	16763	1	Snap Ring	14750	1	Snap Ring	16980	1
Shim Kit	K-2805	1	Snap Ring	16980	1	Shim Kit	K-2805	1
Gasket Kit	K-2061	1	Snap Ring	4301254	1	Gasket Kit	K-2061	1
Spring	15918	3	Snap Ring	4303424	1	TRK-3323		
Snap Ring	16980	1	Shim Kit	K-2805	1	Position	Part Number	Qty
Sliding Clutch	4306647	1	Gasket Kit	K-3288	1	Input Shaft Brg.	MU1212RUMW3	1
Connector	84006	1	TRK-3287			Aux. Drive Gear Brg.	5566507	1
Connector	85003	1	Position	Part Number	Qty	Aux. Mainshaft Brg.	21355	1
Sealer	LC54505	1	Input Shaft Brg.	212SLV	1	Countershaft Front Brg.	BS500192SX	2
Input Shaft	S1659	1	Aux. Drive Gear Brg.	5566508	1	Countershaft Rear Brg.	MU1308TVWS	2
TRK-3283			Aux. Mainshaft Brg.	5556503	1	Rev. Idler Gear Brg.	HJ223020-IR1820OH	2
Position	Part Number	Qty	Splitter Gear Brg.	4300902	1	Aux. Countershaft Front Brg.	4302074	2
Input Shaft Brg.	MU1212RUMW3	1	Countershaft Front Brg.	BS500192SX	2	Aux. Countershaft Rear Brg.	4302074	2
Input Shaft Pilot Bushing	BS59	1	Countershaft Rear Brg.	MU1308TMWS	2	Spring	14897	3
Aux. Drive Gear Brg.	5566507	1	Rev. Idler Gear Brg.	HJ223020-IR1820OH	2	O-Ring Kit	K-1450	1
Aux. Mainshaft Brg.	5556503	1	Aux. Countershaft Front Brg.	4302074	2	Output Shaft Seal Kit	K-2262	1
Aux. Mainshaft Bushing	AA1512-12	2	Aux. Countershaft Rear Brg.	4302074	2	Snap Ring	14317	2
Countershaft Front Brg.	BS500192SX	2	Spring	14897	3	Snap Ring	14750	1
Countershaft Rear Brg.	MU1308TVWS	2	Insert Valve	19974	1	Snap Ring	16763	2
Rev. Idler Gear Brg.	HJ223020-IR1820OH	2	O-Ring Kit	K-2804	1	Snap Ring	16980	1
Aux. Countershaft Front Brg.	4302074	2	Output Shaft Seal Kit	K-2918	1	Shim Kit	K-2805	1
Aux. Countershaft Rear Brg.	4302074	2	Snap Ring	14317	2	Gasket Kit	K-2061	1
Spring	14897	3	Snap Ring	14750	1	Spring	15918	3
Insert Valve	19974	1	Snap Ring	16980	1	Sliding Clutch	4306648	1
O-Ring Kit	K-2846	1	Snap Ring	4301254	1	Collet	83001	4
Output Shaft Seal Kit	K-2918	1	Snap Ring	4303424	1	Connector	84002	1
Snap Ring	14317	2	Shim Kit	K-2805	1	Connector	85002	1
Snap Ring	14750	1	Gasket Kit	K-3288	1	Sealer	LC54505	1
Snap Ring	16763	1	Spring	15918	3	Input Shaft	S1659	1
Shim Kit	K-2805	1	Sliding Clutch	4304317	1			
Gasket Kit	K-2061	1	Connector	84006	2			
TRK-3283A			Connector	85003	1			
Position	Part Number	Qty	Connector	85003	1			
Input Shaft Brg.	MU1212RUMW3	1	Sealer	LC54505	1			
Input Shaft Pilot Bushing	BS59	1	Input Shaft	S1659	1			
Aux. Drive Gear Brg.	5566507	1						
Aux. Mainshaft Brg.	5556507 Assy.	1						
Aux. Mainshaft Bushing	AA1512-12	2						
Countershaft Front Brg.	BS500192SX	2						
Countershaft Rear Brg.	MU1308TVWS	2						
Rev. Idler Gear Brg.	HJ223020-IR1820OH	2						
Aux. Countershaft Front Brg.	4302074	2						
Aux. Countershaft Rear Brg.	4302074	2						
Spring	14897	3						
Insert Valve	19974	1						
O-Ring Kit	K-2846	1						
Output Shaft Seal Kit	K-2918	1						
Snap Ring	14317	2						
Snap Ring	14750	1						
Snap Ring	16763	1						
Shim Kit	K-2805	1						
Gasket Kit	K-2061	1						

HD Transmission

Heavy Duty Transmission Rebuild Kits



HD Transmission

TRK-3339		
Position	Part Number	Qty
Input Shaft Brg.	212SLV	1
Aux. Drive Gear Brg.	5566510	1
Aux. Mainshaft Brg.	5556503	1
Splitter Gear Brg.	4300902	1
Countershaft Front Brg.	BS500192SX	2
Countershaft Rear Brg.	BS500052V	2
Rev. Idler Gear Brg.	HJ223020-IR1820OH	2
Aux. Countershaft Front Brg.	NP656227-NP896049	2
Aux. Countershaft Rear Brg.	NP656227-NP896049	2
Spring	14897	3
O-Ring Kit	K-3341	1
Output Shaft Seal Kit	K-2918	1
Snap Ring	14750	1
Snap Ring	16980	1
Snap Ring	4301254	1
Snap Ring	4302082	2
Snap Ring	4303424	1
Shim Kit	K-2805	1
Gasket Kit	K-3288	1
Spring	15918	3
Sliding Clutch	4304317	1
Connector	84006	2
Connector	85003	1
Sealer	LC54505	1
Input Shaft	S1659	1

TRK-3339A		
Position	Part Number	Qty
Input Shaft Brg.	212SLV	1
Aux. Drive Gear Brg.	5566510	1
Aux. Mainshaft Brg.	5556507 Assy.	1
Splitter Gear Brg.	4300902	1
Countershaft Front Brg.	BS500192SX	2
Countershaft Rear Brg.	BS500052V	2
Rev. Idler Gear Brg.	HJ223020-IR1820OH	2
Aux. Countershaft Front Brg.	NP656227-NP896049	2
Aux. Countershaft Rear Brg.	NP656227-NP896049	2
Spring	14897	3
O-Ring Kit	K-3341	1
Output Shaft Seal Kit	K-2918	1
Snap Ring	14750	1
Snap Ring	16980	1
Snap Ring	4301254	1
Snap Ring	4302082	2
Snap Ring	4303424	1
Shim Kit	K-2805	1
Gasket Kit	K-3288	1
Spring	15918	3
Sliding Clutch	4304317	1
Connector	84006	2
Connector	85003	1
Sealer	LC54505	1
Input Shaft	S1659	1

TRK-3340		
Position	Part Number	Qty
Input Shaft Brg.	212SLV	1
Input Shaft Pilot Bushing	BS59	1
Aux. Drive Gear Brg.	5566510	1
Aux. Mainshaft Brg.	5556503	1
Splitter Gear Brg.	4300902	1
Countershaft Front Brg.	BS500192SX	2
Countershaft Rear Brg.	BS500052V	2
Rev. Idler Gear Brg.	HJ223020-IR1820OH	2
Aux. Countershaft Front Brg.	NP656227-NP896049	2
Aux. Countershaft Rear Brg.	NP656227-NP896049	2
Spring	14897	3
O-Ring Kit	K-3341	1
Output Shaft Seal Kit	K-2918	1
Snap Ring	14750	1
Snap Ring	16980	1
Snap Ring	4301254	1
Snap Ring	4302082	2
Snap Ring	4303424	1
Shim Kit	K-2805	1
Gasket Kit	K-3288	1

TRK-3340A		
Position	Part Number	Qty
Input Shaft Brg.	212SLV	1
Input Shaft Pilot Bushing	BS59	1
Aux. Drive Gear Brg.	5566510	1
Aux. Mainshaft Brg.	5556507 Assy.	1
Splitter Gear Brg.	4300902	1
Countershaft Front Brg.	BS500192SX	2
Countershaft Rear Brg.	BS500052V	2
Rev. Idler Gear Brg.	HJ223020-IR1820OH	2
Aux. Countershaft Front Brg.	NP656227-NP896049	2
Aux. Countershaft Rear Brg.	NP656227-NP896049	2
Spring	14897	3
O-Ring Kit	K-3341	1
Output Shaft Seal Kit	K-2918	1
Snap Ring	14750	1
Snap Ring	16980	1
Snap Ring	4301254	1
Snap Ring	4302082	2
Snap Ring	4303424	1
Shim Kit	K-2805	1
Gasket Kit	K-3288	1

TRK-3342		
Position	Part Number	Qty
Input Shaft Brg.	212SLV	1
Aux. Drive Gear Brg.	5566508	1
Aux. Mainshaft Brg.	5556503	1
Countershaft Front Brg.	BS500192SX	2
Countershaft Rear Brg.	BS500052V	2
Rev. Idler Gear Brg.	HJ223020-IR1820OH	2
Aux. Countershaft Front Brg.	4302074	2
Aux. Countershaft Rear Brg.	4302074	2
Spring	14897	3
Output Shaft Seal Kit	K-2918	1
O-Ring Kit	K-3341	1
Snap Ring Set	SR3340	1
Snap Ring	4302082	2
Shim Kit	K-2805	1
Gasket Kit	K-3288	1
Spring	15918	3
Sliding Clutch	4304317	1
Connector	84006	2
Connector	85003	1
Sealer	LC54505	1
Input Shaft	S1659	1

TRK-3342A		
Position	Part Number	Qty
Input Shaft Brg.	212SLV	1
Aux. Drive Gear Brg.	5566508	1
Aux. Mainshaft Brg.	5556507 Assy.	1
Countershaft Front Brg.	BS500192SX	2
Countershaft Rear Brg.	BS500052V	2
Rev. Idler Gear Brg.	HJ223020-IR1820OH	2
Aux. Countershaft Front Brg.	4302074	2
Aux. Countershaft Rear Brg.	4302074	2
Spring	14897	3
Output Shaft Seal Kit	K-2918	1
O-Ring Kit	K-3341	1
Snap Ring Set	SR3340	1
Snap Ring	4302082	2
Shim Kit	K-2805	1
Gasket Kit	K-3288	1
Spring	15918	3
Sliding Clutch	4304317	1
Connector	84006	2
Connector	85003	1
Sealer	LC54505	1
Input Shaft	S1659	1

TRK-3343		
Position	Part Number	Qty
Input Shaft Brg.	212SLV	1
Input Shaft Pilot Bushing	BS59	1
Aux. Drive Gear Brg.	5566508	1
Aux. Mainshaft Brg.	5556503	1
Countershaft Front Brg.	BS500192SX	2
Countershaft Rear Brg.	BS500052V	2
Rev. Idler Gear Brg.	HJ223020-IR1820OH	2
Aux. Countershaft Front Brg.	4302074	2
Aux. Countershaft Rear Brg.	4302074	2
Spring	14897	3
Output Shaft Seal Kit	K-2918	1
O-Ring Kit	K-3341	1
Snap Ring Set	SR3340	1
Snap Ring	4302082	2
Shim Kit	K-2805	1
Gasket Kit	K-3288	1

TRK-3343A		
Position	Part Number	Qty
Input Shaft Brg.	212SLV	1
Input Shaft Pilot Bushing	BS59	1
Aux. Drive Gear Brg.	5566508	1
Aux. Mainshaft Brg.	5556507 Assy.	1
Countershaft Front Brg.	BS500192SX	2
Countershaft Rear Brg.	BS500052V	2
Rev. Idler Gear Brg.	HJ223020-IR1820OH	2
Aux. Countershaft Front Brg.	4302074	2
Aux. Countershaft Rear Brg.	4302074	2
Spring	14897	3
Output Shaft Seal Kit	K-2918	1
O-Ring Kit	K-3341	1
Snap Ring Set	SR3340	1
Snap Ring	4302082	2
Shim Kit	K-2805	1
Gasket Kit	K-3288	1

Heavy Duty Transmission Rebuild Kits



TRK-3344		
Position	Part Number	Qty
Aux. Mainshaft Brg.	21356	1
Aux. Countershaft Front Brg.	4302074	2
Aux. Countershaft Rear Brg.	4302074	2
Spring	14897	3
Insert Valve	19974	1
Output Shaft Seal Kit	K-2262	1
O-Ring Kit	K-2804	1
Connector	85003	1
Shim Kit	K-2805	1
Gasket Kit	K-1603	1

TRK-3345		
Position	Part Number	Qty
Input Shaft Brg.	212SLV	1
Aux. Drive Gear Brg.	5566508	1
Aux. Mainshaft Brg.	21356	1
Countershaft Front Brg.	BS500192SX	2
Countershaft Rear Brg.	MU1308TVWS	2
Rev. Idler Gear Brg.	HJ223020-IR18200H	2
Aux. Countershaft Front Brg.	4302074	2
Aux. Countershaft Rear Brg.	4302074	2
Spring	14897	3
Insert Valve	19974	1
Output Shaft Seal Kit	K-2262	1
O-Ring Kit	K-2804	1
Snap Ring	14317	2
Snap Ring	14750	1
Snap Ring	16980	1
Snap Ring	4301254	2
Shim Kit	K-2805	1
Gasket Kit	K-2199	1
Spring	15918	3
Sliding Clutch	4304317	1
Connector	84005	2
Connector	85003	1
Sealer	LC54505	1
Input Shaft	S1659	1

TRK-3346		
Position	Part Number	Qty
Input Shaft Brg.	212SLV	1
Input Shaft Pilot Bushing	BS59	1
Aux. Drive Gear Brg.	5566508	1
Aux. Mainshaft Brg.	21356	1
Countershaft Front Brg.	BS500192SX	2
Countershaft Rear Brg.	MU1308TVWS	2
Rev. Idler Gear Brg.	HJ223020-IR18200H	2
Aux. Countershaft Front Brg.	4302074	2
Aux. Countershaft Rear Brg.	4302074	2
Spring	14897	3
Insert Valve	19974	1
Output Shaft Seal Kit	K-2262	1
O-Ring Kit	K-2804	1
Snap Ring	14317	2
Snap Ring	14750	1
Snap Ring	16980	1
Snap Ring	4301254	2
Shim Kit	K-2805	1
Gasket Kit	K-2199	1

TRK-3347		
Position	Part Number	Qty
Input Shaft Brg.	212SLV	1
Aux. Drive Gear Brg.	5566508	1
Aux. Mainshaft Brg.	5556503	1
Countershaft Front Brg.	BS500192SX	2
Countershaft Rear Brg.	MU1308TVWS	2
Rev. Idler Gear Brg.	HJ223020-IR18200H	2
Aux. Countershaft Front Brg.	4302074	2
Aux. Countershaft Rear Brg.	4302074	2
Spring	14897	3
Output Shaft Seal Kit	K-2918	1
O-Ring Kit	K-3341	1
Snap Ring	14317	2
Snap Ring	14750	1
Snap Ring	16980	1
Snap Ring	4301254	1
Shim Kit	K-2805	1
Gasket Kit	K-3288	1
Spring	15918	3
Sliding Clutch	4304317	1
Connector	84006	2
Connector	85003	1
Sealer	LC54505	1
Input Shaft	S1659	1

TRK-3348		
Position	Part Number	Qty
Input Shaft Brg.	212SLV	1
Input Shaft Pilot Bushing	BS59	1
Aux. Drive Gear Brg.	5566508	1
Aux. Mainshaft Brg.	5556503	1
Countershaft Front Brg.	BS500192SX	2
Countershaft Rear Brg.	MU1308TVWS	2
Rev. Idler Gear Brg.	HJ223020-IR18200H	2
Aux. Countershaft Front Brg.	4302074	2
Aux. Countershaft Rear Brg.	4302074	2
Spring	14897	3
Output Shaft Seal Kit	K-2918	1
O-Ring Kit	K-3341	1
Snap Ring	14317	2
Snap Ring	14750	1
Snap Ring	16980	1
Snap Ring	4301254	1
Shim Kit	K-2805	1
Gasket Kit	K-3288	1

TRK-3350		
Position	Part Number	Qty
Input Shaft Brg.	212SLV	1
Aux. Drive Gear Brg.	5566508	1
Aux. Mainshaft Brg.	5556503	1
Countershaft Front Brg.	BS500192SX	2
Countershaft Rear Brg.	MU1308TVWS	2
Rev. Idler Gear Brg.	HJ223020-IR18200H	2
Aux. Countershaft Front Brg.	4302074	2
Aux. Countershaft Rear Brg.	4302074	2
Spring	14897	3
Output Shaft Seal Kit	K-2918	1
O-Ring Kit	K-3341	1
Snap Ring	14317	2
Snap Ring	14750	1
Snap Ring	16980	1
Snap Ring	4301254	1
Shim Kit	K-2805	1
Gasket Kit	K-3288	1
Spring	15918	3
Sliding Clutch	4304317	1
Connector	84006	2
Connector	85003	1
Sealer	LC54505	1
Input Shaft	S1659	1

TRK-3351		
Position	Part Number	Qty
Input Shaft Brg.	212SLV	1
Input Shaft Pilot Bushing	BS59	1
Aux. Drive Gear Brg.	5566508	1
Aux. Mainshaft Brg.	5556503	1
Countershaft Front Brg.	BS500192SX	2
Countershaft Rear Brg.	MU1308TVWS	2
Rev. Idler Gear Brg.	HJ223020-IR18200H	2
Aux. Countershaft Front Brg.	4302074	2
Aux. Countershaft Rear Brg.	4302074	2
Spring	14897	3
Output Shaft Seal Kit	K-2918	1
O-Ring Kit	K-3341	1
Snap Ring	14317	2
Snap Ring	14750	1
Snap Ring	16980	1
Snap Ring	4301254	1
Shim Kit	K-2805	1
Gasket Kit	K-3288	1

HD Transmission

Heavy Duty Transmission Rebuild Kits



HD Transmission

TRK-3354		
Position	Part Number	Qty
Input Shaft Brg.	212SLV	1
Aux. Drive Gear Brg.	5566508	1
Aux. Mainshaft Brg.	5556503	1
Splitter Gear Brg.	4300902	1
Countershaft Front Brg.	BS500192SX	2
Countershaft Rear Brg.	MU1308TVWS	2
Rev. Idler Gear Brg.	HJ223020-IR1820OH	2
Aux. Countershaft Front Brg.	NP656227-NP896049	2
Aux. Countershaft Rear Brg.	NP656227-NP896049	2
Spring	14897	3
Output Shaft Seal Kit	K-2918	1
O-Ring Kit	K-3341	1
Snap Ring	14317	2
Snap Ring	14750	1
Snap Ring	16980	1
Snap Ring	4301254	1
Snap Ring	4303424	1
Shim Kit	K-2805	1
Gasket Kit	K-3288	1
Spring	15918	3
Connector	84006	2
Connector	85003	1
Sliding Clutch	4304317	1
Input Shaft	S1659	1

TRK-3354A		
Position	Part Number	Qty
Input Shaft Brg.	212SLV	1
Aux. Drive Gear Brg.	5566508	1
Aux. Mainshaft Brg.	5556507 Assy.	1
Splitter Gear Brg.	4300902	1
Countershaft Front Brg.	BS500192SX	2
Countershaft Rear Brg.	MU1308TVWS	2
Rev. Idler Gear Brg.	HJ223020-IR1820OH	2
Aux. Countershaft Front Brg.	NP656227-NP896049	2
Aux. Countershaft Rear Brg.	NP656227-NP896049	2
Spring	14897	3
Output Shaft Seal Kit	K-2918	1
O-Ring Kit	K-3341	1
Snap Ring	14317	2
Snap Ring	14750	1
Snap Ring	16980	1
Snap Ring	4301254	1
Snap Ring	4303424	1
Shim Kit	K-2805	1
Gasket Kit	K-3288	1
Spring	15918	3
Connector	84006	2
Connector	85003	1
Sliding Clutch	4304317	1
Input Shaft	S1659	1

TRK-3355		
Position	Part Number	Qty
Input Shaft Brg.	212SLV	1
Input Shaft Pilot Bushing	BS59	1
Aux. Drive Gear Brg.	5566508	1
Aux. Mainshaft Brg.	5556503	1
Splitter Gear Brg.	4300902	1
Countershaft Front Brg.	BS500192SX	2
Countershaft Rear Brg.	MU1308TVWS	2
Rev. Idler Gear Brg.	HJ223020-IR1820OH	2
Aux. Countershaft Front Brg.	NP656227-NP896049	2
Aux. Countershaft Rear Brg.	NP656227-NP896049	2
Spring	14897	3
Output Shaft Seal Kit	K-2918	1
O-Ring Kit	K-3341	1
Snap Ring	14317	2
Snap Ring	14750	1
Snap Ring	16980	1
Snap Ring	4301254	1
Snap Ring	4303424	1
Shim Kit	K-2805	1
Gasket Kit	K-3288	1

TRK-3355A		
Position	Part Number	Qty
Input Shaft Brg.	212SLV	1
Input Shaft Pilot Bushing	BS59	1
Aux. Drive Gear Brg.	5566508	1
Aux. Mainshaft Brg.	5556507 Assy.	1
Splitter Gear Brg.	4300902	1
Countershaft Front Brg.	BS500192SX	2
Countershaft Rear Brg.	MU1308TVWS	2
Rev. Idler Gear Brg.	HJ223020-IR1820OH	2
Aux. Countershaft Front Brg.	NP656227-NP896049	2
Aux. Countershaft Rear Brg.	NP656227-NP896049	2
Spring	14897	3
Output Shaft Seal Kit	K-2918	1
O-Ring Kit	K-3341	1
Snap Ring	14317	2
Snap Ring	14750	1
Snap Ring	16980	1
Snap Ring	4301254	1
Snap Ring	4303424	1
Shim Kit	K-2805	1
Gasket Kit	K-3288	1

TRK-3413		
Position	Part Number	Qty
Input Shaft Brg.	MU1212RUMW3	1
Input Shaft Pilot Bushing	BS59	1
Aux. Drive Gear Brg.	5566508	1
Aux. Mainshaft Bushing	AA1512-12	2
Aux. Mainshaft Brg.	5556503	1
Countershaft Front Brg.	BS500192SX	2
Countershaft Rear Brg.	MU1308TVWS	2
Rev. Idler Gear Brg.	HJ223020-IR1820OH	2
Aux. Countershaft Front Brg.	4302074	2
Aux. Countershaft Rear Brg.	4302074	2
Spring	14897	3
Insert Valve	19974	1
Output Shaft Seal Kit	K-2918	1
O-Ring Kit	K-2846	1
Snap Ring	14317	2
Snap Ring	14750	1
Snap Ring	16763	1
Shim Kit	K-2805	1
Gasket Kit	K-2061	1

TRK-3413A		
Position	Part Number	Qty
Input Shaft Brg.	MU1212RUMW3	1
Input Shaft Pilot Bushing	BS59	1
Aux. Drive Gear Brg.	5566508	1
Aux. Mainshaft Bushing	AA1512-12	2
Aux. Mainshaft Brg.	5556507 Assy.	1
Countershaft Front Brg.	BS500192SX	2
Countershaft Rear Brg.	MU1308TVWS	2
Rev. Idler Gear Brg.	HJ223020-IR1820OH	2
Aux. Countershaft Front Brg.	4302074	2
Aux. Countershaft Rear Brg.	4302074	2
Spring	14897	3
Insert Valve	19974	1
Output Shaft Seal Kit	K-2918	1
O-Ring Kit	K-2846	1
Snap Ring	14317	2
Snap Ring	14750	1
Snap Ring	16763	1
Shim Kit	K-2805	1
Gasket Kit	K-2061	1

TRK-3414		
Position	Part Number	Qty
Input Shaft Brg.	MU1212RUMW3	1
Aux. Drive Gear Brg.	5566508	1
Aux. Mainshaft Bushing	AA1512-12	2
Aux. Mainshaft Brg.	5556503	1
Countershaft Front Brg.	BS500192SX	2
Countershaft Rear Brg.	MU1308TVWS	2
Rev. Idler Gear Brg.	HJ223020-IR1820OH	2
Aux. Countershaft Front Brg.	4302074	2
Aux. Countershaft Rear Brg.	4302074	2
Spring	14897	3
Insert Valve	19974	1
Output Shaft Seal Kit	K-2918	1
O-Ring Kit	K-2846	1
Snap Ring	14317	2
Snap Ring	14750	1
Snap Ring	16763	1
Shim Kit	K-2805	1
Gasket Kit	K-2061	1
Spring	15918	3
Sliding Clutch	4306647	1
Connector	84006	1
Connector	85003	1
Sealer	LC54505	1
Input Shaft	S1659	1

Heavy Duty Transmission Rebuild Kits



TRK-3414A		
Position	Part Number	Qty
Input Shaft Brg.	MU1212RUMW3	1
Aux. Drive Gear Brg.	5566508	1
Aux. Mainshaft Bushing	AA1512-12	2
Aux. Mainshaft Brg.	5566507 Assy.	1
Countershaft Front Brg.	BS500192SX	2
Countershaft Rear Brg.	MU1308TVWS	2
Rev. Idler Gear Brg.	HJ223020-IR18200H	2
Aux. Countershaft Front Brg.	4302074	2
Aux. Countershaft Rear Brg.	4302074	2
Spring	14897	3
Insert Valve	19974	1
Output Shaft Seal Kit	K-2918	1
O-Ring Kit	K-2846	1
Snap Ring	14317	2
Snap Ring	14750	1
Snap Ring	16763	1
Shim Kit	K-2805	1
Gasket Kit	K-2061	1
Spring	15918	3
Sliding Clutch	4306647	1
Connector	84006	1
Connector	85003	1
Sealer	LC54505	1
Input Shaft	S1659	1

TRK-3423		
Position	Part Number	Qty
Input Shaft Brg.	39590-39520	1
Input Shaft Pilot Brg.	31594	1
Output Shaft Brg.	45285A-45220	1
Mainshaft 6th Gear Brg.	FW505520	2
Mainshaft 4th Gear Brg.	FW556020	2
Mainshaft 3rd Gear Brg.	FW657020	2
Mainshaft 2nd Gear Brg.	FW707620	2
Mainshaft 1st Gear Brg.	FW707620	2
Mainshaft Rev. Gear Brg.	4304555	1
Countershaft Front Brg.	25590-25522	1
Countershaft Rear Brg.	3782-3720	1
Rev. Idler Gear Brg.	FW404820	2
Snap Ring	3315686	1
Snap Ring	3315725	2
Spring	3315765	4
Plug	3315679	1
Shim Kit	K-2183	1
Output Shaft Seal	4300119	1
Input Shaft Seal	710211 (1.875x2.677)	1
Gasket Kit	K-7028	1

TRK-3425		
Position	Part Number	Qty
Input Shaft Brg.	212SLV	1
Aux. Drive Gear Brg.	5566508	1
Aux. Mainshaft Brg.	5566503	1
Splitter Gear Brg.	4300902	1
Countershaft Front Brg.	BS500192SX	2
Countershaft Rear Brg.	BS500052V	2
Rev. Idler Gear Brg.	HJ223020-IR18200H	2
Aux. Countershaft Front Brg.	4302074	2
Aux. Countershaft Rear Brg.	4302074	2
Spring	14897	3
Output Shaft Seal Kit	K-2918	1
O-Ring Kit	K-3341	1
Snap Ring	14750	1
Snap Ring	16980	1
Snap Ring	4301254	1
Snap Ring	4302082	2
Snap Ring	4303424	2
Gasket Kit	K-3288	1
Shim Kit	K-2805	1
Spring	15918	3
Sliding Clutch	4304317	1
Connector	84006	2
Connector	85003	1
Sealer	LC54505	1
Input Shaft	S1659	1

TRK-3425A		
Position	Part Number	Qty
Input Shaft Brg.	212SLV	1
Aux. Drive Gear Brg.	5566508	1
Aux. Mainshaft Brg.	5566507 Assy.	1
Splitter Gear Brg.	4300902	1
Countershaft Front Brg.	BS500192SX	2
Countershaft Rear Brg.	BS500052V	2
Rev. Idler Gear Brg.	HJ223020-IR18200H	2
Aux. Countershaft Front Brg.	4302074	2
Aux. Countershaft Rear Brg.	4302074	2
Spring	14897	3
Output Shaft Seal Kit	K-2918	1
O-Ring Kit	K-3341	1
Snap Ring	14750	1
Snap Ring	16980	1
Snap Ring	4301254	1
Snap Ring	4302082	2
Snap Ring	4303424	2
Gasket Kit	K-3288	1
Shim Kit	K-2805	1
Spring	15918	3
Sliding Clutch	4304317	1
Connector	84006	2
Connector	85003	1
Sealer	LC54505	1
Input Shaft	S1659	1

TRK-3426		
Position	Part Number	Qty
Input Shaft Brg.	212SLV	1
Input Shaft Pilot Bushing	BS59	1
Aux. Drive Gear Brg.	5566508	1
Aux. Mainshaft Brg.	5566503	1
Splitter Gear Brg.	4300902	1
Countershaft Front Brg.	BS500192SX	2
Countershaft Rear Brg.	BS500052V	2
Rev. Idler Gear Brg.	HJ223020-IR18200H	2
Aux. Countershaft Front Brg.	4302074	2
Aux. Countershaft Rear Brg.	4302074	2
Spring	14897	3
Output Shaft Seal Kit	K-2918	1
O-Ring Kit	K-3341	1
Snap Ring	14750	1
Snap Ring	16980	1
Snap Ring	4301254	1
Snap Ring	4302082	2
Snap Ring	4303424	2
Gasket Kit	K-3288	1
Shim Kit	K-2805	1

TRK-3426A		
Position	Part Number	Qty
Input Shaft Brg.	212SLV	1
Input Shaft Pilot Bushing	BS59	1
Aux. Drive Gear Brg.	5566508	1
Aux. Mainshaft Brg.	5566507 Assy.	1
Splitter Gear Brg.	4300902	1
Countershaft Front Brg.	BS500192SX	2
Countershaft Rear Brg.	BS500052V	2
Rev. Idler Gear Brg.	HJ223020-IR18200H	2
Aux. Countershaft Front Brg.	4302074	2
Aux. Countershaft Rear Brg.	4302074	2
Spring	14897	3
Output Shaft Seal Kit	K-2918	1
O-Ring Kit	K-3341	1
Snap Ring	14750	1
Snap Ring	16980	1
Snap Ring	4301254	1
Snap Ring	4302082	2
Snap Ring	4303424	2
Gasket Kit	K-3288	1
Shim Kit	K-2805	1

TRK-3440		
Position	Part Number	Qty
Input Shaft Brg.	39590-39520	1
Input Shaft Pilot Brg.	31594	1
Output Shaft Brg.	45285A-45220	1
Countershaft Front Brg.	25590-25522	1
Countershaft Rear Brg.	3782-3720	1
1st Gear Brg.	FW707620	2
2nd Gear Brg.	FW707620	2
3rd Gear Brg.	FW657020	2
4th Gear Brg.	FW556020	2
5th Gear Brg.	FW505520	2
Rev. Gear Brg.	FW556020	2
Rev. Idler Gear Brg.	FW404820	2
Countershaft Plug	3315679	1
Spring	691644	4
Snap Ring	3315686	1
Snap Ring	3315725	2
Input Shaft Seal	710211 (1.875x2.677)	1
Output Shaft Seal	4300119	1
Shim Kit	K-2183	1
Gasket Set	K-3738	1

HD Transmission

Heavy Duty Transmission Rebuild Kits



HD Transmission

TRK-3459		
Position	Part Number	Qty
Input Shaft Brg.	212SLV	1
Aux. Drive Gear Brg.	5566510	1
Aux. Mainshaft Brg.	5556503	1
Countershaft Front Brg.	BS500192SX	2
Countershaft Rear Brg.	BS500052V	2
Rev. Idler Gear Brg.	HJ223020-IR1820OH	2
Aux. Countershaft Front Brg.	NP656227-NP896049	2
Aux. Countershaft Rear Brg.	NP656227-NP896049	2
Spring	14897	3
Output Shaft Seal Kit	K-2918	1
O-Ring Kit	K-3341	1
Snap Ring	14750	1
Snap Ring	16980	1
Snap Ring	4301254	1
Snap Ring	4302082	2
Shim Kit	K-2805	1
Gasket Kit	K-3458	1
Spring	15918	3
Sliding Clutch	4304317	1
Connector	84006	2
Connector	85003	1
Sealer	LC54505	1
Input Shaft	S1659	1

TRK-3459A		
Position	Part Number	Qty
Input Shaft Brg.	212SLV	1
Aux. Drive Gear Brg.	5566510	1
Aux. Mainshaft Brg.	5556507 Assy.	1
Countershaft Front Brg.	BS500192SX	2
Countershaft Rear Brg.	BS500052V	2
Rev. Idler Gear Brg.	HJ223020-IR1820OH	2
Aux. Countershaft Front Brg.	NP656227-NP896049	2
Aux. Countershaft Rear Brg.	NP656227-NP896049	2
Spring	14897	3
Output Shaft Seal Kit	K-2918	1
O-Ring Kit	K-3341	1
Snap Ring	14750	1
Snap Ring	16980	1
Snap Ring	4301254	1
Snap Ring	4302082	2
Shim Kit	K-2805	1
Gasket Kit	K-3458	1
Spring	15918	3
Sliding Clutch	4304317	1
Connector	84006	2
Connector	85003	1
Sealer	LC54505	1
Input Shaft	S1659	1

TRK-3460		
Position	Part Number	Qty
Input Shaft Brg.	212SLV	1
Input Shaft Pilot Bushing	BS59	1
Aux. Drive Gear Brg.	5566510	1
Aux. Mainshaft Brg.	5556503	1
Countershaft Front Brg.	BS500192SX	2
Countershaft Rear Brg.	BS500052V	2
Rev. Idler Gear Brg.	HJ223020-IR1820OH	2
Aux. Countershaft Front Brg.	NP656227-NP896049	2
Aux. Countershaft Rear Brg.	NP656227-NP896049	2
Spring	14897	3
Output Shaft Seal Kit	K-2918	1
O-Ring Kit	K-3341	1
Snap Ring	14750	1
Snap Ring	16980	1
Snap Ring	4301254	1
Snap Ring	4302082	2
Shim Kit	K-2805	1
Gasket Kit	K-3458	1

TRK-3460A		
Position	Part Number	Qty
Input Shaft Brg.	212SLV	1
Input Shaft Pilot Bushing	BS59	1
Aux. Drive Gear Brg.	5566510	1
Aux. Mainshaft Brg.	5556507 Assy.	1
Countershaft Front Brg.	BS500192SX	2
Countershaft Rear Brg.	BS500052V	2
Rev. Idler Gear Brg.	HJ223020-IR1820OH	2
Aux. Countershaft Front Brg.	NP656227-NP896049	2
Aux. Countershaft Rear Brg.	NP656227-NP896049	2
Spring	14897	3
Output Shaft Seal Kit	K-2918	1
O-Ring Kit	K-3341	1
Snap Ring	14750	1
Snap Ring	16980	1
Snap Ring	4301254	1
Snap Ring	4302082	2
Shim Kit	K-2805	1
Gasket Kit	K-3458	1

TRK-3461		
Position	Part Number	Qty
Input Shaft Brg.	MU1212RUMW3	1
Aux. Drive Gear Brg.	5566510	1
Aux. Mainshaft Brg.	5556503	1
Splitter Gear Brg.	4300902	1
Countershaft Front Brg.	BS500192SX	2
Countershaft Rear Brg.	BS500052V	2
Rev. Idler Gear Brg.	HJ223020-IR1820OH	2
Aux. Countershaft Front Brg.	NP656227-NP896049	2
Aux. Countershaft Rear Brg.	NP656227-NP896049	2
Spring	14897	3
Output Shaft Seal Kit	K-2918	1
O-Ring Kit	K-3341	1
Snap Ring	14750	1
Snap Ring	16980	1
Snap Ring	4301254	1
Snap Ring	4302082	1
Snap Ring	4303424	1
Shim Kit	K-2805	1
Gasket Kit	K-3458	1
Spring	15918	3
Sliding Clutch	4304317	1
Connector	85003	3
Sealer	LC54505	1
Input Shaft	S2890	1

TRK-3461A		
Position	Part Number	Qty
Input Shaft Brg.	MU1212RUMW3	1
Aux. Drive Gear Brg.	5566510	1
Aux. Mainshaft Brg.	5556507 Assy.	1
Splitter Gear Brg.	4300902	1
Countershaft Front Brg.	BS500192SX	2
Countershaft Rear Brg.	BS500052V	2
Rev. Idler Gear Brg.	HJ223020-IR1820OH	2
Aux. Countershaft Front Brg.	NP656227-NP896049	2
Aux. Countershaft Rear Brg.	NP656227-NP896049	2
Spring	14897	3
Output Shaft Seal Kit	K-2918	1
O-Ring Kit	K-3341	1
Snap Ring	14750	1
Snap Ring	16980	1
Snap Ring	4301254	1
Snap Ring	4302082	1
Snap Ring	4303424	1
Shim Kit	K-2805	1
Gasket Kit	K-3458	1
Spring	15918	3
Sliding Clutch	4304317	1
Connector	85003	3
Sealer	LC54505	1
Input Shaft	S2890	1

TRK-3462		
Position	Part Number	Qty
Input Shaft Brg.	MU1212RUMW3	1
Input Shaft Pilot Bushing	BS59	1
Aux. Drive Gear Brg.	5566510	1
Aux. Mainshaft Brg.	5556503	1
Splitter Gear Brg.	4300902	1
Countershaft Front Brg.	BS500192SX	2
Countershaft Rear Brg.	BS500052V	2
Rev. Idler Gear Brg.	HJ223020-IR1820OH	2
Aux. Countershaft Front Brg.	NP656227-NP896049	2
Aux. Countershaft Rear Brg.	NP656227-NP896049	2
Spring	14897	3
Output Shaft Seal Kit	K-2918	1
O-Ring Kit	K-3341	1
Snap Ring	14750	1
Snap Ring	16980	1
Snap Ring	4301254	1
Snap Ring	4302082	1
Snap Ring	4303424	1
Shim Kit	K-2805	1
Gasket Kit	K-3458	1

Heavy Duty Transmission Rebuild Kits



TRK-3462A			TRK-3488			TRK-3513		
Position	Part Number	Qty	Position	Part Number	Qty	Position	Part Number	Qty
Input Shaft Brg.	MU1212RUMW3	1	Input Shaft Brg.	212SLV	1	Input Shaft Brg.	212SLV	1
Input Shaft Pilot Bushing	BS59	1	Input Shaft Pilot Bushing	BS59	1	Aux. Drive Gear Brg.	5566510	1
Aux. Drive Gear Brg.	5566510	1	Aux. Drive Gear Brg.	5566507	1	Aux. Mainshaft Brg.	5556503	1
Aux. Mainshaft Brg.	5556507 Assy.	1	Aux. Mainshaft Brg.	21355	1	Splitter Gear Brg.	4300902	1
Splitter Gear Brg.	4300902	1	Countershaft Front Brg.	BS500192SX	2	Countershaft Front Brg.	BS500192SX	2
Countershaft Front Brg.	BS500192SX	2	Countershaft Rear Brg.	MU1308TVWS	2	Countershaft Rear Brg.	BS500052V	2
Countershaft Rear Brg.	BS500052V	2	Rev. Idler Gear Brg.	HJ223020-IR1820OH	2	Rev. Idler Gear Brg.	HJ223020-IR1820OH	2
Rev. Idler Gear Brg.	HJ223020-IR1820OH	2	Aux. Countershaft Front Brg.	4302074	2	Aux. Countershaft Front Brg.	NP656227-NP896049	2
Aux. Countershaft Front Brg.	NP656227-NP896049	2	Aux. Countershaft Rear Brg.	4302074	2	Aux. Countershaft Rear Brg.	NP656227-NP896049	2
Aux. Countershaft Rear Brg.	NP656227-NP896049	2	Spring	14897	3	Spring	14897	3
Spring	14897	3	Output Shaft Seal Kit	K-2262	1	O-Ring Kit	K-3510	1
Output Shaft Seal Kit	K-2918	1	O-Ring Kit	K-3484	1	Output Shaft Seal Kit	K-2918	1
O-Ring Kit	K-3341	1	Snap Ring	14317	2	Snap Ring	14750	1
Snap Ring	14750	1	Snap Ring	14750	1	Snap Ring	16980	1
Snap Ring	16980	1	Snap Ring	16763	2	Snap Ring	4301254	1
Snap Ring	4301254	1	Snap Ring Retainer	21320	1	Snap Ring	4302082	2
Snap Ring	4302082	1	Shim Kit	K-2805	1	Snap Ring	4303424	1
Snap Ring	4303424	1	Gasket Kit	K-3485	1	Shim Kit	K-2805	1
Shim Kit	K-2805	1	TRK-3512			Gasket Kit	K-3509	1
Gasket Kit	K-3458	1	Position	Part Number	Qty	Spring	691661	3
TRK-3486			Input Shaft Brg.	212SLV	1	Sliding Clutch	4305996	1
Position	Part Number	Qty	Input Shaft Pilot Bushing	BS59	1	Sealer	LC54505	1
Input Shaft Brg.	212SLV	1	Aux. Drive Gear Brg.	5566510	1	Input Shaft	S1659	1
Aux. Drive Gear Brg.	5566507	1	Aux. Mainshaft Brg.	5556503	1	TRK-3513A		
Aux. Mainshaft Brg.	21356	1	Splitter Gear Brg.	4300902	1	Position	Part Number	Qty
Countershaft Front Brg.	BS500192SX	2	Countershaft Front Brg.	BS500192SX	2	Input Shaft Brg.	212SLV	1
Countershaft Rear Brg.	MU1308TVWS	2	Countershaft Rear Brg.	BS500052V	2	Aux. Drive Gear Brg.	5566510	1
Rev. Idler Gear Brg.	HJ223020-IR1820OH	2	Rev. Idler Gear Brg.	HJ223020-IR1820OH	2	Aux. Mainshaft Brg.	5556507 Assy.	1
Aux. Countershaft Front Brg.	4302074	2	Aux. Countershaft Front Brg.	NP656227-NP896049	2	Splitter Gear Brg.	4300902	1
Aux. Countershaft Rear Brg.	4302074	2	Aux. Countershaft Rear Brg.	NP656227-NP896049	2	Countershaft Front Brg.	BS500192SX	2
Spring	14897	3	Spring	14897	3	Countershaft Rear Brg.	BS500052V	2
Output Shaft Seal Kit	K-2262	1	O-Ring Kit	K-3510	1	Rev. Idler Gear Brg.	HJ223020-IR1820OH	2
O-Ring Kit	K-3484	1	Output Shaft Seal Kit	K-2918	1	Aux. Countershaft Front Brg.	NP656227-NP896049	2
Snap Ring	14317	2	Snap Ring	14750	1	Aux. Countershaft Rear Brg.	NP656227-NP896049	2
Snap Ring	14750	1	Snap Ring	16980	1	Spring	14897	3
Snap Ring	16763	2	Snap Ring	4301254	1	O-Ring Kit	K-3510	1
Snap Ring	16980	1	Snap Ring	4302082	2	Output Shaft Seal Kit	K-2918	1
Snap Ring Retainer	21320	1	Snap Ring	4303424	1	Snap Ring	14750	1
Shim Kit	K-2805	1	Shim Kit	K-2805	1	Snap Ring	16980	1
Gasket Kit	K-3485	1	Gasket Kit	K-3509	1	Snap Ring	4301254	1
Sliding Clutch	4305996	1	TRK-3512A			Snap Ring	4302082	2
Sealer	LC54505	1	Position	Part Number	Qty	Snap Ring	4303424	1
Input Shaft	S1659	1	Input Shaft Brg.	212SLV	1	Shim Kit	K-2805	1
TRK-3487			Input Shaft Pilot Bushing	BS59	1	Gasket Kit	K-3509	1
Position	Part Number	Qty	Aux. Drive Gear Brg.	5566510	1	Spring	691661	3
Input Shaft Brg.	212SLV	1	Aux. Mainshaft Brg.	5556507 Assy.	1	Sliding Clutch	4305996	1
Input Shaft Pilot Bushing	BS59	1	Splitter Gear Brg.	4300902	1	Sealer	LC54505	1
Aux. Drive Gear Brg.	5566507	1	Countershaft Front Brg.	BS500192SX	2	Input Shaft	S1659	1
Aux. Mainshaft Brg.	21356	1	Countershaft Rear Brg.	BS500052V	2			
Countershaft Front Brg.	BS500192SX	2	Rev. Idler Gear Brg.	HJ223020-IR1820OH	2			
Countershaft Rear Brg.	MU1308TVWS	2	Aux. Countershaft Front Brg.	NP656227-NP896049	2			
Rev. Idler Gear Brg.	HJ223020-IR1820OH	2	Aux. Countershaft Rear Brg.	NP656227-NP896049	2			
Aux. Countershaft Front Brg.	4302074	2	Spring	14897	3			
Aux. Countershaft Rear Brg.	4302074	2	O-Ring Kit	K-3510	1			
Spring	14897	3	Output Shaft Seal Kit	K-2918	1			
Output Shaft Seal Kit	K-2262	1	Snap Ring	14750	1			
O-Ring Kit	K-3484	1	Snap Ring	16980	1			
Snap Ring	14317	2	Snap Ring	4301254	1			
Snap Ring	14750	1	Snap Ring	4302082	2			
Snap Ring	16763	2	Snap Ring	4303424	1			
Snap Ring Retainer	21320	1	Shim Kit	K-2805	1			
Shim Kit	K-2805	1	Gasket Kit	K-3509	1			
Gasket Kit	K-3485	1						

HD Transmission

Heavy Duty Transmission Rebuild Kits



HD Transmission

TRK-3514		
Position	Part Number	Qty
Input Shaft Brg.	MU1212RUMW3	1
Input Shaft Pilot Bushing	BS59	1
Aux. Drive Gear Brg.	5566510	1
Aux. Mainshaft Brg.	5556503	1
Splitter Gear Brg.	4300902	1
Countershaft Front Brg.	BS500192SX	2
Countershaft Rear Brg.	BS500052V	2
Rev. Idler Gear Brg.	HJ223020-IR1820OH	2
Aux. Countershaft Front Brg.	NP656227-NP896049	2
Aux. Countershaft Rear Brg.	NP656227-NP896049	2
Spring	14897	3
O-Ring Kit	K-3510	1
Output Shaft Seal Kit	K-2918	1
Snap Ring	14750	1
Snap Ring	16980	1
Snap Ring	4301254	1
Snap Ring	4302082	2
Snap Ring	4303424	1
Shim Kit	K-2805	1
Gasket Kit	K-3509	1

TRK-3514A		
Position	Part Number	Qty
Input Shaft Brg.	MU1212RUMW3	1
Input Shaft Pilot Bushing	BS59	1
Aux. Drive Gear Brg.	5566510	1
Aux. Mainshaft Brg.	5556507 Assy.	1
Splitter Gear Brg.	4300902	1
Countershaft Front Brg.	BS500192SX	2
Countershaft Rear Brg.	BS500052V	2
Rev. Idler Gear Brg.	HJ223020-IR1820OH	2
Aux. Countershaft Front Brg.	NP656227-NP896049	2
Aux. Countershaft Rear Brg.	NP656227-NP896049	2
Spring	14897	3
O-Ring Kit	K-3510	1
Output Shaft Seal Kit	K-2918	1
Snap Ring	14750	1
Snap Ring	16980	1
Snap Ring	4301254	1
Snap Ring	4302082	2
Snap Ring	4303424	1
Shim Kit	K-2805	1
Gasket Kit	K-3509	1

TRK-3515		
Position	Part Number	Qty
Input Shaft Brg.	MU1212RUMW3	1
Aux. Drive Gear Brg.	5566510	1
Aux. Mainshaft Brg.	5556503	1
Splitter Gear Brg.	4300902	1
Countershaft Front Brg.	BS500192SX	2
Countershaft Rear Brg.	BS500052V	2
Rev. Idler Gear Brg.	HJ223020-IR1820OH	2
Aux. Countershaft Front Brg.	NP656227-NP896049	2
Aux. Countershaft Rear Brg.	NP656227-NP896049	2
Spring	14897	3
O-Ring Kit	K-3510	1
Output Shaft Seal Kit	K-2918	1
Snap Ring	14750	1
Snap Ring	16980	1
Snap Ring	4301254	1
Snap Ring	4302082	2
Snap Ring	4303424	1
Shim Kit	K-2805	1
Gasket Kit	K-3509	1
Spring	691661	3
Sliding Clutch	4305996	1
Sealer	LC54505	1
Input Shaft	S2890	1

TRK-3515A		
Position	Part Number	Qty
Input Shaft Brg.	MU1212RUMW3	1
Aux. Drive Gear Brg.	5566510	1
Aux. Mainshaft Brg.	5556507 Assy.	1
Splitter Gear Brg.	4300902	1
Countershaft Front Brg.	BS500192SX	2
Countershaft Rear Brg.	BS500052V	2
Rev. Idler Gear Brg.	HJ223020-IR1820OH	2
Aux. Countershaft Front Brg.	NP656227-NP896049	2
Aux. Countershaft Rear Brg.	NP656227-NP896049	2
Spring	14897	3
O-Ring Kit	K-3510	1
Output Shaft Seal Kit	K-2918	1
Snap Ring	14750	1
Snap Ring	16980	1
Snap Ring	4301254	1
Snap Ring	4302082	2
Snap Ring	4303424	1
Shim Kit	K-2805	1
Gasket Kit	K-3509	1
Spring	691661	3
Sliding Clutch	4305996	1
Sealer	LC54505	1
Input Shaft	S2890	1

TRK-3519		
Position	Part Number	Qty
Input Shaft Brg.	212SLV	1
Aux. Drive Gear Brg.	5566507	1
Aux. Mainshaft Brg.	5556503	1
Countershaft Front Brg.	BS500192SX	2
Countershaft Rear Brg.	MU1308TVWS	2
Rev. Idler Gear Brg.	HJ223020-IR1820OH	2
Aux. Countershaft Brg.	4302074	4
Spring	14897	3
Output Shaft Seal Kit	K-2918	1
O-Ring Kit	K-3484	1
O-Ring Kit	OK17453	1
Snap Ring	14317	2
Snap Ring	14750	1
Snap Ring	16763	2
Snap Ring	16980	1
Snap Ring Retainer	21320	1
Shim Kit	K-2805	1
Gasket Kit	K-3518	1
Sliding Clutch	4305996	1
Sealer	LC54505	1
Input Shaft	S1659	1

TRK-3519A		
Position	Part Number	Qty
Input Shaft Brg.	212SLV	1
Aux. Drive Gear Brg.	5566507	1
Aux. Mainshaft Brg.	5556507 Assy.	1
Countershaft Front Brg.	BS500192SX	2
Countershaft Rear Brg.	MU1308TVWS	2
Rev. Idler Gear Brg.	HJ223020-IR1820OH	2
Aux. Countershaft Brg.	4302074	4
Spring	14897	3
Output Shaft Seal Kit	K-2918	1
O-Ring Kit	K-3484	1
O-Ring Kit	OK17453	1
Snap Ring	14317	2
Snap Ring	14750	1
Snap Ring	16763	2
Snap Ring	16980	1
Snap Ring Retainer	21320	1
Shim Kit	K-2805	1
Gasket Kit	K-3518	1
Sliding Clutch	4305996	1
Sealer	LC54505	1
Input Shaft	S1659	1

TRK-3522		
Position	Part Number	Qty
Input Shaft Brg.	212SLV	1
Input Shaft Pilot Bushing	BS59	1
Aux. Drive Gear Brg.	5566507	1
Aux. Mainshaft Brg.	5556503	1
Countershaft Front Brg.	BS500192SX	2
Countershaft Rear Brg.	MU1308TVWS	2
Rev. Idler Gear Brg.	HJ223020-IR1820OH	2
Aux. Countershaft Brg.	4302074	4
Spring	14897	3
Output Shaft Seal Kit	K-2918	1
O-Ring Kit	K-3484	1
O-Ring Kit	OK17453	1
Snap Ring	14317	2
Snap Ring	14750	1
Snap Ring	16763	2
Snap Ring Retainer	21320	1
Shim Kit	K-2805	1
Gasket Kit	K-3518	1

TRK-3522A		
Position	Part Number	Qty
Input Shaft Brg.	212SLV	1
Input Shaft Pilot Bushing	BS59	1
Aux. Drive Gear Brg.	5566507	1
Aux. Mainshaft Brg.	5556507 Assy.	1
Countershaft Front Brg.	BS500192SX	2
Countershaft Rear Brg.	MU1308TVWS	2
Rev. Idler Gear Brg.	HJ223020-IR1820OH	2
Aux. Countershaft Brg.	4302074	4
Spring	14897	3
Output Shaft Seal Kit	K-2918	1
O-Ring Kit	K-3484	1
O-Ring Kit	OK17453	1
Snap Ring	14317	2
Snap Ring	14750	1
Snap Ring	16763	2
Snap Ring Retainer	21320	1
Shim Kit	K-2805	1
Gasket Kit	K-3518	1

TRK-3524		
Position	Part Number	Qty
Input Shaft Brg.	212SLV	1
Aux. Drive Gear Brg.	5566507	1
Aux. Mainshaft Brg.	5556503	1
Countershaft Front Brg.	BS500192SX	2
Countershaft Rear Brg.	MU1308TVWS	2
Rev. Idler Gear Brg.	HJ223020-IR1820OH	2
Aux. Countershaft Brg.	4302074	4
Spring	14897	3
Output Shaft Seal Kit	K-2918	1
O-Ring Kit	K-3484	1
O-Ring Kit	OK17453	1
Snap Ring	14317	2
Snap Ring	14750	1
Snap Ring	16763	2
Snap Ring	16980	1
Snap Ring Retainer	21320	1
Shim Kit	K-2805	1
Gasket Kit	K-3518	1
Sliding Clutch	4305996	1
Sealer	LC54505	1
Input Shaft	S1659	1

Heavy Duty Transmission Rebuild Kits



HD Transmission

TRK-3524A		
Position	Part Number	Qty
Input Shaft Brg.	212SLV	1
Aux. Drive Gear Brg.	5566507	1
Aux. Mainshaft Brg.	5556507 Assy.	1
Countershaft Front Brg.	BS500192SX	2
Countershaft Rear Brg.	MU1308TVWS	2
Rev. Idler Gear Brg.	HJ223020-IR18200H	2
Aux. Countershaft Brg.	4302074	4
Spring	14897	3
Output Shaft Seal Kit	K-2918	1
O-Ring Kit	K-3484	1
O-Ring Kit	OK17453	1
Snap Ring	14317	2
Snap Ring	14750	1
Snap Ring	16763	2
Snap Ring	16980	1
Snap Ring Retainer	21320	1
Shim Kit	K-2805	1
Gasket Kit	K-3518	1
Sliding Clutch	4305997	1
Sealer	LC54505	1
Input Shaft	S1659	1

TRK-3533		
Position	Part Number	Qty
Input Shaft Brg.	212SLV	1
Aux. Drive Gear Brg.	5566510	1
Aux. Mainshaft Brg.	5556503	1
Splitter Gear Brg.	4300902	1
Countershaft Front Brg.	BS500192SX	2
Countershaft Rear Brg.	BS500052V	2
Rev. Idler Gear Brg.	HJ223020-IR18200H	2
Aux. Countershaft Front Brg.	4302074	2
Aux. Countershaft Rear Brg.	4302074	2
Spring	14897	3
O-Ring Kit	K-3510	1
Output Shaft Seal Kit	K-2918	1
Snap Ring	14750	1
Snap Ring	16980	1
Snap Ring	4301254	1
Snap Ring	4302082	2
Snap Ring	4303424	1
Shim Kit	K-2805	1
Gasket Kit	K-3532	1
Spring	1069	3
Sliding Clutch	4305996	1
Sealer	LC54505	1
Input Shaft	S1659	1

TRK-3533A		
Position	Part Number	Qty
Input Shaft Brg.	212SLV	1
Aux. Drive Gear Brg.	5566510	1
Aux. Mainshaft Brg.	5556507 Assy.	1
Splitter Gear Brg.	4300902	1
Countershaft Front Brg.	BS500192SX	2
Countershaft Rear Brg.	BS500052V	2
Rev. Idler Gear Brg.	HJ223020-IR18200H	2
Aux. Countershaft Front Brg.	4302074	2
Aux. Countershaft Rear Brg.	4302074	2
Spring	14897	3
O-Ring Kit	K-3510	1
Output Shaft Seal Kit	K-2918	1
Snap Ring	14750	1
Snap Ring	16980	1
Snap Ring	4301254	1
Snap Ring	4302082	2
Snap Ring	4303424	1
Shim Kit	K-2805	1
Gasket Kit	K-3532	1
Spring	1069	3
Sliding Clutch	4305996	1
Sealer	LC54505	1
Input Shaft	S1659	1

TRK-3534		
Position	Part Number	Qty
Input Shaft Brg.	212SLV	1
Input Shaft Pilot Bushing	BS59	1
Aux. Drive Gear Brg.	5566510	1
Aux. Mainshaft Brg.	5556503	1
Splitter Gear Brg.	4300902	1
Countershaft Front Brg.	BS500192SX	2
Countershaft Rear Brg.	BS500052V	2
Rev. Idler Gear Brg.	HJ223020-IR18200H	2
Aux. Countershaft Front Brg.	4302074	2
Aux. Countershaft Rear Brg.	4302074	2
Spring	14897	3
O-Ring Kit	K-3510	1
Output Shaft Seal Kit	K-2918	1
Snap Ring	14750	1
Snap Ring	16980	1
Snap Ring	4301254	1
Snap Ring	4302082	2
Snap Ring	4303424	1
Shim Kit	K-2805	1
Gasket Kit	K-3532	1

TRK-3534A		
Position	Part Number	Qty
Input Shaft Brg.	212SLV	1
Input Shaft Pilot Bushing	BS59	1
Aux. Drive Gear Brg.	5566510	1
Aux. Mainshaft Brg.	5556507 Assy.	1
Splitter Gear Brg.	4300902	1
Countershaft Front Brg.	BS500192SX	2
Countershaft Rear Brg.	BS500052V	2
Rev. Idler Gear Brg.	HJ223020-IR18200H	2
Aux. Countershaft Front Brg.	4302074	2
Aux. Countershaft Rear Brg.	4302074	2
Spring	14897	3
O-Ring Kit	K-3510	1
Output Shaft Seal Kit	K-2918	1
Snap Ring	14750	1
Snap Ring	16980	1
Snap Ring	4301254	1
Snap Ring	4302082	2
Snap Ring	4303424	1
Shim Kit	K-2805	1
Gasket Kit	K-3532	1

TRK-3553		
Position	Part Number	Qty
Input Shaft Brg.	212SLV	1
Input Shaft Pilot Bushing	BS59	1
Aux. Drive Gear Brg.	5566507	1
Aux. Mainshaft Brg.	21356	1
Splitter Gear Brg.	4300902	1
Countershaft Front Brg.	BS500192SX	2
Countershaft Rear Brg.	MU1308TVWS	2
Rev. Idler Gear Brg.	HJ223020-IR18200H	2
Aux. Countershaft Front Brg.	4302074	2
Aux. Countershaft Rear Brg.	4302074	2
Spring	14897	3
Insert Valve	19974	1
Insert Valve	4300810	2
Output Shaft Seal Kit	K-2262	1
O-Ring Kit	K-2298	1
Snap Ring	14317	2
Snap Ring	14750	1
Snap Ring	16980	1
Shim Kit	K-2805	1
Gasket Kit	K-3552	1

TRK-3554		
Position	Part Number	Qty
Input Shaft Brg.	212SLV	1
Aux. Drive Gear Brg.	5566507	1
Aux. Mainshaft Brg.	21356	1
Splitter Gear Brg.	4300902	1
Countershaft Front Brg.	BS500192SX	2
Countershaft Rear Brg.	MU1308TVWS	2
Rev. Idler Gear Brg.	HJ223020-IR18200H	2
Aux. Countershaft Front Brg.	4302074	2
Aux. Countershaft Rear Brg.	4302074	2
Spring	14897	3
Insert Valve	19974	1
Insert Valve	4300810	2
Output Shaft Seal Kit	K-2262	1
O-Ring Kit	K-2298	1
Snap Ring	14317	2
Snap Ring	14750	1
Snap Ring	16980	1
Shim Kit	K-2805	1
Gasket Kit	K-3552	1
Spring	15918	2
Sliding Clutch	16118	1
Connector	84005	2
Connector	85003	1
Sealer	LC54505	1
Input Shaft	S1659	1

Heavy Duty Transmission Rebuild Kits



HD Transmission

TRK-3585		
Position	Part Number	Qty
Input Shaft Brg.	212SLV	1
Aux. Drive Gear Brg.	5566507	1
Aux. Mainshaft Brg.	29675 Assy 902A8 (A2892)	1
Aux. Mainshaft Thrust Brg.	AXK5070	2
Countershaft Front Brg.	BS500192SX	2
Countershaft Rear Brg.	MU1308TVWS	2
Rev. Idler Gear Brg.	HJ223020-IR1820OH	2
Aux. Countershaft Front Brg.	4302074	2
Aux. Countershaft Rear Brg.	4302074	2
Spring	14897	3
Output Shaft Seal Kit	K-2262	1
O-Ring Kit	K-3583	1
O-Ring Kit	OK17453	1
Snap Ring	14317	2
Snap Ring	14750	1
Snap Ring	16763	2
Snap Ring	16980	1
Retainer Assembly	A-6340	1
Shim Kit	K-2430	1
Gasket Kit	K-3584	1
Spring	15918	3
Sliding Clutch	16118	1
Connector	84003	2
Connector	85001	1
Sealer	LC54505	1
Input Shaft	S1659	1

TRK-3586		
Position	Part Number	Qty
Input Shaft Brg.	212SLV	1
Input Shaft Pilot Bushing	BS59	1
Aux. Drive Gear Brg.	5566507	1
Aux. Mainshaft Brg.	29675 Assy 902A8 (A2892)	1
Aux. Mainshaft Thrust Brg.	AXK5070	2
Countershaft Front Brg.	BS500192SX	2
Countershaft Rear Brg.	MU1308TVWS	2
Rev. Idler Gear Brg.	HJ223020-IR1820OH	2
Aux. Countershaft Front Brg.	4302074	2
Aux. Countershaft Rear Brg.	4302074	2
Spring	14897	3
Output Shaft Seal Kit	K-2262	1
O-Ring Kit	K-3583	1
O-Ring Kit	OK17453	1
Snap Ring	14317	2
Snap Ring	14750	1
Snap Ring	16763	2
Snap Ring	16980	1
Retainer Assembly	A-6340	1
Shim Kit	K-2430	1
Gasket Kit	K-3584	1

TRK-3595		
Position	Part Number	Qty
Input Shaft Brg.	212SLV	1
Aux. Drive Gear Brg.	5566508	1
Aux. Mainshaft Brg.	21356	1
Splitter Gear Brg.	4300902	1
Countershaft Front Brg.	BS500192SX	2
Countershaft Rear Brg.	MU1308TVWS	2
Rev. Idler Gear Brg.	HJ223020-IR1820OH	2
Aux. Countershaft Front Brg.	4302074	2
Aux. Countershaft Rear Brg.	4302074	2
Spring	14897	3
Output Shaft Seal Kit	K-2262	1
O-Ring Kit	K-3594	1
Snap Ring	14317	2
Snap Ring	14750	1
Snap Ring	16980	1
Shim Kit	K-2805	1
Gasket Kit	K-3593	1
Spring	15918	3
Sliding Clutch	16118	1
Connector	84005	2
Connector	85003	1
Input Shaft	S1659	1

TRK-3596		
Position	Part Number	Qty
Input Shaft Brg.	212SLV	1
Input Shaft Pilot Bushing	BS59	1
Aux. Drive Gear Brg.	5566508	1
Aux. Mainshaft Brg.	21356	1
Splitter Gear Brg.	4300902	1
Countershaft Front Brg.	BS500192SX	2
Countershaft Rear Brg.	MU1308TVWS	2
Rev. Idler Gear Brg.	HJ223020-IR1820OH	2
Aux. Countershaft Front Brg.	4302074	2
Aux. Countershaft Rear Brg.	4302074	2
Spring	14897	3
Output Shaft Seal Kit	K-2262	1
O-Ring Kit	K-3594	1
Snap Ring	14317	2
Snap Ring	14750	1
Snap Ring	16980	1
Shim Kit	K-2805	1
Gasket Kit	K-3593	1

TRK-3597		
Position	Part Number	Qty
Input Shaft Brg.	212SLV	1
Aux. Drive Gear Brg.	5566508	1
Aux. Mainshaft Brg.	5556503	1
Splitter Gear Brg.	4300902	1
Countershaft Front Brg.	BS500192SX	2
Countershaft Rear Brg.	BS500052V	2
Rev. Idler Gear Brg.	HJ223020-IR1820OH	2
Aux. Countershaft Front Brg.	4302074	2
Aux. Countershaft Rear Brg.	4302074	2
Spring	14897	3
Output Shaft Seal Kit	K-2918	1
O-Ring Kit	K-3341	1
Snap Ring	14750	1
Snap Ring	16980	1
Snap Ring	4301254	1
Snap Ring	4302082	2
Shim Kit	K-2805	1
Gasket Kit	K-3458	1
Spring	15918	3
Sliding Clutch	4306647	1
Connector	84005	2
Connector	85003	1
Input Shaft	S1659	1

TRK-3597A		
Position	Part Number	Qty
Input Shaft Brg.	212SLV	1
Aux. Drive Gear Brg.	5566508	1
Aux. Mainshaft Brg.	5556507 Assy.	1
Splitter Gear Brg.	4300902	1
Countershaft Front Brg.	BS500192SX	2
Countershaft Rear Brg.	BS500052V	2
Rev. Idler Gear Brg.	HJ223020-IR1820OH	2
Aux. Countershaft Front Brg.	4302074	2
Aux. Countershaft Rear Brg.	4302074	2
Spring	14897	3
Output Shaft Seal Kit	K-2918	1
O-Ring Kit	K-3341	1
Snap Ring	14750	1
Snap Ring	16980	1
Snap Ring	4301254	1
Snap Ring	4302082	2
Shim Kit	K-2805	1
Gasket Kit	K-3458	1
Spring	15918	3
Sliding Clutch	4306647	1
Connector	84005	2
Connector	85003	1
Input Shaft	S1659	1

TRK-3598		
Position	Part Number	Qty
Input Shaft Brg.	212SLV	1
Input Shaft Pilot Bushing	BS59	1
Aux. Drive Gear Brg.	5566508	1
Aux. Mainshaft Brg.	5556503	1
Splitter Gear Brg.	4300902	1
Countershaft Front Brg.	BS500192SX	2
Countershaft Rear Brg.	BS500052V	2
Rev. Idler Gear Brg.	HJ223020-IR1820OH	2
Aux. Countershaft Front Brg.	4302074	2
Aux. Countershaft Rear Brg.	4302074	2
Spring	14897	3
Output Shaft Seal Kit	K-2918	1
O-Ring Kit	K-3341	1
Snap Ring	14750	1
Snap Ring	16980	1
Snap Ring	4301254	1
Snap Ring	4302082	2
Shim Kit	K-2805	1
Gasket Kit	K-3458	1

TRK-3598A		
Position	Part Number	Qty
Input Shaft Brg.	212SLV	1
Input Shaft Pilot Bushing	BS59	1
Aux. Drive Gear Brg.	5566508	1
Aux. Mainshaft Brg.	5556507 Assy.	1
Splitter Gear Brg.	4300902	1
Countershaft Front Brg.	BS500192SX	2
Countershaft Rear Brg.	BS500052V	2
Rev. Idler Gear Brg.	HJ223020-IR1820OH	2
Aux. Countershaft Front Brg.	4302074	2
Aux. Countershaft Rear Brg.	4302074	2
Spring	14897	3
Output Shaft Seal Kit	K-2918	1
O-Ring Kit	K-3341	1
Snap Ring	14750	1
Snap Ring	16980	1
Snap Ring	4301254	1
Snap Ring	4302082	2
Shim Kit	K-2805	1
Gasket Kit	K-3458	1

Heavy Duty Transmission Rebuild Kits



HD Transmission

TRK-3599			TRK-3655			TRK-3656		
Position	Part Number	Qty	Position	Part Number	Qty	Position	Part Number	Qty
Clutch Pilot Brg.	306VVL	1	Input Shaft Brg.	MU1212RUMW3	1	Input Shaft Brg.	MU1212RUMW3	1
Input Shaft Brg.	212SLV	1	Aux. Drive Gear Brg.	5566507	1	Aux. Drive Gear Brg.	5566507	1
Front Brg. Cover	20550	1	Aux. Mainshaft Brg.	390A Assy 902A2 (A3071)	1	Aux. Mainshaft Brg.	390A Assy 902A2 (A3071)	1
Clutch Yoke	85533	1	Countershaft Front Brg.	BS500192SX	2	Countershaft Front Brg.	BS500192SX	2
Clutch Yoke Bushing	12815	4	Countershaft Front Retainer	4304605	2	Countershaft Front Retainer	4304605	2
Clutch Brake Disc	85541	1	Countershaft Rear Brg.	MU1308TVWS	2	Countershaft Rear Brg.	MU1308TVWS	2
Input Shaft	S1659	1	Rev. Idler Gear Brg.	HJ223020-IR1820OH	2	Rev. Idler Gear Brg.	HJ223020-IR1820OH	2
Snap Ring	14750	1	Range Shaft Quill Front Brg.	204	1	Range Shaft Quill Front Brg.	204	1
Snap Ring	16980	1	Range Shaft Quill Rear Bushing	BS60	1	Range Shaft Quill Rear Bushing	BS60	1
Gasket	14311	1	Aux. Countershaft Front Brg.	MR1307EL	2	Aux. Countershaft Front Brg.	MR1307EL	2
Gasket	4305294	1	Aux. Countershaft Rear Brg.	1310L	2	Aux. Countershaft Rear Brg.	1310L	2
Gasket	4306584	1	Spring	14897	3	Spring	14897	3
TRK-3600			Insert Valve	19974	1	Insert Valve	19974	1
Position	Part Number	Qty	Output Shaft Seal Kit	K-2256	1	Output Shaft Seal Kit	K-2256	1
Clutch Pilot Brg.	306VV	1	O-Ring Kit	K-1447	1	O-Ring Kit	K-1447	1
Input Shaft Brg.	MU1212RUMW3	1	O-Ring Kit	OK17453	1	O-Ring Kit	OK17453	1
Front Brg. Cover	20550	1	O-Ring	OR217V	1	O-Ring	OR217V	1
Clutch Yoke	85533	1	O-Ring	OR221V	1	O-Ring	OR221V	1
Clutch Yoke Bushing	12815	4	Snap Ring	14291	1	Snap Ring	14291	1
Clutch Brake Disc	85541	1	Snap Ring	14317	2	Snap Ring	14317	2
Input Shaft	S2822	1	Snap Ring	14750	1	Snap Ring	14750	1
Snap Ring	16980	1	Snap Ring	16723	2	Snap Ring	16723	2
Snap Ring	4303362	1	Snap Ring	16763	2	Snap Ring	16763	2
Gasket	14311	1	Snap Ring	16980	1	Snap Ring	16980	1
Gasket	4305294	1	Gasket Kit	K-2199	1	Gasket Kit	K-2199	1
Gasket	4306584	1	Spring	15918	3	Spring	15918	3
TRK-3601			Front Brg. Cover	20552	1	Front Brg. Cover	20552	1
Position	Part Number	Qty	Sliding Clutch	16118	1	Sliding Clutch	16118	1
Clutch Pilot Brg.	306VVL	1	Collet	83001	4	Collet	83001	4
Input Shaft Brg.	MU1212RUMW3	1	Connector	84002	1	Connector	84002	1
Front Brg. Cover	20550	1	Connector	85002	1	Connector	85002	1
Clutch Yoke	85533	1	Sealer	LC54505	1	Sealer	LC54505	1
Clutch Yoke Bushing	12815	4	Input Shaft	S2928	1	Input Shaft	S1659	1
Clutch Brake Disc	85541	1						
Input Shaft	S2822	1						
Snap Ring	16980	1						
Snap Ring	4303362	1						
Gasket	14311	1						
Gasket	4305294	1						
Gasket	4306584	1						
						TRK-3657		
						Position	Part Number	Qty
						Input Shaft Brg.	MU1212RUMW3	1
						Aux. Drive Gear Brg.	5566507	1
						Aux. Mainshaft Brg.	21355	1
						Countershaft Front Brg.	BS500192SX	2
						Countershaft Rear Brg.	MU1308TVWS	2
						Rev. Idler Gear Brg.	HJ223020-IR1820OH	2
						Aux. Countershaft Front Brg.	4302074	2
						Aux. Countershaft Rear Brg.	4302074	2
						Spring	14897	3
						Insert Valve	19974	1
						Output Shaft Seal Kit	K-2262	1
						O-Ring Kit	K-2054	1
						Snap Ring	14317	2
						Snap Ring	14750	1
						Snap Ring	16763	2
						Snap Ring	16980	1
						Shim Kit	K-2805	1
						Gasket Kit	K-2061	1
						Spring	15918	3
						Collet	83002	4
						Connector	84004	1
						Connector	85001	1
						Sliding Clutch	4304317	1
						Sealer	LC54505	1
						Input Shaft	S1659	1

Heavy Duty Transmission Rebuild Kits



HD Transmission

TRK-3658		
Position	Part Number	Qty
Input Shaft Brg.	MU1212RUMW3	1
Aux. Drive Gear Brg.	5566507	1
Aux. Mainshaft Brg.	21355	1
Countershaft Front Brg.	BS500192SX	2
Countershaft Front Retainer	4304605	2
Countershaft Rear Brg.	MU1308TVWS	2
Rev. Idler Gear Brg.	HJ223020-IR1820OH	2
Aux. Countershaft Front Brg.	4302074	2
Aux. Countershaft Rear Brg.	4302074	2
Spring	14897	3
Insert Valve	19974	1
Output Shaft Seal Kit	K-2262	1
O-Ring Kit	K-2054	1
Snap Ring	14317	2
Snap Ring	14750	1
Snap Ring	16763	2
Snap Ring	16980	1
Shim Kit	K-2805	1
Gasket Kit	K-2061	1
Spring	15918	3
Sliding Clutch	16118	1
Collet	83002	4
Connector	84004	1
Connector	85001	1
Sealer	LC54505	1
Input Shaft	S1659	1

TRK-3659		
Position	Part Number	Qty
Input Shaft Brg.	MU1212RUMW3	1
Input Shaft Pilot Bushing	BS59	1
Aux. Drive Gear Brg.	5566507	1
Aux. Mainshaft Brg.	390A Assy 902A2 (A3071)	1
Countershaft Front Brg.	BS500192SX	2
Countershaft Front Retainer	4304605	2
Countershaft Rear Brg.	MU1308TVWS	2
Rev. Idler Gear Brg.	HJ223020-IR1820OH	2
Range Shaft Quill Front Brg.	204	1
Range Shaft Quill Rear Bushing	BS60	1
Aux. Countershaft Front Brg.	MR1307EL	2
Aux. Countershaft Rear Brg.	1310L	2
Spring	14897	3
Insert Valve	19974	1
Output Shaft Seal Kit	K-2256	1
O-Ring Kit	K-1447	1
O-Ring Kit	OK17453	1
O-Ring	OR217V	1
O-Ring	OR221V	1
Snap Ring	14291	1
Snap Ring	14317	2
Snap Ring	14750	1
Snap Ring	16723	2
Snap Ring	16763	2
Gasket Kit	K-2199	1

TRK-3660		
Position	Part Number	Qty
Input Shaft Brg.	MU1212RUMW3	1
Input Shaft Pilot Bushing	BS59	1
Aux. Drive Gear Brg.	5566507	1
Aux. Mainshaft Brg.	21355	1
Countershaft Front Brg.	BS500192SX	2
Countershaft Front Retainer	4304605	2
Countershaft Rear Brg.	MU1308TVWS	2
Rev. Idler Gear Brg.	HJ223020-IR1820OH	2
Aux. Countershaft Front Brg.	4302074	2
Aux. Countershaft Rear Brg.	4302074	2
Spring	14897	3
Insert Valve	19974	1
Output Shaft Seal Kit	K-2262	1
O-Ring Kit	K-2054	1
Snap Ring	14317	2
Snap Ring	14750	1
Snap Ring	16763	2
Snap Ring	16980	1
Shim Kit	K-2805	1
Gasket Kit	K-2061	1

TRK-3661		
Position	Part Number	Qty
Input Shaft Brg.	MU1212RUMW3	1
Aux. Drive Gear Brg.	5566507	1
Aux. Mainshaft Brg.	5556503	1
Aux. Mainshaft Bushing	AA1512-12	2
Countershaft Front Brg.	BS500192SX	2
Countershaft Rear Brg.	MU1308TVWS	2
Rev. Idler Gear Brg.	HJ223020-IR1820OH	2
Aux. Countershaft Front Brg.	4302074	2
Aux. Countershaft Rear Brg.	4302074	2
Spring	14897	3
Insert Valve	19974	1
O-Ring Kit	K-2846	1
Output Shaft Seal Kit	K-2918	1
Snap Ring	14317	2
Snap Ring	14750	1
Snap Ring	16763	1
Snap Ring	16980	1
Shim Kit	K-2805	1
Gasket Kit	K-2061	1
Spring	15918	3
Sliding Clutch	4306647	1
Connector	84006	1
Connector	85003	1
Sealer	LC54505	1
Input Shaft	S1659	1

TRK-3661A		
Position	Part Number	Qty
Input Shaft Brg.	MU1212RUMW3	1
Aux. Drive Gear Brg.	5566507	1
Aux. Mainshaft Brg.	5556507 Assy.	1
Aux. Mainshaft Bushing	AA1512-12	2
Countershaft Front Brg.	BS500192SX	2
Countershaft Rear Brg.	MU1308TVWS	2
Rev. Idler Gear Brg.	HJ223020-IR1820OH	2
Aux. Countershaft Front Brg.	4302074	2
Aux. Countershaft Rear Brg.	4302074	2
Spring	14897	3
Insert Valve	19974	1
O-Ring Kit	K-2846	1
Output Shaft Seal Kit	K-2918	1
Snap Ring	14317	2
Snap Ring	14750	1
Snap Ring	16763	1
Snap Ring	16980	1
Shim Kit	K-2805	1
Gasket Kit	K-2061	1
Spring	15918	3
Sliding Clutch	4306647	1
Connector	84006	1
Connector	85003	1
Sealer	LC54505	1
Input Shaft	S1659	1

TRK-3762		
Position	Part Number	Qty
Clutch Pilot Brg.	306VV	1
Input Shaft Brg.	MU1212RUMW3	1
Front Brg. Cover	20550	1
Clutch Yoke	85533	1
Clutch Yoke Bushing	12815	4
Clutch Brake Disc	85541	1
Input Shaft	S1659	1
Snap Ring	14750	1
Snap Ring	16980	1
Gasket	14311	1
Gasket	4305294	1
Gasket	4306584	1

TRK-3941		
Position	Part Number	Qty
Input Shaft Brg.	BS500419	1
Input Shaft Pilot Bushing	BS59	1
Aux. Drive Gear Brg.	5566510	1
Aux. Mainshaft Brg.	5556507 Assy.	1
Splitter Gear Brg.	4300902	1
Splitter Gear Brg. Sleeve	4301844	1
Countershaft Front Brg.	BS500192SX	2
Countershaft Rear Brg.	BS500052V	2
Rev. Idler Gear Brg.	HJ223020-IR1820OH	2
Aux. Countershaft Front Brg.	NP656227-NP896049	2
Aux. Countershaft Rear Brg.	NP656227-NP896049	2
Spring	14897	3
O-Ring Kit	K-3510	1
Output Shaft Seal Kit	K-2918	1
Snap Ring	14750	1
Snap Ring	16980	1
Snap Ring	19198	2
Snap Ring	4301254	1
Snap Ring	4302082	2
Snap Ring	4306308	1
Shim Kit	K-2805	1
Gasket Kit	K-3939	1

Heavy Duty Transmission Rebuild Kits



TRK-3941A			TRK-4056			TRK-4057		
Position	Part Number	Qty	Position	Part Number	Qty	Position	Part Number	Qty
Input Shaft Brg.	BS500419	1	Input Shaft Brg.	MU1212RUMW3	1	Input Shaft Brg.	MU1212RUMW3	1
Input Shaft Pilot Bushing	BS59	1	Aux. Drive Gear Brg.	5566508	1	Input Shaft Pilot Bushing	BS59	1
Aux. Drive Gear Brg.	5566508	1	Aux. Mainshaft Brg.	5566503	1	Aux. Drive Gear Brg.	5566508	1
Aux. Mainshaft Brg.	5566507 Assy.	1	Splitter Gear Brg.	4300902	1	Aux. Mainshaft Brg.	5566503	1
Splitter Gear Brg.	4300902	1	Countershaft Front Brg.	BS500192SX	2	Splitter Gear Brg.	4300902	1
Splitter Gear Brg. Sleeve	4301844	1	Countershaft Rear Brg.	BS500052V	2	Countershaft Front Brg.	BS500192SX	2
Countershaft Front Brg.	BS500192SX	2	Rev. Idler Gear Brg.	HJ223020-IR18200H	2	Countershaft Rear Brg.	BS500052V	2
Countershaft Rear Brg.	BS500052V	2	Aux. Countershaft Front Brg.	4302074	2	Rev. Idler Gear Brg.	HJ223020-IR18200H	2
Rev. Idler Gear Brg.	HJ223020-IR18200H	2	Aux. Countershaft Rear Brg.	4302074	2	Aux. Countershaft Front Brg.	4302074	2
Aux. Countershaft Front Brg.	NP656227-NP896049	2	Spring	14897	3	Aux. Countershaft Rear Brg.	4302074	2
Aux. Countershaft Rear Brg.	NP656227-NP896049	2	O-Ring Kit	K-3341	1	Spring	14897	3
Spring	14897	3	Output Shaft Seal Kit	K-2918	1	O-Ring Kit	K-3341	1
O-Ring Kit	K-3510	1	Snap Ring	14750	1	Output Shaft Seal Kit	K-2918	1
Output Shaft Seal Kit	K-2918	1	Snap Ring	16980	1	Snap Ring	14750	1
Snap Ring	14750	1	Snap Ring	4301254	1	Snap Ring	16980	1
Snap Ring	16980	1	Snap Ring	4302082	2	Snap Ring	4301254	1
Snap Ring	19198	2	Shim Kit	K-2805	1	Snap Ring	4302082	2
Snap Ring	4301254	1	Gasket Kit	K-3458	1	Shim Kit	K-2805	1
Snap Ring	4302082	2	Spring	15918	3	Gasket Kit	K-3458	1
Snap Ring	4306308	1	Sliding Clutch	4306647	1			
Shim Kit	K-2805	1	Connector	84005	2			
Gasket Kit	K-3939	1	Connector	85003	1			
			Sealer	LC54505	1			
			Input Shaft	S1659	1			
TRK-3942			TRK-4056A			TRK-4057A		
Position	Part Number	Qty	Position	Part Number	Qty	Position	Part Number	Qty
Input Shaft Brg.	BS500419	1	Input Shaft Brg.	MU1212RUMW3	1	Input Shaft Brg.	MU1212RUMW3	1
Input Shaft Pilot Bushing	BS59	1	Aux. Drive Gear Brg.	5566508	1	Input Shaft Pilot Bushing	BS59	1
Aux. Drive Gear Brg.	5566508	1	Aux. Mainshaft Brg.	5566507 Assy.	1	Aux. Drive Gear Brg.	5566508	1
Aux. Mainshaft Brg.	5566507 Assy.	1	Splitter Gear Brg.	4300902	1	Aux. Mainshaft Brg.	5566507 Assy.	1
Aux. Mainshaft Bushing	AA1512-12	1	Countershaft Front Brg.	BS500192SX	2	Splitter Gear Brg.	4300902	1
Countershaft Front Brg.	BS500192SX	2	Countershaft Rear Brg.	BS500052V	2	Countershaft Front Brg.	BS500192SX	2
Countershaft Rear Brg.	MU1308TVWS	2	Rev. Idler Gear Brg.	HJ223020-IR18200H	2	Countershaft Rear Brg.	BS500052V	2
Rev. Idler Gear Brg.	HJ223020-IR18200H	2	Aux. Countershaft Front Brg.	4302074	2	Rev. Idler Gear Brg.	HJ223020-IR18200H	2
Aux. Countershaft Front Brg.	4302074	2	Spring	14897	3	Aux. Countershaft Front Brg.	4302074	2
Aux. Countershaft Rear Brg.	4302074	2	O-Ring Kit	K-3341	1	Aux. Countershaft Rear Brg.	4302074	2
Spring	14897	3	Output Shaft Seal Kit	K-2918	1	Spring	14897	3
O-Ring Kit	K-2846	1	Snap Ring	14750	1	O-Ring Kit	K-3341	1
Output Shaft Seal Kit	K-2918	1	Snap Ring	16980	1	Output Shaft Seal Kit	K-2918	1
Snap Ring	14317	2	Snap Ring	4301254	1	Snap Ring	14750	1
Snap Ring	14750	1	Snap Ring	4302082	2	Snap Ring	16980	1
Snap Ring	16763	1	Shim Kit	K-2805	1	Snap Ring	4301254	1
Snap Ring	16980	1	Gasket Kit	K-3458	1	Snap Ring	4302082	2
Snap Ring	19198	2	Spring	15918	3	Shim Kit	K-2805	1
Snap Ring	4306308	1	Sliding Clutch	4306647	1	Gasket Kit	K-3458	1
Shim Kit	K-2805	1	Connector	84005	2			
Gasket Kit	K-3940	1	Connector	85003	1			
			Sealer	LC54505	1			
			Input Shaft	S1659	1			
TRK-4010								
Position	Part Number	Qty						
Input Shaft Brg.	BS500419	1						
Input Shaft Pilot Bushing	BS59	1						
Aux. Drive Gear Brg.	5566508	1						
Aux. Mainshaft Brg.	5566507 Assy.	1						
Countershaft Front Brg.	BS500192SX	2						
Countershaft Rear Brg.	BS500052V	2						
Rev. Idler Gear Brg.	HJ223020-IR18200H	2						
Aux. Countershaft Front Brg.	4302074	2						
Aux. Countershaft Rear Brg.	4302074	2						
Spring	14897	3						
O-Ring Kit	K-3484	1						
Output Shaft Seal Kit	K-2918	1						
Snap Ring	14750	1						
Snap Ring	16763	1						
Snap Ring	16980	1						
Snap Ring	19198	2						
Snap Ring	4302082	1						
Shim Kit	K-2805	1						
Gasket Kit	K-4011	1						

HD Transmission

Heavy Duty Transmission Rebuild Kits



HD Transmission

TRK-4092

Position	Part Number	Qty
Input Shaft Brg.	MU1212RUMW3	1
Aux. Drive Gear Brg.	5566508	1
Aux. Mainshaft Brg.	5556503	1
Aux. Mainshaft Bushing	AA1512-12	2
Countershaft Front Brg.	BS500192SX	2
Countershaft Rear Brg.	MU1308TVWS	2
Rev. Idler Gear Brg.	HJ223020-IR1820OH	2
Aux. Countershaft Front Brg.	4302074	2
Aux. Countershaft Rear Brg.	4302074	2
Spring	14897	3
Insert Valve	19974	1
O-Ring Kit	K-2054	1
Output Shaft Seal Kit	K-2918	1
Snap Ring	14317	2
Snap Ring	14750	1
Snap Ring	16763	1
Snap Ring	16980	1
Shim Kit	K-2805	1
Gasket Kit	K-2061	1
Spring	15918	3
Sliding Clutch	4306647	1
Collet	83002	4
Connector	84004	2
Connector	85001	1
Sealer	LC54505	1
Input Shaft	S1659	1

TRK-4092A

Position	Part Number	Qty
Input Shaft Brg.	MU1212RUMW3	1
Aux. Drive Gear Brg.	5566508	1
Aux. Mainshaft Brg.	5556507 Assy.	1
Aux. Mainshaft Bushing	AA1512-12	2
Countershaft Front Brg.	BS500192SX	2
Countershaft Rear Brg.	MU1308TVWS	2
Rev. Idler Gear Brg.	HJ223020-IR1820OH	2
Aux. Countershaft Front Brg.	4302074	2
Aux. Countershaft Rear Brg.	4302074	2
Spring	14897	3
Insert Valve	19974	1
O-Ring Kit	K-2054	1
Output Shaft Seal Kit	K-2918	1
Snap Ring	14317	2
Snap Ring	14750	1
Snap Ring	16763	1
Snap Ring	16980	1
Shim Kit	K-2805	1
Gasket Kit	K-2061	1
Spring	15918	3
Sliding Clutch	4306647	1
Collet	83002	4
Connector	84004	2
Connector	85001	1
Sealer	LC54505	1
Input Shaft	S1659	1

TRK-4237

Position	Part Number	Qty
Input Shaft Brg.	BS500419	1
Aux. Drive Gear Brg.	5566508	1
Aux. Mainshaft Brg.	5556507 Assy.	1
Countershaft Front Brg.	BS500192SX	2
Countershaft Rear Brg.	BS500052V	2
Rev. Idler Gear Brg.	HJ223020-IR1820OH	2
Aux. Countershaft Front Brg.	4302074	2
Aux. Countershaft Rear Brg.	4302074	2
Output Shaft Seal Kit	K-4217	1
O-Ring Kit	K-4218	1
Snap Ring	14750	1
Snap Ring	16980	1
Snap Ring	17399	1
Snap Ring	19198	2
Snap Ring	4302082	2
Snap Ring	4302184	1
Snap Ring	4303336	4
Snap Ring	4306308	1
Shim Kit	K-2805	1
Gasket Kit	K-4219	1

TRK-4451

Position	Part Number	Qty
Input Shaft Brg.	BS500419	1
Aux. Drive Gear Brg.	5566507	1
Aux. Mainshaft Brg.	5556507 Assy.	1
Countershaft Front Brg.	BS500192SX	2
Countershaft Rear Brg.	BS500052V	2
Rev. Idler Gear Brg.	HJ223020-IR1820OH	2
Aux. Countershaft Front Brg.	4302074	2
Aux. Countershaft Rear Brg.	4302074	2
Output Shaft Seal Kit	K-4217	1
O-Ring Kit	K-4218	1
Snap Ring	14750	1
Snap Ring	16980	1
Snap Ring	17399	1
Snap Ring	19198	2
Snap Ring	4302082	2
Snap Ring	4302184	1
Snap Ring	4303336	4
Shim Kit	K-2805	1
Gasket Kit	K-4219	1

TRK-4476

Position	Part Number	Qty
Input Shaft Brg.	BS500419	1
Aux. Drive Gear Brg.	5566507	1
Aux. Mainshaft Brg.	5556507 Assy.	1
Countershaft Front Brg.	BS500192SX	2
Countershaft Rear Brg.	BS500052V	2
Rev. Idler Gear Brg.	HJ223020-IR1820OH	2
Aux. Countershaft Front Brg.	4302074	2
Aux. Countershaft Rear Brg.	4302074	2
Output Shaft Seal Kit	K-4217	1
O-Ring Kit	K-4218	1
Snap Ring	14750	1
Snap Ring	16980	1
Snap Ring	17399	1
Snap Ring	19198	2
Snap Ring	4302082	2
Snap Ring	4302184	1
Snap Ring	4303336	4
Shim Kit	K-2805	1
Gasket Kit	K-4219	1
Input Shaft	S1659	1

TRK-4477

Position	Part Number	Qty
Input Shaft Brg.	BS500419	1
Aux. Drive Gear Brg.	5566507	1
Aux. Mainshaft Brg.	5556507 Assy.	1
Countershaft Front Brg.	BS500192SX	2
Countershaft Rear Brg.	BS500052V	2
Rev. Idler Gear Brg.	HJ223020-IR1820OH	2
Aux. Countershaft Front Brg.	4302074	2
Aux. Countershaft Rear Brg.	4302074	2
Output Shaft Seal Kit	K-4217	1
O-Ring Kit	K-4218	1
Snap Ring	14750	1
Snap Ring	16980	1
Snap Ring	17399	1
Snap Ring	19198	2
Snap Ring	4302082	2
Snap Ring	4302184	1
Snap Ring	4303336	4
Shim Kit	K-2805	1
Gasket Kit	K-4219	1

TRK-5000CK

Position	Part Number	Qty
Clutch Pilot Brg.	306VV	1
Input Shaft Brg.	212SLV	1
Front Brg. Cover	3105K1155	1
Clutch Yoke	85533	1
Clutch Yoke Bushing	12815	4
Clutch Brake Disc	85541	1
Input Shaft	KIT5367	1
Gasket	3208N1080	1

TRK-5356

Position	Part Number	Qty
Input Shaft Brg.	212SLV	1
Input Shaft Pilot Brg.	1225A1171	1
Aux. Drive Gear Brg.	119L	1
Aux. Mainshaft Brg.	390A Assy 902B1	1
Countershaft Front Brg.	NP418109-NP525386	2
Countershaft Rear Brg.	NP449281-NP357215	2
Rev. Idler Gear Brg.	A1228E1175	2
Aux. Countershaft Front Brg.	NP449281-NP357215	2
Aux. Countershaft Rear Brg.	3782-3720	2
Spring	2258Z1144	3
Output Shaft Seal Kit	KIT5389 (3.753x4.720)	1
O-Ring	1205T1268	3
O-Ring	OR014V	1
O-Ring	OR017V	1
O-Ring	OR119	3
O-Ring	OR316V	1
O-Ring	OR334V	1
O-Ring	OR340V	2
Lock Nut	NL17-1	1
Lock Nut	NL25-1	1
Lock Nut	NL110-1	2
Snap Ring Set	KIT5452	1
Spacer Kit	KIT5331	1
Shim Kit	KIT5364	1
Small Parts Kit	KIT5291	1
Gasket	2208K1051	1
Output Shaft Nut	1227T1554	1

Heavy Duty Transmission Rebuild Kits

TRK-5357		
Position	Part Number	Qty
Input Shaft Brg.	212SLV	1
Input Shaft Pilot Brg.	1225A1171	1
Aux. Drive Gear Brg.	119L	1
Aux. Mainshaft Brg.	29675 Assy 902B7	1
Countershaft Front Brg.	NP418109-NP525386	2
Countershaft Rear Brg.	NP449281-NP357215	2
Rev. Idler Gear Brg.	A1228E1175	2
Aux. Countershaft Front Brg.	NP449281-NP357215	2
Aux. Countershaft Rear Brg.	3782-3720	2
Spring	2258Z1144	3
Output Shaft Seal Kit	KIT5389 (3.753x4.720)	1
O-Ring	1205T1268	3
O-Ring	OR014V	1
O-Ring	OR017V	1
O-Ring	OR119	3
O-Ring	OR316V	1
O-Ring	OR334V	1
O-Ring	OR340V	2
Lock Nut	NL17-1	1
Lock Nut	NL25-1	1
Lock Nut	NL110-1	2
Snap Ring Set	KIT5452	1
Spacer Kit	KIT5331	1
Shim Kit	KIT5364	1
Small Parts Kit	KIT5291	1
Gasket	2208K1051	1
Output Shaft Nut	1227T1554	1

TRK-5358		
Position	Part Number	Qty
Input Shaft Brg.	212SLV	1
Input Shaft Pilot Brg.	1225A1171	1
Aux. Drive Gear Brg.	119L	1
Aux. Mainshaft Brg.	29675 Assy 902B7	1
Countershaft Front Brg.	NP418109-NP525386	2
Countershaft Rear Brg.	NP449281-NP357215	2
Rev. Idler Gear Brg.	A1228E1175	2
Aux. Countershaft Front Brg.	NP449281-NP357215	2
Aux. Countershaft Rear Brg.	3782-3720	2
Spring	2258Z1144	3
Output Shaft Seal Kit	KIT5389 (3.753x4.720)	1
O-Ring	1205T1268	3
O-Ring	OR009V	1
O-Ring	OR014V	1
O-Ring	OR017V	1
O-Ring	OR119	3
O-Ring	OR316V	1
O-Ring	OR320V	1
O-Ring	OR323V	1
O-Ring	OR334V	1
O-Ring	OR340V	2
O-Ring	5X889	1
Lock Nut	NL17-1	1
Lock Nut	NL25-1	1
Lock Nut	NL110-1	2
Snap Ring Set	KIT5452	1
Snap Ring	1229V4234	1
Spacer Kit	KIT5331	1
Shim Kit	KIT5364	1
Small Parts Kit	KIT5291	1
Gasket	3208S1059	1
Output Shaft Nut	1227T1554	1
Nut	1227A1405	1
Valve Assembly	A2297K5965	1

TRK-5406		
Position	Part Number	Qty
Input Shaft Brg.	212SLV	1
Input Shaft Pilot Brg.	1225A1171	1
Aux. Drive Gear Brg.	119L	1
Aux. Mainshaft Brg.	NP301337 Assy 902A2	1
Countershaft Front Brg.	NP418109-NP525386	2
Countershaft Rear Brg.	NP449281-NP357215	2
Rev. Idler Gear Brg.	A1228E1175	2
Aux. Countershaft Front Brg.	NP449281-NP357215	2
Aux. Countershaft Rear Brg.	NP449281-NP357215	2
Spring	2258Z1144	3
Spring	2258F1332	1
Ball	2297R6986	1
Snap Ring Set	KIT5452	1
Snap Ring	16980	1
Output Shaft Seal Kit	KIT5389 (3.753x4.720)	1
O-Ring	OR016V	2
O-Ring	OR119	3
O-Ring	OR340V	2
Lock Nut	NL25-1	1
Lock Nut	NL110-1	2
Spacer Kit	KIT5404	1
Shim Kit	KIT5364	1
Output Shaft Nut	1227T1554	1
Piston Seal Kit	KIT5401	1

TRK-7000		
Position	Part Number	Qty
Input Shaft Brg.	M802048-M802011	1
Input Shaft Pilot Brg.	QBR49845	1
Output Shaft Brg.	25581-25520	1
Countershaft Front Brg.	25877-25821	1
Countershaft Rear Brg.	2689-2631	1
Rev. Idler Gear Brg.	QA48181A	1
Mainshaft 1st & 2nd Gear Brg.	F94490	2
Mainshaft 3rd & Rev. Gear Brg.	F84003	2
Mainshaft 4th Gear Brg.	F94488	1
4th & 5th Shift Hub Brg.	FA35688	1
4th & 5th Shift Hub Race	TR235383	1
Input Shaft Seal	473010N (1.625x2.502)	1
Output Shaft Seal	471271V (2.500x3.251)	1
Output Shaft Seal	712512 (2.250x3.252)	1
Countershaft Case Plug	239783	1
Threadlocker	TL1	1
Gasket Set	K-7001	1

TRK-7013		
Position	Part Number	Qty
Input Shaft Brg.	M804049-M804010	1
Input Shaft Pilot Brg.	QBR49845	1
Output Shaft Brg.	25581-25520	1
Countershaft Front Brg.	25877-25821	1
Countershaft Rear Brg.	2689-2631	1
Rev. Idler Gear Brg.	QA48181A	1
Mainshaft 1st & 2nd Gear Brg.	F94490	2
Mainshaft 3rd & Rev. Gear Brg.	F84003	2
Mainshaft 4th Gear Brg.	F94488	1
4th & 5th Shift Hub Brg.	FA35688	1
4th & 5th Shift Hub Race	TR235383	1
Input Shaft Seal	473010N (1.625x2.502)	1
Output Shaft Seal	471271V (2.500x3.251)	1
Output Shaft Seal	712512 (2.250x3.252)	1
Countershaft Case Plug	239783	1
Threadlocker	TL1	1
Gasket Set	K-7001	1

TRK-7032		
Position	Part Number	Qty
Input Shaft Brg.	M802048-M802011	1
Input Shaft Pilot Brg.	QBR49845	1
Output Shaft Brg.	28580A-28527RB	1
Countershaft Front & Rear Brg.	25590-25520	2
4th & 5th Shift Hub Brg.	FA35688	1
4th & 5th Shift Hub Race	TR235383	1
Mainshaft 1st Gear Brg.	F84003	1
Mainshaft 2nd, 3rd & Rev. Gear Brg.	F94490	3
Mainshaft 4th Gear Brg.	F94488	1
Rev. Idler Gear Brg.	QA47838	1
Input Shaft Seal	473010N (1.625x2.502)	1
Input Shaft Seal	4300204 (1.875x2.502)	1
Input Shaft Seal	710211 (1.875x2.677)	1
Output Shaft Seal	4300119	1
Output Shaft Seal	416664 (27269)	1
Output Shaft Seal	415001N (2.500x3.543)	1
Threadlocker	TL1	1
Gasket Set	K-7030	1
Snap Ring	226331	1

TRK-7033		
Position	Part Number	Qty
Input Shaft Brg.	M804049-M804010	1
Input Shaft Pilot Brg.	QBR49845	1
Output Shaft Brg.	28580A-28527RB	1
Countershaft Front & Rear Brg.	25590-25520	2
4th & 5th Shift Hub Brg.	FA35688	1
4th & 5th Shift Hub Race	TR235383	1
Mainshaft 1st Gear Brg.	F84003	1
Mainshaft 2nd, 3rd & Rev. Gear Brg.	F94490	3
Mainshaft 4th Gear Brg.	F94488	1
Rev. Idler Gear Brg.	QA47838	1
Snap Ring	226331	1
Input Shaft Seal	473010N (1.625x2.502)	1
Input Shaft Seal	4300204 (1.875x2.502)	1
Input Shaft Seal	710211 (1.875x2.677)	1
Output Shaft Seal	4300119	1
Output Shaft Seal	416664 (27269)	1
Output Shaft Seal	415001N (2.500x3.543)	1
Threadlocker	TL1	1
Gasket Set	K-7030	1

TRK-7035		
Position	Part Number	Qty
Input Shaft Brg.	39590-39520	1
Input Shaft Pilot Brg.	31594	1
Output Shaft Brg.	45285A-45220	1
Countershaft Front Brg.	25590-25522	1
Countershaft Rear Brg.	3782-3720	1
1st & Rev. Gear Brg.	FW707620	4
2nd Gear Brg.	FW657020	2
3rd Gear Brg.	FW556020	2
4th Gear Brg.	FW505520	2
Rev. Idler Gear Brg.	FW404820	2
Countershaft Plug	3315679	1
Spring	3315765	4
Snap Ring	3315686	1
Snap Ring	3315725	1
Input Shaft Seal	710211 (1.875x2.677)	1
Output Shaft Seal	4300119	1
Shim Kit	K-2183	1
Gasket Set	K-7028	1

HD Transmission

Heavy Duty Transmission Rebuild Kits



HD Transmission

TRK-7052		
Position	Part Number	Qty
Input Shaft Brg. 1.750"	39590-39520	1
Input Shaft Brg. 1.500"	45284-45220	1
Input Shaft Pilot Brg.	31594	1
Output Shaft Brg.	45285A-45220	1
Countershaft Front Brg.	25590-25522	1
Countershaft Rear Brg.	3782-3720	1
1st & 2nd Gear Brg.	FW707620	4
3rd Gear Brg.	FW657020	2
4th & Rev. Gear Brg.	FW556020	2
5th Gear Brg.	FW505520	2
Rev. Idler Gear Brg.	FW404820	2
Countershaft Plug	3315679	1
Spring	3315765	4
Snap Ring	3315686	1
Snap Ring	3315725	2
Snap Ring	3315752	1
Input Shaft Seal	710211 (1.875x2.677)	1
Output Shaft Seal	4300119	1
Shim Kit	K-2183	1
Gasket Set	K-7028	1

TRK-312476-22X		
Position	Part Number	Qty
Intermediate Shaft Front Brg.	2788-2720	1
Intermediate Shaft Rear Brg.	25877-25821	1
Output Shaft Brg.	MR1307EX	2
Rev. Shaft Brg.	MR1307EXW927	2

TRK-313432-1X		
Position	Part Number	Qty
Input Shaft Brg.	MR1211GEL	1
Input Shaft Pilot Brg.	MR1205EL	1
Output Shaft Brg.	214LH	1
Countershaft Front Brg.	1311L	2
Countershaft Rear Brg.	WR61209EX	2
Rev. Idler Gear Brg.	WJ162116	4
Input Shaft Seal	412015V (2.125x3.000)	1
Mainshaft Rear Seal	3893V (3.750x4.750)	1
Countershaft Rear Snap Rings	SR348-1	2
Snap Ring Set	313024-6X	1
Gasket Set	GT192	1

TRK-313432-2X		
Position	Part Number	Qty
Input Shaft Brg.	217SLE	1
Input Shaft Pilot Brg.	JH1812	1
Output Shaft Brg.	214LH	1
Countershaft Front Brg.	1311L	2
Countershaft Rear Brg.	MU1209UGMR	2
Rev. Idler Gear Brg.	WJ162116	4
Input Shaft Seal	412015V (2.125x3.000)	1
Mainshaft Rear Seal	3893V (3.750x4.750)	1
Countershaft Rear Snap Rings	SR348-1	2
Snap Ring Set	313024-11X	1
Gasket Set	GT193	1

TRK-313432-10X		
Position	Part Number	Qty
Input Shaft Brg.	JM511946-JM511910	1
Input Shaft Pilot Brg.	2580	1
Output Shaft Brg.	JM511946-JM511910	1
Countershaft Front Brg.	25584-25520	1
Countershaft Rear Brg.	25584-25520	1
Rev. Idler Gear Brg.	WJ162116	2
Mainshaft 1st Gear Brg.	F81205	1
Mainshaft 2nd Gear Brg.	C437Q	1
Mainshaft Rev. Gear Brg.	F81205	1
Input Shaft Seal	39925 (1.781x2.502)	1
Output Shaft Seal	471271 (2.500x3.251)	1
Output Shaft Seal	415004 (2.750x3.751)	1
Output Shaft Seal	415322V (2.750x3.543)	1
Snap Ring Set	313024-13X	1
Shim Kit	SK18	3
Shim Kit	SK47	1
Threadlocker	TL1	1
Gasket Set	GT180	1

TRK-313432-11X		
Position	Part Number	Qty
Input Shaft Brg.	7211HL	1
Input Shaft Pilot Brg.	SCE2420	1
Output Shaft Brg.	7211HL	1
Countershaft Front Brg.	LM48548-LM48510	1
Countershaft Rear Brg.	LM102949-LM102910	1
Mainshaft 1st and Rev. Gear Brg.	F93290	2
Mainshaft 2nd Gear Brg.	F95407	1
Rev. Idler Gear Brg.	WJ162116	2
Drive Gear Seal	330749V (1.562x2.062)	1
Drive Gear Seal	5133 (1.812x2.562)	1
Output Shaft Seal	415322V (2.750x3.543)	1
Snap Ring Set	313024-14X	1
Shim Kit	SK54	1
Shift Fork Clip	40-486-1	4
Shift Fork Clip	46-486-2	2
Shift Shoe Set	49-486-2	2
Flange Sealant	PE51531	1
Threadlocker	TL1	1
Gasket Set	GT210	1

TRK-313432-14X		
Position	Part Number	Qty
Input Shaft Front Brg.	MU1211GUM	1
Input Shaft Pilot Brg.	JH1416	1
Output Shaft Brg.	214LH	1
Countershaft Front Brg.	MU1209UGMR	2
Countershaft Rear Brg.	MU1209UGMR	2
Rev. Idler Gear Brg.	WJ162116	4
Input Shaft Seal	97-463-36-1X	1
Output Shaft Seal	3893V (3.750x4.750)	1
Output Shaft Seal	714713 (4.000x4.999)	1
Snap Ring Set	313024-16X	1
Threadlocker	TL1	1
Gasket Set	GT192	1

TRK-313432-20X		
Position	Part Number	Qty
Input Shaft Brg.	JM511946-JM511910	1
Input Shaft Pilot Brg.	25877-25821	1
Output Shaft Brg.	3979-JM511910	1
Countershaft Front Brg.	M804049-M804010	1
Countershaft Rear Brg.	JLM506849-JLM506810	1
Rev. Idler Gear Brg.	WJ162116	2
Mainshaft 1st & Rev. Gear Brg.	F56619	2
Mainshaft 2nd Gear Needle Brg.	F87946	1
Input Shaft Seal	39925 (1.781x2.502)	1
Output Shaft Seal	415004V (2.750x3.751)	1
Snap Ring Set	313024-22X	1
Shim Kit	SK18	3
Shim Kit	SK15	1
Threadlocker	TL1	1
Gasket Set	GT186	1

TRK-313432-21X		
Position	Part Number	Qty
Input Shaft Front Brg.	1210	1
Input Shaft Rear Brg.	MSN1312EL	1
Input Shaft Pilot Brg.	MU1209TV	1
Output Shaft Brg.	1312L	1
Countershaft Front Brg.	3877-3820	1
Countershaft Rear Brg.	462-453A	1
Speed Gear Brg.	F54540	1
Input Shaft Seal	415004V (2.750x3.751)	1
Input Shaft Seal	475322N (2.750x3.543)	1
Output Shaft Seal	415013N (3.000x4.003)	1
Output Shaft Seal	415281N (3.000x3.751)	1
Output Shaft Seal	475322N (2.750x3.543)	1
Remote Control Seal	471570 (.875x1.499)	2
Snap Ring	60-381-7	1
Snap Ring	60-381-8	1
Snap Ring	60-381-9	1
Snap Ring	82-381-1	1
Gasket Set	GT73	1

TRK-313432-25X		
Position	Part Number	Qty
Input Shaft Brg.	217SLE	1
Input Shaft Pilot Brg.	JH1812	1
Output Shaft Brg.	312LE	1
Countershaft Front Brg.	311L	2
Countershaft Rear Brg.	WR61209EX	2
Rev. Idler Gear Brg.	WJ162116	4
Countershaft Rear Snap Rings	SR348-1	2
Input Shaft Seal	412015V (2.125x3.000)	1
Output Shaft Seal	3893V (3.750x4.750)	1
Snap Ring Set	313024-2X	1
Spacer	330737	1
Flange Sealant	PE51531	1
Threadlocker	TL1	1
Gasket Set	GT-147	1

Heavy Duty Transmission Rebuild Kits



TRK-313432-30X		
Position	Part Number	Qty
Input Shaft Brg.	7211HFL	1
Input Shaft Pilot Brg.	MU5206L	1
Output Shaft Brg.	7211HL	1
Countershaft Front Brg.	LM48548-LM48510	1
Countershaft Rear Brg.	2788A-2729	1
Rev. Idler Gear Brg.	WJ162116	2
1st Gear Brg.	F208323	1
2nd Gear Brg.	F93290	2
3rd Gear Brg.	F95407	1
4th Gear Brg.	F209348	1
Input Shaft Seal	39920 (1.562x2.062)	1
Input Shaft Seal	39930 (1.812x2.562)	1
Output Shaft Seal	415322V (2.750x3.543)	1
Snap Ring Set	SR220	1
Shim Kit	313438-3X	1
Shift Fork Clip	40-486-1	2
Shift Fork Clip	49-486-3	2
Shift Fork Clip	101-486-1-1X	3
Shift Shoe Set	49-486-2	2
Flange Sealant	PE51531	1
Gasket Set	GT210	1

TRK-313432-31X		
Position	Part Number	Qty
Input Shaft Brg.	JM511946-JM511910	1
Input Shaft Pilot Brg.	2580	1
Output Shaft Brg.	JM511946-JM511910	1
Countershaft Front Brg.	25584-25520	1
Countershaft Rear Brg.	25584-25520	1
Rev. Idler Gear Brg.	WJ162116	2
Mainshaft 1st Gear Brg.	F81205	1
Mainshaft 2nd Gear Brg.	C437Q	1
Mainshaft Rev. Gear Brg.	F81205	1
Input Shaft Seal	39925 (1.781x2.502)	1
Output Shaft Seal	415004 (2.750x3.751)	1
Output Shaft Seal	415322V (2.750x3.543)	1
Snap Ring Set	313024-18X	1
Shim Kit	SK47	1
Shim Kit	SK18	3
Threadlocker	TL1	1
Gasket Set	GT180	1

TRK-313432-33X		
Position	Part Number	Qty
Input Shaft Brg.	BS500262R	1
Countershaft Front Brg.	LM501349-LM501310 (Early)	2
Countershaft Front Brg.	25581-25520 (Late)	2
Countershaft Rear Brg.	25590-25520	2
Aux. Countershaft Front Brg.	MR1307EX	2
Aux. Countershaft Rear Brg.	MR1309UV	2
Aux. Mainshaft Brg.	JLM710949C (90KA3)	1
Rev. Idler Gear Brg.	K55X63X25A	2
Low Range Brg.	K73X79X20B	2
Input Shaft Seal	97-463-36-1X	1
Output Shaft Seal	37410 (3.750x4.750)	1
Snap Ring	201-381-1	1
Snap Ring	201-381-3	1
Shim Kit	313667X	1
Gasket Set	312475-45X	1

TRK-313432-34X		
Position	Part Number	Qty
Input Shaft Brg.	7211HFL	1
Input Shaft Pilot Brg.	MU5206L	1
Output Shaft Brg.	7211HL	1
Countershaft Front Brg.	LM48548-LM48510	1
Countershaft Rear Brg.	LM102949-LM102910	1
1st Gear Brg.	F93290	1
2nd Gear Brg.	F95407	1
3rd Gear Brg.	FW505520	2
4th Gear Brg.	FW455017	2
Rev. Gear Brg.	F93290	1
Rev. Idler Gear Brg.	WJ162116	2
Input Shaft Seal	39920 (1.562x2.062)	1
Input Shaft Seal	39930 (1.812x2.562)	1
Output Shaft Seal	415322V (2.750x3.543)	1
Snap Ring Set	313024-14X	1
Shim Kit	SK54	1
Shift Fork Clip	40-486-1	4
Shift Fork Clip	49-486-3	2
Shift Fork Clip	101-486-1-1X	2
Flange Sealant	PE51531	1
Threadlocker	TL1	1
Gasket Set	GT210	1

TRK-313432-35X		
Position	Part Number	Qty
Input Shaft Brg.	MU1211GUM	1
Input Shaft Pilot Brg.	JH1416	1
Output Shaft Brg.	214LH	1
Countershaft Front Brg.	1311L	2
Countershaft Rear Brg.	MU1209UGMR	2
Rev. Idler Gear Brg.	WJ162116	2
Input Shaft Seal	97-463-36-1X	1
Output Shaft Seal	714713 (4.000x4.999)	1
Snap Ring Set	313024-27X	1
Flange Sealant	PE51531	1
Threadlocker	TL1	1
Gasket Set	GT193	1

TRK-313432-46X		
Position	Part Number	Qty
Input Shaft Brg.	7211HFL	1
Input Shaft Pilot Brg.	MU5206L	1
Output Shaft Brg.	7211HL	1
Countershaft Front Brg.	LM48548-LM48510	1
Countershaft Rear Brg.	2788A-2729	1
Rev. Idler Gear Brg.	WJ162116	2
1st Gear Brg.	F208323	1
2nd Gear Brg.	F93290	2
3rd Gear Brg.	F95407	1
4th Gear Brg.	F209348	1
Input Shaft Seal	39920 (1.562x2.062)	1
Input Shaft Seal	39930 (1.812x2.562)	1
Output Shaft Seal	415322V (2.750x3.543)	1
Snap Ring Set	SR220	1
Shim Kit	313438-3X	1
Shift Fork Clip	101-486-1-1X	3
Flange Sealant	PE51531	1
Gasket Set	GT221	1

TRK-56-432-1X		
Position	Part Number	Qty
Input Shaft Brg.	1213L	1
Input Shaft Pilot Brg.	MU5206L	1
Output Shaft Brg.	7211HL	1
Countershaft Front Brg.	2788A-2729	1
Countershaft Rear Brg.	2788A-2729	1
1st Gear Brg.	F208323	1
2nd Gear Brg.	F93290	1
3rd Gear Brg.	F95407	1
4th Gear Brg.	F209348	1
Rev. Gear Brg.	F93290	1
Rev. Idler Gear Brg.	WJ162116	2
Input Shaft Seal	39925 (1.781x2.502)	1
Output Shaft Seal	415322V (2.750x3.543)	1
Shift Fork Clip	101-486-1-1X	3
Snap Ring Set	56-381-2X	1
Shim Kit	313438-3X	1
Flange Sealant	PE51531	1
Threadlocker	TL1	1
Gasket Set	GT221	1

TRK-98-432-1X		
Position	Part Number	Qty
Input Shaft Front Brg.	114	1
Input Shaft Front Brg.	212	1
Input Shaft Rear Brg.	MU1215TV	1
Input Shaft Rear Brg.	MR1213EL	1
Input Shaft Pilot Brg.	JH1812	1
Output Shaft Brg.	214LH	1
Countershaft Front Brg.	MU1311UGMR	2
Countershaft Rear Brg.	MR1309EAL	2
Input Shaft Seal	415281N (3.000x3.751)	1
Output Shaft Seal	415035 (4.000x4.999)	1
Snap Ring Set	313024-24X	1
Flange Sealant	PE51531	1
Threadlocker	TL1	1
Gasket Set	GT158	1

TRK-101-432-1X		
Position	Part Number	Qty
Input Shaft Brg.	1213L	1
Input Shaft Pilot Brg.	MU5206L	1
Output Shaft Center Brg.	1213L	1
Output Shaft Rear Brg.	7211HL	1
Countershaft Front Brg.	2788A-2729	1
Countershaft Ctr. Brg.	MB1212GEXR	1
Countershaft Rear Brg.	2788A-2729	1
Rev. Idler Gear Brg.	WJ162116	2
1st Gear Brg.	F208323	1
2nd Gear Brg.	F208323	1
3rd Gear Brg.	F208323	1
4th Gear Brg.	FW657020	1
4th Gear Brg.	FW657030	1
4th/5th Shift Hub Brg.	FWH556320	2
6th Gear Brg.	FW475325	2
Rev. Gear Brg.	F208323	1
Input Shaft Seal	39925 (1.781x2.502)	1
Output Shaft Seal	415322V (2.750x3.543)	1
Snap Ring Set	SR221	1
Shim Kit	313438-3X	1
Shift Fork Clip	101-486-1-1X	4
Shift Shoe Set	101-486-4-1X	1
Flange Sealant	PE51531	1
Threadlocker	TL1	1
Gasket Set	GT221	1

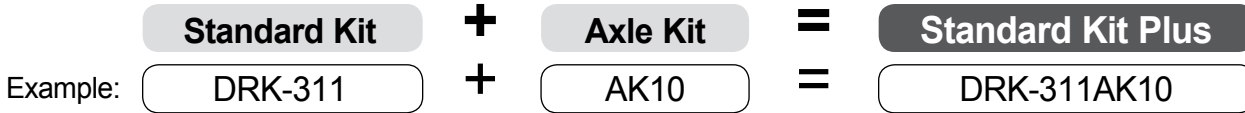
HD Transmission

Light Duty Differential Rebuild Kits

DT Components Differential Rebuild Kits are available in four kit types; Standard Kit, Master Kit, Standard Kit Plus and Master Kit Plus. Each kit type has a different level of kit content.

Axle bearings and seals are available individually and within an Axle Kit (both sides) and a Wheel Kit (single side).

These four kit types allows you to choose what level of kit content you stock and enables you to easily stock the axle bearings and seals as an add on kit.



Below is a typical semi-floating rear axle and what is contained within the Standard Kit type.

Standard Kit DRK-311 Shown

- Differential Brgs.
- Pinion Head Brg.
- Pinion Tail Brg.
- Pinion Seal
- Crush Sleeve
- Pinion Nut
- Gear Marking Compound & Brush
- Threadlocker
- Sealer



+

Axle Kit AK10 Shown

- Axle Brgs.
- Axle Seals



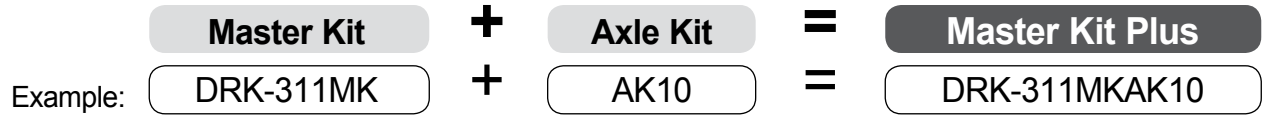
=

Standard Kit Plus DRK-311AK10 Shown

Contains entire contents from both Standard and Axle kits



Light Duty Differential Rebuild Kits



Below is a typical semi-floating rear axle and what is contained within the Master Kit type.

Master Kit DRK-311MK Shown

- Differential Brgs.
- Pinion Head Brg.
- Pinion Tail Brg.
- Pinion Seal
- Crush Sleeve
- Pinion Nut
- Gear Marking Compound & Brush
- Threadlocker
- Sealer
- Pinion Depth Shims
- Differential Shims
- Ring Gear Bolts



+

Axle Kit AK10 Shown

- Axle Brgs.
- Axle Seals



=

Master Kit Plus DRK-311MKAK10 Shown

Contains entire contents from both Master and Axle kits



Axle Identification

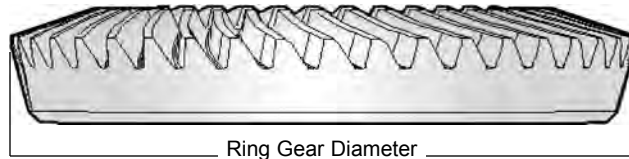
Accurate axle identification is critical when ordering repair parts for rear axles in car, truck & SUV applications as well as for front axles used in four wheel drive truck & SUV applications. The axles used in each individual vehicle can vary based on vehicle options. For example, a typical GM ½-ton truck will be equipped with the GM 8.5" axle, but this same truck may be built with a larger GM 9.5" axle if optioned with a larger engine, heavy duty chassis or towing packages. Therefore, the axle must be identified by the vehicle owner or mechanic prior to ordering parts.

Vehicles can be equipped with either corporate axles (built by the vehicle manufacturer) or Dana axles. Corporate axles from Chrysler, Ford & GM are identified by the ring gear diameter and are frequently referred to as a "Ford 8.8" or "GM 8.5". Ford axles may have an identification tag that specifies ring gear diameter and ratio.

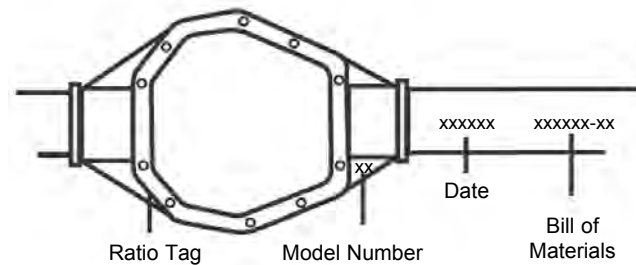
Most corporate axles can be easily identified by the bolt pattern on the differential cover when you have more than one axle option for your vehicle. The following illustrations show the typical bolt pattern for the common corporate axles. You may still need to measure the ring gear diameter in order to positively identify the corporate axle.

To Determine Ring Gear Diameter

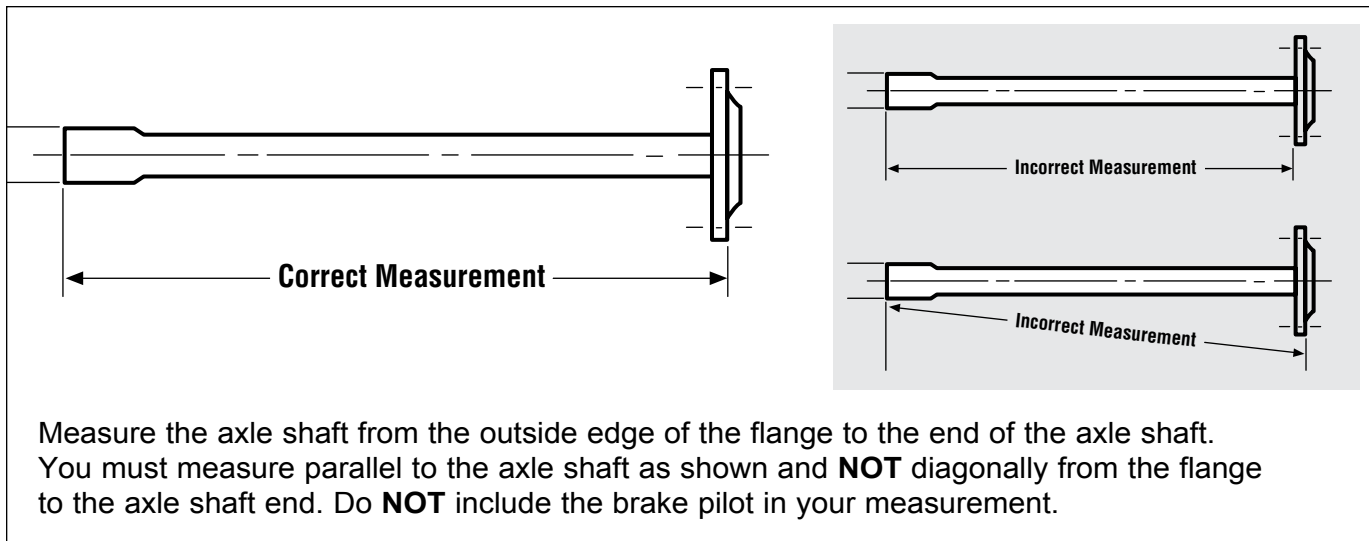
you need to measure the outside diameter of the ring gear.



Dana axles are identified by model number. The model number (i.e. "44") is usually cast into the webbing of the axle center housing as shown in the illustration below.

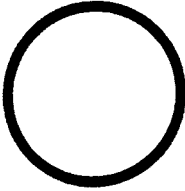
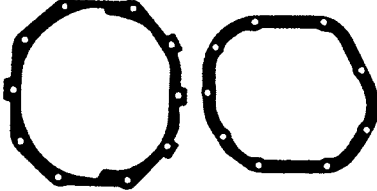
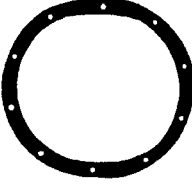
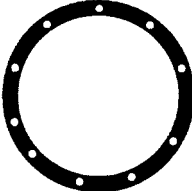
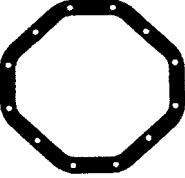
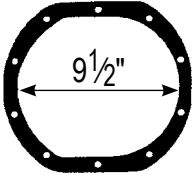
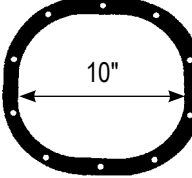
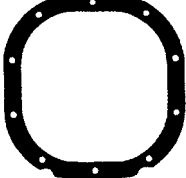
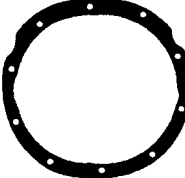
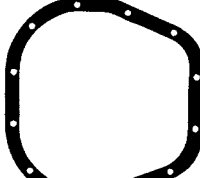
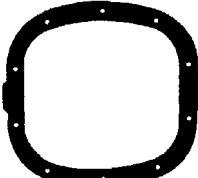
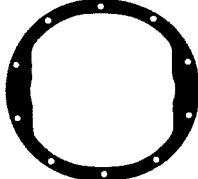
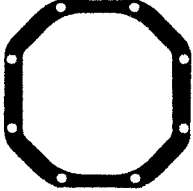
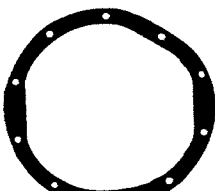
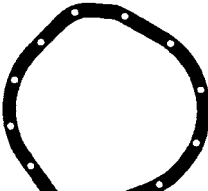
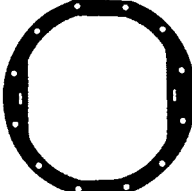
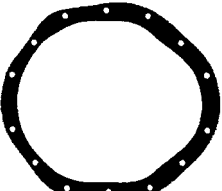
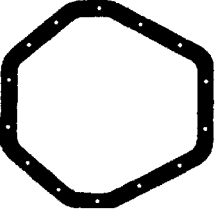
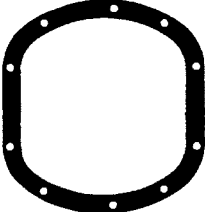
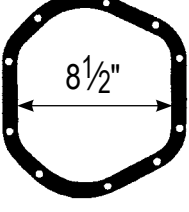
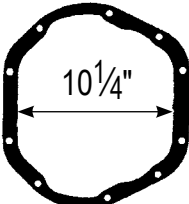
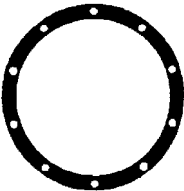


LD Differential



Measure the axle shaft from the outside edge of the flange to the end of the axle shaft. You must measure parallel to the axle shaft as shown and **NOT** diagonally from the flange to the axle shaft end. Do **NOT** include the brake pilot in your measurement.

Differential Gaskets

<p>AMC 20 NO HOLES 10½" DIA.</p> 	<p>CHRYSLER 7.25" 10 HOLES 9 HOLES (2 GASKETS IN SET)</p> 	<p>CHRYSLER 8.25" 10 HOLES OVAL</p> 	<p>CHRYSLER 8.75" 10 HOLES ROUND</p> 	
<p>CHRYSLER 9.25" 12 HOLES</p> 	<p>FORD 7.5" 10 HOLES</p> 	<p>FORD 8" 10 HOLES</p> 	<p>FORD 8.8" 10 HOLES</p> 	
<p>FORD 9" 10 HOLES</p> 	<p>FORD 10.25" & 10.5" 12 HOLES</p> 	<p>GM 7.5" 10 HOLES</p> 	<p>GM 8.5" 10 HOLES All Exc. Corvette & 80-81 Truck</p> 	
<p>GM 8.5" CORVETTE 8 HOLES CORVETTE</p> 	<p>GM 8.5" TRUCK 10 HOLES TRUCK (80-81)</p> 	<p>GM 8.875" TRUCK 12 HOLES TRUCK</p> 	<p>GM 8.875" AUTO 12 HOLES CAR</p> 	<p>GM 9.5" 14 HOLES</p> 
<p>GM 10.5" 14 HOLES</p> 	<p>DANA 30, 36-ICA 10 HOLES</p> 	<p>DANA 44 10 HOLES</p> 	<p>DANA 60, 70 10 HOLES DANA 60,70</p> 	<p>TOYOTA 7.5", 8" V6/TURBO 10 HOLES</p> 

Light Duty Differential Applications



Make/Model	Year	Position/ Ring Gear Size	Standard Kit	Master Kit	Axle Kit	Standard Kit Plus	Master Kit Plus
AM GENERAL							
Hummer	01-92	Front - AMC 20	DRK-311H	DRK-311HMK	AK27	DRK-311HAK27	DRK-311HMKAK27
Hummer	01-92	Rear - AMC 20	DRK-311H	DRK-311HMK	AK27	DRK-311HAK27	DRK-311HMKAK27
AMC							
AMX	1970	Rear - AMC 20	DRK-311J	DRK-311JMK ▲			
Concord	88-80	Rear - Dana 35	DRK-335	DRK-335MK ▲	AK49	DRK-335AK49	DRK-335MKAK49 ▲
Concord	79-78	Rear - AMC 20	DRK-311J	DRK-311JMK ▲			
Eagle	88-80	Rear - Dana 35	DRK-335	DRK-335MK ▲	AK49	DRK-335AK49	DRK-335MKAK49 ▲
Gremlin V8	76-72	Rear - AMC 20	DRK-311J	DRK-311JMK ▲			
Hornet V8	75-70	Rear - AMC 20	DRK-311J	DRK-311JMK ▲			
Javelin	1970	Rear - AMC 20	DRK-311J	DRK-311JMK ▲			
Rambler	1969	Rear - AMC 20	DRK-311J	DRK-311JMK ▲			
Rebel	70-67	Rear - AMC 20	DRK-311J	DRK-311JMK ▲			
Spirit	88-80	Rear - Dana 35	DRK-335	DRK-335MK ▲	AK49	DRK-335AK49	DRK-335MKAK49 ▲
Spirit V8	1979	Rear - AMC 20	DRK-311J	DRK-311JMK ▲			
BUICK							
Apollo	75-73	Rear - 8.5"/8.6"	DRK-321R	DRK-321RMK ▲	AK11	DRK-321RAK11	DRK-321RMKAK11 ▲
Century	81-77	Rear - 7.5"/7.6"	DRK-320B	DRK-320BMK ▲	AK11	DRK-320BAK11	DRK-320BMKAK11 ▲
Century	77-73	Rear - 8.5"/8.6"	DRK-321R	DRK-321RMK ▲	AK11	DRK-321RAK11	DRK-321RMKAK11 ▲
Electra	84-73	Rear - 8.5"/8.6"	DRK-321R	DRK-321RMK ▲	AK11	DRK-321RAK11	DRK-321RMKAK11 ▲
Electra	72-65	Rear - 8.875"	DRK-323A	DRK-323AMK ▲			
Estate Wagon	83-82	Rear - 7.5"/7.6"	DRK-320	DRK-320MK ▲	AK11	DRK-320AK11	DRK-320MKAK11 ▲
Estate Wagon	83-80	Rear - 8.5"/8.6"	DRK-321R	DRK-321RMK ▲	AK10	DRK-321RAK10	DRK-321RMKAK10 ▲
Estate Wagon	81-80	Rear - 7.5"/7.6"	DRK-320B	DRK-320BMK ▲	AK11	DRK-320BAK11	DRK-320BMKAK11 ▲
Estate Wagon	79-73	Rear - 8.5"/8.6"	DRK-321R	DRK-321RMK ▲	AK10	DRK-321RAK10	DRK-321RMKAK10 ▲
Estate Wagon	72-71	Rear - 8.875"	DRK-323A	DRK-323AMK ▲			
LeSabre	85-82	Rear - 8.5"/8.6"	DRK-321R	DRK-321RMK ▲	AK10	DRK-321RAK10	DRK-321RMKAK10 ▲
LeSabre	85-82	Rear - 7.5"/7.6"	DRK-320	DRK-320MK ▲	AK10	DRK-320AK10	DRK-320MKAK10 ▲
LeSabre	81-77	Rear - 7.5"/7.6"	DRK-320B	DRK-320BMK ▲	AK11	DRK-320BAK11	DRK-320BMKAK11 ▲
LeSabre	81-73	Rear - 8.5"/8.6"	DRK-321R	DRK-321RMK ▲	AK10	DRK-321RAK10	DRK-321RMKAK10 ▲
Ranier	07-04	Front - 7.25"	DRK-320K	DRK-320KMK	AK87	DRK-320KAK87	DRK-320KMKAK87
Ranier	07-04	Rear - 8"	DRK-320D	DRK-320DMK ▲	AK12	DRK-320DAK12	DRK-320DMKAK12 ▲
Ranier	07-04	Rear - 8.5"/8.6"	DRK-321C	DRK-321CMK ▲	AK12	DRK-321CAK12	DRK-321CMKAK12 ▲
Regal	87-82	Rear - 7.5"/7.6"	DRK-320	DRK-320MK ▲	AK11	DRK-320AK11	DRK-320MKAK11 ▲
Regal	87-78	Rear - 8.5"/8.6"	DRK-321R	DRK-321RMK ▲	AK11	DRK-321RAK11	DRK-321RMKAK11 ▲
Regal	81-78	Rear - 7.5"/7.6"	DRK-320B	DRK-320BMK ▲	AK11	DRK-320BAK11	DRK-320BMKAK11 ▲
Regal	77-73	Rear - 8.5"/8.6"	DRK-321R	DRK-321RMK ▲	AK11	DRK-321RAK11	DRK-321RMKAK11 ▲
Roadmaster	96-91	Rear - 8.5"/8.6"	DRK-321R	DRK-321RMK ▲	AK10	DRK-321RAK10	DRK-321RMKAK10 ▲
Roadmaster	96-91	Rear - 8.5"/8.6" w/ Limited Slip Differential	DRK-321D	DRK-321DMK ▲	AK10	DRK-321DAK10	DRK-321DMKAK10 ▲
Roadmaster	96-91	Rear - 7.5"/7.6"	DRK-320	DRK-320MK ▲	AK10	DRK-320AK10	DRK-320MKAK10 ▲
Skyhawk	80-75	Rear - 7.5"/7.6"	DRK-320B	DRK-320BMK ▲	AK11	DRK-320BAK11	DRK-320BMKAK11 ▲
Skylark	79-76	Rear - 7.5"/7.6"	DRK-320B	DRK-320BMK ▲	AK11	DRK-320BAK11	DRK-320BMKAK11 ▲
Skylark	79-71	Rear - 8.5"/8.6"	DRK-321R	DRK-321RMK ▲	AK11	DRK-321RAK11	DRK-321RMKAK11 ▲
CADILLAC							
Brougham	92-87	Rear - 8.5"/8.6"	DRK-321R	DRK-321RMK ▲	AK11	DRK-321RAK11	DRK-321RMKAK11 ▲
DeVille	84-77	Rear - 8.5"/8.6"	DRK-321R	DRK-321RMK ▲	AK10	DRK-321RAK10	DRK-321RMKAK10 ▲
Escalade	19-15	Front - 8.25"	DRK-321T	DRK-321TMK	AK70	DRK-321TAK70	DRK-321TMKAK70
Escalade	14-99	Front - 8.25"	DRK-321T	DRK-321TMK	AK83	DRK-321TAK83	DRK-321TMKAK83

LD Differential

Light Duty Differential Applications

Make/Model	Year	Position/ Ring Gear Size	Standard Kit	Master Kit	Axle Kit	Standard Kit Plus	Master Kit Plus
CADILLAC (cont'd)							
Escalade	19-15	Rear - 9.5"	DRK-324E	DRK-324EMK ▲	AK12	DRK-324EAK12	DRK-324EMKAK12 ▲
Escalade	19-15	Rear - 9.76"	DRK-324H	DRK-324HMK ▲	AK12	DRK-324HAK12	DRK-324HMKAK12 ▲
Escalade	14-09	Rear - 8.5"/8.6"	DRK-321Q	DRK-321QMK ▲	AK12	DRK-321QAK12	DRK-321QMKAK12 ▲
Escalade	08-02	Rear - 8.5"/8.6"	DRK-321C	DRK-321CMK ▲	AK12	DRK-321CAK12	DRK-321CMKAK12 ▲
Escalade	00-99	Rear - 8.5"/8.6"	DRK-321R	DRK-321RMK ▲	AK12	DRK-321RAK12	DRK-321RMKAK12 ▲
Escalade ESV	19-15	Front - 8.25"	DRK-321T	DRK-321TMK	AK70	DRK-321TAK70	DRK-321TMKAK70
Escalade ESV	14-03	Front - 8.25"	DRK-321T	DRK-321TMK	AK83	DRK-321TAK83	DRK-321TMKAK83
Escalade ESV	19-15	Rear - 9.5"	DRK-324E	DRK-324EMK ▲	AK12	DRK-324EAK12	DRK-324EMKAK12 ▲
Escalade ESV	19-15	Rear - 9.76"	DRK-324H	DRK-324HMK ▲	AK12	DRK-324HAK12	DRK-324HMKAK12 ▲
Escalade ESV	14-09	Rear - 8.5"/8.6"	DRK-321Q	DRK-321QMK ▲	AK12	DRK-321QAK12	DRK-321QMKAK12 ▲
Escalade ESV	08-03	Rear - 8.5"/8.6"	DRK-321C	DRK-321CMK ▲	AK12	DRK-321CAK12	DRK-321CMKAK12 ▲
Escalade EXT	13-02	Front - 8.25"	DRK-321T	DRK-321TMK	AK83	DRK-321TAK83	DRK-321TMKAK83
Escalade EXT	13-09	Rear - 8.5"/8.6"	DRK-321Q	DRK-321QMK ▲	AK12	DRK-321QAK12	DRK-321QMKAK12 ▲
Escalade EXT	08-02	Rear - 8.5"/8.6"	DRK-321C	DRK-321CMK ▲	AK12	DRK-321CAK12	DRK-321CMKAK12 ▲
Fleetwood	96-94	Rear - 9.5"	DRK-324	DRK-324MK ▲	AK16	DRK-324AK16	DRK-324MKAK16 ▲
Fleetwood	96-77	Rear - 8.5"/8.6"	DRK-321R	DRK-321RMK ▲	AK10	DRK-321RAK10	DRK-321RMKAK10 ▲
CHEVROLET							
150 Series	57-55	Rear - 8.2" Axle Shaft w/1.781" Differential Brgs.	DRK-321G	DRK-321GMK			
210 Series	57-55	Rear - 8.2" Axle Shaft w/1.781" Differential Brgs.	DRK-321G	DRK-321GMK			
Astro	05-90	Front - 7.25"	DRK-320A	DRK-320AMK	AK86	DRK-320AAK86	DRK-320AMKAK86
Astro	05-03	Rear - 7.5"/7.6"	DRK-320C	DRK-320CMK ▲	AK12	DRK-320CAK12	DRK-320CMKAK12 ▲
Astro	02-99	Rear - 7.5"/7.6"	DRK-320C	DRK-320CMK ▲	AK14	DRK-320CAK14	DRK-320CMKAK14 ▲
Astro	98-85	Rear - 7.5"/7.6"	DRK-320	DRK-320MK ▲	AK14	DRK-320AK14	DRK-320MKAK14 ▲
Avalanche 1500	13-02	Front - 8.25"	DRK-321T	DRK-321TMK	AK83	DRK-321TAK83	DRK-321TMKAK83
Avalanche 1500	13-09	Rear - 8.5"/8.6"	DRK-321Q	DRK-321QMK ▲	AK12	DRK-321QAK12	DRK-321QMKAK12 ▲
Avalanche 1500	11-02	Rear - 9.5"	DRK-324B	DRK-324BMK	AK16	DRK-324BAK16	DRK-324BMKAK16
Avalanche 1500	08-02	Rear - 8.5"/8.6"	DRK-321C	DRK-321CMK ▲	AK12	DRK-321CAK12	DRK-321CMKAK12 ▲
Avalanche 2500	06-02	Front - 9.25"	DRK-324C	DRK-324CMK ▲	AK92	DRK-324CAK92	DRK-324CMKAK92 ▲
Avalanche 2500	06-02	Rear - 10.5"	DRK-325B	DRK-325BMK	AK29	DRK-325BAK29	DRK-325BMKAK29
Belair	64-55	Rear - 8.2" Axle Shaft w/1.781" Differential Brgs.	DRK-321G	DRK-321GMK			
Biscayne	72-71	Rear - 8.5"/8.6"	DRK-321R	DRK-321RMK ▲	AK10	DRK-321RAK10	DRK-321RMKAK10 ▲
Biscayne	64-58	Rear - 8.2" Axle Shaft w/1.781" Differential Brgs.	DRK-321G	DRK-321GMK			
Blazer Full Size	94-92	Front - 8.25"	DRK-321A	DRK-321AMK	AK95	DRK-321AAK95	DRK-321AMKAK95
Blazer Full Size	91-80	Front - 8.5"/8.6"	DRK-321R	DRK-321RMK ▲			
Blazer Full Size	79-69	Front - Dana 44	DRK-339B	DRK-339BMK			
Blazer Full Size	94-82	Rear - 8.5"/8.6"	DRK-321R	DRK-321RMK ▲	AK10	DRK-321RAK10	DRK-321RMKAK10 ▲
Blazer Full Size	91-82	Rear - 8.5"/8.6"	DRK-321R	DRK-321RMK ▲	AK10	DRK-321RAK10	DRK-321RMKAK10 ▲
Blazer Full Size	81-69	Rear - 8.875"	DRK-322	DRK-322MK ▲	AK10	DRK-322AK10	DRK-322MKAK10 ▲
Blazer S10 Size	05-83	Front - 7.25"	DRK-320A	DRK-320AMK	AK86	DRK-320AAK86	DRK-320AMKAK86
Blazer S10 Size	05-99	Rear - 7.5"/7.6"	DRK-320C	DRK-320CMK ▲	AK11	DRK-320CAK11	DRK-320CMKAK11 ▲
Blazer S10 Size	05-99	Rear - 8.5"/8.6"	DRK-321C	DRK-321CMK ▲	AK10	DRK-321CAK10	DRK-321CMKAK10 ▲
Blazer S10 Size	98-95	Rear - 8.5"/8.6"	DRK-321R	DRK-321RMK ▲	AK10	DRK-321RAK10	DRK-321RMKAK10 ▲
Blazer S10 Size	98-83	Rear - 7.5"/7.6"	DRK-320	DRK-320MK ▲	AK11	DRK-320AK11	DRK-320MKAK11 ▲
Camaro	15-13	Rear - 250MM Ring Gear ZL1	DRK-325C	DRK-325CMK ▲			

▲ Add "S" suffix to kit number to receive stackable differential shims in kit.

Light Duty Differential Applications

Make/Model	Year	Position/ Ring Gear Size	Standard Kit	Master Kit	Axle Kit	Standard Kit Plus	Master Kit Plus
CHEVROLET (cont'd)							
Camaro	15-10	Rear - 195MM Ring Gear	DRK-320J	DRK-320JMK ▲	AK55	DRK-320JAK55	DRK-320JMKAK55
Camaro	15-10	Rear - 218MM Ring Gear	DRK-321S	DRK-321SMK ▲	AK54	DRK-321SAK54	DRK-321SMKAK54 ▲
Camaro	02-99	Rear - 7.5"/7.6"	DRK-320C	DRK-320CMK ▲	AK11	DRK-320CAK11	DRK-320CMKAK11 ▲
Camaro	98-82	Rear - 7.5"/7.6"	DRK-320	DRK-320MK ▲	AK11	DRK-320AK11	DRK-320MKAK11 ▲
Camaro	90-87	Rear - Borg Warner 7.75"	DRK-326	DRK-326MK			
Camaro	81-70	Rear - 8.5"/8.6"	DRK-321R	DRK-321RMK ▲	AK11	DRK-321RAK11	DRK-321RMKAK11 ▲
Camaro	72-67	Rear - 8.875"	DRK-323A	DRK-323AMK ▲	AK11		
Camaro	70-67	Rear - 8.2" Axle Shaft w/1.781" Differential Brgs.	DRK-321B	DRK-321BMK ▲	AK11	DRK-321BAK11	DRK-321BMKAK11 ▲
Caprice	17-11	Rear - 8.25"	DRK-326B	DRK-326BMK	AK56	DRK-326BAK56	DRK-326BMKAK56
Caprice	96-81	Rear - 7.5"/7.6"	DRK-320	DRK-320MK ▲	AK11	DRK-320AK11	DRK-320MKAK11 ▲
Caprice	96-73	Rear - 8.5"/8.6"	DRK-321R	DRK-321RMK ▲	AK10	DRK-321RAK10	DRK-321RMKAK10 ▲
Caprice	81-77	Rear - 7.5"/7.6"	DRK-320B	DRK-320BMK ▲	AK11	DRK-320BAK11	DRK-320BMKAK11 ▲
Caprice	72-66	Rear - 8.875"	DRK-323A	DRK-323AMK ▲	AK10	DRK-323AAK10	DRK-323AMKAK10 ▲
Caprice	71-66	Rear - 8.2" Axle Shaft w/1.781" Differential Brgs.	DRK-321B	DRK-321BMK ▲	AK10	DRK-321BAK11	DRK-321BMKAK11 ▲
Chevelle	73-64	Rear - 8.2" Axle Shaft w/1.781" Differential Brgs.	DRK-321B	DRK-321BMK ▲	AK11	DRK-321BAK11	DRK-321BMKAK11 ▲
Chevelle	73-64	Rear - 8.875"	DRK-323A	DRK-323AMK ▲			
Chevy II	68-65	Rear - 8.875"	DRK-323A	DRK-323AMK ▲			
Chevy II	68-64	Rear - 8.2" Axle Shaft w/1.625" Differential Brgs.	DRK-321B	DRK-321BMK ▲	AK11	DRK-321BAK11	DRK-321BMKAK11 ▲
Chevy II	1964	Rear - 8.2" Axle Shaft w/1.781" Differential Brgs.	DRK-321G	DRK-321GMK			
Colorado	19-15	Front - All	DRK-369	DRK-369MK			
Colorado	12-04	Front - 7.6" IFS	DRK-320L	DRK-320LMK ▲	AK85	DRK-320LAK85	DRK-320LMKAK85 ▲
Colorado	19-15	Rear - Dana M200	DRK-367	DRK-367MK	AK58	DRK-367AK58	DRK-367MKAK58
Colorado	19-15	Rear - Dana M220	DRK-368	DRK-368MK	AK58	DRK-368AK58	DRK-368MKAK58
Colorado	12-09	Rear - 8.5"/8.6"	DRK-321Q	DRK-321QMK ▲	AK12	DRK-321QAK12	DRK-321QMKAK12 ▲
Colorado	12-04	Rear - 8.0"	DRK-320D	DRK-320DMK ▲	AK12	DRK-320DAK12	DRK-320DMKAK12 ▲
Corvette	04-97	Rear - Getrag	DRK-328				
Corvette	96-85	Rear - Dana 36, w/ Auto Trans	DRK-338	DRK-338MK			
Corvette	96-85	Rear - Dana 44, w/ Man Trans	DRK-339A	DRK-339AMK ▲			
Corvette	1984	Rear - Dana 44	DRK-339A	DRK-339AMK ▲			
Corvette	82-80	Rear - Dana 44	DRK-339	DRK-339MK ▲			
Corvette	79-63	Rear - 8.5"/8.6"	DRK-323	DRK-323MK ▲	AK39	DRK-323AK39	DRK-323MKAK39 ▲
Corvette	62-55	Rear - 8.2" Axle Shaft w/1.781" Differential Brgs.	DRK-321G	DRK-321GMK			
El Camino	87-82	Rear - 7.5"/7.6"	DRK-320	DRK-320MK ▲	AK11	DRK-320AK11	DRK-320MKAK11 ▲
El Camino	87-77	Rear - 8.5"/8.6"	DRK-321R	DRK-321RMK ▲	AK10	DRK-321RAK10	DRK-321RMKAK10 ▲
El Camino	81-77	Rear - 7.5"/7.6"	DRK-320B	DRK-320BMK ▲	AK11	DRK-320BAK11	DRK-320BMKAK11 ▲
El Camino	76-71	Rear - 8.5"/8.6"	DRK-321R	DRK-321RMK ▲	AK10	DRK-321RAK10	DRK-321RMKAK10 ▲
El Camino	72-65	Rear - 8.875"	DRK-323A	DRK-323AMK ▲			
El Camino	71-64	Rear - 8.2" Axle Shaft w/1.625" Differential Brgs.	DRK-321B	DRK-321BMK ▲	AK11	DRK-321BAK11	DRK-321BMKAK11 ▲

LD Differential

Light Duty Differential Applications

Make/Model	Year	Position/ Ring Gear Size	Standard Kit	Master Kit	Axle Kit	Standard Kit Plus	Master Kit Plus
CHEVROLET (cont'd)							
El Camino	64-59	Rear - 8.2" Axle Shaft w/1.781" Differential Brgs.	DRK-321G	DRK-321GMK			
Impala	96-82	Rear - 7.5"/7.6"	DRK-320	DRK-320MK ▲	AK11	DRK-320AK11	DRK-320MKAK11 ▲
Impala	96-73	Rear - 8.5"/8.6"	DRK-321R	DRK-321RMK ▲	AK11	DRK-321RAK11	DRK-321RMKAK11 ▲
Impala	81-77	Rear - 7.5"/7.6"	DRK-320B	DRK-320BMK ▲	AK11	DRK-320BAK11	DRK-320BMKAK11 ▲
Impala	72-65	Rear - 8.2" Axle Shaft w/1.781" Differential Brgs.	DRK-321B	DRK-321BMK ▲	AK11	DRK-321BAK11	DRK-321BMKAK11 ▲
Impala	72-65	Rear - 8.875"	DRK-323A	DRK-323AMK ▲	AK11		
Impala	64-59	Rear - 8.2" Axle Shaft w/1.781" Differential Brgs.	DRK-321G	DRK-321GMK			
Malibu	83-82	Rear - 7.5"/7.6"	DRK-320	DRK-320MK ▲	AK11	DRK-320AK11	DRK-320MKAK11 ▲
Malibu	81-77	Rear - 7.5"/7.6"	DRK-320B	DRK-320BMK ▲	AK11	DRK-320BAK11	DRK-320BMKAK11 ▲
Monte Carlo	88-82	Rear - 7.5"/7.6"	DRK-320	DRK-320MK ▲	AK11	DRK-320AK11	DRK-320MKAK11 ▲
Monte Carlo	81-77	Rear - 7.5"/7.6"	DRK-320B	DRK-320BMK ▲	AK11	DRK-320BAK11	DRK-320BMKAK11 ▲
Monte Carlo	77-71	Rear - 8.5"/8.6"	DRK-321R	DRK-321RMK ▲	AK11	DRK-321RAK11	DRK-321RMKAK11 ▲
Monte Carlo	72-70	Rear - 8.2" Axle Shaft w/1.781" Differential Brgs.	DRK-321B	DRK-321BMK ▲			
Monte Carlo	72-70	Rear - 8.875"	DRK-323A	DRK-323AMK ▲			
Monza	80-75	Rear - 7.5"/7.6"	DRK-320B	DRK-320BMK ▲	AK11	DRK-320BAK11	DRK-320BMKAK11 ▲
Nova	79-70	Rear - 8.5"/8.6"	DRK-321R	DRK-321RMK ▲	AK11	DRK-321RAK11	DRK-321RMKAK11 ▲
Nova	72-70	Rear - 8.875"	DRK-323A	DRK-323AMK ▲	AK11		
Nova	72-69	Rear - 8.2"	DRK-321B	DRK-321BMK ▲	AK11	DRK-321BAK11	DRK-321BMKAK11 ▲
S10	04-97	Front - 7.25"	DRK-320A	DRK-320AMK	AK86	DRK-320AAK86	DRK-320AMKAK86
S10	96-83	Front - 7.25"	DRK-320A	DRK-320AMK	AK86	DRK-320AAK86	DRK-320AMKAK86
S10	04-99	Rear - 7.5"/7.6"	DRK-320C	DRK-320CMK ▲	AK11	DRK-320CAK11	DRK-320CMKAK11 ▲
S10	04-99	Rear - 8.5"/8.6"	DRK-321C	DRK-321CMK ▲	AK10	DRK-321CAK10	DRK-321CMKAK10 ▲
S10	98-94	Rear - 8.5"/8.6"	DRK-321R	DRK-321RMK ▲	AK10	DRK-321RAK10	DRK-321RMKAK10 ▲
S10	98-82	Rear - 7.5"/7.6"	DRK-320	DRK-320MK ▲	AK11	DRK-320AK11	DRK-320MKAK11 ▲
SS	17-14	Rear - 8.25"	DRK-326B	DRK-326BMK	AK56	DRK-326BAK56	DRK-326BMKAK56
SSR	06-03	Rear - 8.5"/8.6"	DRK-321C	DRK-321CMK ▲	AK12	DRK-321CAK12	DRK-321CMKAK12 ▲
SSR	06-03	Rear - 9.5"	DRK-324B	DRK-324BMK	AK12	DRK-324BAK12	DRK-324BMKAK12
Suburban	19-15	Front - 8.25"	DRK-321T	DRK-321TMK	AK70	DRK-321TAK70	DRK-321TMKAK70
Suburban	19-15	Rear - 9.5"	DRK-324E	DRK-324EMK ▲	AK12	DRK-324EAK12	DRK-324EMKAK12 ▲
Suburban	19-15	Rear - 9.76"	DRK-324H	DRK-324HMK ▲	AK12	DRK-324HAK12	DRK-324HMKAK12 ▲
Suburban 1500	14-98	Front - 8.25"	DRK-321T	DRK-321TMK	AK83	DRK-321TAK83	DRK-321TMKAK83
Suburban 1500	97-90	Front - 8.25"	DRK-321A	DRK-321AMK	AK95	DRK-321AAK95	DRK-321AMKAK95
Suburban 1500	91-77	Front - 8.5"/8.6"	DRK-321	DRK-321MK ▲			
Suburban 1500	80-73	Front - Dana 44	DRK-339B	DRK-339BMK			
Suburban 1500	14-09	Rear - 8.5"/8.6"	DRK-321Q	DRK-321QMK ▲	AK12	DRK-321QAK12	DRK-321QMKAK12 ▲
Suburban 1500	08-00	Rear - 8.5"/8.6"	DRK-321C	DRK-321CMK ▲	AK12	DRK-321CAK12	DRK-321CMKAK12 ▲
Suburban 1500	08-98	Rear - 9.5"	DRK-324B	DRK-324BMK	AK16	DRK-324BAK16	DRK-324BMKAK16
Suburban 1500	99-82	Rear - 8.5"/8.6"	DRK-321R	DRK-321RMK ▲	AK12	DRK-321RAK12	DRK-321RMKAK12 ▲
Suburban 1500	81-73	Rear - 8.875"	DRK-322	DRK-322MK ▲	AK17	DRK-322AK17	DRK-322MKAK17 ▲
Suburban 2500	13-11	Front - 9.25"	DRK-324D	DRK-324DMK ▲	AK102	DRK-324DAK102	DRK-324DMKAK102 ▲
Suburban 2500	10-98	Front - 9.25"	DRK-324C	DRK-324CMK ▲	AK92	DRK-324CAK92	DRK-324CMKAK92 ▲
Suburban 2500	97-92	Front - 9.25"	DRK-324A	DRK-324AMK ▲	AK92	DRK-324AAK92	DRK-324AMKAK92
Suburban 2500	91-77	Front - 8.5"/8.6"	DRK-321	DRK-321MK ▲			
Suburban 2500	80-73	Front - Dana 44	DRK-339B	DRK-339BMK			
Suburban 2500	13-11	Rear - 10.5"	DRK-325B	DRK-325BMK	AK44	DRK-325BAK44	DRK-325BMKAK44
Suburban 2500	13-98	Rear - 9.5"	DRK-324B	DRK-324BMK	AK16	DRK-324BAK16	DRK-324BMKAK16
Suburban 2500	10-08	Rear - 10.5"	DRK-325B	DRK-325BMK	AK29	DRK-325BAK29	DRK-325BMKAK29

▲ Add "S" suffix to kit number to receive stackable differential shims in kit.

Light Duty Differential Applications



Make/Model	Year	Position/ Ring Gear Size	Standard Kit	Master Kit	Axle Kit	Standard Kit Plus	Master Kit Plus
CHEVROLET (cont'd)							
Suburban 2500	05-02	Rear - Dana 60 Quadrasteer	DRK-331C	DRK-331CMK			
Suburban 2500	97-81	Rear - 9.5"	DRK-324	DRK-324MK ▲	AK16	DRK-324AK16	DRK-324MKAK16 ▲
Suburban 2500	81-73	Rear - 8.875"	DRK-322	DRK-322MK ▲	AK17	DRK-322AK17	DRK-322MKAK17 ▲
Suburban 3500 HD	19-16	Front - 9.25"	DRK-324D	DRK-324DMK ▲	AK102	DRK-324DAK102	
Suburban 3500 HD	19-16	Rear - 10.5"	DRK-325B	DRK-325BMK	AK44	DRK-325BAK44	DRK-325BMKAK44
Suburban 3500 HD	19-16	Rear - 11.5"	DRK-327A	DRK-327AMK	AK44	DRK-327AAK44	DRK-327AMKAK44
Tahoe	19-15	Front - 8.25"	DRK-321T	DRK-321TMK	AK70	DRK-321TAK70	DRK-321TMKAK70
Tahoe	14-98	Front - 8.25"	DRK-321T	DRK-321TMK	AK83	DRK-321TAK83	DRK-321TMKAK83
Tahoe	97-95	Front - 8.25"	DRK-321A	DRK-321AMK	AK95	DRK-321AAK95	DRK-321AMKAK95
Tahoe	19-15	Rear - 9.5"	DRK-324E	DRK-324EMK ▲	AK12	DRK-324EAK12	DRK-324EMKAK12 ▲
Tahoe	19-15	Rear - 9.76"	DRK-324H	DRK-324HMK ▲	AK12	DRK-324HAK12	DRK-324HMKAK12 ▲
Tahoe	14-09	Rear - 8.5"/8.6"	DRK-321Q	DRK-321QMK ▲	AK12	DRK-321QAK12	DRK-321QMKAK12 ▲
Tahoe	08-00	Rear - 8.5"/8.6"	DRK-321C	DRK-321CMK ▲	AK12	DRK-321CAK12	DRK-321CMKAK12 ▲
Tahoe	99-95	Rear - 8.5"/8.6"	DRK-321R	DRK-321RMK ▲	AK12	DRK-321RAK12	DRK-321RMKAK12 ▲
Trailblazer	09-02	Front - 7.25"	DRK-320K	DRK-320KMK	AK87	DRK-320KAK87	DRK-320KMKAK87
Trailblazer	09-06	Rear - 9.5"	DRK-324B	DRK-324BMK	AK12	DRK-324BAK12	DRK-324BMKAK12
Trailblazer	09-02	Rear - 8"	DRK-320D	DRK-320DMK ▲	AK12	DRK-320DAK12	DRK-320DMKAK12 ▲
Trailblazer	08-02	Rear - 8.5"/8.6"	DRK-321C	DRK-321CMK ▲	AK12	DRK-321CAK12	DRK-321CMKAK12 ▲
Truck 1/2 Ton	2019	Front - 8.25" AAM RPO Code SU4	DRK-321T	DRK-321TMK	AK70	DRK-321TAK70	DRK-321TMKAK70
Truck 1/2 Ton	18-14	Front - 8.25"	DRK-321T	DRK-321TMK	AK70	DRK-321TAK70	DRK-321TMKAK70
Truck 1/2 Ton	13-98	Front - 8.25"	DRK-321T	DRK-321TMK	AK83	DRK-321TAK83	DRK-321TMKAK83
Truck 1/2 Ton	97-88	Front - 8.25"	DRK-321A	DRK-321AMK	AK95	DRK-321AAK95	DRK-321AMKAK95
Truck 1/2 Ton	87-77	Front - 8.5"/8.6"	DRK-321	DRK-321MK ▲			
Truck 1/2 Ton	80-69	Front - Dana 44	DRK-339B	DRK-339BMK			
Truck 1/2 Ton	2019	Rear - 9.5" AAM RPO Code SU7	DRK-324E	DRK-324EMK ▲	AK12	DRK-324EAK12	DRK-324EMKAK12 ▲
Truck 1/2 Ton	19-14	Rear - 9.76"	DRK-324H	DRK-324HMK ▲	AK12	DRK-324HAK12	DRK-324HMKAK12 ▲
Truck 1/2 Ton	18-14	Rear - 9.5"	DRK-324E	DRK-324EMK ▲	AK12	DRK-324EAK12	DRK-324EMKAK12 ▲
Truck 1/2 Ton	18-09	Rear - 8.5"/8.6"	DRK-321Q	DRK-321QMK ▲	AK12	DRK-321QAK12	DRK-321QMKAK12 ▲
Truck 1/2 Ton	13-98	Rear - 9.5"	DRK-324B	DRK-324BMK	AK16	DRK-324BAK16	DRK-324BMKAK16
Truck 1/2 Ton	08-00	Rear - 8.5"/8.6"	DRK-321C	DRK-321CMK ▲	AK12	DRK-321CAK12	DRK-321CMKAK12 ▲
Truck 1/2 Ton	05-02	Rear - Dana 60 Quadrasteer	DRK-331C	DRK-331CMK			
Truck 1/2 Ton	99-88	Rear - 8.5"/8.6"	DRK-321R	DRK-321RMK ▲	AK12	DRK-321RAK12	DRK-321RMKAK12 ▲
Truck 1/2 Ton	99-88	Rear - 8.5"/8.6" w/ Limited Slip Differential	DRK-321D	DRK-321DMK ▲	AK12	DRK-321DAK12	DRK-321DMKAK12 ▲
Truck 1/2 Ton	97-88	Rear - 9.5"	DRK-324	DRK-324MK ▲	AK16	DRK-324AK16	DRK-324MKAK16 ▲
Truck 1/2 Ton	87-80	Rear - 8.5"/8.6"	DRK-321R	DRK-321RMK ▲	AK10	DRK-321RAK10	DRK-321RMKAK10 ▲
Truck 1/2 Ton	87-70	Rear - 8.5"/8.6" w/ Limited Slip Differential	DRK-321D	DRK-321DMK ▲	AK10	DRK-321DAK10	DRK-321DMKAK10 ▲
Truck 1/2 Ton	82-80	Rear - 8.875"	DRK-322	DRK-322MK ▲	AK10	DRK-322AK10	DRK-322MKAK10 ▲
Truck 1/2 Ton	81-80	Rear - 8.75"	DRK-323	DRK-323MK ▲			
Truck 1/2 Ton	79-71	Rear - 8.5"/8.6"	DRK-321R	DRK-321RMK ▲	AK10	DRK-321RAK10	DRK-321RMKAK10 ▲
Truck 1/2 Ton	79-64	Rear - 8.875"	DRK-322	DRK-322MK ▲	AK10	DRK-322AK10	DRK-322MKAK10 ▲
Truck 1/2 Ton	72-65	Rear - Dana 44	DRK-339B	DRK-339BMK			
Truck 3/4 Ton	18-11	Front - 9.25"	DRK-324D	DRK-324DMK ▲	AK102	DRK-324DAK102	DRK-324DMKAK102 ▲
Truck 3/4 Ton	10-98	Front - 9.25"	DRK-324C	DRK-324CMK ▲	AK92	DRK-324CAK92	DRK-324CMKAK92 ▲
Truck 3/4 Ton	97-88	Front - 9.25"	DRK-324A	DRK-324AMK ▲	AK92	DRK-324AAK92	DRK-324AMKAK92
Truck 3/4 Ton	91-77	Front - 8.5"/8.6"	DRK-321	DRK-321MK ▲			
Truck 3/4 Ton	80-68	Front - Dana 44	DRK-339B	DRK-339BMK			
Truck 3/4 Ton	18-14	Rear - 9.5"	DRK-324E	DRK-324EMK ▲	AK12	DRK-324EAK12	DRK-324EMKAK12 ▲
Truck 3/4 Ton	18-11	Rear - 10.5"	DRK-325B	DRK-325BMK	AK44	DRK-325BAK44	DRK-325BMKAK44

LD Differential

Light Duty Differential Applications

Make/Model	Year	Position/ Ring Gear Size	Standard Kit	Master Kit	Axle Kit	Standard Kit Plus	Master Kit Plus
CHEVROLET (cont'd)							
Truck 3/4 Ton	18-11	Rear - 11.5" 2nd Design w/4.375" Pinion Brg.	DRK-327A	DRK-327AMK	AK44	DRK-327AAK44	DRK-327AMKAK44
Truck 3/4 Ton	13-11	Rear - 9.5"	DRK-324B	DRK-324BMK	AK16	DRK-324BAK16	DRK-324BMKAK16
Truck 3/4 Ton	11-01	Rear - 11.5" 1st Design w/4.125" Pinion Brg.	DRK-327	DRK-327MK	AK29	DRK-327AK29	DRK-327MKAK29
Truck 3/4 Ton	10-00	Rear - 10.5"	DRK-325B	DRK-325BMK	AK29	DRK-325BAK29	DRK-325BMKAK29
Truck 3/4 Ton	10-98	Rear - 9.5"	DRK-324B	DRK-324BMK	AK16	DRK-324BAK16	DRK-324BMKAK16
Truck 3/4 Ton	05-02	Rear - Dana 60 Quadrateer	DRK-331C	DRK-331CMK			
Truck 3/4 Ton	99-98	Rear - 10.5"	DRK-325B	DRK-325BMK	AK21	DRK-325BAK21	DRK-325BMKAK21
Truck 3/4 Ton	97-89	Rear - 10.5"	DRK-325A	DRK-325AMK	AK21	DRK-325AAK21	DRK-325AMKAK21
Truck 3/4 Ton	97-81	Rear - 9.5"	DRK-324	DRK-324MK ▲	AK16	DRK-324AK16	DRK-324MKAK16 ▲
Truck 3/4 Ton	1988	Rear - 10.5" 1st Design	DRK-325 ⁴⁷	DRK-325MK ⁴⁷	AK21	DRK-325AK21 ⁴⁷	DRK-325MKAK21 ⁴⁷
Truck 3/4 Ton	1988	Rear - 10.5" 2nd Design	DRK-325A	DRK-325AMK	AK21	DRK-325AAK21	DRK-325AMKAK21
Truck 3/4 Ton	87-73	Rear - 10.5"	DRK-325 ⁴⁷	DRK-325MK ⁴⁷	AK21	DRK-325AK21 ⁴⁷	DRK-325MKAK21 ⁴⁷
Truck 3/4 Ton	81-80	Rear - 8.5"/8.6"	DRK-323	DRK-323MK ▲	AK17	DRK-323AK17	DRK-323MKAK17 ▲
Truck 3/4 Ton	81-69	Rear - 8.875"	DRK-322	DRK-322MK ▲	AK10	DRK-322AK10	DRK-322MKAK10 ▲
Truck 3/4 Ton	72-67	Rear - Dana 60	DRK-331	DRK-331MK			
Truck 1 Ton	18-11	Front - 9.25"	DRK-324D	DRK-324DMK ▲	AK102	DRK-324DAK102	DRK-324DMKAK102 ▲
Truck 1 Ton	10-98	Front - 9.25"	DRK-324C	DRK-324CMK ▲	AK92	DRK-324CAK92	DRK-324CMKAK92 ▲
Truck 1 Ton	97-88	Front - 9.25"	DRK-324A	DRK-324AMK ▲	AK92	DRK-324AAK92	DRK-324AMKAK92
Truck 1 Ton	91-77	Front - Dana 60	DRK-331	DRK-331MK	AK42	DRK-331AK42	DRK-331MKAK42
Truck 1 Ton	18-11	Rear - 11.5" 2nd Design w/4.375" Pinion Brg.	DRK-327A	DRK-327AMK	AK44	DRK-327AAK44	DRK-327AMKAK44
Truck 1 Ton	15-11	Rear - 10.5"	DRK-325B	DRK-325BMK	AK44	DRK-325BAK44	DRK-325BMKAK44
Truck 1 Ton	11-01	Rear - 11.5" 1st Design w/4.125" Pinion Brg.	DRK-327	DRK-327MK	AK29 ⁴⁹	DRK-327AK29 ⁴⁹	DRK-327MKAK29 ⁴⁹
Truck 1 Ton	11-01	Rear - 11.5" 1st Design w/4.125" Pinion Brg.	DRK-327	DRK-327MK	AK59 ⁴⁸	DRK-327AK59 ⁴⁸	DRK-327MKAK59 ⁴⁸
Truck 1 Ton	00-98	Rear - 10.5"	DRK-325B	DRK-325BMK	AK21	DRK-325BAK21	DRK-325BMKAK21
Truck 1 Ton	99-91	Rear - Dana 80	DRK-337	DRK-337MK			
Truck 1 Ton	97-89	Rear - 10.5"	DRK-325A	DRK-325AMK	AK21	DRK-325AAK21	DRK-325AMKAK21
Truck 1 Ton	95-83	Rear - 9.5"	DRK-324	DRK-324MK ▲	AK16	DRK-324AK16	DRK-324MKAK16 ▲
Truck 1 Ton	94-73	Rear - Dana 70HD	DRK-332HD	DRK-332HDMK			
Truck 1 Ton	91-84	Rear - Dana 70U	DRK-332U	DRK-332UMK			
Truck 1 Ton	91-73	Rear - Dana 60	DRK-331	DRK-331MK			
Truck 1 Ton	90-73	Rear - Dana 70	DRK-332	DRK-332MK			
Truck 1 Ton	1988	Rear - 10.5" 1st Design	DRK-325 ⁴⁷	DRK-325MK ⁴⁷	AK21	DRK-325AK21 ⁴⁷	DRK-325MKAK21 ⁴⁷
Truck 1 Ton	1988	Rear - 10.5" 2nd Design	DRK-325A	DRK-325AMK	AK21	DRK-325AAK21	DRK-325AMKAK21
Truck 1 Ton	87-72	Rear - 10.5"	DRK-325 ⁴⁷	DRK-325MK ⁴⁷	AK21	DRK-325AK21 ⁴⁷	DRK-325MKAK21 ⁴⁷
C4500 Kodiak	09-03	Front - Dana 70	DRK-332HD	DRK-332HDMK			
C4500 Kodiak	09-03	Rear - Dana S110/S111	DRK-434				
C5500 Kodiak	09-03	Front - Dana 70	DRK-332HD	DRK-332HDMK			
C5500 Kodiak	09-03	Rear - Dana S110/S111	DRK-434				
Silverado 4500 HD	2019	Front - Dana 60	DRK-331A	DRK-331AMK			
Silverado 4500 HD	2019	Rear - Dana S110/S111	DRK-434				
Silverado 4500 HD	2019	Rear - Dana S110/S111	DRK-434				
Silverado 5500 HD	2019	Front - Dana 60	DRK-331A	DRK-331AMK			
Silverado 5500 HD	2019	Rear - Dana S110/S111	DRK-434				
Silverado 5500 HD	2019	Rear - Dana S110/S111	DRK-434				
Silverado 6500 HD	2019	Front - Dana 60	DRK-331A	DRK-331AMK			
Silverado 6500 HD	2019	Rear - Dana S110/S111	DRK-434				
Silverado 6500 HD	2019	Rear - Dana S110/S111	DRK-434				
Van 1/2 Ton	14-03	Front - 7.25"	DRK-320A	DRK-320AMK	AK86	DRK-320AAK86	DRK-320AMKAK86

LD Differential

⁴⁷For 1984-85 Axles You Must Use Pinion Nose Bearing DC57524-Not Packed in Kit.

⁴⁸With Dual Rear Wheels

⁴⁹With Single Rear Wheels

▲ Add "S" suffix to kit number to receive stackable differential shims in kit.

Light Duty Differential Applications



Make/Model	Year	Position/ Ring Gear Size	Standard Kit	Master Kit	Axle Kit	Standard Kit Plus	Master Kit Plus
------------	------	-----------------------------	-----------------	---------------	-------------	----------------------	--------------------

CHEVROLET (cont'd)							
Van 1/2 Ton	14-09	Rear - 8.5"/8.6"	DRK-321Q	DRK-321QMK [▲]	AK12	DRK-321QAK12	DRK-321QMKAK12 [▲]
Van 1/2 Ton	08-99	Rear - 8.5"/8.6"	DRK-321C	DRK-321CMK [▲]	AK12	DRK-321CAK12	DRK-321CMKAK12 [▲]
Van 1/2 Ton	08-98	Rear - 9.5"	DRK-324B	DRK-324BMK	AK16	DRK-324BAK16	DRK-324BMKAK16
Van 1/2 Ton	98-96	Rear - 8.5"/8.6"	DRK-321R	DRK-321RMK [▲]	AK12	DRK-321RAK12	DRK-321RMKAK12 [▲]
Van 1/2 Ton	97-81	Rear - 9.5"	DRK-324	DRK-324MK [▲]	AK16	DRK-324AK16	DRK-324MKAK16 [▲]
Van 1/2 Ton	95-77	Rear - 8.5"/8.6"	DRK-321R	DRK-321RMK [▲]	AK10	DRK-321RAK10	DRK-321RMKAK10 [▲]
Van 1/2 Ton	81-64	Rear - 8.875"	DRK-322	DRK-322MK [▲]	AK10	DRK-322AK10	DRK-322MKAK10 [▲]
Van 3/4 Ton	05-03	Front - 7.25"	DRK-320A	DRK-320AMK	AK86	DRK-320AAK86	DRK-320AMKAK86
Van 3/4 Ton	17-11	Rear - 10.5"	DRK-325B	DRK-325BMK	AK44 ⁴⁹	DRK-325BAK44 ⁴⁹	DRK-325BMKAK44 ⁴⁹
Van 3/4 Ton	17-11	Rear - 11.5"	DRK-327A	DRK-327AMK	AK44	DRK-327AAK44	DRK-327AMKAK44
Van 3/4 Ton	14-98	Rear - 9.5"	DRK-324B	DRK-324BMK	AK16	DRK-324BAK16	DRK-324BMKAK16
Van 3/4 Ton	13-04	Rear - Dana 60/61	DRK-331B	DRK-331BMK	AK22	DRK-331BAK22	DRK-331BMKAK22
Van 3/4 Ton	10-03	Rear - 10.5"	DRK-325B	DRK-325BMK	AK59 ⁴⁸	DRK-325BAK59 ⁴⁸	DRK-325BMKAK59 ⁴⁸
Van 3/4 Ton	10-01	Rear - 10.5"	DRK-325B	DRK-325BMK	AK29 ⁴⁹	DRK-325BAK29 ⁴⁹	DRK-325BMKAK29 ⁴⁹
Van 3/4 Ton	10-01	Rear - 11.5"	DRK-327	DRK-327MK	AK29 ⁴⁹	DRK-327AK29 ⁴⁹	DRK-327MKAK29 ⁴⁹
Van 3/4 Ton	10-01	Rear - 11.5"	DRK-327	DRK-327MK	AK59 ⁴⁸	DRK-327AK59 ⁴⁸	DRK-327MKAK59 ⁴⁸
Van 3/4 Ton	00-98	Rear - 10.5"	DRK-325B	DRK-325BMK	AK21	DRK-325BAK21	DRK-325BMKAK21
Van 3/4 Ton	97-89	Rear - 10.5"	DRK-325A	DRK-325AMK	AK21	DRK-325AAK21	DRK-325AMKAK21
Van 3/4 Ton	97-80	Rear - 9.5"	DRK-324	DRK-324MK [▲]	AK16	DRK-324AK16	DRK-324MKAK16 [▲]
Van 3/4 Ton	1988	Rear - 10.5" 1st Design	DRK-325 ⁴⁷	DRK-325MK ⁴⁷	AK21	DRK-325AK21 ⁴⁷	DRK-325MKAK21 ⁴⁷
Van 3/4 Ton	1988	Rear - 10.5" 2nd Design	DRK-325A	DRK-325AMK	AK21	DRK-325AAK21	DRK-325AMKAK21
Van 3/4 Ton	87-73	Rear - 10.5"	DRK-325 ⁴⁷	DRK-325MK ⁴⁷	AK21	DRK-325AK21 ⁴⁷	DRK-325MKAK21 ⁴⁷
Van 3/4 Ton	81-69	Rear - 8.875"	DRK-322	DRK-322MK [▲]	AK10	DRK-322AK10	DRK-322MKAK10 [▲]
Van 1 Ton	17-11	Rear - 10.5"	DRK-325B	DRK-325BMK	AK44 ⁴⁹	DRK-325BAK44 ⁴⁹	DRK-325BMKAK44 ⁴⁹
Van 1 Ton	17-11	Rear - 11.5"	DRK-327A	DRK-327AMK	AK44	DRK-327AAK44	DRK-327AMKAK44
Van 1 Ton	17-03	Rear - 10.5"	DRK-325B	DRK-325BMK	AK59 ⁴⁸	DRK-325BAK59 ⁴⁸	DRK-325BMKAK59 ⁴⁸
Van 1 Ton	14-98	Rear - 9.5"	DRK-324B	DRK-324BMK	AK16	DRK-324BAK16	DRK-324BMKAK16
Van 1 Ton	10-04	Rear - Dana 60/61	DRK-331B	DRK-331BMK	AK22	DRK-331BAK22	DRK-331BMKAK22
Van 1 Ton	10-01	Rear - 11.5"	DRK-327	DRK-327MK	AK29 ⁴⁹	DRK-327AK29 ⁴⁹	DRK-327MKAK29 ⁴⁹
Van 1 Ton	10-01	Rear - 11.5"	DRK-327	DRK-327MK	AK59 ⁴⁸	DRK-327AK59 ⁴⁸	DRK-327MKAK59 ⁴⁸
Van 1 Ton	10-98	Rear - 10.5"	DRK-325B	DRK-325BMK	AK29	DRK-325BAK29	DRK-325BMKAK29
Van 1 Ton	09-02	Rear - Dana 70	DRK-332G	DRK-332GMK	AK23	DRK-332GAK23	DRK-332GMKAK23
Van 1 Ton	97-89	Rear - 10.5"	DRK-325A	DRK-325AMK	AK21	DRK-325AAK21	DRK-325AMKAK21
Van 1 Ton	91-80	Rear - Dana 60	DRK-331	DRK-331MK			
Van 1 Ton	1988	Rear - 10.5" 1st Design	DRK-325 ⁴⁷	DRK-325MK ⁴⁷	AK21	DRK-325AK21 ⁴⁷	DRK-325MKAK21 ⁴⁷
Van 1 Ton	1988	Rear - 10.5" 2nd Design	DRK-325A	DRK-325AMK	AK21	DRK-325AAK21	DRK-325AMKAK21
Van 1 Ton	87-73	Rear - 10.5"	DRK-325 ⁴⁷	DRK-325MK ⁴⁷	AK21	DRK-325AK21 ⁴⁷	DRK-325MKAK21 ⁴⁷

CHRYSLER

300	10-05	Rear - H226 SRT-8	DRK-370	DRK-370MK			
300	71-69	Rear - 8.75" w/1.875" Pin. Shaft O.D.	DRK-301	DRK-301MK			
300	68-57	Rear - 8.75" w/1.75" Pin. Shaft O.D.	DRK-300	DRK-300MK			
Aspen	09-07	Front - 8"	DRK-305	DRK-305MK			
Aspen	09-07	Rear - 8.25"	DRK-303B	DRK-303BMK	AK26	DRK-303BAK26	DRK-303BMKAK26
Aspen	09-07	Rear - 9.25"	DRK-304A	DRK-304AMK	AK26	DRK-304AAK26	DRK-304AMKAK26
Cordoba	83-80	Rear - 7.25"	DRK-302	DRK-302MK			
Cordoba	83-75	Rear - 8.25"/8.375"	DRK-303	DRK-303MK	AK10	DRK-303AK10	DRK-303MKAK10
Cordoba	79-75	Rear - 9.25"	DRK-304	DRK-304MK	AK10	DRK-304AK10	DRK-304MKAK10
Fifth Avenue	89-83	Rear - 7.25"	DRK-302	DRK-302MK			
Fifth Avenue	89-83	Rear - 8.25"/8.375"	DRK-303	DRK-303MK	AK10	DRK-303AK10	DRK-303MKAK10
Imperial	83-81	Rear - 8.25"/8.375"	DRK-303	DRK-303MK	AK10	DRK-303AK10	DRK-303MKAK10
Imperial	75-74	Rear - 9.25"	DRK-304	DRK-304MK	AK10	DRK-304AK10	DRK-304MKAK10
Imperial	75-71	Rear - 8.25"/8.375"	DRK-303	DRK-303MK	AK10	DRK-303AK10	DRK-303MKAK10

Light Duty Differential Applications

Make/Model	Year	Position/ Ring Gear Size	Standard Kit	Master Kit	Axle Kit	Standard Kit Plus	Master Kit Plus
CHRYSLER (cont'd)							
Imperial	73-69	Rear - 8.75" w/1.875" Pin. Shaft O.D.	DRK-301	DRK-301MK			
Imperial	68-57	Rear - 8.75" w/1.75" Pin. Shaft O.D.	DRK-300	DRK-300MK			
LeBaron	81-77	Rear - 7.25"	DRK-302	DRK-302MK			
LeBaron	81-77	Rear - 8.25"/8.375"	DRK-303	DRK-303MK	AK10	DRK-303AK10	DRK-303MKAK10
New Yorker	83-82	Rear - 7.25"	DRK-302	DRK-302MK			
New Yorker	83-82	Rear - 8.25"/8.375"	DRK-303	DRK-303MK	AK10	DRK-303AK10	DRK-303MKAK10
New Yorker	81-75	Rear - 8.25"/8.375"	DRK-303	DRK-303MK	AK10	DRK-303AK10	DRK-303MKAK10
New Yorker	81-75	Rear - 9.25"	DRK-304	DRK-304MK	AK10	DRK-304AK10	DRK-304MKAK10
New Yorker	74-72	Rear - 8.25"/8.375"	DRK-303	DRK-303MK	AK10	DRK-303AK10	DRK-303MKAK10
New Yorker	74-72	Rear - 8.75" w/1.875" Pin. Shaft O.D.	DRK-301	DRK-301MK			
New Yorker	74-72	Rear - 9.25"	DRK-304	DRK-304MK	AK10	DRK-304AK10	DRK-304MKAK10
New Yorker	71-69	Rear - 8.75" w/1.875" Pin. Shaft O.D.	DRK-301	DRK-301MK			
New Yorker	68-57	Rear - 8.75" w/1.75" Pin. Shaft O.D.	DRK-300	DRK-300MK			
Newport	81-75	Rear - 8.25"/8.375"	DRK-303	DRK-303MK	AK10	DRK-303AK10	DRK-303MKAK10
Newport	81-75	Rear - 9.25"	DRK-304	DRK-304MK	AK10	DRK-304AK10	DRK-304MKAK10
Newport	74-72	Rear - 8.25"/8.375"	DRK-303	DRK-303MK	AK10	DRK-303AK10	DRK-303MKAK10
Newport	74-72	Rear - 8.75" w/1.875" Pin. Shaft O.D.	DRK-301	DRK-301MK			
Newport	71-69	Rear - 8.75" w/1.875" Pin. Shaft O.D.	DRK-301	DRK-301MK			
Newport	68-57	Rear - 8.75" w/1.75" Pin. Shaft O.D.	DRK-300	DRK-300MK			
Town & Country	81-78	Rear - 8.25"/8.375"	DRK-303	DRK-303MK	AK10	DRK-303AK10	DRK-303MKAK10
Town & Country	77-69	Rear - 8.75" w/1.875" Pin. Shaft O.D.	DRK-301	DRK-301MK			
Town & Country	68-57	Rear - 8.75" w/1.75" Pin. Shaft O.D.	DRK-300	DRK-300MK			
DODGE							
Aspen	1980	Rear - 8.25"/8.375"	DRK-303	DRK-303MK	AK10	DRK-303AK10	DRK-303MKAK10
Aspen	79-76	Rear - 7.25"	DRK-302	DRK-302MK			
Challenger	10-08	Rear - H226	DRK-370	DRK-370MK			
Challenger	74-70	Rear - 8.75" w/1.875" Pin. Shaft O.D.	DRK-301	DRK-301MK			
Challenger	71-70	Rear - 7.25"	DRK-302	DRK-302MK			
Challenger	71-70	Rear - Dana 60	DRK-331	DRK-331MK			
Charger	10-06	Rear - H226 SRT-8	DRK-370	DRK-370MK			
Charger	78-74	Rear - 8.25"/8.375"	DRK-303	DRK-303MK	AK10	DRK-303AK10	DRK-303MKAK10
Charger	78-74	Rear - 9.25"	DRK-304	DRK-304MK	AK10	DRK-304AK10	DRK-304MKAK10
Charger	1974	Rear - 8.75" w/1.875" Pin. Shaft O.D.	DRK-301	DRK-301MK			
Charger	73-69	Rear - 8.25"/8.375"	DRK-303	DRK-303MK	AK10	DRK-303AK10	DRK-303MKAK10
Charger	73-69	Rear - 8.75" w/1.875" Pin. Shaft O.D.	DRK-301	DRK-301MK			
Charger	71-69	Rear - 7.25"	DRK-302	DRK-302MK			
Charger	1968	Rear - 7.25"	DRK-302	DRK-302MK			
Charger	1968	Rear - 8.75" w/1.75" Pin. Shaft O.D.	DRK-300	DRK-300MK			
Charger	1968	Rear - Dana 60	DRK-331	DRK-331MK			

Light Duty Differential Applications

Make/Model	Year	Position/ Ring Gear Size	Standard Kit	Master Kit	Axle Kit	Standard Kit Plus	Master Kit Plus
DODGE (cont'd)							
Charger	67-66	Rear - 8.75" w/1.75" Pin. Shaft O.D.	DRK-300	DRK-300MK			
Charger	67-66	Rear - Dana 60	DRK-331	DRK-331MK			
Coronet	76-74	Rear - 8.25"/8.375"	DRK-303	DRK-303MK	AK10	DRK-303AK10	DRK-303MKAK10
Coronet	76-73	Rear - 9.25"	DRK-304	DRK-304MK	AK10	DRK-304AK10	DRK-304MKAK10
Coronet	74-73	Rear - 8.75" w/1.875" Pin. Shaft O.D.	DRK-301	DRK-301MK			
Coronet	73-69	Rear - 8.25"/8.375"	DRK-303	DRK-303MK	AK10	DRK-303AK10	DRK-303MKAK10
Coronet	72-69	Rear - 8.75" w/1.875" Pin. Shaft O.D.	DRK-301	DRK-301MK			
Coronet	71-66	Rear - 7.25"	DRK-302	DRK-302MK			
Coronet	68-66	Rear - 8.75" w/1.75" Pin. Shaft O.D.	DRK-300	DRK-300MK			
Coronet	1966	Rear - Dana 60	DRK-331	DRK-331MK			
Coronet	1965	Rear - 8.75" w/1.75" Pin. Shaft O.D.	DRK-300	DRK-300MK			
Dakota	11-00	Front - 8"	DRK-305	DRK-305MK			
Dakota	99-97	Front - Dana 35	DRK-335	DRK-335MK ▲			
Dakota	96-87	Front - 7.25"	DRK-302	DRK-302MK			
Dakota	11-01	Rear - 9.25"	DRK-304A	DRK-304AMK	AK10	DRK-304AAK10	DRK-304AMKAK10
Dakota	11-00	Rear - 8.25"	DRK-303B	DRK-303BMK	AK10	DRK-303BAK10	DRK-303BMKAK10
Dakota	00-98	Rear - 9.25"	DRK-304	DRK-304MK	AK10	DRK-304AK10	DRK-304MKAK10
Dakota	99-87	Rear - 8.25"	DRK-303	DRK-303MK	AK10	DRK-303AK10	DRK-303MKAK10
Dakota	96-87	Rear - 7.25"	DRK-302	DRK-302MK	AK10	DRK-302AK10	DRK-302MKAK10
Dart	76-73	Rear - 8.25"/8.375"	DRK-303	DRK-303MK	AK10	DRK-303AK10	DRK-303MKAK10
Dart	1972	Rear - 7.25"	DRK-302	DRK-302MK			
Dart	1972	Rear - 8.25"/8.375"	DRK-303	DRK-303MK	AK10	DRK-303AK10	DRK-303MKAK10
Dart	1972	Rear - 8.75" w/1.875" Pin. Shaft O.D.	DRK-301	DRK-301MK			
Dart	71-69	Rear - 7.25"	DRK-302	DRK-302MK			
Dart	71-69	Rear - 8.75" w/1.875" Pin. Shaft O.D.	DRK-301	DRK-301MK			
Dart	68-66	Rear - 7.25"	DRK-302	DRK-302MK			
Dart	68-66	Rear - 8.75" w/1.75" Pin. Shaft O.D.	DRK-300	DRK-300MK			
Dart	65-63	Rear - 7.25"	DRK-302	DRK-302MK			
Diplomat	89-77	Rear - 7.25"	DRK-302	DRK-302MK			
Diplomat	89-77	Rear - 8.25"/8.375"	DRK-303	DRK-303MK	AK10	DRK-303AK10	DRK-303MKAK10
Durango	09-00	Front - 8"	DRK-305	DRK-305MK			
Durango	99-98	Front - Dana 35	DRK-335	DRK-335MK ▲			
Durango	09-04	Rear - 8.25"	DRK-303B	DRK-303BMK	AK26	DRK-303BAK26	DRK-303BMKAK26
Durango	09-04	Rear - 9.25"	DRK-304A	DRK-304AMK	AK26	DRK-304AAK26	DRK-304AMKAK26
Durango	03-01	Rear - 9.25"	DRK-304A	DRK-304AMK	AK10	DRK-304AAK10	DRK-304AMKAK10
Durango	03-00	Rear - 8.25"	DRK-303B	DRK-303BMK	AK10	DRK-303BAK10	DRK-303BMKAK10
Durango	00-98	Rear - 9.25"	DRK-304	DRK-304MK	AK10	DRK-304AK10	DRK-304MKAK10
Durango	99-98	Rear - 8.25"	DRK-303	DRK-303MK	AK10	DRK-303AK10	DRK-303MKAK10
Magnum	08-05	Rear - H226 SRT-8	DRK-370	DRK-370MK			
Magnum	79-78	Rear - 8.25"/8.375"	DRK-303	DRK-303MK	AK10	DRK-303AK10	DRK-303MKAK10
Magnum	79-78	Rear - 9.25"	DRK-304	DRK-304MK	AK10	DRK-304AK10	DRK-304MKAK10
Mirada	83-80	Rear - 7.25"	DRK-302	DRK-302MK			
Mirada	83-80	Rear - 8.25"/8.375"	DRK-303	DRK-303MK	AK10	DRK-303AK10	DRK-303MKAK10
Monaco	78-74	Rear - 9.25"	DRK-304	DRK-304MK	AK10	DRK-304AK10	DRK-304MKAK10
Monaco	78-71	Rear - 8.25"/8.375"	DRK-303	DRK-303MK	AK10	DRK-303AK10	DRK-303MKAK10
Monaco	73-69	Rear - 8.75" w/1.875" Pin. Shaft O.D.	DRK-301	DRK-301MK			
Monaco	68-67	Rear - 9.25"	DRK-304	DRK-304MK	AK10	DRK-304AK10	DRK-304MKAK10

LD Differential

Light Duty Differential Applications

Make/Model	Year	Position/ Ring Gear Size	Standard Kit	Master Kit	Axle Kit	Standard Kit Plus	Master Kit Plus
DODGE (cont'd)							
Monaco	68-65	Rear - 8.75" w/1.75" Pin. Shaft O.D.	DRK-300	DRK-300MK			
Nitro	11-07	Front - Dana 30	DRK-340	DRK-340MK ▲			
Nitro	11-09	Rear - 8.25"	DRK-303B	DRK-303BMK	AK26	DRK-303BAK26	DRK-303BMKAK26
Nitro	08-07	Rear - 8.25"	DRK-303B	DRK-303BMK	AK10	DRK-303BAK10	DRK-303BMKAK10
Polara	73-71	Rear - 8.25"/8.375"	DRK-303	DRK-303MK	AK10	DRK-303AK10	DRK-303MKAK10
Polara	73-69	Rear - 8.75" w/1.875" Pin. Shaft O.D.	DRK-301	DRK-301MK			
Polara	68-67	Rear - 9.25"	DRK-304	DRK-304MK	AK10	DRK-304AK10	DRK-304MKAK10
Polara	68-63	Rear - 8.75" w/1.75" Pin. Shaft O.D.	DRK-300	DRK-300MK			
Ramcharger	93-74	Front - Dana 44	DRK-339B	DRK-339BMK			
Ramcharger	93-74	Rear - 9.25"	DRK-304	DRK-304MK	AK10	DRK-304AK10	DRK-304MKAK10
Sprinter 2500	12-07	Rear - All	DRK-307A	DRK-307AMK ▲			
Sprinter 2500	06-04	Rear - All From March 2004 Production	DRK-307	DRK-307MK ▲			
Sprinter 2500	2004	Rear - All Up to Feb 2004 Production Date	DRK-307B	DRK-307BMK ▲			
Sprinter 2500	2003	Rear - All	DRK-307B	DRK-307BMK ▲			
Sprinter 3500	12-07	Rear - All	DRK-307A	DRK-307AMK ▲			
Sprinter 3500	06-04	Rear - From March 2004 Production Date	DRK-307	DRK-307MK ▲			
Sprinter 3500	2004	Rear - All Up to Feb 2004 Production Date	DRK-307B	DRK-307BMK ▲			
Sprinter 3500	2003	Rear - All	DRK-307B	DRK-307BMK ▲			
St. Regis	81-79	Rear - 7.25"	DRK-302	DRK-302MK			
St. Regis	81-79	Rear - 8.25"/8.375"	DRK-303	DRK-303MK	AK10	DRK-303AK10	DRK-303MKAK10
St. Regis	81-79	Rear - 9.25"	DRK-304	DRK-304MK	AK10	DRK-304AK10	DRK-304MKAK10
Truck 1/2 Ton	10-06	Front - 8"	DRK-305A	DRK-305AMK ▲	AK100	DRK-305AAK100	DRK-305AMKAK100 ▲
Truck 1/2 Ton	08-94	Front - Dana 44	DRK-339C	DRK-339CMK			
Truck 1/2 Ton	05-04	Front - 8"	DRK-305A	DRK-305AMK ▲	AK99	DRK-305AAK99	DRK-305AMKAK99 ▲
Truck 1/2 Ton	03-02	Front - 8"	DRK-305B	DRK-305BMK ▲	AK99	DRK-305BAK99	DRK-305BMKAK99 ▲
Truck 1/2 Ton	93-69	Front - Dana 44	DRK-339B	DRK-339BMK			
Truck 1/2 Ton	10-07	Rear - 9.25" Corporate Axle w/ 5 Lugs	DRK-304A	DRK-304AMK	AK26	DRK-304AAK26	DRK-304AMKAK26
Truck 1/2 Ton	10-07	Rear - 9.25" Corporate Axle w/ 8 Lugs	DRK-304A	DRK-304AMK	AK22	DRK-304AAK22	DRK-304AMKAK22
Truck 1/2 Ton	10-06	Rear - 11.5"	DRK-327	DRK-327MK	AK30	DRK-327AK30	DRK-327MKAK30
Truck 1/2 Ton	09-06	Rear - 10.5"	DRK-306	DRK-306MK	AK30	DRK-306AK30	DRK-306MKAK30
Truck 1/2 Ton	06-01	Rear - 9.25" Light Duty Axle w/ 5 Lugs	DRK-304A	DRK-304AMK	AK10	DRK-304AAK10	DRK-304AMKAK10
Truck 1/2 Ton	06-01	Rear - 9.25" Heavy Duty Axle w/ 8 Lugs	DRK-304A	DRK-304AMK	AK22	DRK-304AAK22	DRK-304AMKAK22
Truck 1/2 Ton	06-00	Rear - 8.25"	DRK-303B	DRK-303BMK	AK10	DRK-303BAK10	DRK-303BMKAK10
Truck 1/2 Ton	00-74	Rear - 9.25" Light Duty Axle w/ 5 Lugs	DRK-304	DRK-304MK	AK10	DRK-304AK10	DRK-304MKAK10
Truck 1/2 Ton	00-74	Rear - 9.25" Heavy Duty Axle w/ 8 Lugs	DRK-304	DRK-304MK	AK22	DRK-304AK22	DRK-304MKAK22
Truck 1/2 Ton	99-69	Rear - 8.25"	DRK-303	DRK-303MK	AK10	DRK-303AK10	DRK-303MKAK10
Truck 1/2 Ton	74-68	Rear - 8.75" w/1.875" Pin. Shaft O.D.	DRK-301	DRK-301MK			
Truck 1/2 Ton	68-60	Rear - 8.75" w/1.75" Pin. Shaft O.D.	DRK-300	DRK-300MK			
Truck 3/4 Ton	10-03	Front - 9.25" AAM axle	DRK-324G	DRK-324GMK ▲	AK57	DRK-324GAK57	DRK-324GMKAK57 ▲
Truck 3/4 Ton	08-94	Front - Dana 44	DRK-339C	DRK-339CMK			

▲ Add "S" suffix to kit number to receive stackable differential shims in kit.

Light Duty Differential Applications



Make/Model	Year	Position/ Ring Gear Size	Standard Kit	Master Kit	Axle Kit	Standard Kit Plus	Master Kit Plus
DODGE (cont'd)							
Truck 3/4 Ton	08-94	Front - Dana 60	DRK-331	DRK-331MK			
Truck 3/4 Ton	93-75	Front - Dana 60	DRK-331	DRK-331MK	AK42	DRK-331AK42	DRK-331MKAK42
Truck 3/4 Ton	84-69	Front - Dana 44	DRK-339B	DRK-339BMK			
Truck 3/4 Ton	10-03	Rear - 10.5"	DRK-306	DRK-306MK	AK30	DRK-306AK30	DRK-306MKAK30
Truck 3/4 Ton	10-03	Rear - 11.5"	DRK-327	DRK-327MK	AK30	DRK-327AK30	DRK-327MKAK30
Truck 3/4 Ton	10-01	Rear - 9.25" Light Duty Axle w/ 5 Lugs	DRK-304A	DRK-304AMK	AK10	DRK-304AAK10	DRK-304AMKAK10
Truck 3/4 Ton	10-01	Rear - 9.25" Heavy Duty Axle w/ 8 Lugs	DRK-304A	DRK-304AMK	AK22	DRK-304AAK22	DRK-304AMKAK22
Truck 3/4 Ton	08-03	Rear - Dana 60	DRK-331A	DRK-331AMK	AK30	DRK-331AAK30	DRK-331AMKAK30
Truck 3/4 Ton	08-94	Rear - Dana 70U	DRK-332U	DRK-332UMK	AK6	DRK-332UAK6	DRK-332UMKAK6
Truck 3/4 Ton	02-94	Rear - Dana 60	DRK-331A	DRK-331AMK	AK6	DRK-331AAK6	DRK-331AMKAK6
Truck 3/4 Ton	02-94	Rear - Dana 80	DRK-337	DRK-337MK			
Truck 3/4 Ton	00-74	Rear - 9.25" Light Duty Axle w/ 5 Lugs	DRK-304	DRK-304MK	AK10	DRK-304AK10	DRK-304MKAK10
Truck 3/4 Ton	00-74	Rear - 9.25" Heavy Duty Axle w/ 8 Lugs	DRK-304	DRK-304MK	AK22	DRK-304AK22	DRK-304MKAK22
Truck 3/4 Ton	93-61	Rear - Dana 60	DRK-331	DRK-331MK			
Truck 3/4 Ton	74-69	Rear - 8.75" w/1.875" Pin. Shaft O.D.	DRK-301	DRK-301MK			
Truck 3/4 Ton	68-65	Rear - 8.75" w/1.75" Pin. Shaft O.D.	DRK-300	DRK-300MK			
Truck 1 Ton	10-03	Front - 9.25" AAM axle	DRK-324G	DRK-324GMK ▲	AK57	DRK-324GAK57	DRK-324GMKAK57 ▲
Truck 1 Ton	02-94	Front - Dana 60	DRK-331	DRK-331MK			
Truck 1 Ton	93-75	Front - Dana 60	DRK-331	DRK-331MK	AK42	DRK-331AK42	DRK-331MKAK42
Truck 1 Ton	10-03	Rear - 11.5"	DRK-327	DRK-327MK	AK30 ⁴⁹	DRK-327AK30 ⁴⁹	DRK-327MKAK30 ⁴⁹
Truck 1 Ton	10-03	Rear - 11.5"	DRK-327	DRK-327MK	AK13 ⁴⁸	DRK-327AK13 ⁴⁸	DRK-327MKAK13 ⁴⁸
Truck 1 Ton	02-94	Rear - Dana 80	DRK-337	DRK-337MK			
Truck 1 Ton	02-60	Rear - Dana 60	DRK-331	DRK-331MK			
Truck 1 Ton	00-74	Rear - 9.25" Light Duty Axle w/ 5 Lugs	DRK-304	DRK-304MK	AK10	DRK-304AK10	DRK-304MKAK10
Truck 1 Ton	00-74	Rear - 9.25" Heavy Duty Axle w/ 8 Lugs	DRK-304	DRK-304MK	AK22	DRK-304AK22	DRK-304MKAK22
Truck 1 Ton	93-84	Rear - Dana 70U	DRK-332U	DRK-332UMK			
Truck 1 Ton	84-60	Rear - Dana 70	DRK-332	DRK-332MK			
Ram 4500	10-08	Front - Magna Steyr 275mm	DRK-365				
Ram 4500	10-08	Rear - Dana S110/S111	DRK-434				
Ram 5500	10-08	Front - Magna Steyr 275mm	DRK-365				
Ram 5500	10-08	Rear - Dana S110/S111	DRK-434				
Van 1/2 Ton	03-00	Rear - 8.25"	DRK-303B	DRK-303BMK	AK10	DRK-303BAK10	DRK-303BMKAK10
Van 1/2 Ton	03-00	Rear - 9.25"	DRK-304A	DRK-304AMK	AK10	DRK-304AK10	DRK-304MKAK10
Van 1/2 Ton	99-74	Rear - 9.25"	DRK-304	DRK-304MK	AK10	DRK-304AK10	DRK-304MKAK10
Van 1/2 Ton	99-71	Rear - 8.25"	DRK-303	DRK-303MK	AK10	DRK-303AK10	DRK-303MKAK10
Van 1/2 Ton	74-64	Rear - 8.75"	DRK-301	DRK-301MK			
Van 3/4 Ton	03-00	Rear - 9.25"	DRK-304A	DRK-304AMK	AK10	DRK-304AK10	DRK-304MKAK10
Van 3/4 Ton	03-98	Rear - Dana 60	DRK-331A	DRK-331AMK			
Van 3/4 Ton	99-90	Rear - 8.25"	DRK-303	DRK-303MK	AK10	DRK-303AK10	DRK-303MKAK10
Van 3/4 Ton	99-74	Rear - 9.25"	DRK-304	DRK-304MK	AK10	DRK-304AK10	DRK-304MKAK10
Van 3/4 Ton	74-71	Rear - 8.75"	DRK-301	DRK-301MK			
Van 1 Ton	08-71	Rear - Dana 60	DRK-331	DRK-331MK			
Van 1 Ton	03-00	Rear - 9.25"	DRK-304A	DRK-304AMK	AK10	DRK-304AK10	DRK-304MKAK10
Van 1 Ton	99-74	Rear - 9.25"	DRK-304	DRK-304MK	AK10	DRK-304AK10	DRK-304MKAK10
Viper	00-93	Rear - Dana 44	DRK-339A	DRK-339AMK ▲			

LD Differential

Light Duty Differential Applications

Make/Model	Year	Position/ Ring Gear Size	Standard Kit	Master Kit	Axle Kit	Standard Kit Plus	Master Kit Plus
FORD							
Aerostar	97-90	Front - Dana 28	DRK-333	DRK-333MK			
Aerostar	97-90	Rear - 7.5"	DRK-315	DRK-315MK ▲	AK11	DRK-315AK11	DRK-315MKAK11 ▲
Aerostar	97-90	Rear - 8.8"	DRK-311	DRK-311MK ▲	AK10	DRK-311AK10	DRK-311MKAK10 ▲
Aerostar	89-86	Rear - Dana 30, To 1989-1/2 Model	DRK-339	DRK-339MK ▲			
Bronco	96-80	Front - Dana 44	DRK-339B	DRK-339BMK	AK41	DRK-339BAK41	DRK-339BMKAK41
Bronco	79-67	Front - Dana 44	DRK-339B	DRK-339BMK			
Bronco	96-83	Rear - 8.8"	DRK-311	DRK-311MK ▲	AK10	DRK-311AK10	DRK-311MKAK10 ▲
Bronco	86-70	Rear - 9" 31 spline From 05/11/70	DRK-313	DRK-313MK			
Bronco	70-67	Rear - 9" 28 spline To 5/10/70	DRK-312	DRK-312MK			
Bronco II	1990	Front - Dana 35	DRK-335	DRK-335MK ▲			
Bronco II	89-84	Front - Dana 28	DRK-333	DRK-333MK			
Bronco II	90-84	Rear - 7.5"	DRK-315	DRK-315MK ▲	AK11	DRK-315AK11	DRK-315MKAK11 ▲
Country Squire	91-81	Rear - 8.8"	DRK-311	DRK-311MK ▲	AK11	DRK-311AK11	DRK-311MKAK11 ▲
Country Squire	80-73	Rear - 9" 31 spline From 05/11/70	DRK-313	DRK-313MK			
Crown Victoria	11-03	Rear - 8.8"	DRK-311	DRK-311MK ▲	AK101	DRK-311AK101	DRK-311MKAK101 ▲
Crown Victoria	02-92	Rear - 8.8"	DRK-311	DRK-311MK ▲	AK11	DRK-311AK11	DRK-311MKAK11 ▲
Escape	12-01	Rear - Dana 28	DRK-333A ¹¹⁰	DRK-333AMK ¹¹⁰	AK89	DRK-333AAK89 ¹¹⁰	DRK-333AMKAK89 ¹¹⁰
Excursion	05-00	Front - Dana 50	DRK-336A	DRK-336AMK			
Excursion	05-00	Rear - 10.5"	DRK-317 ⁵⁰	DRK-317MK ⁵⁰ ▲			
Expedition	18-09	Front - 8.8"	DRK-311	DRK-311MK ▲	AK91	DRK-311AK91	DRK-311MKAK91 ▲
Expedition	08-97	Front - 8.8"	DRK-311	DRK-311MK ▲	AK88	DRK-311AK88	DRK-311MKAK88 ▲
Expedition	18-15	Rear - 9.75"	DRK-316E	DRK-316EMK ▲	AK36	DRK-316EAK36	DRK-316EMKAK36 ▲
Expedition	14-11	Rear - 9.75" from 04/30/2011	DRK-316D	DRK-316DMK ▲	AK36	DRK-316DAK36	DRK-316DMKAK36 ▲
Expedition	11-07	Rear - 9.75" To 04/29/2011	DRK-316B	DRK-316BMK ▲	AK36	DRK-316BAK36	DRK-316BMKAK36 ▲
Expedition	06-03	Rear - 9.75"	DRK-316A	DRK-316AMK ▲	AK36	DRK-316AAK36	DRK-316AMKAK36 ▲
Expedition	05-03	Rear - 8.8" IRS	DRK-311	DRK-311MK ▲	AK36	DRK-311AK36	DRK-311MKAK36 ▲
Expedition	02-00	Rear - 9.75"	DRK-316A	DRK-316AMK ▲	AK15	DRK-316AAK15	DRK-316AMKAK15 ▲
Expedition	02-97	Rear - 8.8"	DRK-311	DRK-311MK ▲	AK15	DRK-311AK15	DRK-311MKAK15 ▲
Expedition	1999	Rear - 9.75" w/ 2.68" Pinion Brg.	DRK-316	DRK-316MK ▲	AK15	DRK-316AK15	DRK-316MKAK15 ▲
Expedition	1999	Rear - 9.75" w/ 3.00" Pinion Brg.	DRK-316A	DRK-316AMK ▲	AK15	DRK-316AAK15	DRK-316AMKAK15 ▲
Expedition	98-97	Rear - 9.75"	DRK-316	DRK-316MK ▲	AK15	DRK-316AK15	DRK-316MKAK15 ▲
Explorer	10-06	Front - Dana 30	DRK-334E	DRK-334EMK ▲	AK93	DRK-334EAK93	DRK-334EMKAK93
Explorer	05-01	Front - Dana 30	DRK-334B	DRK-334BMK	AK93	DRK-334BAK93	DRK-334BMKAK93
Explorer	04-95	Front - Dana 35	DRK-335B	DRK-335BMK ▲			
Explorer	94-91	Front - Dana 35	DRK-335	DRK-335MK ▲	AK98		
Explorer	10-08	Rear - 8.8" IRS	DRK-311L	DRK-311LMK ▲	AK36	DRK-311LAK36	DRK-311LMKAK36 ▲
Explorer	07-06	Rear - 8.8" IRS	DRK-311K	DRK-311KMK ▲	AK36	DRK-311KAK36	DRK-311KMKAK36 ▲
Explorer	05-02	Rear - 8.8" IRS	DRK-311	DRK-311MK ▲	AK36	DRK-311AK36	DRK-311MKAK36 ▲
Explorer	01-91	Rear - 8.8"	DRK-311	DRK-311MK ▲	AK10	DRK-311AK10	DRK-311MKAK10 ▲
Explorer	97-91	Rear - 7.5"	DRK-315	DRK-315MK ▲	AK10	DRK-315AK10	DRK-315MKAK10 ▲
Explorer Sport Trac	10-07	Front - Dana 30	DRK-334E	DRK-334EMK ▲	AK93	DRK-334EAK93	DRK-334EMKAK93
Explorer Sport Trac	06-01	Front - Dana 35	DRK-335B	DRK-335BMK ▲	AK93		
Explorer Sport Trac	10-08	Rear - 8.8" IRS	DRK-311L	DRK-311LMK ▲	AK36	DRK-311LAK36	DRK-311LMKAK36 ▲
Explorer Sport Trac	2007	Rear - 8.8" IRS	DRK-311K	DRK-311KMK ▲	AK36	DRK-311KAK36	DRK-311KMKAK36 ▲
Explorer Sport Trac	05-01	Rear - 8.8"	DRK-311	DRK-311MK ▲	AK10	DRK-311AK10	DRK-311MKAK10 ▲
Fairlane	1970	Rear - 9" 31 spline From 05/11/70	DRK-313	DRK-313MK			

LD Differential

⁵⁰For use with OEM 10.5" R/P only-use kit DRK-314AMK if using aftermarket 10.25" R/P ¹¹⁰Original Pinion Nut Must be Re-used

▲ Add "S" suffix to kit number to receive stackable differential shims in kit.

Light Duty Differential Applications

Make/Model	Year	Position/ Ring Gear Size	Standard Kit	Master Kit	Axle Kit	Standard Kit Plus	Master Kit Plus
FORD (cont'd)							
Fairlane	70-62	Rear - 8"	DRK-310	DRK-310MK			
Fairlane	70-62	Rear - 9" 28 spline To 5/10/70	DRK-312	DRK-312MK			
Fairmont	83-78	Rear - 7.5"	DRK-315	DRK-315MK	▲ AK11	DRK-315AK11	DRK-315MKAK11 ▲
Falcon	70-62	Rear - 8"	DRK-310	DRK-310MK			
Granada	82-81	Rear - 7.5"	DRK-315	DRK-315MK	▲ AK11	DRK-315AK11	DRK-315MKAK11 ▲
Granada	80-75	Rear - 8"	DRK-310	DRK-310MK			
Granada	80-75	Rear - 9"	DRK-313	DRK-313MK	AK11	DRK-313AK11	DRK-313MKAK11
LTD	86-83	Rear - 7.5"	DRK-315	DRK-315MK	▲ AK11	DRK-315AK11	DRK-315MKAK11 ▲
LTD	82-81	Rear - 8.8"	DRK-311	DRK-311MK	▲ AK11	DRK-311AK11	DRK-311MKAK11 ▲
LTD	80-73	Rear - 9" 31 spline From 05/11/70	DRK-313	DRK-313MK	AK11	DRK-313AK11	DRK-313MKAK11
LTD II	79-77	Rear - 9"	DRK-313	DRK-313MK			
LTD Crown Victoria	91-87	Rear - 8.8"	DRK-311	DRK-311MK	▲ AK11	DRK-311AK11	DRK-311MKAK11 ▲
Maverick	77-71	Rear - 8"	DRK-310	DRK-310MK			
Mustang	18-15	Rear - 8.8" IRS w/ 3.15, 3.31, 3.55 ratios	DRK-311S	DRK-311SMK	▲ AK36	DRK-311SAK36	DRK-311SMKAK36 ▲
Mustang	18-15	Rear - 8.8" IRS w/ 3.73 ratio	DRK-311Q	DRK-311QMK	▲ AK36	DRK-311QAK36	DRK-311QMKAK36 ▲
Mustang	14-05	Rear - 8.8"	DRK-311E	DRK-311EMK	▲ AK10	DRK-311EAK10	DRK-311EMKAK10 ▲
Mustang	10-79	Rear - 7.5"	DRK-315	DRK-315MK	▲ AK11	DRK-315AK11	DRK-315MKAK11 ▲
Mustang	04-86	Rear - 8.8"	DRK-311	DRK-311MK	▲ AK11	DRK-311AK11	DRK-311MKAK11 ▲
Mustang	78-64	Rear - 8"	DRK-310	DRK-310MK			
Mustang	73-70	Rear - 9" 31 spline From 05/11/70	DRK-313	DRK-313MK			
Mustang	70-65	Rear - 9" 28 spline To 5/10/70	DRK-312	DRK-312MK			
Pinto	80-71	Rear - 8"	DRK-310	DRK-310MK			
Ranger	11-98	Front - Dana 35	DRK-335B	DRK-335BMK	▲		
Ranger	97-90	Front - Dana 35 W/4.0L V-6 Engine	DRK-335	DRK-335MK	▲ AK98		
Ranger	97-83	Front - Dana 28	DRK-333	DRK-333MK	AK97		
Ranger	20-19	Rear - 220MM	DRK-368	DRK-368MK	AK58	DRK-368AK58	DRK-368MKAK58
Ranger	11-10	Rear - 7.5"	DRK-315	DRK-315MK	▲ AK10	DRK-315AK10	DRK-315MKAK10 ▲
Ranger	11-07	Rear - 8.8" W/4.0L V-6 Engine	DRK-311G	DRK-311GMK	▲ AK10	DRK-311GAK10	DRK-311GMKAK10 ▲
Ranger	09-83	Rear - 7.5"	DRK-315	DRK-315MK	▲ AK11	DRK-315AK11	DRK-315MKAK11 ▲
Ranger	06-90	Rear - 8.8" W/4.0L V-6 Engine	DRK-311	DRK-311MK	▲ AK10	DRK-311AK10	DRK-311MKAK10 ▲
Thunderbird	05-02	Rear - 8.0"	DRK-311N	DRK-311NMK	▲ AK90	DRK-311NAK90	DRK-311NMKAK90 ▲
Thunderbird	97-89	Rear - 7.5"	DRK-315	DRK-315MK	▲		
Thunderbird	97-89	Rear - 8.8"	DRK-311	DRK-311MK	▲ AK90	DRK-311AK90	DRK-311MKAK90 ▲
Thunderbird	1988	Rear - 8.8"	DRK-311	DRK-311MK	▲ AK11	DRK-311AK11	DRK-311MKAK11 ▲
Thunderbird	88-80	Rear - 7.5"	DRK-315	DRK-315MK	▲ AK11	DRK-315AK11	DRK-315MKAK11 ▲
Thunderbird	79-70	Rear - 9" 31 spline From 05/11/70	DRK-313	DRK-313MK			
Thunderbird	70-57	Rear - 9" 28 spline To 5/10/70	DRK-312	DRK-312MK			
Torino	76-68	Rear - 9"	DRK-313	DRK-313MK			
Torino	74-71	Rear - 8"	DRK-310	DRK-310MK			
Transit 150	18-15	Rear - 9.75"	DRK-316E	DRK-316EMK	▲ AK46 ⁴⁹	DRK-316EAK46	DRK-316EMKAK46 ▲
Transit 250	18-15	Rear - 9.75"	DRK-316E	DRK-316EMK	▲ AK46 ⁴⁹	DRK-316EAK46	DRK-316EMKAK46 ▲
Transit 350	18-15	Rear - 9.75"	DRK-316E	DRK-316EMK	▲ AK46 ⁴⁹	DRK-316EAK46	DRK-316EMKAK46 ▲
Transit 350 HD	18-15	Rear - 9.75"	DRK-316E	DRK-316EMK	▲ AK46 ⁴⁹	DRK-316EAK46	DRK-316EMKAK46 ▲
Truck 1/2 Ton	18-09	Front - 8.8"	DRK-311	DRK-311MK	▲ AK91	DRK-311AK91	DRK-311MKAK91 ▲

LD Differential

Light Duty Differential Applications

Make/Model	Year	Position/ Ring Gear Size	Standard Kit	Master Kit	Axle Kit	Standard Kit Plus	Master Kit Plus
FORD (cont'd)							
Truck 1/2 Ton	08-97	Front - 8.8"	DRK-311	DRK-311MK ▲	AK88	DRK-311AK88	DRK-311MKAK88 ▲
Truck 1/2 Ton	96-92	Front - Dana 44 w/2.84" Pinion Brg.	DRK-339D	DRK-339DMK	AK41	DRK-339DAK41	DRK-339DMKAK41
Truck 1/2 Ton	92-83	Front - Dana 44 w/3.00" Pinion Brg.	DRK-339B	DRK-339BMK	AK41	DRK-339BAK41	DRK-339BMKAK41
Truck 1/2 Ton	82-67	Front - Dana 44 w/3.00" Pinion Brg.	DRK-339B	DRK-339BMK			
Truck 1/2 Ton	19-15	Rear - 8.8" HD	DRK-311Q	DRK-311QMK ▲	AK15	DRK-311QAK15	DRK-311QMKAK15
Truck 1/2 Ton	18-15	Rear - 9.75"	DRK-316E	DRK-316EMK ▲	AK15	DRK-316EAK15	DRK-316EMKAK15
Truck 1/2 Ton	14-12	Rear - 9.75"	DRK-316C	DRK-316CMK ▲	AK15	DRK-316CAK15	DRK-316CMKAK15 ▲
Truck 1/2 Ton	14-11	Rear - 8.8"	DRK-311L	DRK-311LMK ▲	AK15	DRK-311LAK15	DRK-311LMKAK15 ▲
Truck 1/2 Ton	2011	Rear - 9.75" From 12/20/10	DRK-316C	DRK-316CMK ▲	AK15	DRK-316CAK15	DRK-316CMKAK15 ▲
Truck 1/2 Ton	2011	Rear - 9.75" To 12/19/2010	DRK-316B	DRK-316BMK ▲	AK15	DRK-316BAK15	DRK-316BMKAK15 ▲
Truck 1/2 Ton	10-09	Rear - 8.8"	DRK-311L	DRK-311LMK ▲	AK15	DRK-311LAK15	DRK-311LMKAK15 ▲
Truck 1/2 Ton	10-08	Rear - 10.5"	DRK-317A ⁵⁰	DRK-317AMK ⁵⁰ ▲	AK48	DRK-317AAK48 ⁵⁰	DRK-317AMKAK48 ⁵⁰ ▲
Truck 1/2 Ton	10-07	Rear - 9.75"	DRK-316B	DRK-316BMK ▲	AK15	DRK-316BAK15	DRK-316BMKAK15 ▲
Truck 1/2 Ton	08-07	Rear - 8.8"	DRK-311G	DRK-311GMK ▲	AK15	DRK-311GAK15	DRK-311GMKAK15 ▲
Truck 1/2 Ton	07-04	Rear - 10.5"	DRK-317 ⁵⁰	DRK-317MK ⁵⁰ ▲	AK48	DRK-317AK48 ⁵⁰	DRK-317MKAK48 ▲
Truck 1/2 Ton	06-04	Rear - 8.8"	DRK-311	DRK-311MK ▲	AK15	DRK-311AK15	DRK-311MKAK15 ▲
Truck 1/2 Ton	06-00	Rear - 9.75"	DRK-316A	DRK-316AMK ▲	AK15	DRK-316AAK15	DRK-316AMKAK15 ▲
Truck 1/2 Ton	03-00	Rear - 8.8"	DRK-311	DRK-311MK ▲	AK10	DRK-311AK10	DRK-311MKAK10 ▲
Truck 1/2 Ton	1999	Rear - 9.75" w/ 2.68" Pinion Brg.	DRK-316	DRK-316MK ▲	AK15	DRK-316AK15	DRK-316MKAK15 ▲
Truck 1/2 Ton	1999	Rear - 9.75" w/ 3.00" Pinion Brg.	DRK-316A	DRK-316AMK ▲	AK15	DRK-316AAK15	DRK-316AMKAK15 ▲
Truck 1/2 Ton	99-97	Rear - 8.8"	DRK-311	DRK-311MK ▲	AK10	DRK-311AK10	DRK-311MKAK10 ▲
Truck 1/2 Ton	98-97	Rear - 9.75"	DRK-316	DRK-316MK ▲	AK15	DRK-316AK15	DRK-316MKAK15 ▲
Truck 1/2 Ton	96-83	Rear - 8.8"	DRK-311	DRK-311MK ▲	AK10	DRK-311AK10	DRK-311MKAK10 ▲
Truck 1/2 Ton	86-71	Rear - 9" 31 spline	DRK-313	DRK-313MK			
Truck 1/2 Ton	79-70	Rear - Dana 44	DRK-339B	DRK-339BMK			
Truck 1/2 Ton	1970	Rear - 9" 28 spline To 5/10/70	DRK-312	DRK-312MK			
Truck 1/2 Ton	1970	Rear - 9" 31 spline From 05/11/70	DRK-313	DRK-313MK			
Truck 1/2 Ton	69-67	Rear - Dana 44	DRK-339B	DRK-339BMK			
Truck 1/2 Ton	69-57	Rear - 9" 28 spline	DRK-312	DRK-312MK			
Truck 3/4 Ton	19-17	Front - Dana 60	DRK-331F	DRK-331FMK			
Truck 3/4 Ton	16-99	Front - Dana 60	DRK-331A	DRK-331AMK			
Truck 3/4 Ton	02-99	Front - Dana 50	DRK-336A	DRK-336AMK	AK94	DRK-336AAK94	DRK-336AMKAK94
Truck 3/4 Ton	98-80	Front - Dana 50	DRK-336A	DRK-336AMK	AK41	DRK-336AAK41	DRK-336AMKAK41
Truck 3/4 Ton	88-67	Front - Dana 44	DRK-339B	DRK-339BMK			
Truck 3/4 Ton	79-73	Front - Dana 60	DRK-331	DRK-331MK			
Truck 3/4 Ton	19-17	Rear - Dana M275	DRK-331D	DRK-331DMK			
Truck 3/4 Ton	19-11	Rear - 10.5"	DRK-317B	DRK-317BMK ▲	AK48	DRK-317BAK48	DRK-317BMKAK48 ▲
Truck 3/4 Ton	10-08	Rear - 10.5"	DRK-317A ⁵⁰	DRK-317AMK ⁵⁰ ▲	AK48	DRK-317AAK48 ⁵⁰	DRK-317AMKAK48 ⁵⁰ ▲
Truck 3/4 Ton	08-98	Rear - Dana 60/61	DRK-331B	DRK-331BMK			
Truck 3/4 Ton	07-99	Rear - 10.5"	DRK-317 ⁵⁰	DRK-317MK ⁵⁰ ▲	AK48	DRK-317AK48	DRK-317MKAK48 ▲
Truck 3/4 Ton	99-85	Rear - 10.25"	DRK-314	DRK-314MK ▲	AK22	DRK-314AK22	DRK-314MKAK22 ▲
Truck 3/4 Ton	97-54	Rear - Dana 60/61	DRK-331	DRK-331MK			
Truck 3/4 Ton	89-83	Rear - 8.8"	DRK-311	DRK-311MK ▲	AK10	DRK-311AK10	DRK-311MKAK10 ▲
Truck 3/4 Ton	85-83	Rear - Dana 70U	DRK-332U	DRK-332UMK	AK23	DRK-332UAK23	DRK-332UMKAK23
Truck 3/4 Ton	85-80	Rear - Dana 60/61	DRK-331	DRK-331MK	AK22	DRK-331AK22	DRK-331MKAK22

⁵⁰For use with OEM 10.5" R/P only-use kit DRK-314AMK if using aftermarket 10.25" R/P

▲ Add "S" suffix to kit number to receive stackable differential shims in kit.

Light Duty Differential Applications

Make/Model	Year	Position/ Ring Gear Size	Standard Kit	Master Kit	Axle Kit	Standard Kit Plus	Master Kit Plus
FORD (cont'd)							
Truck 3/4 Ton	74-70	Rear - 9" 31 spline From 05/11/70	DRK-313	DRK-313MK			
Truck 3/4 Ton	70-69	Rear - 9" 28 spline To 5/10/70	DRK-312	DRK-312MK			
Truck 1 Ton	19-17	Front - Dana 60	DRK-331F	DRK-331FMK			
Truck 1 Ton	16-99	Front - Dana 60	DRK-331A	DRK-331AMK			
Truck 1 Ton	02-99	Front - Dana 50	DRK-336A	DRK-336AMK	AK94	DRK-336AAK94	DRK-336AMKAK94
Truck 1 Ton	98-86	Front - Dana 50	DRK-336A	DRK-336AMK	AK41	DRK-336AAK41	DRK-336AMKAK41
Truck 1 Ton	97-92	Front - Dana 60	DRK-331	DRK-331MK			
Truck 1 Ton	91-79	Front - Dana 60	DRK-331	DRK-331MK	AK42	DRK-331AK42	DRK-331MKAK42
Truck 1 Ton	85-81	Front - Dana 44	DRK-339B	DRK-339BMK			
Truck 1 Ton	85-80	Front - Dana 50	DRK-336A	DRK-336AMK	AK41	DRK-336AAK41	DRK-336AMKAK41
Truck 1 Ton	19-17	Rear - Dana M275 Single Rear Wheels	DRK-331D	DRK-331DMK			
Truck 1 Ton	19-17	Rear - Dana M300 Dual Rear Wheels	DRK-331E	DRK-331EMK			
Truck 1 Ton	16-11	Rear - 10.5"	DRK-317B	DRK-317BMK [▲]	AK48	DRK-317BAK48	DRK-317BMKAK48 [▲]
Truck 1 Ton	16-99	Rear - Dana 80	DRK-337A	DRK-337AMK	AK23	DRK-337AAK23	DRK-337AMKAK23
Truck 1 Ton	10-08	Rear - 10.5"	DRK-317A ⁵⁰	DRK-317AMK ⁵⁰	AK48	DRK-317AAK48 ⁵⁰	DRK-317AMKAK48 ⁵⁰
Truck 1 Ton	08-98	Rear - Dana 60/61	DRK-331B	DRK-331BMK			
Truck 1 Ton	08-98	Rear - Dana 70U	DRK-332A	DRK-332AMK	AK23	DRK-332AAK23	DRK-332AMKAK23
Truck 1 Ton	08-72	Rear - Dana 70HD	DRK-332HD	DRK-332HDMK	AK23	DRK-332HDAK23	DRK-332HDMKAK23
Truck 1 Ton	07-99	Rear - 10.5"	DRK-317 ⁵⁰	DRK-317MK ⁵⁰	AK48	DRK-317AK48	DRK-317MKAK48 [▲]
Truck 1 Ton	99-85	Rear - 10.25"	DRK-314	DRK-314MK [▲]	AK22	DRK-314AK22	DRK-314MKAK22 [▲]
Truck 1 Ton	98-88	Rear - Dana 80	DRK-337	DRK-337MK			
Truck 1 Ton	98-54	Rear - Dana 60/61	DRK-331	DRK-331MK			
Truck 1 Ton	97-82	Rear - Dana 70U	DRK-332U	DRK-332UMK	AK23	DRK-332UAK23	DRK-332UMKAK23
Truck 1 Ton	85-80	Rear - Dana 60/61	DRK-331	DRK-331MK	AK22	DRK-331AK22	DRK-331MKAK22
Truck 1 Ton	83-61	Rear - Dana 70	DRK-332	DRK-332MK			
F-450 Super Duty	19-17	Front - Dana 60	DRK-331F	DRK-331FMK			
F-450 Super Duty	16-99	Front - Dana 60	DRK-331A	DRK-331AMK			
F-450 Super Duty	16-99	Rear - Dana S110/S111	DRK-434				
F-450 Super Duty	14-99	Rear - Dana 80	DRK-337A	DRK-337AMK			
F-550 Super Duty	19-17	Front - Dana 60	DRK-331F	DRK-331FMK			
F-550 Super Duty	16-99	Front - Dana 60	DRK-331A	DRK-331AMK			
F-550 Super Duty	16-99	Rear - Dana S110/S111	DRK-434				
F-650 Super Duty	17-11	Rear - Dana S140	DRK-452				
F-650 Super Duty	17-11	Rear - Dana S140	DRK-452				
F-650 Super Duty	10-09	Rear - Dana S110/S111	DRK-434				
F-750 Super Duty	18-11	Rear - Dana S140	DRK-452				
F-750 Super Duty	18-11	Rear - Dana S140	DRK-452				
F-750 Super Duty	10-09	Rear - Dana S110/S111	DRK-434				
Van 1/2 Ton	14-99	Rear - Dana 60/61	DRK-331B	DRK-331BMK	AK22	DRK-331BAK22	DRK-331BMKAK22
Van 1/2 Ton	10-07	Rear - 9.75"	DRK-316B	DRK-316BMK [▲]	AK15	DRK-316BAK15	DRK-316BMKAK15 [▲]
Van 1/2 Ton	08-87	Rear - 8.8"	DRK-311	DRK-311MK [▲]	AK10	DRK-311AK10	DRK-311MKAK10 [▲]
Van 1/2 Ton	06-00	Rear - 9.75"	DRK-316A	DRK-316AMK [▲]	AK10	DRK-316AAK10	DRK-316AMKAK10 [▲]
Van 1/2 Ton	1999	Rear - 9.75" w/ 2.68" Pinion Brg.	DRK-316	DRK-316MK [▲]	AK10	DRK-316AK10	DRK-316MKAK10 [▲]
Van 1/2 Ton	1999	Rear - 9.75" w/ 3.00" Pinion Brg.	DRK-316A	DRK-316AMK [▲]	AK10	DRK-316AAK10	DRK-316AMKAK10 [▲]
Van 1/2 Ton	98-97	Rear - 9.75"	DRK-316	DRK-316MK [▲]	AK10	DRK-316AK10	DRK-316MKAK10 [▲]
Van 3/4 Ton	14-99	Rear - Dana 60/61	DRK-331B	DRK-331BMK	AK22	DRK-331BAK22	DRK-331BMKAK22
Van 3/4 Ton	98-75	Rear - Dana 60/61	DRK-331	DRK-331MK	AK22	DRK-331AK22	DRK-331MKAK22
Van 1 Ton	17-98	Rear - Dana 70U	DRK-332A	DRK-332AMK	AK23	DRK-332AAK23	DRK-332AMKAK23
Van 1 Ton	17-79	Rear - Dana 70HD	DRK-332HD	DRK-332HDMK	AK23	DRK-332HDAK23	DRK-332HDMKAK23

LD Differential

156 ⁵⁰For use with OEM 10.5" R/P only-use kit DRK-314AMK if using aftermarket 10.25" R/P
[▲] Add "S" suffix to kit number to receive stackable differential shims in kit.

Light Duty Differential Applications

Make/Model	Year	Position/ Ring Gear Size	Standard Kit	Master Kit	Axle Kit	Standard Kit Plus	Master Kit Plus
FORD (cont'd)							
Van 1 Ton	14-99	Rear - Dana 60/61	DRK-331B	DRK-331BMK	AK22	DRK-331BAK22	DRK-331BMKAK22
Van 1 Ton	01-98	Rear - Dana 80 w/4.375" Pinion Bearing	DRK-337A	DRK-337AMK			
Van 1 Ton	98-96	Rear - Dana 80 w/4.125" Pinion Bearing	DRK-337	DRK-337MK			
Van 1 Ton	98-81	Rear - Dana 60/61	DRK-331	DRK-331MK	AK22	DRK-331AK22	DRK-331MKAK22
Van 1 Ton	97-82	Rear - Dana 70U	DRK-332U	DRK-332UMK	AK23	DRK-332UAK23	DRK-332UMKAK23
Van 1 Ton	83-79	Rear - Dana 70	DRK-332	DRK-332MK	AK23	DRK-332AK23	DRK-332MKAK23
E 450 Super Duty	17-01	Rear - Dana 70HD	DRK-332HD	DRK-332HDMK	AK23	DRK-332HDAK23	DRK-332HDMKAK23
FREIGHTLINER							
Sprinter 2500	13-07	Rear - All	DRK-307A	DRK-307AMK ▲			
Sprinter 2500	06-04	Rear - All From March 2004 Production	DRK-307	DRK-307MK ▲			
Sprinter 2500	2004	Rear - All Up to Feb 2004 Production Date	DRK-307B	DRK-307BMK ▲			
Sprinter 2500	2003	Rear - All	DRK-307B	DRK-307BMK ▲			
Sprinter 3500	13-07	Rear - All	DRK-307A	DRK-307AMK ▲			
Sprinter 3500	06-04	Rear - From March 2004 Production Date	DRK-307	DRK-307MK ▲			
Sprinter 3500	2004	Rear - All Up to Feb 2004 Production Date	DRK-307B	DRK-307BMK ▲			
Sprinter 3500	2003	Rear - All	DRK-307B	DRK-307BMK ▲			
GMC							
Caballero	87-82	Rear - 7.5"/7.6"	DRK-320	DRK-320MK ▲	AK11	DRK-320AK11	DRK-320MKAK11 ▲
Caballero	87-78	Rear - 8.5"/8.6"	DRK-321R	DRK-321RMK ▲	AK10	DRK-321RAK10	DRK-321RMKAK10 ▲
Caballero	81-78	Rear - 7.5"/7.6"	DRK-320B	DRK-320BMK ▲	AK11	DRK-320BAK11	DRK-320BMKAK11 ▲
Canyon	19-15	Front - All	DRK-369	DRK-369MK			
Canyon	12-04	Front - 7.6" IFS	DRK-320L	DRK-320LMK ▲	AK85	DRK-320LAK85	DRK-320LMKAK85 ▲
Canyon	19-15	Rear - Dana M200	DRK-367	DRK-367MK	AK58	DRK-367AK58	DRK-367MKAK58
Canyon	19-15	Rear - Dana M220	DRK-368	DRK-368MK	AK58	DRK-368AK58	DRK-368MKAK58
Canyon	12-09	Rear - 8.5"/8.6"	DRK-321Q	DRK-321QMK ▲	AK12	DRK-321QAK12	DRK-321QMKAK12 ▲
Canyon	12-04	Rear - 8.0"	DRK-320D	DRK-320DMK ▲	AK12	DRK-320DAK12	DRK-320DMKAK12 ▲
Envoy	09-02	Front - 7.25"	DRK-320K	DRK-320KMK	AK87	DRK-320KAK87	DRK-320KMKAK87
Envoy	2009	Rear - 8.5"/8.6"	DRK-321Q	DRK-321QMK ▲	AK12	DRK-321QAK12	DRK-321QMKAK12 ▲
Envoy	09-02	Rear - 8"	DRK-320D	DRK-320DMK ▲	AK12	DRK-320DAK12	DRK-320DMKAK12 ▲
Envoy	08-02	Rear - 8.5"/8.6"	DRK-321C	DRK-321CMK ▲	AK12	DRK-321CAK12	DRK-321CMKAK12 ▲
Jimmy Full Size	91-80	Front - 8.5"/8.6"	DRK-321R	DRK-321RMK ▲			
Jimmy Full Size	79-70	Front - Dana 44	DRK-339B	DRK-339BMK			
Jimmy Full Size	91-82	Rear - 8.5"/8.6"	DRK-321R	DRK-321RMK ▲	AK10	DRK-321RAK10	DRK-321RMKAK10 ▲
Jimmy Full Size	81-70	Rear - 8.875"	DRK-322	DRK-322MK ▲	AK10	DRK-322AK10	DRK-322MKAK10 ▲
Jimmy S15 Size	05-83	Front - 7.25"	DRK-320A	DRK-320AMK	AK86	DRK-320AAK86	DRK-320AMKAK86
Jimmy S15 Size	05-99	Rear - 7.5"/7.6"	DRK-320C	DRK-320CMK ▲	AK11	DRK-320CAK11	DRK-320CMKAK11 ▲
Jimmy S15 Size	05-99	Rear - 8.5"/8.6"	DRK-321C	DRK-321CMK ▲	AK10	DRK-321CAK10	DRK-321CMKAK10 ▲
Jimmy S15 Size	98-95	Rear - 8.5"/8.6"	DRK-321R	DRK-321RMK ▲	AK10	DRK-321RAK10	DRK-321RMKAK10 ▲
Jimmy S15 Size	98-83	Rear - 7.5"/7.6"	DRK-320	DRK-320MK ▲	AK11	DRK-320AK11	DRK-320MKAK11 ▲
S15	90-83	Front - 7.25"	DRK-320A	DRK-320AMK	AK86	DRK-320AAK86	DRK-320AMKAK86
S15	90-82	Rear - 7.5"/7.6"	DRK-320	DRK-320MK ▲	AK11	DRK-320AK11	DRK-320MKAK11 ▲
Safari	05-90	Front - 7.25"	DRK-320A	DRK-320AMK	AK86	DRK-320AAK86	DRK-320AMKAK86
Safari	05-03	Rear - 7.5"/7.6"	DRK-320C	DRK-320CMK ▲	AK12	DRK-320CAK12	DRK-320CMKAK12 ▲

▲ Add "S" suffix to kit number to receive stackable differential shims in kit.

Light Duty Differential Applications

Make/Model	Year	Position/ Ring Gear Size	Standard Kit	Master Kit	Axle Kit	Standard Kit Plus	Master Kit Plus
GMC (cont'd)							
Safari	02-99	Rear - 7.5"/7.6"	DRK-320C	DRK-320CMK	▲ AK14	DRK-320CAK14	DRK-320CMKAK14 ▲
Safari	98-85	Rear - 7.5"/7.6"	DRK-320	DRK-320MK	▲ AK14	DRK-320AK14	DRK-320MKAK14 ▲
Sonoma	04-97	Front - 7.25"	DRK-320A	DRK-320AMK	AK86	DRK-320AAK86	DRK-320AMKAK86
Sonoma	96-91	Front - 7.25"	DRK-320A	DRK-320AMK	AK86	DRK-320AAK86	DRK-320AMKAK86
Sonoma	04-99	Rear - 7.5"/7.6"	DRK-320C	DRK-320CMK	▲ AK11	DRK-320CAK11	DRK-320CMKAK11 ▲
Sonoma	04-99	Rear - 8.5"/8.6"	DRK-321C	DRK-321CMK	▲ AK10	DRK-321CAK10	DRK-321CMKAK10 ▲
Sonoma	98-94	Rear - 8.5"/8.6"	DRK-321R	DRK-321RMK	▲ AK10	DRK-321RAK10	DRK-321RMKAK10 ▲
Sonoma	98-91	Rear - 7.5"/7.6"	DRK-320	DRK-320MK	▲ AK11	DRK-320AK11	DRK-320MKAK11 ▲
Syclone	1991	Front - 7.25"	DRK-320A	DRK-320AMK	AK86	DRK-320AAK86	DRK-320AMKAK86
Syclone	1991	Rear - 7.5"/7.6"	DRK-320	DRK-320MK	▲ AK11	DRK-320AK11	DRK-320MKAK11 ▲
Truck 1/2 Ton	2019	Front - 8.25" AAM RPO Code SU4	DRK-321T	DRK-321TMK	AK70	DRK-321TAK70	DRK-321TMKAK70
Truck 1/2 Ton	18-14	Front - 8.25"	DRK-321T	DRK-321TMK	AK70	DRK-321TAK70	DRK-321TMKAK70
Truck 1/2 Ton	13-98	Front - 8.25"	DRK-321T	DRK-321TMK	AK83	DRK-321TAK83	DRK-321TMKAK83
Truck 1/2 Ton	97-88	Front - 8.25"	DRK-321A	DRK-321AMK	AK95	DRK-321AAK95	DRK-321AMKAK95
Truck 1/2 Ton	87-77	Front - 8.5"/8.6"	DRK-321	DRK-321MK	▲		
Truck 1/2 Ton	80-69	Front - Dana 44	DRK-339B	DRK-339BMK			
Truck 1/2 Ton	2019	Rear - 9.5" AAM RPO Code SU7	DRK-324E	DRK-324EMK	▲ AK12	DRK-324EAK12	DRK-324EMKAK12 ▲
Truck 1/2 Ton	19-14	Rear - 9.76"	DRK-324H	DRK-324HMK	▲ AK12	DRK-324HAK12	DRK-324HMKAK12 ▲
Truck 1/2 Ton	18-14	Rear - 9.5"	DRK-324E	DRK-324EMK	▲ AK12	DRK-324EAK12	DRK-324EMKAK12 ▲
Truck 1/2 Ton	18-09	Rear - 8.5"/8.6"	DRK-321Q	DRK-321QMK	▲ AK12	DRK-321QAK12	DRK-321QMKAK12 ▲
Truck 1/2 Ton	13-98	Rear - 9.5"	DRK-324B	DRK-324BMK	AK16	DRK-324BAK16	DRK-324BMKAK16
Truck 1/2 Ton	08-00	Rear - 8.5"/8.6"	DRK-321C	DRK-321CMK	▲ AK12	DRK-321CAK12	DRK-321CMKAK12 ▲
Truck 1/2 Ton	05-02	Rear - Dana 60 QuadraSteer Denali	DRK-331C	DRK-331CMK			
Truck 1/2 Ton	99-88	Rear - 8.5"/8.6"	DRK-321R	DRK-321RMK	▲ AK12	DRK-321RAK12	DRK-321RMKAK12 ▲
Truck 1/2 Ton	99-88	Rear - 8.5"/8.6" w/ Limited Slip Differential	DRK-321D	DRK-321DMK	▲ AK12	DRK-321DAK12	DRK-321DMKAK12 ▲
Truck 1/2 Ton	97-88	Rear - 9.5"	DRK-324	DRK-324MK	▲ AK16	DRK-324AK16	DRK-324MKAK16 ▲
Truck 1/2 Ton	87-80	Rear - 8.5"/8.6"	DRK-321R	DRK-321RMK	▲ AK10	DRK-321RAK10	DRK-321RMKAK10 ▲
Truck 1/2 Ton	87-70	Rear - 8.5"/8.6" w/ Limited Slip Differential	DRK-321D	DRK-321DMK	▲ AK10	DRK-321DAK10	DRK-321DMKAK10 ▲
Truck 1/2 Ton	82-80	Rear - 8.875"	DRK-322	DRK-322MK	▲		
Truck 1/2 Ton	81-80	Rear - 8.75"	DRK-323	DRK-323MK	▲		
Truck 1/2 Ton	79-71	Rear - 8.5"/8.6"	DRK-321R	DRK-321RMK	▲ AK10	DRK-321RAK10	DRK-321RMKAK10 ▲
Truck 1/2 Ton	79-64	Rear - 8.875"	DRK-322	DRK-322MK	▲ AK10	DRK-322AK10	DRK-322MKAK10 ▲
Truck 1/2 Ton	72-65	Rear - Dana 44	DRK-339B	DRK-339BMK			
Truck 3/4 Ton	17-11	Front - 9.25"	DRK-324D	DRK-324DMK	▲ AK102	DRK-324DAK102	DRK-324DMKAK102 ▲
Truck 3/4 Ton	10-98	Front - 9.25"	DRK-324C	DRK-324CMK	▲ AK92	DRK-324CAK92	DRK-324CMKAK92 ▲
Truck 3/4 Ton	97-88	Front - 9.25"	DRK-324A	DRK-324AMK	▲ AK92	DRK-324AAK92	DRK-324AMKAK92
Truck 3/4 Ton	91-77	Front - 8.5"/8.6"	DRK-321	DRK-321MK	▲		
Truck 3/4 Ton	80-68	Front - Dana 44	DRK-339B	DRK-339BMK			
Truck 3/4 Ton	17-11	Rear - 10.5"	DRK-325B	DRK-325BMK	AK44	DRK-325BAK44	DRK-325BMKAK44
Truck 3/4 Ton	17-11	Rear - 11.5" 2nd Design w/4.375" Pinion Brg.	DRK-327A	DRK-327AMK	AK44	DRK-327AAK44	DRK-327AMKAK44
Truck 3/4 Ton	15-14	Rear - 9.5"	DRK-324E	DRK-324EMK	▲ AK12	DRK-324EAK12	DRK-324EMKAK12 ▲
Truck 3/4 Ton	13-11	Rear - 9.5"	DRK-324B	DRK-324BMK	AK16	DRK-324BAK16	DRK-324BMKAK16
Truck 3/4 Ton	11-01	Rear - 11.5" 1st Design w/4.125" Pinion Brg.	DRK-327	DRK-327MK	AK29	DRK-327AK29	DRK-327MKAK29
Truck 3/4 Ton	10-00	Rear - 10.5"	DRK-325B	DRK-325BMK	AK29	DRK-325BAK29	DRK-325BMKAK29
Truck 3/4 Ton	10-98	Rear - 9.5"	DRK-324B	DRK-324BMK	AK16	DRK-324BAK16	DRK-324BMKAK16
Truck 3/4 Ton	05-02	Rear - Dana 60 QuadraSteer	DRK-331C	DRK-331CMK			

LD Differential

Light Duty Differential Applications

Make/Model	Year	Position/ Ring Gear Size	Standard Kit	Master Kit	Axle Kit	Standard Kit Plus	Master Kit Plus
GMC (cont'd)							
Truck 3/4 Ton	99-98	Rear - 10.5"	DRK-325B	DRK-325BMK	AK21	DRK-325BAK21	DRK-325BMKAK21
Truck 3/4 Ton	97-89	Rear - 10.5"	DRK-325A	DRK-325AMK	AK21	DRK-325AAK21	DRK-325AMKAK21
Truck 3/4 Ton	97-81	Rear - 9.5"	DRK-324	DRK-324MK ▲	AK16	DRK-324AK16	DRK-324MKAK16 ▲
Truck 3/4 Ton	1988	Rear - 10.5" 1st Design	DRK-325 ⁴⁷	DRK-325MK ⁴⁷	AK21	DRK-325AK21 ⁴⁷	DRK-325MKAK21 ⁴⁷
Truck 3/4 Ton	1988	Rear - 10.5" 2nd Design	DRK-325A	DRK-325AMK	AK21	DRK-325AAK21	DRK-325AMKAK21
Truck 3/4 Ton	87-73	Rear - 10.5"	DRK-325 ⁴⁷	DRK-325MK ⁴⁷	AK21	DRK-325AK21 ⁴⁷	DRK-325MKAK21 ⁴⁷
Truck 3/4 Ton	81-80	Rear - 8.5"/8.6"	DRK-323	DRK-323MK ▲	AK17	DRK-323AK17	DRK-323MKAK17 ▲
Truck 3/4 Ton	81-69	Rear - 8.875"	DRK-322	DRK-322MK ▲	AK10	DRK-322AK10	DRK-322MKAK10 ▲
Truck 3/4 Ton	72-67	Rear - Dana 60	DRK-331	DRK-331MK			
Truck 1 Ton	17-11	Front - 9.25"	DRK-324D	DRK-324DMK ▲	AK102	DRK-324DAK102	DRK-324DMKAK102 ▲
Truck 1 Ton	10-98	Front - 9.25"	DRK-324C	DRK-324CMK ▲	AK92	DRK-324CAK92	DRK-324CMKAK92 ▲
Truck 1 Ton	97-88	Front - 9.25"	DRK-324A	DRK-324AMK ▲	AK92	DRK-324AAK92	DRK-324AMKAK92
Truck 1 Ton	91-77	Front - Dana 60	DRK-331	DRK-331MK	AK42	DRK-331AK42	DRK-331MKAK42
Truck 1 Ton	17-11	Rear - 11.5" 2nd Design w/4.375" Pinion Brg.	DRK-327A	DRK-327AMK	AK44	DRK-327AAK44	DRK-327AMKAK44
Truck 1 Ton	15-11	Rear - 10.5"	DRK-325B	DRK-325BMK	AK44	DRK-325BAK44	DRK-325BMKAK44
Truck 1 Ton	11-01	Rear - 11.5" 1st Design w/4.125" Pinion Brg.	DRK-327	DRK-327MK	AK29 ⁴⁹	DRK-327AK29 ⁴⁹	DRK-327MKAK29 ⁴⁹
Truck 1 Ton	11-01	Rear - 11.5" 1st Design w/4.125" Pinion Brg.	DRK-327	DRK-327MK	AK59 ⁴⁸	DRK-327AK59 ⁴⁸	DRK-327MKAK59 ⁴⁸
Truck 1 Ton	00-98	Rear - 10.5"	DRK-325B	DRK-325BMK	AK21	DRK-325BAK21	DRK-325BMKAK21
Truck 1 Ton	99-91	Rear - Dana 80	DRK-337	DRK-337MK			
Truck 1 Ton	97-89	Rear - 10.5"	DRK-325A	DRK-325AMK	AK21	DRK-325AAK21	DRK-325AMKAK21
Truck 1 Ton	95-83	Rear - 9.5"	DRK-324	DRK-324MK ▲	AK16	DRK-324AK16	DRK-324MKAK16 ▲
Truck 1 Ton	94-73	Rear - Dana 70HD	DRK-332HD	DRK-332HDMK			
Truck 1 Ton	91-84	Rear - Dana 70U	DRK-332U	DRK-332UMK			
Truck 1 Ton	91-73	Rear - Dana 60	DRK-331	DRK-331MK			
Truck 1 Ton	90-73	Rear - Dana 70	DRK-332	DRK-332MK			
Truck 1 Ton	1988	Rear - 10.5" 1st Design	DRK-325 ⁴⁷	DRK-325MK ⁴⁷	AK21	DRK-325AK21 ⁴⁷	DRK-325MKAK21 ⁴⁷
Truck 1 Ton	1988	Rear - 10.5" 2nd Design	DRK-325A	DRK-325AMK	AK21	DRK-325AAK21	DRK-325AMKAK21
Truck 1 Ton	87-72	Rear - 10.5"	DRK-325 ⁴⁷	DRK-325MK ⁴⁷	AK21	DRK-325AK21 ⁴⁷	DRK-325MKAK21 ⁴⁷
C4500 Topkick	09-03	Front - Dana 70	DRK-332HD	DRK-332HDMK			
C4500 Topkick	09-03	Rear - Dana S110/S111	DRK-434				
C5500 Topkick	09-03	Front - Dana 70	DRK-332HD	DRK-332HDMK			
C5500 Topkick	09-03	Rear - Dana S110/S111	DRK-434				
Typhoon	93-92	Front - 7.25"	DRK-320A	DRK-320AMK	AK86	DRK-320AAK86	DRK-320AMKAK86
Typhoon	93-92	Rear - 7.5"/7.6"	DRK-320	DRK-320MK ▲	AK11	DRK-320AK11	DRK-320MKAK11 ▲
Van 1/2 Ton	14-03	Front - 7.25"	DRK-320A	DRK-320AMK	AK86	DRK-320AAK86	DRK-320AMKAK86
Van 1/2 Ton	14-09	Rear - 8.5"/8.6"	DRK-321Q	DRK-321QMK ▲	AK12	DRK-321QAK12	DRK-321QMKAK12 ▲
Van 1/2 Ton	08-99	Rear - 8.5"/8.6"	DRK-321C	DRK-321CMK ▲	AK12	DRK-321CAK12	DRK-321CMKAK12 ▲
Van 1/2 Ton	08-98	Rear - 9.5"	DRK-324B	DRK-324BMK	AK16	DRK-324BAK16	DRK-324BMKAK16
Van 1/2 Ton	98-96	Rear - 8.5"/8.6"	DRK-321R	DRK-321RMK ▲	AK12	DRK-321RAK12	DRK-321RMKAK12 ▲
Van 1/2 Ton	97-81	Rear - 9.5"	DRK-324	DRK-324MK ▲	AK16	DRK-324AK16	DRK-324MKAK16 ▲
Van 1/2 Ton	95-77	Rear - 8.5"/8.6"	DRK-321R	DRK-321RMK ▲	AK10	DRK-321RAK10	DRK-321RMKAK10 ▲
Van 1/2 Ton	81-64	Rear - 8.875"	DRK-322	DRK-322MK ▲	AK10	DRK-322AK10	DRK-322MKAK10 ▲
Van 3/4 Ton	05-03	Front - 7.25"	DRK-320A	DRK-320AMK	AK86	DRK-320AAK86	DRK-320AMKAK86
Van 3/4 Ton	17-11	Rear - 10.5"	DRK-325B	DRK-325BMK	AK44 ⁴⁹	DRK-325BAK44 ⁴⁹	DRK-325BMKAK44 ⁴⁹
Van 3/4 Ton	17-11	Rear - 11.5"	DRK-327A	DRK-327AMK	AK44	DRK-327AAK44	DRK-327AMKAK44
Van 3/4 Ton	17-03	Rear - 10.5"	DRK-325B	DRK-325BMK	AK59 ⁴⁸	DRK-325BAK59 ⁴⁸	DRK-325BMKAK59 ⁴⁸
Van 3/4 Ton	14-98	Rear - 9.5"	DRK-324B	DRK-324BMK	AK16	DRK-324BAK16	DRK-324BMKAK16
Van 3/4 Ton	13-04	Rear - Dana 60/61	DRK-331B	DRK-331BMK	AK22	DRK-331BAK22	DRK-331BMKAK22
Van 3/4 Ton	10-01	Rear - 11.5"	DRK-327	DRK-327MK	AK29 ⁴⁹	DRK-327AK29 ⁴⁹	DRK-327MKAK29 ⁴⁹
Van 3/4 Ton	10-01	Rear - 11.5"	DRK-327	DRK-327MK	AK59 ⁴⁸	DRK-327AK59 ⁴⁸	DRK-327MKAK59 ⁴⁸
Van 3/4 Ton	10-98	Rear - 10.5"	DRK-325B	DRK-325BMK	AK29 ⁴⁹	DRK-325BAK29	DRK-325BMKAK29

⁴⁷For 1984-85 Axles You Must Use Pinion Nose Bearing DC57524-Not Packed in Kit.

⁴⁸With Dual Rear Wheels

⁴⁹With Single Rear Wheels

▲ Add "S" suffix to kit number to receive stackable differential shims in kit.

Light Duty Differential Applications



Make/Model	Year	Position/ Ring Gear Size	Standard Kit	Master Kit	Axle Kit	Standard Kit Plus	Master Kit Plus
GMC (cont'd)							
Van 3/4 Ton	97-89	Rear - 10.5"	DRK-325A	DRK-325AMK	AK21	DRK-325AAK21	DRK-325AMKAK21
Van 3/4 Ton	97-80	Rear - 9.5"	DRK-324	DRK-324MK ▲	AK16	DRK-324AK16	DRK-324MKAK16 ▲
Van 3/4 Ton	1988	Rear - 10.5" 1st Design	DRK-325 ⁴⁷	DRK-325MK ⁴⁷	AK21	DRK-325AK21 ⁴⁷	DRK-325MKAK21 ⁴⁷
Van 3/4 Ton	1988	Rear - 10.5" 2nd Design	DRK-325A	DRK-325AMK	AK21	DRK-325AAK21	DRK-325AMKAK21
Van 3/4 Ton	87-73	Rear - 10.5"	DRK-325 ⁴⁷	DRK-325MK ⁴⁷	AK21	DRK-325AK21 ⁴⁷	DRK-325MKAK21 ⁴⁷
Van 3/4 Ton	81-69	Rear - 8.875"	DRK-322	DRK-322MK ▲	AK10	DRK-322AK10	DRK-322MKAK10 ▲
Van 1 Ton	17-11	Rear - 10.5"	DRK-325B	DRK-325BMK	AK44 ⁴⁹	DRK-325BAK44 ⁴⁹	DRK-325BMKAK44 ⁴⁹
Van 1 Ton	17-11	Rear - 11.5"	DRK-327A	DRK-327AMK	AK44	DRK-327AAK44	DRK-327AMKAK44
Van 1 Ton	17-03	Rear - 10.5"	DRK-325B	DRK-325BMK	AK59 ⁴⁸	DRK-325BAK59 ⁴⁸	DRK-325BMKAK59 ⁴⁸
Van 1 Ton	14-98	Rear - 9.5"	DRK-324B	DRK-324BMK	AK16	DRK-324BAK16	DRK-324BMKAK16
Van 1 Ton	10-04	Rear - Dana 60/61	DRK-331B	DRK-331BMK	AK22	DRK-331BAK22	DRK-331BMKAK22
Van 1 Ton	10-01	Rear - 11.5"	DRK-327	DRK-327MK	AK29 ⁴⁹	DRK-327AK29 ⁴⁹	DRK-327MKAK29 ⁴⁹
Van 1 Ton	10-01	Rear - 11.5"	DRK-327	DRK-327MK	AK59 ⁴⁸	DRK-327AK59 ⁴⁸	DRK-327MKAK59 ⁴⁸
Van 1 Ton	10-98	Rear - 10.5"	DRK-325B	DRK-325BMK	AK29	DRK-325BAK29	DRK-325BMKAK29
Van 1 Ton	09-02	Rear - Dana 70	DRK-332G	DRK-332GMK	AK23	DRK-332GAK23	DRK-332GMKAK23
Van 1 Ton	97-89	Rear - 10.5"	DRK-325A	DRK-325AMK	AK21	DRK-325AAK21	DRK-325AMKAK21
Van 1 Ton	91-80	Rear - Dana 60	DRK-331	DRK-331MK			
Van 1 Ton	1988	Rear - 10.5" 1st Design	DRK-325 ⁴⁷	DRK-325MK ⁴⁷	AK21	DRK-325AK21 ⁴⁷	DRK-325MKAK21 ⁴⁷
Van 1 Ton	1988	Rear - 10.5" 2nd Design	DRK-325A	DRK-325AMK	AK21	DRK-325AAK21	DRK-325AMKAK21
Van 1 Ton	87-73	Rear - 10.5"	DRK-325 ⁴⁷	DRK-325MK ⁴⁷	AK21	DRK-325AK21 ⁴⁷	DRK-325MKAK21 ⁴⁷
Yukon	19-15	Front - 8.25"	DRK-321T	DRK-321TMK	AK70	DRK-321TAK70	DRK-321TMKAK70
Yukon	14-98	Front - 8.25"	DRK-321T	DRK-321TMK	AK83	DRK-321TAK83	DRK-321TMKAK83
Yukon	97-92	Front - 8.25"	DRK-321A	DRK-321AMK	AK95	DRK-321AAK95	DRK-321AMKAK95
Yukon	19-15	Rear - 9.5"	DRK-324E	DRK-324EMK ▲	AK12	DRK-324EAK12	DRK-324EMKAK12 ▲
Yukon	19-15	Rear - 9.76"	DRK-324H	DRK-324HMK ▲	AK12	DRK-324HAK12	DRK-324HMKAK12 ▲
Yukon	14-09	Rear - 8.5"/8.6"	DRK-321Q	DRK-321QMK ▲	AK12	DRK-321QAK12	DRK-321QMKAK12 ▲
Yukon	08-00	Rear - 8.5"/8.6"	DRK-321C	DRK-321CMK ▲	AK12	DRK-321CAK12	DRK-321CMKAK12 ▲
Yukon	99-92	Rear - 8.5"/8.6"	DRK-321R	DRK-321RMK ▲	AK12	DRK-321RAK12	DRK-321RMKAK12 ▲
Yukon XL	19-15	Front - 8.25"	DRK-321T	DRK-321TMK	AK70	DRK-321TAK70	DRK-321TMKAK70
Yukon XL	19-15	Rear - 9.5"	DRK-324E	DRK-324EMK ▲	AK12	DRK-324EAK12	DRK-324EMKAK12 ▲
Yukon XL	19-15	Rear - 9.76"	DRK-324H	DRK-324HMK ▲	AK12	DRK-324HAK12	DRK-324HMKAK12 ▲
Yukon XL 1500	14-00	Front - 8.25"	DRK-321T	DRK-321TMK	AK83	DRK-321TAK83	DRK-321TMKAK83
Yukon XL 1500	14-09	Rear - 8.5"/8.6"	DRK-321Q	DRK-321QMK ▲	AK12	DRK-321QAK12	DRK-321QMKAK12 ▲
Yukon XL 1500	08-00	Rear - 8.5"/8.6"	DRK-321C	DRK-321CMK ▲	AK12	DRK-321CAK12	DRK-321CMKAK12 ▲
Yukon XL 1500	08-00	Rear - 9.5"	DRK-324B	DRK-324BMK	AK16	DRK-324BAK16	DRK-324BMKAK16
Yukon XL 2500	13-11	Front - 9.25"	DRK-324D	DRK-324DMK ▲	AK102	DRK-324DAK102	DRK-324DMKAK102 ▲
Yukon XL 2500	10-00	Front - 9.25"	DRK-324C	DRK-324CMK ▲	AK92	DRK-324CAK92	DRK-324CMKAK92 ▲
Yukon XL 2500	13-11	Rear - 10.5"	DRK-325B	DRK-325BMK	AK44	DRK-325BAK44	DRK-325BMKAK44
Yukon XL 2500	13-00	Rear - 9.5"	DRK-324B	DRK-324BMK	AK16	DRK-324BAK16	DRK-324BMKAK16
Yukon XL 2500	10-08	Rear - 10.5"	DRK-325B	DRK-325BMK	AK29	DRK-325BAK29	DRK-325BMKAK29
Yukon XL 2500	05-02	Rear - Dana 60 Quadrateer	DRK-331C	DRK-331CMK			

LD Differential

HUMMER

H1	06-02	Front - AMC 20	DRK-311H	DRK-311HMK	AK27	DRK-311HAK27	DRK-311HMKAK27
H1	06-02	Rear - AMC 20	DRK-311H	DRK-311HMK	AK27	DRK-311HAK27	DRK-311HMKAK27
H2	09-03	Front - 9.25"	DRK-324C	DRK-324CMK ▲	AK92	DRK-324CAK92	DRK-324CMKAK92 ▲
H2	09-03	Rear - 9.5"	DRK-324B	DRK-324BMK	AK16	DRK-324BAK16	DRK-324BMKAK16
H3	10-06	Front - 7.6" IFS	DRK-320L	DRK-320LMK ▲	AK85	DRK-320LAK85	DRK-320LMKAK85 ▲
H3	10-09	Rear - 8.5"/8.6"	DRK-321C	DRK-321CMK ▲	AK12	DRK-321CAK12	DRK-321CMKAK12 ▲
H3	10-06	Rear - 8.0"	DRK-320D	DRK-320DMK ▲	AK12	DRK-320DAK12	DRK-320DMKAK12 ▲
H3T	10-09	Front - 7.6" IFS	DRK-320L	DRK-320LMK ▲	AK85	DRK-320LAK85	DRK-320LMKAK85 ▲
H3T	10-09	Rear - 8.0"	DRK-320D	DRK-320DMK ▲	AK12	DRK-320DAK12	DRK-320DMKAK12 ▲
H3T	10-09	Rear - 8.5"/8.6"	DRK-321C	DRK-321CMK ▲	AK12	DRK-321CAK12	DRK-321CMKAK12 ▲

Light Duty Differential Applications

Make/Model	Year	Position/ Ring Gear Size	Standard Kit	Master Kit	Axle Kit	Standard Kit Plus	Master Kit Plus
ISUZU							
Ascender	08-03	Front - 7.25"	DRK-320K	DRK-320KMK	AK87	DRK-320KAK87	DRK-320KMKAK87
Ascender	08-03	Rear - 8"	DRK-320D	DRK-320DMK ▲	AK12	DRK-320DAK12	DRK-320DMKAK12 ▲
Ascender	08-03	Rear - 8.5"/8.6"	DRK-321C	DRK-321CMK ▲	AK12	DRK-321CAK12	DRK-321CMKAK12 ▲
Hombre	00-96	Front - 7.25"	DRK-320A	DRK-320AMK	AK86	DRK-320AAK86	DRK-320AMKAK86
Hombre	00-99	Rear - 7.5"/7.6"	DRK-320C	DRK-320CMK ▲	AK11	DRK-320CAK11	DRK-320CMKAK11 ▲
Hombre	00-99	Rear - 8.5"/8.6"	DRK-321C	DRK-321CMK ▲	AK10	DRK-321CAK10	DRK-321CMKAK10 ▲
Hombre	98-96	Rear - 7.5"/7.6"	DRK-320	DRK-320MK ▲	AK11	DRK-320AK11	DRK-320MKAK11 ▲
Hombre	98-96	Rear - 8.5"/8.6"	DRK-321R	DRK-321RMK ▲	AK10	DRK-321RAK10	DRK-321RMKAK10 ▲
i-280	2006	Rear - 8.0"	DRK-320D	DRK-320DMK ▲	AK12	DRK-320DAK12	DRK-320DMKAK12 ▲
i-290	08-07	Rear - 8.0"	DRK-320D	DRK-320DMK ▲	AK12	DRK-320DAK12	DRK-320DMKAK12 ▲
i-350	2006	Front - 7.6" IFS	DRK-320L	DRK-320LMK ▲	AK85	DRK-320LAK85	DRK-320LMKAK85 ▲
i-350	2006	Rear - 8.0"	DRK-320D	DRK-320DMK ▲	AK12	DRK-320DAK12	DRK-320DMKAK12 ▲
i-370	08-07	Front - 7.6" IFS	DRK-320L	DRK-320LMK ▲	AK85	DRK-320LAK85	DRK-320LMKAK85 ▲
i-370	08-07	Rear - 8.0"	DRK-320D	DRK-320DMK ▲	AK12	DRK-320DAK12	DRK-320DMKAK12 ▲
Rodeo	93-91	Rear - 7.5"	DRK-320	DRK-320MK ▲	AK14	DRK-320AK14	DRK-320MKAK14 ▲
JEEP							
Cherokee SJ	83-74	Front - Dana 44	DRK-339B	DRK-339BMK			
Cherokee SJ	83-80	Rear - AMC 20	DRK-311J	DRK-311JMK ▲			
Cherokee SJ	79-74	Rear - Dana 44	DRK-339B	DRK-339BMK			
Cherokee XJ	01-00	Front - Dana 30 Low Pinion	DRK-334TJ	DRK-334TJMK	AK52	DRK-334TJAK52	DRK-334TJMKAK52
Cherokee XJ	2000	Front - Dana 30 High Pinion	DRK-334	DRK-334MK	AK52	DRK-334AK52	DRK-334MKAK52
Cherokee XJ	99-90	Front - Dana 30	DRK-334	DRK-334MK	AK52	DRK-334AK52	DRK-334MKAK52
Cherokee XJ	89-84	Front - Dana 30	DRK-334	DRK-334MK	AK40	DRK-334AK40	DRK-334MKAK40
Cherokee XJ	85-84	Front - Dana 44	DRK-339B	DRK-339BMK			
Cherokee XJ	01-97	Rear - 8.25"	DRK-303A	DRK-303AMK	AK10	DRK-303AAK10	DRK-303AMKAK10
Cherokee XJ	01-90	Rear - Dana 35	DRK-335	DRK-335MK ▲	AK11	DRK-335AK11	DRK-335MKAK11 ▲
Cherokee XJ	96-91	Rear - 8.25"	DRK-303	DRK-303MK	AK10	DRK-303AK10	DRK-303MKAK10
Cherokee XJ	89-88	Rear - Dana 35	DRK-335	DRK-335MK ▲	AK49	DRK-335AK49	DRK-335MKAK49 ▲
Cherokee XJ	1987	Rear - Dana 35	DRK-335	DRK-335MK ▲	AK49	DRK-335AK49	DRK-335MKAK49 ▲
Cherokee XJ	1987	Rear - Dana 44	DRK-339B	DRK-339BMK	AK47	DRK-339BAK47	DRK-339BMKAK47
Cherokee XJ	86-84	Rear - Dana 35	DRK-335	DRK-335MK ▲	AK49	DRK-335AK49	DRK-335MKAK49 ▲
CJ5	83-71	Front - Dana 30	DRK-334	DRK-334MK			
CJ5	83-76	Rear - AMC 20	DRK-311J	DRK-311JMK ▲			
CJ5	75-67	Rear - Dana 44	DRK-339B	DRK-339BMK			
CJ7	86-76	Front - Dana 30	DRK-334	DRK-334MK			
CJ7	1986	Rear - Dana 44	DRK-339B	DRK-339BMK			
CJ7	86-76	Rear - AMC 20	DRK-311J	DRK-311JMK ▲			
Comanche	92-90	Front - Dana 30	DRK-334	DRK-334MK			
Comanche	89-86	Front - Dana 30	DRK-334	DRK-334MK	AK40	DRK-334AK40	DRK-334MKAK40
Comanche	92-90	Rear - Dana 35	DRK-335	DRK-335MK ▲	AK11	DRK-335AK11	DRK-335MKAK11 ▲
Comanche	92-90	Rear - Dana 44	DRK-339B	DRK-339BMK	AK47	DRK-339BAK47	DRK-339BMKAK47
Comanche	89-86	Rear - Dana 35	DRK-335	DRK-335MK ▲	AK49	DRK-335AK49	DRK-335MKAK49 ▲
Comanche	89-86	Rear - Dana 44	DRK-339B	DRK-339BMK	AK47	DRK-339BAK47	DRK-339BMKAK47
Commander	10-06	Front - C200 IFS	DRK-308				
Commander	10-06	Rear - 8.25"	DRK-303B	DRK-303BMK			
Commander	10-06	Rear - Dana 44	DRK-339J	DRK-339JMK			
Grand Cherokee	10-05	Front - C200 IFS	DRK-308				
Grand Cherokee	04-99	Front - Dana 30	DRK-334C	DRK-334CMK			
Grand Cherokee	98-97	Front - Dana 30	DRK-334TJ	DRK-334TJMK	AK52	DRK-334TJAK52	DRK-334TJMKAK52
Grand Cherokee	96-93	Front - Dana 30	DRK-334A	DRK-334AMK	AK52	DRK-334AAK52	DRK-334AMKAK52
Grand Cherokee	10-06	Rear - Dana 44	DRK-339J	DRK-339JMK			

▲ Add "S" suffix to kit number to receive stackable differential shims in kit.

Light Duty Differential Applications



Make/Model	Year	Position/ Ring Gear Size	Standard Kit	Master Kit	Axle Kit	Standard Kit Plus	Master Kit Plus
JEEP (cont'd)							
Grand Cherokee	10-05	Rear - 8.25"	DRK-303B	DRK-303BMK			
Grand Cherokee	04-99	Rear - Dana 35	DRK-335C	DRK-335CMK ▲			
Grand Cherokee	04-99	Rear - Dana 44	DRK-339A	DRK-339AMK ▲			
Grand Cherokee	98-96	Rear - Dana 44	DRK-339A	DRK-339AMK ▲			
Grand Cherokee	98-93	Rear - Dana 35	DRK-335	DRK-335MK ▲	AK11	DRK-335AK11	DRK-335MKAK11 ▲
Grand Wagoneer	91-84	Front - Dana 44	DRK-339B	DRK-339BMK			
Grand Wagoneer	91-87	Rear - Dana 44	DRK-339B	DRK-339BMK	AK47	DRK-339BAK47	DRK-339BMKAK47
Grand Wagoneer	86-84	Rear - AMC 20	DRK-311J	DRK-311JMK ▲			
J10	88-70	Front - Dana 44	DRK-339B	DRK-339BMK			
J10	86-80	Rear - AMC 20	DRK-311J	DRK-311JMK ▲			
J20	88-70	Front - Dana 44	DRK-339B	DRK-339BMK			
J20	88-70	Rear - Dana 60	DRK-331	DRK-331MK			
Jeepster	73-71	Front - Dana 30	DRK-334	DRK-334MK			
Jeepster	73-67	Rear - Dana 44	DRK-339B	DRK-339BMK			
Liberty	12-02	Front - Dana 30	DRK-340	DRK-340MK ▲			
Liberty	12-09	Rear - 8.25"	DRK-303B	DRK-303BMK	AK26	DRK-303BAK26	DRK-303BMKAK26
Liberty	08-02	Rear - 8.25"	DRK-303B	DRK-303BMK	AK10	DRK-303BAK10	DRK-303BMKAK10
Liberty	08-02	Rear - Dana 35	DRK-335C	DRK-335CMK ▲			
Gladiator JT	2020	Front - Dana 30	DRK-334D	DRK-334DMK	AK53	DRK-334DAK53	DRK-334DMKAK53
Gladiator JT Rubicon	2020	Front - Dana 44	DRK-339K	DRK-339KMK			
Gladiator JT	2020	Rear - Dana 35	DRK-335H	DRK-335HMK	AK104		
Gladiator JT Rubicon	2020	Rear - Dana 44	DRK-339L	DRK-339LMK	AK103		
Scrambler CJ8	85-81	Front - Dana 30	DRK-334	DRK-334MK			
Scrambler CJ8	85-81	Rear - AMC 20	DRK-311J	DRK-311JMK ▲			
Wagoneer SJ	83-74	Front - Dana 44	DRK-339B	DRK-339BMK			
Wagoneer SJ	73-71	Front - Dana 30	DRK-334	DRK-334MK			
Wagoneer SJ	83-80	Rear - AMC 20	DRK-311J	DRK-311JMK ▲			
Wagoneer SJ	79-72	Rear - Dana 44	DRK-339B	DRK-339BMK			
Wagoneer XJ	89-84	Front - Dana 30	DRK-334	DRK-334MK	AK40	DRK-334AK40	DRK-334MKAK40
Wagoneer XJ	85-84	Front - Dana 44	DRK-339B	DRK-339BMK			
Wagoneer XJ	89-88	Rear - Dana 35	DRK-335	DRK-335MK ▲	AK49	DRK-335AK49	DRK-335MKAK49 ▲
Wagoneer XJ	1987	Rear - Dana 35	DRK-335	DRK-335MK ▲	AK49	DRK-335AK49	DRK-335MKAK49 ▲
Wagoneer XJ	1987	Rear - Dana 44	DRK-339B	DRK-339BMK	AK47	DRK-339BAK47	DRK-339BMKAK47
Wagoneer XJ	86-84	Rear - Dana 35	DRK-335	DRK-335MK ▲	AK49	DRK-335AK49	DRK-335MKAK49 ▲
Wrangler YJ	95-90	Front - Dana 30	DRK-334	DRK-334MK	AK52	DRK-334AK52	DRK-334MKAK52
Wrangler YJ	89-87	Front - Dana 30	DRK-334	DRK-334MK	AK40	DRK-334AK40	DRK-334MKAK40
Wrangler YJ	95-94	Rear - Dana 44	DRK-339B	DRK-339BMK	AK47	DRK-339BAK47	DRK-339BMKAK47
Wrangler YJ	93-90	Rear - Dana 35	DRK-335	DRK-335MK ▲	AK11	DRK-335AK11	DRK-335MKAK11 ▲
Wrangler YJ	93-87	Rear - Dana 44	DRK-339B	DRK-339BMK	AK47	DRK-339BAK47	DRK-339BMKAK47
Wrangler YJ	89-87	Rear - Dana 35	DRK-335	DRK-335MK ▲			
Wrangler TJ	06-97	Front - Dana 30	DRK-334TJ	DRK-334TJMK	AK52	DRK-334TJAK52	DRK-334TJMKAK52
Wrangler TJ	06-01	Rear - Dana 44	DRK-339E	DRK-339EMK	AK47	DRK-339EAK47	DRK-339EMKAK47
Wrangler TJ	06-97	Rear - Dana 35	DRK-335	DRK-335MK ▲	AK43	DRK-335AK43	DRK-335MKAK43 ▲
Wrangler TJ	00-97	Rear - Dana 44	DRK-339B	DRK-339BMK	AK47	DRK-339BAK47	DRK-339BMKAK47
Wrangler TJ Rubicon	06-03	Front - Dana 44	DRK-339E	DRK-339EMK	AK53	DRK-339EAK53	DRK-339EMKAK53
Wrangler TJ Rubicon	06-03	Rear - Dana 44	DRK-339E	DRK-339EMK	AK47	DRK-339EAK47	DRK-339EMKAK47
Wrangler JK	18-07	Front - Dana 30	DRK-334D	DRK-334DMK	AK53	DRK-334DAK53	DRK-334DMKAK53
Wrangler JK	18-07	Front - Dana 44	DRK-339F	DRK-339FMK	AK53	DRK-339FAK53	DRK-339FMKAK53
Wrangler JK	18-07	Rear - Dana 44	DRK-339H	DRK-339HMK	AK47	DRK-339HAK47	DRK-339HMKAK47
Wrangler JK	18-07	Rear - Dana 44 w/ E-Loc	DRK-339G	DRK-339GMK	AK47	DRK-339GAK47	DRK-339GMKAK47
Wrangler JK Rubicon	18-07	Front - Dana 44	DRK-339F	DRK-339FMK	AK53	DRK-339FAK53	DRK-339FMKAK53
Wrangler JK Rubicon	18-07	Rear - Dana 44 w/ E-Loc	DRK-339G	DRK-339GMK	AK47	DRK-339GAK47	DRK-339GMKAK47
Wrangler JL	19-18	Front - Dana 30	DRK-334D	DRK-334DMK	AK53	DRK-334DAK53	DRK-334DMKAK53
Wrangler JL	19-18	Rear - Dana 35	DRK-335H	DRK-335HMK	AK104	DRK-335HAK104	
Wrangler JL Rubicon	19-18	Front - Dana 44	DRK-339K	DRK-339KMK			

LD Differential

Light Duty Differential Applications

Make/Model	Year	Position/ Ring Gear Size	Standard Kit	Master Kit	Axle Kit	Standard Kit Plus	Master Kit Plus
JEEP (cont'd)							
Wrangler JL Rubicon	19-18	Rear - Dana 44	DRK-339L	DRK-339LMK	AK103	DRK-339LAK103	
LINCOLN							
Aviator	05-03	Front - Dana 30	DRK-334B	DRK-334BMK			
Aviator	05-03	Front - Dana 35	DRK-335B	DRK-335BMK ▲			
Aviator	05-03	Rear - 8.8" IRS	DRK-311	DRK-311MK ▲	AK36	DRK-311AK36	DRK-311MKAK36 ▲
Blackwood	2002	Rear - 9.75"	DRK-316A	DRK-316AMK ▲	AK15	DRK-316AAK15	DRK-316AMKAK15 ▲
Continental	87-80	Rear - 8.8"	DRK-311	DRK-311MK ▲	AK11	DRK-311AK11	DRK-311MKAK11 ▲
Continental	79-70	Rear - 9" 31 spline From 05/11/70	DRK-313	DRK-313MK			
LS	06-00	Rear - 8.0"	DRK-311N	DRK-311NMK ▲	AK90	DRK-311NAK90	DRK-311NMKAK90 ▲
Mark LT	08-06	Front - 8.8"	DRK-311	DRK-311MK ▲	AK88	DRK-311AK88	DRK-311MKAK88 ▲
Mark LT	08-07	Rear - 9.75"	DRK-316B	DRK-316BMK ▲	AK15	DRK-316BAK15	DRK-316BMKAK15 ▲
Mark LT	2006	Rear - 9.75"	DRK-316A	DRK-316AMK ▲	AK15	DRK-316AAK15	DRK-316AMKAK15 ▲
Mark III	71-68	Rear - 9" 28 spline	DRK-312	DRK-312MK			
Mark III	71-68	Rear - 9" 31 spline	DRK-313	DRK-313MK			
Mark VI	83-80	Rear - 8.8"	DRK-311	DRK-311MK ▲	AK11	DRK-311AK11	DRK-311MKAK11 ▲
Mark VII	92-84	Rear - 8.8"	DRK-311	DRK-311MK ▲	AK11	DRK-311AK11	DRK-311MKAK11 ▲
Mark VII	87-84	Rear - 7.5"	DRK-315	DRK-315MK ▲	AK11	DRK-315AK11	DRK-315MKAK11 ▲
Mark VIII	98-93	Rear - 8.8"	DRK-311	DRK-311MK ▲	AK90	DRK-311AK90	DRK-311MKAK90 ▲
Navigator	18-09	Front - 8.8"	DRK-311	DRK-311MK ▲	AK91	DRK-311AK91	DRK-311MKAK91 ▲
Navigator	08-98	Front - 8.8"	DRK-311	DRK-311MK ▲	AK88	DRK-311AK88	DRK-311MKAK88 ▲
Navigator	18-15	Rear - 9.75"	DRK-316E	DRK-316EMK ▲	AK36	DRK-316EAK36	DRK-316EMKAK36 ▲
Navigator	14-11	Rear - 9.75" from 04/30/2011	DRK-316D	DRK-316DMK ▲	AK36	DRK-316DAK36	DRK-316DMKAK36 ▲
Navigator	11-07	Rear - 9.75" To 04/29/2011	DRK-316B	DRK-316BMK ▲	AK36	DRK-316BAK36	DRK-316BMKAK36 ▲
Navigator	06-03	Rear - 9.75"	DRK-316A	DRK-316AMK ▲	AK36	DRK-316AAK36	DRK-316AMKAK36 ▲
Navigator	02-00	Rear - 9.75"	DRK-316A	DRK-316AMK ▲	AK15	DRK-316AAK15	DRK-316AMKAK15 ▲
Navigator	1999	Rear - 9.75" w/ 2.68" Pinion Brg.	DRK-316	DRK-316MK ▲	AK15	DRK-316AK15	DRK-316MKAK15 ▲
Navigator	1999	Rear - 9.75" w/ 3.00" Pinion Brg.	DRK-316A	DRK-316AMK ▲	AK15	DRK-316AAK15	DRK-316AMKAK15 ▲
Navigator	1998	Rear - 9.75"	DRK-316	DRK-316MK ▲	AK15	DRK-316AK15	DRK-316MKAK15 ▲
Town Car	11-03	Rear - 8.8"	DRK-311	DRK-311MK ▲	AK101	DRK-311AK101	DRK-311MKAK101 ▲
Town Car	02-81	Rear - 8.8"	DRK-311	DRK-311MK ▲	AK11	DRK-311AK11	DRK-311MKAK11 ▲
Versailles	80-77	Rear - 9"	DRK-313	DRK-313MK			
Zephyr	83-78	Rear - 7.5"	DRK-315	DRK-315MK ▲			
Zephyr	1978	Rear - 8"	DRK-310	DRK-310MK			
MAZDA							
B2300	10-01	Front - Dana 35	DRK-335B	DRK-335BMK ▲			
B2300	2010	Rear - 7.5"	DRK-315	DRK-315MK ▲	AK10	DRK-315AK10	DRK-315MKAK10 ▲
B2300	09-01	Rear - 7.5"	DRK-315	DRK-315MK ▲	AK11	DRK-315AK11	DRK-315MKAK11 ▲
B2500	01-98	Front - Dana 35	DRK-335B	DRK-335BMK ▲			
B2500	01-98	Rear - 7.5"	DRK-315	DRK-315MK ▲	AK11	DRK-315AK11	DRK-315MKAK11 ▲
B3000	08-98	Front - Dana 35	DRK-335B	DRK-335BMK ▲			
B3000	97-94	Front - Dana 35	DRK-335	DRK-335MK ▲	AK98		
B3000	08-07	Rear - 8.8"	DRK-311G	DRK-311GMK ▲	AK10	DRK-311GAK10	DRK-311GMKAK10 ▲
B3000	08-94	Rear - 7.5"	DRK-315	DRK-315MK ▲	AK11	DRK-315AK11	DRK-315MKAK11 ▲
B3000	06-94	Rear - 8.8"	DRK-311	DRK-311MK ▲	AK10	DRK-311AK10	DRK-311MKAK10 ▲
B4000	10-98	Front - Dana 35	DRK-335B	DRK-335BMK ▲			
B4000	97-94	Front - Dana 35	DRK-335	DRK-335MK ▲	AK98		

▲ Add "S" suffix to kit number to receive stackable differential shims in kit.

Light Duty Differential Applications



Make/Model	Year	Position/ Ring Gear Size	Standard Kit	Master Kit	Axle Kit	Standard Kit Plus	Master Kit Plus
MAZDA (cont'd)							
B4000	10-07	Rear - 8.8"	DRK-311G	DRK-311GMK ▲	AK10	DRK-311GAK10	DRK-311GMKAK10 ▲
B4000	06-94	Rear - 8.8"	DRK-311	DRK-311MK ▲	AK10	DRK-311AK10	DRK-311MKAK10 ▲
Navajo	94-91	Front - Dana 35	DRK-335	DRK-335MK ▲	AK98		
Navajo	01-91	Rear - 8.8"	DRK-311	DRK-311MK ▲	AK10	DRK-311AK10	DRK-311MKAK10 ▲
Navajo	97-91	Rear - 7.5"	DRK-315	DRK-315MK ▲	AK10	DRK-315AK10	DRK-315MKAK10 ▲
Tribute	11-01	Rear - Dana 28	DRK-333A ¹¹⁰	DRK-333AMK ¹¹⁰	AK89	DRK-333AAK89 ¹¹⁰	DRK-333AMKAK89 ¹¹⁰

MERCEDES-BENZ

Sprinter 2500	13-10	Rear - All	DRK-307A	DRK-307AMK ▲			
Sprinter 3500	13-10	Rear - All	DRK-307A	DRK-307AMK ▲			

MERCURY

Bobcat	80-75	Rear - 8"	DRK-310	DRK-310MK			
Capri	1986	Rear - 8.8"	DRK-311	DRK-311MK ▲	AK11	DRK-311AK11	DRK-311MKAK11 ▲
Capri	86-79	Rear - 7.5"	DRK-315	DRK-315MK ▲	AK11	DRK-315AK11	DRK-315MKAK11 ▲
Colony Park	91-81	Rear - 8.8"	DRK-311	DRK-311MK ▲	AK11	DRK-311AK11	DRK-311MKAK11 ▲
Colony Park	80-73	Rear - 9" 31 spline From 05/11/70	DRK-313	DRK-313MK			
Comet	72-64	Rear - 8"	DRK-310	DRK-310MK			
Cougar	97-89	Rear - 7.5"	DRK-315	DRK-315MK ▲			
Cougar	97-89	Rear - 8.8"	DRK-311	DRK-311MK ▲	AK90	DRK-311AK90	DRK-311MKAK90 ▲
Cougar	88-80	Rear - 7.5"	DRK-315	DRK-315MK ▲	AK11	DRK-315AK11	DRK-315MKAK11 ▲
Cougar	79-70	Rear - 9" 31 spline From 05/11/70	DRK-313	DRK-313MK			
Cougar	70-67	Rear - 9" 28 spline To 5/10/70	DRK-312	DRK-312MK			
Cougar	68-67	Rear - 8"	DRK-310	DRK-310MK			
Grand Marquis	11-03	Rear - 8.8"	DRK-311	DRK-311MK ▲	AK101	DRK-311AK101	DRK-311MKAK101 ▲
Grand Marquis	02-83	Rear - 8.8"	DRK-311	DRK-311MK ▲	AK11	DRK-311AK11	DRK-311MKAK11 ▲
Marauder	04-03	Rear - 8.8"	DRK-311	DRK-311MK ▲	AK101	DRK-311AK101	DRK-311MKAK101 ▲
Mariner	10-05	Rear - Dana 28	DRK-333A ¹¹⁰	DRK-333AMK ¹¹⁰	AK89	DRK-333AAK89 ¹¹⁰	DRK-333AMKAK89 ¹¹⁰
Marquis	86-81	Rear - 7.5"	DRK-315	DRK-315MK ▲			
Marquis	82-81	Rear - 8.8"	DRK-311	DRK-311MK ▲	AK11	DRK-311AK11	DRK-311MKAK11 ▲
Marquis	80-73	Rear - 9" 31 spline From 05/11/70	DRK-313	DRK-313MK			
Monarch	80-75	Rear - 8"	DRK-310	DRK-310MK			
Monarch	80-75	Rear - 9"	DRK-313	DRK-313MK			
Montego	76-70	Rear - 9" 31 spline From 05/11/70	DRK-313	DRK-313MK			
Montego	70-68	Rear - 9" 28 spline To 5/10/70	DRK-312	DRK-312MK			
Mountaineer	10-06	Front - Dana 30	DRK-334E	DRK-334EMK ▲			
Mountaineer	05-01	Front - Dana 30	DRK-334B	DRK-334BMK			
Mountaineer	05-97	Front - Dana 35	DRK-335B	DRK-335BMK ▲			
Mountaineer	10-08	Rear - 8.8" IRS	DRK-311L	DRK-311LMK ▲	AK36	DRK-311LAK36	DRK-311LMKAK36 ▲
Mountaineer	07-06	Rear - 8.8" IRS	DRK-311K	DRK-311KMK ▲	AK36	DRK-311KAK36	DRK-311KMKAK36 ▲
Mountaineer	05-02	Rear - 8.8" IRS	DRK-311	DRK-311MK ▲	AK36	DRK-311AK36	DRK-311MKAK36 ▲
Mountaineer	01-97	Rear - 8.8"	DRK-311	DRK-311MK ▲	AK10	DRK-311AK10	DRK-311MKAK10 ▲

LD Differential

Light Duty Differential Applications

Make/Model	Year	Position/ Ring Gear Size	Standard Kit	Master Kit	Axle Kit	Standard Kit Plus	Master Kit Plus
MITSUBISHI							
Raider	09-06	Front - 8.0"	DRK-305	DRK-305MK			
Raider	09-06	Rear - 8.25"	DRK-303B	DRK-303BMK	AK10	DRK-303BAK10	DRK-303BMKAK10
Raider	09-06	Rear - 9.25"	DRK-304A	DRK-304AMK	AK10	DRK-304AAK10	DRK-304AMKAK10
NISSAN							
Armada	15-05	Front - Dana 205	DRK-339T	DRK-339TMK			
Armada	15-09	Rear - Dana 44	DRK-339N	DRK-339NMK	AK51	DRK-339NAK51	DRK-339NMKAK51
Armada	08-05	Rear - Dana 44	DRK-339N	DRK-339NMK	AK47	DRK-339NAK47	DRK-339NMKAK47
D21 Pickup	97-86	Front - Nissan R180	DRK-385B				
D21 Pickup	97-90	Rear - H233BS	DRK-385D				
D21 Pickup	97-86	Rear - Nissan C200	DRK-385A				
D21 Pickup	89-86	Rear - H233B	DRK-385B				
Frontier	04-98	Front - Nissan R180	DRK-385B				
Frontier	17-03	Rear - Dana 44 w/ 12 Bolt Cover	DRK-339N	DRK-339NMK	AK47	DRK-339NAK47	DRK-339NMKAK47
Frontier	04-98	Rear - H233BS	DRK-385D				
Frontier	04-98	Rear - Nissan C200	DRK-385A				
NV1500	17-12	Rear - 250MM AAM Axle W/14 Bolt Cover	DRK-339V	DRK-339VMK			
NV2500	17-12	Rear - 250MM AAM Axle W/14 Bolt Cover	DRK-339V	DRK-339VMK			
NV3500	17-12	Rear - 250MM AAM Axle W/14 Bolt Cover	DRK-339V	DRK-339VMK			
Patrol	04-90	Rear - H233BS	DRK-385D				
Patrol	89-85	Rear - H233B	DRK-385C				
Pathfinder	04-87	Front - Nissan R180	DRK-385B				
Pathfinder	12-09	Rear - Dana 44 w/ 12 Bolt Cover	DRK-339N	DRK-339NMK	AK51	DRK-339NAK51	DRK-339NMKAK51
Pathfinder	08-03	Rear - Dana 44 w/ 12 Bolt Cover	DRK-339N	DRK-339NMK	AK47	DRK-339NAK47	DRK-339NMKAK47
Pathfinder	04-90	Rear - H233BS	DRK-385D				
Pathfinder	04-87	Rear - Nissan C200	DRK-385A				
Pathfinder	89-87	Rear - H233B	DRK-385C				
Titan	15-04	Front - Dana 205	DRK-339T	DRK-339TMK			
Titan	18-16	Rear - 250MM AAM Axle W/14 Bolt Cover	DRK-325D	DRK-325DMK			
Titan	15-09	Rear - Dana 44	DRK-339N	DRK-339NMK	AK51	DRK-339NAK51	DRK-339NMKAK51
Titan	08-04	Rear - Dana 44	DRK-339N	DRK-339NMK	AK47	DRK-339NAK47	DRK-339NMKAK47
Xterra	04-00	Front - Nissan R180	DRK-385B				
Xterra	15-03	Rear - Dana 44 w/ 12 Bolt Cover	DRK-339N	DRK-339NMK	AK47	DRK-339NAK47	DRK-339NMKAK47
Xterra	04-00	Rear - H233BS	DRK-385D				
Xterra	04-00	Rear - Nissan C200	DRK-385A				
OLDSMOBILE							
88	1957	Rear - 9.3" C axle	DRK-329	DRK-329MK			
98	84-82	Rear - 7.5"/7.6"	DRK-320	DRK-320MK ▲	AK11	DRK-320AK11	DRK-320MKAK11 ▲
98	84-73	Rear - 8.5"/8.6"	DRK-321R	DRK-321RMK ▲			
98	81-77	Rear - 7.5"/7.6"	DRK-320B	DRK-320BMK ▲	AK11	DRK-320BAK11	DRK-320BMKAK11 ▲
98	72-65	Rear - 8.875"	DRK-323A	DRK-323AMK ▲			
98	62-58	Rear - 9.3" C axle	DRK-329	DRK-329MK			
442	70-68	Rear - 8.5" "O"	DRK-321N	DRK-321NMK ▲			
Bravada	04-97	Front - 7.25"	DRK-320K	DRK-320KMK	AK87	DRK-320KAK87	DRK-320KMKAK87
Bravada	96-91	Front - 7.25"	DRK-320A	DRK-320AMK	AK86	DRK-320AAK86	DRK-320AMKAK86

▲ Add "S" suffix to kit number to receive stackable differential shims in kit.

Light Duty Differential Applications

Make/Model	Year	Position/ Ring Gear Size	Standard Kit	Master Kit	Axle Kit	Standard Kit Plus	Master Kit Plus
------------	------	-----------------------------	-----------------	---------------	-------------	----------------------	--------------------

OLDSMOBILE (cont'd)							
Bravada	04-02	Rear - 8"	DRK-320D	DRK-320DMK ▲	AK12	DRK-320DAK12	DRK-320DMKAK12 ▲
Bravada	01-99	Rear - 7.5"/7.6"	DRK-320C	DRK-320CMK ▲	AK11	DRK-320CAK11	DRK-320CMKAK11 ▲
Bravada	98-91	Rear - 7.5"/7.6"	DRK-320	DRK-320MK ▲	AK11	DRK-320AK11	DRK-320MKAK11 ▲
Custom Cruiser	92-80	Rear - 8.5"/8.6"	DRK-321R	DRK-321RMK ▲	AK10	DRK-321RAK10	DRK-321RMKAK10 ▲
Cutlass	81-78	Rear - 7.5"/7.6"	DRK-320	DRK-320MK ▲	AK11	DRK-320AK11	DRK-320MKAK11 ▲
Cutlass	77-71	Rear - 8.5"/8.6"	DRK-321R	DRK-321RMK ▲	AK10	DRK-321RAK10	DRK-321RMKAK10 ▲
Cutlass	70-68	Rear - 8.5" "O"	DRK-321N	DRK-321NMK ▲			
Cutlass	1962	Rear - 9.3" C axle	DRK-329	DRK-329MK			
Cutlass Cruiser	83-82	Rear - 7.5"/7.6"	DRK-320	DRK-320MK ▲	AK11	DRK-320AK11	DRK-320MKAK11 ▲
Cutlass Cruiser	81-80	Rear - 7.5"/7.6"	DRK-320B	DRK-320BMK ▲	AK11	DRK-320BAK11	DRK-320BMKAK11 ▲
Cutlass Supreme	88-82	Rear - 7.5"/7.6"	DRK-320	DRK-320MK ▲	AK11	DRK-320AK11	DRK-320MKAK11 ▲
Cutlass Supreme	81-77	Rear - 7.5"/7.6"	DRK-320B	DRK-320BMK ▲	AK11	DRK-320BAK11	DRK-320BMKAK11 ▲
Cutlass Supreme	77-71	Rear - 8.5"/8.6"	DRK-321R	DRK-321RMK ▲	AK10	DRK-321RAK10	DRK-321RMKAK10 ▲
Cutlass Supreme	70-68	Rear - 8.5" "O"	DRK-321N	DRK-321NMK ▲			
Delta 88	85-82	Rear - 7.5"/7.6"	DRK-320	DRK-320MK ▲	AK10	DRK-320AK10	DRK-320MKAK10 ▲
Delta 88	85-73	Rear - 8.5"/8.6"	DRK-321R	DRK-321RMK ▲	AK10	DRK-321RAK10	DRK-321RMKAK10 ▲
Delta 88	81-77	Rear - 7.5"/7.6"	DRK-320B	DRK-320BMK ▲	AK11	DRK-320BAK11	DRK-320BMKAK11 ▲
Delta 88	72-65	Rear - 8.875"	DRK-323A	DRK-323AMK ▲			
Dynamic	62-58	Rear - 9.3" C axle	DRK-329	DRK-329MK			
F85	72-70	Rear - 8.5"/8.6"	DRK-321R	DRK-321RMK ▲			
F85	70-68	Rear - 8.875"	DRK-323A	DRK-323AMK ▲			
F85	70-64	Rear - 8.2" B-O-P	DRK-321H	DRK-321HMK ▲			
F85	62-61	Rear - 9.3" C axle	DRK-329	DRK-329MK			
Omega	81-75	Rear - 7.5"/7.6"	DRK-320B	DRK-320BMK ▲			
Omega	79-73	Rear - 8.5"/8.6"	DRK-321R	DRK-321RMK ▲			
Starfire	80-75	Rear - 7.5"/7.6"	DRK-320B	DRK-320BMK ▲			
Starfire	62-61	Rear - 9.3" C axle	DRK-329	DRK-329MK			
Super 88	62-57	Rear - 9.3" C axle	DRK-329	DRK-329MK			

PLYMOUTH

Barracuda	74-72	Rear - 8.25"/8.375"	DRK-303	DRK-303MK	AK10	DRK-303AK10	DRK-303MKAK10
Barracuda	74-72	Rear - 8.75" w/1.875" Pin. Shaft O.D.	DRK-301	DRK-301MK			
Barracuda	71-70	Rear - 7.25"	DRK-302	DRK-302MK			
Barracuda	71-70	Rear - 8.25"/8.375"	DRK-303	DRK-303MK	AK10	DRK-303AK10	DRK-303MKAK10
Barracuda	71-70	Rear - 8.75" w/1.875" Pin. Shaft O.D.	DRK-301	DRK-301MK			
Barracuda	71-70	Rear - Dana 60	DRK-331	DRK-331MK			
Barracuda	1969	Rear - 7.25"	DRK-302	DRK-302MK			
Barracuda	1969	Rear - 8.75" w/1.875" Pin. Shaft O.D.	DRK-301	DRK-301MK			
Barracuda	68-64	Rear - 7.25"	DRK-302	DRK-302MK			
Barracuda	68-64	Rear - 8.75" w/1.75" Pin. Shaft O.D.	DRK-300	DRK-300MK			
Belvedere	70-69	Rear - 7.25"	DRK-302	DRK-302MK			
Belvedere	70-69	Rear - 8.25"/8.375"	DRK-303	DRK-303MK	AK10	DRK-303AK10	DRK-303MKAK10
Belvedere	70-69	Rear - 8.75" w/1.875" Pin. Shaft O.D.	DRK-301	DRK-301MK			
Belvedere	70-66	Rear - 7.25"	DRK-302	DRK-302MK			
Belvedere	68-67	Rear - 8.75" w/1.75" Pin. Shaft O.D.	DRK-300	DRK-300MK			
Belvedere	1966	Rear - Dana 60	DRK-331	DRK-331MK			
Belvedere	65-57	Rear - 8.75" w/1.75" Pin. Shaft O.D.	DRK-300	DRK-300MK			

Light Duty Differential Applications

Make/Model	Year	Position/ Ring Gear Size	Standard Kit	Master Kit	Axle Kit	Standard Kit Plus	Master Kit Plus	
PLYMOUTH (cont'd)								
Duster	76-73	Rear - 8.25"/8.375"	DRK-303	DRK-303MK	AK10	DRK-303AK10	DRK-303MKAK10	
Duster	74-70	Rear - 8.75" w/1.875" Pin. Shaft O.D.	DRK-301	DRK-301MK				
Fury	78-74	Rear - 9.25"	DRK-304	DRK-304MK				
Fury	78-70	Rear - 8.25"/8.375"	DRK-303	DRK-303MK	AK10	DRK-303AK10	DRK-303MKAK10	
Fury	73-69	Rear - 8.75" w/1.875" Pin. Shaft O.D.	DRK-301	DRK-301MK				
Fury	68-57	Rear - 8.75" w/1.75" Pin. Shaft O.D.	DRK-300	DRK-300MK				
Gran Fury	89-82	Rear - 7.25"	DRK-302	DRK-302MK				
Gran Fury	89-75	Rear - 8.25"/8.375"	DRK-303	DRK-303MK	AK10	DRK-303AK10	DRK-303MKAK10	
Gran Fury	81-75	Rear - 9.25"	DRK-304	DRK-304MK	AK10	DRK-304AK10	DRK-304MKAK10	
GTX	71-69	Rear - 8.75" w/1.875" Pin. Shaft O.D.	DRK-301	DRK-301MK				
GTX	71-67	Rear - Dana 60	DRK-331	DRK-331MK				
GTX	68-67	Rear - 8.75" w/1.75" Pin. Shaft O.D.	DRK-300	DRK-300MK				
Road Runner	75-74	Rear - 9.25"	DRK-304	DRK-304MK	AK10	DRK-304AK10	DRK-304MKAK10	
Road Runner	75-73	Rear - 8.25"/8.375"	DRK-303	DRK-303MK	AK10	DRK-303AK10	DRK-303MKAK10	
Road Runner	74-69	Rear - 8.75" w/1.875" Pin. Shaft O.D.	DRK-301	DRK-301MK				
Road Runner	72-69	Rear - Dana 60	DRK-331	DRK-331MK				
Road Runner	1968	Rear - 8.75" w/1.75" Pin. Shaft O.D.	DRK-300	DRK-300MK				
Road Runner	1968	Rear - Dana 60	DRK-331	DRK-331MK				
Satellite	74-73	Rear - 9.25"	DRK-304	DRK-304MK	AK10	DRK-304AK10	DRK-304MKAK10	
Satellite	74-69	Rear - 8.25"/8.375"	DRK-303	DRK-303MK	AK10	DRK-303AK10	DRK-303MKAK10	
Satellite	74-69	Rear - 8.75" w/1.875" Pin. Shaft O.D.	DRK-301	DRK-301MK				
Satellite	71-68	Rear - 7.25"	DRK-302	DRK-302MK				
Satellite	1968	Rear - 8.75" w/1.75" Pin. Shaft O.D.	DRK-300	DRK-300MK				
Satellite	67-66	Rear - 7.25"	DRK-302	DRK-302MK				
Satellite	1966	Rear - Dana 60	DRK-331	DRK-331MK				
Trailduster	81-74	Front - Dana 44	DRK-339B	DRK-339BMK				
Trailduster	81-74	Rear - 9.25"	DRK-304	DRK-304MK	AK10	DRK-304AK10	DRK-304MKAK10	
Valiant	76-73	Rear - 8.25"/8.375"	DRK-303	DRK-303MK	AK10	DRK-303AK10	DRK-303MKAK10	
Valiant	76-69	Rear - 7.25"	DRK-302	DRK-302MK				
Valiant	72-69	Rear - 8.75" w/1.875" Pin. Shaft O.D.	DRK-301	DRK-301MK				
Valiant	68-60	Rear - 7.25"	DRK-302	DRK-302MK				
Valiant	68-60	Rear - 8.75" w/1.75" Pin. Shaft O.D.	DRK-300	DRK-300MK				
Volare	80-76	Rear - 7.25"	DRK-302	DRK-302MK				
Volare	80-76	Rear - 8.25"/8.375"	DRK-303	DRK-303MK	AK10	DRK-303AK10	DRK-303MKAK10	
PONTIAC								
Bonneville	86-82	Rear - 7.5"/7.6"	DRK-320	DRK-320MK	▲	AK11	DRK-320AK11	DRK-320MKAK11
Bonneville	81-77	Rear - 7.5"/7.6"	DRK-320B	DRK-320BMK	▲	AK11	DRK-320BAK11	DRK-320BMKAK11
Bonneville	81-73	Rear - 8.5"/8.6"	DRK-321R	DRK-321RMK	▲			
Bonneville	72-65	Rear - 8.875"	DRK-323A	DRK-323AMK	▲	AK10	DRK-323AAK10	DRK-323AMKAK10
Bonneville	62-57	Rear - 9.3" C axle	DRK-329	DRK-329MK				
Catalina	81-77	Rear - 7.5"/7.6"	DRK-320B	DRK-320BMK	▲	AK11	DRK-320BAK11	DRK-320BMKAK11
Catalina	81-73	Rear - 8.5"/8.6"	DRK-321R	DRK-321RMK	▲	AK10	DRK-321RAK10	DRK-321RMKAK10

▲ Add "S" suffix to kit number to receive stackable differential shims in kit.

Light Duty Differential Applications

Make/Model	Year	Position/ Ring Gear Size	Standard Kit	Master Kit	Axle Kit	Standard Kit Plus	Master Kit Plus
PONTIAC (cont'd)							
Catalina	72-65	Rear - 8.2" Axle Shaft w/1.781" Differential Brgs.	DRK-321B	DRK-321BMK ▲			
Catalina	72-65	Rear - 8.875"	DRK-323A	DRK-323AMK ▲			
Catalina	62-57	Rear - 9.3" C axle	DRK-329	DRK-329MK			
Chieftain	58-57	Rear - 9.3" C axle	DRK-329	DRK-329MK			
Firebird	02-99	Rear - 7.5"/7.6"	DRK-320C	DRK-320CMK ▲	AK11	DRK-320CAK11	DRK-320CMKAK11 ▲
Firebird	98-82	Rear - 7.5"/7.6"	DRK-320	DRK-320MK ▲	AK11	DRK-320AK11	DRK-320MKAK11 ▲
Firebird	81-71	Rear - 8.5"/8.6"	DRK-321R	DRK-321RMK ▲	AK11	DRK-321RAK11	DRK-321RMKAK11 ▲
Firebird	81-67	Rear - 8.2" B-O-P	DRK-321H	DRK-321HMK ▲			
Firebird	72-67	Rear - 8.875"	DRK-323A	DRK-323AMK ▲	AK11		
Firebird Trans Am	02-99	Rear - 7.5"/7.6"	DRK-320C	DRK-320CMK ▲	AK11	DRK-320CAK11	DRK-320CMKAK11 ▲
Firebird Trans Am	98-82	Rear - 7.5"/7.6"	DRK-320	DRK-320MK ▲	AK11	DRK-320AK11	DRK-320MKAK11 ▲
Firebird Trans Am	90-85	Rear - Borg Warner 7.75"	DRK-326	DRK-326MK			
Firebird Trans Am	81-71	Rear - 8.5"/8.6"	DRK-321R	DRK-321RMK ▲	AK11	DRK-321RAK11	DRK-321RMKAK11 ▲
Firebird Trans Am	72-67	Rear - 8.875"	DRK-323A	DRK-323AMK ▲	AK11		
Firebird Trans Am	71-67	Rear - 8.2" B-O-P	DRK-321H	DRK-321HMK ▲			
G8	09-08	Rear - 8.25"	DRK-326B	DRK-326BMK	AK56	DRK-326BAK56	DRK-326BMKAK56
GTO	06-04	Rear - 8"	DRK-326A	DRK-326AMK			
GTO	72-65	Rear - 8.875"	DRK-323A	DRK-323AMK ▲			
GTO	71-64	Rear - 8.2" B-O-P	DRK-321H	DRK-321HMK ▲			
Grand Am	80-78	Rear - 7.5"/7.6"	DRK-320	DRK-320MK ▲	AK11	DRK-320AK11	DRK-320MKAK11 ▲
Grand Am	80-73	Rear - 8.5"/8.6"	DRK-321R	DRK-321RMK ▲			
Grand Prix	87-82	Rear - 7.5"/7.6"	DRK-320	DRK-320MK ▲	AK11	DRK-320AK11	DRK-320MKAK11 ▲
Grand Prix	81-78	Rear - 7.5"/7.6"	DRK-320B	DRK-320BMK ▲	AK11	DRK-320BAK11	DRK-320BMKAK11 ▲
Grand Prix	77-71	Rear - 8.5"/8.6"	DRK-321R	DRK-321RMK ▲	AK11	DRK-321RAK11	DRK-321RMKAK11 ▲
Grand Prix	72-70	Rear - 8.875"	DRK-323A	DRK-323AMK ▲			
Grand Prix	1962	Rear - 9.3" C axle	DRK-329	DRK-329MK			
LeMans	81-78	Rear - 7.5"/7.6"	DRK-320B	DRK-320BMK ▲	AK11	DRK-320BAK11	DRK-320BMKAK11 ▲
LeMans	77-71	Rear - 8.5"/8.6"	DRK-321R	DRK-321RMK ▲	AK11	DRK-321RAK11	DRK-321RMKAK11 ▲
LeMans	72-65	Rear - 8.875"	DRK-323A	DRK-323AMK ▲			
Parisienne	86-83	Rear - 7.5"/7.6"	DRK-320	DRK-320MK ▲	AK11	DRK-320AK11	DRK-320MKAK11 ▲
Parisienne	86-83	Rear - 8.5"/8.6"	DRK-321R	DRK-321RMK ▲	AK11	DRK-321RAK11	DRK-321RMKAK11 ▲
Phoenix	79-77	Rear - 7.5"/7.6"	DRK-320B	DRK-320BMK ▲			
Star Chief	62-57	Rear - 9.3" C axle	DRK-329	DRK-329MK			
Safari	89-87	Rear - 7.5"/7.6"	DRK-320	DRK-320MK ▲	AK10	DRK-320AK10	DRK-320MKAK10 ▲
Sunbird	80-76	Rear - 7.5"/7.6"	DRK-320B	DRK-320BMK ▲			
Super Chief	58-57	Rear - 9.3" C axle	DRK-329	DRK-329MK			
Tempest	70-64	Rear - 8.2" B-O-P	DRK-321H	DRK-321HMK ▲			
Tempest	62-61	Rear - 9.3" C axle	DRK-329	DRK-329MK			
Ventura	77-71	Rear - 8.5"/8.6"	DRK-321R	DRK-321RMK ▲	AK11	DRK-321RAK11	DRK-321RMKAK11 ▲
Ventura	61-60	Rear - 9.3" C axle	DRK-329	DRK-329MK			
RAM							
1500	2011	Front - 8"	DRK-305A	DRK-305AMK ▲	AK100	DRK-305AAK100	DRK-305AMKAK100 ▲
1500	2019	Rear - Dana 60 256MM Ring Gear	DRK-331G	DRK-331GMK			
1500	18-11	Rear - 9.25" ZF Axle	DRK-366		AK26	DRK-366AK26	
1500 Classic	2019	Rear - 9.25" ZF Axle	DRK-366		AK26	DRK-366AK26	
2500	18-11	Front - 9.25" AAM axle	DRK-324G	DRK-324GMK ▲	AK57	DRK-324GAK57	DRK-324GMKAK57 ▲
2500	18-14	Rear - 11.5" w/ 2.125" ID Pinion Brg.	DRK-327B	DRK-327BMK	AK30	DRK-327BAK30	DRK-327BMKAK30

LD Differential

Light Duty Differential Applications

Make/Model	Year	Position/ Ring Gear Size	Standard Kit	Master Kit	Axle Kit	Standard Kit Plus	Master Kit Plus
RAM (cont'd)							
2500	14-11	Rear - 11.5" w/ 2.000" ID Pinion Brg.	DRK-327A	DRK-327AMK	AK30	DRK-327AAK30	DRK-327AMKAK30
2500	13-11	Rear - 10.5"	DRK-306	DRK-306MK	AK30	DRK-306AK30	DRK-306MKAK30
3500	18-11	Front - 9.25" AAM axle	DRK-324G	DRK-324GMK ▲	AK57	DRK-324GAK57	DRK-324GMKAK57 ▲
3500	18-16	Rear - 11.8" AAM	DRK-327B	DRK-327BMK1 ⁴⁸	AK13 ⁴⁸	DRK-327BAK13 ⁴⁸	DRK-327BMK1AK13 ⁴⁸
3500	18-14	Rear - 11.5" w/ 2.125" ID Pinion Brg.	DRK-327B	DRK-327BMK	AK30 ⁴⁹	DRK-327BAK30 ⁴⁹	DRK-327BMKAK30 ⁴⁹
3500	18-14	Rear - 11.5" w/ 2.125" ID Pinion Brg.	DRK-327B	DRK-327BMK	AK13 ⁴⁸	DRK-327BAK13 ⁴⁸	DRK-327BMKAK13 ⁴⁸
3500	15-14	Rear - 11.8" AAM	DRK-327C	DRK-327CMK	AK13 ⁴⁸	DRK-327CAK13	DRK-327CMKAK13
3500	14-11	Rear - 11.5" w/ 2.000" ID Pinion Brg.	DRK-327A	DRK-327AMK	AK30 ⁴⁹	DRK-327AAK30 ⁴⁹	DRK-327AMKAK30 ⁴⁹
3500	14-11	Rear - 11.5" w/ 2.000" ID Pinion Brg.	DRK-327A	DRK-327AMK	AK13 ⁴⁸	DRK-327AAK13 ⁴⁸	DRK-327AMKAK13 ⁴⁸
4500	18-11	Front - Magna Steyr 275mm	DRK-365				
4500	18-11	Rear - Dana S110/S111	DRK-434				
5500	18-11	Front - Magna Steyr 275mm	DRK-365				
5500	18-11	Rear - Dana S110/S111	DRK-434				
Dakota	2011	Front - 8.0"	DRK-305	DRK-305MK			
Dakota	2011	Rear - 8.25"	DRK-303B	DRK-303BMK	AK10	DRK-303BAK10	DRK-303BMKAK10
Dakota	2011	Rear - 9.25"	DRK-304A	DRK-304AMK	AK10	DRK-304AAK10	DRK-304AMKAK10
SAAB							
9-7X	09-05	Front - 7.25"	DRK-320K	DRK-320KMK	AK87	DRK-320KAK87	DRK-320KMKAK87
9-7X	2009	Rear - 8.5"/8.6"	DRK-321Q	DRK-321QMK ▲	AK12	DRK-321QAK12	DRK-321QMKAK12 ▲
9-7X	2008	Rear - 9.5"	DRK-324B	DRK-324BMK	AK12	DRK-324BAK12	DRK-324BMKAK12
9-7X	08-05	Rear - 8"	DRK-320D	DRK-320DMK ▲	AK12	DRK-320DAK12	DRK-320DMKAK12 ▲
9-7X	08-05	Rear - 8.5"/8.6"	DRK-321C	DRK-321CMK ▲	AK12	DRK-321CAK12	DRK-321CMKAK12 ▲
SUZUKI							
Equator RMZ-4	12-09	Rear - Dana 44 w/ 12 Bolt Cover	DRK-339N	DRK-339NMK	AK47	DRK-339NAK47	DRK-339NMKAK47
Samurai	95-85	Front - All	DRK-360	DRK-360MK			
Samurai	95-85	Rear - All	DRK-360	DRK-360MK			
TOYOTA							
4 Runner	18-03	Front - 8.0"	DRK-359	DRK-359MK			
4 Runner	02-96	Front - 7.5"	DRK-350A	DRK-350AMK ▲			
4 Runner	95-88	Front - 7.5" IFS	DRK-350A	DRK-350AMK ▲			
4 Runner	87-86	Front - 7.5" IFS	DRK-350	DRK-350MK			
4 Runner	85-84	Front - 8" Solid Axle	DRK-351	DRK-351MK			
4 Runner	18-10	Rear - 8.2" w/ Locking Diff	DRK-383A	DRK-383AMK			
4 Runner	18-10	Rear - 8.2" w/o Locking Diff	DRK-383	DRK-383MK			
4 Runner	09-03	Rear - 8"	DRK-352A	DRK-352AMK			
4 Runner	02-01	Rear - 8"	DRK-352	DRK-352MK	AK35	DRK-352AK35	DRK-352MKAK35
4 Runner	00-96	Rear - 8" 4 Cyl. w/ABS	DRK-352	DRK-352MK	AK34	DRK-352AK34	DRK-352MKAK34
4 Runner	00-96	Rear - 8" 4 Cyl. w/o ABS	DRK-352	DRK-352MK	AK33	DRK-352AK33	DRK-352MKAK33
4 Runner	00-96	Rear - 8" V6 & w/ Locking Diff w/o ABS	DRK-354A	DRK-354AMK	AK33	DRK-354AAK33	DRK-354AMKAK33

⁴⁸With Dual Rear Wheels

⁴⁹With Single Rear Wheels

▲ Add "S" suffix to kit number to receive stackable differential shims in kit.

Light Duty Differential Applications

Make/Model	Year	Position/ Ring Gear Size	Standard Kit	Master Kit	Axle Kit	Standard Kit Plus	Master Kit Plus
TOYOTA (cont'd)							
4 Runner	00-96	Rear - 8" V6 & w/ Locking Diff w/ABS	DRK-354A	DRK-354AMK	AK34	DRK-354AAK34	DRK-354AMKAK34
4 Runner	00-96	Rear - 8" V6 & w/o Locking Diff w/o ABS	DRK-352	DRK-352MK	AK33	DRK-352AK33	DRK-352MKAK33
4 Runner	00-96	Rear - 8" V6 & w/o Locking Diff w/ABS	DRK-352	DRK-352MK	AK34	DRK-352AK34	DRK-352MKAK34
4 Runner	95-90	Rear - 7.5" 4 Cyl. 2WD w/ABS	DRK-350	DRK-350MK	AK34	DRK-350AK34	DRK-350MKAK34
4 Runner	95-90	Rear - 8" 4 Cyl. 4WD w/ABS	DRK-353	DRK-353MK	AK34	DRK-353AK34	DRK-353MKAK34
4 Runner	95-90	Rear - 8" V6 w/ABS	DRK-352	DRK-352MK	AK34	DRK-352AK34	DRK-352MKAK34
4 Runner	95-88	Rear - 7.5" 4 Cyl. 2WD w/o ABS	DRK-350	DRK-350MK	AK33	DRK-350AK33	DRK-350MKAK33
4 Runner	95-88	Rear - 8" 4 Cyl. 4WD w/o ABS	DRK-353	DRK-353MK	AK33	DRK-353AK33	DRK-353MKAK33
4 Runner	95-88	Rear - 8" V6 w/o ABS	DRK-352	DRK-352MK	AK33	DRK-352AK33	DRK-352MKAK33
4 Runner	87-86	Rear - 7.5" 4 Cyl. Non Turbo 2WD	DRK-350	DRK-350MK	AK33	DRK-350AK33	DRK-350MKAK33
4 Runner	87-86	Rear - 8" 4 Cyl. Non Turbo 4WD	DRK-353	DRK-353MK	AK33	DRK-353AK33	DRK-353MKAK33
4 Runner	87-86	Rear - 8" 4 Cyl. Turbo 4WD	DRK-352	DRK-352MK	AK33	DRK-352AK33	DRK-352MKAK33
4 Runner	85-84	Rear - 7.5" 2WD	DRK-350	DRK-350MK	AK33	DRK-350AK33	DRK-350MKAK33
4 Runner	85-84	Rear - 8" 4WD	DRK-351	DRK-351MK	AK33	DRK-351AK33	DRK-351MKAK33
FJ Cruiser	14-07	Front - 8" IFS	DRK-359	DRK-359MK			
FJ Cruiser	14-09	Rear - 8" w/ Locking Diff	DRK-383A	DRK-383AMK			
FJ Cruiser	14-09	Rear - 8" w/o Locking Diff	DRK-383	DRK-383MK			
FJ Cruiser	08-07	Rear - 8" w/ Locking Diff	DRK-354A	DRK-354AMK			
FJ Cruiser	08-07	Rear - 8" w/o Locking Diff	DRK-352A	DRK-352AMK			
Landcruiser	15-08	Front - 9"	DRK-380	DRK-380MK ▲			
Landcruiser	07-98	Front - 8"	DRK-352B	DRK-352BMK			
Landcruiser	97-91	Front - FJ80 w/Locking Differential	DRK-356	DRK-356MK			
Landcruiser	97-91	Front - FJ80 w/Open Differential	DRK-356A	DRK-356AMK			
Landcruiser	90-75	Front - FJ40/60/62 w/ Open Differential	DRK-358	DRK-358MK			
Landcruiser	15-08	Rear - 9.5"	DRK-381	DRK-381MK			
Landcruiser	97-91	Rear - FJ80 w/Locking Differential	DRK-357	DRK-357MK			
Landcruiser	97-91	Rear - FJ80 w/Open Differential	DRK-357A	DRK-357AMK			
Landcruiser	90-75	Rear - FJ40/60/62 w/ Open Differential	DRK-358	DRK-358MK			
Pickup	95-88	Front - 7.5" IFS	DRK-350A	DRK-350AMK ▲			
Pickup	88-86	Front - 7.5" IFS	DRK-350	DRK-350MK			
Pickup	85-84	Front - 8" Solid Axle	DRK-351	DRK-351MK			
Pickup	95-90	Rear - 7.5" 4 Cyl. Non Turbo 2WD w/ABS	DRK-350	DRK-350MK	AK34	DRK-350AK34	DRK-350MKAK34
Pickup	95-90	Rear - 8" 4 Cyl. 4WD w/ABS	DRK-353	DRK-353MK	AK34	DRK-353AK34	DRK-353MKAK34
Pickup	95-90	Rear - 8" V6 w/ABS	DRK-352	DRK-352MK	AK34	DRK-352AK34	DRK-352MKAK34
Pickup	95-89	Rear - 7.5" 4 Cyl. Non Turbo 2WD w/o ABS	DRK-350	DRK-350MK	AK33	DRK-350AK33	DRK-350MKAK33
Pickup	95-89	Rear - 8" 4 Cyl. 4WD w/o ABS	DRK-353	DRK-353MK	AK33	DRK-353AK33	DRK-353MKAK33

LD Differential

Light Duty Differential Applications

Make/Model	Year	Position/ Ring Gear Size	Standard Kit	Master Kit	Axle Kit	Standard Kit Plus	Master Kit Plus
TOYOTA (cont'd)							
Pickup	95-89	Rear - 8" V6 w/o ABS	DRK-352	DRK-352MK	AK33	DRK-352AK33	DRK-352MKAK33
Pickup	1988	Rear - 7.5" 4 Cyl. Non Turbo 2WD	DRK-350	DRK-350MK	AK33	DRK-350AK33	DRK-350MKAK33
Pickup	1988	Rear - 8" 4 Cyl. Non Turbo 4WD	DRK-353	DRK-353MK	AK33	DRK-353AK33	DRK-353MKAK33
Pickup	1988	Rear - 8" 4 Cyl. Turbo 4WD	DRK-352	DRK-352MK	AK33	DRK-352AK33	DRK-352MKAK33
Pickup	1988	Rear - 8" V6	DRK-352	DRK-352MK	AK33	DRK-352AK33	DRK-352MKAK33
Pickup	87-86	Rear - 7.5" 4 Cyl. Non Turbo 2WD	DRK-350	DRK-350MK	AK33	DRK-350AK33	DRK-350MKAK33
Pickup	87-86	Rear - 8" 4 Cyl. Non Turbo 4WD	DRK-353	DRK-353MK	AK33	DRK-353AK33	DRK-353MKAK33
Pickup	87-86	Rear - 8" 4 Cyl. Turbo 4WD	DRK-352	DRK-352MK	AK33	DRK-352AK33	DRK-352MKAK33
Pickup	85-84	Rear - 7.5" 2WD	DRK-350	DRK-350MK	AK33	DRK-350AK33	DRK-350MKAK33
Pickup	85-84	Rear - 8" 4WD	DRK-351	DRK-351MK	AK33	DRK-351AK33	DRK-351MKAK33
Pickup	83-79	Rear - 7.5"	DRK-350	DRK-350MK	AK33	DRK-350AK33	DRK-350MKAK33
Sequoia	18-08	Front - 9"	DRK-380	DRK-380MK ▲			
Sequoia	07-01	Front - 7.5" IFS	DRK-350A	DRK-350AMK ▲			
Sequoia	18-08	Rear - 10.5"	DRK-382A	DRK-382AMK ▲			
Sequoia	07-01	Rear - 8.4"	DRK-355	DRK-355MK			
Supra	95-87	Rear - 7.5" w/o Turbo	DRK-350	DRK-350MK			
T100	98-93	Front - 7.5" IFS	DRK-350A	DRK-350AMK ▲			
T100	98-93	Rear - 8.4" w/ABS	DRK-355	DRK-355MK	AK34	DRK-355AK34	DRK-355MKAK34
T100	98-93	Rear - 8.4" w/o ABS	DRK-355	DRK-355MK	AK33	DRK-355AK33	DRK-355MKAK33
Tacoma	18-05	Front - 8" IFS	DRK-359	DRK-359MK			
Tacoma	04-95	Front - 7.5" IFS	DRK-350A	DRK-350AMK ▲			
Tacoma	18-16	Rear - 8.2" w/ Locking Diff	DRK-383A	DRK-383AMK			
Tacoma	18-16	Rear - 8.2" w/o Locking Diff	DRK-383	DRK-383MK			
Tacoma	18-16	Rear - 8.75" w/ Locking Diff	DRK-384A	DRK-384AMK			
Tacoma	18-16	Rear - 8.75" w/o Locking Diff	DRK-384	DRK-384MK			
Tacoma	15-10	Rear - 8" w/ Locking Diff	DRK-354B	DRK-354BMK			
Tacoma	15-05	Rear - 8.4" w/o Locking Diff	DRK-355	DRK-355MK			
Tacoma	09-02	Rear - 8" w/ Locking Diff	DRK-354A	DRK-354AMK	AK35	DRK-354AAK35	DRK-354AMKAK35
Tacoma	06-95	Rear - 7.5"	DRK-350	DRK-350MK	AK34	DRK-350AK34	DRK-350MKAK34
Tacoma	04-03	Rear - 8.4" w/o Locking Diff	DRK-355	DRK-355MK	AK35	DRK-355AK35	DRK-355MKAK35
Tacoma	2001	Rear - 8" w/ Locking Diff	DRK-354A	DRK-354AMK	AK35	DRK-354AAK35	DRK-354AMKAK35
Tacoma	2001	Rear - 8.4" w/o Locking Diff	DRK-355	DRK-355MK	AK35	DRK-355AK35	DRK-355MKAK35
Tacoma	00-96	Rear - 8" w/ Locking Diff w/ABS	DRK-354A	DRK-354AMK	AK34	DRK-354AAK34	DRK-354AMKAK34
Tacoma	00-96	Rear - 8" w/ Locking Diff w/o ABS	DRK-354A	DRK-354AMK	AK33	DRK-354AAK33	DRK-354AMKAK33
Tacoma	00-96	Rear - 8.4" w/o Locking Diff w/o ABS	DRK-355	DRK-355MK	AK33	DRK-355AK33	DRK-355MKAK33
Tacoma	00-96	Rear - 8.4" w/o Locking Diff w/ABS	DRK-355	DRK-355MK	AK34	DRK-355AK34	DRK-355MKAK34
Tacoma	1995	Rear - 8.4" w/o Locking Diff w/o ABS	DRK-355	DRK-355MK	AK33	DRK-355AK33	DRK-355MKAK33

▲ Add "S" suffix to kit number to receive stackable differential shims in kit.

Light Duty Differential Applications



Make/Model	Year	Position/ Ring Gear Size	Standard Kit	Master Kit	Axle Kit	Standard Kit Plus	Master Kit Plus
TOYOTA (cont'd)							
Tacoma	1995	Rear - 8.4" w/o Locking Diff w/ABS	DRK-355	DRK-355MK	AK34	DRK-355AK34	DRK-355MKAK34
Tundra	18-07	Front - 9"	DRK-380	DRK-380MK ▲			
Tundra	06-00	Front - 7.5" IFS	DRK-350A	DRK-350AMK ▲			
Tundra	18-07	Rear - 10.5"	DRK-382	DRK-382MK ▲			
Tundra	18-07	Rear - 9.5"	DRK-381	DRK-381MK			
Tundra	06-00	Rear - 8.4"	DRK-355	DRK-355MK	AK35	DRK-355AK35	DRK-355MKAK35

LD Differential

Light Duty Differential Rebuild Kits

AK6		
Position	Part Number	Qty
Axle Shaft Brg. (Inner)	28682-28622	2
Axle Shaft Brg. (Outer)	LM104949-LM104911	2
Axle Shaft Seal	417158 (2.875x3.876)	2
Axle Shaft Seal	455086 (3.000x4.250)	2

AK10		
Position	Part Number	Qty
Axle Shaft Brg.	R1559TV	2
Axle Shaft Seal	8835S (1.618x2.575)	2

AK11		
Position	Part Number	Qty
Axle Shaft Brg.	R1563TAV	2
Axle Shaft Seal	8660S (1.399x2.292)	2

AK12		
Position	Part Number	Qty
Axle Shaft Brg.	513067	2
Axle Shaft Seal	4762N (1.618x2.841)	2

AK13		
Position	Part Number	Qty
Axle Shaft Brg. (Inner)	45291-45220	2
Axle Shaft Brg. (Outer)	LM104949-LM104911	2
Axle Shaft Seal	710563 (72.5x108)	2

AK14		
Position	Part Number	Qty
Axle Shaft Brg.	513023	2
Axle Shaft Seal	4795V (1.399x2.482)	2

AK15		
Position	Part Number	Qty
Axle Shaft Brg.	R1561TV	2
Axle Shaft Seal	100357 (1.705x3.034)	2

AK16		
Position	Part Number	Qty
Axle Shaft Brg.	R1561TV	2
Axle Shaft Seal	710105 (1.705x3.080)	2

AK17		
Position	Part Number	Qty
Axle Shaft Brg.	R1561TV	2
Axle Shaft Seal	8835S (1.618x2.575)	2

AK18		
Position	Part Number	Qty
Axle Shaft Brg.	LM104949-LM104911	4
Axle Shaft Seal	4250 (2.500x3.303)	2

AK21		
Position	Part Number	Qty
Axle Shaft Brg. (Inner)	387AS-382A	2
Axle Shaft Brg. (Outer)	LM104949-LM104911	2
Axle Shaft Seal	2081 (2.843x3.939)	2

AK22		
Position	Part Number	Qty
Axle Shaft Brg.	R1561TV	2
Axle Shaft Seal	710067 (1.703x3.030)	2

AK23		
Position	Part Number	Qty
Axle Shaft Brg. (Inner)	387AS-382A	2
Axle Shaft Brg. (Outer)	LM104949-LM104911	2
Axle Shaft Seal	9864S (2.875x3.875)	2

AK24		
Position	Part Number	Qty
Axle Shaft Brg.	A9	2
Axle Shaft Seal	710179 (42x64.8)	2

AK25		
Position	Part Number	Qty
Axle Shaft Brg.	R1563TAV	2
Axle Shaft Seal (With Axle Code "C")	710166 (1.399x2.290)	2
Axle Shaft Seal (With Axle Code "K")	8660S (1.399x2.292)	2

AK26		
Position	Part Number	Qty
Axle Shaft Brg.	6410	2
Axle Shaft Seal	710498 (1.700x2.559)	2

AK27		
Position	Part Number	Qty
Axle Shaft Brg.	207	2
Axle Shaft Seal	DS48675	2

AK29		
Position	Part Number	Qty
Axle Shaft Brg. (Inner)	387AS-382A	2
Axle Shaft Brg. (Outer)	LM104949-LM104911	2
Axle Shaft Seal	710568 (2.854x3.932)	2

AK30		
Position	Part Number	Qty
Axle Shaft Brg. (Inner)	28682-28622	2
Axle Shaft Brg. (Outer)	LM104949-LM104911	2
Axle Shaft Seal	710564 (72.5x98.5)	2

AK33		
Position	Part Number	Qty
Axle Shaft Brg.	RW130R	2
Axle Shaft Seal (Inner)	1960 (50x70)	2
Axle Shaft Seal (Outer)	1956 (48x62)	2

AK34		
Position	Part Number	Qty
Axle Shaft Brg.	511021	2
Axle Shaft Seal (Inner)	1960 (50x70)	2
Axle Shaft Seal (Outer)	1956 (48x62)	2

AK35		
Position	Part Number	Qty
Axle Shaft Brg.	511031	2
Axle Shaft Seal (Inner)	1960 (50x70)	2
Axle Shaft Seal (Outer)	710574 (54x64)	2

AK36		
Position	Part Number	Qty
Axle Shaft Brg.	FC66998	2
Axle Shaft Seal	100537V (46x73)	2

AK37		
Position	Part Number	Qty
Axle Shaft Brg.	A9	2
Axle Shaft Seal	712146 (1.687x2.560)	2

AK38		
Position	Part Number	Qty
Axle Shaft Brg.	513067	2
Axle Shaft Seal	8835S (1.618x2.575)	2

AK39		
Position	Part Number	Qty
Axle Shaft Brg.	BH2212	2
Axle Shaft Seal	5872S (1.375x2.000)	2

AK40		
Position	Part Number	Qty
Axle Shaft Brg.	JLM603048F-JLM603013Z	4
Axle Shaft Seal (Inner)	470547 (2.882x3.431)	2
Axle Shaft Seal (Outer)	3942 (2.500x3.226)	2

AK41		
Position	Part Number	Qty
Axle Shaft Brg.	R1563TAV	1
Axle Shaft Seal (Left)	710043 (1.301x2.620)	1
Axle Shaft Seal (Right)	DS40773 (1.399x2.250)	1

AK42		
Position	Part Number	Qty
Axle Shaft Brg. (Inner)	387AS-382A	2
Axle Shaft Brg. (Outer)	LM104949-LM104911	2
Axle Shaft Seal	35009N (2.750x3.876)	2

AK43		
Position	Part Number	Qty
Axle Shaft Brg.	R1563TAV	2
Axle Shaft Seal	4857 (1.400x2.282)	2

AK44		
Position	Part Number	Qty
Axle Shaft Brg. (Inner)	NP080525-NP543803	2
Axle Shaft Brg. (Outer)	NP622157-NP382209	2
Axle Shaft Seal	SL260069	2

AK45		
Position	Part Number	Qty
Axle Shaft Brg. (Inner)	NP706218-NP910345	2
Axle Shaft Brg. (Outer)	NP706218-NP910345	2
Axle Shaft Seal	710568 (2.854x3.932)	2
Hub Gasket For Full Float	40000014	2

AK46		
Position	Part Number	Qty
Axle Shaft Brg. (Inner)	382A-387AS	2
Axle Shaft Brg. (Outer)	LM104949-LM104911	2
Axle Shaft Seal	370247A (2.955x3.875)	2

AK47		
Position	Part Number	Qty
Axle Shaft Brg.	A10	2
Axle Shaft Seal (Inner)	51098 (1.500x2.502)	2
Axle Shaft Seal (Outer)	9912 (1.875x2.877)	2

AK48		
Position	Part Number	Qty
Axle Shaft Brg. (Inner)	NP064306-NP114036	2
Axle Shaft Brg. (Outer)	LM104949-LM104911	2
Axle Shaft Seal	370247-A	2

AK49		
Position	Part Number	Qty
Axle Shaft Brg.	A9	2
Axle Shaft Seal (Inner)	473214 (1.375x2.250)	2
Axle Shaft Seal (Outer)	2146 (1.687x2.560)	2

AK51		
Position	Part Number	Qty
Axle Shaft Brg.	SET80	2
Axle Shaft Seal	710851 (54x80)	2

AK52		
Position	Part Number	Qty
Axle Shaft Seal	710068 (1.190x2.122)	2

AK53		
Position	Part Number	Qty
Axle Shaft Seal	DS54381 (1.223x2.128)	2

AK54		
Position	Part Number	Qty
Axle Shaft Seal	710888 (50x75)	2

AK55		
Position	Part Number	Qty
Axle Shaft Seal	710864	2

AK56		
Position	Part Number	Qty
Axle Shaft Seal (Left)	92191956	1
Axle Shaft Seal (Right)	92191957	1

AK57		
Position	Part Number	Qty
Axle Shaft Seal	40011965	2

AK58		
Position	Part Number	Qty
Axle Shaft Brg.	513067	2
Axle Shaft Seal	23490372	2

AK59		
Position	Part Number	Qty
Axle Shaft Brg. (Inner)	NP706218-NP910345	2
Axle Shaft Brg. (Outer)	NP145100-NP913325	2
Axle Shaft Seal	710568 (2.854x3.932)	2

LD Differential

Light Duty Differential Rebuild Kits



LD Differential

AK81		
Position	Part Number	Qty
Axle Shaft Brg.	SCH78	1
Axle Shaft Brg.	BH208	1
Axle Shaft Brg.	J2010	2
Axle Shaft Seal	710101 (1.250x2.398)	2

AK83		
Position	Part Number	Qty
Front Axle Clutch Shaft Brg.	SCH78	1
Front Axle Shaft Outer Brg.	BH208	1
Front Axle Shaft Inner Brg.	J2010	2
Axle Shaft Seal	710475	2

AK84		
Position	Part Number	Qty
Front Axle Shaft Inner Brg.	J2010	1
Front Axle Shaft Outer Brg.	BH208	1
Axle Shaft Seal	710475	2

AK85		
Position	Part Number	Qty
Axle Shaft Brg.	HK4012	2
Axle Shaft Seal	710548 (40x69)	2

AK86		
Position	Part Number	Qty
Front Axle Clutch Shaft Brg.	SCH78	2
Front Axle Shaft Inner Brg.	J2010	1
Front Axle Shaft Outer Brg.	HK4012	2
Axle Shaft Seal	710491 (40x69)	2

AK87		
Position	Part Number	Qty
Axle Shaft Brg. (Inner)	BH208	1
Axle Shaft Brg. (Outer)	HK4012	4
Axle Shaft Seal (Left)	40050495	1
Axle Shaft Seal (Right)	710688 (31.6x75)	1
Output Shaft Seal	710475	1
Disconnect Seal	710686 (40x69)	1

AK88		
Position	Part Number	Qty
Axle Shaft Brg.	FC66998	2
Front Axle Shaft Inner Brg.	HK1816B	1
Front Axle Shaft Outer Brg.	HK4012	1
Axle Shaft Seal	SL260030	2

AK89		
Position	Part Number	Qty
Axle Shaft Brg.	BH2212	2
Axle Shaft Seal	710429 (1.380x2.288)	2

AK90		
Position	Part Number	Qty
Axle Shaft Brg.	FC66998	2
Axle Shaft Seal	714569 (1.574x2.410)	2

AK91		
Position	Part Number	Qty
Axle Shaft Brg.	FC66998	2
Front Axle Shaft Inner Brg.	HK1816B	1
Front Axle Shaft Outer Brg.	HK4012	1
Axle Shaft Seal	SL260013 (44.5x73)	2

AK92		
Position	Part Number	Qty
Front Axle Shaft Pilot Brg.	SCH78	1
Front Axle Shaft Inner Brg.	B2610	2
Front Axle Shaft Outer Brg.	B2410	1
Axle Shaft Seal	710497 (41x61)	2
Axle Shaft Seal	710102 (1.625x2.400)	2

AK93		
Position	Part Number	Qty
Axle Shaft Brg.(Left)	B268	1
Axle Shaft Brg.(Right)	R1563TAV	1
Axle Shaft Seal (Left)	710429 (1.380x2.288)	1
Axle Shaft Seal (Right)	710428 (1.750x2.621)	1

AK94		
Position	Part Number	Qty
Axle Shaft Brg.	B2110	2
Axle Shaft Seal (Inner)	710492 (1.551x2.628)	2
Axle Shaft Seal (Outer)	710493 (2.750x4.500)	2

AK95		
Position	Part Number	Qty
Front Axle Clutch Shaft Brg.	SCH78	1
Axle Shaft Brg.(Left)	B2012	1
Axle Shaft Brg.(Right)	B2012	1
Axle Shaft Brg. (Inner)	B2012	1
Axle Shaft Seal	710101 (1.250x2.398)	2

AK97		
Position	Part Number	Qty
Axle Shaft Brg.	R1563TAV	1
Axle Shaft Seal (Right)	470672	1
Axle Shaft Seal (Left)	710043	1

AK98		
Position	Part Number	Qty
Axle Shaft Brg.	BH2212	1
Axle Shaft Seal (Right)	710065	1
Axle Shaft Seal (Left)	3543	1

AK99		
Position	Part Number	Qty
Axle Shaft Brg.(Left)	B228	1
Axle Shaft Brg.(Right)	B5020	1
Axle Shaft Seal	710489	2

AK100		
Position	Part Number	Qty
Axle Shaft Brg.(Left)	B228	1
Axle Shaft Brg.(Right)	B5020	1
Axle Shaft Brg.(Left)	710489	1
Axle Shaft Seal (Right)	52114377AC	1

AK101		
Position	Part Number	Qty
Axle Shaft Brg.	R1563TAV	2
Axle Shaft Seal	13704	2

AK102		
Position	Part Number	Qty
Front Axle Shaft Pilot Brg.	SCH78	1
Axle Shaft Brg.	J2610	3
Axle Shaft Seal	40127950	2

AK103		
Position	Part Number	Qty
Axle Shaft Brg.	SET80	2
Axle Shaft Seal	10026762	2

AK104		
Position	Part Number	Qty
Axle Shaft Brg.	SET10	2
Axle Shaft Seal	2021013	2

WK6		
Position	Part Number	Qty
Axle Shaft Brg. (Inner)	28682-28622	1
Axle Shaft Brg. (Outer)	LM104949-LM104911	1
Axle Shaft Seal	417158 (2.875x3.876)	1
Axle Shaft Seal	455086 (3.000x4.250)	1

WK10		
Position	Part Number	Qty
Axle Shaft Brg.	R1559TV	1
Axle Shaft Seal	8835S (1.618x2.575)	1

WK11		
Position	Part Number	Qty
Axle Shaft Brg.	R1563TAV	1
Axle Shaft Seal	8660S (1.399x2.292)	1

WK12		
Position	Part Number	Qty
Axle Shaft Brg.	513067	1
Axle Shaft Seal	4762N (1.618x2.841)	1

WK13		
Position	Part Number	Qty
Axle Shaft Brg. (Inner)	45291-45220	1
Axle Shaft Brg. (Outer)	LM104949-LM104911	1
Axle Shaft Seal	710563 (72.5x108)	1

WK14		
Position	Part Number	Qty
Axle Shaft Brg.	513023	1
Axle Shaft Seal	4795V (1.399x2.482)	1

WK15		
Position	Part Number	Qty
Axle Shaft Brg.	R1561TV	1
Axle Shaft Seal	100357 (1.705x3.034)	1

WK16		
Position	Part Number	Qty
Axle Shaft Brg.	R1561TV	1
Axle Shaft Seal	710105 (1.705x3.080)	1

WK17		
Position	Part Number	Qty
Axle Shaft Brg.	R1561TV	1
Axle Shaft Seal	8835S (1.618x2.575)	1

WK18		
Position	Part Number	Qty
Axle Shaft Brg.	LM104949-LM104911	2
Axle Shaft Seal	4250 (2.500x3.303)	1

WK21		
Position	Part Number	Qty
Axle Shaft Brg. (Inner)	387AS-387A	1
Axle Shaft Brg. (Outer)	LM104949-LM104911	1
Axle Shaft Seal	2081 (2.843x3.939)	1

WK22		
Position	Part Number	Qty
Axle Shaft Brg.	R1561TV	1
Axle Shaft Seal	710067 (1.703x3.030)	1

WK23		
Position	Part Number	Qty
Axle Shaft Brg. (Inner)	387AS-382A	1
Axle Shaft Brg. (Outer)	LM104949-LM104911	1
Axle Shaft Seal	9864S (2.875x3.875)	1

WK24		
Position	Part Number	Qty
Axle Shaft Brg.	A9	1
Axle Shaft Seal	710179 (42x64.8)	1

WK25		
Position	Part Number	Qty
Axle Shaft Brg.	R1563TAV	1
Axle Shaft Seal (With Axle Code "C")	710166 (1.399x2.290)	1
Axle Shaft Seal (With Axle Code "K")	8660S (1.399x2.292)	1

Light Duty Differential Rebuild Kits

WK26		
Position	Part Number	Qty
Axle Shaft Brg.	6410	1
Axle Shaft Seal	710498 (1.700x2.559)	1

WK27		
Position	Part Number	Qty
Axle Shaft Brg.	207	1
Axle Shaft Seal	DS48675	1

WK29		
Position	Part Number	Qty
Axle Shaft Brg. (Inner)	387AS-382A	1
Axle Shaft Brg. (Outer)	LM104949-LM104911	1
Axle Shaft Seal	710568 (2.854x3.932)	1

WK30		
Position	Part Number	Qty
Axle Shaft Brg. (Outer)	LM104949-LM104911	1
Axle Shaft Brg. (Inner)	28682-28622	1
Axle Shaft Seal	710564 (72.5x98.5)	1

WK33		
Position	Part Number	Qty
Axle Shaft Brg.	RW130R	1
Axle Shaft Seal (Inner)	1960 (50x70)	1
Axle Shaft Seal (Outer)	1956 (48x62)	1

WK34		
Position	Part Number	Qty
Axle Shaft Brg.	511021	1
Axle Shaft Seal (Inner)	1960 (50x70)	1
Axle Shaft Seal (Outer)	1956 (48x62)	1

WK35		
Position	Part Number	Qty
Axle Shaft Brg.	511031	1
Axle Shaft Seal (Inner)	1960 (50x70)	1
Axle Shaft Seal (Outer)	710574 (54x64)	1

WK36		
Position	Part Number	Qty
Axle Shaft Brg.	FC66998	1
Axle Shaft Seal	100537V (46x73)	2

WK37		
Position	Part Number	Qty
Axle Shaft Brg.	A9	1
Axle Shaft Seal	712146 (1.687x2.560)	1

WK38		
Position	Part Number	Qty
Axle Shaft Brg.	513067	1
Axle Shaft Seal	8835S (1.618x2.575)	1

WK40		
Position	Part Number	Qty
Axle Shaft Brg.	JLM603048F-JLM603013Z	2
Axle Shaft Seal (Inner)	470547 (2.882x3.431)	1
Axle Shaft Seal (Outer)	3942 (2.500x3.226)	1

WK42		
Position	Part Number	Qty
Axle Shaft Brg. (Inner)	387AS-382A	1
Axle Shaft Brg. (Outer)	LM104949-LM104911	1
Axle Shaft Seal	35009N (2.750x3.876)	1

WK43		
Position	Part Number	Qty
Axle Shaft Brg.	R1563TAV	1
Axle Shaft Seal	4857 (1.400x2.282)	1

WK44		
Position	Part Number	Qty
Axle Shaft Brg. (Inner)	NP080525-NP543803	1
Axle Shaft Brg. (Outer)	NP622157-NP382209	1
Axle Shaft Seal	SL260069	1

WK45		
Position	Part Number	Qty
Axle Shaft Brg. (Inner)	NP706218-NP910345	1
Axle Shaft Brg. (Outer)	NP706218-NP910345	1
Axle Shaft Seal	710568 (2.854x3.932)	1
Hub Gasket For Full Float	40000014	1

WK46		
Position	Part Number	Qty
Axle Shaft Brg. (Inner)	382A-387AS	1
Axle Shaft Brg. (Outer)	LM104949-LM104911	1
Axle Shaft Seal	370247A (2.955x3.875)	1

WK47		
Position	Part Number	Qty
Axle Shaft Brg.	A10	1
Axle Shaft Seal (Inner)	51098 (1.500x2.502)	1
Axle Shaft Seal (Outer)	9912 (1.875x2.877)	1

WK48		
Position	Part Number	Qty
Axle Shaft Brg. (Inner)	NP064306-NP114036	1
Axle Shaft Brg. (Outer)	LM104949-LM104911	1
Axle Shaft Seal	370247-A	1

WK49		
Position	Part Number	Qty
Axle Shaft Brg.	A9	1
Axle Shaft Seal (Inner)	473214(1.375x2.250)	1
Axle Shaft Seal (Outer)	2146 (1.687x2.560)	1

WK51		
Position	Part Number	Qty
Axle Shaft Brg.	SET80	1
Axle Shaft Seal	710851 (54x80)	1

WK58		
Position	Part Number	Qty
Axle Shaft Brg.	513067	1
Axle Shaft Seal	23490372	1

WK59		
Position	Part Number	Qty
Axle Shaft Brg. (Inner)	NP706218-NP910345	1
Axle Shaft Brg. (Outer)	NP145100-NP913325	1
Axle Shaft Seal	710568 (2.854x3.932)	1

WK101		
Position	Part Number	Qty
Axle Shaft Brg.	R1563TAV	1
Axle Shaft Seal	13704	1

DRK-300		
Position	Part Number	Qty
Differential Brg.	25590-25520	2
Pinion Head Brg.	HM803149-HM803110	1
Pinion Tail Brg.	HM89443-HM89410	1
Pinion Seal	7216 (1.875x3.105)	1
Pinion Nut	PN8-F	1
Gear Marking & Brush	GMC1-BR1	1
Threadlocker	TL1	1
Sealer	RTV Silicone	1

DRK-300MK		
Position	Part Number	Qty
Differential Brg.	25590-25520	2
Pinion Head Brg.	HM803149-HM803110	1
Pinion Tail Brg.	HM89443-HM89410	1
Pinion Seal	7216 (1.875x3.105)	1
Pinion Nut	PN8-F	1
Gear Marking & Brush	GMC1-BR1	1
Threadlocker	TL1	1
Sealer	RTV Silicone	1
Pinion Brg. Shims	SK2	1
Pinion Depth Shims	SK1	1
Ring Gear Bolts	RGB1	12

DRK-301		
Position	Part Number	Qty
Differential Brg.	LM104949-LM104912	2
Pinion Head Brg.	M804049-M804010	1
Pinion Tail Brg.	M88048-M88010	1
Pinion Seal	5126 (1.875x2.813)	1
Crush Sleeve	CS301	1
Pinion Nut	PN8-F	1
Pinion Nut	PN3	1
Gear Marking & Brush	GMC1-BR1	1
Threadlocker	TL1	1
Sealer	RTV Silicone	1

DRK-301MK		
Position	Part Number	Qty
Differential Brg.	LM104949-LM104912	2
Pinion Head Brg.	M804049-M804010	1
Pinion Tail Brg.	M88048-M88010	1
Pinion Seal	5126 (1.875x2.813)	1
Crush Sleeve	CS301	1
Pinion Nut	PN8-F	1
Pinion Nut	PN3	1
Gear Marking & Brush	GMC1-BR1	1
Threadlocker	TL1	1
Sealer	RTV Silicone	1
Pinion Depth Shims	SK3	1
Ring Gear Bolts	RGB1	12

DRK-301A		
Position	Part Number	Qty
Differential Brg.	LM104949-LM104912	2
Pinion Head Brg.	HM89446-HM89410	1
Pinion Tail Brg.	M88048-M88010	1
Pinion Seal	5126 (1.875x2.813)	1
Crush Sleeve	CS301	1
Pinion Nut	PN8-F	1
Pinion Nut	PN3	1
Gear Marking & Brush	GMC1-BR1	1
Threadlocker	TL1	1
Sealer	RTV Silicone	1

DRK-301AMK		
Position	Part Number	Qty
Differential Brg.	LM104949-LM104912	2
Pinion Head Brg.	HM89446-HM89410	1
Pinion Tail Brg.	M88048-M88010	1
Pinion Seal	5126 (1.875x2.813)	1
Crush Sleeve	CS301	1
Pinion Nut	PN8-F	1
Pinion Nut	PN3	1
Gear Marking & Brush	GMC1-BR1	1
Threadlocker	TL1	1
Sealer	RTV Silicone	1
Pinion Depth Shims	SK3	1
Ring Gear Bolts	RGB1	12

DRK-302		
Position	Part Number	Qty
Differential Brg.	LM501349-LM501310	2
Pinion Head Brg.	HM88649-HM88610	1
Pinion Tail Brg.	M86649-M86610	1
Pinion Seal	8516N (1.687x2.623)	1
Crush Sleeve	CS310	1
Pinion Nut	PN3	1
Gear Marking & Brush	GMC1-BR1	1
Threadlocker	TL1	1
Sealer	RTV Silicone	1

LD Differential

Light Duty Differential Rebuild Kits



LD Differential

DRK-302MK

Position	Part Number	Qty
Differential Brg.	LM501349-LM501310	2
Pinion Head Brg.	HM88649-HM88610	1
Pinion Tail Brg.	M86649-M86610	1
Pinion Seal	8516N (1.687x2.623)	1
Crush Sleeve	CS310	1
Pinion Nut	PN3	1
Gear Marking & Brush	GMC1-BR1	1
Threadlocker	TL1	1
Sealer	RTV Silicone	1
Pinion Depth Shims	SK12	1
Ring Gear Bolts	RGB1	8

DRK-303

Position	Part Number	Qty
Differential Brg.	LM603049-LM603012	2
Pinion Head Brg.	M802048-M802011	1
Pinion Tail Brg.	M86649-M86610	1
Pinion Seal	8516N (1.687x2.623)	1
Crush Sleeve	CS310	1
Pinion Nut	PN3	1
Gear Marking & Brush	GMC1-BR1	1
Threadlocker	TL1	1
Sealer	RTV Silicone	1

DRK-303MK

Position	Part Number	Qty
Differential Brg.	LM603049-LM603012	2
Pinion Head Brg.	M802048-M802011	1
Pinion Tail Brg.	M86649-M86610	1
Pinion Seal	8516N (1.687x2.623)	1
Crush Sleeve	CS310	1
Pinion Nut	PN3	1
Gear Marking & Brush	GMC1-BR1	1
Threadlocker	TL1	1
Sealer	RTV Silicone	1
Pinion Depth Shims	SK4	1
Ring Gear Bolts	RGB1	10

DRK-303A

Position	Part Number	Qty
Differential Brg.	LM603049-LM603012	2
Pinion Head Brg.	M802048-M802011	1
Pinion Tail Brg.	M86649-M86610	1
Pinion Seal	5126 (1.875x2.813)	1
Crush Sleeve	CS310	1
Pinion Nut	PN3	1
Gear Marking & Brush	GMC1-BR1	1
Threadlocker	TL1	1
Sealer	RTV Silicone	1

DRK-303AMK

Position	Part Number	Qty
Differential Brg.	LM603049-LM603012	2
Pinion Head Brg.	M802048-M802011	1
Pinion Tail Brg.	M86649-M86610	1
Pinion Seal	5126 (1.875x2.813)	1
Crush Sleeve	CS310	1
Pinion Nut	PN3	1
Gear Marking & Brush	GMC1-BR1	1
Threadlocker	TL1	1
Sealer	RTV Silicone	1
Pinion Depth Shims	SK4	1
Ring Gear Bolts	RGB1	10

DRK-303B

Position	Part Number	Qty
Differential Brg.	LM603049-LM603012	2
Pinion Head Brg.	M802048-M802011	1
Pinion Tail Brg.	M86649-M86610	1
Pinion Seal	710480 (44x66.4)	1
Pinion Seal	8516N (1.687x2.623)	1
Crush Sleeve	CS310	1
Pinion Nut	PN3	1
Gear Marking & Brush	GMC1-BR1	1
Threadlocker	TL1	1
Sealer	RTV Silicone	1

DRK-303BMK

Position	Part Number	Qty
Differential Brg.	LM603049-LM603012	2
Pinion Head Brg.	M802048-M802011	1
Pinion Tail Brg.	M86649-M86610	1
Pinion Seal	710480 (44x66.4)	1
Pinion Seal	8516N (1.687x2.623)	1
Crush Sleeve	CS310	1
Pinion Nut	PN3	1
Gear Marking & Brush	GMC1-BR1	1
Threadlocker	TL1	1
Sealer	RTV Silicone	1
Pinion Depth Shims	SK4	1
Ring Gear Bolts	RGB1	10

DRK-304

Position	Part Number	Qty
Differential Brg.	JLM704649-JLM704610	2
Pinion Head Brg.	M804049-M804010	1
Pinion Tail Brg.	M88048-M88010	1
Pinion Seal	5126 (1.875x2.813)	1
Crush Sleeve	CS303	1
Pinion Nut	PN3	1
Gear Marking & Brush	GMC1-BR1	1
Threadlocker	TL1	1
Sealer	RTV Silicone	1

DRK-304MK

Position	Part Number	Qty
Differential Brg.	JLM704649-JLM704610	2
Pinion Head Brg.	M804049-M804010	1
Pinion Tail Brg.	M88048-M88010	1
Pinion Seal	5126 (1.875x2.813)	1
Crush Sleeve	CS303	1
Pinion Nut	PN3	1
Gear Marking & Brush	GMC1-BR1	1
Threadlocker	TL1	1
Sealer	RTV Silicone	1
Pinion Depth Shims	SK3	1
Ring Gear Bolts	RGB2	12

DRK-304A

Position	Part Number	Qty
Differential Brg.	JLM704649-JLM704610	2
Pinion Head Brg.	NP524102-NP912904	1
Pinion Tail Brg.	M88048-M88010	1
Pinion Seal	710481 (1.893x2.811)	1
Crush Sleeve	CS303	1
Pinion Nut	PN3	1
Gear Marking & Brush	GMC1-BR1	1
Threadlocker	TL1	1
Sealer	RTV Silicone	1

DRK-304AMK

Position	Part Number	Qty
Differential Brg.	JLM704649-JLM704610	2
Pinion Head Brg.	NP524102-NP912904	1
Pinion Tail Brg.	M88048-M88010	1
Pinion Seal	710481 (1.893x2.811)	1
Crush Sleeve	CS303	1
Pinion Nut	PN3	1
Gear Marking & Brush	GMC1-BR1	1
Threadlocker	TL1	1
Sealer	RTV Silicone	1
Pinion Depth Shims	SK3	1
Ring Gear Bolts	RGB2	12

DRK-305

Position	Part Number	Qty
Differential Brg.	LM102949-LM102911	2
Pinion Head Brg.	NP722065-NP013743	1
Pinion Tail Brg.	M88048-M88010	1
Pinion Seal	710476 (1.720x2.921)	1
Crush Sleeve	CS303	1
Pinion Nut	PN3	1
Gear Marking & Brush	GMC1-BR1	1
Threadlocker	TL1	1
Sealer	RTV Silicone	1

DRK-305MK

Position	Part Number	Qty
Differential Brg.	LM102949-LM102911	2
Pinion Head Brg.	NP722065-NP013743	1
Pinion Tail Brg.	M88048-M88010	1
Pinion Seal	710476 (1.720x2.921)	1
Crush Sleeve	CS303	1
Pinion Nut	PN3	1
Gear Marking & Brush	GMC1-BR1	1
Threadlocker	TL1	1
Sealer	RTV Silicone	1
Pinion Depth Shims	SK20	1
Differential Shims	SK11 ²⁸	1
Ring Gear Bolts	RGB1	10

DRK-305A

Position	Part Number	Qty
Differential Brg.	LM102949-LM102911	2
Pinion Head Brg.	NP682887-NP307044	1
Pinion Tail Brg.	NP270758-NP378971	1
Pinion Seal	710836 (43x77)	1
Crush Sleeve	CS303	1
Pinion Nut	PN3	1
Gear Marking & Brush	GMC1-BR1	1
Threadlocker	TL1	1
Sealer	RTV Silicone	1

DRK-305AMK

Position	Part Number	Qty
Differential Brg.	LM102949-LM102911	2
Pinion Head Brg.	NP682887-NP307044	1
Pinion Tail Brg.	NP270758-NP378971	1
Pinion Seal	710836 (43x77)	1
Crush Sleeve	CS303	1
Pinion Nut	PN3	1
Gear Marking & Brush	GMC1-BR1	1
Threadlocker	TL1	1
Sealer	RTV Silicone	1
Pinion Depth Shims	SK20	1
Differential Shims	SK11 ²⁸	1
Ring Gear Bolts	RGB1	10

DRK-305B

Position	Part Number	Qty
Differential Brg.	LM102949-LM102911	2
Pinion Head Brg.	NP682887-NP307044	1
Pinion Tail Brg.	M88048-M88010	1
Pinion Seal	710836 (43x77)	1
Crush Sleeve	CS303	1
Pinion Nut	PN3	1
Gear Marking & Brush	GMC1-BR1	1
Threadlocker	TL1	1
Sealer	RTV Silicone	1

DRK-305BMK

Position	Part Number	Qty
Differential Brg.	LM102949-LM102911	2
Pinion Head Brg.	NP682887-NP307044	1
Pinion Tail Brg.	M88048-M88010	1
Pinion Seal	710836 (43x77)	1
Crush Sleeve	CS303	1
Pinion Nut	PN3	1
Gear Marking & Brush	GMC1-BR1	1
Threadlocker	TL1	1
Sealer	RTV Silicone	1
Pinion Depth Shims	SK20	1
Differential Shims	SK11 ²⁸	1
Ring Gear Bolts	RGB1	10

Light Duty Differential Rebuild Kits

DRK-306			DRK-307B			DRK-311		
Position	Part Number	Qty	Position	Part Number	Qty	Position	Part Number	Qty
Differential Brg.	387AS-382A	2	Differential Brg.	LM806649-LM806610	2	Differential Brg.	LM603049-LM603012	2
Pinion Head Brg.	NP598002-NP284552	1	Pinion Head Brg.	HM803146-HM803110	1	Pinion Head Brg.	M802048-M802011	1
Pinion Tail Brg.	M802048-M802011	1	Pinion Tail Brg.	M88043-M88010	1	Pinion Tail Brg.	M88048-M88010	1
Pinion Seal	710508 (2.324x3.541)	1	Pinion Seal	5103900AA	1	Pinion Seal	3604 (1.812x2.777)	1
Crush Sleeve	CS347	1	Crush Sleeve	CS363	1	Crush Sleeve	CS311	1
Pinion Nut	PN17	1	Pinion Nut	PN19	1	Pinion Nut	PN2	1
Gear Marking & Brush	GMC1-BR1	1	Gear Marking & Brush	GMC1-BR1	1	Gear Marking & Brush	GMC1-BR1	1
Threadlocker	TL1	1	Threadlocker	TL1	1	Threadlocker	TL1	1
Sealer	RTV Silicone	1	Sealer	RTV Silicone	1	Sealer	RTV Silicone	1
DRK-306MK			DRK-307BMK			DRK-311MK		
Position	Part Number	Qty	Position	Part Number	Qty	Position	Part Number	Qty
Differential Brg.	387AS-382A	2	Differential Brg.	LM806649-LM806610	2	Differential Brg.	LM603049-LM603012	2
Pinion Head Brg.	NP598002-NP284552	1	Pinion Head Brg.	HM803146-HM803110	1	Pinion Head Brg.	M802048-M802011	1
Pinion Tail Brg.	M802048-M802011	1	Pinion Tail Brg.	M88043-M88010	1	Pinion Tail Brg.	M88048-M88010	1
Pinion Seal	710508 (2.324x3.541)	1	Pinion Seal	5103900AA	1	Pinion Seal	3604 (1.812x2.777)	1
Crush Sleeve	CS347	1	Crush Sleeve	CS363	1	Crush Sleeve	CS311	1
Pinion Nut	PN17	1	Pinion Nut	PN19	1	Pinion Nut	PN2	1
Gear Marking & Brush	GMC1-BR1	1	Gear Marking & Brush	GMC1-BR1	1	Gear Marking & Brush	GMC1-BR1	1
Threadlocker	TL1	1	Threadlocker	TL1	1	Threadlocker	TL1	1
Sealer	RTV Silicone	1	Sealer	RTV Silicone	1	Sealer	RTV Silicone	1
Pinion Depth Shims	SK3	1	Pinion Depth Shims	SK1	1	Pinion Depth Shims	SK4	1
Ring Gear Bolts	RGB21	12	Differential Shims	SK13 ⁵⁴	1	Differential Shims	SK7 ²⁷	1
			Ring Gear Bolts	RGB26	10	Ring Gear Bolts	RGB3	10
DRK-307			DRK-308			DRK-311E		
Position	Part Number	Qty	Position	Part Number	Qty	Position	Part Number	Qty
Differential Brg.	LM806649-LM806610	2	Differential Brg.	LM603049-LM603012/2DYR1	2	Differential Brg.	LM603049-LM603012	2
Pinion Head Brg.	HM803146-HM803110	1	Pinion Head Brg.	HM803146-HM803110	1	Pinion Head Brg.	STD4183KELFT	1
Pinion Tail Brg.	M88043-M88010	1	Pinion Tail Brg.	M88043-M88010	1	Pinion Tail Brg.	M88048-M88010	1
Pinion Seal	5103900AA	1	Pinion Seal	710839 (40x72)	1	Pinion Seal	3604 (1.812x2.777)	1
Crush Sleeve	CS352	1	Crush Sleeve	CS304	1	Crush Sleeve	CS311	1
Pinion Nut	PN19	1	Pinion Nut	PN19	1	Pinion Nut	PN2	1
Gear Marking & Brush	GMC1-BR1	1	Gear Marking & Brush	GMC1-BR1	1	Gear Marking & Brush	GMC1-BR1	1
Threadlocker	TL1	1	Threadlocker	TL1	1	Threadlocker	TL1	1
Sealer	RTV Silicone	1	Sealer	RTV Silicone	1	Sealer	RTV Silicone	1
DRK-307MK			DRK-310			DRK-311EMK		
Position	Part Number	Qty	Position	Part Number	Qty	Position	Part Number	Qty
Differential Brg.	LM806649-LM806610	2	Differential Brg.	LM501349-LM501310	2	Differential Brg.	LM603049-LM603012	2
Pinion Head Brg.	HM803146-HM803110	1	Pinion Head Brg.	M86649-M86610	1	Pinion Head Brg.	STD4183KELFT	1
Pinion Tail Brg.	M88043-M88010	1	Pinion Tail Brg.	M86649-M86610	1	Pinion Tail Brg.	M88048-M88010	1
Pinion Seal	5103900AA	1	Pinion Nose Brg.	R1558TAV	1	Pinion Seal	3604 (1.812x2.777)	1
Crush Sleeve	CS352	1	Pinion Seal	8181NA (1.812x2.623)	1	Crush Sleeve	CS311	1
Pinion Nut	PN19	1	Crush Sleeve	CS310	1	Pinion Nut	PN2	1
Gear Marking & Brush	GMC1-BR1	1	Pinion Nut	PN2	1	Gear Marking & Brush	GMC1-BR1	1
Threadlocker	TL1	1	Gear Marking & Brush	GMC1-BR1	1	Threadlocker	TL1	1
Sealer	RTV Silicone	1	Threadlocker	TL1	1	Sealer	RTV Silicone	1
Pinion Depth Shims	SK1	1	Sealer	RTV Silicone	1	Pinion Depth Shims	SK4	1
Differential Shims	SK13 ⁵⁴	1	O-Ring	OR241	1	Differential Shims	SK7 ²⁷	1
Ring Gear Bolts	RGB26	10	DRK-310MK			Ring Gear Bolts	RGB3	10
DRK-307A			Position	Part Number	Qty	O-Ring	OR241	1
Position	Part Number	Qty	Position	Part Number	Qty	DRK-311G		
Differential Brg.	32012-JR/1B	2	Differential Brg.	LM501349-LM501310	2	Position	Part Number	Qty
Pinion Head Brg.	T7FC045	1	Pinion Head Brg.	M86649-M86610	1	Differential Brg.	LM603049-LM603012	2
Pinion Tail Brg.	30307-DJR	1	Pinion Tail Brg.	M86649-M86610	1	Pinion Head Brg.	STD4183KELFT	1
Pinion Seal	68019031AB	1	Pinion Nose Brg.	R1558TAV	1	Pinion Tail Brg.	NP966883-NP759177	1
Crush Sleeve	CS354	1	Pinion Seal	8181NA (1.812x2.623)	1	Pinion Seal	3604 (1.812x2.777)	1
Pinion Nut	PN21 ¹¹⁰	1	Crush Sleeve	CS310	1	Crush Sleeve	CS311	1
Gear Marking & Brush	GMC1-BR1	1	Pinion Nut	PN2	1	Pinion Nut	PN2	1
Threadlocker	TL1	1	Gear Marking & Brush	GMC1-BR1	1	Gear Marking & Brush	GMC1-BR1	1
Sealer	RTV Silicone	1	Threadlocker	TL1	1	Threadlocker	TL1	1
DRK-307AMK			Sealer	RTV Silicone	1	Sealer	RTV Silicone	1
Position	Part Number	Qty	Pinion Depth Shims	SK6	1			
Differential Brg.	32012-JR/1B	2	Ring Gear Bolts	RGB3	10			
Pinion Head Brg.	T7FC045	1	O-Ring	OR241	1			
Pinion Tail Brg.	30307-DJR	1						
Pinion Seal	68019031AB	1						
Crush Sleeve	CS354	1						
Pinion Nut	PN21 ¹¹⁰	1						
Gear Marking & Brush	GMC1-BR1	1						
Threadlocker	TL1	1						
Sealer	RTV Silicone	1						
Pinion Depth Shims	SK1	1						
Differential Shims	SK13 ⁵⁴	1						

¹⁰¹Original Pinion Nut Must Be Re-used. ²⁷Order SSK7 for stackable differential shims.
⁵⁴Order SSK13 for stackable differential shims.

Light Duty Differential Rebuild Kits



LD Differential

DRK-311GMK

Position	Part Number	Qty
Differential Brg.	LM603049-LM603012	2
Pinion Head Brg.	STD4183KELFT	1
Pinion Tail Brg.	NP966883-NP759177	1
Pinion Seal	3604 (1.812x2.777)	1
Crush Sleeve	CS311	1
Pinion Nut	PN2	1
Gear Marking & Brush	GMC1-BR1	1
Threadlocker	TL1	1
Sealer	RTV Silicone	1
Pinion Depth Shims	SK4	1
Differential Shims	SK7 ²⁷	1
Ring Gear Bolts	RGB3	10

DRK-311H

Position	Part Number	Qty
Differential Brg.	LM603049-LM603012	2
Pinion Head Brg.	M802048-M802011	1
Pinion Tail Brg.	M88048-M88010	1
Pinion Seal	714675 (1.843x2.748)	1
Crush Sleeve	CS311	1
Pinion Nut	PN6	1
Gear Marking & Brush	GMC1-BR1	1
Threadlocker	TL1	1
Sealer	RTV Silicone	1
O-Ring	OR-213S	6

DRK-311HMK

Position	Part Number	Qty
Differential Brg.	LM603049-LM603012	2
Pinion Head Brg.	M802048-M802011	1
Pinion Tail Brg.	M88048-M88010	1
Pinion Seal	714675 (1.843x2.748)	1
Crush Sleeve	CS311	1
Pinion Nut	PN6	1
Gear Marking & Brush	GMC1-BR1	1
Threadlocker	TL1	1
Sealer	RTV Silicone	1
Differential Shims	SK21	2
Pinion Brg. Shims	SK4	1
Ring Gear Bolts	RGB2	8
O-Ring	OR-213S	6

DRK-311J

Position	Part Number	Qty
Differential Brg.	LM603049-LM603012	2
Pinion Head Brg.	M802048-M802011	1
Pinion Tail Brg.	M88048-M88010	1
Pinion Seal	470331N (1.843x2.750)	1
Crush Sleeve	CS311	1
Pinion Nut	PN6	1
Gear Marking & Brush	GMC1-BR1	1
Threadlocker	TL1	1
Sealer	RTV Silicone	1

DRK-311JMK

Position	Part Number	Qty
Differential Brg.	LM603049-LM603012	2
Pinion Head Brg.	M802048-M802011	1
Pinion Tail Brg.	M88048-M88010	1
Pinion Seal	470331N (1.843x2.750)	1
Crush Sleeve	CS311	1
Pinion Nut	PN6	1
Gear Marking & Brush	GMC1-BR1	1
Threadlocker	TL1	1
Sealer	RTV Silicone	1
Pinion Depth Shims	SK4	1
Differential Shims	SK7 ²⁷	1
Ring Gear Bolts	RGB3	8

DRK-311K

Position	Part Number	Qty
Differential Brg.	LM603049-LM603012	2
Pinion Head Brg.	ST4190LFT	1
Pinion Tail Brg.	M88048-M88010	1
Pinion Seal	3604 (1.812x2.777)	1
Crush Sleeve	CS311	1
Pinion Nut	PN2	1
Gear Marking & Brush	GMC1-BR1	1
Threadlocker	TL1	1
Sealer	RTV Silicone	1

DRK-311KMK

Position	Part Number	Qty
Differential Brg.	LM603049-LM603012	2
Pinion Head Brg.	ST4190LFT	1
Pinion Tail Brg.	M88048-M88010	1
Pinion Seal	3604 (1.812x2.777)	1
Crush Sleeve	CS311	1
Pinion Nut	PN2	1
Gear Marking & Brush	GMC1-BR1	1
Threadlocker	TL1	1
Sealer	RTV Silicone	1
Pinion Depth Shims	SK4	1
Differential Shims	SK7 ²⁷	1
Ring Gear Bolts	RGB3	10

DRK-311L

Position	Part Number	Qty
Differential Brg.	LM603049-LM603012	2
Pinion Head Brg.	ST4190LFT	1
Pinion Tail Brg.	NP966883-NP759177	1
Pinion Seal	3604 (1.812x2.777)	1
Crush Sleeve	CS311	1
Pinion Nut	PN2	1
Gear Marking & Brush	GMC1-BR1	1
Threadlocker	TL1	1
Sealer	RTV Silicone	1

DRK-311LMK

Position	Part Number	Qty
Differential Brg.	LM603049-LM603012	2
Pinion Head Brg.	ST4190LFT	1
Pinion Tail Brg.	NP966883-NP759177	1
Pinion Seal	3604 (1.812x2.777)	1
Crush Sleeve	CS311	1
Pinion Nut	PN2	1
Gear Marking & Brush	GMC1-BR1	1
Threadlocker	TL1	1
Sealer	RTV Silicone	1
Pinion Depth Shims	SK4	1
Differential Shims	SK7 ²⁷	1
Ring Gear Bolts	RGB3	10

DRK-311N

Position	Part Number	Qty
Differential Brg.	LM603049-LM603012	2
Pinion Head Brg.	NP559445-NP945727	1
Pinion Tail Brg.	M88048-M88010	1
Pinion Seal	3604 (1.812x2.777)	1
Crush Sleeve	CS311	1
Pinion Nut	PN2	1
Gear Marking & Brush	GMC1-BR1	1
Threadlocker	TL1	1
Sealer	RTV Silicone	1

DRK-311NMK

Position	Part Number	Qty
Differential Brg.	LM603049-LM603012	2
Pinion Head Brg.	NP559445-NP945727	1
Pinion Tail Brg.	M88048-M88010	1
Pinion Seal	3604 (1.812x2.777)	1
Crush Sleeve	CS311	1
Pinion Nut	PN2	1
Gear Marking & Brush	GMC1-BR1	1
Threadlocker	TL1	1
Sealer	RTV Silicone	1
Pinion Depth Shims	SK4	1
Differential Shims	SK7 ²⁷	1
Ring Gear Bolts	RGB3	10

DRK-311Q

Position	Part Number	Qty
Differential Brg.	ST5183	2
Pinion Head Brg.	KEST5195LFT	1
Pinion Tail Brg.	STD3776-2	1
Pinion Seal	4278 (1.812x3.091)	1
Crush Sleeve	CS370	1
Pinion Nut	PN13	1
Pinion Depth Shims	SK4	1
Differential Shims	SK7 ²⁷	1
Gear Marking & Brush	GMC1-BR1	1
Threadlocker	TL1	1
Sealer	RTV Silicone	1
Ring Gear Bolts	RGB3	10

DRK-311S

Position	Part Number	Qty
Differential Brg.	ST5183	2
Pinion Head Brg.	KEST5195LFT	1
Pinion Tail Brg.	HM89448-HM89411	1
Pinion Seal	4278 (1.812x3.091)	1
Crush Sleeve	CS316C	1
Pinion Nut	PN13	1
Gear Marking & Brush	GMC1-BR1	1
Threadlocker	TL1	1
Sealer	RTV Silicone	1

DRK-311SMK

Position	Part Number	Qty
Differential Brg.	ST5183	2
Pinion Head Brg.	KEST5195LFT	1
Pinion Tail Brg.	HM89448-HM89411	1
Pinion Seal	4278 (1.812x3.091)	1
Crush Sleeve	CS316C	1
Pinion Nut	PN13	1
Pinion Depth Shims	SK4	1
Differential Shims	SK7 ²⁷	1
Gear Marking & Brush	GMC1-BR1	1
Threadlocker	TL1	1
Sealer	RTV Silicone	1
Ring Gear Bolts	RGB3	10

DRK-312

Position	Part Number	Qty
Differential Brg.	LM501349-LM501310	2
Pinion Head Brg.	M88048-M88010	1
Pinion Tail Brg.	M88048-M88010	1
Pinion Nose Brg.	R1535TAV	1
Pinion Nose Brg. Retainer	R1535-CLIP	1
Pinion Seal	7044NA (1.812x3.000)	1
Crush Sleeve	CS311	1
Pinion Nut	PN2	1
Gear Marking & Brush	GMC1-BR1	1
Threadlocker	TL1	1
Sealer	RTV Silicone	1
O-Ring	OR248	1

Light Duty Differential Rebuild Kits

DRK-312MK			DRK-313AMK			DRK-313CMK		
Position	Part Number	Qty	Position	Part Number	Qty	Position	Part Number	Qty
Differential Brg.	LM501349-LM501310	2	Differential Brg.	LM603049-LM603011	2	Differential Brg.	LM603049-LM603011	2
Pinion Head Brg.	M88048-M88010	1	Pinion Head Brg.	HM89443-HM89410	1	Pinion Head Brg.	M88048-M88010	1
Pinion Tail Brg.	M88048-M88010	1	Pinion Tail Brg.	M88048-M88010	1	Pinion Tail Brg.	M88048-M88010	1
Pinion Nose Brg.	R1535TAV	1	Pinion Nose Brg.	R1535TAV	1	Pinion Nose Brg.	R1535TAV	1
Pinion Nose Brg. Retainer	R1535-CLIP	1	Pinion Nose Brg. Retainer	R1535-CLIP	1	Pinion Nose Brg. Retainer	R1535-CLIP	1
Pinion Seal	7044NA (1.812x3.000)	1	Pinion Seal	7044NA (1.812x3.000)	1	Pinion Seal	7044NA (1.812x3.000)	1
Crush Sleeve	CS311	1	Solid Spacer Kit	SS9	1	Crush Sleeve	CS311	1
Pinion Nut	PN2	1	Pinion Nut	PN2	1	Pinion Nut	PN2	1
Gear Marking & Brush	GMC1-BR1	1	Gear Marking & Brush	GMC1-BR1	1	Gear Marking & Brush	GMC1-BR1	1
Threadlocker	TL1	1	Threadlocker	TL1	1	Threadlocker	TL1	1
Sealer	RTV Silicone	1	Sealer	RTV Silicone	1	Sealer	RTV Silicone	1
Pinion Depth Shims	SK8	1	Pinion Depth Shims	SK8	1	Pinion Depth Shims	SK8	1
Ring Gear Bolts	RGB4	10	Ring Gear Bolts	RGB4	10	Ring Gear Bolts	RGB4	10
O-Ring	OR248	1	O-Ring	OR248	1	O-Ring	OR248	1
DRK-313			DRK-313B			DRK-313D		
Position	Part Number	Qty	Position	Part Number	Qty	Position	Part Number	Qty
Differential Brg.	LM102949-LM102910	2	Differential Brg.	LM104949-LM104911	2	Differential Brg.	LM104949-LM104911	2
Pinion Head Brg.	M88048-M88010	1	Pinion Head Brg.	HM89443-HM89410	1	Pinion Head Brg.	HM89444-HM89410	1
Pinion Tail Brg.	M88048-M88010	1	Pinion Tail Brg.	M88048-M88010	1	Pinion Tail Brg.	M88048-M88010	1
Pinion Nose Brg.	R1535TAV	1	Pinion Nose Brg.	R1535TAV	1	Pinion Nose Brg.	R1535TAV	1
Pinion Nose Brg. Retainer	R1535-CLIP	1	Pinion Nose Brg. Retainer	R1535-CLIP	1	Pinion Nose Brg. Retainer	R1535-CLIP	1
Pinion Seal	7044NA (1.812x3.000)	1	Pinion Seal	7044NA (1.812x3.000)	1	Pinion Seal	7044NA (1.812x3.000)	1
Pinion Seal	3604 (1.812x2.777)	1	Solid Spacer Kit	SS9	1	Solid Spacer Kit	SS9	1
Crush Sleeve	CS311	1	Pinion Nut	PN2	1	Pinion Nut	PN2	1
Pinion Nut	PN2	1	Gear Marking & Brush	GMC1-BR1	1	Gear Marking & Brush	GMC1-BR1	1
Gear Marking & Brush	GMC1-BR1	1	Threadlocker	TL1	1	Threadlocker	TL1	1
Threadlocker	TL1	1	Sealer	GR-F900	1	Sealer	RTV Silicone	1
Sealer	RTV Silicone	1	O-Ring	OR248	1	O-Ring	OR248	1
O-Ring	OR248	1	Washer	5138	1			
DRK-313MK			DRK-313BMK			DRK-313DMK		
Position	Part Number	Qty	Position	Part Number	Qty	Position	Part Number	Qty
Differential Brg.	LM102949-LM102910	2	Differential Brg.	LM104949-LM104911	2	Differential Brg.	LM104949-LM104911	2
Pinion Head Brg.	M88048-M88010	1	Pinion Head Brg.	HM89443-HM89410	1	Pinion Head Brg.	HM89444-HM89410	1
Pinion Tail Brg.	M88048-M88010	1	Pinion Tail Brg.	M88048-M88010	1	Pinion Tail Brg.	M88048-M88010	1
Pinion Nose Brg.	R1535TAV	1	Pinion Nose Brg.	R1535TAV	1	Pinion Nose Brg.	R1535TAV	1
Pinion Nose Brg. Retainer	R1535-CLIP	1	Pinion Nose Brg. Retainer	R1535-CLIP	1	Pinion Nose Brg. Retainer	R1535-CLIP	1
Pinion Seal	7044NA (1.812x3.000)	1	Pinion Seal	7044NA (1.812x3.000)	1	Pinion Seal	7044NA (1.812x3.000)	1
Pinion Seal	3604 (1.812x2.777)	1	Solid Spacer Kit	SS9	1	Solid Spacer Kit	SS9	1
Crush Sleeve	CS311	1	Pinion Nut	PN2	1	Pinion Nut	PN2	1
Pinion Nut	PN2	1	Gear Marking & Brush	GMC1-BR1	1	Gear Marking & Brush	GMC1-BR1	1
Gear Marking & Brush	GMC1-BR1	1	Threadlocker	TL1	1	Threadlocker	TL1	1
Threadlocker	TL1	1	Sealer	GR-F900	1	Sealer	RTV Silicone	1
Sealer	RTV Silicone	1	Pinion Depth Shims	SK8	1	O-Ring	OR248	1
Pinion Depth Shims	SK8	1	Ring Gear Bolts	RGB4	10	Pinion Depth Shims	SK8	1
Ring Gear Bolts	RGB4	10	O-Ring	OR248	1	Ring Gear Bolts	RGB4	10
O-Ring	OR248	1	Washer	5138	1			
DRK-313A			DRK-313C			DRK-928SP		
Position	Part Number	Qty	Position	Part Number	Qty	Position	Part Number	Qty
Differential Brg.	LM603049-LM603011	2	Differential Brg.	LM603049-LM603011	2	Differential Brg.	LM104949-LM104911	2
Pinion Head Brg.	HM89443-HM89410	1	Pinion Head Brg.	M88048-M88010	1	Pinion Head Brg.	HM804846-HM804810	1
Pinion Tail Brg.	M88048-M88010	1	Pinion Tail Brg.	M88048-M88010	1	Pinion Tail Brg.	2790-2729	1
Pinion Nose Brg.	R1535TAV	1	Pinion Nose Brg.	R1535TAV	1	Pinion Nose Brg.	R1535TAV	1
Pinion Nose Brg. Retainer	R1535-CLIP	1	Pinion Nose Brg. Retainer	R1535-CLIP	1	Pinion Nose Brg. Retainer	R1535-CLIP	1
Pinion Seal	7044NA (1.812x3.000)	1	Pinion Seal	7044NA (1.812x3.000)	1	Pinion Seal	7044NA (1.812x3.000)	1
Solid Spacer Kit	SS9	1	Crush Sleeve	CS311	1	Solid Spacer	SS9	1
Pinion Nut	PN2	1	Pinion Nut	PN2	1	Pinion Nut	PN2	1
Gear Marking & Brush	GMC1-BR1	1	Gear Marking & Brush	GMC1-BR1	1	Gear Marking & Brush	GMC1-BR1	1
Threadlocker	TL1	1	Threadlocker	TL1	1	Threadlocker	TL1	1
Sealer	RTV Silicone	1	Sealer	RTV Silicone	1	Sealer	RTV Silicone	1
O-Ring	OR248	1	O-Ring	OR248	1	O-Ring	OR248	1

LD Differential

Light Duty Differential Rebuild Kits



LD Differential

DRK-935SP

Position	Part Number	Qty
Differential Brg.	LM104949-LM104911	2
Pinion Head Brg.	HM804846-HM804810	1
Pinion Tail Brg.	2788-2729	1
Pinion Nose Brg.	R1535TAV	1
Pinion Nose Brg. Retainer	R1535-CLIP	1
Pinion Seal	472015 (2.125x3.000)	1
Solid Spacer	SS9HD	1
Pinion Nut	PN2	1
Gear Marking & Brush	GMC1-BR1	1
Threadlocker	TL1	1
Sealer	RTV Silicone	1
O-Ring	OR248	1

DRK-314

Position	Part Number	Qty
Differential Brg.	469-453X	2
Pinion Head Brg.	HM807044-HM807010	1
Pinion Tail Brg.	HM89443-HM89411	1
Pinion Seal	4278 (1.812x3.091)	1
Crush Sleeve	CS311	1
Pinion Nut	PN6	1
Gear Marking & Brush	GMC1-BR1	1
Threadlocker	TL1	1
Sealer	RTV Silicone	1

DRK-314MK

Position	Part Number	Qty
Differential Brg.	469-453X	2
Pinion Head Brg.	HM807044-HM807010	1
Pinion Tail Brg.	HM89443-HM89411	1
Pinion Seal	4278 (1.812x3.091)	1
Crush Sleeve	CS311	1
Pinion Nut	PN6	1
Gear Marking & Brush	GMC1-BR1	1
Threadlocker	TL1	1
Sealer	RTV Silicone	1
Pinion Depth Shims	SK3	1
Differential Shims	SK10 ⁵³	1
Ring Gear Bolts	RGB6	12

DRK-314AMK

Position	Part Number	Qty
Differential Brg.	469-453X	2
Pinion Head Brg.	HM807044-HM807010	1
Pinion Tail Brg.	HM89443-HM89411	1
Pinion Seal	4278 (1.812x3.091)	1
Crush Sleeve	CS311	1
Pinion Nut	PN6	1
Gear Marking & Brush	GMC1-BR1	1
Threadlocker	TL1	1
Sealer	RTV Silicone	1
Pinion Depth Shims	SK7	1
Differential Shims	SK10 ⁵³	1
Ring Gear Bolts	RGB6	12
Pinion Nut Washer	DS30275	1

DRK-315

Position	Part Number	Qty
Differential Brg.	LM501349-LM501314	2
Pinion Head Brg.	M802048-M802011	1
Pinion Tail Brg.	M88048-M88010	1
Pinion Seal	3604 (1.812x2.777)	1
Crush Sleeve	CS311	1
Pinion Nut	PN2	1
Gear Marking & Brush	GMC1-BR1	1
Threadlocker	TL1	1
Sealer	RTV Silicone	1

DRK-315MK

Position	Part Number	Qty
Differential Brg.	LM501349-LM501314	2
Pinion Head Brg.	M802048-M802011	1
Pinion Tail Brg.	M88048-M88010	1
Pinion Seal	3604 (1.812x2.777)	1
Crush Sleeve	CS311	1
Pinion Nut	PN2	1
Gear Marking & Brush	GMC1-BR1	1
Threadlocker	TL1	1
Sealer	RTV Silicone	1
Pinion Depth Shims	SK4	1
Differential Shims	SK11 ²⁸	1
Ring Gear Bolts	RGB3	10

DRK-316

Position	Part Number	Qty
Differential Brg.	NP343847-NP372019	2
Pinion Head Brg.	NP576375-NP434567	1
Pinion Tail Brg.	M88048-M88010	1
Pinion Seal	3604 (1.812x2.777)	1
Crush Sleeve	CS311	1
Pinion Nut	PN13	1
Gear Marking & Brush	GMC1-BR1	1
Threadlocker	TL1	1
Sealer	RTV Silicone	1

DRK-316MK

Position	Part Number	Qty
Differential Brg.	NP343847-NP372019	2
Pinion Head Brg.	NP576375-NP434567	1
Pinion Tail Brg.	M88048-M88010	1
Pinion Seal	3604 (1.812x2.777)	1
Crush Sleeve	CS311	1
Pinion Nut	PN13	1
Gear Marking & Brush	GMC1-BR1	1
Threadlocker	TL1	1
Sealer	RTV Silicone	1
Pinion Depth Shims	SK41	1
Differential Shims	SK42 ⁵²	1
Ring Gear Bolts	RGB18	12

DRK-316A

Position	Part Number	Qty
Differential Brg.	NP343847-NP372019	2
Pinion Head Brg.	NP576375-NP434567	1
Pinion Tail Brg.	HM89443-HM89411	1
Pinion Seal	4278 (1.812x3.091)	1
Crush Sleeve	CS311	1
Pinion Nut	PN6	1
Gear Marking & Brush	GMC1-BR1	1
Threadlocker	TL1	1
Sealer	RTV Silicone	1

DRK-316AMK

Position	Part Number	Qty
Differential Brg.	NP343847-NP372019	2
Pinion Head Brg.	NP576375-NP434567	1
Pinion Tail Brg.	HM89443-HM89411	1
Pinion Seal	4278 (1.812x3.091)	1
Crush Sleeve	CS311	1
Pinion Nut	PN6	1
Gear Marking & Brush	GMC1-BR1	1
Threadlocker	TL1	1
Sealer	RTV Silicone	1
Pinion Depth Shims	SK41	1
Differential Shims	SK42 ⁵²	1
Ring Gear Bolts	RGB18	12

DRK-316B

Position	Part Number	Qty
Differential Brg.	NP912771-NP847706	2
Pinion Head Brg.	NP665996-NP244986	1
Pinion Tail Brg.	HM89443-HM89411	1
Pinion Seal	4278 (1.812x3.091)	1
Crush Sleeve	CS311	1
Pinion Nut	PN6	1
Gear Marking & Brush	GMC1-BR1	1
Threadlocker	TL1	1
Sealer	RTV Silicone	1

DRK-316BMK

Position	Part Number	Qty
Differential Brg.	NP912771-NP847706	2
Pinion Head Brg.	NP665996-NP244986	1
Pinion Tail Brg.	HM89443-HM89411	1
Pinion Seal	4278 (1.812x3.091)	1
Crush Sleeve	CS311	1
Pinion Nut	PN6	1
Gear Marking & Brush	GMC1-BR1	1
Threadlocker	TL1	1
Sealer	RTV Silicone	1
Pinion Depth Shims	SK41	1
Differential Shims	SK42 ⁵²	1
Ring Gear Bolts	RGB18	12

DRK-316C

Position	Part Number	Qty
Differential Brg.	NP912771-NP847706	2
Pinion Head Brg.	TRD101004UR4	1
Pinion Tail Brg.	HM89448-HM89411	1
Pinion Seal	4278 (1.812x3.091)	1
Crush Sleeve	CS355	1
Pinion Nut	PN6	1
Gear Marking & Brush	GMC1-BR1	1
Threadlocker	TL1	1
Sealer	RTV Silicone	1

DRK-316CMK

Position	Part Number	Qty
Differential Brg.	NP912771-NP847706	2
Pinion Head Brg.	TRD101004UR4	1
Pinion Tail Brg.	HM89448-HM89411	1
Pinion Seal	4278 (1.812x3.091)	1
Crush Sleeve	CS355	1
Pinion Nut	PN6	1
Gear Marking & Brush	GMC1-BR1	1
Threadlocker	TL1	1
Sealer	RTV Silicone	1
Pinion Depth Shims	SK41	1
Differential Shims	SK42 ⁵²	1
Ring Gear Bolts	RGB18	12

DRK-316D

Position	Part Number	Qty
Differential Brg.	NP912771-NP847706	2
Pinion Head Brg.	KEST5195LFT	1
Pinion Tail Brg.	HM89448-HM89411	1
Pinion Seal	4278 (1.812x3.091)	1
Crush Sleeve	CS355	1
Pinion Nut	PN6	1
Gear Marking & Brush	GMC1-BR1	1
Threadlocker	TL1	1
Sealer	RTV Silicone	1

Light Duty Differential Rebuild Kits

DRK-316DMK		
Position	Part Number	Qty
Differential Brg.	NP912771-NP847706	2
Pinion Head Brg.	KEST5195LFT	1
Pinion Tail Brg.	HM89448-HM89411	1
Pinion Seal	4278 (1.812x3.091)	1
Crush Sleeve	CS355	1
Pinion Depth Shims	SK41	1
Differential Shims	SK42 ⁵²	1
Pinion Nut	PN6	1
Ring Gear Bolts	RGB18	12
Gear Marking & Brush	GMC1-BR1	1
Threadlocker	TL1	1
Sealer	RTV Silicone	1

DRK-316E		
Position	Part Number	Qty
Differential Brg.	NP912771-NP847706	2
Pinion Head Brg.	TRD101004UR4	1
Pinion Tail Brg.	STD3776-2	1
Pinion Seal	4278 (1.812x3.091)	1
Crush Sleeve	CS355	1
Pinion Nut	PN6	1
Gear Marking & Brush	GMC1-BR1	1
Threadlocker	TL1	1
Sealer	RTV Silicone	1

DRK-316EMK		
Position	Part Number	Qty
Differential Brg.	NP912771-NP847706	2
Pinion Head Brg.	TRD101004UR4	1
Pinion Tail Brg.	STD3776-2	1
Pinion Seal	4278 (1.812x3.091)	1
Crush Sleeve	CS355	1
Pinion Depth Shims	SK41	1
Differential Shims	SK42 ⁵²	1
Pinion Nut	PN6	1
Ring Gear Bolts	RGB18	12
Gear Marking & Brush	GMC1-BR1	1
Threadlocker	TL1	1
Sealer	RTV Silicone	1

DRK-316F		
Position	Part Number	Qty
Differential Brg.	NP912771-NP847706	2
Pinion Head Brg.	TRD101004UR4	1
Pinion Tail Brg.	KEST5195LFT	1
Pinion Seal	4278 (1.812x3.091)	1
Crush Sleeve	CS355	1
Pinion Nut	PN6	1
Gear Marking & Brush	GMC1-BR1	1
Threadlocker	TL1	1
Sealer	RTV Silicone	1

DRK-316FMK		
Position	Part Number	Qty
Differential Brg.	NP912771-NP847706	2
Pinion Head Brg.	TRD101004UR4	1
Pinion Tail Brg.	KEST5195LFT	1
Pinion Seal	4278 (1.812x3.091)	1
Crush Sleeve	CS355	1
Pinion Nut	PN6	1
Gear Marking & Brush	GMC1-BR1	1
Threadlocker	TL1	1
Sealer	RTV Silicone	1
Pinion Depth Shims	SK41	1
Differential Shims	SK42	1
Ring Gear Bolts	RGB18	12

DRK-316-CONVA		
Position	Part Number	Qty
Differential Brg.	NP343847-NP372019	2
Pinion Head Brg.	KEST5195LFT	1
Pinion Tail Brg.	HM89448-HM89411	1
Pinion Seal	3604 (1.812x2.777)	1
Pinion Seal	4278 (1.812x3.091)	1
Crush Sleeve	CS316-A	1
Pinion Nut	PN6	1
Gear Marking & Brush	GMC1-BR1	1
Threadlocker	TL1	1
Sealer	RTV Silicone	1

DRK-316-CONVAMK		
Position	Part Number	Qty
Differential Brg.	NP343847-NP372019	2
Pinion Head Brg.	KEST5195LFT	1
Pinion Tail Brg.	HM89448-HM89411	1
Pinion Seal	3604 (1.812x2.777)	1
Pinion Seal	4278 (1.812x3.091)	1
Crush Sleeve	CS316-A	1
Pinion Nut	PN6	1
Gear Marking & Brush	GMC1-BR1	1
Threadlocker	TL1	1
Sealer	RTV Silicone	1
Pinion Depth Shims	SK41	1
Differential Shims	SK42	1
Ring Gear Bolts	RGB18	12

DRK-316-CONVB		
Position	Part Number	Qty
Differential Brg.	NP343847-NP372019	2
Pinion Head Brg.	JHM807045-HM807010	1
Pinion Tail Brg.	HM89443-HM89410	1
Pinion Seal	3604 (1.812x2.777)	1
Pinion Seal	4278 (1.812x3.091)	1
Crush Sleeve	CS311	1
Pinion Nut	PN6	1
Gear Marking & Brush	GMC1-BR1	1
Threadlocker	TL1	1
Sealer	RTV Silicone	1

DRK-316-CONVBMK		
Position	Part Number	Qty
Differential Brg.	NP343847-NP372019	2
Pinion Head Brg.	JHM807045-HM807010	1
Pinion Tail Brg.	HM89443-HM89410	1
Pinion Seal	3604 (1.812x2.777)	1
Pinion Seal	4278 (1.812x3.091)	1
Crush Sleeve	CS311	1
Pinion Nut	PN6	1
Gear Marking & Brush	GMC1-BR1	1
Threadlocker	TL1	1
Sealer	RTV Silicone	1
Pinion Depth Shims	SK41	1
Differential Shims	SK42	1
Ring Gear Bolts	RGB18	12

DRK-317		
Position	Part Number	Qty
Differential Brg.	469-453X	2
Pinion Head Brg.	NP504493-NP949481	1
Pinion Tail Brg.	HM89443-HM89411	1
Pinion Seal	4278 (1.812x3.091)	1
Crush Sleeve	CS311	1
Pinion Nut	PN6	1
Gear Marking & Brush	GMC1-BR1	1
Threadlocker	TL1	1
Sealer	RTV Silicone	1

DRK-317MK		
Position	Part Number	Qty
Differential Brg.	469-453X	2
Pinion Head Brg.	NP504493-NP949481	1
Pinion Tail Brg.	HM89443-HM89411	1
Pinion Seal	4278 (1.812x3.091)	1
Crush Sleeve	CS311	1
Pinion Nut	PN6	1
Gear Marking & Brush	GMC1-BR1	1
Threadlocker	TL1	1
Sealer	RTV Silicone	1
Pinion Depth Shims	SK3	1
Differential Shims	SK10 ⁵³	1
Ring Gear Bolts	RGB6	12

DRK-317A		
Position	Part Number	Qty
Differential Brg.	469-453X	2
Pinion Head Brg.	NP761271-NP998236	1
Pinion Tail Brg.	HM89443-HM89411	1
Pinion Seal	4278 (1.812x3.091)	1
Crush Sleeve	CS311	1
Pinion Nut	PN6	1
Gear Marking & Brush	GMC1-BR1	1
Threadlocker	TL1	1
Sealer	RTV Silicone	1

DRK-317AMK		
Position	Part Number	Qty
Differential Brg.	469-453X	2
Pinion Head Brg.	NP761271-NP998236	1
Pinion Tail Brg.	HM89443-HM89411	1
Pinion Seal	4278 (1.812x3.091)	1
Crush Sleeve	CS311	1
Pinion Nut	PN6	1
Gear Marking & Brush	GMC1-BR1	1
Threadlocker	TL1	1
Sealer	RTV Silicone	1
Pinion Depth Shims	SK3	1
Differential Shims	SK10 ⁵³	1
Ring Gear Bolts	RGB6	12

DRK-317B		
Position	Part Number	Qty
Differential Brg.	469-453X	2
Pinion Head Brg.	M802047-M802011	1
Pinion Tail Brg.	TRD101004UR4	1
Pinion Seal	BC3Z4676A	1
Crush Sleeve	CS317K	1
Gear Marking & Brush	GMC1-BR1	1
Threadlocker	TL1	1
Sealer	RTV Silicone	1

DRK-317BMK		
Position	Part Number	Qty
Differential Brg.	469-453X	2
Pinion Head Brg.	M802047-M802011	1
Pinion Tail Brg.	TRD101004UR4	1
Pinion Seal	BC3Z4676A	1
Crush Sleeve	CS317K	1
Gear Marking & Brush	GMC1-BR1	1
Threadlocker	TL1	1
Sealer	RTV Silicone	1
Pinion Depth Shims	SK41	1
Differential Shims	SK10 ⁵³	1
Ring Gear Bolts	RGB32	12

DRK-320		
Position	Part Number	Qty
Differential Brg.	LM501349-LM501314	2
Pinion Head Brg.	HM89249-HM89210	1
Pinion Tail Brg.	M86649-M86610	1
Pinion Seal	8610 (1.521x2.656)	1
Crush Sleeve	CS320	1
Pinion Nut	PN3	1
Gear Marking & Brush	GMC1-BR1	1
Threadlocker	TL1	1
Sealer	RTV Silicone	1

⁵²Order SSK42 for stackable differential shims. ⁵³Order SSK10 for stackable differential shims.

Light Duty Differential Rebuild Kits



LD Differential

DRK-320MK

Position	Part Number	Qty
Differential Brg.	LM501349-LM501314	2
Pinion Head Brg.	HM89249-HM89210	1
Pinion Tail Brg.	M86649-M86610	1
Pinion Seal	8610 (1.521x2.656)	1
Crush Sleeve	CS320	1
Pinion Nut	PN3	1
Gear Marking & Brush	GMC1-BR1	1
Threadlocker	TL1	1
Sealer	RTV Silicone	1
Pinion Depth Shims	SK12	1
Differential Shims	SK11 ²⁸	1
Ring Gear Bolts	RGB2	10

DRK-320A

Position	Part Number	Qty
Differential Brg.	JL69349-JL69310	2
Pinion Head Brg.	M88048S-M88010	1
Pinion Tail Brg.	M86649-M86610	1
Pinion Seal	8610 (1.521x2.656)	1
Crush Sleeve	CS326	1
Pinion Nut	PN3	1
Gear Marking & Brush	GMC1-BR1	1
Threadlocker	TL1	1
Sealer	RTV Silicone	1

DRK-320AMK

Position	Part Number	Qty
Differential Brg.	JL69349-JL69310	2
Pinion Head Brg.	M88048S-M88010	1
Pinion Tail Brg.	M86649-M86610	1
Pinion Seal	8610 (1.521x2.656)	1
Crush Sleeve	CS326	1
Pinion Nut	PN3	1
Gear Marking & Brush	GMC1-BR1	1
Threadlocker	TL1	1
Sealer	RTV Silicone	1
Pinion Depth Shims	SK12	1
Ring Gear Bolts	RGB16	10

DRK-320B

Position	Part Number	Qty
Differential Brg.	LM501349-LM501314	2
Pinion Head Brg.	HM89449-HM89410	1
Pinion Tail Brg.	M86649-M86610	1
Pinion Seal	8610 (1.521x2.656)	1
Crush Sleeve	CS320	1
Pinion Nut	PN3	1
Gear Marking & Brush	GMC1-BR1	1
Threadlocker	TL1	1
Sealer	RTV Silicone	1

DRK-320BMK

Position	Part Number	Qty
Differential Brg.	LM501349-LM501314	2
Pinion Head Brg.	HM89449-HM89410	1
Pinion Tail Brg.	M86649-M86610	1
Pinion Seal	8610 (1.521x2.656)	1
Crush Sleeve	CS320	1
Pinion Nut	PN3	1
Gear Marking & Brush	GMC1-BR1	1
Threadlocker	TL1	1
Sealer	RTV Silicone	1
Pinion Depth Shims	SK12	1
Differential Shims	SK11 ²⁸	1
Ring Gear Bolts	RGB2	10

DRK-320C

Position	Part Number	Qty
Differential Brg.	LM501349-LM501314	2
Pinion Head Brg.	HM89249-HM89210	1
Pinion Tail Brg.	M86649-M86610	1
Pinion Seal	710474 (1.732x2.653)	1
Crush Sleeve	CS320	1
Pinion Nut	PN3	1
Gear Marking & Brush	GMC1-BR1	1
Threadlocker	TL1	1
Sealer	RTV Silicone	1

DRK-320CMK

Position	Part Number	Qty
Differential Brg.	LM501349-LM501314	2
Pinion Head Brg.	HM89249-HM89210	1
Pinion Tail Brg.	M86649-M86610	1
Pinion Seal	710474 (1.732x2.653)	1
Crush Sleeve	CS320	1
Pinion Nut	PN3	1
Gear Marking & Brush	GMC1-BR1	1
Threadlocker	TL1	1
Sealer	RTV Silicone	1
Pinion Depth Shims	SK12	1
Differential Shims	SK11 ²⁸	1
Ring Gear Bolts	RGB2	10

DRK-320D

Position	Part Number	Qty
Differential Brg.	LM603049-LM603012	2
Pinion Head Brg.	NP457992-NP926068	1
Pinion Tail Brg.	M86649-M86610	1
Pinion Seal	710474 (1.732x2.653)	1
Crush Sleeve	CS320	1
Pinion Nut	PN3	1
Gear Marking & Brush	GMC1-BR1	1
Threadlocker	TL1	1
Sealer	RTV Silicone	1

DRK-320DMK

Position	Part Number	Qty
Differential Brg.	LM603049-LM603012	2
Pinion Head Brg.	NP457992-NP926068	1
Pinion Tail Brg.	M86649-M86610	1
Pinion Seal	710474 (1.732x2.653)	1
Crush Sleeve	CS320	1
Pinion Nut	PN3	1
Gear Marking & Brush	GMC1-BR1	1
Threadlocker	TL1	1
Sealer	RTV Silicone	1
Pinion Depth Shims	SK4	1
Differential Shims	SK7 ²⁷	1
Ring Gear Bolts	RGB22	10

DRK-320J

Position	Part Number	Qty
Differential Brg.	LM501349-LM501314	2
Pinion Head Brg.	HM89249-HM89210	1
Pinion Tail Brg.	M86649-M86610	1
Pinion Seal	710542	1
Crush Sleeve	CS320	1
Pinion Nut	PN13	1
Gear Marking & Brush	GMC1-BR1	1
Threadlocker	TL1	1
Sealer	RTV Silicone	1

DRK-320JMK

Position	Part Number	Qty
Differential Brg.	LM501349-LM501314	2
Pinion Head Brg.	HM89249-HM89210	1
Pinion Tail Brg.	M86649-M86610	1
Pinion Seal	710542	1
Crush Sleeve	CS320	1
Pinion Nut	PN13	1
Gear Marking & Brush	GMC1-BR1	1
Threadlocker	TL1	1
Sealer	RTV Silicone	1
Pinion Depth Shims	SK12	1
Differential Shims	SK11 ²⁸	1
Ring Gear Bolts	RGB2	10

DRK-320K

Position	Part Number	Qty
Differential Brg.	JL69349-JL69310	2
Pinion Head Brg.	M88048S-M88010	1
Pinion Tail Brg.	M86649-M86610	1
Pinion Seal	710547 (1.521x2.661)	1
Crush Sleeve	CS326	1
Pinion Nut	PN3	1
Gear Marking & Brush	GMC1-BR1	1
Threadlocker	TL1	1
Sealer	RTV Silicone	1

DRK-320MKM

Position	Part Number	Qty
Differential Brg.	JL69349-JL69310	2
Pinion Head Brg.	M88048S-M88010	1
Pinion Tail Brg.	M86649-M86610	1
Pinion Seal	710547 (1.521x2.661)	1
Crush Sleeve	CS326	1
Pinion Nut	PN3	1
Gear Marking & Brush	GMC1-BR1	1
Threadlocker	TL1	1
Sealer	RTV Silicone	1
Pinion Depth Shims	SK12	1
Ring Gear Bolts	RGB16	10

DRK-320L

Position	Part Number	Qty
Differential Brg.	LM501349-LM501314	2
Pinion Head Brg.	HM89249-HM89210	1
Pinion Tail Brg.	M86649-M86610	1
Pinion Seal	710549 (1.682x2.660)	1
Crush Sleeve	CS320	1
Pinion Nut	PN3	1
Gear Marking & Brush	GMC1-BR1	1
Threadlocker	TL1	1
Sealer	RTV Silicone	1

DRK-320LMK

Position	Part Number	Qty
Differential Brg.	LM501349-LM501314	2
Pinion Head Brg.	HM89249-HM89210	1
Pinion Tail Brg.	M86649-M86610	1
Pinion Seal	710549 (1.682x2.660)	1
Crush Sleeve	CS320	1
Pinion Nut	PN3	1
Gear Marking & Brush	GMC1-BR1	1
Threadlocker	TL1	1
Sealer	RTV Silicone	1
Pinion Depth Shims	SK12	1
Differential Shims	SK11 ²⁸	1
Ring Gear Bolts	RGB2	10

Light Duty Differential Rebuild Kits

DRK-321		
Position	Part Number	Qty
Differential Brg.	LM501349-LM501314	2
Pinion Head Brg.	M802048-M802011	1
Pinion Tail Brg.	M88048-M88010	1
Pinion Seal	2043 (1.940x2.762)	1
Pinion Seal	8622 (1.940x2.813)	1
Crush Sleeve	CS321	1
Pinion Nut	PN3	1
Gear Marking & Brush	GMC1-BR1	1
Threadlocker	TL1	1
Sealer	RTV Silicone	1

DRK-321MK		
Position	Part Number	Qty
Differential Brg.	LM501349-LM501314	2
Pinion Head Brg.	M802048-M802011	1
Pinion Tail Brg.	M88048-M88010	1
Pinion Seal	2043 (1.940x2.762)	1
Pinion Seal	8622 (1.940x2.813)	1
Crush Sleeve	CS321	1
Pinion Nut	PN3	1
Gear Marking & Brush	GMC1-BR1	1
Threadlocker	TL1	1
Sealer	RTV Silicone	1
Pinion Depth Shims	SK4	1
Differential Shims	SK11 ²⁸	1
Ring Gear Bolts	RGB2	10

DRK-321A		
Position	Part Number	Qty
Differential Brg.	LM501349-LM501314	2
Pinion Head Brg.	M802048-M802011	1
Pinion Tail Brg.	M88048-M88010	1
Pinion Seal	710281 (1.940x2.900)	1
Crush Sleeve	CS321	1
Pinion Nut	PN3	1
Gear Marking & Brush	GMC1-BR1	1
Threadlocker	TL1	1
Sealer	RTV Silicone	1

DRK-321AMK		
Position	Part Number	Qty
Differential Brg.	LM501349-LM501314	2
Pinion Head Brg.	M802048-M802011	1
Pinion Tail Brg.	M88048-M88010	1
Pinion Seal	710281 (1.940x2.900)	1
Crush Sleeve	CS321	1
Pinion Nut	PN3	1
Gear Marking & Brush	GMC1-BR1	1
Threadlocker	TL1	1
Sealer	RTV Silicone	1
Pinion Depth Shims	SK4	1
Ring Gear Bolts	RGB2	10

DRK-321B		
Position	Part Number	Qty
Differential Brg.	LM501349-LM501314	2
Pinion Head Brg.	HM89449-HM89410	1
Pinion Tail Brg.	M86649-M86610	1
Pinion Seal	8610 (1.521x2.656)	1
Crush Sleeve	CS320 ⁷	1
Pinion Nut	PN4	1
Gear Marking & Brush	GMC1-BR1	1
Threadlocker	TL1	1
Sealer	RTV Silicone	1

DRK-321BMK		
Position	Part Number	Qty
Differential Brg.	LM501349-LM501314	2
Pinion Head Brg.	HM89449-HM89410	1
Pinion Tail Brg.	M86649-M86610	1
Pinion Seal	8610 (1.521x2.656)	1
Crush Sleeve	CS320 ⁷	1
Pinion Nut	PN4	1
Gear Marking & Brush	GMC1-BR1	1
Threadlocker	TL1	1
Sealer	RTV Silicone	1
Pinion Depth Shims	SK12	1
Differential Shims	SK11 ²⁸	1
Ring Gear Bolts	RGB5	10

DRK-321C		
Position	Part Number	Qty
Differential Brg.	LM603049-LM603012	2
Pinion Head Brg.	STD4183KELFT	1
Pinion Tail Brg.	M88048-M88010	1
Pinion Seal	710506 (2.088x2.763)	1
Crush Sleeve	CS321	1
Pinion Nut	PN3	1
Gear Marking & Brush	GMC1-BR1	1
Threadlocker	TL1	1
Sealer	RTV Silicone	1

DRK-321CMK		
Position	Part Number	Qty
Differential Brg.	LM603049-LM603012	2
Pinion Head Brg.	STD4183KELFT	1
Pinion Tail Brg.	M88048-M88010	1
Pinion Seal	710506 (2.088x2.763)	1
Crush Sleeve	CS321	1
Pinion Nut	PN3	1
Gear Marking & Brush	GMC1-BR1	1
Threadlocker	TL1	1
Sealer	RTV Silicone	1
Pinion Depth Shims	SK4	1
Differential Shims	SK7 ²⁷	1
Ring Gear Bolts	RGB2	10

DRK-321D		
Position	Part Number	Qty
Differential Brg.	LM102949-LM102911	2
Pinion Head Brg.	M802048-M802011	1
Pinion Tail Brg.	M88048-M88010	1
Pinion Seal	2043 (1.940x2.762)	1
Crush Sleeve	CS321	1
Pinion Nut	PN3	1
Gear Marking & Brush	GMC1-BR1	1
Threadlocker	TL1	1
Sealer	RTV Silicone	1

DRK-321DMK		
Position	Part Number	Qty
Differential Brg.	LM102949-LM102911	2
Pinion Head Brg.	M802048-M802011	1
Pinion Tail Brg.	M88048-M88010	1
Pinion Seal	2043 (1.940x2.762)	1
Crush Sleeve	CS321	1
Pinion Nut	PN3	1
Gear Marking & Brush	GMC1-BR1	1
Threadlocker	TL1	1
Sealer	RTV Silicone	1
Pinion Depth Shims	SK4	1
Differential Shims	SK11 ²⁸	1
Ring Gear Bolts	RGB2	10

DRK-321G		
Position	Part Number	Qty
Differential Brg.	LM603049-LM603014	2
Pinion Head Brg.	HM89449-HM89410	1
Pinion Tail Brg.	HM88547-HM88510	1
Pinion Seal	6818 (1.739x3.000)	1
Crush Sleeve	CS331	1
Pinion Nut	PN4	1
Gear Marking & Brush	GMC1-BR1	1
Threadlocker	TL1	1
Sealer	RTV Silicone	1

DRK-321GMK		
Position	Part Number	Qty
Differential Brg.	LM603049-LM603014	2
Pinion Head Brg.	HM89449-HM89410	1
Pinion Tail Brg.	HM88547-HM88510	1
Pinion Seal	6818 (1.739x3.000)	1
Crush Sleeve	CS331	1
Pinion Nut	PN4	1
Gear Marking & Brush	GMC1-BR1	1
Threadlocker	TL1	1
Sealer	RTV Silicone	1
Pinion Depth Shims	SK12	1
Ring Gear Bolts	RGB5	10

DRK-321H		
Position	Part Number	Qty
Differential Brg.	LM501349-LM501314	2
Pinion Head Brg.	HM89449-HM89410	1
Pinion Tail Brg.	M86649-M86610	1
Pinion Seal	2043 (1.940x2.762)	1
Crush Sleeve	CS320	1
Pinion Nut	PN3	1
Gear Marking & Brush	GMC1-BR1	1
Threadlocker	TL1	1
Sealer	RTV Silicone	1

DRK-321HMK		
Position	Part Number	Qty
Differential Brg.	LM501349-LM501314	2
Pinion Head Brg.	HM89449-HM89410	1
Pinion Tail Brg.	M86649-M86610	1
Pinion Seal	2043 (1.940x2.762)	1
Crush Sleeve	CS320	1
Pinion Nut	PN3	1
Gear Marking & Brush	GMC1-BR1	1
Threadlocker	TL1	1
Sealer	RTV Silicone	1
Pinion Depth Shims	SK12	1
Differential Shims	SK11 ²⁸	1
Ring Gear Bolts	RGB5	10

DRK-321N		
Position	Part Number	Qty
Differential Brg.	LM501349-LM501314	2
Pinion Head Brg.	M802048-M802011	1
Pinion Tail Brg.	M86649-M86610	1
Pinion Seal	2043 (1.94x2.762)	1
Crush Sleeve	CS348	1
Pinion Nut	PN3	1
Gear Marking & Brush	GMC1-BR1	1
Threadlocker	TL1	1
Sealer	RTV Silicone	1

LD Differential

⁷Order CS322 if using OEM Ring & Pinion Set . ²⁷Order SSK7 for stackable differential shims.
²⁸Order SSK11 for stackable differential shims.

Light Duty Differential Rebuild Kits



LD Differential

DRK-321NMK

Position	Part Number	Qty
Differential Brg.	LM501349-LM501314	2
Pinion Head Brg.	M802048-M802011	1
Pinion Tail Brg.	M86649-M86610	1
Pinion Seal	2043 (1.94x2.762)	1
Crush Sleeve	CS348	1
Pinion Nut	PN3	1
Gear Marking & Brush	GMC1-BR1	1
Threadlocker	TL1	1
Sealer	RTV Silicone	1
Pinion Depth Shims	SK4	1
Differential Shims	SK11 ²⁸	1
Ring Gear Bolts	RGB2	10

DRK-321Q

Position	Part Number	Qty
Differential Brg.	LM603049-LM603012	2
Pinion Head Brg.	STA4195	1
Pinion Tail Brg.	STB3372	1
Pinion Seal	710507 (2.088x2.911)	1
Crush Sleeve	CS321	1
Pinion Nut	PN3	1
Gear Marking & Brush	GMC1-BR1	1
Threadlocker	TL1	1
Sealer	RTV Silicone	1

DRK-321QM

Position	Part Number	Qty
Differential Brg.	LM603049-LM603012	2
Pinion Head Brg.	STA4195	1
Pinion Tail Brg.	STB3372	1
Pinion Seal	710507 (2.088x2.911)	1
Crush Sleeve	CS321	1
Pinion Nut	PN3	1
Gear Marking & Brush	GMC1-BR1	1
Threadlocker	TL1	1
Sealer	RTV Silicone	1
Pinion Depth Shims	SK4	1
Differential Shims	SK7 ²⁷	1
Ring Gear Bolts	RGB2	10

DRK-321R

Position	Part Number	Qty
Differential Brg.	LM501349-LM501314	2
Pinion Head Brg.	M802048-M802011	1
Pinion Tail Brg.	M88048-M88010	1
Pinion Seal	2043 (1.940x2.762)	1
Crush Sleeve	CS321	1
Pinion Nut	PN3	1
Gear Marking & Brush	GMC1-BR1	1
Threadlocker	TL1	1
Sealer	RTV Silicone	1

DRK-321RMK

Position	Part Number	Qty
Differential Brg.	LM501349-LM501314	2
Pinion Head Brg.	M802048-M802011	1
Pinion Tail Brg.	M88048-M88010	1
Pinion Seal	2043 (1.940x2.762)	1
Crush Sleeve	CS321	1
Pinion Nut	PN3	1
Gear Marking & Brush	GMC1-BR1	1
Threadlocker	TL1	1
Sealer	RTV Silicone	1
Pinion Depth Shims	SK4	1
Differential Shims	SK11 ²⁸	1
Ring Gear Bolts	RGB2	10

DRK-321S

Position	Part Number	Qty
Differential Brg.	KETR100802A/STAOZ	2
Pinion Head Brg.	HM804846-HM804810	1
Pinion Tail Brg.	32207	1
Pinion Seal	710866 (2.125x2.909)	1
Crush Sleeve	CS324	1
Pinion Nut	PN13	1
Gear Marking & Brush	GMC1-BR1	1
Threadlocker	TL1	1
Sealer	RTV Silicone	1

DRK-321SMK

Position	Part Number	Qty
Differential Brg.	KETR100802A/STAOZ	2
Pinion Head Brg.	HM804846-HM804810	1
Pinion Tail Brg.	32207	1
Pinion Seal	710866 (2.125x2.909)	1
Crush Sleeve	CS324	1
Pinion Nut	PN13	1
Gear Marking & Brush	GMC1-BR1	1
Threadlocker	TL1	1
Sealer	RTV Silicone	1
Pinion Depth Shims	SK3	1
Differential Shims	SK7 ²⁷	1
Ring Gear Bolts	RGB2	10

DRK-321T

Position	Part Number	Qty
Differential Brg.	LM501349-LM501314	2
Pinion Head Brg.	M802048-M802011	1
Pinion Tail Brg.	M88048-M88010	1
Pinion Seal	710536 (49x74)	1
Crush Sleeve	CS321	1
Pinion Nut	PN3	1
Gear Marking & Brush	GMC1-BR1	1
Threadlocker	TL1	1
Sealer	RTV Silicone	1

DRK-321TMK

Position	Part Number	Qty
Differential Brg.	LM501349-LM501314	2
Pinion Head Brg.	M802048-M802011	1
Pinion Tail Brg.	M88048-M88010	1
Pinion Seal	710536 (49x74)	1
Crush Sleeve	CS321	1
Pinion Nut	PN3	1
Gear Marking & Brush	GMC1-BR1	1
Threadlocker	TL1	1
Sealer	RTV Silicone	1
Pinion Depth Shims	SK4	1
Ring Gear Bolts	RGB2	10

DRK-322

Position	Part Number	Qty
Differential Brg.	LM603049-LM603012	2
Pinion Head Brg.	HM89449-HM89410	1
Pinion Tail Brg.	M88048-M88010	1
Pinion Seal	8460N (1.739x2.812)	1
Crush Sleeve	CS322	1
Pinion Nut	PN4	1
Gear Marking & Brush	GMC1-BR1	1
Threadlocker	TL1	1
Sealer	RTV Silicone	1

DRK-322MK

Position	Part Number	Qty
Differential Brg.	LM603049-LM603012	2
Pinion Head Brg.	HM89449-HM89410	1
Pinion Tail Brg.	M88048-M88010	1
Pinion Seal	8460N (1.739x2.812)	1
Crush Sleeve	CS322	1
Pinion Nut	PN4	1
Gear Marking & Brush	GMC1-BR1	1
Threadlocker	TL1	1
Sealer	RTV Silicone	1
Pinion Depth Shims	SK12	1
Differential Shims	SK7 ²⁷	1
Ring Gear Bolts	RGB5	12

DRK-323

Position	Part Number	Qty
Differential Brg.	LM603049-LM603012	2
Pinion Head Brg.	M802048-M802011	1
Pinion Tail Brg.	M88048-M88010	1
Pinion Seal	6109 (1.675x2.820)	1
Pinion Seal	2043 (1.940x2.762)	1
Crush Sleeve	CS321	1
Crush Sleeve (Corvette)	CS323C	1
Pinion Nut	PN4	1
Gear Marking & Brush	GMC1-BR1	1
Threadlocker	TL1	1
Sealer	RTV Silicone	1

DRK-323MK

Position	Part Number	Qty
Differential Brg.	LM603049-LM603012	2
Pinion Head Brg.	M802048-M802011	1
Pinion Tail Brg.	M88048-M88010	1
Pinion Seal	6109 (1.675x2.820)	1
Pinion Seal	2043 (1.940x2.762)	1
Crush Sleeve	CS321	1
Crush Sleeve (Corvette)	CS323C	1
Pinion Nut	PN4	1
Gear Marking & Brush	GMC1-BR1	1
Threadlocker	TL1	1
Sealer	RTV Silicone	1
Pinion Depth Shims	SK4	1
Differential Shims	SK7 ²⁷	1
Ring Gear Bolts	RGB5	12
Pinion Seal - Corvette	6109	1

DRK-323A

Position	Part Number	Qty
Differential Brg.	LM603049-LM603012	2
Pinion Head Brg.	M802048-M802011	1
Pinion Tail Brg.	M88048-M88010	1
Pinion Seal	8460N (1.739x2.812)	1
Crush Sleeve	CS323	1
Pinion Nut	PN4	1
Gear Marking & Brush	GMC1-BR1	1
Threadlocker	TL1	1
Sealer	RTV Silicone	1

DRK-323AMK

Position	Part Number	Qty
Differential Brg.	LM603049-LM603012	2
Pinion Head Brg.	M802048-M802011	1
Pinion Tail Brg.	M88048-M88010	1
Pinion Seal	8460N (1.739x2.812)	1
Crush Sleeve	CS323	1
Pinion Nut	PN4	1
Gear Marking & Brush	GMC1-BR1	1
Threadlocker	TL1	1
Sealer	RTV Silicone	1
Pinion Depth Shims	SK4	1
Differential Shims	SK7 ²⁷	1
Ring Gear Bolts	RGB5	12

Light Duty Differential Rebuild Kits

DRK-324		
Position	Part Number	Qty
Differential Brg.	JLM506849A-JLM506811	2
Pinion Head Brg.	HM804846-HM804810	1
Pinion Tail Brg.	HM88649-HM88610	1
Pinion Seal	3896 (1.940x2.909)	1
Crush Sleeve	CS324	1
Pinion Nut	PN3	1
Gear Marking & Brush	GMC1-BR1	1
Threadlocker	TL1	1
Sealer	RTV Silicone	1

DRK-324MK		
Position	Part Number	Qty
Differential Brg.	JLM506849A-JLM506811	2
Pinion Head Brg.	HM804846-HM804810	1
Pinion Tail Brg.	HM88649-HM88610	1
Pinion Seal	3896 (1.940x2.909)	1
Crush Sleeve	CS324	1
Pinion Nut	PN3	1
Gear Marking & Brush	GMC1-BR1	1
Threadlocker	TL1	1
Sealer	RTV Silicone	1
Pinion Depth Shims	SK3	1
Differential Shims	SK13 ⁵⁴	1
Ring Gear Bolts	RGB8	12

DRK-324A		
Position	Part Number	Qty
Differential Brg.	JLM506849A-JLM506811	2
Pinion Head Brg.	HM804846-HM804810	1
Pinion Tail Brg.	HM88649-HM88610	1
Pinion Seal	710281 (1.940x2.900)	1
Crush Sleeve	CS324	1
Pinion Nut	PN3	1
Gear Marking & Brush	GMC1-BR1	1
Threadlocker	TL1	1
Sealer	RTV Silicone	1

DRK-324MK		
Position	Part Number	Qty
Differential Brg.	JLM506849A-JLM506811	2
Pinion Head Brg.	HM804846-HM804810	1
Pinion Tail Brg.	HM88649-HM88610	1
Pinion Seal	710281 (1.940x2.900)	1
Crush Sleeve	CS324	1
Pinion Nut	PN3	1
Gear Marking & Brush	GMC1-BR1	1
Threadlocker	TL1	1
Sealer	RTV Silicone	1
Pinion Depth Shims	SK3	1
Differential Shims	SK13 ⁵⁴	1
Ring Gear Bolts	RGB8	12

DRK-324B		
Position	Part Number	Qty
Differential Brg.	JLM506849A-JLM506811	2
Pinion Head Brg.	HM804846-HM804810	1
Pinion Tail Brg.	HM88649-HM88610	1
Pinion Seal	710507 (2.088x2.911)	1
Crush Sleeve	CS324	1
Pinion Nut	PN3	1
Gear Marking & Brush	GMC1-BR1	1
Threadlocker	TL1	1
Sealer	RTV Silicone	1

DRK-324BMK		
Position	Part Number	Qty
Differential Brg.	JLM506849A-JLM506811	2
Pinion Head Brg.	HM804846-HM804810	1
Pinion Tail Brg.	HM88649-HM88610	1
Pinion Seal	710507 (2.088x2.911)	1
Crush Sleeve	CS324	1
Pinion Nut	PN3	1
Gear Marking & Brush	GMC1-BR1	1
Threadlocker	TL1	1
Sealer	RTV Silicone	1
Pinion Depth Shims	SK13	1
Differential Shims	SK3	1
Ring Gear Bolts	RGB8	12

DRK-324C		
Position	Part Number	Qty
Differential Brg.	JLM506849A-JLM506811	2
Pinion Head Brg.	HM804846-HM804810	1
Pinion Tail Brg.	HM88649-HM88610	1
Pinion Seal	710536 (49x74)	1
Crush Sleeve	CS324	1
Pinion Nut	PN3	1
Gear Marking & Brush	GMC1-BR1	1
Threadlocker	TL1	1
Sealer	RTV Silicone	1

DRK-324MK		
Position	Part Number	Qty
Differential Brg.	JLM506849A-JLM506811	2
Pinion Head Brg.	HM804846-HM804810	1
Pinion Tail Brg.	HM88649-HM88610	1
Pinion Seal	710536 (49x74)	1
Crush Sleeve	CS324	1
Pinion Nut	PN3	1
Gear Marking & Brush	GMC1-BR1	1
Threadlocker	TL1	1
Sealer	RTV Silicone	1
Pinion Depth Shims	SK3	1
Differential Shims	SK13 ⁵⁴	1
Ring Gear Bolts	RGB8	12

DRK-324D		
Position	Part Number	Qty
Differential Brg.	JLM506849A-JLM506811	2
Pinion Head Brg.	NP256771-NP468253	1
Pinion Tail Brg.	HM88649-HM88610	1
Pinion Seal	710536 (49x74)	1
Crush Sleeve	CS324	1
Pinion Nut	PN3	1
Gear Marking & Brush	GMC1-BR1	1
Threadlocker	TL1	1
Sealer	RTV Silicone	1

DRK-324DMK		
Position	Part Number	Qty
Differential Brg.	JLM506849A-JLM506811	2
Pinion Head Brg.	NP256771-NP468253	1
Pinion Tail Brg.	HM88649-HM88610	1
Pinion Seal	710536 (49x74)	1
Crush Sleeve	CS324	1
Pinion Nut	PN3	1
Gear Marking & Brush	GMC1-BR1	1
Threadlocker	TL1	1
Sealer	RTV Silicone	1
Pinion Depth Shims	SK3	1
Differential Shims	SK13 ⁵⁴	1
Ring Gear Bolts	RGB8	12

DRK-324E		
Position	Part Number	Qty
Differential Brg.	JLM506849A-JLM506811	2
Pinion Head Brg.	STA4895-1	1
Pinion Tail Brg.	HM88649-HM88610	1
Pinion Seal	22943111	1
Crush Sleeve	CS361	1
Pinion Nut	PN13	1
Gear Marking & Brush	GMC1-BR1	1
Threadlocker	TL1	1
Sealer	RTV Silicone	1

DRK-324EMK		
Position	Part Number	Qty
Differential Brg.	JLM506849A-JLM506811	2
Pinion Head Brg.	STA4895-1	1
Pinion Tail Brg.	HM88649-HM88610	1
Pinion Seal	22943111	1
Crush Sleeve	CS361	1
Pinion Nut	PN13	1
Pinion Depth Shims	SK3	1
Differential Shims	SK13 ⁵⁴	1
Gear Marking & Brush	GMC1-BR1	1
Threadlocker	TL1	1
Sealer	RTV Silicone	1
Ring Gear Bolts	RGB8	12

DRK-324G		
Position	Part Number	Qty
Differential Brg.	JLM506849A-JLM506811	2
Pinion Head Brg.	HM804846-HM804810	1
Pinion Tail Brg.	HM88649-HM88610	1
Pinion Seal	710558 (2.125x2.914)	1
Crush Sleeve	CS324	1
Pinion Nut	PN3	1
Gear Marking & Brush	GMC1-BR1	1
Threadlocker	TL1	1
Sealer	RTV Silicone	1

DRK-324MK		
Position	Part Number	Qty
Differential Brg.	JLM506849A-JLM506811	2
Pinion Head Brg.	HM804846-HM804810	1
Pinion Tail Brg.	HM88649-HM88610	1
Pinion Seal	710558 (2.125x2.914)	1
Crush Sleeve	CS324	1
Pinion Nut	PN3	1
Gear Marking & Brush	GMC1-BR1	1
Threadlocker	TL1	1
Sealer	RTV Silicone	1
Pinion Depth Shims	SK3	1
Differential Shims	SK13 ⁵⁴	1
Ring Gear Bolts	RGB8	12

DRK-324H		
Position	Part Number	Qty
Differential Brg.	JLM506849A-JLM506811	2
Pinion Head Brg.	F580408.RTR-F580408.LTR	1
Pinion Tail Brg.	HM89249-HM89210	1
Pinion Seal	22943111	1
Crush Sleeve	CS313	1
Pinion Nut	PN13	1
Gear Marking & Brush	GMC1-BR1	1
Threadlocker	TL1	1
Sealer	RTV Silicone	1

LD Differential

⁵⁴Order SSK13 for stackable differential shims.

Light Duty Differential Rebuild Kits



LD Differential

DRK-324HMK		
Position	Part Number	Qty
Differential Brg.	JLM506849A-JLM506811	2
Pinion Head Brg.	F580408.RTR-F580408.LTR	1
Pinion Tail Brg.	HM89249-HM89210	1
Pinion Seal	22943111	1
Crush Sleeve	CS313	1
Pinion Nut	PN13	1
Gear Marking & Brush	GMC1-BR1	1
Threadlocker	TL1	1
Sealer	RTV Silicone	1
Pinion Depth Shims	SK22	1
Differential Shims	SK13 ⁵⁴	1
Ring Gear Bolts	RGB8	12

DRK-325		
Position	Part Number	Qty
Differential Brg.	387AS-382A	2
Pinion Head Brg.	HM803149-HM803110	1
Pinion Tail Brg.	M802048-M802011	1
Pinion Nose Brg.	R1581TV	1
Pinion Seal	2286 (2.201x3.519)	1
Crush Sleeve	CS325	1
Pinion Nut	PN7	1
Gear Marking & Brush	GMC1-BR1	1
Threadlocker	TL1	1
Sealer	RTV Silicone	1

DRK-325MK		
Position	Part Number	Qty
Differential Brg.	387AS-382A	2
Pinion Head Brg.	HM803149-HM803110	1
Pinion Tail Brg.	M802048-M802011	1
Pinion Nose Brg.	R1581TV	1
Pinion Seal	2286 (2.201x3.519)	1
Crush Sleeve	CS325	1
Pinion Nut	PN7	1
Gear Marking & Brush	GMC1-BR1	1
Threadlocker	TL1	1
Sealer	RTV Silicone	1
Pinion Depth Shims	SK14	1
Ring Gear Bolts	RGB9 ⁸	12

DRK-325A		
Position	Part Number	Qty
Differential Brg.	387AS-382A	2
Pinion Head Brg.	HM903249-HM903210	1
Pinion Tail Brg.	M802048-M802011	1
Pinion Nose Brg.	R1581TV	1
Pinion Seal	2286 (2.201x3.519)	1
Crush Sleeve	CS325A	1
Pinion Nut	PN7	1
Gear Marking & Brush	GMC1-BR1	1
Threadlocker	TL1	1
Sealer	RTV Silicone	1

DRK-325AMK		
Position	Part Number	Qty
Differential Brg.	387AS-382A	2
Pinion Head Brg.	HM903249-HM903210	1
Pinion Tail Brg.	M802048-M802011	1
Pinion Nose Brg.	R1581TV	1
Pinion Seal	2286 (2.201x3.519)	1
Crush Sleeve	CS325A	1
Pinion Nut	PN7	1
Gear Marking & Brush	GMC1-BR1	1
Threadlocker	TL1	1
Sealer	RTV Silicone	1
Pinion Depth Shims	SK14	1
Ring Gear Bolts	RGB9 ⁸	12

DRK-325B		
Position	Part Number	Qty
Differential Brg.	387AS-382A	2
Pinion Head Brg.	HM903249-HM903210	1
Pinion Tail Brg.	M802048-M802011	1
Pinion Nose Brg.	R1581TV	1
Pinion Seal	710508 (2.324x3.541)	1
Crush Sleeve	CS325A	1
Pinion Nut	PN7	1
Gear Marking & Brush	GMC1-BR1	1
Threadlocker	TL1	1
Sealer	RTV Silicone	1

DRK-325BMK		
Position	Part Number	Qty
Differential Brg.	387AS-382A	2
Pinion Head Brg.	HM903249-HM903210	1
Pinion Tail Brg.	M802048-M802011	1
Pinion Nose Brg.	R1581TV	1
Pinion Seal	710508 (2.324x3.541)	1
Crush Sleeve	CS325A	1
Pinion Nut	PN7	1
Gear Marking & Brush	GMC1-BR1	1
Threadlocker	TL1	1
Sealer	RTV Silicone	1
Pinion Depth Shims	SK14	1
Ring Gear Bolts	RGB9	12

DRK-325C		
Position	Part Number	Qty
Differential Brg.	JLM506849A-JLM506811	2
Pinion Head Brg.	HM807046-HM807010	1
Pinion Tail Brg.	STD4183KELFT	1
Pinion Seal	20964040	1
Crush Sleeve	CS312	1
Pinion Nut	PN25	1
Gear Marking & Brush	GMC1-BR1	1
Threadlocker	TL1	1
Sealer	RTV Silicone	1

DRK-325CMK		
Position	Part Number	Qty
Differential Brg.	JLM506849A-JLM506811	2
Pinion Head Brg.	HM807046-HM807010	1
Pinion Tail Brg.	STD4183KELFT	1
Pinion Seal	20964040	1
Crush Sleeve	CS312	1
Pinion Nut	PN25	1
Gear Marking & Brush	GMC1-BR1	1
Threadlocker	TL1	1
Sealer	RTV Silicone	1
Pinion Depth Shims	SK54	1
Differential Shims	SK13 ⁵⁴	1
Ring Gear Bolts	RGB34	12

DRK-325D		
Position	Part Number	Qty
Differential Brg.	JLM506849A-JLM506811	2
Pinion Head Brg.	NP761271-NP998236	1
Pinion Tail Brg.	M802048-M802011	1
Pinion Seal	20964040	1
Crush Sleeve	CS341	1
Pinion Nut	PN17	1
Gear Marking & Brush	GMC1-BR1	1
Threadlocker	TL1	1
Sealer	RTV Silicone	1

DRK-325DMK		
Position	Part Number	Qty
Differential Brg.	JLM506849A-JLM506811	2
Pinion Head Brg.	NP761271-NP998236	1
Pinion Tail Brg.	M802048-M802011	1
Pinion Seal	20964040	1
Crush Sleeve	CS341	1
Pinion Nut	PN17	1
Gear Marking & Brush	GMC1-BR1	1
Threadlocker	TL1	1
Sealer	RTV Silicone	1
Pinion Depth Shims	SK3	1
Differential Shims	SK13	1
Ring Gear Bolts	RGB37	12

DRK-326		
Position	Part Number	Qty
Differential Brg.	LM102949-LM102911	2
Pinion Head Brg.	HM89446-HM89410	1
Pinion Tail Brg.	M86649-M86610	1
Pinion Seal	7457N (1.656x2.623)	1
Crush Sleeve	CS310	1
Pinion Nut	PN12	1
Gear Marking & Brush	GMC1-BR1	1
Threadlocker	TL1	1
Sealer	RTV Silicone	1

DRK-326MK		
Position	Part Number	Qty
Differential Brg.	LM102949-LM102911	2
Pinion Head Brg.	HM89446-HM89410	1
Pinion Tail Brg.	M86649-M86610	1
Pinion Seal	7457N (1.656x2.623)	1
Crush Sleeve	CS310	1
Pinion Nut	PN12	1
Gear Marking & Brush	GMC1-BR1	1
Threadlocker	TL1	1
Sealer	RTV Silicone	1
Pinion Depth Shims	SK12	1
Differential Shims	SK11 ²⁸	1
Ring Gear Bolts	RGB2	8

DRK-326A		
Position	Part Number	Qty
Differential Brg.	LM102949-LM102910	2
Pinion Head Brg.	HM89446-HM89410	1
Pinion Tail Brg.	M86649-M86610	1
Pinion Seal	7457N (1.656x2.623)	1
Crush Sleeve	CS310	1
Pinion Nut	PN13	1
Gear Marking & Brush	GMC1-BR1	1
Threadlocker	TL1	1
Sealer	RTV Silicone	1
Axle Shaft Seal	1174	2

DRK-326AMK		
Position	Part Number	Qty
Differential Brg.	LM102949-LM102910	2
Pinion Head Brg.	HM89446-HM89410	1
Pinion Tail Brg.	M86649-M86610	1
Pinion Seal	7457N (1.656x2.623)	1
Crush Sleeve	CS310	1
Pinion Nut	PN13	1
Gear Marking & Brush	GMC1-BR1	1
Threadlocker	TL1	1
Sealer	RTV Silicone	1
Pinion Depth Shims	SK12	1
Differential Shims	SK25	1
Ring Gear Bolts	RGB2	8
Axle Shaft Seal	1174	2

Light Duty Differential Rebuild Kits

DRK-326B		
Position	Part Number	Qty
Differential Brg.	JLM104948-9X147	2
Pinion Head Brg.	HM803149-HM803110	1
Pinion Tail Brg.	HM89449-HM89410	1
Pinion Seal	92191954	1
Crush Sleeve	CS353	1
Pinion Nut	PN20	1
Gear Marking & Brush	GMC1-BR1	1
Threadlocker	TL1	1
Sealer	RTV Silicone	1

DRK-326BMK		
Position	Part Number	Qty
Differential Brg.	JLM104948-9X147	2
Pinion Head Brg.	HM803149-HM803110	1
Pinion Tail Brg.	HM89449-HM89410	1
Pinion Seal	92191954	1
Crush Sleeve	CS353	1
Pinion Nut	PN20	1
Pinion Depth Shims	SK1	1
Differential Shims	SK50	1
Ring Gear Bolts	RGB30	10
Gear Marking & Brush	GMC1-BR1	1
Threadlocker	TL1	1
Sealer	RTV Silicone	1

DRK-327		
Position	Part Number	Qty
Differential Brg.	3984-3920	2
Pinion Head Brg.	HM807046-HM807010	1
Pinion Tail Brg.	M802048-M802011	1
Pinion Seal	710508 (2.324x3.541)	1
Crush Sleeve	CS341	1
Pinion Nut	PN17	1
Gear Marking & Brush	GMC1-BR1	1
Threadlocker	TL1	1
Sealer	RTV Silicone	1

DRK-327MK		
Position	Part Number	Qty
Differential Brg.	3984-3920	2
Pinion Head Brg.	HM807046-HM807010	1
Pinion Tail Brg.	M802048-M802011	1
Pinion Seal	710508 (2.324x3.541)	1
Crush Sleeve	CS341	1
Pinion Nut	PN17	1
Gear Marking & Brush	GMC1-BR1	1
Threadlocker	TL1	1
Sealer	RTV Silicone	1
Pinion Depth Shims	SK54	1
Ring Gear Bolts	RGB21	12
Pinion Seal Sleeve	26060977	1

DRK-327A		
Position	Part Number	Qty
Differential Brg.	3984-3920	2
Pinion Head Brg.	NP516549-NP673386	1
Pinion Tail Brg.	M802048-M802011	1
Pinion Seal	710508 (2.324x3.541)	1
Crush Sleeve	CS341	1
Pinion Nut	PN17	1
Gear Marking & Brush	GMC1-BR1	1
Threadlocker	TL1	1
Sealer	RTV Silicone	1

DRK-327AMK		
Position	Part Number	Qty
Differential Brg.	3984-3920	2
Pinion Head Brg.	NP516549-NP673386	1
Pinion Tail Brg.	M802048-M802011	1
Pinion Seal	710508 (2.324x3.541)	1
Crush Sleeve	CS341	1
Pinion Nut	PN17	1
Gear Marking & Brush	GMC1-BR1	1
Threadlocker	TL1	1
Sealer	RTV Silicone	1
Pinion Depth Shims	SK54	1
Ring Gear Bolts	RGB21	12
Pinion Seal Sleeve	26060977	1

DRK-327B		
Position	Part Number	Qty
Differential Brg.	3984-3920	2
Pinion Head Brg.	NP848872-NP673386	1
Pinion Tail Brg.	HM807046-HM807010	1
Pinion Seal	68237720AA	1
Crush Sleeve	CS356-11.5"	1
Crush Sleeve	CS341-11.8"	1
Pinion Nut	PN17	1
Gear Marking & Brush	GMC1-BR1	1
Threadlocker	TL1	1
Sealer	RTV Silicone	1

DRK-327BMK		
Position	Part Number	Qty
Differential Brg.	3984-3920	2
Pinion Head Brg.	NP848872-NP673386	1
Pinion Tail Brg.	HM807046-HM807010	1
Pinion Seal	68237720AA	1
Crush Sleeve	CS356-11.5"	1
Crush Sleeve	CS341-11.8"	1
Pinion Nut	PN17	1
Gear Marking & Brush	GMC1-BR1	1
Threadlocker	TL1	1
Sealer	RTV Silicone	1
Pinion Depth Shims	SK54	1
Ring Gear Bolts	RGB21	16
Pinion Seal Sleeve	26060977	1

DRK-327BMK1		
Position	Part Number	Qty
Differential Brg.	3984-3920	2
Pinion Head Brg.	NP848872-NP673386	1
Pinion Tail Brg.	HM807046-HM807010	1
Pinion Seal	68237720AA	1
Crush Sleeve	CS356-11.5"	1
Crush Sleeve	CS341-11.8"	1
Pinion Nut	PN17	1
Gear Marking & Brush	GMC1-BR1	1
Threadlocker	TL1	1
Sealer	RTV Silicone	1
Pinion Depth Shims	SK54	1
Ring Gear Bolts	RGB38	16
Pinion Seal Sleeve	26060977	1

DRK-327C		
Position	Part Number	Qty
Differential Brg.	3984-3920	2
Pinion Head Brg.	NP848872-NP673386	1
Pinion Tail Brg.	M802048-M802011	1
Pinion Seal	68237720AA	1
Crush Sleeve	CS356-11.5"	1
Crush Sleeve	CS341-11.8"	1
Pinion Nut	PN17	1
Gear Marking & Brush	GMC1-BR1	1
Threadlocker	TL1	1
Sealer	RTV Silicone	1

DRK-327CMK		
Position	Part Number	Qty
Differential Brg.	3984-3920	2
Pinion Head Brg.	NP848872-NP673386	1
Pinion Tail Brg.	M802048-M802011	1
Pinion Seal	68237720AA	1
Crush Sleeve	CS356-11.5"	1
Crush Sleeve	CS341-11.8"	1
Pinion Nut	PN17	1
Gear Marking & Brush	GMC1-BR1	1
Threadlocker	TL1	1
Sealer	RTV Silicone	1
Pinion Depth Shims	SK54	1
Ring Gear Bolts	RGB21	16
Pinion Seal Sleeve	26060977	1

DRK-328		
Position	Part Number	Qty
Differential Brg.	387A-382A	2
Pinion Head Brg.	NP201062-NP101912	1
Pinion Tail Brg.	32013-XU	1
Output Shaft Seal	12369460	2
Gear Marking & Brush	GMC1-BR1	1
Threadlocker	TL1	1
Sealer	RTV Silicone	1
Needle Brg.	HK4020	1
O-Ring	OR162	1
O-Ring	OR170X2	1
O-Ring	5X1034	2

DRK-329		
Position	Part Number	Qty
Differential Brg.	25584-25520	2
Pinion Head Brg.	HM804846-HM804810	1
Pinion Tail Brg.	HM89446-HM89410	1
Pinion Seal	473461 (1.937x3.061)	1
Crush Sleeve	CS329	1
Pinion Nut	PN3	1
Gear Marking & Brush	GMC1-BR1	1
Threadlocker	TL1	1
Sealer	RTV Silicone	1

DRK-329MK		
Position	Part Number	Qty
Differential Brg.	25584-25520	2
Pinion Head Brg.	HM804846-HM804810	1
Pinion Tail Brg.	HM89446-HM89410	1
Pinion Seal	473461 (1.937x3.061)	1
Crush Sleeve	CS329	1
Pinion Nut	PN3	1
Gear Marking & Brush	GMC1-BR1	1
Threadlocker	TL1	1
Sealer	RTV Silicone	1
Pinion Depth Shims	SK3	1
Differential Shims	SK23	1
Ring Gear Bolts	RGB5	10

DRK-331		
Position	Part Number	Qty
Differential Brg.	387A-382S	2
Pinion Head Brg.	HM803146-HM803110	1
Pinion Tail Brg.	HM88542-HM88510	1
Pinion Seal	6808N (1.875x3.160)	1
Pinion Seal	9316 (1.875x3.160)	1
Pinion Nut	PN5	1
Gear Marking & Brush	GMC1-BR1	1
Threadlocker	TL1	1
Sealer	RTV Silicone	1
Pinion Brg. Shims	SK17	1
Pinion Depth Shims	SK15	1
Differential Shims	SK54	1

LD Differential

Light Duty Differential Rebuild Kits



DRK-331MK

Position	Part Number	Qty
Differential Brg.	387A-382S	2
Pinion Head Brg.	HM803146-HM803110	1
Pinion Tail Brg.	HM88542-HM88510	1
Pinion Seal	6808N (1.875x3.160)	1
Pinion Seal	9316 (1.875x3.160)	1
Pinion Nut	PN5	1
Gear Marking & Brush	GMC1-BR1	1
Threadlocker	TL1	1
Sealer	RTV Silicone	1
Pinion Brg. Shims	SK17	1
Pinion Depth Shims	SK15	1
Differential Shims	SK54	1
Ring Gear Bolts	RGB6	12

DRK-331A

Position	Part Number	Qty
Differential Brg.	387A-382S	2
Pinion Head Brg.	HM803146-HM803110	1
Pinion Tail Brg.	HM88542-HM88510	1
Pinion Seal	9316 (1.875x3.160)	1
Pinion Seal	100712V (1.874x3.159)	1
Crush Sleeve	CS342	1
Pinion Nut	PN5	1
Gear Marking & Brush	GMC1-BR1	1
Threadlocker	TL1	1
Sealer	RTV Silicone	1
Pinion Depth Shims	SK15	1
Differential Shims	SK54	1

DRK-331AMK

Position	Part Number	Qty
Differential Brg.	387A-382S	2
Pinion Head Brg.	HM803146-HM803110	1
Pinion Tail Brg.	HM88542-HM88510	1
Pinion Seal	9316 (1.875x3.160)	1
Pinion Seal	100712V (1.874x3.159)	1
Crush Sleeve	CS342	1
Pinion Nut	PN5	1
Gear Marking & Brush	GMC1-BR1	1
Threadlocker	TL1	1
Sealer	RTV Silicone	1
Pinion Depth Shims	SK15	1
Differential Shims	SK54	1
Ring Gear Bolts	RGB6	12

DRK-331B

Position	Part Number	Qty
Differential Brg.	NP197868-NP802507	2
Pinion Head Brg.	HM803146-HM803110	1
Pinion Tail Brg.	HM88542-HM88510	1
Pinion Seal	719316 (1.875x3.160)	1
Pinion Seal	DS50637 (1.874x3.159)	1
Pinion Nut	PN5	1
Gear Marking & Brush	GMC1-BR1	1
Threadlocker	TL1	1
Sealer	RTV Silicone	1

DRK-331BMK

Position	Part Number	Qty
Differential Brg.	NP197868-NP802507	2
Pinion Head Brg.	HM803146-HM803110	1
Pinion Tail Brg.	HM88542-HM88510	1
Pinion Seal	719316 (1.875x3.160)	1
Pinion Seal	DS50637 (1.874x3.159)	1
Pinion Nut	PN5	1
Gear Marking & Brush	GMC1-BR1	1
Threadlocker	TL1	1
Sealer	RTV Silicone	1
Pinion Brg. Shims	SK17	1
Pinion Depth Shims	SK15	1
Differential Shims	SK54	1
Ring Gear Bolts	RGB6	12

DRK-331C

Position	Part Number	Qty
Differential Brg.	NP197868-NP802507	2
Pinion Head Brg.	HM803146-HM803110	1
Pinion Tail Brg.	HM88542-HM88510	1
Pinion Seal	DS2001243	1
Pinion Nut	PN5	1
Gear Marking & Brush	GMC1-BR1	1
Threadlocker	TL1	1
Sealer	RTV Silicone	1

DRK-331CMK

Position	Part Number	Qty
Differential Brg.	NP197868-NP802507	2
Pinion Head Brg.	HM803146-HM803110	1
Pinion Tail Brg.	HM88542-HM88510	1
Pinion Seal	DS2001243	1
Pinion Nut	PN5	1
Gear Marking & Brush	GMC1-BR1	1
Threadlocker	TL1	1
Sealer	RTV Silicone	1
Pinion Brg. Shims	SK17	1
Pinion Depth Shims	SK15	1
Differential Shims	SK54	3
Ring Gear Bolts	RGB6	12

DRK-332

Position	Part Number	Qty
Differential Brg.	387A-382S	2
Pinion Head Brg.	HM807040-HM807010	1
Pinion Tail Brg.	HM88542-HM88510	1
Pinion Seal	6808N (1.875x3.160)	1
Pinion Seal	9316 (1.875x3.160)	1
Pinion Nut	PN5	1
Gear Marking & Brush	GMC1-BR1	1
Threadlocker	TL1	1
Sealer	RTV Silicone	1
Pinion Brg. Shims	SK17	1
Pinion Depth Shims	SK18	1
Differential Shims	SK54	1

DRK-331F

Position	Part Number	Qty
Differential Brg.	387A-382S	2
Pinion Head Brg.	NP525706-NP223610	1
Pinion Tail Brg.	HC3Z4561C-4616B	1
Pinion Seal	HC3Z4L616A	1
Pinion Nut	PN30	1
Gear Marking & Brush	GMC1-BR1	1
Threadlocker	TL1	1
Sealer	RTV Silicone	1

DRK-331FMK

Position	Part Number	Qty
Differential Brg.	387A-382S	2
Pinion Head Brg.	NP525706-NP223610	1
Pinion Tail Brg.	HC3Z4561C-4616B	1
Pinion Seal	HC3Z4L616A	1
Pinion Nut	PN30	1
Gear Marking & Brush	GMC1-BR1	1
Threadlocker	TL1	1
Sealer	RTV Silicone	1
Pinion Brg. Shims	SK17	1
Pinion Depth Shims	SK15	1
Differential Shims	SK54	3
Ring Gear Bolts	RGB6	12

DRK-332MK

Position	Part Number	Qty
Differential Brg.	387A-382S	2
Pinion Head Brg.	HM807040-HM807010	1
Pinion Tail Brg.	HM88542-HM88510	1
Pinion Seal	6808N (1.875x3.160)	1
Pinion Seal	9316 (1.875x3.160)	1
Pinion Nut	PN5	1
Gear Marking & Brush	GMC1-BR1	1
Threadlocker	TL1	1
Sealer	RTV Silicone	1
Pinion Brg. Shims	SK17	1
Pinion Depth Shims	SK18	1
Differential Shims	SK54	1
Ring Gear Bolts	RGB12	12

DRK-332A

Position	Part Number	Qty
Differential Brg.	NP197868-NP802507	2
Pinion Head Brg.	HM803149-HM803110	1
Pinion Tail Brg.	HM88542-HM88510	1
Pinion Seal	719316 (1.875x3.160)	1
Pinion Nut	PN5	1
Gear Marking & Brush	GMC1-BR1	1
Threadlocker	TL1	1
Sealer	RTV Silicone	1
Pinion Brg. Shims	SK17	1
Pinion Depth Shims	SK15	1
Differential Shims	SK54	1
Spacer	DS46176	1

DRK-332AMK

Position	Part Number	Qty
Differential Brg.	NP197868-NP802507	2
Pinion Head Brg.	HM803149-HM803110	1
Pinion Tail Brg.	HM88542-HM88510	1
Pinion Seal	719316 (1.875x3.160)	1
Pinion Nut	PN5	1
Gear Marking & Brush	GMC1-BR1	1
Threadlocker	TL1	1
Sealer	RTV Silicone	1
Pinion Brg. Shims	SK17	1
Pinion Depth Shims	SK15	1
Differential Shims	SK54	1
Ring Gear Bolts	RGB12	12
Spacer	DS46176	1

DRK-332G

Position	Part Number	Qty
Differential Brg.	469-453X	2
Pinion Head Brg.	HM807040-HM807010	1
Pinion Tail Brg.	HM88542-HM88510	1
Pinion Seal	DS50637 (1.874x3.159)	1
Pinion Nut	PN5D	1
Pinion Nut Washer	DS30275	1
Gear Marking & Brush	GMC1-BR1	1
Threadlocker	TL1	1
Sealer	RTV Silicone	1
Pinion Brg. Shims	SK17	1
Pinion Depth Shims	SK18	1
Differential Shims	SK54	1

DRK-332GMK

Position	Part Number	Qty
Differential Brg.	469-453X	2
Pinion Head Brg.	HM807040-HM807010	1
Pinion Tail Brg.	HM88542-HM88510	1
Pinion Seal	DS50637 (1.874x3.159)	1
Pinion Nut	PN5D	1
Pinion Nut Washer	DS30275	1
Gear Marking & Brush	GMC1-BR1	1
Threadlocker	TL1	1
Sealer	RTV Silicone	1
Pinion Brg. Shims	SK17	1
Pinion Depth Shims	SK18	1
Differential Shims	SK54	1
Ring Gear Bolts	RGB12	12

Light Duty Differential Rebuild Kits

DRK-332HD			DRK-333MK			DRK-334A		
Position	Part Number	Qty	Position	Part Number	Qty	Position	Part Number	Qty
Differential Brg.	469-453X	2	Differential Brg.	LM29749-LM29710	2	Differential Brg.	LM501349-LM501314	2
Pinion Head Brg.	HM807040-HM807010	1	Pinion Head Brg.	M88048-M88010	1	Pinion Head Brg.	HM88649-HM88610	1
Pinion Tail Brg.	HM88542-HM88510	1	Pinion Tail Brg.	M86649-M86610	1	Pinion Tail Brg.	M86649-M86610	1
Pinion Seal	9316 (1.875x3.160)	1	Pinion Seal	4244 (1.552x2.750)	1	Pinion Seal	5778 (1.552x3.160)	1
Pinion Nut	PN5	1	Crush Sleeve	CS330	1	Crush Sleeve	CS328	1
Gear Marking & Brush	GMC1-BR1	1	Pinion Nut	PN8-F	1	Pinion Nut	PN8-F	1
Threadlocker	TL1	1	Gear Marking & Brush	GMC1-BR1	1	Gear Marking & Brush	GMC1-BR1	1
Sealer	RTV Silicone	1	Threadlocker	TL1	1	Threadlocker	TL1	1
Pinion Brg. Shims	SK17	1	Sealer	RTV Silicone	1	Sealer	RTV Silicone	1
Pinion Depth Shims	SK18	1	Pinion Depth Shims	SK24	1			
Differential Shims	SK54	1	Differential Shims	SK25	1			
Differential Shims	SK54	1	Ring Gear Bolts	RGB5-D	10			
DRK-332HDMK			DRK-333A			DRK-334AMK		
Position	Part Number	Qty	Position	Part Number	Qty	Position	Part Number	Qty
Differential Brg.	469-453X	2	Pinion Nose Brg.	207	1	Differential Brg.	LM501349-LM501314	2
Pinion Head Brg.	HM807040-HM807010	1	Differential Brg.	LM29749-LM29710	2	Pinion Head Brg.	HM88649-HM88610	1
Pinion Tail Brg.	HM88542-HM88510	1	Pinion Head Brg.	M86649-M86610	1	Pinion Tail Brg.	M86649-M86610	1
Pinion Seal	9316 (1.875x3.160)	1	Pinion Tail Brg.	M88048-M88010	1	Pinion Seal	5778 (1.552x3.160)	1
Pinion Nut	PN5	1	Pinion Seal	100552 (1.844x2.865)	1	Crush Sleeve	CS328	1
Gear Marking & Brush	GMC1-BR1	1	Crush Sleeve	CS335 ¹⁰	1	Pinion Nut	PN8-F	1
Threadlocker	TL1	1	Gear Marking & Brush	GMC1-BR1	1	Gear Marking & Brush	GMC1-BR1	1
Sealer	RTV Silicone	1	Threadlocker	TL1	1	Threadlocker	TL1	1
Pinion Brg. Shims	SK17	1	Sealer	RTV Silicone	1	Sealer	RTV Silicone	1
Pinion Depth Shims	SK18	1				Pinion Depth Shims	SK54	1
Differential Shims	SK54	1				Differential Shims	SK20	1
Differential Shims	SK54	1				Ring Gear Bolts	RGB5	10
Ring Gear Bolts	RGB12	12				Slinger	13575	1
DRK-332U			DRK-333AMK			DRK-334B		
Position	Part Number	Qty	Position	Part Number	Qty	Position	Part Number	Qty
Differential Brg.	387A-382S	2	Pinion Nose Brg.	207	1	Differential Brg.	LM501349-LM501314	2
Pinion Head Brg.	HM803149-HM803110	1	Differential Brg.	LM29749-LM29710	2	Pinion Head Brg.	HM88649-HM88610	1
Pinion Tail Brg.	HM88542-HM88510	1	Pinion Head Brg.	M86649-M86610	1	Pinion Tail Brg.	M86649-M86610	1
Pinion Seal	9316 (1.875x3.160)	1	Pinion Tail Brg.	M88048-M88010	1	Pinion Seal	714675 (1.843x2.748)	1
Pinion Nut	PN5	1	Pinion Seal	100552 (1.844x2.865)	1	Crush Sleeve	CS328	1
Gear Marking & Brush	GMC1-BR1	1	Crush Sleeve	CS335 ¹⁰	1	Pinion Nut	PN8-F	1
Threadlocker	TL1	1	Gear Marking & Brush	GMC1-BR1	1	Gear Marking & Brush	GMC1-BR1	1
Sealer	RTV Silicone	1	Threadlocker	TL1	1	Threadlocker	TL1	1
Pinion Brg. Shims	SK17	1	Sealer	RTV Silicone	1	Sealer	RTV Silicone	1
Pinion Depth Shims	SK15	1	Pinion Depth Shims	SK24	1			
Differential Shims	SK54	1	Differential Shims	SK25	1			
Differential Shims	SK54	1	Ring Gear Bolts	RGB5-D	10			
Pinion Nut Washer	DS30275	1						
DRK-332UMK			DRK-334			DRK-334BMK		
Position	Part Number	Qty	Position	Part Number	Qty	Position	Part Number	Qty
Differential Brg.	387A-382S	2	Differential Brg.	LM501349-LM501314	2	Differential Brg.	LM501349-LM501314	2
Pinion Head Brg.	HM803149-HM803110	1	Pinion Head Brg.	HM88649-HM88610	1	Pinion Head Brg.	HM88649-HM88610	1
Pinion Tail Brg.	HM88542-HM88510	1	Pinion Tail Brg.	02872-02820	1	Pinion Tail Brg.	M86649-M86610	1
Pinion Seal	9316 (1.875x3.160)	1	Pinion Seal	5778 (1.552x3.160)	1	Pinion Seal	714675 (1.843x2.748)	1
Pinion Nut	PN5	1	Pinion Nut	PN8-F	1	Crush Sleeve	CS328	1
Gear Marking & Brush	GMC1-BR1	1	Gear Marking & Brush	GMC1-BR1	1	Pinion Nut	PN8-F	1
Threadlocker	TL1	1	Threadlocker	TL1	1	Gear Marking & Brush	GMC1-BR1	1
Sealer	RTV Silicone	1	Sealer	RTV Silicone	1	Threadlocker	TL1	1
Pinion Brg. Shims	SK17	1				Sealer	RTV Silicone	1
Pinion Depth Shims	SK15	1				Pinion Depth Shims	SK54	1
Differential Shims	SK54	1				Differential Shims	SK20	1
Differential Shims	SK54	1				Ring Gear Bolts	RGB5-D	10
Ring Gear Bolts	RGB12	12						
Pinion Nut Washer	DS30275	1						
DRK-333			DRK-334MK			DRK-334C		
Position	Part Number	Qty	Position	Part Number	Qty	Position	Part Number	Qty
Differential Brg.	LM29749-LM29710	2	Differential Brg.	LM501349-LM501314	2	Differential Brg.	LM501349-LM501314	2
Pinion Head Brg.	M88048-M88010	1	Pinion Head Brg.	HM88649-HM88610	1	Pinion Head Brg.	HM88649-HM88610	1
Pinion Tail Brg.	M86649-M86610	1	Pinion Tail Brg.	02872-02820	1	Pinion Tail Brg.	M86649-M86610	1
Pinion Seal	4244 (1.552x2.750)	1	Pinion Seal	5778 (1.552x3.160)	1	Pinion Seal	5778 (1.552x3.160)	1
Crush Sleeve	CS330	1	Pinion Nut	PN8-F	1	Pinion Seal	DS50531 (1.552x3.160)	1
Pinion Nut	PN8-F	1	Gear Marking & Brush	GMC1-BR1	1	Crush Sleeve	CS335	1
Gear Marking & Brush	GMC1-BR1	1	Threadlocker	TL1	1	Pinion Nut	PN8-F	1
Threadlocker	TL1	1	Sealer	RTV Silicone	1	Gear Marking & Brush	GMC1-BR1	1
Sealer	RTV Silicone	1				Threadlocker	TL1	1
						Sealer	RTV Silicone	1

¹⁰Original Pinion Nut Must Be Re-used.

Light Duty Differential Rebuild Kits



LD Differential

DRK-334CMK

Position	Part Number	Qty
Differential Brg.	LM501349-LM501314	2
Pinion Head Brg.	HM88649-HM88610	1
Pinion Tail Brg.	M86649-M86610	1
Pinion Seal	5778 (1.552x3.160)	1
Pinion Seal	DS50531 (1.552x3.160)	1
Crush Sleeve	CS335	1
Pinion Nut	PN8-F	1
Gear Marking & Brush	GMC1-BR1	1
Threadlocker	TL1	1
Sealer	RTV Silicone	1
Pinion Depth Shims	SK54	1
Differential Shims	SK20	1
Ring Gear Bolts	RGB5	10
Slinger	13575	1

DRK-334D

Position	Part Number	Qty
Differential Brg.	LM501349-LM501314	2
Pinion Head Brg.	M802048-M802011	1
Pinion Tail Brg.	HM88649-HM88610	1
Pinion Seal	710741 (1.844x3.063)	1
Crush Sleeve	CS345	1
Pinion Nut	PN6	1
Gear Marking & Brush	GMC1-BR1	1
Threadlocker	TL1	1
Sealer	RTV Silicone	1

DRK-334DMK

Position	Part Number	Qty
Differential Brg.	LM501349-LM501314	2
Pinion Head Brg.	M802048-M802011	1
Pinion Tail Brg.	HM88649-HM88610	1
Pinion Seal	710741 (1.844x3.063)	1
Crush Sleeve	CS345	1
Pinion Nut	PN6	1
Gear Marking & Brush	GMC1-BR1	1
Threadlocker	TL1	1
Sealer	RTV Silicone	1
Pinion Depth Shims	SK4	1
Differential Shims	SK20	1
Ring Gear Bolts	RGB5	10
Slinger	DS48741-3	1

DRK-334E

Position	Part Number	Qty
Differential Brg.	LM501349-LM501314	2
Pinion Head Brg.	NP310800-NP312191	1
Pinion Tail Brg.	NP748236-NP283244	1
Pinion Seal	714675 (1.843x2.748)	1
Crush Sleeve	CS328	1
Crush Sleeve	CS331	1
Pinion Nut	PN8-F	1
Gear Marking & Brush	GMC1-BR1	1
Threadlocker	TL1	1
Sealer	RTV Silicone	1

DRK-334EMK

Position	Part Number	Qty
Differential Brg.	LM501349-LM501314	2
Pinion Head Brg.	NP310800-NP312191	1
Pinion Tail Brg.	NP748236-NP283244	1
Pinion Seal	714675 (1.843x2.748)	1
Crush Sleeve	CS328	1
Crush Sleeve	CS331	1
Pinion Nut	PN8-F	1
Pinion Depth Shims	SK54	1
Differential Shims	SK28 ⁵¹	1
Gear Marking & Brush	GMC1-BR1	1
Threadlocker	TL1	1
Sealer	RTV Silicone	1
Ring Gear Bolts	RGB5-D	10

DRK-334TJ

Position	Part Number	Qty
Differential Brg.	LM501349-LM501314	2
Pinion Head Brg.	HM88649-HM88610	1
Pinion Tail Brg.	M86649-M86610	1
Pinion Seal	5778 (1.552x3.160)	1
Pinion Seal	DS50660 (1.552x3.160)	1
Crush Sleeve	CS335	1
Pinion Nut	PN8-F	1
Gear Marking & Brush	GMC1-BR1	1
Threadlocker	TL1	1
Sealer	RTV Silicone	1

DRK-334TJMK

Position	Part Number	Qty
Differential Brg.	LM501349-LM501314	2
Pinion Head Brg.	HM88649-HM88610	1
Pinion Tail Brg.	M86649-M86610	1
Pinion Seal	5778 (1.552x3.160)	1
Pinion Seal	DS50660 (1.552x3.160)	1
Crush Sleeve	CS335	1
Pinion Nut	PN8-F	1
Gear Marking & Brush	GMC1-BR1	1
Threadlocker	TL1	1
Sealer	RTV Silicone	1
Pinion Depth Shims	SK54	1
Differential Shims	SK20	1
Ring Gear Bolts	RGB5	10
Slinger	13575	1

DRK-335

Position	Part Number	Qty
Differential Brg.	LM501349-LM501314	2
Pinion Head Brg.	HM88648-HM88610	1
Pinion Tail Brg.	M86649-M86610	1
Pinion Seal	714675 (1.843x2.748)	1
Crush Sleeve	CS310	1
Pinion Nut	PN6	1
Gear Marking & Brush	GMC1-BR1	1
Threadlocker	TL1	1
Sealer	RTV Silicone	1

DRK-335MK

Position	Part Number	Qty
Differential Brg.	LM501349-LM501314	2
Pinion Head Brg.	HM88648-HM88610	1
Pinion Tail Brg.	M86649-M86610	1
Pinion Seal	714675 (1.843x2.748)	1
Crush Sleeve	CS310	1
Pinion Nut	PN6	1
Gear Marking & Brush	GMC1-BR1	1
Threadlocker	TL1	1
Sealer	RTV Silicone	1
Pinion Depth Shims	SK54	1
Differential Shims	SK28 ⁵¹	1
Ring Gear Bolts	RGB5	8

DRK-335B

Position	Part Number	Qty
Differential Brg.	LM501349-LM501310	2
Pinion Head Brg.	HM88648-HM88610	1
Pinion Tail Brg.	M86649-M86610	1
Pinion Seal	DS51501 (1.843x2.748)	1
Crush Sleeve	CS310	1
Pinion Nut	PN6	1
Gear Marking & Brush	GMC1-BR1	1
Threadlocker	TL1	1
Sealer	RTV Silicone	1

DRK-335BMK

Position	Part Number	Qty
Differential Brg.	LM501349-LM501310	2
Pinion Head Brg.	HM88648-HM88610	1
Pinion Tail Brg.	M86649-M86610	1
Pinion Seal	DS51501 (1.843x2.748)	1
Crush Sleeve	CS310	1
Pinion Nut	PN6	1
Gear Marking & Brush	GMC1-BR1	1
Threadlocker	TL1	1
Sealer	RTV Silicone	1
Pinion Depth Shims	SK54	1
Differential Shims	SK28 ⁵¹	1
Ring Gear Bolts	RGB5-D	8

DRK-335C

Position	Part Number	Qty
Differential Brg.	LM501349-LM501314	2
Pinion Head Brg.	HM88648-HM88610	1
Pinion Tail Brg.	M86649-M86610	1
Pinion Seal	DS49153 (1.843x2.748)	1
Crush Sleeve	CS344	1
Pinion Nut	PN6	1
Gear Marking & Brush	GMC1-BR1	1
Threadlocker	TL1	1
Sealer	RTV Silicone	1

DRK-335CMK

Position	Part Number	Qty
Differential Brg.	LM501349-LM501314	2
Pinion Head Brg.	HM88648-HM88610	1
Pinion Tail Brg.	M86649-M86610	1
Pinion Seal	DS49153 (1.843x2.748)	1
Crush Sleeve	CS344	1
Pinion Nut	PN6	1
Gear Marking & Brush	GMC1-BR1	1
Threadlocker	TL1	1
Sealer	RTV Silicone	1
Pinion Depth Shims	SK54	1
Differential Shims	SK28 ⁵¹	1
Ring Gear Bolts	RGB5	8

DRK-336A

Position	Part Number	Qty
Differential Brg.	JLM104948-LM104911A	2
Pinion Head Brg.	HM88649-HM88610	1
Pinion Tail Brg.	02872-02820	1
Pinion Seal	5778 (1.552x3.160)	1
Pinion Seal	DS50531 (1.552x3.160)	1
Crush Sleeve	CS338	1
Pinion Brg. Shims	SK5	1
Pinion Nut	PN8-F	1
Gear Marking & Brush	GMC1-BR1	1
Threadlocker	TL1	1
Sealer	RTV Silicone	1

DRK-336AMK

Position	Part Number	Qty
Differential Brg.	JLM104948-LM104911A	2
Pinion Head Brg.	HM88649-HM88610	1
Pinion Tail Brg.	02872-02820	1
Pinion Seal	5778 (1.552x3.160)	1
Pinion Seal	DS50531 (1.552x3.160)	1
Crush Sleeve	CS338	1
Pinion Brg. Shims	SK5	1
Pinion Nut	PN8-F	1
Gear Marking & Brush	GMC1-BR1	1
Threadlocker	TL1	1
Sealer	RTV Silicone	1
Pinion Depth Shims	SK54	1
Differential Shims	SK21	1
Ring Gear Bolts	RGB14	10
Pinion Nut Washer	30186	1

Light Duty Differential Rebuild Kits

DRK-337			DRK-338MK			DRK-339BMK		
Position	Part Number	Qty	Position	Part Number	Qty	Position	Part Number	Qty
Differential Brg.	469-453X	2	Differential Brg.	LM501349-LM501314	2	Differential Brg.	25590-25523	2
Pinion Head Brg.	HM807046-HM807010	1	Pinion Head Brg.	HM88649-HM88610	1	Pinion Head Brg.	31594-31520	1
Pinion Tail Brg.	M802048-M802011	1	Pinion Tail Brg.	M86647-M86610	1	Pinion Tail Brg.	02872-02820	1
Pinion Seal	4525V (2.500x4.035)	1	Pinion Seal	5778 (1.552x3.160)	1	Pinion Seal	5778 (1.552x3.160)	1
Pinion Nut	PN10	1	Pinion Nut	PN8-F	1	Pinion Nut	PN8-F	1
Gear Marking & Brush	GMC1-BR1	1	Gear Marking & Brush	GMC1-BR1	1	Gear Marking & Brush	GMC1-BR1	1
Threadlocker	TL1	1	Threadlocker	TL1	1	Threadlocker	TL1	1
Sealer	RTV Silicone	1	Sealer	RTV Silicone	1	Sealer	RTV Silicone	1
Pinion Nut Washer	DS37104	1	Pinion Brg. Shims	SK5	1	Pinion Brg. Shims	SK5	1
DRK-337MK			DRK-339			DRK-339C		
Position	Part Number	Qty	Position	Part Number	Qty	Position	Part Number	Qty
Differential Brg.	469-453X	2	Differential Brg.	LM603049-LM603011	2	Differential Brg.	25590-25523	2
Pinion Head Brg.	HM807046-HM807010	1	Pinion Head Brg.	HM88649-HM88610	1	Pinion Head Brg.	HM88649-HM88610	1
Pinion Tail Brg.	M802048-M802011	1	Pinion Tail Brg.	M86647-M86610	1	Pinion Tail Brg.	02872-02820	1
Pinion Seal	4525V (2.500x4.035)	1	Pinion Seal	5778 (1.552x3.160)	1	Pinion Seal	5778 (1.552x3.160)	1
Pinion Nut	PN10	1	Pinion Nut	PN8-F	1	Crush Sleeve	CS338	1
Gear Marking & Brush	GMC1-BR1	1	Gear Marking & Brush	GMC1-BR1	1	Pinion Nut	PN8-F	1
Threadlocker	TL1	1	Threadlocker	TL1	1	Gear Marking & Brush	GMC1-BR1	1
Sealer	RTV Silicone	1	Sealer	RTV Silicone	1	Threadlocker	TL1	1
Pinion Brg. Shims	SK44	1	Pinion Brg. Shims	SK5	1	Sealer	RTV Silicone	1
Pinion Depth Shims	SK43	1	Pinion Depth Shims	SK4	1	Pinion Nut Washer	30186	1
Differential Shims	SK54	1	Differential Shims	SK7 ²⁷	1	DRK-339CMK		
Ring Gear Bolts	RGB13	12	DRK-339MK			Position	Part Number	Qty
Pinion Nut Washer	DS37104	1	Position	Part Number	Qty	Differential Brg.	25590-25523	2
DRK-337A			Differential Brg.	LM603049-LM603011	2	Pinion Head Brg.	HM88649-HM88610	1
Position	Part Number	Qty	Pinion Head Brg.	HM88649-HM88610	1	Pinion Tail Brg.	M86647-M86610	1
Differential Brg.	469-453X	2	Pinion Tail Brg.	M86647-M86610	1	Pinion Seal	5778 (1.552x3.160)	1
Pinion Head Brg.	NP516549-NP673386	1	Pinion Seal	5778 (1.552x3.160)	1	Pinion Nut	PN8-F	1
Pinion Tail Brg.	M802048-M802011	1	Pinion Nut	PN8-F	1	Gear Marking & Brush	GMC1-BR1	1
Pinion Seal	710577 (2.500x4.035)	1	Gear Marking & Brush	GMC1-BR1	1	Threadlocker	TL1	1
Pinion Nut	PN10	1	Threadlocker	TL1	1	Sealer	RTV Silicone	1
Gear Marking & Brush	GMC1-BR1	1	Sealer	RTV Silicone	1	Pinion Depth Shims	SK38	1
Threadlocker	TL1	1	Pinion Brg. Shims	SK5	1	Differential Shims	SK23	1
Sealer	RTV Silicone	1	Pinion Depth Shims	SK4	1	Ring Gear Bolts	RGB5	10
Pinion Nut Washer	DS37104	1	Differential Shims	SK7 ²⁷	1	Pinion Nut Washer	30186	1
DRK-337AMK			DRK-339A			DRK-339D		
Position	Part Number	Qty	Position	Part Number	Qty	Position	Part Number	Qty
Differential Brg.	469-453X	2	Differential Brg.	LM603049-LM603012	2	Differential Brg.	25590-25523	2
Pinion Head Brg.	NP516549-NP673386	1	Pinion Head Brg.	M802048-M802011	1	Pinion Head Brg.	HM88649-HM88610	1
Pinion Tail Brg.	M802048-M802011	1	Pinion Tail Brg.	M88048-M88010	1	Pinion Tail Brg.	02872-02820	1
Pinion Seal	710577 (2.500x4.035)	1	Pinion Seal	100712-V (1.875x3.159)	1	Pinion Seal	5778 (1.552x3.160)	1
Pinion Nut	PN10	1	Crush Sleeve	CS333	1	Pinion Nut	PN8-F	1
Gear Marking & Brush	GMC1-BR1	1	Pinion Nut	PN5	1	Gear Marking & Brush	GMC1-BR1	1
Threadlocker	TL1	1	Gear Marking & Brush	GMC1-BR1	1	Threadlocker	TL1	1
Sealer	RTV Silicone	1	Threadlocker	TL1	1	Sealer	RTV Silicone	1
Pinion Brg. Shims	SK44	1	Sealer	RTV Silicone	1	Pinion Nut Washer	30186	1
Pinion Depth Shims	SK43	1	DRK-339AMK			DRK-339DMK		
Differential Shims	SK54	1	Position	Part Number	Qty	Position	Part Number	Qty
Ring Gear Bolts	RGB13	12	Differential Brg.	LM603049-LM603012	2	Differential Brg.	25590-25523	2
Pinion Nut Washer	DS37104	1	Pinion Head Brg.	M802048-M802011	1	Pinion Head Brg.	HM88649-HM88610	1
DRK-338			Pinion Tail Brg.	M88048-M88010	1	Pinion Tail Brg.	02872-02820	1
Position	Part Number	Qty	Pinion Seal	100712-V (1.875x3.159)	1	Pinion Seal	5778 (1.552x3.160)	1
Differential Brg.	LM501349-LM501314	2	Crush Sleeve	CS333	1	Pinion Nut	PN8-F	1
Pinion Head Brg.	HM88649-HM88610	1	Pinion Nut	PN5	1	Gear Marking & Brush	GMC1-BR1	1
Pinion Tail Brg.	M86647-M86610	1	Gear Marking & Brush	GMC1-BR1	1	Threadlocker	TL1	1
Pinion Seal	5778 (1.552x3.160)	1	Threadlocker	TL1	1	Sealer	RTV Silicone	1
Pinion Nut	PN8-F	1	Sealer	RTV Silicone	1	Pinion Shims	SK38	1
Gear Marking & Brush	GMC1-BR1	1	Pinion Depth Shims	SK4	1	Differential Shims	SK23	1
Threadlocker	TL1	1	Differential Shims	SK7 ²⁷	1	Ring Gear Bolts	RGB5	10
Sealer	RTV Silicone	1	Ring Gear Bolts	RGB5	10	Pinion Nut Washer	30186	1
DRK-339B			DRK-339B					
Position	Part Number	Qty	Position	Part Number	Qty			
Differential Brg.	25590-25523	2	Differential Brg.	25590-25523	2			
Pinion Head Brg.	31594-31520	1	Pinion Head Brg.	31594-31520	1			
Pinion Tail Brg.	02872-02820	1	Pinion Tail Brg.	02872-02820	1			
Pinion Seal	5778 (1.552x3.160)	1	Pinion Seal	5778 (1.552x3.160)	1			
Pinion Nut	PN8-F	1	Pinion Nut	PN8-F	1			
Gear Marking & Brush	GMC1-BR1	1	Gear Marking & Brush	GMC1-BR1	1			
Threadlocker	TL1	1	Threadlocker	TL1	1			
Sealer	RTV Silicone	1	Sealer	RTV Silicone	1			

LD Differential

²⁷Order SSK7 for stackable differential shims.

Light Duty Differential Rebuild Kits



LD Differential

DRK-339E

Position	Part Number	Qty
Differential Brg.	25590-25523	2
Pinion Head Brg.	31594-31520	1
Pinion Tail Brg.	02872-02820	1
Pinion Seal	DS50660 (1.552x3.160)	1
Pinion Nut	PN8-F	1
Gear Marking & Brush	GMC1-BR1	1
Threadlocker	TL1	1
Sealer	RTV Silicone	1

DRK-339EMK

Position	Part Number	Qty
Differential Brg.	25590-25523	2
Pinion Head Brg.	31594-31520	1
Pinion Tail Brg.	02872-02820	1
Pinion Seal	DS50660 (1.552x3.160)	1
Pinion Nut	PN8-F	1
Gear Marking & Brush	GMC1-BR1	1
Threadlocker	TL1	1
Sealer	RTV Silicone	1
Pinion Brg. Shims	SK5	1
Pinion Depth Shims	SK22	1
Differential Shims	SK47	1
Ring Gear Bolts	RGB14	10

DRK-339F

Position	Part Number	Qty
Differential Brg.	JLM704649-JLM704610	2
Pinion Head Brg.	M802048-M802011	1
Pinion Tail Brg.	HM88649-HM88610	1
Pinion Seal	710741 (1.844x3.063)	1
Crush Sleeve	CS345	1
Pinion Nut	PN6	1
Gear Marking & Brush	GMC1-BR1	1
Threadlocker	TL1	1
Sealer	RTV Silicone	1

DRK-339FMK

Position	Part Number	Qty
Differential Brg.	JLM704649-JLM704610	2
Pinion Head Brg.	M802048-M802011	1
Pinion Tail Brg.	HM88649-HM88610	1
Pinion Seal	710741 (1.844x3.063)	1
Crush Sleeve	CS345	1
Pinion Nut	PN6	1
Gear Marking & Brush	GMC1-BR1	1
Threadlocker	TL1	1
Sealer	RTV Silicone	1
Pinion Depth Shims	SK4	1
Differential Shims	SK47	1
Ring Gear Bolts	RGB24	10
Slinger	DS48741-3	1

DRK-339G

Position	Part Number	Qty
Differential Brg.	JLM704649-JLM704610	2
Pinion Head Brg.	M802048-M802011	1
Pinion Tail Brg.	M88048-M88010	1
Pinion Seal	DT04101 (1.875x3.156)	1
Crush Sleeve	CS349	1
Pinion Nut	PN5	1
Gear Marking & Brush	GMC1-BR1	1
Threadlocker	TL1	1
Sealer	RTV Silicone	1

DRK-339GMK

Position	Part Number	Qty
Differential Brg.	JLM704649-JLM704610	2
Pinion Head Brg.	M802048-M802011	1
Pinion Tail Brg.	M88048-M88010	1
Pinion Seal	DT04101 (1.875x3.156)	1
Crush Sleeve	CS349	1
Pinion Nut	PN5	1
Gear Marking & Brush	GMC1-BR1	1
Threadlocker	TL1	1
Sealer	RTV Silicone	1
Pinion Depth Shims	SK4	1
Differential Shims	SK47	1
Ring Gear Bolts	RGB27	10
Slinger	DS48741-3	1

DRK-339H

Position	Part Number	Qty
Differential Brg.	25590-25523	2
Pinion Head Brg.	M802048-M802011	1
Pinion Tail Brg.	M88048-M88010	1
Pinion Seal	DT04101 (1.875x3.156)	1
Crush Sleeve	CS349	1
Pinion Nut	PN5	1
Gear Marking & Brush	GMC1-BR1	1
Threadlocker	TL1	1
Sealer	RTV Silicone	1

DRK-339HMK

Position	Part Number	Qty
Differential Brg.	25590-25523	2
Pinion Head Brg.	M802048-M802011	1
Pinion Tail Brg.	M88048-M88010	1
Pinion Seal	DT04101 (1.875x3.156)	1
Crush Sleeve	CS349	1
Pinion Nut	PN5	1
Gear Marking & Brush	GMC1-BR1	1
Threadlocker	TL1	1
Sealer	RTV Silicone	1
Pinion Depth Shims	SK4	1
Differential Shims	SK47	1
Ring Gear Bolts	RGB24	10
Slinger	DS48741-3	1

DRK-339J

Position	Part Number	Qty
Differential Brg.	JLM104948-JLM104910	2
Pinion Head Brg.	NP784953-NP396414	1
Pinion Tail Brg.	M88048-M88010	1
Pinion Seal	DT04101 (1.875x3.156)	1
Crush Sleeve	CS349	1
Pinion Nut	PN5D	1
Gear Marking & Brush	GMC1-BR1	1
Threadlocker	TL1	1
Sealer	RTV Silicone	1

DRK-339JMK

Position	Part Number	Qty
Differential Brg.	JLM104948-JLM104910	2
Pinion Head Brg.	NP784953-NP396414	1
Pinion Tail Brg.	M88048-M88010	1
Pinion Seal	DT04101 (1.875x3.156)	1
Crush Sleeve	CS349	1
Pinion Nut	PN5D	1
Pinion Depth Shims	SK4	1
Differential Shims	SK21	1
Gear Marking & Brush	GMC1-BR1	1
Threadlocker	TL1	1
Sealer	RTV Silicone	1
Ring Gear Bolts	RGB24	10

DRK-339N

Position	Part Number	Qty
Differential Brg.	JLM704649-JLM704610	2
Pinion Head Brg.	HM803146-HM803110	1
Pinion Tail Brg.	M88048-M88010	1
Pinion Seal	711069	1
Crush Sleeve	CS349	1
Pinion Nut	PN5	1
Gear Marking & Brush	GMC1-BR1	1
Threadlocker	TL1	1
Sealer	RTV Silicone	1
Washer	DS30275	1

DRK-339NMK

Position	Part Number	Qty
Differential Brg.	JLM704649-JLM704610	2
Pinion Head Brg.	HM803146-HM803110	1
Pinion Tail Brg.	M88048-M88010	1
Pinion Seal	711069	1
Crush Sleeve	CS349	1
Pinion Nut	PN5	1
Gear Marking & Brush	GMC1-BR1	1
Threadlocker	TL1	1
Sealer	RTV Silicone	1
Pinion Depth Shims	SK4	1
Differential Shims	SK47	1
Ring Gear Bolts	RGB25	10
Washer	DS30275	1

DRK-339T

Position	Part Number	Qty
Differential Brg.	LM603049-LM603011	2
Pinion Head Brg.	M88048-M88010	1
Pinion Tail Brg.	M802048-802011	1
Pinion Seal	38189-8S110	1
Crush Sleeve	CS339	1
Pinion Nut	PN26	1
Gear Marking & Brush	GMC1-BR1	1
Threadlocker	TL1	1
Sealer	RTV Silicone	1

DRK-339TMK

Position	Part Number	Qty
Differential Brg.	LM603049-LM603011	2
Pinion Head Brg.	M88048-M88010	1
Pinion Tail Brg.	M802048-802011	1
Pinion Seal	38189-8S110	1
Crush Sleeve	CS339	1
Pinion Nut	PN26	1
Gear Marking & Brush	GMC1-BR1	1
Threadlocker	TL1	1
Sealer	RTV Silicone	1
Pinion Depth Shims	SK4	1
Ring Gear Bolts	RGB24	10

DRK-339V

Position	Part Number	Qty
Differential Brg.	JLM506849-A-JLM506811	2
Pinion Head Brg.	NP761271-NP998236	1
Pinion Tail Brg.	M802048-M802011	1
Pinion Seal	20964040	1
Crush Sleeve	CS341	1
Pinion Nut	PN25	1
Gear Marking & Brush	GMC1-BR1	1
Threadlocker	TL1	1
Sealer	RTV Silicone	1

Light Duty Differential Rebuild Kits

DRK-339VMK			DRK-350A			DRK-352MK		
Position	Part Number	Qty	Position	Part Number	Qty	Position	Part Number	Qty
Differential Brg.	JLM506849-A-JLM506811	2	Differential Brg.	90368-50006	2	Differential Brg.	JLM104948-LM104912	2
Pinion Head Brg.	NP761271-NP998236	1	Pinion Head Brg.	32307C	1	Pinion Head Brg.	90366-35028	1
Pinion Tail Brg.	M802048-M802011	1	Pinion Tail Brg.	30306	1	Pinion Tail Brg.	90366-30025	1
Pinion Seal	20964040	1	Pinion Seal	1177 (38x74)	1	Pinion Seal	1177 (38x74)	1
Crush Sleeve	CS341	1	Crush Sleeve	CS332	1	Crush Sleeve	CS334	1
Pinion Nut	PN25	1	Pinion Nut	PN23	1	Pinion Nut	PN14	1
Gear Marking & Brush	GMC1-BR1	1	Gear Marking & Brush	GMC1-BR1	1	Gear Marking & Brush	GMC1-BR1	1
Threadlocker	TL1	1	Threadlocker	TL1	1	Threadlocker	TL1	1
Sealer	RTV Silicone	1	Sealer	RTV Silicone	1	Sealer	RTV Silicone	1
Pinion Depth Shims	SK13	1	DRK-350AMK			Pinion Depth Shims	SK32	1
Differential Shims	SK54	1	Position	Part Number	Qty	Ring Gear Bolts	RGB15	10
Ring Gear Bolts	RGB34	12	Differential Brg.	90368-50006	2	Spacer	SP2043	1
DRK-340			Pinion Head Brg.	32307C	1	DRK-352A		
Position	Part Number	Qty	Pinion Tail Brg.	30306	1	Position	Part Number	Qty
Differential Brg.	LM501349-LM501314	2	Pinion Seal	1177 (38x74)	1	Differential Brg.	JLM104948-LM104912	2
Pinion Head Brg.	M802048-M802011	1	Crush Sleeve	CS332	1	Pinion Head Brg.	90366-35028	1
Pinion Tail Brg.	HM88649-HM88610	1	Pinion Nut	PN23	1	Pinion Tail Brg.	90366-30025	1
Pinion Seal	DS50619 (1.803x3.067)	1	Gear Marking & Brush	GMC1-BR1	1	Pinion Seal	90311-41009	1
Crush Sleeve	CS345	1	Threadlocker	TL1	1	Crush Sleeve	CS334	1
Pinion Nut	PN6	1	Sealer	RTV Silicone	1	Pinion Nut	PN18	1
Gear Marking & Brush	GMC1-BR1	1	Pinion Depth Shims	SK32	1	Gear Marking & Brush	GMC1-BR1	1
Threadlocker	TL1	1	Differential Shims	SK7 ²⁷	1	Threadlocker	TL1	1
Sealer	RTV Silicone	1	Ring Gear Bolts	RGB15	10	Sealer	RTV Silicone	1
DRK-340MK			DRK-351			DRK-352AMK		
Position	Part Number	Qty	Position	Part Number	Qty	Position	Part Number	Qty
Differential Brg.	LM501349-LM501314	2	Differential Brg.	LM603049-LM603014	2	Differential Brg.	JLM104948-LM104912	2
Pinion Head Brg.	M802048-M802011	1	Pinion Head Brg.	32307C	1	Pinion Head Brg.	90366-35028	1
Pinion Tail Brg.	HM88649-HM88610	1	Pinion Tail Brg.	30306	1	Pinion Tail Brg.	90366-30025	1
Pinion Seal	DS50619 (1.803x3.067)	1	Pinion Seal	1177 (38x74)	1	Pinion Seal	90311-41009	1
Crush Sleeve	CS345	1	Crush Sleeve	CS331	1	Crush Sleeve	CS334	1
Pinion Nut	PN6	1	Pinion Nut	PN14	1	Pinion Nut	PN18	1
Gear Marking & Brush	GMC1-BR1	1	Gear Marking & Brush	GMC1-BR1	1	Gear Marking & Brush	GMC1-BR1	1
Threadlocker	TL1	1	Threadlocker	TL1	1	Threadlocker	TL1	1
Sealer	RTV Silicone	1	Sealer	RTV Silicone	1	Sealer	RTV Silicone	1
Pinion Depth Shims	SK4	1	DRK-351MK			Pinion Depth Shims	SK32	1
Differential Shims	SK28 ⁵¹	1	Position	Part Number	Qty	Ring Gear Bolts	RGB15	10
Ring Gear Bolts	RGB5-D	10	Differential Brg.	LM603049-LM603014	2	Spacer	SP2043	1
DRK-350			Pinion Head Brg.	32307C	1	DRK-353		
Position	Part Number	Qty	Pinion Tail Brg.	30306	1	Position	Part Number	Qty
Differential Brg.	LM603049-LM603014	2	Pinion Seal	1177 (38x74)	1	Differential Brg.	LM603049-LM603014	2
Pinion Head Brg.	32307C	1	Crush Sleeve	CS331	1	Pinion Head Brg.	30306	1
Pinion Tail Brg.	30306	1	Pinion Nut	PN14	1	Pinion Tail Brg.	90366-35044-77	1
Pinion Seal	1177 (38x74)	1	Gear Marking & Brush	GMC1-BR1	1	Pinion Seal	1177 (38x74)	1
Crush Sleeve	CS332	1	Threadlocker	TL1	1	Crush Sleeve	CS331	1
Pinion Nut	PN23	1	Sealer	RTV Silicone	1	Pinion Nut	PN14	1
Gear Marking & Brush	GMC1-BR1	1	Pinion Depth Shims	SK32	1	Gear Marking & Brush	GMC1-BR1	1
Threadlocker	TL1	1	Ring Gear Bolts	RGB15	10	Threadlocker	TL1	1
Sealer	RTV Silicone	1	DRK-352			Sealer	RTV Silicone	1
DRK-350MK			Position	Part Number	Qty	DRK-353MK		
Position	Part Number	Qty	Differential Brg.	JLM104948-LM104912	2	Position	Part Number	Qty
Differential Brg.	LM603049-LM603014	2	Pinion Head Brg.	90366-35028	1	Differential Brg.	LM603049-LM603014	2
Pinion Head Brg.	32307C	1	Pinion Tail Brg.	90366-30025	1	Pinion Head Brg.	30306	1
Pinion Tail Brg.	30306	1	Pinion Seal	1177 (38x74)	1	Pinion Tail Brg.	90366-35044-77	1
Pinion Seal	1177 (38x74)	1	Crush Sleeve	CS334	1	Pinion Seal	1177 (38x74)	1
Crush Sleeve	CS332	1	Pinion Nut	PN14	1	Crush Sleeve	CS331	1
Pinion Nut	PN23	1	Gear Marking & Brush	GMC1-BR1	1	Pinion Nut	PN14	1
Gear Marking & Brush	GMC1-BR1	1	Threadlocker	TL1	1	Gear Marking & Brush	GMC1-BR1	1
Threadlocker	TL1	1	Sealer	RTV Silicone	1	Threadlocker	TL1	1
Sealer	RTV Silicone	1	DRK-352MK			Sealer	RTV Silicone	1
Pinion Depth Shims	SK32	1	Position	Part Number	Qty	Pinion Depth Shims	SK32	1
Ring Gear Bolts	RGB15	10	Differential Brg.	JLM104948-LM104912	2	Ring Gear Bolts	RGB15	10

LD Differential

²⁷Order SSK7 for stackable differential shims. ⁵¹Order SSK28 for stackable differential shims.

Light Duty Differential Rebuild Kits



LD Differential

DRK-354A

Position	Part Number	Qty
Differential Left Brg.	90366-75001	1
Differential Right Brg.	90366-50007	1
Pinion Head Brg.	90366-30025	1
Pinion Tail Brg.	90366-35028	1
Pinion Seal	1177 (38x74)	1
Crush Sleeve	CS334	1
Pinion Nut	PN14	1
Gear Marking & Brush	GMC1-BR1	1
Threadlocker	TL1	1
Sealer	RTV Silicone	1

DRK-354AMK

Position	Part Number	Qty
Differential Left Brg.	90366-75001	1
Differential Right Brg.	90366-50007	1
Pinion Head Brg.	90366-30025	1
Pinion Tail Brg.	90366-35028	1
Pinion Seal	1177 (38x74)	1
Crush Sleeve	CS334	1
Pinion Nut	PN14	1
Gear Marking & Brush	GMC1-BR1	1
Threadlocker	TL1	1
Sealer	RTV Silicone	1
Pinion Depth Shims	SK32	1
Ring Gear Bolts	RGB19	12

DRK-354B

Position	Part Number	Qty
Differential Left Brg.	90366-75001	1
Differential Right Brg.	JLM104948-LM104912	1
Pinion Head Brg.	90366-35028	1
Pinion Tail Brg.	90366-30025	1
Pinion Seal	90311-44007	1
Crush Sleeve	CS327	1
Pinion Nut	PN18	1
Gear Marking & Brush	GMC1-BR1	1
Threadlocker	TL1	1
Sealer	RTV Silicone	1

DRK-354BMK

Position	Part Number	Qty
Differential Left Brg.	90366-75001	1
Differential Right Brg.	JLM104948-LM104912	1
Pinion Head Brg.	90366-35028	1
Pinion Tail Brg.	90366-30025	1
Pinion Seal	90311-44007	1
Crush Sleeve	CS327	1
Pinion Nut	PN18	1
Gear Marking & Brush	GMC1-BR1	1
Threadlocker	TL1	1
Sealer	RTV Silicone	1
Pinion Depth Shims	SK32	1
Ring Gear Bolts	RGB15	12

DRK-355

Position	Part Number	Qty
Differential Brg.	90366-51001	2
Pinion Head Brg.	HM88649-HM88610	1
Pinion Tail Brg.	90366-40068	1
Pinion Seal	90311-44007	1
Crush Sleeve	CS327	1
Pinion Nut	PN15	1
Gear Marking & Brush	GMC1-BR1	1
Threadlocker	TL1	1
Sealer	RTV Silicone	1

DRK-355MK

Position	Part Number	Qty
Differential Brg.	90366-51001	2
Pinion Head Brg.	HM88649-HM88610	1
Pinion Tail Brg.	90366-40068	1
Pinion Seal	90311-44007	1
Crush Sleeve	CS327	1
Pinion Nut	PN15	1
Gear Marking & Brush	GMC1-BR1	1
Threadlocker	TL1	1
Sealer	RTV Silicone	1
Differential Shims	SK47	1
Pinion Depth Shims	SK49	1
Ring Gear Bolts	RGB19	12

DRK-356

Position	Part Number	Qty
Differential Left Brg.	90366-75001	1
Differential Right Brg.	90366-50007	1
Pinion Head Brg.	90366-30025	1
Pinion Tail Brg.	90366-35028	1
Pinion Seal	1177 (38x74)	1
Crush Sleeve	CS334	1
Pinion Nut	PN14	1
Gear Marking & Brush	GMC1-BR1	1
Threadlocker	TL1	1
Sealer	RTV Silicone	1
Gasket	GR-TFJ80F	1

DRK-356MK

Position	Part Number	Qty
Differential Left Brg.	90366-75001	1
Differential Right Brg.	90366-50007	1
Pinion Head Brg.	90366-30025	1
Pinion Tail Brg.	90366-35028	1
Pinion Seal	1177 (38x74)	1
Crush Sleeve	CS334	1
Pinion Nut	PN14	1
Gear Marking & Brush	GMC1-BR1	1
Threadlocker	TL1	1
Sealer	RTV Silicone	1
Pinion Depth Shims	SK32	1
Ring Gear Bolts	RGB15	10
Gasket	GR-TFJ80F	1

DRK-356A

Position	Part Number	Qty
Differential Brg.	90366-50007	2
Pinion Head Brg.	90366-30025	1
Pinion Tail Brg.	90366-35028	1
Pinion Seal	1177 (38x74)	1
Crush Sleeve	CS334	1
Pinion Nut	PN14	1
Gear Marking & Brush	GMC1-BR1	1
Threadlocker	TL1	1
Gasket	GR-TFJ80F	1
Sealer	RTV Silicone	1

DRK-356AMK

Position	Part Number	Qty
Differential Brg.	90366-50007	2
Pinion Head Brg.	90366-30025	1
Pinion Tail Brg.	90366-35028	1
Pinion Seal	1177 (38x74)	1
Crush Sleeve	CS334	1
Pinion Nut	PN14	1
Gear Marking & Brush	GMC1-BR1	1
Threadlocker	TL1	1
Gasket	GR-TFJ80F	1
Sealer	RTV Silicone	1
Pinion Depth Shims	SK32	1
Ring Gear Bolts	RGB15	10

DRK-357

Position	Part Number	Qty
Differential Brg.	32012X	2
Pinion Head Brg.	30308	1
Pinion Tail Brg.	30306	1
Pinion Seal	1177 (38x74)	1
Crush Sleeve	CS340	1
Pinion Nut	PN16	1
Gear Marking & Brush	GMC1-BR1	1
Threadlocker	TL1	1
Sealer	RTV Silicone	1

DRK-357MK

Position	Part Number	Qty
Differential Brg.	32012X	2
Pinion Head Brg.	30308	1
Pinion Tail Brg.	30306	1
Pinion Seal	1177 (38x74)	1
Crush Sleeve	CS340	1
Pinion Nut	PN16	1
Gear Marking & Brush	GMC1-BR1	1
Threadlocker	TL1	1
Sealer	RTV Silicone	1
Pinion Depth Shims	SK15	1
Ring Gear Bolts	RGB20	12

DRK-357A

Position	Part Number	Qty
Differential Brg.	32010X	2
Pinion Head Brg.	30308	1
Pinion Tail Brg.	30306	1
Pinion Seal	1177 (38x74)	1
Crush Sleeve	CS340	1
Pinion Nut	PN16	1
Gear Marking & Brush	GMC1-BR1	1
Threadlocker	TL1	1
Sealer	RTV Silicone	1

DRK-357AMK

Position	Part Number	Qty
Differential Brg.	32010X	2
Pinion Head Brg.	30308	1
Pinion Tail Brg.	30306	1
Pinion Seal	1177 (38x74)	1
Crush Sleeve	CS340	1
Pinion Nut	PN16	1
Gear Marking & Brush	GMC1-BR1	1
Threadlocker	TL1	1
Sealer	RTV Silicone	1
Pinion Depth Shims	SK15	1
Ring Gear Bolts	RGB20	12

DRK-358

Position	Part Number	Qty
Differential Brg.	LM603049-LM603014	2
Pinion Head Brg.	30308	1
Pinion Tail Brg.	30306	1
Pinion Seal	1177 (38x74)	1
Crush Sleeve	CS340	1
Pinion Nut	PN16	1
Gear Marking & Brush	GMC1-BR1	1
Threadlocker	TL1	1
Sealer	RTV Silicone	1

DRK-358MK

Position	Part Number	Qty
Differential Brg.	LM603049-LM603014	2
Pinion Head Brg.	30308	1
Pinion Tail Brg.	30306	1
Pinion Seal	1177 (38x74)	1
Crush Sleeve	CS340	1
Pinion Nut	PN16	1
Gear Marking & Brush	GMC1-BR1	1
Threadlocker	TL1	1
Sealer	RTV Silicone	1
Pinion Depth Shims	SK15	1
Ring Gear Bolts	RGB20	12

Light Duty Differential Rebuild Kits

DRK-359		
Position	Part Number	Qty
Differential Brg.	90366-53004	2
Pinion Head Brg.	90366-35028	1
Pinion Tail Brg.	90366-30025	1
Pinion Seal	90311-41009	1
Crush Sleeve	CS351	1
Pinion Nut	PN18	1
Gear Marking & Brush	GMC1-BR1	1
Threadlocker	TL1	1
Sealer	RTV Silicone	1

DRK-359MK		
Position	Part Number	Qty
Differential Brg.	90366-53004	2
Pinion Head Brg.	90366-35028	1
Pinion Tail Brg.	90366-30025	1
Pinion Seal	90311-41009	1
Crush Sleeve	CS351	1
Pinion Nut	PN18	1
Gear Marking & Brush	GMC1-BR1	1
Threadlocker	TL1	1
Sealer	RTV Silicone	1
Pinion Depth Shims	SK32	1
Differential Shims	SK47	1
Ring Gear Bolts	RGB19	12

DRK-360		
Position	Part Number	Qty
Differential Brg.	LM603049-LM603014	2
Pinion Head Brg.	30307	1
Pinion Tail Brg.	30306	1
Pinion Seal	710523 (40x72)	1
Crush Sleeve	CS332	1
Pinion Nut	PN14	1
Gear Marking & Brush	GMC1-BR1	1
Threadlocker	TL1	1
Sealer	RTV Silicone	1

DRK-360MK		
Position	Part Number	Qty
Differential Brg.	LM603049-LM603014	2
Pinion Head Brg.	30307	1
Pinion Tail Brg.	30306	1
Pinion Seal	710523 (40x72)	1
Crush Sleeve	CS332	1
Pinion Nut	PN14	1
Gear Marking & Brush	GMC1-BR1	1
Threadlocker	TL1	1
Sealer	RTV Silicone	1
Pinion Depth Shims	SK32	1
Ring Gear Bolts	RGB28	10

DRK-365		
Position	Part Number	Qty
Differential Right Brg.	32012X	1
Differential Left Brg.	32017X	1
Pinion Head Brg.	805177	1
Pinion Tail Brg.	805177	1
Pinion Seal	68034401AA	1
Pinion Nut	PN22	1
Gear Marking & Brush	GMC1-BR1	1
Threadlocker	TL1	1
Sealer	RTV Silicone	1

DRK-366		
Position	Part Number	Qty
Differential Brg.	JLM704649-JLM704610	2
Pinion Head Brg.	NP524102-NP912904	1
Pinion Tail Brg.	M88048-M88010	1
Pinion Seal	710481 (1.893x2.811)	1
Crush Sleeve	CS303	1
Pinion Nut	PN19	1
Pinion Nut	PN5D	1
Gear Marking & Brush	GMC1-BR1	1
Threadlocker	TL1	1
Sealer	RTV Silicone	1

DRK-367		
Position	Part Number	Qty
Differential Brg.	23471878	2
Pinion Head Brg.	STD4183KELFT	1
Pinion Tail Brg.	23471880	1
Pinion Seal	23490373	1
Crush Sleeve	CS364	1
Pinion Nut	23493140	1
Gear Marking & Brush	GMC1-BR1	1
Threadlocker	TL1	1
Sealer	RTV Silicone	1

DRK-367MK		
Position	Part Number	Qty
Differential Brg.	23471878	2
Pinion Head Brg.	STD4183KELFT	1
Pinion Tail Brg.	23471880	1
Pinion Seal	23490373	1
Crush Sleeve	CS364	1
Pinion Nut	23493140	1
Gear Marking & Brush	GMC1-BR1	1
Threadlocker	TL1	1
Sealer	RTV Silicone	1
Differential Shims	SK54	1
Pinion Depth Shims	SK3	1
Ring Gear Bolts	RGB18	10

DRK-368		
Position	Part Number	Qty
Differential Brg.	387A-382S	2
Pinion Head Brg.	23490334	1
Pinion Tail Brg.	23471879	1
Pinion Seal	84053572	1
Crush Sleeve	CS365	1
Pinion Nut	23493140	1
Gear Marking & Brush	GMC1-BR1	1
Threadlocker	TL1	1
Sealer	RTV Silicone	1

DRK-368MK		
Position	Part Number	Qty
Differential Brg.	387A-382S	2
Pinion Head Brg.	23490334	1
Pinion Tail Brg.	23471879	1
Pinion Seal	84053572	1
Crush Sleeve	CS365	1
Pinion Nut	23493140	1
Gear Marking & Brush	GMC1-BR1	1
Threadlocker	TL1	1
Sealer	RTV Silicone	1
Differential Shims	SK54	1
Pinion Depth Shims	SK3	1
Ring Gear Bolts	RGB18	1

DRK-369		
Position	Part Number	Qty
Differential Right Brg.	23471878	1
Differential Left Brg.	LM603049-LM603012	1
Pinion Head Brg.	23471879	1
Pinion Tail Brg.	23471880	1
Pinion Seal	100715-V	1
Crush Sleeve	CS366	1
Pinion Nut	PN18	1
Gear Marking & Brush	GMC1-BR1	1
Threadlocker	TL1	1
Sealer	RTV Silicone	1

DRK-369MK		
Position	Part Number	Qty
Differential Right Brg.	23471878	1
Differential Left Brg.	LM603049-LM603012	1
Pinion Head Brg.	23471879	1
Pinion Tail Brg.	23471880	1
Pinion Seal	100715-V	1
Crush Sleeve	CS366	1
Pinion Nut	PN18	1
Gear Marking & Brush	GMC1-BR1	1
Threadlocker	TL1	1
Sealer	RTV Silicone	1
Pinion Depth Shims	SK3	1
Differential Shims	SK54	1
Ring Gear Bolts	RGB18	10

DRK-370		
Position	Part Number	Qty
Differential Brg.	32010X	2
Pinion Head Brg.	M802048-M802011	1
Pinion Tail Brg.	NP922169-NP233028	1
Pinion Seal	68049798AA	1
Gear Marking & Brush	GMC1-BR1	1
Threadlocker	TL1	1
Sealer	RTV Silicone	1

DRK-370MK		
Position	Part Number	Qty
Differential Brg.	32010X	2
Pinion Head Brg.	M802048-M802011	1
Pinion Tail Brg.	NP922169-NP233028	1
Pinion Seal	68049798AA	1
Gear Marking & Brush	GMC1-BR1	1
Threadlocker	TL1	1
Sealer	RTV Silicone	1
Pinion Brg. Shims	SK3	1
Differential Shims	SK52	1
Spacer	SK53	1

DRK-380		
Position	Part Number	Qty
Differential Brg.	90366-58013	2
Pinion Head Brg.	90366-40114	1
Pinion Tail Brg.	90363-35063	1
Pinion Seal	90311-46006	1
Crush Sleeve	CS357	1
Pinion Nut	PN24	1
Gear Marking & Brush	GMC1-BR1	1
Threadlocker	TL1	1
Sealer	RTV Silicone	1

DRK-380MK		
Position	Part Number	Qty
Differential Brg.	90366-58013	2
Pinion Head Brg.	90366-40114	1
Pinion Tail Brg.	90363-35063	1
Pinion Seal	90311-46006	1
Crush Sleeve	CS357	1
Pinion Nut	PN24	1
Gear Marking & Brush	GMC1-BR1	1
Threadlocker	TL1	1
Sealer	RTV Silicone	1
Pinion Depth Shims	SK47	1
Differential Shims	SK13 ⁵⁴	1

DRK-381		
Position	Part Number	Qty
Differential Brg.	32010X	2
Pinion Head Brg.	90366-A0014	1
Pinion Tail Brg.	90366-A0014	1
Pinion Seal	90311-A0007	1
Crush Sleeve	CS358	1
Pinion Nut	PN24	1
Gear Marking & Brush	GMC1-BR1	1
Threadlocker	TL1	1
Sealer	RTV Silicone	1

⁵⁴Order SSK13 for stackable differential shims.

Light Duty Differential Rebuild Kits



LD Differential

DRK-381MK

Position	Part Number	Qty
Differential Brg.	32010X	2
Pinion Head Brg.	90366-A0011	1
Pinion Tail Brg.	90366-A0014	1
Pinion Seal	90311-A0007	1
Crush Sleeve	CS358	1
Pinion Nut	PN24	1
Gear Marking & Brush	GMC1-BR1	1
Threadlocker	TL1	1
Sealer	RTV Silicone	1
Pinion Depth Shims	SK4	1

DRK-382

Position	Part Number	Qty
Differential Brg.	90366-A0020	2
Pinion Head Brg.	90366-A0017	1
Pinion Tail Brg.	90366-A0023	1
Pinion Seal	710734 (52x87)	1
Solid Spacer	SS105	1
Pinion Nut	PN24	1
Gear Marking & Brush	GMC1-BR1	1
Threadlocker	TL1	1
Sealer	RTV Silicone	1

DRK-382MK

Position	Part Number	Qty
Differential Brg.	90366-A0020	2
Pinion Head Brg.	90366-A0017	1
Pinion Tail Brg.	90366-A0023	1
Pinion Seal	710734 (52x87)	1
Solid Spacer	SS105	1
Pinion Nut	PN24	1
Gear Marking & Brush	GMC1-BR1	1
Threadlocker	TL1	1
Sealer	RTV Silicone	1
Pinion Depth Shims	SK23	1
Pinion Brg. Shims	SK44	2
Differential Shims	SK13 ⁵⁴	1

DRK-382A

Position	Part Number	Qty
Differential Brg.	90366-60021	2
Pinion Head Brg.	90366-45044	1
Pinion Tail Brg.	90366-40123	1
Pinion Seal	710734 (52x87)	1
Crush Sleeve	CS360	1
Pinion Nut	PN24	1
Gear Marking & Brush	GMC1-BR1	1
Threadlocker	TL1	1
Sealer	RTV Silicone	1

DRK-382AMK

Position	Part Number	Qty
Differential Brg.	90366-60021	2
Pinion Head Brg.	90366-45044	1
Pinion Tail Brg.	90366-40123	1
Pinion Seal	710734 (52x87)	1
Crush Sleeve	CS360	1
Pinion Nut	PN24	1
Gear Marking & Brush	GMC1-BR1	1
Threadlocker	TL1	1
Sealer	RTV Silicone	1
Pinion Depth Shims	SK10	1
Differential Shims	SK42 ⁵²	1

DRK-383

Position	Part Number	Qty
Differential Brg.	90366-50130	2
Pinion Head Brg.	90366-40132	1
Pinion Tail Brg.	90366-35157	1
Pinion Seal	90311-44008	1
Crush Sleeve	CS362	1
Pinion Nut	PN24	1
Gear Marking & Brush	GMC1-BR1	1
Threadlocker	TL1	1
Sealer	RTV Silicone	1

DRK-383MK

Position	Part Number	Qty
Differential Brg.	90366-50130	2
Pinion Head Brg.	90366-40132	1
Pinion Tail Brg.	90366-35157	1
Pinion Seal	90311-44008	1
Crush Sleeve	CS362	1
Pinion Nut	PN24	1
Pinion Depth Shims	SK23	1
Gear Marking & Brush	GMC1-BR1	1
Threadlocker	TL1	1
Sealer	RTV Silicone	1
Ring Gear Bolts	RGB15	12

DRK-383A

Position	Part Number	Qty
Differential Right Brg.	JLM104948-LM104912	1
Differential Left Brg.	90366-75001	1
Pinion Head Brg.	90366-40132	1
Pinion Tail Brg.	90366-35157	1
Pinion Seal	90311-44008	1
Crush Sleeve	CS362	1
Pinion Nut	PN24	1
Gear Marking & Brush	GMC1-BR1	1
Threadlocker	TL1	1
Sealer	RTV Silicone	1

DRK-383AMK

Position	Part Number	Qty
Differential Right Brg.	JLM104948-LM104912	1
Differential Left Brg.	90366-75001	1
Pinion Head Brg.	90366-40132	1
Pinion Tail Brg.	90366-35157	1
Pinion Seal	90311-44008	1
Crush Sleeve	CS362	1
Pinion Nut	PN24	1
Pinion Depth Shims	SK23	1
Gear Marking & Brush	GMC1-BR1	1
Threadlocker	TL1	1
Sealer	RTV Silicone	1
Ring Gear Bolts	RGB15	12

DRK-384

Position	Part Number	Qty
Differential Brg.	HCST5383LFT	2
Pinion Head Brg.	TRD091004LFT	1
Pinion Tail Brg.	KESTN3580LFT	1
Pinion Seal	90311-T0068	1
Pinion Seal	90311-T0065	1
Crush Sleeve	CS367	1
Pinion Nut	PN14	1
Gear Marking & Brush	GMC1-BR1	1
Threadlocker	TL1	1
Sealer	RTV Silicone	1

DRK-384MK

Position	Part Number	Qty
Differential Brg.	HCST5383LFT	2
Pinion Head Brg.	TRD091004LFT	1
Pinion Tail Brg.	KESTN3580LFT	1
Pinion Seal	90311-T0068	1
Pinion Seal	90311-T0065	1
Crush Sleeve	CS367	1
Pinion Nut	PN14	1
Gear Marking & Brush	GMC1-BR1	1
Threadlocker	TL1	1
Sealer	RTV Silicone	1
Differential Shims	SK47	1
Pinion Depth Shims	SK23	1
Ring Gear Bolts	RGB19	12

DRK-384A

Position	Part Number	Qty
Differential Left Brg.	90366-50130	1
Differential Right Brg.	HCSTA5076LFT	1
Pinion Head Brg.	TRD091004LFT	1
Pinion Tail Brg.	KESTN3580LFT	1
Pinion Seal	90311-T0068	1
Pinion Seal	90311-T0065	1
Crush Sleeve	CS367	1
Pinion Nut	PN14	1
Gear Marking & Brush	GMC1-BR1	1
Threadlocker	TL1	1
Sealer	RTV Silicone	1

DRK-384AMK

Position	Part Number	Qty
Differential Left Brg.	90366-50130	1
Differential Right Brg.	HCSTA5076LFT	1
Pinion Head Brg.	TRD091004LFT	1
Pinion Tail Brg.	KESTN3580LFT	1
Pinion Seal	90311-T0068	1
Pinion Seal	90311-T0065	1
Crush Sleeve	CS367	1
Pinion Nut	PN14	1
Gear Marking & Brush	GMC1-BR1	1
Threadlocker	TL1	1
Sealer	RTV Silicone	1
Differential Shims	SK47	1
Pinion Depth Shims	SK23	1
Ring Gear Bolts	RGB19	12

DRK-385A

Position	Part Number	Qty
Differential Brg.	30209C	2
Pinion Head Brg.	32307	2
Pinion Tail Brg.	32306C	1
Pinion Seal	710245	1
Crush Sleeve	CS368	1
Pinion Nut	PN27	1
Gear Marking & Brush	GMC1-BR1	1
Threadlocker	TL1	1
Sealer	RTV Silicone	1
Pinion Depth Shims	SK32	1

DRK-385B

Position	Part Number	Qty
Differential Brg.	30208	2
Pinion Nose Brg.	305-65	1
Pinion Head Brg.	32307	2
Pinion Tail Brg.	32305	1
Pinion Seal	2011	1
Crush Sleeve	CS368	1
Pinion Nut	PN27	1
Gear Marking & Brush	GMC1-BR1	1
Threadlocker	TL1	1
Sealer	RTV Silicone	1
Pinion Depth Shims	SK32	1
Differential Shims	SK7	1

DRK-385C

Position	Part Number	Qty
Differential Brg.	LM603049-LM603014	2
Pinion Head Brg.	32307-C	1
Pinion Tail Brg.	32306	1
Pinion Seal	710195	1
Pinion Nut	PN28	1
Pinion Depth Shims	SK17	2
Differential Shims	SK7 ²⁷	2
Gear Marking & Brush	GMC1-BR1	1
Threadlocker	TL1	1
Sealer	RTV Silicone	1

Light Duty Differential Rebuild Kits

DRK-385D

Position	Part Number	Qty
Differential Brg.	LM603049-LM603014	2
Pinion Head Brg.	32307-C	1
Pinion Tail Brg.	32308	1
Pinion Seal	710195	1
Pinion Nut	PN28	1
Pinion Depth Shims	SK17	2
Differential Shims	SK7	2
Gear Marking & Brush	GMC1-BR1	1
Threadlocker	TL1	1
Sealer	RTV Silicone	1

DRK-434

Position	Part Number	Qty
Differential Right Brg.	3984-3920	1
Differential Left Brg.	3984-3920	1
Pinion Head Brg.	72212C-72487	1
Pinion Tail Brg.	55200C-55437	1
Pinion Seal	DT7591 (2.913x4.561)	1
Sealer	RTV Silicone	1

DRK-452

Position	Part Number	Qty
Differential Right Brg.	3984-3920	1
Differential Left Brg.	594A-592A	1
Pinion Head Brg.	NP340526-NP420924	1
Pinion Tail Brg.	55200C-55437	1
Pinion Seal	DT7591 (2.913x4.561)	1
Sealer	RTV Silicone	1

Axle Product by Axle Size

AMC Model 20 Axle (12 Bolt Cover)

Rebuild Kit **Comments**

DRK-311J Standard Kit
 DRK-311JMK Master Kit

Open Case **Comments**

AMC20-CASE 3.08-4.88 Ratios

Internal Kit **Comments**

AMC20-IK

Ring & Pinion **Ratio**

AMC273 2.73 (41-15)
 AMC308 3.08 (40-14)
 AMC331 3.31 (43-13)
 AMC354 3.54 (39-11)
 AMC373 3.73 (41-11)
 AMC410 4.10 (41-10)
 AMC456 4.56 (41-9)
 AMC488 4.88 (39-8)

Differential **Comments**

542081 Auburn Pro 3.07 & Higher, 29 Spline (66-86)

Chrysler 7.25" Axle (9 or 10 Bolt Cover)

Rebuild Kit **Comments**

DRK-302 Standard Kit
 DRK-302MK Master Kit

Open Case **Comments**

C725-CASE 2.76 & Higher

Internal Kit **Comments**

C725-IK 25 Spline

Ring & Pinion **Ratio**

C725293 2.93 (41-11)
 C725323 3.23 (42-13)
 C725355 3.55 (39-11)
 C725391 3.91 (39-10)

2WD/

Application	Years	4WD	Axle Shaft	Comments	Length	Studs	Spline	Side
Dakota	91-96	2	AS4506147		30-1/4"	6	25	R/L
Dakota	91-96	2	AS4348511		30-1/4"	5	25	R/L

Call for other applications or dimensions.

LD Differential

Axle Product by Axle Size

Chrysler 8.25" Axle (10 Bolt Cover)

Rebuild Kit **Comments**

DRK-303 Kit Series

Refer to the vehicle index for proper kit selection

Open Case **Comments**

C825-CASE

Internal Kit **Comments**

C825-IK 27 Spline

C825-IKB 29 Spline

Ring & Pinion **Ratio**

C825321 3.21 (45-14)

C825323 3.23 (42-13)

C825355 3.55 (39-11)

C825390 3.90 (43-11)

C825410 4.10 (41-10)

C825456 4.56 (41-9)

Differential **Comments**

542072 Auburn HP 2.71 & Higher, 27 Spline (66-96)

542074 Auburn HP 2.71 & Higher, 29 Spline (97-On)

187C151A Detroit Locker 2.73 & Higher, 27 Spline (69-96)

187C179A Detroit Locker 2.73 & Higher, 29 Spline (97-09)

912A553 Detroit Truetrac 2.73 & Higher, 29 Spline (97-09)

Application	Years	2WD/		Comments	Length	Studs	Spline	Side
		4WD	Axle Shaft					
Dakota	87-90	2/4	AS4348510		30-3/4	5	27	R/L
Dakota	91-96	2/4	AS4506115		30-3/4"	6	27	R/L
Jeep Cherokee	91-96	2/4	AS53008134		29-3/4"	5	27	R/L
Jeep Cherokee	97-01	4	AS5018393		29-3/4"	5	29	R/L
Van 1/2 Ton	85-96	2/4	AS4137670		32-9/16"	5	27	R/L
Van 3/4 Ton	85-96	2/4	AS4137670		32-9/16"	5	27	R/L

Call for other applications or dimensions.

Axle Product by Axle Size

Chrysler 8.75" Axle Early 1.75" Pinion (12 Bolt Cover)

Rebuild Kit	Comments
--------------------	-----------------

DRK-300	Standard Kit
DRK-300MK	Master Kit

Ring & Pinion	Ratio
--------------------------	--------------

C875391E	3.90 (43-11)
C875410E	4.10 (41-10)
C875430E	4.30 (43-10)
C875457E	4.57 (32-7)
C875486E	4.86 (34-7)
C875513E	5.13 (41-8)
C875538E	5.38 (43-8)
C875557E	5.57 (39-7)

Differential	Comments
---------------------	-----------------

542051	Auburn Pro 30 Spline (57-74)
--------	------------------------------

Chrysler 8.75" Axle Late 1.875" Pinion (12 Bolt Cover)

Rebuild Kit	Comments
--------------------	-----------------

DRK-301	Standard Kit
DRK-301MK	Master Kit

Ring & Pinion	Ratio
--------------------------	--------------

C875355L	3.55 (39-11)
C875390L	3.90 (43-11)
C875410L	4.10 (41-10)
C875430L	4.30 (43-10)
C875457L	4.57 (32-7)
C875486L	4.86 (34-7)
C875513L	5.13 (41-8)
C875538L	5.38 (43-8)

Differential	Comments
---------------------	-----------------

542051	Auburn Pro 30 Spline (57-74)
187SL14A	Detroit Locker 2.76-4.56, 30 Spline (69-74)
913A572	Detroit Truetrac 2.76-4.56, 30 Spline (69-74)

Axle Product by Axle Size

Chrysler 9.25" Axle-Corporate (12 Bolt Cover)

Rebuild Kit	Comments
DRK-304	Standard Kit (69-00)
DRK-304MK	Master Kit (69-00)
DRK-304A	Standard Kit (01-10)
DRK-304AMK	Master Kit (01-10)

Open Case	Comments
C925-CASE	

Internal Kit	Comments
C925-IK	31 Spline

Ring & Pinion	Ratio
C925323	3.21 (45-14) Fits 69-10
C925355	3.55 (39-11) Fits 69-10
C925390	3.90 (43-11) Fits 69-10
C925410	4.10 (41-10) Fits 69-10
C925456	4.56 (41-9) Fits 69-10

Differential	Comments
542071	Auburn HP 2.71 / Higher, 31 Spline (68-83)
542070-AG1	Auburn HP 2.71 / Higher, 31 Spline (84-10)
5420142-AG1	Auburn HP 2.71 / Higher, 31 Spline (10-On)
187C172A	Detroit Locker 2.76-4.56, 31 Spline (74-10)
913A368	Detroit Truetrac 2.76-4.56, 31 Spline (74-10)

Application	Years	2WD/		Comments	Length	Studs	Spline	Side
		4WD	Axle Shaft					
Passenger Car	73-78	2	AS3723824		31-11/16"	5	31	R/L
Ram Charger	74-82	2	AS3723824		31-11/16"	5	31	R/L
Ram Charger	85 -93	2	AS4137429		31-5/8"	5	31	R/L
Ram Charger	74-79	4	AS3723824		31-11/16"	5	31	R/L
Ram Charger	80-84	4	AS4037726	Thru 4/2/84	31-5/8"	5	31	R/L
Ram Charger	84 -93	4	AS4137429	After 4/3/84	31-5/8"	5	31	R/L
Trail Duster	74-81	2	AS3723824		31-11/16"	5	31	R/L
Trail Duster	74-79	4	AS3723824		31-11/16"	5	31	R/L
Trail Duster	80-81	4	AS4037726		31-5/8"	5	31	R/L
Truck 1/2 Ton	74-83	2	AS3723824		31-11/16"	5	31	R/L
Truck 1/2 Ton	85 -93	2	AS4137429		31-5/8"	5	31	R/L
Truck 1/2 Ton	75-79	4	AS3723824		31-11/16"	5	31	R/L
Truck 1/2 Ton	80-84	4	AS4037726	Thru 4/2/84	31-5/8"	5	31	R/L
Truck 1/2 Ton	84 -93	4	AS4137429	After 4/3/84	31-5/8"	5	31	R/L
Truck 1/2 Ton	94-05	2/4	AS52067614		34"	5	31	R/L
Van 1/2 Ton	98-03	2	AS52067708AB		32-9/16"	5	31	R/L
Van 3/4 Ton	92-99	2	AS52067708AB		32-9/16"	5	31	R/L
Van 1 Ton	92-94	2	AS52067708AB		32-9/16"	5	31	R/L

Call for other applications or dimensions.

Axle Product by Axle Size

Chrysler 9.25" Axle-Front-AAM (14 Bolt Cover)

Rebuild Kit

DRK-324G
 DRK-324GMK

Comments

Standard Kit (03-16)
 Master Kit (03-16)

Open Case

GM95-CASE-LOAD
 C925-CASEB
 C925-CASEC

Comments

2003-06
 2007-13 (Includes Internals)
 2014-16, (Includes Internals)

Internal Kit

GM95-IK
 AAM-C925-IK-SP

Comments

2003-06
 2007-14

Ring & Pinion

C925373F
 C925410F
 C925342GS-1
 C925373GS-2
 C925410GS-2
 CPW925410GS

Ratio

3.73 Fits 03-13
 4.10 Fits 03-13
 3.42 Fits 14-16
 3.73 Fits 14-16
 4.10 Fits 14-16
 4.10 Fits 14-16 Powerwagon Only

Differential

914A643

Comments

Detroit Truetrac, 33 Spline (03-10)*

*2007 and newer vehicles must use 03-06 Ring & Pinion

Application	Years	2WD/		Comments	Length	Studs	Spline	Side
		4WD	Axle Shaft					
Truck 3/4 and 1 Ton	14-16	4	AS40104193					L
Truck 3/4 and 1 Ton	14-16	4	AS40104194					R

Axle Product by Axle Size

Chrysler 10.5" Rear Axle-AAM (14 Bolt Cover)

<u>Rebuild Kit</u>	<u>Comments</u>
DRK-306	Standard Kit (03-13)
DRK-306MK	Master Kit (03-13)

<u>Open Case</u>	<u>Comments</u>
C105-CASE (03-09)	2003-13 (Includes Internals)

<u>Internal Kit</u>	<u>Comments</u>
C105-IK (03-09)	2003-13

<u>Ring & Pinion</u>	<u>Ratio</u>
C105373	3.73
C105410	4.10

Axle Product by Axle Size

Chrysler 11.5" & 11.8" Rear Axle (14 Bolt Cover)

Rebuild Kit

DRK-327 Kit Series

Refer to the vehicle index for proper kit selection

Conversion Kit

DRK-327-CONVMK

Use this kit to put an 03-13 Ring and Pinion into a 2014-16 Housing

Open Case

Comments

GM115-CASE-LOAD
40149229

3.73, 4.10 & 4.63 Gear Ratios (Includes Internals)
Ram 11.8" 2016-17 Case

Ring & Pinion

Ratio

GM115342	3.42-Fits 2003-13 3/4 Ton; 2003-16 1 Ton
GM115373	3.73 (41-11) Fits 2003-13 3/4 Ton; 2003-16 1 Ton
GM115410	4.10 (41-10) Fits 2003-13 3/4 Ton; 2003-16 1 Ton
GM115444	4.44 Fits 2003-13 3/4 Ton; 2003-16 1 Ton
GM115456	4.56 Fits 2003-13 3/4 Ton; 2003-16 1 Ton
GM115463	4.63 (37-8) Fits 2003-13 3/4 Ton; 2003-16 1 Ton
GM115513	5.13 Fits 2003-13 3/4 Ton; 2003-16 1 Ton
C115342GSK	3.42-Fits 2014-2016 3/4 Ton Truck Only
C115373GSK	3.73-Fits 2014-2016 3/4 Ton Truck Only
C115410GSK	4.10-Fits 2014-2016 3/4 Ton Truck Only
C118373GSK1	3.73-Fits 2014-2015 W/ 11.8" R/P
C118410GSK1	4.10-Fits 2014-2015 W/ 11.8" R/P
C118373GSK2	3.73-Fits 2016-2017 W/ 11.8" R/P
C118410GSK2	4.10-Fits 2016-2017 W/ 11.8" R/P

Differential

Comments

40099548	Locking Differential - Original OE
250SL195A	Detroit Locker 30 Spline (03-09)
915A568	Detroit Truetrac 30 Spline (03-09)

2WD/

Application	Years	4WD	Axle Shaft	Comments	Length	Studs	Spline	Side
Truck 3/4 Ton	03-10	All	AS40022279	SRW				R/L
Truck 1 Ton	03-10	All	AS40022280	DRW				RIL

Call for other applications or dimensions.

Axle Product by Axle Size

Ford 7.5" Axle (10 Bolt Cover)

Rebuild Kit **Comments**

DRK-315 Standard Kit
DRK-315MK Master Kit

Open Case **Comments**

FD75-CASE

Internal Kit **Comments**

FD75-IK 78-On (28 Spline)

Ring & Pinion **Ratio**

FD75308 3.08 (37-12)
FD75345 3.45 (38-11)
FD75373† 3.73 (41-11)
FD75410† 4.10 (41-10)
FD75456† 4.56 (41-9)

†Ratios 3.73-4.56 require milled cross shaft FD75CS for Auburn Limited Slip Units Only

Differential **Comments**

542023 Auburn HP, 28 Spline
542048 Auburn Pro, 28 Spline
162C57A Detroit Locker, 28 Spline (75-09)
912A316 Detroit Truetrac, 28 Spline (75-09)

Application	Years	2WD/		Comments	Length	Studs	Spline	Side
		4WD	Axle Shaft					
Aerostar	86-97	2/4	ASE3TZ4234C		29-1/8"	5	28	R
Aerostar	86-97	2/4	ASE69Z4234A		32-1/4"	5	28	L
Bronco II	84-90	2/4	ASE4TZ4234A		27-11/16"	5	28	R
Bronco II	84-90	2/4	ASE3TZ4234C		29-1/8"	5	28	L
Mazda B-Series	98-09	2/4	ASF87Z4234AC		27-1/4"	5	28	R
Mazda B-Series	98-09	2/4	ASF87Z4234AD		30-1/4"	5	28	L
Ranger	90-94	2	ASE3TZ4324A		28"	5	28	R/L
Ranger	85-92	2	ASE3TZ4234B		26-1/4"	5	28	R
Ranger	85-92	2	ASE3TZ4234C		29-1/8"	5	28	L
Ranger	83-92	4	ASE3TZ4234B		26-1/4"	5	28	R
Ranger	83-92	4	ASE3TZ4234C		29-1/8"	5	28	L
Ranger	93-97	2/4	ASF37Z4234A		27-1/4"	5	28	R
Ranger	93-97	2/4	ASF37Z4234B		30-1/8"	5	28	L
Ranger	98-09	2/4	ASF87Z4234AC		27-1/4"	5	28	R
Ranger	98-09	2/4	ASF87Z4234AD		30-1/4"	5	28	L

LD Differential

Axle Product by Axle Size

Ford 8" Axle (10 Bolt Cover)

Rebuild Kit **Comments**

DRK-310 Standard Kit
 DRK-310MK Master Kit

Ring & Pinion **Ratio**

FD8300 3.00 (39-13)
 FD8325 3.25 (39-12)
 FD8340 3.40 (34-10)
 FD8355 3.55 (39-11)
 FD8380 3.80 (38-10)
 FD8411 4.11 (37-9)

Differential **Comments**

542059† Auburn Pro, 28 Spline
 5420115† Auburn Pro, 31 Spline
 187S13D Detroit Locker, 28 Spline (63-71)
 912A616 Detroit Truetrac, 28 Spline (63-71)

†Requires two LM102949-LM102910 Brgs.

LD Differential

Ford 8.8" IFS Axle

Rebuild Kit **Comments**

DRK-311 Standard Kit (97-16)
 DRK-311MK Master Kit (97-16)

Internal Kit **Comments**

FD88-IKIFS

Ring & Pinion **Ratio**

FD88331IFS 3.31
 FD88355IFS 3.55
 FD88373IFS 3.73

Differential **Comments**

187C147A Detroit Locker, 28 Spline (97-08)
 912A563 Detroit Truetrac, 28 Spline (97-08)

Axle Product by Axle Size

Ford 8.8" Solid Axle & IRS (10 Bolt Cover)

DRK-311 Kit Series

Refer to the vehicle index for proper kit selection

Internal Kit	Comments
FD88-IK	87-14 (31 Spline)

Ring & Pinion	Ratio
FD88308	3.08 (40-13)
FD88327	3.27 (36-11)
FD88331	3.31 (43-13)
FD88355	3.55 (39-11)
FD88373	3.73 (41-11)
FD88390	3.90 (43-11)
FD88410	4.10 (41-10)
FD88430	4.30 (43-10)
FD88456	4.56 (41-9)
FD88488	4.88 (39-8)

Differential

542079-AG1	Auburn HP, 28 Spline (79-15)
542025-AG1	Auburn HP, 31 Spline (83-15)
542080	Auburn Pro, 28 Spline (79-14)
542054	Auburn Pro, 31 Spline (83-14)
5420116	Auburn Pro, 33 Spline (83-14)
545001	Auburn ECTED, 28 Spline (78-14)
545002	Auburn ECTED, 31 Spline - Non-IRS (83-14)
545005	Auburn ECTED, 31 Spline - IRS (83-14)
19605-010	Eaton, 28 Spline (82-11)
19558-010	Eaton, 31 Spline (83-11)
19660-010	Eaton E-locker, 31 Spline (83-86)
187C147A	Detroit Locker, 28 Spline (82-11)
187C145A†	Detroit Locker, 31 Spline (86-11)
912A562	Detroit Truetrac, 28 Spline (82-11)
913A561†‡	Detroit Truetrac, 31 Spline (86-11)
FD88-CPK	OEM Limited Slip Clutch Pack Replacement Kit

† Fits 1987 & Later Models

‡ 2005 & Later Mustangs Require Axle Spacer Modification

2WD/

Truck Application	Years	4WD	Axle Shaft	Comments	Length	Studs	Spline	Side
Aerostar	86-97	2/4	ASE3TZ4234C		29-1/8"	5	28	R
Aerostar	86-97	2/4	ASE69Z4234A		32-1/4"	5	28	L
Bronco	83-86	2/4	ASE3TZ4234D		31-1/16"	5	31	R
Bronco	83-86	2/4	ASE3TZ4234E		33-3/16"	5	31	L
Bronco	87-96	2/4	ASE7TZ4234A		31-1/16"	5	31	R
Bronco	87-96	2/4	ASE7TZ4234B		33-3/16"	5	31	L
Expedition	97-02	2/4	ASF75Z4234AA	w/ 1.620" Brg. Surface	31-3/4"	5	31	R
Expedition	97-02	2/4	ASF75Z4234AB	w/ 1.620" Brg. Surface	33-3/8"	5	31	L
Expedition	97-02	2/4	ASF75Z4234KA	w/ 1.705" Brg. Surface	31-3/4"	5	31	R
Expedition	97-02	2/4	ASF75Z4234KB	w/ 1.705" Brg. Surface	33-3/8"	5	31	L
Expedition	2000	2/4	ASYL3Z4234BA		31-3/4"	5	31	R
Explorer	91-94	2/4	ASF1TZ4234A		27-3/4"	5	31	R
Explorer	91-94	2/4	ASF1TZ4234B		30-5/8"	5	31	L
Explorer	95-01	2/4	ASF5TZ4234A		27-5/8"	5	31	R
Explorer	95-01	2/4	ASF5TZ4234B		30-1/2"	5	31	L
Explorer Sport Trac	01-05	2/4	ASF5TZ4234A		27-5/8"	5	31	R
Explorer Sport Trac	01-05	2/4	ASF5TZ4234B		30-1/2"	5	31	L
Explorer Sport	02-03	2/4	ASF5TZ4234A		27-5/8"	5	31	R
Explorer Sport	02-03	2/4	ASF5TZ4234B		30-1/2"	5	31	L
Mazda B-Series	98-01	2/4	ASF87Z4234AC		27-1/4"	5	28	R
Mazda B-Series	98-01	2/4	ASF87Z4234AD		30-1/4"	5	28	L
Mazda Navajo	91-94	2/4	ASF1TZ4234A		27-3/4"	5	31	R
Mazda Navajo	91-94	2/4	ASF1TZ4234B		30-5/8"	5	31	L
Mountaineer	97-01	2/4	ASF5TZ4234A		27-5/8"	5	31	R
Mountaineer	97-01	2/4	ASF5TZ4234B		30-1/2"	5	31	L
Ranger	83-84	2	ASE3TZ4324A		28"	5	28	R/L
Ranger	85-92	2	ASE3TZ4234B		26-1/4"	5	28	R
Ranger	85-92	2	ASE3TZ4234C		29-1/8"	5	28	L
Ranger	83-92	4	ASE3TZ4234B		26-1/4"	5	28	R
Ranger	83-92	4	ASE3TZ4234C		29-1/8"	5	28	L

Axle Product by Axle Size

Ford 8.8" Solid Axle & IRS (10 Bolt Cover) Continued

2WD/

Truck Application	Years	4WD	Axle Shaft	Comments	Length	Studs	Spline	Side
Ranger	93-97	2/4	ASF37Z4234A		27-1/4"	5	28	R
Ranger	93-97	2/4	ASF37Z4234B		30-1/8"	5	28	L
Ranger	98-09	2/4	ASF87Z4234AC		27-1/4"	5	28	R
Ranger	98-09	2/4	ASF87Z4234AD		30-1/4"	5	28	L
Ranger	98-09	2/4	ASF87Z4234BA		27-1/4"	5	31	R
Ranger	98-09	2/4	ASF87Z4234BB		30-1/4"	5	31	L
Truck 1/2 Ton	83-86	2/4	ASE3TZ4234D		31-1/16"	5	31	R
Truck 1/2 Ton	83-86	2/4	ASE3TZ4234E		33-3/16"	5	31	L
Truck 1/2 Ton	87-96	2/4	ASE7TZ4234A		31-1/16"	5	31	R
Truck 1/2 Ton	87-96	2/4	ASE7TZ4234B		33-3/16"	5	31	L
Truck 1/2 Ton	97-04	2/4	ASF75Z4234AA	2004 Heritage	31-3/4"	5	31	R
Truck 1/2 Ton	97-04	2/4	ASF75Z4234AB	2004 Heritage	33-3/8"	5	31	L
Truck 1/2 Ton	00-04	2/4	ASYL3Z4234BA		31-3/4"	5	31	R
Truck 1/2 Ton	04-08	2/4	AS7L3Z4234A	2004 Non-Heritage	33-3/4"	5	31	R
Truck 1/2 Ton	04-08	2/4	AS7L3Z4234C	2004 Non-Heritage	35-7/16"	5	31	L
Truck 1/2 Ton	04-08	2/4	AS4L3Z4234A		33-3/4"	6	31	R
Truck 1/2 Ton	04-08	2/4	AS4L3Z4234AB		35-11/32"	6	31	L
Van 1/2 Ton	88-96	2	ASE7TZ4234A		31-1/16"	5	31	R
Van 1/2 Ton	88-96	2	ASE7UZ4234E		35-5/8"	5	31	L
Van 1/2 Ton	97-99	2	ASF75Z4234BA		31-1/16"	5	31	R
Van 1/2 Ton	97-99	2	ASF75Z4234BB		35-5/8"	5	31	L

Call for other applications or dimensions.

Axle Product by Axle Size

Ford 8.8" Solid Axle & IRS (10 Bolt Cover) Continued

Car Application	Years	2WD/		Comments	Length	Studs	Spline	Side
		4WD	Axle Shaft					
Capri	80-86	2	ASD9BZ4234C		29"	4	28	R/L
Capri	80-86	2	ASE3TZ4234C		29-1/8"	5	28	R/L
Cougar	86-88	2	ASE5SZ4234A		30"	4	28	R/L
Crown Victoria	92-95	2	ASF2AZ4234C	w/o ABS	31-3/4"	5	28	R/L
Crown Victoria	92-97	2	ASF2AZ4234B	w/ABS	31-3/4"	5	28	R/L
Crown Victoria	98-02	2	ASF8AZ4234DA	w/ABS	32-7/16"	5	28	R/L
Crown Victoria	03-06	2	AS3W1Z4234A		34-7/16"	5	28	R/L
Crown Victoria	03-10	2	AS6W1Z4234A		35-1/4"	5	31	R/L
Ford Full Size	79-89	2	ASD9AZ4234A		30-7/8"	5	28	R/L
Grand Marquis	92-95	2	ASF2AZ4234C	w/o ABS	31-3/4"	5	28	R/L
Grand Marquis	92-97	2	ASF2AZ4234B	w/ABS	31-3/4"	5	28	R/L
Grand Marquis	98-02	2	ASF8AZ4234DA	w/ABS	32-7/16"	5	28	R/L
Grand Marquis	03-05	2	AS3W1Z4234A		34-7/16"	5	28	R/L
Grand Marquis	05-10	2	AS6W1Z4234A		35-1/4"	5	31	R/L
Marauder	03-04	2	AS3W1Z4234A		34-7/16"	5	28	R/L
Mercury Full Size	79-89	2	ASD9AZ4234A		30-7/8"	5	28	R/L
Lincoln Mark VI	80-83	2	ASD9AZ4234A		30-7/8"	5	28	R/L
Lincoln Town Car	81-89	2	ASD9AZ4234A		30-7/8"	5	28	R/L
Lincoln Town Car	92-95	2	ASF2AZ4234C	w/o ABS	31-3/4"	5	28	R/L
Lincoln Town Car	92-97	2	ASF2AZ4234B	w/ABS	31-3/4"	5	28	R/L
Lincoln Town Car	98-02	2	ASF8AZ4234DA	w/ABS	32-7/16"	5	28	R/L
Lincoln Town Car	03-04	2	AS3W1Z4234A		34-7/16"	5	28	R/L
Lincoln Town Car	05-10	2	AS6W1Z4234A		35-1/4"	5	31	R/L
Mustang	79-93	2	ASD9BZ4234C		29"	4	28	R/L
Mustang	94-98	2	ASF4ZZ4234A	w/o ABS	29-15/16"	5	28	R/L
Mustang	94-98	2	ASF4ZZ4234B	w/ABS	29-15/16"	5	28	R/L
Mustang	99-04	2	ASXR3Z4234AA	Exc. Cobra	31-5/8"	5	28	R/L
Mustang	05-09	2	AS5R3Z4234A		32-3/4"	5	31	R
Mustang	05-09	2	AS5R3Z4234B		31-13/16"	5	31	L
Thunderbird	86-88	2	ASE5SZ4234A		30"	4	28	R/L
Thunderbird	87-88	2	ASE7SZ4234A	w/ABS	30"	4	28	R/L

Call for other applications or dimensions.

LD Differential

Axle Product by Axle Size

Ford 9"

Rebuild Kit	Comments
DRK-312	Standard Kit (57-70)
DRK-312MK	Master Kit (57-70)
DRK-313	Standard Kit (70-86)
DRK-313MK	Master Kit (70-86)
DRK-313C	with 3.062" Carrier Brgs. Standard Kit
DRK-313CMK	with 3.062" Carrier Brgs. Master Kit
DRK-313D	with 3.250" Carrier Brgs. Standard Kit
DRK-313DMK	with 3.250" Carrier Brgs. Master Kit
DRK-928SP	HRW Aftermarket Stock Pinion, 3.250" Carrier Brgs.
DRK-935SP	HRW Aftermarket Large Pinion, 3.250" Carrier Brgs.

Open Case	Comments
FD9-CASE	28 & 31 Spline, 2 and 4 Pinion

Internal Kit	Comments
FD9-IK31-2	2 Pinion, 31 Spline
FD9-IK31-4	4 Pinion, 31 Spline
FD9-IK28-2	2 Pinion, 28 Spline
FD9-IK28-4	4 Pinion, 28 Spline

Differential	Comments
542043	Auburn Pro (28 Spline)
542036	Auburn Pro (31 Spline)

Ring & Pinion	Ratio
FD9280	2.80 (42-15)
FD9286	2.86 (40-14)
FD9294	2.94 (47-16)
FD9300	3.00 (39-13)
FD9315	3.15 (41-13)
FD9325	3.25 (39-12)
FD9350	3.50 (35-10)
FD9355	3.55 (39-11)
FD9360	3.60 (36-10)
FD9370	3.70 (37-10)
FD9375	3.75 (45-12)
FD9382	3.82 (42-11)
FD9389	3.89 (35-9)
FD9400	4.00 (36-9)
FD9411	4.11 (37-9)
FD9422	4.22 (38-9)
FD9430	4.30 (43-10)
FD9433	4.33 (39-9)
FD9444	4.44 (40-9)
FD9456	4.56 (41-9)
FD9457	4.57 (32-7)
FD9463	4.63 (37-8)
FD9471	4.71 (33-7)
FD9486	4.86 (34-7)
FD9500	5.00 (35-7)
FD9514	5.14 (36-7)
FD9529	5.29 (37-7)
FD9543	5.43 (38-7)
FD9567	5.67 (34-6)
FD9583	5.83 (35-6)
FD9600	6.00 (36-6)
FD9620	6.20 (31-5)
FD9633	6.33 (38-6)
FD9650	6.50 (39-6)

Axle Product by Axle Size

Ford 9" Continued

Application	Years	2WD/		Comments	Length	Studs	Spline	Side
		4WD	Axle Shaft					
Bronco	66-75	2/4	AS5781L	w/ RW207CCRA Brg.	27-1 /4"	5	28	L
Bronco	66-75	2/4	AS5781R	w/ RW207CCRA Brg.	29-5 /8"	5	28	R
Bronco	66-75	2/4	AS5783L	w/ 514003 Brg.	26-15 /16"	5	28	L
Bronco	66-75	2/4	AS5783R	w/ 514003 Brg.	29-5 /16"	5	28	R
Bronco	74-75	2/4	AS5785L	w/ 514003 Brg.	27-1 /4"	5	28	L
Bronco	74-75	2/4	AS5785R	w/ 514003 Brg.	29-3 /4"	5	28	R
Bronco	76-77	2/4	AS5787L	w/ 514003 Brg.	27-1 /4"	5	28	L
Bronco	76-77	2/4	AS5787R	w/ 514003 Brg.	29-11 /16"	5	28	R
Fairlane	63	2/4	AS6070A		26"	5	31	L
Mustang	64-66	2/4	AS6070A		26"	5	31	L
Fairlane	63	2/4	AS6070B		30-1 /8"	5	31	R
Mustang	64-66	2/4	AS6070B		30-1 /8"	5	31	R
Mustang/Cougar	66-70	2/4	ASC90Z4234D		27-1 /8"	5	31	L
Mustang/Cougar	66-70	2/4	ASC90Z4234C		31-1 /4"	5	31	R
Mustang/Cougar	71-72	2/4	ASD1ZZ4234B		27-7 /8"	5	31	L
Mustang/Cougar	71-72	2/4	ASD1ZZ4234A		31-7 /8"	5	31	R
1/2 Ton Truck/Van	74-86	2/4	ASD6TZ4234A	w/ RW207CCRA Brg.	31-27 /32"	5	31	R/L
1/2 Ton Truck/Van	74-86	2/4	ASD6TZ4234A	w/ RW207CCRA Brg.	31-27 /32"	5	31	R/L

Call for other applications or dimensions.

Axle Product by Axle Size

Ford 9.75" Axle (12 Bolt Cover)

Rebuild Kit	Comments	Ring & Pinion	Ratio
DRK-316 Kit Series		FD975355	3.55 (39-11) Fits 97-2010
Refer to the vehicle index for proper kit selection		FD975373	3.73 (41-11) Fits 97-2010
		FD975410	4.10 (41-10) Fits 97-2010
Internal Kit	Comments	FD975430	4.30 (43-10) Fits 97-2010
FD975-IK	97-15	FD975456	4.56 (41-9) Fits 97-2010
		FD975488	4.88 (39-8) Fits 97-2010

Conversion Kits	Comments
DRK-316-CONVA	Standard Kit-Use when installing a later (2011-On) R/P into an earlier (2000-10) Housing
DRK-316-CONVB	Standard Kit-Use when installing an earlier (2000-10) R/P into an later (2011-On) Housing
DRK-316-CONVAMK	Master Kit-Use when installing a later (2011-On) R/P into an earlier (2000-10) Housing
DRK-316-CONVBMK	Master Kit-Use when installing an earlier (2000-10) R/P into an later (2011-On) Housing

Conversion Brgs.	Comments
KEST5195LFT	Pinion Brg. when installing a later (2011-On) R/P into an earlier (2000-10) Housing
JHM807045-HM807010	Pinion Brg. when installing an earlier (2000-10) R/P into an later (2011-On) Housing

Differential	Comments
542090	Auburn HP, 34 Spline (97-14)
225C194A	Detroit Locker, 34 Spline (97-12)
913A477	Detroit Truetrac, 34 Spline (97-12)

2WD/

Application	Years	4WD	Axle Shaft	Comments	Length	Studs	Spline	Side
Blackwood†	2002	2	ASYL1Z4234CA		31-3/4"	5	34	R
Blackwood†	2002	2	ASYL1Z4234CB		33-3/8"	5	34	L
Expedition‡	97-00	2/4	ASF75Z4234LA		31-3/4"	5	34	R
Expedition‡	97-00	2/4	ASF75Z4234LB		33-3/8"	5	34	L
Expedition†	00-02	2/4	ASYL1Z4234CA		31-3/4"	5	34	R
Expedition†	00-02	2/4	ASYL1Z4234CB		33-3/8"	5	34	L
Expedition†	04-08	2/4	AS6L3Z4234B		33-3/4"	6	34	R
Expedition†	04-08	2/4	AS6L3Z4234D		35-11/32"	6	34	L
Mark LT 1/2 Ton	06-08	2/4	AS7L3Z4234B		33-3/4"	6	34	R
Mark LT 1/2 Ton	06-08	2/4	AS7L3Z4234D		35-3/8"	6	34	L
Navigator‡	98-99	2/4	ASF75Z4234LA		31-3/4"	5	34	R
Navigator‡	98-99	2/4	ASF75Z4234LB		33-3/8"	5	34	L
Navigator†	99-02	2/4	ASYL1Z4234CA		31-3/4"	5	34	R
Navigator†	99-02	2/4	ASYL1Z4234CB		33-3/8"	5	34	L
Navigator†	04-08	2/4	AS6L3Z4234B		33-3/4"	6	34	R
Navigator†	04-08	2/4	AS6L3Z4234D		35-11/32"	6	34	L
Truck 1/2 Ton!	97-00	2/4	ASF75Z4234MA		31-3/4"	5	34	R
Truck 1/2 Ton!	97-00	2/4	ASF75Z4234MB		33-3/8"	5	34	L
Truck 1/2 Ton‡	1999	2/4	ASF75Z4234LA		31-3/4"	5	34	R
Truck 1/2 Ton‡	1999	2/4	ASF75Z4234LB		33-3/8"	5	34	L
Truck 1/2 Ton†	00-04	2/4	ASYL1Z4234CA		31-3/4"	5	34	R
Truck 1/2 Ton†	00-04	2/4	ASYL1Z4234CB		33-3/8"	5	34	L
Truck 1/2 Ton	04-08	2/4	AS7L3Z4234B		33-3/4"	6	34	R
Truck 1/2 Ton	04-08	2/4	AS7L3Z4234D		35-3/8"	6	34	L
Truck 1/2 Ton	09-14	2/4	AS9L3Z4234C		33-3/4"	6	34	R
Truck 1/2 Ton	09-14	2/4	AS9L3Z4234D		35-3/8"	6	34	L

† w/ 1.705" Wheel Brg. & .610" Wheel Stud Hole

‡ w/ 1.705" Wheel Brg. & .568" Wheel Stud Hole

! w/ 1.618" Wheel Brg.

Call for all other applications or dimensions.

Axle Product by Axle Size

Ford 10.25" Axle (12 Bolt Cover)

Rebuild Kit

DRK-314
DRK-314MK

Comments

Standard Kit (85-03)
Master Kit (85-03)

Open Case

FD1025-CASE

Ratio

83-99 (2 Pinion)

Internal Kit

FD1025-IK

Comments

83-99 (2 Pinion)

Ring & Pinion

FD10355
FD10355-A
FD10373
FD10373-A
FD10410
FD10410-A
FD10456
FD10456-A
FD10488-A

Ratio

3.55 (39-11) – fits 83-92
3.55 (39-11) – fits 93-99
3.73 (41-11) – fits 83-92
3.73 (41-11) – fits 93-99
4.10 (41-10) – fits 83-92
4.10 (41-10) – fits 93-99
4.56 (41-9) – fits 83-92
4.56 (41-9) – fits 93-99
4.88 (41-8) – fits 93-99

Differential

542089
19694-010†
225SL56A†
915A550†
8C3Z4026A

Comments

Auburn HP (83-14)
Eaton (85-12)
Detroit Locker (85-12)
Detroit Truetrac (85-12)
AAM Trac Loc

† Full-Float Style Axle Only

Axle Product by Axle Size

Ford 10.5" Axle (12 Bolt Cover)

Rebuild Kit

DRK-317	Standard Kit (99-07)
DRK-317MK	Master Kit (99-07)
DRK-317A	Standard Kit (08-10)
DRK-317AMK	Master Kit (08-10)
DRK-317B	Standard Kit (11-16)
DRK-317BMK	Master Kit (11-16)

Comments

Ring & Pinion

FD10355-A	3.55 (39-11)
FD10373-A	3.73 (41-11)
FD10410-A	4.10 (41-10)
FD10456-A	4.56 (41-9)
FD10488-A	4.88 (41-8)

Ratio

Above Ring & Pinion Sets are Aftermarket 10.25" sets that will work in place of OE 10.5" sets. When using these Ring & Pinion Sets, you will need to use the DRK-314AMK kit instead of DRK-317 kit.

Conversion Kits

DRK-314AMK	Conversion kit 10.5" R/P to 10.25" R/P
------------	--

Comments

Conversion Spacer Kit

F10.5-CONV	Includes Pinion Spacer and Pinion Washer
------------	--

Comments

Ring & Pinion

FD105355-37	3.55 fits 11-18 37 Spline
FD105373-37	3.73 fits 11-18 37 Spline
FD105411-37	4.11 fits 11-18 37 Spline
FD105430-37	4.30 fits 11-18 37 Spline
FD105456-37	4.56 fits 11-18 37 Spline
FD105489-37	4.89 fits 11-18 37 Spline

Ratio

Differential

542089	Auburn HP
19694-010†	Eaton
225SL56A†	Detroit Locker
915A550†	Detroit Truetrac
8C3Z4026B	AAM Trac Loc

Comments

† Full-Float Style Axle Only

Axle Product by Axle Size

GM 7.25" IFS Axle

Rebuild Kit **Comments**

DRK-320 Kit Series

Refer to the vehicle index for proper kit selection

Open Case **Ratio**

GM725-CASE

Internal Kit **Comments**

GM725-IK

Ring & Pinion **Ratio**

GM725308 3.08 (40-13)

GM725342 3.42 (41-12)

GM725373 3.73 (41-11)

Axle Product by Axle Size

GM 7.5"/7.6" Axle

Rebuild Kit

Comments

DRK-320 Kit Series

Refer to the vehicle index for proper kit selection

Open Case

Ratio

GM75-CASE 3.23 & higher 26 spline (89-04)
GM76-CASEL 3.08 & lower 28 spline (89-04)
GM76-CASEH 3.23 & higher 28 spline (89-04)

Internal Kit

Comments

GM75-IK 7.5" (89-Earlier, 26 Spline)
GM76-IK 7.6" (89-04, 28 Spline)

Ring & Pinion

Ratio

GM75273 2.73 (41-15)
GM75308 3.08 (40-13)
GM75323 3.23 (42-13)
GM75342 3.42 (41-12)
GM75373 3.73 (41-11)
GM75410 4.10 (41-10)
GM75456 4.56 (41-9)

Differential

Comments

542044 Auburn Pro 3.23 & Higher, 26 Spline (76-88)
542045 Auburn Pro 3.08 & Lower, 26 Spline (76-88)
542046 Auburn Pro 3.23 & Higher, 28 Spline (88-04)
542047 Auburn Pro 3.08 & Lower, 28 Spline (88-04)
542057 Auburn HP 3.23 & Higher, 26 Spline (76-88)
542058 Auburn HP 3.08 & Lower, 26 Spline (76-88)
542040 Auburn HP 3.23 & Higher, 28 Spline (88-04)
542041 Auburn HP 3.08 & Lower, 28 Spline (88-04)
19663-010 Eaton 3.23 & Higher, 26 Spline (76-88)
19599-010 Eaton 3.23 & Higher, 28 Spline (88-04)
40004010 AAM Trac-Rite Torsen Limited Slip
40004011 AAM Trac-Rite Torsen Limited Slip
162C58A Detroit Locker 3.23 & Higher, 26 Spline
162C59A Detroit Locker 3.23 & Higher, 28 Spline
911A415 Detroit Truetrac 3.08 & Lower, 26 Spline
911A319 Detroit Truetrac 3.23 & Higher, 26 Spline
912A317 Detroit Truetrac 3.23 & Higher, 28 Spline

2WD/

Application	Years	4WD	Axle Shaft	Comments	Length	Studs	Spline	Side
Astro Van	85-89	2	AS14074822		30-5/16"	5	26	R
Astro Van	85-89	2	AS14074821		34-3/4"	5	26	L
Astro Van	90-98	2/4	AS26011055		30-5/16"	5	28	R
Astro Van	90-98	2/4	AS26011054		34-13/16"	5	28	L
Astro Van	03-04	4	AS12479211		31"	6	28	R
Astro Van	03-04	4	AS12479210		35-1/2"	6	28	L

Axle Product by Axle Size

GM 7.5"/7.6" Axle Continued

Application	Years	2WD/		Comments	Length	Studs	Spline	Side
		4WD	Axle Shaft					
Astro Van	85-89	2	AS14074822		30-5/16"	5	26	R
Astro Van	85-89	2	AS14074821		34-3/4"	5	26	L
Astro Van	90-98	2/4	AS26011055		30-5/16"	5	28	R
Astro Van	90-98	2/4	AS26011054		34-13/16"	5	28	L
Astro Van	03-04	4	AS12479211		31"	6	28	R
Astro Van	03-04	4	AS12479210		35-1/2"	6	28	L
Bravada	93-96	4	AS26013882		29"	5	28	R/L
Bravada	91-93	4	AS26015260		29"	5	28	R/L
Camaro	90-92	2	AS26031252		30-5/16"	5	28	R/L
Camaro	93-97	2	AS26027588		32"	5	28	R/L
Camaro	97-02	2	AS26059972	ABS Tone Ring	32"	5	28	R/L
Firebird	90-92	2	AS26031252		30-5/16"	5	28	R/L
Firebird	93-97	2	AS26027588		32"	5	28	R/L
Firebird	97-02	2	AS26059972	ABS Tone Ring	32"	5	28	R/L
Jimmy	83-90	2	AS14030355		26-9/16"	5	26	R/L
Jimmy	88-97	2	AS26015759		26-5/8"	5	28	R/L
Jimmy	98-01	2	AS26058696		26-5/16"	5	28	R/L
Jimmy	83-89	4	AS14035368		29"	5	26	R/L
Jimmy	88-97	4	AS26013882		29"	5	28	R/L
Jimmy	91-93	4	AS26015260		29"	5	28	R/L
Jimmy	98-01	4	AS26050549		28-13/16"	5	28	R/L
S10/S15 Pick-Up	82-93	2	AS14030355		26-9/16"	5	26	R/L
S10/S15 Pick-Up	88-97	2	AS26015759		26-5/8"	5	28	R/L
S10 Pick-Up	98-03	2	AS26064388		26-5/8"	5	28	R/L
S10/S15 Pick-Up	83-89	4	AS14035368		29"	5	26	R/L
S10/S15 Pick-Up	88-97	4	AS26013882		29"	5	28	R/L
S10 Pick-Up	98-04	4	AS26050549		28-13/16"	5	28	R/L
S10 Blazer	83-90	2	AS14030355		26-9/16"	5	26	R/L
S10 Blazer	88-97	2	AS26015759		26-5/8"	5	28	R/L
S10 Blazer	98-05	2	AS26058696		26-5/16"	5	28	R/L
S10 Blazer	83-89	4	AS14035368		29"	5	26	R/L
S10 Blazer	88-97	4	AS26013882		29"	5	28	R/L
S10 Blazer	91-93	4	AS26015260		29"	5	28	R/L
S10 Blazer	98-05	4	AS26050549		28-13/16"	5	28	R/L
Safari Van	85-89	2	AS14074822		30-5/16"	5	26	R
Safari Van	85-89	2	AS14074821		34-3/4"	5	26	L
Safari Van	90-98	2/4	AS26011055		30-5/16"	5	28	R
Safari Van	90-98	2/4	AS26011054		34-13/16"	5	28	L
Safari Van	03-04	4	AS12479211		31"	6	28	R
Safari Van	03-04	4	AS12479210		35-1/2"	6	28	L
Sonoma	91-93	2	AS14030355		26-9/16"	5	26	R/L
Sonoma	91-97	2	AS26015759		26-5/8"	5	28	R/L
Sonoma	98-03	2	AS26064388		26-5/8"	5	28	R/L
Sonoma	91-97	4	AS26013882		29"	5	28	R/L
Sonoma	98-04	4	AS26050549		28-13/16"	5	28	R/L

LD Differential

Axle Product by Axle Size

GM 8" Axle

Rebuild Kit

DRK-320D
DRK-320DMK

Comments

Standard Kit
Master Kit

Open Case

GM8-CASE

Ratio

Internal Kit

GM8-IK

Comments

28 Spline

Ring & Pinion

GM8342
GM8373
GM8410

Ratio

3.42
3.73
4.10

Differential

912A654

Comments

Detroit True Trac 28 Spline (02-10)

LD Differential

Application	Years	2WD/		Comments	Length	Studs	Spline	Side
		4WD	Axle Shaft					
Bravada	02-04	4	AS12479017		31-1 /2"	6	28	R
Bravada	02-04	4	AS12479016		33-3 /8"	6	28	L
Canyon	04-12	4	AS12479337		30-3 /4"	6	28	L
Colorado	04-12	4	AS12479337		30-3 /4"	6	28	L
Envoy	02-08	4	AS12479017		31-1 /2"	6	28	R
Envoy	02-08	4	AS12479016		33-3 /8"	6	28	L
Rainer	04-07	4	AS12479017		31-1 /2"	6	28	R
Rainer	04-07	4	AS12479016		33-3 /8"	6	28	L
Trailblazer	02-08	4	AS12479017		31-1 /2"	6	28	R
Trailblazer	02-08	4	AS12479016		33-3 /8"	6	28	L

Axle Product by Axle Size

GM 8.2" Axle (10 Bolt Cover)

Rebuild Kit	Comments
DRK-321B	Standard Kit (64-72)
DRK-321BMK	Master Kit (64-72)
DRK-321G	Standard Kit (55-64)
DRK-321GMK	Master Kit (55-64)
DRK-321H	Standard Kit (64-71) Buick, Olds & Pontiac
DRK-321HMK	Master Kit (64-71) Buick, Olds & Pontiac

Ring & Pinion	Ratio
GM82308	3.08 (40-13)
GM82336	3.36 (37-11)
GM82355	3.55 (39-11)
GM82355-BOP	3.55 (39-11)
GM82373	3.73 (41-11)
GM82390-BOP	3.90 (39-10)
GM82410	4.10 (41-10)
GM82411-BOP	4.11 (37-9)
GM82456	4.56 (41-9)
GM82456-BOP	4.56 (41-9)
GM82488	4.88 (39-8)
GM82513	5.13 (41-8)

Differential	Comments
542061	Auburn Pro-Chevrolet 3.08 & Higher, 25 Spline (64-72)
542099	Auburn Pro-Buick, Olds, Pontiac 2.93-3.23, & Higher, 27 Spline (64-71)
542060	Auburn Pro-Buick, Olds, Pontiac 3.36 & Higher, 27 Spline (64-71)
5420108	Auburn HP-Chevrolet 3.08 & Higher, 25 Spline (64-72)
5420114	Auburn HP-Buick, Olds, Pontiac 2.93-3.23 & Higher, 27 Spline (64-71)
5420113	Auburn HP-Buick, Olds, Pontiac 3.36 & Higher, 27 Spline (64-71)
19674-010	Eaton Buick, Oldsmobile & Pontiac 3.36 & Higher
19603-010	Eaton Chevy 3.08 & Higher (64-72)
19686-010	Eaton Chevy 3.90 & Higher (55-64)

Application	Years	2WD/		Comments	Length	Studs	Spline	Side
		4WD	Axle Shaft					
Camaro	67-69	2WD	AS1255803		29-5 /8"	5	28	R/L
Camaro	70-81	2WD	AS1255802		30-1 /8"	5	28	R/L
Chevelle	65-67	2WD	AS1255803		29-5 /8"	5	28	R/L
Chevelle	68-72	2WD	AS1255802		30-1 /8"	5	28	R/L
El Camino	68-72	2WD	AS1255802		30-1 /8"	5	28	R/L
Nova	65-67	2WD	AS3863726		28-5 /8"	5	28	R/L
Nova	70-75	2WD	AS1255803		29-5 /8"	5	28	R/L

LD Differential

Axle Product by Axle Size

GM 8.25 IFS" Axle

Rebuild Kit

Comments

DRK-321 Kit Series

Refer to the vehicle index for proper kit selection

Open Case

Ratio

GM825-CASE

Internal Kit

Comments

GM825-IK

Ring & Pinion

Ratio

GM825342

3.42 (41-12)

GM825373

3.73 (41-11)

GM825410

4.10 (41-10)

GM825456

4.56 (41-9)

Axle Product by Axle Size

GM 8.5"/8.6" Axle (10 Bolt Cover)

Rebuild Kit

Comments

DRK-321 Kit Series

Refer to the vehicle index for proper kit selection

Open Case

Comments

GM85-Case

(98-Earlier)

GM85-CaseB†

(99-001/2) (Case Open Both Sides)

GM85-CASEC-LOAD

(001/2-14) (Case Closed One Side)

†GM85-CaseB is OBSOLETE -Replaced by GM85-CaseC but you must update internals to GM85-IKC.

Ring & Pinion

Ratio

Internal Kit

Comments

GM85308

3.08 (40-13)

GM85-IK28

(89-Earlier) (28 Spl.)

GM85308-V

3.08 (40-13)

GM85-IK30

(89-98) (30 Spl.)

GM85323

3.23 (42-13) 1986-96

GM85-IKB

(99-001/2) (30 Spl.)

GM85323-V

3.23 (42-13) 1986-96

GM85-IKC

(001/2-08) (30 Spl.)

GM85342

3.42 (41-12)

GM85-IKD

(09-14) (30 Spl.)

GM85355-V

3.55 (39-11)

GM85370

3.70 (37-10)

GM85373

3.73 (41-11)

GM85390

3.90 (39-10)

GM85390-V

3.90 (39-10)

GM85410

4.10 (41-10)

GM85411-V

4.11 (37-9)

GM85456

4.56 (41-9)

GM85488

4.88 (39-08)

GM85513

5.13 (41-08)

GM85538‡

5.38 (43-08)

GM85557‡

5.57 (39-07)

‡Requires a modified cross shaft for installation.

*V Are for Corvette only.

Differential

Comments

40135974

AAM Trac-Rite Torsen Limited Slip

542050

Auburn Pro 2.73 & Higher, 28 Spline (71-88)

542052

Auburn Pro 2.73 & Higher, 30 Spline (89-14)

542062

Auburn Pro-Corvette Only 2.41-3.70, 17 Spline (63-79)

542063

Auburn Pro-Corvette Only 4.10 & Higher, 17 Spline (63-79)

542018

Auburn HP 2.73 & Higher, 28 Spline (71-88)

542022

Auburn HP 2.73 & Higher, 30 Spline (89-98)

542097

Auburn HP 2.73 & Higher, 30 Spline (99-14)

19557-010

Eaton 2.73 & Higher, 28 Spline (71-89)

19559-010

Eaton 2.73 & Higher, 30 Spline (88-09)

19670-010

Eaton-Corvette Only 3.08-3.70 Ratios (63-79)

19659-010

Eaton E-Locker 2.73 & Higher, 30 Spline (88-09)

187C149A

Detroit Locker 2.73 & Higher, 28 Spline (72-89)

187C148A

Detroit Locker 2.73 & Higher, 30 Spline (88-09)

912A557

Detroit Truetrac-Front 2.73 & Lower, 28 Spline (77-88)

913A481

Detroit Truetrac 2.73 & Higher, 30 Spline (88-09)

Axle Product by Axle Size

GM 8.5"/8.6" Axle (10 Bolt Cover) **Continued**

Application	Years	2WD/		Comments	Length	Studs	Spline	Side
		4WD	Axle Shaft					
Avalanche	02-04	2/4	AS12471369	w/o active brake control	33-5/8"	6	30	R/L
Blazer	79-89	2	AS14035542		31-3/8"	5	28	R/L
Blazer	88-91	2	AS26010415		31-3/8"	5	30	R/L
Blazer	82-88	4	AS14039547		31-5/16"	6	28	R/L
Blazer	88-91	4	AS26010414	Non-IFS	31-5/16"	6	30	R/L
Blazer	92-94	2/4	AS26010416		33"	6	30	R/L
Caprice	91-96	2	AS26018080	w/Disc Brake	30-7/16"	5	30	R/L
Camaro	67-69	2	AS1255803		29-5/8"	5	28	R/L
Camaro	70-81	2	AS1255802		30-1/8"	5	28	R/L
Chevelle	65-67	2	AS1255803		29-5/8"	5	28	R/L
Chevelle	68-72	2	AS1255802		30-1/8"	5	28	R/L
Chevelle	63-77	2	AS1255801		30-7/16"	5	28	R/L
Denali	00	4	AS26010416		33"	6	30	R/L
El Camino	68-72	2	AS1255802		30-1/8"	5	28	R/L
El Camino	73-77	2	AS1255801		30-7/16"	5	28	R/L
Envoy	02-08	4	AS12479161		31-3/4"	6	30	R
Envoy	02-08	4	AS12479160		33-1/4"	6	30	L
Escalade	99-00	4	AS26010416		33"	6	30	R/L
Escalade	02	2/4	AS12471369		33-5/8"	6	30	R/L
Escalade EXT	02	2/4	AS12471369		33-5/8"	6	30	R/L
Jimmy	79-89	2	AS14035542		31-3/8"	5	28	R/L
Jimmy	88-91	2	AS26010415		31-3/8"	5	30	R/L
Jimmy	82-88	4	AS14039547		31-5/16"	6	28	R/L
Jimmy	88-91	4	AS26010414	Non-IFS	31-5/16"	6	30	R/L
Nova	70-75	2	AS1255803		29-5/8"	5	28	R/L
Ranier	04-07	4	AS12479161		31-3/4"	6	30	R
Ranier	04-07	4	AS12479160		33-1/4"	6	30	L
SSR	03-06	2	AS12479161		31-3/4"	6	30	R
SSR	03-06	2	AS12479160		33-1/4"	6	30	L
Suburban	78-88	2	AS14035542		31-3/8"	5	28	R/L
Suburban	88-91	2	AS26010415		31-3/8"	5	30	R/L
Suburban	92-99	2	AS26010417		31-13/16"	5	30	R/L
Suburban	81-88	4	AS14039547		31-5/16"	6	28	R/L
Suburban	88-91	4	AS26010414	Non-IFS	31-5/16"	6	30	R/L
Suburban	92-99	4	AS26010416		33"	6	30	R/L
Suburban	00-04	2/4	AS12471369	w/o active brake control	33-5/8"	6	30	R/L

LD Differential

Axle Product by Axle Size

GM 8.5"/8.6" Axle (10 Bolt Cover) **Continued**

Application	Years	2WD/		Comments	Length	Studs	Spline	Side
		4WD	Axle Shaft					
Tahoe	95-00	2	AS26010417	2000 Classic only	31-13/16"	5	30	R/L
Tahoe	95-00	4	AS26010416	2000 Classic only	33"	6	30	R/L
Tahoe	00-04	2/4	AS12471369		33-5/8"	6	30	R/L
Yukon	92-94	2/4	AS26010416		33"	6	30	R/L
Yukon	95-99	4	AS26010416		33"	6	30	R/L
Yukon	95-99	2	AS26010417		31-13/16"	5	30	R/L
Yukon	00	2/4	AS12471369	Exc. Denali	33-5/8"	6	30	R/L
Yukon	01-04	2/4	AS12471369	w/o active brake control	33-5/8"	6	30	R/L
Yukon XL	00-04	2/4	AS12471369	w/o active brake control	33-5/8"	6	30	R/L
Trailblazer	02-08	4	AS12479161		31-3/4"	6	30	R
Trailblazer	02-08	4	AS12479160		33-1/4"	6	30	L
Truck 1/2 Ton	78-87	2	AS14035542		31-3/8"	5	28	R/L
Truck 1/2 Ton	88-99	2	AS26010417	1999 Classic only	31-13/16"	5	30	R/L
Truck 1/2 Ton	88-99	4	AS26010416	1999 Classic only	33"	6	30	R/L
Truck 1/2 Ton	88	4	AS15521892	IFS; Standard Cab	33"	6	28	R/L
Truck 1/2 Ton	99-00	2/4	AS12471369		33-5/8"	6	30	R/L
Truck 1/2 Ton	01-02	2/4	AS12471369	Exc.01-02 Crew Cab 4x4	33-5/8"	6	30	R/L
Truck 1/2 Ton	03-04	2/4	AS12471369	w/o active brake control	33-5/8"	6	30	R/L
Truck 1/2 Ton	81-87	4	AS14039547		31-5/16"	6	28	R/L
Van 1/2 Ton	75-88	2	AS14042690		33-5/16"	5	28	R/L
Van 1/2 Ton	88-95	2	AS26013313		33-5/16"	5	30	R/L
Van 1/2 Ton	96-02	2	AS26042818		33-1/4"	5	30	R/L
Van 1/2 Ton	03-10	2	AS12479175	w/o active brake control	34-1/2"	5	30	R/L
Van 3/4 Ton	75-88	2	AS14042690		33-5/16"	5	28	R/L
Van 3/4 Ton	88-95	2	AS26013313		33-5/16"	5	30	R/L

Call for all other applications or dimensions.

Axle Product by Axle Size

GM 8.875" Axle (12 Bolt Cover) Car

Rebuild Kit Comments

DRK-323A Standard Kit
DRK-323AMK Master Kit

Internal Kit Comments

GM12-1K

<u>Ring & Pinion</u>	<u>Ratio</u>	<u>Differential</u>	<u>Comments</u>
GM12308-C	3.08 (40-13)	542031	Auburn Pro 4.10 & Higher, 30 Spline (64-72)
GM12342-C	3.42 (41-12)	5420117	Auburn Pro 4.10 & Higher, 33 Spline (64-72)!
GM12355-C	3.55 (39-11)	5420104	Auburn HP 4.10 & Higher, 30 Spline (64-72)
GM12373-C	3.73 (41-11)	19554-010	Eaton 3.08-3.90, 30 Spline
GM12373-XC*	3.73 (41-11)	19555-010	Eaton 4.10 & Higher, 30 Spline
GM12390-C	3.90 (39-10)	187C197A	Detroit Locker 3.08-3.90, 30 Spline
GM12410-C	4.10 (41-10)	187C198A	Detroit Locker 3.08-3.90, 33 Spline
GM12410-XC**	4.10 (41-10)	187S196A	Detroit Locker 3.08-3.90, 35 Spline w/ 3.25" bearing
GM12430-C	4.30 (43-10)	913A555	Detroit Truetrac 3.08-3.90, 33 Spline
GM12433-C	4.33 (39-9)	914A576	Detroit Truetrac 3.08-3.90, 35 Spline
GM12456-C	4.56 (41-9)	914A575	Detroit Truetrac 4.10 & Higher, 33 Spline
GM12456-XC**	4.56 (41-9)	!Fits axles with 45 degree pressure angle.	
GM12488-C	4.88 (39-8)		
GM12488-XC**	4.88 (39-8)		
GM12514-C	5.14 (36-7)		
GM12538-C	5.38 (43-8)		
GM12557-C	5.57 (39-7)		
GM12586-C	5.86 (41-7)		
GM12614-C	6.14 (43-7)		

*Fits 3.90 ratio and numerically higher carrier

**Fits 3.07-3.73 ratio carrier

<u>Application</u>	<u>Years</u>	<u>2WD/</u>		<u>Comments</u>	<u>Length</u>	<u>Studs</u>	<u>Spline</u>	<u>Side</u>
		<u>4WD</u>	<u>Axle Shaft</u>					
Camaro	67-69	2	AS3969349		29-9 /16"	5	30	R/L
Camaro	70-72	2	AS3969285		30-1 /16"	5	30	R/L
Chevelle	65-67	2	AS3969349		29-9 /16"	5	30	R/L
Chevelle	68-72	2	AS3969285		30-1 /16"	5	30	R/L
Chevy II	68-72	2	AS3969349		29-9 /16"	5	30	R/L
El Camino	68-72	2	AS3969285		30-1 /16"	5	30	R/L

LD Differential

Axle Product by Axle Size

GM 8.875" Axle (12 Bolt Cover) Truck

<u>Rebuild Kit</u>	<u>Comments</u>
DRK-322	Standard Kit
DRK-322MK	Master Kit

<u>Internal Kit</u>	<u>Comments</u>
GM12-1K	

<u>Ring & Pinion</u>	<u>Ratio</u>
GM12308	3.08 (40-13)
GM12342	3.42 (41-12)
GM12373	3.73 (41-11)
GM12410	4.10 (41-10)
GM12456	4.56 (41-9)
GM12488	4.88 (39-8)
GM12513**	5.13 (41-8)
GM12538**	5.38 (43-8)

**Requires a modified cross shaft

<u>Differential</u>	<u>Comments</u>
542034	Auburn Pro 2.76-3.42, 30 Spline (64-82)
542032	Auburn Pro 3.73 & Higher, 30 Spline (64-82)
5420107	Auburn HP 2.76-3.42, 30 Spline (64-82)
5420105	Auburn HP 3.73 & Higher, 30 Spline (64-82)
19587-010	Eaton 2.76-3.42, 30 Spline
19556-010	Eaton 3.73 & Higher, 30 Spline
187C150A	Detroit Locker 3.73 & Higher, 30 Spline
916A315	Detroit Truetrac 3.73 & Higher, 30 Spline

<u>Application</u>	<u>Years</u>	<u>2WD/</u>		<u>Comments</u>	<u>Length</u>	<u>Studs</u>	<u>Spline</u>	<u>Side</u>
		<u>4WD</u>	<u>Axle Shaft</u>					
Truck	65-69	2/4	AS3893605		30-3/4"	5/6	30	R/L
Truck	65-69	2/4	AS5855	6 Lug to 5 Lug Conversion	30-3/4"	5	30	R/L
Truck	70-81	2	AS14071751		31-5/16"	5	30	R/L
Truck	70-81	4	AS14071750		31-9/132"	6	30	R/L

Axle Product by Axle Size

GM 9.25" IFS Axle

Rebuild Kit	Comments
DRK-324A	Standard Kit (88-97)
DRK-324AMK	Master Kit (88-97)
DRK-324C	Standard Kit (98-10)
DRK-324CMK	Master Kit (98-10)
DRK-324D	Standard Kit (11-16)
DRK-324DMK	Master Kit (11-16)

Open Case	Ratio
GM95-CASE	1988-13

Internal Kit	Comments
GM95-IK	1988-15

Ring & Pinion	Ratio
GM925342	3.42 (41-12)
GM925373	3.73 (41-11)
GM925410	4.10 (41-10)
GM925456	4.56 (41-9)

GM 9.3" "C" Axle

Rebuild Kit	Comments
DRK-329	Standard Kit
DRK-329MK	Master Kit

Ring & Pinion	Ratio
GM93410	4.10 (41-10)
GM93456	4.56 (41-9)
GM93488	4.88 (39-8)

Axle Product by Axle Size

GM 9.5" Axle (14 Bolt Cover)

<u>Rebuild Kit</u>	<u>Comments</u>
DRK-324	Standard Kit (81-97)
DRK-324MK	Master Kit (81-97)
DRK-324B	Standard Kit (98-13)
DRK-324BMK	Master Kit (98-13)

<u>Open Case</u>	<u>Ratio</u>
GM95-CASE-LOAD	

<u>Internal Kit</u>	<u>Comments</u>
GM95-IK	1988-13

<u>Ring & Pinion</u>	<u>Ratio</u>
GM95342	3.42 (41-12) 1988-13
GM95373	3.73 (41-11) 1988-13
GM95410	4.10 (41-10) 1988-13
GM95456	4.56 (41-9) 1988-13

<u>Differential</u>	<u>Comments</u>
542087	Auburn HP 33 Spline (81-13)
19590-010	Eaton 33 Spline (81-09)
19684-010	Eaton E-Locker 33 Spline (81-09)
225C135A	Detroit Locker 33 Spline (81-09)
914A538	Detroit Truetrac 33 Spline (81-09)

2WD/

Application	Years	4WD	Axle Shaft	Comments	Length	Studs	Spline	Side
Suburban	81-96	2/4	AS14035395	Semi-float style	32-9/16"	8	33	R/L
Suburban	92-99	2/4	AS15522070	Semi-float style	31-13/16"	8	33	R/L
Truck 1/2 Ton	88-99	4	AS15521928	1999 Classic models only	33-1/8"	6	33	R/L
Truck 3/4 Ton	88-98	2	AS15522068		31-9/16"	6	33	R/L
Truck 3/4 Ton	88-95	4	AS15521928		33-1/8"	6	33	R/L
Truck 3/4 Ton	81-96	2/4	AS14035395	Semi-float style	32-9/16"	8	33	R/L
Truck 3/4 Ton	89-00	2/4	AS15522070	Semi-float style	31-13/16"	8	33	R/L
Truck 1 Ton	88-89	2/4	AS15522070	Semi-float style	31-13/16"	8	33	R/L
Van 1 Ton	86-96	2	AS14035395	Semi-floating, Exc. Van	32-9/16"	8	33	R/L

Call for all other applications or dimensions.

Axle Product by Axle Size

GM 9.5" Axle (12 Bolt Cover, 2014-On)

Rebuild Kit

DRK-324E
DRK-324EMK

Comments

Standard Kit (14-16)
Master Kit (14-16)

Open Case

GM976-CASE-LOAD
GM976-CASEB-LOAD

Ratio

3.23 and Lower
3.42 and Higher

Ring & Pinion

GM95K2308
GM95K2342
GM95K2410

Ratio

3.08
3.42
4.10

2WD/

Application	Years	4WD	Axle Shaft	Comments	Length	Studs	Spline	Side
Truck 1/2 Ton	14-15	2/4	AS40103091					R/L
Suburban,Tahoe,Yukon,Escalade	14-15	2/4	AS40103092					R/L

Call for all other applications or dimensions.

GM 9.76" Axle (12 Bolt Cover, 2014-On)

Rebuild Kit

DRK-324H
DRK-324HMK

Comments

Standard Kit (14-16)
Master Kit (14-16)

Open Case

GM976-CASE-LOAD
GM976-CASEB-LOAD

Ratio

3.23 and Lower
3.42 and Higher

Ring & Pinion

GM976323
GM976342
GM976373

Ratio

3.23
3.42
3.73

2WD/

Application	Years	4WD	Axle Shaft	Comments	Length	Studs	Spline	Side
Truck 1/2 Ton	14-15	2/4	AS40103091					R/L
Suburban,Tahoe,Yukon,Escalade	14-15	2/4	AS40103092					R/L

Axle Product by Axle Size

GM 10.5" Axle (14 Bolt Cover)

Rebuild Kit	Comments
DRK-325	Standard Kit (72-88) 1st design
DRK-325MK	Master Kit (72-88) 1st design
DRK-325A	Standard Kit (88-97) 2nd design
DRK-325AMK	Master Kit (88-97) 2nd design
DRK-325B	Standard Kit (98-16)
DRK-325BMK	Master Kit (98-16)

Open Case	Ratio
GM105-CASEL	4.10 & Lower Ratios
GM105-CASE	4.56 & Higher Ratios

Internal Kit	Comments
GM105-IK	

Ring & Pinion	Ratio
GM105342	3.42 (41-12)
GM105373	3.73 (41-11)
GM105410	4.10 (41-10)
GM105456	4.56 (41-9)
GM105456X†	4.56 (41-9)
GM105488	4.88 (39-8)
GM105488X†	4.88 (39-8)

†Fits 4.10 and down case.

Differential	Comments
19689-010	Eaton 4.10 & Lower, 30 Spline (72-11)
19610-010	Eaton 4.56 & Higher, 30 Spline (73-09)

2WD/

Application	Years	4WD	Axle Shaft	Comments	Length	Studs	Spline	Side
Truck 3/4 Ton	73-89	2/4	AS3977384	Full-float style	37-9/16"	8	30	R
Truck 3/4 Ton	73-00	2/4	AS3977383	Full-float style	31-11/16"	8	30	L
Truck 1 Ton	73-91	2/4	AS3977384	Full-float style	37-9/16"	8	30	R
Truck 1 Ton	73-91	2/4	AS3977383	Full-float style	31-11/16"	8	30	L
Suburban	73-91	2/4	AS3977384	Full-float style	37-9/16"	8	30	R
Suburban	73-91	2/4	AS3977383	Full-float style	31-11/16"	8	30	L
Van 1 Ton	93-96	2/4	AS3977384	Full-float , Exc. Van	37-9/16"	8	30	R
Van 1 Ton	93-96	2/4	AS3977383	Full-float , Exc. Van	31-11/16"	8	30	L

Call for all other applications or dimensions.

Axle Product by Axle Size

GM 11.5" Axle (14 Bolt Cover)

Rebuild Kit

Comments

DRK-327	Standard Kit (01-11)
DRK-327MK	Master Kit (01-11)
DRK-327A	Standard Kit (11-16)
DRK-327AMK	Master Kit (11-16)

Open Case

Ratio

GM115-CASE-LOAD	3.73, 4.10 & 4.63 Gear Ratios
-----------------	-------------------------------

Ring & Pinion

Ratio

GM115342	3.42
GM115373	3.73 (41-11)
GM115410	4.10 (41-10)
GM115444	4.44
GM115456	4.56
GM115463	4.63 (37-8)
GM115513	5.13

Differential

Comments

250SL195A	Detroit Locker 30 Spline (01-12)
915A568	Detroit Truetrac 30 Spline (01-12)
40025134	AAM Trac-Rite Torsen Limited Slip

2WD/

Application	Years	4WD	Axle Shaft	Comments	Length	Studs	Spline	Side
Truck 3/4 Ton	01-02	2/4	AS40003202	Semi-float style	39-3 /4"	8	30	R/L
Truck 3/4 Ton	01-10	2/4	AS40003201	Full-float style	35-1 /2"	8	30	R/L
Truck 1 Ton	14-18	2/4	AS40097464	Full-float style	Narrow Track	8	30	R/L
Truck 1 Ton	14-18	2/4	AS40086785	Full-float style	Wide Track	8	30	R/L
Truck 1 Ton	08-13	2/4	AS40042351	Full-float style	DRW	8	30	R/L
Truck 1 Ton	08-13	2/4	AS40042353	Full-float style	913 MM	8	30	R/L
Truck 1 Ton	11-13	2/4	AS40051861	Full-float style	947 MM	8	30	R/L
Truck 1 Ton	11-13	2/4	AS40051863	Full-float style	1023 MM	8	30	R/L
Truck 1 Ton	11-13	2/4	AS40051859	Full-float style	932 MM	8	30	R/L
Truck 1 Ton	01-02	2/4	AS40003202	Verify axle length	39-3 /4"	8	30	R/L
Truck 1 Ton	04-10	2/4	AS40003201	Verify axle length	35-1 /2"	8	30	R/L
Truck 1 Ton	01-02	2/4	AS40003204	Verify axle length	35-3 /4"	8	30	R/L

Axle Product by Axle Size

Dodge Sprinter

Rebuild Kit

DRK-307A	Standard Kit (07-13)
DRK-307AMK	Master Kit (07-13)
DRK-307	Standard Kit (March 2004-06)
DRK-307MK	Master Kit (March 2004-06)
DRK-307B	Standard Kit (03-Feb. 2004)
DRK-307BMK	Master Kit (03-Feb. 2004)

Comments

Open Case

Sprinter-CaseLoaded	Case with Internal Kit (01-06)
---------------------	--------------------------------

Comments

Internal Kit

Sprinter-IK	Internal Kit (01-06)
-------------	----------------------

Comments

Ring & Pinion

Sprinter-373	3.73 (01-06)
--------------	--------------

Ratio

Center Support Bearings

HB5104574	Center Support Bearings (01-06)
HB68088	Center Support Bearings (07-10) Must also use HB68088K for 3 piece driveshafts
HB68088K	Center Support Bearings (07-10) Boot Kit for 3 piece driveshafts

Comments

Axle Product by Axle Size

Toyota 7.5" Axle (8 Bolt Cover)

Rebuild Kit

Front Axle

DRK-350
DRK-350MK
DRK-350A
DRK-350AMK

Comments

Standard Kit (86-88 IFS Front Axle)
Master Kit (86-88 IFS Front Axle)
Standard Kit (88-95 IFS Front Axle)
Master Kit (88-95 IFS Front Axle)

Rear Axle

DRK-350
DRK-350MK

Comments

Standard Kit (79-95) 4 Cyl. Non Turbo 2WD
Master Kit (79-95) 4 Cyl. Non Turbo 2WD

Ring & Pinion

T75410
T75456
T75488
T75529

Ratio

4.10 (41-10)
4.56 (41-9)
4.88 (39-8)
5.29 (37-7)

Differential

911A445
911A342
911A445

Comments

Detroit Truetrac 86-88 Pick-Up
Detroit Truetrac 89-04 Pick-up
Detroit Truetrac 86-04 4Runner

Toyota 8" Axle (8 Bolt Cover)

Rebuild Kit

DRK-351
DRK-351MK
DRK-352
DRK-352MK
DRK-353
DRK-353MK
DRK-354A
DRK-354AMK

Comments

Standard Kit (84-85)
Master Kit (84-85)
Standard Kit (86-95 4 Cyl. Turbo and V6)
Master Kit (86-95 4 Cyl. Turbo and V6)
Standard Kit (86-95 4 Cyl. 4WD)
Master Kit (86-95 4 Cyl. 4WD)
Standard Kit (96-02 w/locking diff)
Master Kit (96-02 w/locking diff)

Internal Kit

TOY8-IK

Comments

Ring & Pinion

TOY411
TOY488
TOY529
TOY571

Ratio

4.11 (37-9)
4.88 (39-8)
5.29 (37-7)
5.71 (40-7)

Differential

187SL61A
187SL61B
913A611
913A610

Comments

Detroit Locker, 74-86 2 Pinion Non-Turbo
Detroit Locker, 86-96 4 Pinion
Detroit Truetrac, 74-96 2 Pinion non-Turbo
Detroit Truetrac, 86-96 4 Pinion

Light Duty Transmission Applications

Year	Engine	Speed	Model#	Notes	Kit	w/Synchro Rings
AMC/Eagle						
All Car Models (82 & Earlier)						
85-82	All	5	T5		TRK-5	TRK-5WS
84-82	All	4	T4		TRK-4J	TRK-4JWS
82-78	All	4	SR4		TRK-BWSR4J	TRK-BWSR4JWS
81-76	All	4	SR4		TRK-BWSR4	TRK-BWSR4WS
79-74	All	3	T150		TRK-150A	TRK-150AWS
78-67	All	3	T86		TRK-BW86JA	Obsolete
78-67	All	3w/OD	T86		TRK-BW86JB	Obsolete
76-68	All	3	T14		TRK-BW14	TRK-BW14WS
76-68	All	3w/OD	T14		TRK-BW14A	TRK-BW14AWS
74-65	All	4	T10		TRK-10W	TRK-10WWS
72-68	All	3	T15		TRK-BW15	TRK-BW15WS
72-68	All	3w/OD	T15		TRK-BW15A	TRK-BW15AWS
72-67	199	3	T96		TRK-BW96A	TRK-BW96AWS
72-67	199	3w/OD	T96		TRK-BW96B	TRK-BW96BWS
72-67	232	3	T96		TRK-BW96C	TRK-BW96CWS
72-67	232	3w/OD	T96		TRK-BW96D	TRK-BW96DWS
Summit						
96-95	1.8L	5	F5M22/KM206		TRK-FM150	TRK-FM150WS1
96-94	2.4L	5	F5M31	Taper Diff Brg.	TRK-FM360	TRK-FM360WS
96-94	2.4L	5	W5M33/KM201	4WD	TRK-FM160	TRK-FM160WS1
96-93	1.5L	5	F5M21/KM201	3-4 Synchro Rings 36 Teeth	TRK-FM100	TRK-FM100WS2
94-89	1.8L	5	F5M22/KM206	Taper Diff Brg.	TRK-FM150	TRK-FM150WS
93-92	2.4L	5	W5M33/KM201	4WD	TRK-FM160	TRK-FM160WS
92-89	1.5L	5	F5M21/KM201	3-4 Synchro Rings 30 Teeth	TRK-FM100	TRK-FM100WS
90-89	1.6L	5	F5M22/KM206	Taper Diff Brg.	TRK-FM150	TRK-FM150WS
1993	2.4L	5	F5M31	Taper Diff Brg.	TRK-FM360	TRK-FM360WS1
1992	1.5L	4	F4M21/KM200	Ball Diff Brg.	TRK-FM100	TRK-FM100WS1
Talon						
98-95	2.0L	5	F5MC1/NVT350/A578	3 Pc. 1-2 Synchro Rings.	TRK-350	TRK-350WS
98-94	2.0L Turbo	5	F5M33	FWD, Brass 1-2 Synchro Rings, Synchro Rev.	TRK-FM180	TRK-FM180WS4
98-93	2.0L Turbo	5	W5M33	4WD, 39 Teeth 3-4 Synchro Rings	TRK-FM160	TRK-FM160WS3
98-90	2.0L Turbo		KM272	Transfer Case Section Only	TRK-FM350	N/A
94-93	1.8L, 2.0L	5	F5M22	FWD, 3-4 Synchro Rings, 36 Teeth, Synchro Rev.	TRK-FM150	TRK-FM150WS2
5/93-6/93	2.0L Turbo	5	W5M33	4WD, 24 Teeth 3-4 Synchro Rings	TRK-FM160	TRK-FM160WS2
93-90	2.0L Turbo	5	F5M33	Fiber Lined 1-2 Synchro Rings, Synchro Rev.	TRK-FM180	TRK-FM180WS
92-90	1.8L	5	F5M22	3-4 Synchro Rings 30 Teeth	TRK-FM150	TRK-FM150WS
92-90	2.0L	5	F5M22	3-4 Synchro Rings 30 Teeth, Synchro Rev.	TRK-FM150	TRK-FM150WS1
4/91-5/91	2.0L Turbo	5	W5M33	4WD, Fiber Lined Rings	TRK-FM160	TRK-FM160WS
Acura						
2.2CL						
1997	2.2L	5	S2A4		TRK-FH180	TRK-FH180WS
2.3CL						
99-98	2.3L	5	S2A8		TRK-FH180	TRK-FH180WS1
3.2CL						
2003	3.2L	6	YZC6		TRK-FH410	N/A
Integra						
01-98	1.8L V-Tech	5	Y80, S80	Ball Diff Brg.	TRK-FH400	TRK-FH400WS
01-94	1.8L	5	Y80, S80	Ball Diff Brg.	TRK-FH260	TRK-FH260WS
98-94	1.8L V-Tech	5	Y80, S80	Taper Diff Brg.	TRK-FH220	TRK-FH220WS
93-92	1.7L V-Tech	5	YS1	3 Pc. 2nd Synchro Ring	TRK-FH260	TRK-FH260WS1

Light Duty Transmission Applications

Year	Engine	Speed	Model#	Notes	Kit	w/Synchro Rings
Acura (cont.)						
Integra (cont.)						
93-92	1.8L	5	SSO		TRK-FH260	TRK-FH260WS
93-92	1.8L	5	YS1		TRK-FH260	TRK-FH260WS
1991	1.8L	5	A1		TRK-FH280	TRK-FH280WS1
1990	1.8L	5	S1		TRK-FH280	TRK-FH280WS
89-86	1.6L	5	CG		TRK-FH120	TRK-FH120WS
Legend						
95-93	3.2L	6	K4F6		TRK-FH230	TRK-FH230WS
95-91	3.2L	5	K4A6		TRK-FH230	TRK-FH230WS
90-89	2.7L	5	G3T4		TRK-FH190	TRK-FH190WS
88-86	2.7L	5	C3P4		TRK-FH190	TRK-FH190WS
RSX						
05-02	2.0L	5	W2M5		TRK-FH420	N/A
05-02	2.0L	6	X2M5		TRK-FH420	N/A
Buick						
All Car Models (82 & Earlier)						
85-66	All	3	Saginaw		TRK-301	TRK-301WS1
82-81	All	5	T5	Cylindrical C/S Brgs.	TRK-5	TRK-5WS
1982	All	4	T4		TRK-5	TRK-5WS1
82-80	All	4	MR2		TRK-FG110	Obsolete
82-74	All	4	T10W	6307 I/S Brg., 1" C/S	TRK-10WA	TRK-10WAWS
82-74	All	4	T10W	6307 I/S Brg., 1" C/S, Max-Type Ball Brgs.	TRK-10WAHD	TRK-10WAHDWS
82-66	All	4	Saginaw		TRK-301	TRK-301WS
74-68	All	3	Tremec		TRK-150F	TRK-150FWS
74-66	All	4	M21	1" Countershaft	TRK-297A	TRK-297AWS
74-66	All	4	M21	1" Countershaft and Max-Type Brgs.	TRK-297AHD	TRK-297AHDWS
73-66	All	4	T10W	6307 I/S Brg., 7/8" C/S, w/o Thrust Brg. Between 2nd & 3rd Gears	TRK-10W	TRK-10WWS
72-66	All	3w/OD	Saginaw		TRK-301A	TRK-301AWS
71-67	All	4	M22	1" Countershaft	TRK-297A	TRK-297AWS
71-67	All	4	M22	1" Countershaft and Max-Type Brgs.	TRK-297AHD	TRK-297AHDWS
66-62	All	4	T10	6307 I/S Brg., 7/8" C/S, w/ Thrust Brg. Between 2nd & 3rd Gears	TRK-10E	TRK-10EWS
66-57	All	4	T10	6207 I/S Brg.	TRK-10A	TRK-10AWS
65-63	All	4	M20	7/8" Countershaft	TRK-297	TRK-297WS
65-63	All	4	M20	7/8" Countershaft and Max-Type Brgs.	TRK-297HD	TRK-297HDWS
63-62	All	4	M20	6207 I/S Brg.	TRK-297B	TRK-297BWS
Skyhawk						
89-88	2.0L	5	76mm Isuzu	3 Pc. 1-2 Synchro Rings	TRK-FI120	TRK-FI120WS1
87-83	1.8L	4	MR2		TRK-FG110	Obsolete
87-83	2.0L	5	76mm Isuzu		TRK-FI120	TRK-FI120WS
Skylark						
87-86	All	5	76mm Isuzu		TRK-FI120	TRK-FI120WS
85-83	All	4	MR2		TRK-FG110	Obsolete
Somerset						
87-86	All	5	76mm Isuzu		TRK-FI120	TRK-FI120WS
Cadillac						
ATS						
19-16	3.6L Turbo	6	TR-6060		TRK-6060	TRK-6060WS

LD Transmission

Light Duty Transmission Applications

Year	Engine	Speed	Model#	Notes	Kit	w/Synchro Rings
Cadillac (cont.)						
All Car Models (82 & Earlier)						
85-66	All	3	Saginaw		TRK-301	TRK-301WS1
82-81	All	5	T5	Cylindrical C/S Brgs.	TRK-5	TRK-5WS
1982	All	4	T4		TRK-5	TRK-5WS1
82-80	All	4	MR2		TRK-FG110	Obsolete
82-74	All	4	T10W	6307 I/S Brg., 1" C/S	TRK-10WA	TRK-10WAWS
82-74	All	4	T10W	6307 I/S Brg., 1" C/S, Max-Type Ball Brgs.	TRK-10WAHD	TRK-10WAHDWS
82-66	All	4	Saginaw		TRK-301	TRK-301WS
74-68	All	3	Tremec		TRK-150F	TRK-150FWS
74-66	All	4	M21	1" Countershaft	TRK-297A	TRK-297AWS
74-66	All	4	M21	1" Countershaft and Max-Type Brgs.	TRK-297AHD	TRK-297AHDWS
73-66	All	4	T10W	6307 I/S Brg., 7/8" C/S, w/o Thrust Brg. Between 2nd & 3rd Gears	TRK-10W	TRK-10WWS
72-66	All	3w/OD	Saginaw		TRK-301A	TRK-301AWS
71-67	All	4	M22	1" Countershaft	TRK-297A	TRK-297AWS
71-67	All	4	M22	1" Countershaft and Max-Type Brgs.	TRK-297AHD	TRK-297AHDWS
68-55	All	3w/OD	319		TRK-G110	N/A
66-62	All	4	T10	6307 I/S Brg., 7/8" C/S, w/ Thrust Brg. Between 2nd & 3rd Gears	TRK-10E	TRK-10EWS
66-57	All	4	T10	6207 I/S Brg.	TRK-10A	TRK-10AWS
65-63	All	4	M20	7/8" Countershaft	TRK-297	TRK-297WS
65-63	All	4	M20	7/8" Countershaft and Max-Type Brgs.	TRK-297HD	TRK-297HDWS
63-62	All	4	M20	6207 I/S Brg.	TRK-297B	TRK-297BWS
54-40	All	3	Muncie 318		TRK-G100	N/A
Cimarron						
88-87	2.8L	5	NVT550/HM282		TRK-550	TRK-550WS
86-85	2.0L	4	MR2		TRK-FG110	Obsolete
86-83	2.0L	5	76mm Isuzu		TRK-FI120	TRK-FI120WS
CTS						
15-07	6.2L	6	TR-6060		TRK-6060	TRK-6060WS
06-04	6.0L	6	T56		TRK-56	TRK-56WS1
Chevrolet						
All Car Models (82 & Earlier)						
85-66	All	3	Saginaw		TRK-301	TRK-301WS1
82-81	All	5	T5	Cylindrical C/S Brgs.	TRK-5	TRK-5WS
1982	All	4	T4		TRK-5	TRK-5WS1
82-80	All	4	MR2		TRK-FG110	Obsolete
82-74	All	4	T10W	6307 I/S Brg., 1" C/S	TRK-10WA	TRK-10WAWS
82-74	All	4	T10W	6307 I/S Brg., 1" C/S, Max-Type Ball Brgs.	TRK-10WAHD	TRK-10WAHDWS
82-66	All	4	Saginaw		TRK-301	TRK-301WS
74-68	All	3	Tremec		TRK-150F	TRK-150FWS
74-66	All	4	M21	1" Countershaft	TRK-297A	TRK-297AWS
74-66	All	4	M21	1" Countershaft and Max-Type Brgs.	TRK-297AHD	TRK-297AHDWS
73-66	All	4	T10W	6307 I/S Brg., 7/8" C/S, w/o Thrust Brg. Between 2nd & 3rd Gears	TRK-10W	TRK-10WWS
72-66	All	3w/OD	Saginaw		TRK-301A	TRK-301AWS
71-67	All	4	M22	1" Countershaft	TRK-297A	TRK-297AWS
71-67	All	4	M22	1" Countershaft and Max-Type Brgs.	TRK-297AHD	TRK-297AHDWS

LD Transmission

Light Duty Transmission Applications

Year	Engine	Speed	Model#	Notes	Kit	w/Synchro Rings
Chevrolet (cont.)						
All Car Models (82 & Earlier) (cont.)						
68-55	All	3w/OD	319		TRK-G110	N/A
66-62	All	4	T10	6307 I/S Brg., 7/8" C/S, w/ Thrust Brg. Between 2nd & 3rd Gears	TRK-10E	TRK-10EWS
66-57	All	4	T10	6207 I/S Brg.	TRK-10A	TRK-10AWS
65-63	All	4	M20	7/8" Countershaft	TRK-297	TRK-297WS
65-63	All	4	M20	7/8" Countershaft and Max-Type Brgs.	TRK-297HD	TRK-297HDWS
63-62	All	4	M20	6207 I/S Brg.	TRK-297B	TRK-297BWS
54-40	All	3	Muncie 318		TRK-G100	N/A
Astro						
89-85	2.5L	5	T5 World Class	Taper C/S Brgs.	TRK-5W	TRK-5WWS
Beretta						
96-88	2.0L, 2.2L	5	76mm Isuzu	3 Pc. 1-2 Synchro Rings	TRK-FI120	TRK-FI120WS1
93-87	2.8L, 3.1L	5	NVT550/HM282		TRK-550	TRK-550WS
1987	2.0L	5	76mm Isuzu		TRK-FI120	TRK-FI120WS
Blazer (Full Size)						
1994	5.7L	5	HM290/MG5/NV3500	Standard I/S & O/S Brgs. Includes M/S Needle Brgs.	TRK-235BN1	TRK-235BN1WS
94-92	5.7L	5	HM290/MG5/NV3500	Standard I/S & O/S Brgs.	TRK-235B	TRK-235BWS
93-92	5.7L	5	HM290/MG5/NV3500	Standard I/S & O/S Brgs. Includes M/S Needle Brgs.	TRK-235BN	TRK-235BNWS
91-90	All	4	SM465	211FFLE I/S Brg.	TRK-157B	TRK-157BWS
90-79	All	4	SM465	Contains R1563TAV Front C/S Brg.	TRK-157L	TRK-157LWS
90-68	All	4	SM465	Contains M1305GGTV & R1563TAV Front C/S Brg.	TRK-157A	TRK-157AWS
90-68	All	4	SM465	w/ Small Parts Kit, Keys, & Spring	TRK-157ASPK	TRK-157ASPKWS
87-81	All	4	NP833		TRK-833	TRK-833WS
81-77	All	3	Saginaw		TRK-301	TRK-301WS1
Blazer (S10 Size)						
05-96	4.3L	5	HM290/MG5/NV3500	Standard I/S & O/S Brgs. 3 Pc. 1-2 Synchro Rings & 1.18 ID C/S Brgs	TRK-235B	TRK-235BWS1
05-96	4.3L	5	NV3500	Standard I/S & O/S Brgs. 3 Pc. 1-2 Synchro Rings & 1.30 ID C/S Brgs	TRK-235E	TRK-235EWS
03-96	2.2L	5	NV1500	6306 I/S Brg.	TRK-1500GM	TRK-1500GMWS
96-95	4.3L	5	HM290/MG5/NV3500	Standard I/S & O/S Brgs. Includes M/S Needle Brgs.	TRK-235BN2	TRK-235BN2WS
1995	4.3L	5	HM290/MG5/NV3500	Standard I/S & O/S Brgs. 3 Pc. 1-2 Synchro Rings	TRK-235B	TRK-235BWS1
1994	4.3L	5	HM290/MG5/NV3500	Standard I/S & O/S Brgs. Includes M/S Needle Brgs.	TRK-235BN1	TRK-235BN1WS
94-91	4.3L	5	HM290/MG5/NV3500	Standard I/S & O/S Brgs.	TRK-235B	TRK-235BWS
93-91	4.3L	5	HM290/MG5/NV3500	Standard I/S & O/S Brgs. Includes M/S Needle Brgs.	TRK-235BN	TRK-235BNWS
91-90	4.3L	5	HM290/MG5	3 Pc. I/S & Standard Ball O/S Brgs	TRK-235A	TRK-235AWS
91-90	4.3L	5	HM290/MG5	3 Pc. I/S & Standard Ball O/S Brgs Includes M/S Needle Brgs.	TRK-235AN	TRK-235ANWS
90-88	2.8L	5	T5 World Class	Taper C/S Brgs.	TRK-5W	TRK-5WWS
87-85	2.0L	4	T4	Taper I/S & O/S Brgs.	TRK-5	TRK-5WS1
87-83	2.8L	5	T5	Cylindrical C/S Brgs.	TRK-5	TRK-5WS
85-83	1.9L	4	S101		TRK-FI240	TRK-FI240WS
84-83	2.0L	4	T4C	Ball I/S & O/S Brgs.	TRK-4C	TRK-4CWS

Light Duty Transmission Applications

Year	Engine	Speed	Model#	Notes	Kit	w/Synchro Rings
Chevrolet (cont.)						
Camaro						
19-10	6.2L	6	TR-6060		TRK-6060	TRK-6060WS
02-93	3.4L, 3.8L	5	T5 World Class	Taper C/S Brgs.	TRK-5W	TRK-5WWS
02-93	5.7L	6	T56		TRK-56	TRK-56WS
92-88	5.0L, 5.7L	5	T5 World Class	Taper C/S Brgs.	TRK-5W	TRK-5WWS
87-83	5.0L	5	T5	Cylindrical C/S Brgs.	TRK-5	TRK-5WS
84-83	2.5L	4	Saginaw		TRK-301	TRK-301WS
Cavalier						
04-00	2.2L, 2.4L	5			Obsolete	Obsolete
99-95	2.2L, 2.3L	5	76mm Isuzu		TRK-FI210	TRK-FI210WS2
94-88	2.0L	5	76mm Isuzu	3 Pc. 1-2 Synchro Rings	TRK-FI120	TRK-FI120WS1
94-84	2.8L, 3.1L	5	NVT550/HM282		TRK-550	TRK-550WS
87-83	1.8L	4	MR2		TRK-FG110	Obsolete
87-83	2.0L	5	76mm Isuzu		TRK-FI120	TRK-FI120WS
Celebrity						
88-87	2.8L	5	NVT550/HM282		TRK-550	TRK-550WS
Chevette						
87-83	1.8L	5	T5	DC51932 Front C/S Brg.	TRK-5A	TRK-5AWS
87-76	1.6L	4	70mm		TRK-G120	TRK-G120WS
86-83	Diesel	5	MSG-5K		TRK-FI110	TRK-FI110WS
Citation						
85-83	2.5L	4	MR2		TRK-FG110	Obsolete
Corsica						
93-88	2.0L	5	76mm Isuzu	3 Pc. 1-2 Synchro Rings	TRK-FI120	TRK-FI120WS1
92-87	2.8L, 3.1L	5	NVT550/HM282		TRK-550	TRK-550WS
1987	2.0L	5	76mm Isuzu		TRK-FI120	TRK-FI120WS
Corvette						
13-08	6.2L, 7.0L	6	TR-6060		TRK-6060	TRK-6060WS
04-97	5.7L	6	T56	3 Pc. 1-6 Synchro Ring	TRK-56A	TRK-56AWS
96-89	5.7L	6	S6-40		N/A	N/A
87-84	5.7L	4	T10		TRK-10WB	TRK-10WBWS
84-83	5.7L	4	Saginaw		TRK-301	TRK-301WS
LUV						
1982	All	5	MSG-5ET	4WD	TRK-FI100	TRK-FI100WS
82-81	All	4	MSG-4ET	4WD	TRK-FI180	TRK-FI180WS
82-81	All	5	MSG-5K		TRK-FI110	TRK-FI110WS
82-76	All	4	MSG-4K		TRK-FI140	TRK-FI140WS
80-76	All	4	MSG-4ET	4WD	TRK-FI150	TRK-FI150WS
75-71	All	4	MSG-4E		TRK-FI230	TRK-FI230WS
Metro						
01-89	1.0L	5	MV3		TRK-FS110	TRK-FS110WS
Nova						
88-85	1.6L	5	C51		TRK-FT270	TRK-FT270WS
Prizm						
02-88	1.8L DOHC	5	C51		TRK-FT320	TRK-FT320WS3
S10 Pickup						
03-96	4.3L	5	HM290/MG5/NV3500	Standard I/S & O/S Brgs. 3 Pc. 1-2 Synchro Rings & 1.18 ID C/S Brgs	TRK-235B	TRK-235BWS1
03-96	4.3L	5	NV3500	Standard I/S & O/S Brgs. 3 Pc. 1-2 Synchro Rings & 1.30 ID C/S Brgs	TRK-235E	TRK-235EWS
03-96	2.2L	5	NV1500	6306 I/S Brg.	TRK-1500GM	TRK-1500GMWS
96-95	4.3L	5	HM290/MG5/NV3500	Standard I/S & O/S Brgs. Includes M/S Needle Brgs.	TRK-235BN2	TRK-235BN2WS
1995	4.3L	5	HM290/MG5/NV3500	Standard I/S & O/S Brgs. 3 Pc. 1-2 Synchro Rings	TRK-235B	TRK-235BWS1

Light Duty Transmission Applications

Year	Engine	Speed	Model#	Notes	Kit	w/Synchro Rings
Chevrolet (cont.)						
S10 Pickup (cont.)						
95-88	All	5	T5 World Class	Taper C/S Brgs.	TRK-5W	TRK-5WWS
1994	4.3L	5	HM290/MG5/NV3500	Standard I/S & O/S Brgs. Includes M/S Needle Brgs.	TRK-235BN1	TRK-235BN1WS
94-91	4.3L	5	HM290/MG5/NV3500	Standard I/S & O/S Brgs.	TRK-235B	TRK-235BWS
93-91	4.3L	5	HM290/MG5/NV3500	Standard I/S & O/S Brgs. Includes M/S Needle Brgs.	TRK-235BN	TRK-235BNWS
91-90	4.3L	5	HM290/MG5	3 Pc. I/S & Standard Ball O/S Brgs	TRK-235A	TRK-235AWS
91-90	4.3L	5	HM290/MG5	3 Pc. I/S & Standard Ball O/S Brgs Includes M/S Needle Brgs.	TRK-235AN	TRK-235ANWS
87-85	2.0L	4	T4	Taper I/S & O/S Brgs.	TRK-5	TRK-5WS1
87-82	2.8L	5	T5	Cylindrical C/S Brgs.	TRK-5	TRK-5WS
85-82	1.9L	4	S101		TRK-FI240	TRK-FI240WS
84-82	2.0L	4	T4C	Ball I/S & O/S Brgs.	TRK-4C	TRK-4CWS
Spectrum						
1988	1.5L	5	76mm Isuzu	3 Pc. 1-2 Synchro Rings	TRK-FI120	TRK-FI120WS1
87-85	1.5L	5	76mm Isuzu		TRK-FI120	TRK-FI120WS
SS						
17-15	6.2L	6	TR-6060		TRK-6060	TRK-6060WS
SSR						
06-05	6.0L	6	T56		TRK-56	TRK-56WS1
Suburban						
1990	All	4	SM465	211FFLE I/S Brg.	TRK-157B	TRK-157BWS
90-83	All	4	SM465	N1211-L I/S Brg.	TRK-157L	TRK-157LWS
90-68	All	4	SM465	Contains M1305GGTV & R1563TAV Front C/S Brg.	TRK-157A	TRK-157AWS
90-68	All	4	SM465	w/ Small Parts Kit, Keys, & Spring	TRK-157ASPK	TRK-157ASPKWS
72-67	All	4	NP435	Ball I/S Brg.	TRK-127G	TRK-127GWS
72-67	All	4	NP435	Taper I/S Brg.	TRK-127SPK	TRK-127WS
Tahoe						
96-95	5.7L	5	HM290/MG5/NV3500		TRK-235B	TRK-235BWS1
96-95	5.7L	5	HM290/MG5/NV3500	Includes M/S Needle Brgs.	TRK-235BN2	TRK-235BN2WS
Tracker						
04-98	2.0L	5	All		TRK-FS150	TRK-FS150WS
Trucks, Vans & SUV's (82 & Earlier)						
86-80	All	4	NP833		TRK-833	TRK-833WS
84-70	All	5	NP542		TRK-29	N/A
82-79	All	5	Clark 280HD	Taper I/S Brg.	TRK-190	N/A
82-76	All	5	Clark 390		TRK-390G	N/A
82-68	All	5	Clark 280		TRK-148	N/A
82-66	All	3	Saginaw		TRK-301	TRK-301WS1
82-65	All	3	Tremec		TRK-150F	TRK-150FWS1
78-60	All	5	NP540		TRK-27	N/A
75-68	All	5	Clark 320		TRK-132	N/A
75-68	All	5	Clark 380		TRK-133	N/A
74-68	All	3	SM330		TRK-G140	Obsolete
69-60	All	5	Clark 300		TRK-48	N/A
69-60	All	5	NP541		TRK-29	N/A
68-55	All	3	318		TRK-G110	N/A
68-55	All	3w/OD	319		TRK-G110	N/A
67-60	All	5	Clark 260		TRK-23	N/A
67-48	All	4	SM420		TRK-G160	N/A
54-40	All	3	318		TRK-G100	N/A
54-40	All	3w/OD	319		TRK-G110	N/A
47-40	All	4	185		TRK-G150	N/A

LD Transmission

Light Duty Transmission Applications

Year	Engine	Speed	Model#	Notes	Kit	w/Synchro Rings
Chevrolet (cont.)						
Truck 1/2 Ton						
07-96	All	5	NV3500	Standard I/S & O/S Brgs. 3 Pc. 1-2 TRK-235E Synchro Rings & 1.30 ID C/S Brgs		TRK-235EWS
07-96	All	5	HM290/MG5/NV3500	Standard I/S & O/S Brgs. 3 Pc. 1-2 TRK-235B Synchro Rings & 1.18 ID C/S Brgs		TRK-235BWS1
98-97	All	5	NV4500	Includes M/S Needles & Small Parts Kit	TRK-4500GM1N1SPK	TRK-4500GM1N1SPKWS
98-97	All	5	NV4500	Includes M/S Needle Brgs.	TRK-4500GM1N1	TRK-4500GM1N1WS
98-96	All	5	NV4500	Includes Small Parts Kit	TRK-4500GM1SPK	TRK-4500GM1SPKWS
98-96	All	5	NV4500		TRK-4500GM1	TRK-4500GM1WS
1996	All	5	NV4500	Includes M/S Needles & Small Parts Kit	TRK-4500GM1NSPK	TRK-4500GM1NSPKWS
1996	All	5	NV4500	Includes M/S Needle Brgs.	TRK-4500GM1N	TRK-4500GM1NWS
96-95	All	5	HM290/MG5/NV3500	Standard I/S & O/S Brgs. Includes M/S Needle Brgs.	TRK-235BN2	TRK-235BN2WS
1995	All	5	HM290/MG5/NV3500	Standard I/S & O/S Brgs.	TRK-235B	TRK-235BWS1
95-92	All	5	NV4500	Includes M/S Needle Brgs.	TRK-4500GMSPK	TRK-4500GMSPKWS
95-92	All	5	NV4500	Includes M/S Needle Brgs.	TRK-4500GMNSPK	TRK-4500GMNSPKWS
95-92	All	5	NV4500	Includes M/S Needle Brgs.	TRK-4500GMN	TRK-4500GMNWS
95-92	All	5	NV4500		TRK-4500GM	TRK-4500GMWS
1994	All	5	HM290/MG5/NV3500	Standard I/S & O/S Brgs. Includes M/S Needle Brgs.	TRK-235BN1	TRK-235BN1WS
94-91	All	5	HM290/MG5/NV3500	3 Pc. I/S & Standard Ball O/S Brgs	TRK-235B	TRK-235BWS
93-91	All	5	HM290/MG5/NV3500	Includes M/S Needle Brgs.	TRK-235BN	TRK-235BNWS
91-90	All	4	SM465	211FFLE I/S Brg.	TRK-157B	TRK-157BWS
91-90	All	5	HM290/MG5/NV3500	3 Pc. I/S & Standard Ball O/S Brgs Includes M/S Needle Brgs.	TRK-235AN	TRK-235ANWS
91-90	All	5	HM290/MG5/NV3500	3 Pc. I/S & O/S Brgs. Includes M/S Needle Brgs.	TRK-235A	TRK-235AWS
90-79	All	4	SM465	Contains R1563TAV Front C/S Brg.	TRK-157L	TRK-157LWS
90-68	All	4	SM465		TRK-157A	TRK-157AWS
90-68	All	4	SM465	Contains M1305GGTV & R1563TAV Front C/S Brg.	TRK-157ASP	TRK-157ASPWS
89-88	All	5	HM290/MG5/NV3500	3 Pc. I/S & O/S Brgs.	TRK-235N	TRK-235NWS
89-88	All	5	HM290/MG5/NV3500	Contains R1563TAV Front C/S Brg. & 211FFLE I/S Brg.	TRK-235	TRK-235WS
87-82	All	4	NP833		TRK-833	TRK-833WS
87-77	All	3	Saginaw		TRK-301	TRK-301WS1
72-67	All	4	NP435	Includes M/S Needle Brgs.; Taper I/S Brg.	TRK-127SPK	TRK-127WS
72-67	All	4	NP435	Ball I/S Brg.	TRK-127G	TRK-127GWS
Truck 3/4 Ton						
07-01	All	6	S6-650	4WD	TRK-S6-650ZFC	TRK-S6-650ZFCWS
07-01	All	6	S6-650	4WD, Includes M/S Needle Brgs.	TRK-S6-650ZFCN	TRK-S6-650ZFCNWS
07-01	All	6	S6-650	2WD	TRK-S6-650ZFA	TRK-S6-650ZFAWS
07-01	All	6	S6-650	2WD, Includes M/S Needle Brgs.	TRK-S6-650ZFAN	TRK-S6-650ZFANWS
07-97	All	5	NV4500	Includes M/S Needle Brgs.	TRK-4500GM1N1	TRK-4500GM1N1WS
07-97	All	5	NV4500	Includes M/S Needles & Small Parts Kit	TRK-4500GM1N1SPK	TRK-4500GM1N1SPKWS
07-96	All	5	NV4500		TRK-4500GM1	TRK-4500GM1WS
07-96	All	5	NV4500	Includes Small Parts Kit	TRK-4500GM1SPK	TRK-4500GM1SPKWS
98-96	All	5	NV3500	Standard I/S & O/S Brgs. 3 Pc. 1-2 TRK-235E Synchro Rings & 1.30 ID C/S Brgs		TRK-235EWS
98-96	All	5	HM290/MG5/NV3500	Standard I/S & O/S Brgs. 3 Pc. 1-2 TRK-235B Synchro Rings & 1.18 ID C/S Brgs		TRK-235BWS1

Light Duty Transmission Applications



Year	Engine	Speed	Model#	Notes	Kit	w/Synchro Rings
Chevrolet (cont.)						
Truck 3/4 Ton (cont.)						
1996	All	5	NV4500	Includes M/S Needle Brgs.	TRK-4500GM1N	TRK-4500GM1NWS
1996	All	5	NV4500	Includes M/S Needles & Small Parts Kit	TRK-4500GM1NSPK	TRK-4500GM1NSPKWS
96-95	All	5	HM290/MG5/NV3500	Standard I/S & O/S Brgs. Includes M/S Needle Brgs.	TRK-235BN2	TRK-235BN2WS
1995	All	5	HM290/MG5/NV3500	Standard I/S & O/S Brgs.	TRK-235B	TRK-235BWS1
95-91	All	5	NV4500		TRK-4500GM	TRK-4500GMWS
95-91	All	5	NV4500	Includes M/S Needle Brgs.	TRK-4500GMN	TRK-4500GMNWS
95-91	All	5	NV4500	Includes M/S Needle Brgs.	TRK-4500GMNSPK	TRK-4500GMNSPKWS
95-91	All	5	NV4500	Includes M/S Needle Brgs.	TRK-4500GMSPK	TRK-4500GMSPKWS
1994	All	5	HM290/MG5/NV3500	Standard I/S & O/S Brgs. Includes M/S Needle Brgs.	TRK-235BN1	TRK-235BN1WS
94-91	All	5	HM290/MG5/NV3500	3 Pc. I/S & Standard Ball O/S Brgs	TRK-235B	TRK-235BWS
93-91	All	5	HM290/MG5/NV3500	Includes M/S Needle Brgs.	TRK-235BN	TRK-235BNWS
91-90	All	4	SM465	211FFLE I/S Brg.	TRK-157B	TRK-157BWS
91-90	All	5	HM290/MG5/NV3500	3 Pc. I/S & Standard Ball O/S Brgs Includes M/S Needle Brgs.	TRK-235AN	TRK-235ANWS
91-90	All	5	HM290/MG5/NV3500	3 Pc. I/S & O/S Brgs. Includes M/S Needle Brgs.	TRK-235A	TRK-235AWS
90-79	All	4	SM465	Contains R1563TAV Front C/S Brg.	TRK-157L	TRK-157LWS
90-68	All	4	SM465		TRK-157A	TRK-157AWS
90-68	All	4	SM465	Contains M1305GGTV & R1563TAV Front C/S Brg.	TRK-157ASP	TRK-157ASPWS
89-88	All	5	HM290/MG5/NV3500	3 Pc. I/S & O/S Brgs.	TRK-235N	TRK-235NWS
89-88	All	5	HM290/MG5/NV3500	Contains R1563TAV Front C/S Brg. & 211FFLE I/S Brg.	TRK-235	TRK-235WS
87-82	All	4	NP833		TRK-833	TRK-833WS
87-77	All	3	Saginaw		TRK-301	TRK-301WS1
72-67	All	4	NP435	Taper I/S Brg.	TRK-127SPK	TRK-127WS
72-67	All	4	NP435	Ball I/S Brg.	TRK-127G	TRK-127GWS
Truck 1 Ton						
07-01	All	6	S6-650	4WD	TRK-S6-650ZFC	TRK-S6-650ZFCWS
07-01	All	6	S6-650	4WD, Includes M/S Needle Brgs.	TRK-S6-650ZFCN	TRK-S6-650ZFCNWS
07-01	All	6	S6-650	2WD	TRK-S6-650ZFA	TRK-S6-650ZFAWS
07-01	All	6	S6-650	2WD, Includes M/S Needle Brgs.	TRK-S6-650ZFAN	TRK-S6-650ZFANWS
07-97	All	5	NV4500	Includes M/S Needle Brgs.	TRK-4500GM1N1	TRK-4500GM1N1WS
07-97	All	5	NV4500	Includes M/S Needles & Small Parts Kit	TRK-4500GM1N1SPK	TRK-4500GM1N1SPKWS
07-96	All	5	NV4500		TRK-4500GM1	TRK-4500GM1WS
07-96	All	5	NV4500	Includes Small Parts Kit	TRK-4500GM1SPK	TRK-4500GM1SPKWS
1996	All	5	NV4500	Includes M/S Needle Brgs.	TRK-4500GM1N	TRK-4500GM1NWS
1996	All	5	NV4500	Includes M/S Needles & Small Parts Kit	TRK-4500GM1NSPK	TRK-4500GM1NSPKWS
95-91	All	5	NV4500		TRK-4500GM	TRK-4500GMWS
95-91	All	5	NV4500	Includes M/S Needle Brgs.	TRK-4500GMN	TRK-4500GMNWS
95-91	All	5	NV4500	Includes M/S Needle Brgs.	TRK-4500GMNSPK	TRK-4500GMNSPKWS
95-91	All	5	NV4500	Includes M/S Needle Brgs.	TRK-4500GMSPK	TRK-4500GMSPKWS
91-90	All	4	SM465	211FFLE I/S Brg.	TRK-157B	TRK-157BWS
90-79	All	4	SM465	Contains R1563TAV Front C/S Brg.	TRK-157L	TRK-157LWS
90-68	All	4	SM465		TRK-157A	TRK-157AWS
90-68	All	4	SM465	Contains M1305GGTV & R1563TAV Front C/S Brg.	TRK-157ASP	TRK-157ASPWS
72-67	All	4	NP435	Taper I/S Brg.	TRK-127	TRK-127WS

LD Transmission

Light Duty Transmission Applications

Year	Engine	Speed	Model#	Notes	Kit	w/Synchro Rings
Chevrolet (cont.)						
Truck 1 Ton (cont.)						
72-67	All	4	NP435	Ball I/S Brg.	TRK-127G	TRK-127GWS
Van 1/2 Ton						
87-79	All	4	SM465	Contains R1563TAV Front C/S Brg.	TRK-157L	TRK-157LWS
87-71	All	4	SM465		TRK-157A	TRK-157AWS
87-71	All	4	SM465	Contains M1305GGTV & R1563TAV Front C/S Brg.	TRK-157ASPK	TRK-157ASPKWS
72-67	All	4	NP435	Taper I/S Brg.	TRK-127	TRK-127WS
72-67	All	4	NP435	Ball I/S Brg.	TRK-127G	TRK-127GWS
Van 3/4 Ton						
87-79	All	4	SM465	Contains R1563TAV Front C/S Brg.	TRK-157L	TRK-157LWS
87-71	All	4	SM465		TRK-157A	TRK-157AWS
87-71	All	4	SM465	Contains M1305GGTV & R1563TAV Front C/S Brg.	TRK-157ASPK	TRK-157ASPKWS
72-67	All	4	NP435	Taper I/S Brg.	TRK-127	TRK-127WS
72-67	All	4	NP435	Ball I/S Brg.	TRK-127G	TRK-127GWS
Van 1 Ton						
87-79	All	4	SM465	Contains R1563TAV Front C/S Brg.	TRK-157L	TRK-157LWS
87-71	All	4	SM465		TRK-157A	TRK-157AWS
87-71	All	4	SM465	Contains M1305GGTV & R1563TAV Front C/S Brg.	TRK-157ASPK	TRK-157ASPKWS
72-67	All	4	NP435	Taper I/S Brg.	TRK-127SPK	TRK-127WS
72-67	All	4	NP435	Ball I/S Brg.	TRK-127G	TRK-127GWS
Chrysler						
All Car Models (82 & Earlier)						
82-81	All	4	NP460	1-4 Synchro Rings Same Size	TRK-465	TRK-465WS2
80-75	All	4	NP833		TRK-833B	TRK-833BWS
80-70	All	3	NP230	35x80x21 I/S & O/S Brgs.	TRK-NP100	TRK-NP100WS
80-70	All	3	NP230	35x90x21 I/S & O/S Brgs.	TRK-NP100A	TRK-NP100AWS
76-74	All	3	390		TRK-150A	TRK-150AWS
74-72	All	3	NP250	14mm Wide O/S Brg.	TRK-NP110A	TRK-NP110AWS
74-72	All	3	NP250	17mm Wide O/S Brg.	TRK-NP110	TRK-NP110WS
72-64	All	4	NP833		TRK-833A	TRK-833AWS
Cirrus						
00-99	2.0L	5	F5MC1/NVT350/A578		TRK-350	TRK-350WS
Laser						
86-84	2.2L, 2.5L	5	NP525		TRK-465	TRK-465WS
LeBaron						
93-90	All	5			TRK-568	TRK-568WS
89-87	All	5	NP520		TRK-520	TRK-520WS
89-87	All	5	NP520	3 Pc. 2nd Synchro Ring	TRK-520	TRK-520WS1
86-84	All	5	NP525		TRK-465	TRK-465WS
83-82	All	4	NP460	1-4 Synchro Rings Same Size	TRK-465	TRK-465WS2
Sebring						
04-03	2.4L	5	F5M42		TRK-FM450	TRK-FM450WS
04-03	2.7L	5	F5M51		TRK-FM440	TRK-FM440WS
00-95	2.0L	5	F5MC1/NVT350/A578		TRK-350	TRK-350WS

Light Duty Transmission Applications

Year	Engine	Speed	Model#	Notes	Kit	w/Synchro Rings
Dodge						
All Car Models (82 & Earlier)						
82-81	All	4	NP460	1-4 Synchro Rings Same Size	TRK-465	TRK-465WS2
80-75	All	4	NP833		TRK-833B	TRK-833BWS
80-70	All	3	NP230	35x80x21 I/S & O/S Brgs.	TRK-NP100	TRK-NP100WS
80-70	All	3	NP230	35x90x21 I/S & O/S Brgs.	TRK-NP100A	TRK-NP100AWS
76-74	All	3	390		TRK-150A	TRK-150AWS
74-72	All	3	NP250	14mm Wide O/S Brg.	TRK-NP110A	TRK-NP110AWS
74-72	All	3	NP250	17mm Wide O/S Brg.	TRK-NP110	TRK-NP110WS
72-64	All	4	NP833		TRK-833A	TRK-833AWS
72-70	All	3	NP903		TRK-NP150	TRK-NP150WS
400						
1983	2.2L, 2.6L	5	NP465		TRK-465	TRK-465WS1
1982	2.2L, 2.6L	4	NP460	1-4 Synchro Rings Same Size	TRK-465	TRK-465WS2
600						
1984	2.2L, 2.6L	5	NP525		TRK-465	TRK-465WS
1983	2.2L, 2.6L	5	NP465		TRK-465	TRK-465WS1
Aries						
89-87	2.2L, 2.6L	5	NP520		TRK-520	TRK-520WS
89-87	2.2L, 2.6L	5	NP520	3 Pc. 2nd Synchro Ring	TRK-520	TRK-520WS1
86-84	2.2L, 2.6L	5	NP525		TRK-465	TRK-465WS
85-84	2.2L, 2.6L	4	NP460		TRK-465	TRK-465WS3
83-81	2.2L, 2.6L	4	NP460	1-4 Synchro Rings Same Size	TRK-465	TRK-465WS2
1983	2.2L, 2.6L	5	NP465		TRK-465	TRK-465WS1
Avenger						
00-95	2.0L	5	F5MC1/NVT350/A578		TRK-350	TRK-350WS
Caliber						
12-07	All	5	T355	FWD;	TRK-355	N/A
Challenger						
16-09	5.7L, 6.4L	6	TR-6060		TRK-6060	TRK-6060WS
83-79	2.0L	5	KM131	6207-N M/S Front Brg.	TRK-FM140	TRK-FM140WS
83-79	2.6L	5	KM131	35BV072 M/S Front Brg.	TRK-FM110	TRK-FM110WS
Charger						
87-84	2.2L, 2.6L	5	NP525		TRK-465	TRK-465WS
86-84	2.2L, 2.6L	4	NP460		TRK-465	TRK-465WS3
1983	2.2L, 2.6L	4	NP460	1-4 Synchro Rings Same Size	TRK-465	TRK-465WS2
1983	2.2L, 2.6L	5	NP465	1-5 Synchro Rings Same Size	TRK-465	TRK-465WS1
Colt						
94-93	1.8L	5	F5M22	Taper Diff Brg.	TRK-FM150	TRK-FM150WS
94-92	1.5L	5	F5M21	3-4 Synchro Rings 36 Teeth	TRK-FM100	TRK-FM100WS2
92-90	1.6L	4	F4M21	Ball Diff Brg.	TRK-FM100	TRK-FM100WS1
91-90	1.5L	5	F5M21	3-4 Synchro Rings 30 Teeth	TRK-FM100	TRK-FM100WS
89-87	1.5L	4	KM200	Ball Diff Brgs. & Ball Int.Shaft Brgs	TRK-FM340	TRK-FM340WS
89-87	1.5L	5	KM201	Small 30T 3-4 Synchro Rings	TRK-FM100	TRK-FM100WS
89-87	1.6L	5	KM206	Taper Diff Brgs. & Taper Int.Shaft Brgs.	TRK-FM150	TRK-FM150WS
86-85	1.5L	4	KM161	Ball Diff Brgs. & Taper Int.Shaft Brgs.	TRK-FM390	TRK-FM390WS
86-85	1.5L	5	KM162	Ball Diff Brg.	TRK-FC110	TRK-FC110WS
86-85	1.6L	5	KM163	Taper Diff Brg.	TRK-FM170	TRK-FM170WS
84-83	1.6L	8	KM166	Taper Diff Brg.	TRK-FM170	TRK-FM170WS
84-82	1.4L	4	KM160	Ball Diff Brgs. & Taper Int.Shaft Brgs.	TRK-FC110	TRK-FC110WS1
84-82	1.4L	8	KM165	Ball Diff Brg.	TRK-FC110	TRK-FC110WS
1990	1.6L	5	F5M22	Taper Diff Brg.	TRK-FM150	TRK-FM150WS
1989	1.6L Turbo	5	KM210	Taper Diff Brg.	TRK-FM210	TRK-FM210WS

LD Transmission

Light Duty Transmission Applications

Year	Engine	Speed	Model#	Notes	Kit	w/Synchro Rings
Dodge (cont.)						
Colt Vista						
94-92	2.4L	5	F5M31	FWD	TRK-FM210	TRK-FM210WS
94-92	2.4L	5	W5M33	4WD	TRK-FM290	TRK-FM290WS
94-90	1.8L, 2.0L	5	F5M22	Taper Diff Brg.	TRK-FM150	TRK-FM150WS
93-90	1.8L	5	W5M31	4WD	TRK-FM240	TRK-FM240WS
91-87	2.0L	5	KM182	4WD	TRK-FC100	TRK-FC100WS1
89-11/86	1.5L	5	KM201	Small 30T 3-4 Synchro Rings	TRK-FM100	TRK-FM100WS
89-86	2.0L	5	KM206	Taper Diff Brgs. & Taper Int.Shaft Brgs.	TRK-FM150	TRK-FM150WS
10/87	2.0L	5	KM182	4WD	TRK-FC100	TRK-FC100WS
11/86-84	2.0L	5	KM163	FWD	TRK-FM170	TRK-FM170WS
1990	1.5L	5	F5M21	3-4 Synchro Rings 30 Teeth	TRK-FM100	TRK-FM100WS
1989	1.8L	5	KM221	4WD	TRK-FM240	TRK-FM240WS
1984	2.0L	8	KM166	Taper Diff Brg.	TRK-FM170	TRK-FM170WS
Conquest						
86-85	2.6L Turbo	5	KM132-N	w/ Intercooler, TMSC07887 I/S Brg.	TRK-FM310	TRK-FM310WS
86-84	2.6L Turbo	5	KM132-M	w/o Intercooler	TRK-FM300	TRK-FM300WS
Dakota						
09-05	3.7L	5	Getrag 238		Obsolete	Obsolete
04-00	3.9L	5	NV3500		TRK-235C	TRK-235CWS1
04-97	5.2L, 5.9L	5	NV3500		TRK-235C	TRK-235CWS1
02-99	2.5L	5	NV1500	30mm ID Input Shaft Brg.	TRK-1500D	TRK-1500DWS
99-92	2.5L, 3.9L	5	AX15		TRK-FT420	TRK-FT420WS
96-94	5.2L	5	NV3500		TRK-235C	TRK-235CWS
93-92	2.5L	5	NV2500/535	35mm ID Input Shaft Brg.	TRK-535	TRK-535WS
91-87	2.2L, 2.5L	5	NV2500/535	35mm ID Input Shaft Brg.	TRK-535	TRK-535WS
Dart						
72-66	All	3	NP903		TRK-NP150	TRK-NP150WS
Daytona						
93-90	2.2L, 2.5L	5	NP523		TRK-568	TRK-568WS
93-90	3.0L	5	NP568		TRK-568	TRK-568WS
89-87	2.2L, 2.5L	5	NP520		TRK-520	TRK-520WS
89-87	2.2L, 2.5L	5	NP520	3 Pc. 2nd Synchro Ring	TRK-520	TRK-520WS1
89-87	2.2L Turbo	5	NP555		TRK-520	TRK-520WS
89-87	2.2L Turbo	5	NP555	3 Pc. 2nd Synchro Ring	TRK-520	TRK-520WS1
86-84	2.2L, 2.5L	5	NP525		TRK-465	TRK-465WS
Lancer						
89-87	2.2L, 2.5L	5	NP520		TRK-520	TRK-520WS
86-85	2.2L, 2.5L	5	NP525		TRK-465	TRK-465WS
Neon						
05-03	2.4L	5	T850		TRK-850	TRK-850WS
04-00	2.0L	5	F5MC1/NVT350/A578	66mm O.D. Rear Input/Pinion Brgs.	TRK-350A	TRK-350AWS
00-95	2.0L	5	F5MC1/NVT350/A578	63mm O.D. Rear Input/Pinion Brgs.	TRK-350	TRK-350WS
Nitro						
09-07	3.7L	6	NSG370		TRK-FC120	TRK-FC120WS
Omni						
90-84	All	5	NP525		TRK-465	TRK-465WS
86-84	All	4	NP460		TRK-465	TRK-465WS3
83-81	All	4	NP460	1-4 Synchro Rings Same Size	TRK-465	TRK-465WS2
1983	All	5	NP465	1-5 Synchro Rings Same Size	TRK-465	TRK-465WS1

Light Duty Transmission Applications

Year	Engine	Speed	Model#	Notes	Kit	w/Synchro Rings
Dodge (cont.)						
Ramcharger						
1992	5.2L, 5.9L	5	NV4500		TRK-4500D	TRK-4500DWS
91-86	All	4	435	Ball I/S Brg.	TRK-127G	TRK-127GWS
86-74	All	4	435	Taper I/S Brg.	TRK-127B	TRK-127BWS
79-74	All	3	NP230		TRK-NP100A	TRK-NP100AWS
Rampage						
84-82	2.2L, 2.6L	4	NP460		TRK-465	TRK-465WS2
Shadow						
94-90	2.2L, 2.5L	5	NP523		TRK-568	TRK-568WS
91-90	3.0L	5	NP568		TRK-568	TRK-568WS
89-87	2.2L, 2.5L	5	NP520		TRK-520	TRK-520WS
89-87	2.2L, 2.5L	5	NP520	3 Pc. 2nd Synchro Ring	TRK-520	TRK-520WS1
1987	2.2L, 2.5L	5	NP525		TRK-465	TRK-465WS
Spirit						
94-90	2.2L, 2.5L	5	NP523		TRK-568	TRK-568WS
93-91	3.0L	5	NP568		TRK-568	TRK-568WS
1989	2.2L, 2.5L	5	NP520		TRK-520	TRK-520WS
1989	2.2L, 2.5L	5	NP520	3 Pc. 2nd Synchro Ring	TRK-520	TRK-520WS1
Stealth						
96-94	3.0L Turbo	6	W6MG1	4WD	TRK-FM530	TRK-FM530WS
96-93	3.0L	5	F5M33	3 Pc. 2nd Synchro Ring	TRK-FM180	TRK-FM180WS4
4/93-5/93	3.0L	5	F5M33	3 Pc. 2nd Synchro Ring	TRK-FM180	TRK-FM180WS3
93-91	3.0L Turbo	5	W5MG1	4WD	TRK-FM250	TRK-FM250WS
5/92-6/92	3.0L	5	F5M33	3 Pc. 2nd Synchro Ring	TRK-FM180	TRK-FM180WS2
4/91-5/91	3.0L	5	F5M33		TRK-FM180	TRK-FM180WS1
11/90-12/90	3.0L	5	F5M33		TRK-FM180	TRK-FM180WS
Stratus						
06-02	3.0L	5	T850		TRK-850	TRK-850WS
04-01	2.4L	5	F5M42		TRK-FM450	TRK-FM450WS
04-01	3.0L	5	F5M51		TRK-FM440	TRK-FM440WS
00-95	2.0L	5	F5MC1/ NVT350/A578		TRK-350	TRK-350WS
Truck 1/2 Ton						
04-97	All	5	NV3500	Synchronized Rev., 3 Pc. 2nd Synchro Ring	TRK-235C	TRK-235CWS1
04-97	All	5	NV4500/MT8	Includes M/S Needle Brgs.	TRK-4500DN1	TRK-4500DN1WS
04-97	All	5	NV4500/MT8	Includes M/S Needles & Small Parts Kit	TRK-4500DN1SPK	TRK-4500DN1SPKWS
04-92	All	5	NV4500/MT8		TRK-4500D	TRK-4500DWS
04-92	All	5	NV4500/MT8	Includes M/S Needle Brgs.	TRK-4500DSPK	TRK-4500DSPKWS
96-94		5	NV3500	Synchronized Rev.	TRK-235C	TRK-235CWS
96-92	All	5	NV4500/MT8	Includes M/S Needle Brgs.	TRK-4500DN	TRK-4500DNWS
96-92	All	5	NV4500/MT8	Includes M/S Needles & Small Parts Kit	TRK-4500DN1SPK	TRK-4500DN1SPKWS
91-88	3.9L	5	NV2500/535	35mm ID Input Shaft Brg.	TRK-535	TRK-535WS
91-86	All	4	NP435		TRK-127G	TRK-127GWS
90-76	All	4	NP833		TRK-833	TRK-833WS
79-75	All	3	390		TRK-150A	TRK-150AWS
79-70	All	3	NP230		TRK-NP100A	TRK-NP100AWS
86-65	All	4	NP435	Taper I/S Brg.	TRK-127B	TRK-127BWS
86-65	All	4	NP435	Ball I/S Brg.	TRK-127G	TRK-127GWS
Truck 3/4 Ton						
10-05	6.7L	6	G56		TRK-FC200	TRK-FC200WS
05-01	Diesel	6	NV5600		TRK-5600	TRK-5600WS
05-97	All	5	NV4500/MT8	Includes M/S Needles & Small Parts Kit	TRK-4500DN1SPK	TRK-4500DN1SPKWS

LD Transmission

Light Duty Transmission Applications

Year	Engine	Speed	Model#	Notes	Kit	w/Synchro Rings
Dodge (cont.)						
Truck 3/4 Ton (cont.)						
05-97	All	5	NV4500/MT8	Includes M/S Needle Brgs.	TRK-4500DN1	TRK-4500DN1WS
05-92	All	5	NV4500/MT8	Includes M/S Needle Brgs.	TRK-4500DSPK	TRK-4500DSPKWS
05-92	All	5	NV4500/MT8		TRK-4500D	TRK-4500DWS
00-98	Diesel	6	NV5600		TRK-5600	Obsolete
96-94	All	5	NV3500	Synchronized Rev.	TRK-235C	TRK-235CWS
96-92	All	5	NV4500/MT8	Includes M/S Needles & Small Parts Kit	TRK-4500DNSPK	TRK-4500DNSPKWS
96-92	All	5	NV4500/MT8	Includes M/S Needle Brgs.	TRK-4500DN	TRK-4500DNWS
93-89	Diesel	5	G360	Includes M/S Needle Brgs.	TRK-261N	TRK-261NWS
93-89	Diesel	5	G360		TRK-261	TRK-261WS
91-86	All	4	NP435		TRK-127G	TRK-127GWS
79-75	All	3	NP230		TRK-NP100A	TRK-NP100AWS
79-70	All	3	390		TRK-150A	TRK-150AWS
86-65	All	4	NP435	Taper I/S Brg.	TRK-127B	TRK-127BWS
86-65	All	4	NP435	Ball I/S Brg.	TRK-127G	TRK-127GWS
Truck 1 Ton						
10-05	6.7L	6	G56		TRK-FC200	TRK-FC200WS
05-01	Diesel	6	NV5600		TRK-5600	TRK-5600WS
05-97	All	5	NV4500/MT8	Includes M/S Needles & Small Parts Kit	TRK-4500DN1SPK	TRK-4500DN1SPKWS
05-97	All	5	NV4500/MT8	Includes M/S Needle Brgs.	TRK-4500DN1	TRK-4500DN1WS
05-92	All	5	NV4500/MT8	Includes M/S Needle Brgs.	TRK-4500DSPK	TRK-4500DSPKWS
05-92	All	5	NV4500/MT8		TRK-4500D	TRK-4500DWS
00-98	Diesel	6	NV5600		TRK-5600	Obsolete
96-92	All	5	NV4500/MT8	Includes M/S Needles & Small Parts Kit	TRK-4500DNSPK	TRK-4500DNSPKWS
96-92	All	5	NV4500/MT8	Includes M/S Needle Brgs.	TRK-4500DN	TRK-4500DNWS
93-89	Diesel	5	G360		TRK-261	TRK-261WS
93-89	Diesel	5	G360	Includes M/S Needle Brgs.	TRK-261N	TRK-261NWS
91-65	All	4	NP435	Taper I/S Brg.	TRK-127B	TRK-127BWS
91-65	All	4	NP435	Ball I/S Brg.	TRK-127G	TRK-127GWS
Truck 1-1/2 Ton						
81-78	All	4	NP435		TRK-127B	TRK-127BWS
Ram 4500						
10-08	6.7L	6	G56		TRK-FC200	TRK-FC200WS
Ram 5500						
10-08	6.7L	6	G56		TRK-FC200	TRK-FC200WS
Van (1/2 & 3/4 Ton)						
93-92	3.9L	5	AX15		TRK-FT420	TRK-FT420WS
91-88	3.9L	5	NV2500/535	35mm ID Input Shaft Brg.	TRK-535	TRK-535WS
89-88	5.2L, 5.9L	4	NP833		TRK-833	TRK-833WS
87-76	All	4	NP833		TRK-833	TRK-833WS
Viper						
16-08	8.4L	6	TR-6060		TRK-6060	TRK-6060WS
06-92	8.0L	6	T56		TRK-56	TRK-56WS
Ford						
All Car Models (82 & Earlier)						
82-81	All	4	SROD		TRK-170	TRK-170WS1
82-80	All	4	MTX4		TRK-FMZ160	TRK-FMZ160WS
82-65	All	3	Tremec	1st Synchro Ring Larger than 2nd & 3rd	TRK-150F	TRK-150FWS
82-65	All	3	Tremec		TRK-150F	TRK-150FWS1
81-78	All	4	RUG		TRK-170	TRK-170WS
76-71	All	4	ENG		TRK-F150	N/A

Light Duty Transmission Applications

Year	Engine	Speed	Model#	Notes	Kit	w/Synchro Rings
Ford (cont.)						
All Car Models (82 & Earlier) (cont.)						
73-64	All	4	RUG/HEH		TRK-170A	TRK-170AWS
73-64	All	4	RUG/HEH	Max-Type Brgs.	TRK-170AHD	TRK-170AHDWS
70-64	All	3	T86		TRK-BW86	N/A
69-66	All	4	T10	w/o Thrust Brg. Between 2nd-3rd Gear	TRK-10W	TRK-10WWS
68-63	All	4	DAG	Includes Small Parts Kit	TRK-F140	TRK-F140WS
68-63	All	4	DAG	M/S & C/S Needles Not Included	TRK-F140A	TRK-F140AWS
67-64	All	3	HED		TRK-F130	TRK-F130WS
65-57	All	4	T10	w/ Thrust Brg. Between 2nd-3rd Gear	TRK-10E	TRK-10EWS
64-48	All	3	259		TRK-259	N/A
64-48	All	3w/OD	259		TRK-259A	N/A
Aerostar						
95-90	3.0L	5	M5R1	Updated 30 Tooth 5th Synchro Ring	TRK-247	TRK-247WS1
90-88	3.0L	5	M5R1	36 Tooth 5th Synchro Ring	TRK-247	TRK-247WS
87-86	All	5	TK5L	42 Teeth Synchro Rings	TRK-12	TRK-12WS1
Aspire						
97-94	1.3L	5			TRK-FF100	Obsolete
Bronco						
96-90	5.0L	5	M5R2	Updated 33 Tooth 5th Synchro Ring	TRK-248	TRK-248WS1
92-87	All	4	T18	23mm Wide I/S Brg.	TRK-BW18A	TRK-BW18AWS1
1/90	5.0L	5	M5R2		TRK-248	TRK-248WS
90-79	All	4	T18	20mm Wide I/S Brg.	TRK-BW18	TRK-BW18WS
87-85	All	4	RTS		TRK-174F	TRK-174FWS1
87-78	All	4	NP435		TRK-127F	TRK-127FWS
1983	All	4	RUG		TRK-174F	TRK-174FWS
Bronco II						
1990	2.9L	5	M5R1	Updated 30 Tooth 5th Synchro Ring	TRK-247	TRK-247WS1
90-88	2.9L	5	FM146	Synchronized Rev.	TRK-50	TRK-50WS1
90-88	2.9L	5	M5R1		TRK-247	TRK-247WS
87-86	2.3L	5	FM145		TRK-50	TRK-50WS
87-86	2.9L	5	TK5L	42 Teeth Synchro Rings	TRK-12	TRK-12WS1
85-84	2.8L	5	TK5	30 Teeth Synchro Rings	TRK-12	TRK-12WS
1984	2.8L	4	TK4		TRK-12C	TRK-12CWS
Contour						
00-95	2.0L	5	MTX5		Obsolete	Obsolete
EXP						
83-82	1.6L	4	MTX4		TRK-FMZ160	TRK-FMZ160WS
Escort						
00-98	2.0L	5	MTX5		TRK-FMZ150	TRK-FMZ150WS
96-93	1.9L	5	MTX5	I/S Ball Brg. Has 25.0mm I.D.	TRK-FMZ260	TRK-FMZ260WS
96-91	1.8L	5	MTX5	Taper I/S Brg.	TRK-FMZ150	TRK-FMZ150WS
11/93	1.9L	5	MTX5	I/S Ball Brg. Has 25.4mm I.D.	TRK-FMZ130	TRK-FMZ130WS
90-85	All	4	MTX4		TRK-FMZ330	TRK-FMZ330WS
84-81	All	4	MTX4		TRK-FMZ160	TRK-FMZ160WS
Explorer						
03-02	4.0L	5	M5R4		TRK-FMZ360	TRK-FMZ360WS
01-91	4.0L	5	M5R1	Updated 30 Tooth 5th Synchro Ring	TRK-247	TRK-247WS1
01-91	4.0L	5	M5R1	Includes M/S Needle Brgs.	TRK-247N	TRK-247NWS1

Light Duty Transmission Applications

Year	Engine	Speed	Model#	Notes	Kit	w/Synchro Rings
Ford (cont.)						
Explorer Sport / Trac						
03-01	4.0L	5	M5R1	Updated 5th Synchro Ring	TRK-247	TRK-247WS1
Festiva						
93-89	1.3L	5	All		TRK-FF100	Obsolete
89-88	1.3L	4	All		TRK-FF100	Obsolete
Focus						
15-12	2.3L	5	MTX75		TRK-FMZ420A	N/A
11-04	2.0L SOHC	5	MTX75		TRK-FMZ420	N/A
04-00	2.0L SOHC	5	IB5		TRK-FMZ370	TRK-FMZ370WS
03-00	2.3L	5	MTX75		TRK-FMZ350	Obsolete
Granada						
84-81	All	4	SROD		TRK-170	TRK-170WS1
81-78	All	4	RUG		TRK-170	TRK-170WS
Mustang						
14-07	5.4L, 5.8L	6	TR-6060		TRK-6060	TRK-6060WS
10-01	4.6L	5	TR-3650		TRK-3650	TRK-3650WS
08-94	3.8L, 4.0L	5	T5 World Class	LM48548/10 I/S Brg. Rev Synchro	TRK-5W	TRK-5WWS1
04-03	4.6L	6	T56		TRK-56	TRK-56WS
02-96	4.6L	5	T45		TRK-BW45	TRK-BW45WS
95-93	5.0L	5	T5 World Class	LM48548/10 I/S Brg. Rev Synchro, Taper Pilot Brg.	TRK-5WC	TRK-5WCWS
95-92	5.0L	5	T5 World Class	LM48548/10 I/S Brg. Rev Synchro	TRK-5W	TRK-5WWS1
93-87	2.3L	5	T5 World Class	M88048/10 I/S Brg.	TRK-5WA	TRK-5WWS
91-85	All	5	T5 World Class	LM48548/10 I/S Brg. & Taper C/S Brgs.	TRK-5W	TRK-5WWS
84-83	All	5	T5	LM48548/10 I/S Brg. & Cylindrical C/S Brgs.	TRK-5	TRK-5WS
1983	All	4	RUG		TRK-170	TRK-170WS
1983	All	5	RAP		TRK-F190	Obsolete
Pinto						
81-78	All	4	RUG		TRK-170	TRK-170WS
Probe						
97-93	2.0L & 2.5L	5	PR5		TRK-FMZ150	TRK-FMZ150WS
92-89	2.2L Turbo	5	PR5		TRK-FMZ170	TRK-FMZ170WS
92-88	2.2L, 3.0L	5	PR5		TRK-FMZ150	TRK-FMZ150WS
Ranger						
11-90	All	5	M5R1	Updated 30 Tooth 5th Synchro Ring	TRK-247	TRK-247WS1
11-90	All	5	M5R1	Includes M/S Needle Brgs.	TRK-247N	TRK-247NWS1
92-88	All	5	FM146	Synchronized Rev.	TRK-50	TRK-50WS1
92-85	All	5	FM132		TRK-50A	TRK-50AWS
90-87	All	5	M5R1	36 Tooth 5th Synchro Ring	TRK-247	TRK-247WS
90-87	All	5	M5R1	36 Tooth 5th Synchro Ring; Incl. M/S Needles	TRK-247N	TRK-247NWS
87-86	All	5	FM145		TRK-50	TRK-50WS
87-86	Gas	5	TK5L	42 Teeth Synchro Rings	TRK-12	TRK-12WS1
85-83	Gas	5	TK5	30 Teeth Synchro Rings	TRK-12	TRK-12WS
84-83	Diesel	4	TK4D		TRK-12A	TRK-12AWS
84-83	Diesel	5	TK5D		TRK-12B	TRK-12BWS
84-83	Gas	4	TK4		TRK-12C	TRK-12CWS
Taurus						
88-86	2.5L	5	MTX5		TRK-FMZ140	Obsolete

Light Duty Transmission Applications

Year	Engine	Speed	Model#	Notes	Kit	w/Synchro Rings
Ford (cont.)						
Taurus SHO						
95-89	3.0L	5	MTX5		TRK-FMZ190	Obsolete
Tempo						
94-92	3.0L	5	MTX5		TRK-FMZ190	Obsolete
94-84	2.3L	5	MTX5		TRK-FMZ140	Obsolete
85-84	2.0L	4	MTX4		TRK-FMZ160	TRK-FMZ160WS
Thunderbird						
95-89	3.8L S/C	5	M5R2		TRK-248B	Obsolete
88-85	2.3L	5	T5 World Class	LM48548/10 I/S Brg. & Taper C/S Brgs.	TRK-5W	TRK-5WWS
84-83	2.3L	5	T5	LM48548/10 I/S Brg. & Cylindrical C/S Brgs.	TRK-5	TRK-5WS
Trucks, Vans & SUV's (82 & Earlier)						
82-81	All	4	SROD		TRK-174F	TRK-174FWS1
82-80	All	4	T19D	Taper I/S Brg.	TRK-BW19B	TRK-BW19BWS
82-77	All	4	RUG		TRK-174F	TRK-174FWS
82-72	All	4	CR1		TRK-F100	TRK-F100WS
82-68	All	4	T19	20mm Wide I/S Brg.	TRK-BW19	TRK-BW19WS
82-68	All	4	T19	23mm Wide I/S Brg.	TRK-BW19A	TRK-BW19AWS
82-65	All	3	Tremec	1st Synchro Ring Larger than 2nd & 3rd	TRK-150F	TRK-150FWS
82-65	All	3	Tremec	All Rings Same Size	TRK-150F	TRK-150FWS1
82-65	All	4	T18	20mm Wide I/S Brg.	TRK-BW18	TRK-BW18WS
82-65	All	4	T18	23mm Wide I/S Brg.	TRK-BW18A	TRK-BW18AWS1
81-76	All	5	CR2		TRK-F110	TRK-F110WS
71-67	All	3	T89		TRK-BW85	TRK-BW85WS
71-66	All	3	T87		TRK-BW87	TRK-BW87WS
71-56	All	3	T85		TRK-BW85	TRK-BW85WS
70-62	All	3	T86		TRK-BW86	TRK-BW86WS
64-48	All	3	259		TRK-259	Obsolete
64-48	All	3w/OD	259A		TRK-259A	Obsolete
64-48	All	4	T98		TRK-BW98	TRK-BW98WS
55-40	All	4	T8		TRK-F120	Obsolete
55-40	All	4	T9		TRK-F120	Obsolete
Truck 1/2 Ton						
08-99	All	5	M5R2	3 Pc. 2nd Synchro Ring	TRK-248	Obsolete
98-90	All	5	M5R2	Updated 33 Tooth 5th Synchro Ring	TRK-248	TRK-248WS1
96-88	All	5	S5-42		TRK-300ZF/1	TRK-300ZF/1WS
96-88	All	5	S5-42	Includes M/S Needle Brgs.	TRK-300ZF	TRK-300ZFWS
94-83	All	4	T18	23mm Wide I/S Brg.	TRK-BW18A	TRK-BW18AWS1
92-65	All	4	T18	20mm Wide I/S Brg.	TRK-BW18	TRK-BW18WS
90-87	All	5	M5R2		TRK-248	TRK-248WS
87-83	All	4	RUG		TRK-174F	TRK-174FWS
87-83	All	4	RTS		TRK-174F	TRK-174FWS1
87-65	All	4	NP435		TRK-127F	TRK-127FWS
86-83	All	3	Tremec	1st Synchro Ring Larger than 2nd & 3rd	TRK-150F	TRK-150FWS
86-83	All	3	Tremec	All Rings Same Size	TRK-150F	TRK-150FWS1
64-60	All	4	T98		TRK-BW98	TRK-BW98WS
Truck 3/4 Ton						
10-99	All	6	S6-650		TRK-S6-650ZF	TRK-S6-650ZFWS
10-99	All	6	S6-650	Includes M/S Needle Brgs.	TRK-S6-650ZFN	TRK-S6-650ZFNWS
08-99	All	6	S6-650	Brake Drum Section	TRK-300ZFBDL	N/A
07-03	All	6	S6-750		TRK-S6-650ZFB	TRK-S6-650ZFBWS

Light Duty Transmission Applications

Year	Engine	Speed	Model#	Notes	Kit	w/Synchro Rings
Ford (cont.)						
Truck 3/4 Ton (cont.)						
01-99	All	5	S5-47M		TRK-300ZF/1	TRK-300ZF/1WS1
01-99	All	5	S5-47M	Includes M/S Needle Brgs.	TRK-300ZF	TRK-300ZFWS1
01-88	All	5	S5-42/47M	Brake Drum Section	TRK-300ZFBD	N/A
1999	All	5	M5R2	3 Pc. 2nd Synchro Ring	TRK-248	Obsolete
98-96	All	5	S5-47		TRK-300ZF/1	TRK-300ZF/1WS1
98-96	All	5	S5-47	Includes M/S Needle Brgs.	TRK-300ZF	TRK-300ZFWS1
98-90	All	5	M5R2	Updated 33 Tooth 5th Synchro Ring	TRK-248	TRK-248WS1
95-88	All	5	S5-42		TRK-300ZF/1	TRK-300ZF/1WS
95-88	All	5	S5-42	Includes M/S Needle Brgs.	TRK-300ZF	TRK-300ZFWS
94-83	All	4	T18	23mm Wide I/S Brg.	TRK-BW18A	TRK-BW18AWS1
93-83	All	4	T19	20mm Wide I/S Brg.	TRK-BW19	TRK-BW19WS
93-83	All	4	T19	23mm Wide I/S Brg.	TRK-BW19A	TRK-BW19AWS
93-83	All	4	T19D	Taper I/S Brg.	TRK-BW19B	TRK-BW19BWS
92-65	All	4	T18	20mm Wide I/S Brg.	TRK-BW18	TRK-BW18WS
90-87	All	5	M5R2		TRK-248	TRK-248WS
87-65	All	4	NP435		TRK-127F	TRK-127FWS
86-83	All	3	Tremec	1st Synchro Ring Larger than 2nd & 3rd	TRK-150F	TRK-150FWS
86-83	All	3	Tremec	All Rings Same Size	TRK-150F	TRK-150FWS1
Truck 1 Ton						
10-99	All	6	S6-650		TRK-S6-650ZF	TRK-S6-650ZFWS
10-99	All	6	S6-650	Includes M/S Needle Brgs.	TRK-S6-650ZFN	TRK-S6-650ZFNWS
08-99	All	6	S6-650	Brake Drum Section	TRK-300ZFBDL	N/A
10-03	All	6	S6-750		TRK-S6-650ZFB	TRK-S6-650ZFBWS
01-99	All	5	S5-47M		TRK-300ZF/1	TRK-300ZF/1WS1
01-99	All	5	S5-47M	Includes M/S Needle Brgs.	TRK-300ZF	TRK-300ZFWS1
01-88	All	5	S5-42/47M	Brake Drum Section	TRK-300ZFBD	N/A
97-96	All	5	S5-47		TRK-300ZF/1	TRK-300ZF/1WS1
97-96	All	5	S5-47	Includes M/S Needle Brgs.	TRK-300ZF	TRK-300ZFWS1
95-88	All	5	S5-42		TRK-300ZF/1	TRK-300ZF/1WS
95-88	All	5	S5-42	Includes M/S Needle Brgs.	TRK-300ZF	TRK-300ZFWS
94-83	All	4	T18	23mm Wide I/S Brg.	TRK-BW18A	TRK-BW18AWS1
93-83	All	4	T19	20mm Wide I/S Brg.	TRK-BW19	TRK-BW19WS
93-83	All	4	T19	23mm Wide I/S Brg.	TRK-BW19A	TRK-BW19AWS
93-83	All	4	T19D	Taper I/S Brg.	TRK-BW19B	TRK-BW19BWS
87-65	All	4	NP435		TRK-127F	TRK-127FWS
87-65	All	4	T18	20mm Wide I/S Brg.	TRK-BW18	TRK-BW18WS
84-83	All	3	Tremec	1st Synchro Ring Larger than 2nd & 3rd	TRK-150F	TRK-150FWS
84-83	All	3	Tremec	All Rings Same Size	TRK-150F	TRK-150FWS1
Van 1 Ton						
87-84	All	4	NP435		TRK-127F	TRK-127FWS
Geo						
Metro						
01-89	1.0L	5	MV3		TRK-FS110	TRK-FS110WS
Prizm						
97-89	All	5	C51		TRK-FT320	TRK-FT320WS3
Spectrum						
1989	1.5L	5	76mm Isuzu	3 Pc. 1-2 Synchro Rings	TRK-FI120	TRK-FI120WS1
Storm						
93-90	All	5	MV4	3 Pc. 1-2 Synchro Rings	TRK-FI120	TRK-FI120WS1

Light Duty Transmission Applications

Year	Engine	Speed	Model#	Notes	Kit	w/Synchro Rings
Geo (cont.)						
Tracker						
97-99	2.0L	5	All		TRK-FS130	TRK-FS130WS
GMC						
Jimmy (Full Size)						
91-90	All	4	SM465	211FFLE I/S Brg.	TRK-157B	TRK-157BWS
90-79	All	4	SM465	Contains R1563TAV Front C/S Brg.	TRK-157L	TRK-157LWS
90-70	All	4	SM465	Contains M1305GGTV & R1563TAV Front C/S Brg.	TRK-157A	TRK-157AWS
90-70	All	4	SM465	w/ Small Parts Kit, Keys, & Spring	TRK-157ASPK	TRK-157ASPKWS
87-81	All	4	NP833		TRK-833	TRK-833WS
81-77	All	3	Saginaw		TRK-301	TRK-301WS1
Jimmy (S15 Size)						
05-96	4.3L	5	HM290/MG5/NV3500	Standard I/S & O/S Brgs. 3 Pc. 1-2 Synchro Rings & 1.18 ID C/S Brgs	TRK-235B	TRK-235BWS1
05-96	4.3L	5	NV3500	Standard I/S & O/S Brgs. 3 Pc. 1-2 Synchro Rings & 1.30 ID C/S Brgs	TRK-235E	TRK-235EWS
03-96	2.2L	5	NV1500	6306 I/S Brg.	TRK-1500GM	TRK-1500GMWS
96-95	4.3L	5	HM290/MG5/NV3500	Standard I/S & O/S Brgs. Includes M/S Needle Brgs.	TRK-235BN2	TRK-235BN2WS
1995	4.3L	5	HM290/MG5/NV3500	Standard I/S & O/S Brgs. 3 Pc. 1-2 Synchro Rings	TRK-235B	TRK-235BWS1
1994	4.3L	5	HM290/MG5/NV3500	Standard I/S & O/S Brgs. Includes M/S Needle Brgs.	TRK-235BN1	TRK-235BN1WS
94-91	4.3L	5	HM290/MG5/NV3500	Standard I/S & O/S Brgs.	TRK-235B	TRK-235BWS
93-91	4.3L	5	HM290/MG5/NV3500	Standard I/S & O/S Brgs. Includes M/S Needle Brgs.	TRK-235BN	TRK-235BNWS
91-90	4.3L	5	HM290/MG5	3 Pc. I/S & Standard Ball O/S Brgs	TRK-235A	TRK-235AWS
91-90	4.3L	5	HM290/MG5	3 Pc. I/S & Standard Ball O/S Brgs Includes M/S Needle Brgs.	TRK-235AN	TRK-235ANWS
90-88	2.8L	5	T5 World Class	Taper C/S Brgs.	TRK-5W	TRK-5WWS
87-85	2.0L	4	T4	Taper I/S & O/S Brgs.	TRK-5	TRK-5WS1
87-83	2.8L	5	T5	Cylindrical C/S Brgs.	TRK-5	TRK-5WS
85-83	1.9L	4	S101		TRK-F1240	TRK-F1240WS
84-83	2.0L	4	T4C	Ball I/S & O/S Brgs.	TRK-4C	TRK-4CWS
S15, Sonoma Pickup						
03-96	4.3L	5	HM290/MG5/NV3500	Standard I/S & O/S Brgs. 3 Pc. 1-2 Synchro Rings & 1.18 ID C/S Brgs	TRK-235B	TRK-235BWS1
03-96	4.3L	5	NV3500	Standard I/S & O/S Brgs. 3 Pc. 1-2 Synchro Rings & 1.30 ID C/S Brgs	TRK-235E	TRK-235EWS
03-96	2.2L	5	NV1500	6306 I/S Brg.	TRK-1500GM	TRK-1500GMWS
96-95	4.3L	5	HM290/MG5/NV3500	Standard I/S & O/S Brgs. Includes M/S Needle Brgs.	TRK-235BN2	TRK-235BN2WS
1995	4.3L	5	HM290/MG5/NV3500	Standard I/S & O/S Brgs. 3 Pc. 1-2 Synchro Rings	TRK-235B	TRK-235BWS1
95-88	All	5	T5 World Class	Taper C/S Brgs.	TRK-5W	TRK-5WWS
1994	4.3L	5	HM290/MG5/NV3500	Standard I/S & O/S Brgs. Includes M/S Needle Brgs.	TRK-235BN1	TRK-235BN1WS
94-91	4.3L	5	HM290/MG5/NV3500	Standard I/S & O/S Brgs.	TRK-235B	TRK-235BWS
93-91	4.3L	5	HM290/MG5/NV3500	Standard I/S & O/S Brgs. Includes M/S Needle Brgs.	TRK-235BN	TRK-235BNWS
91-90	4.3L	5	HM290/MG5	3 Pc. I/S & Standard Ball O/S Brgs	TRK-235A	TRK-235AWS
91-90	4.3L	5	HM290/MG5	3 Pc. I/S & Standard Ball O/S Brgs Includes M/S Needle Brgs.	TRK-235AN	TRK-235ANWS
87-85	2.0L	4	T4	Taper I/S & O/S Brgs.	TRK-5	TRK-5WS1

LD Transmission

Light Duty Transmission Applications

Year	Engine	Speed	Model#	Notes	Kit	w/Synchro Rings
GMC (cont.)						
S15, Sonoma Pickup (cont.)						
87-82	2.8L	5	T5	Cylindrical C/S Brgs.	TRK-5	TRK-5WS
85-82	1.9L	4	S101		TRK-FI240	TRK-FI240WS
84-82	2.0L	4	T4C	Ball I/S & O/S Brgs.	TRK-4C	TRK-4CWS
Suburban						
1990	All	4	SM465	211FFLE I/S Brg.	TRK-157B	TRK-157BWS
90-83	All	4	SM465	N1211-L I/S Brg.	TRK-157L	TRK-157LWS
90-68	All	4	SM465	Contains M1305GGTV & R1563TAV Front C/S Brg.	TRK-157A	TRK-157AWS
90-68	All	4	SM465	w/ Small Parts Kit, Keys, & Spring	TRK-157ASPK	TRK-157ASPKWS
72-67	All	4	NP435	Ball I/S Brg.	TRK-127G	TRK-127GWS
72-67	All	4	NP435	Taper I/S Brg.	TRK-127SPK	TRK-127WS
Trucks, Vans & SUV's (82 & Earlier)						
86-80	All	4	NP833		TRK-833	TRK-833WS
84-70	All	5	NP542		TRK-29	N/A
82-79	All	5	Clark 280HD	Taper I/S Brg.	TRK-190	N/A
82-76	All	5	Clark 390		TRK-390G	N/A
82-68	All	5	Clark 280		TRK-148	N/A
82-66	All	3	Saginaw		TRK-301	TRK-301WS1
82-65	All	3	Tremec		TRK-150F	TRK-150FWS1
78-60	All	5	NP540		TRK-27	N/A
75-68	All	5	Clark 320		TRK-132	N/A
75-68	All	5	Clark 380		TRK-133	N/A
74-68	All	3	SM330		TRK-G140	Obsolete
69-60	All	5	Clark 300		TRK-48	N/A
69-60	All	5	NP541		TRK-29	N/A
68-55	All	3	318		TRK-G110	N/A
68-55	All	3w/OD	319		TRK-G110	N/A
67-60	All	5	Clark 260		TRK-23	N/A
67-48	All	4	SM420		TRK-G160	N/A
54-40	All	3	318		TRK-G100	N/A
54-40	All	3w/OD	319		TRK-G110	N/A
47-40	All	4	185		TRK-G150	N/A
Truck 1/2 Ton						
07-96	All	5	NV3500	Standard I/S & O/S Brgs. 3 Pc. 1-2 Synchro Rings & 1.30 ID C/S Brgs	TRK-235E	TRK-235EWS
07-96	All	5	HM290/MG5/NV3500	Standard I/S & O/S Brgs. 3 Pc. 1-2 Synchro Rings & 1.18 ID C/S Brgs	TRK-235B	TRK-235BWS1
98-97	All	5	NV4500	Includes M/S Needles & Small Parts Kit	TRK-4500GM1N1SPK	TRK-4500GM1N1SPKWS
98-97	All	5	NV4500	Includes M/S Needle Brgs.	TRK-4500GM1N1	TRK-4500GM1N1WS
98-96	All	5	NV4500	Includes Small Parts Kit	TRK-4500GM1SPK	TRK-4500GM1SPKWS
98-96	All	5	NV4500		TRK-4500GM1	TRK-4500GM1WS
1996	All	5	NV4500	Includes M/S Needles & Small Parts Kit	TRK-4500GM1NSPK	TRK-4500GM1NSPKWS
1996	All	5	NV4500	Includes M/S Needle Brgs.	TRK-4500GM1N	TRK-4500GM1NWS
96-95	All	5	HM290/MG5/NV3500	Standard I/S & O/S Brgs. Includes M/S Needle Brgs.	TRK-235BN2	TRK-235BN2WS
1995	All	5	HM290/MG5/NV3500	Standard I/S & O/S Brgs.	TRK-235B	TRK-235BWS1
95-92	All	5	NV4500	Includes M/S Needle Brgs.	TRK-4500GMSPK	TRK-4500GMSPKWS
95-92	All	5	NV4500	Includes M/S Needle Brgs.	TRK-4500GMNSPK	TRK-4500GMNSPKWS
95-92	All	5	NV4500	Includes M/S Needle Brgs.	TRK-4500GMN	TRK-4500GMNWS
95-92	All	5	NV4500		TRK-4500GM	TRK-4500GMWS
1994	All	5	HM290/MG5/NV3500	Standard I/S & O/S Brgs. Includes M/S Needle Brgs.	TRK-235BN1	TRK-235BN1WS

Light Duty Transmission Applications



Year	Engine	Speed	Model#	Notes	Kit	w/Synchro Rings
GMC (cont.)						
Truck 1/2 Ton (cont.)						
94-91	All	5	HM290/MG5/NV3500	3 Pc. I/S & Standard Ball O/S Brgs	TRK-235B	TRK-235BWS
93-91	All	5	HM290/MG5/NV3500	Includes M/S Needle Brgs.	TRK-235BN	TRK-235BNWS
91-90	All	4	SM465	211FFLE I/S Brg.	TRK-157B	TRK-157BWS
91-90	All	5	HM290/MG5/NV3500	3 Pc. I/S & Standard Ball O/S Brgs Includes M/S Needle Brgs.	TRK-235AN	TRK-235ANWS
91-90	All	5	HM290/MG5/NV3500	3 Pc. I/S & O/S Brgs. Includes M/S Needle Brgs.	TRK-235A	TRK-235AWS
90-79	All	4	SM465	Contains R1563TAV Front C/S Brg.	TRK-157L	TRK-157LWS
90-68	All	4	SM465		TRK-157A	TRK-157AWS
90-68	All	4	SM465	Contains M1305GGTV & R1563TAV Front C/S Brg.	TRK-157ASPK	TRK-157ASPKWS
89-88	All	5	HM290/MG5/NV3500	3 Pc. I/S & O/S Brgs.	TRK-235N	TRK-235NWS
89-88	All	5	HM290/MG5/NV3500	Contains R1563TAV Front C/S Brg. & 211FFLE I/S Brg.	TRK-235	TRK-235WS
87-82	All	4	NP833		TRK-833	TRK-833WS
87-77	All	3	Saginaw		TRK-301	TRK-301WS1
72-67	All	4	NP435	Taper I/S Brg.	TRK-127SPK	TRK-127WS
72-67	All	4	NP435	Ball I/S Brg.	TRK-127G	TRK-127GWS
Truck 3/4 Ton						
07-01	All	6	S6-650	4WD	TRK-S6-650ZFC	TRK-S6-650ZFCWS
07-01	All	6	S6-650	4WD, Includes M/S Needle Brgs.	TRK-S6-650ZFCN	TRK-S6-650ZFCNWS
07-01	All	6	S6-650	2WD	TRK-S6-650ZFA	TRK-S6-650ZFAWS
07-01	All	6	S6-650	2WD, Includes M/S Needle Brgs.	TRK-S6-650ZFAN	TRK-S6-650ZFANWS
07-97	All	5	NV4500	Includes M/S Needle Brgs.	TRK-4500GM1N1	TRK-4500GM1N1WS
07-97	All	5	NV4500	Includes M/S Needles & Small Parts Kit	TRK-4500GM1N1SPK	TRK-4500GM1N1SPKWS
07-96	All	5	NV4500		TRK-4500GM1	TRK-4500GM1WS
07-96	All	5	NV4500	Includes Small Parts Kit	TRK-4500GM1SPK	TRK-4500GM1SPKWS
98-96	All	5	NV3500	Standard I/S & O/S Brgs. 3 Pc. 1-2 Synchro Rings & 1.30 ID C/S Brgs	TRK-235E	TRK-235EWS
98-96	All	5	HM290/MG5/NV3500	Standard I/S & O/S Brgs. 3 Pc. 1-2 Synchro Rings & 1.18 ID C/S Brgs	TRK-235B	TRK-235BWS1
1996	All	5	NV4500	Includes M/S Needle Brgs.	TRK-4500GM1N	TRK-4500GM1NWS
1996	All	5	NV4500	Includes M/S Needles & Small Parts Kit	TRK-4500GM1NSPK	TRK-4500GM1NSPKWS
96-95	All	5	HM290/MG5/NV3500	Standard I/S & O/S Brgs. Includes M/S Needle Brgs.	TRK-235BN2	TRK-235BN2WS
1995	All	5	HM290/MG5/NV3500	Standard I/S & O/S Brgs.	TRK-235B	TRK-235BWS1
95-91	All	5	NV4500		TRK-4500GM	TRK-4500GMWS
95-91	All	5	NV4500	Includes M/S Needle Brgs.	TRK-4500GMN	TRK-4500GMNWS
95-91	All	5	NV4500	Includes M/S Needle Brgs.	TRK-4500GMNSPK	TRK-4500GMNSPKWS
95-91	All	5	NV4500	Includes M/S Needle Brgs.	TRK-4500GMSPK	TRK-4500GMSPKWS
1994	All	5	HM290/MG5/NV3500	Standard I/S & O/S Brgs. Includes M/S Needle Brgs.	TRK-235BN1	TRK-235BN1WS
94-91	All	5	HM290/MG5/NV3500	3 Pc. I/S & Standard Ball O/S Brgs	TRK-235B	TRK-235BWS
93-91	All	5	HM290/MG5/NV3500	Includes M/S Needle Brgs.	TRK-235BN	TRK-235BNWS
91-90	All	4	SM465	211FFLE I/S Brg.	TRK-157B	TRK-157BWS
91-90	All	5	HM290/MG5/NV3500	3 Pc. I/S & Standard Ball O/S Brgs Includes M/S Needle Brgs.	TRK-235AN	TRK-235ANWS
91-90	All	5	HM290/MG5/NV3500	3 Pc. I/S & O/S Brgs. Includes M/S Needle Brgs.	TRK-235A	TRK-235AWS
90-79	All	4	SM465	Contains R1563TAV Front C/S Brg.	TRK-157L	TRK-157LWS
90-68	All	4	SM465		TRK-157A	TRK-157AWS

LD Transmission

Light Duty Transmission Applications

Year	Engine	Speed	Model#	Notes	Kit	w/Synchro Rings
GMC (cont.)						
Truck 3/4 Ton (cont.)						
90-68	All	4	SM465	Contains M1305GGTV & R1563TAV Front C/S Brg.	TRK-157ASP	TRK-157ASP
89-88	All	5	HM290/MG5/NV3500	3 Pc. I/S & O/S Brgs.	TRK-235N	TRK-235NWS
89-88	All	5	HM290/MG5/NV3500	Contains R1563TAV Front C/S Brg. & 211FFLE I/S Brg.	TRK-235	TRK-235WS
87-82	All	4	NP833		TRK-833	TRK-833WS
87-77	All	3	Saginaw		TRK-301	TRK-301WS1
72-67	All	4	NP435	Taper I/S Brg.	TRK-127SPK	TRK-127WS
72-67	All	4	NP435	Ball I/S Brg.	TRK-127G	TRK-127GWS
Truck 1 Ton						
07-01	All	6	S6-650	4WD	TRK-S6-650ZFC	TRK-S6-650ZFCWS
07-01	All	6	S6-650	4WD, Includes M/S Needle Brgs.	TRK-S6-650ZFCN	TRK-S6-650ZFCNWS
07-01	All	6	S6-650	2WD	TRK-S6-650ZFA	TRK-S6-650ZFAWS
07-01	All	6	S6-650	2WD, Includes M/S Needle Brgs.	TRK-S6-650ZFAN	TRK-S6-650ZFANWS
07-97	All	5	NV4500	Includes M/S Needle Brgs.	TRK-4500GM1N1	TRK-4500GM1N1WS
07-97	All	5	NV4500	Includes M/S Needles & Small Parts Kit	TRK-4500GM1N1SPK	TRK-4500GM1N1SPKWS
07-96	All	5	NV4500		TRK-4500GM1	TRK-4500GM1WS
07-96	All	5	NV4500	Includes Small Parts Kit	TRK-4500GM1SPK	TRK-4500GM1SPKWS
1996	All	5	NV4500	Includes M/S Needle Brgs.	TRK-4500GM1N	TRK-4500GM1NWS
1996	All	5	NV4500	Includes M/S Needles & Small Parts Kit	TRK-4500GM1NSPK	TRK-4500GM1NSPKWS
95-91	All	5	NV4500		TRK-4500GM	TRK-4500GMWS
95-91	All	5	NV4500	Includes M/S Needle Brgs.	TRK-4500GMN	TRK-4500GMNWS
95-91	All	5	NV4500	Includes M/S Needle Brgs.	TRK-4500GMNSPK	TRK-4500GMNSPKWS
95-91	All	5	NV4500	Includes M/S Needle Brgs.	TRK-4500GMSPK	TRK-4500GMSPKWS
91-90	All	4	SM465	211FFLE I/S Brg.	TRK-157B	TRK-157BWS
90-79	All	4	SM465	Contains R1563TAV Front C/S Brg.	TRK-157L	TRK-157LWS
90-68	All	4	SM465		TRK-157A	TRK-157AWS
90-68	All	4	SM465	Contains M1305GGTV & R1563TAV Front C/S Brg.	TRK-157ASP	TRK-157ASP
72-67	All	4	NP435	Taper I/S Brg.	TRK-127SPK	TRK-127WS
72-67	All	4	NP435	Ball I/S Brg.	TRK-127G	TRK-127GWS
Van 1/2 Ton						
87-79	All	4	SM465	Contains R1563TAV Front C/S Brg.	TRK-157L	TRK-157LWS
87-71	All	4	SM465		TRK-157A	TRK-157AWS
87-71	All	4	SM465	Contains M1305GGTV & R1563TAV Front C/S Brg.	TRK-157ASP	TRK-157ASP
72-67	All	4	NP435	Taper I/S Brg.	TRK-127	TRK-127WS
72-67	All	4	NP435	Ball I/S Brg.	TRK-127G	TRK-127GWS
Van 3/4 Ton						
87-79	All	4	SM465	Contains R1563TAV Front C/S Brg.	TRK-157L	TRK-157LWS
87-71	All	4	SM465		TRK-157A	TRK-157AWS
87-71	All	4	SM465	Contains M1305GGTV & R1563TAV Front C/S Brg.	TRK-157ASP	TRK-157ASP
72-67	All	4	NP435	Taper I/S Brg.	TRK-127	TRK-127WS
72-67	All	4	NP435	Ball I/S Brg.	TRK-127G	TRK-127GWS
Van 1 Ton						
87-79	All	4	SM465	Contains R1563TAV Front C/S Brg.	TRK-157L	TRK-157LWS
87-71	All	4	SM465		TRK-157A	TRK-157AWS

Light Duty Transmission Applications

Year	Engine	Speed	Model#	Notes	Kit	w/Synchro Rings
GMC (cont.)						
Van 1 Ton (cont.)						
87-71	All	4	SM465	Contains M1305GGTV & R1563TAV Front C/S Brg.	TRK-157ASPK	TRK-157ASPKWS
72-67	All	4	NP435	Taper I/S Brg.	TRK-127	TRK-127WS
72-67	All	4	NP435	Ball I/S Brg.	TRK-127G	TRK-127GWS
Yukon						
96-95	5.7L	5	HM290/MG5/NV3500	Standard I/S & O/S Brgs. Includes M/S Needle Brgs.	TRK-235BN2	TRK-235BN2WS
96-95	5.7L	5	HM290/MG5/NV3500	Standard I/S & O/S Brgs. 3 Pc. 1-2 Synchro Rings	TRK-235B	TRK-235BWS1
1994	5.7L	5	HM290/MG5/NV3500	Standard I/S & O/S Brgs. Includes M/S Needle Brgs.	TRK-235BN1	TRK-235BN1WS
94-92	5.7L	5	HM290/MG5/NV3500	Standard I/S & O/S Brgs.	TRK-235B	TRK-235BWS
93-92	5.7L	5	HM290/MG5/NV3500	Standard I/S & O/S Brgs. Includes M/S Needle Brgs.	TRK-235BN	TRK-235BNWS
Honda						
Accord						
05-03	2.3L	5	APG6		TRK-FH370	TRK-FH370WS
05-03	3.0L	5	ATC6		TRK-FH380	TRK-FH380WS
02-98	2.3L	5	P2A5		TRK-FH180	TRK-FH180WS1
02-98	2.3L	5	P2A8		TRK-FH180	TRK-FH180WS1
02-98	2.3L	5	P2U5		TRK-FH180	TRK-FH180WS2
97-94	2.2L	5	P2A4		TRK-FH180	TRK-FH180WS
97-94	2.2L	5	P2A5		TRK-FH180	TRK-FH180WS
97-94	2.2L	5	P2U5		TRK-FH180	TRK-FH180WS
93-92	2.2L	5	H2A5		TRK-FH180	TRK-FH180WS
93-92	2.2L	5	H2C4		TRK-FH180	TRK-FH180WS
93-92	2.2L	5	H2U4		TRK-FH180	TRK-FH180WS
93-92	2.2L	5	H2U5		TRK-FH180	TRK-FH180WS
93-92	2.2L	5	HWU4		TRK-FH180	TRK-FH180WS
91-90	2.2L	5	H2A5		TRK-FH170	TRK-FH170WS
91-90	2.2L	5	H2C4		TRK-FH170	TRK-FH170WS
91-90	2.2L	5	H2U4		TRK-FH170	TRK-FH170WS
91-90	2.2L	5	H2U5		TRK-FH170	TRK-FH170WS
91-90	2.2L	5	HWU4		TRK-FH170	TRK-FH170WS
89-86	2.0L	5	A2Q5		TRK-FH120	TRK-FH120WS
89-86	2.0L	5	A2Q6		TRK-FH120	TRK-FH120WS
89-86	2.0L	5	All		TRK-FH120	TRK-FH120WS
89-86	2.0L	5	All		TRK-FH120	TRK-FH120WS
89-86	2.0L	5	All		TRK-FH120	TRK-FH120WS
89-86	2.0L	5	All		TRK-FH120	TRK-FH120WS
89-86	2.0L	5	All		TRK-FH120	TRK-FH120WS
85-84	1.8L	5	GS		TRK-FH140	TRK-FH140WS
85-84	1.8L	5	GY		TRK-FH140	TRK-FH140WS
83-79	1.8L	5	All		TRK-FH100	TRK-FH100WS
78-75	1.6L	5	All		Obsolete	Obsolete
CR-V						
01-97	2.0L	5	SBXM	4WD	TRK-FH340	N/A
CRX						
91-88	1.5L	5	L3	6207 Diff Brgs.	TRK-FH150	TRK-FH150WS
91-88	1.6L	5	L3	6208 Diff Brgs.	TRK-FH130	TRK-FH130WS
87-84	1.3L	5	GV		TRK-FH110	TRK-FH110WS
87-84	1.5L	5	GW		TRK-FH110	TRK-FH110WS

LD Transmission

Light Duty Transmission Applications

Year	Engine	Speed	Model#	Notes	Kit	w/Synchro Rings
Honda (cont.)						
Civic						
15-12	2.4L	6	SY1M		TRK-FH500	N/A
15-06	1.8L	5	SPFM		TRK-FH490	N/A
11-06	2.0L	6	PNN3		TRK-FH500	N/A
05-02	2.0L	5	NRH3		TRK-FH460	N/A
05-02	1.3L	5	SZB		TRK-FH470	N/A
05-01	1.7L	5	SLW		TRK-FH390	N/A
00-99	1.6L DOHC	5	S4C	6208 Diff Brgs., 28x60x15 I/S Brg.	TRK-FH260	TRK-FH260WS1
00-96	1.6L SOHC	5	S40	6207 Diff Brgs.	TRK-FH150	TRK-FH150WS
00-96	1.6L SOHC	5	S40	6208 Diff Brgs., 26x58x15 I/S Brg.	TRK-FH200	TRK-FH200WS
95-92	1.5L	5	S20	6207 Diff Brgs.	TRK-FH150	TRK-FH150WS
95-92	1.6L	5	S20	6208 Diff Brgs.	TRK-FH200	TRK-FH200WS
91-88	1.5L	4	L3	6207 Diff Brgs.	TRK-FH150	TRK-FH150WS
91-88	1.5L	5	L3	6207 Diff Brgs.	TRK-FH150	TRK-FH150WS
91-88	1.6L	5	L3	6208 Diff Brgs.	TRK-FH130	TRK-FH130WS
87-84	1.5L	6	L3-SL	4WD	TRK-FH290	TRK-FH290WS
83-80	All	5	GM		TRK-FH160	Obsolete
79-73	All	5	GB		Obsolete	Obsolete
79-73	All	5	GC		Obsolete	Obsolete
79-73	All	5	GD		Obsolete	Obsolete
79-73	All	5	GE		Obsolete	Obsolete
79-73	All	5	All		Obsolete	Obsolete
Civic del Sol						
97-93	1.6L SOHC	5	S20	6208 Diff Brgs., 26x58x15 I/S Brg.	TRK-FH200	TRK-FH200WS
97-94	1.6L DOHC	5	S21	6208 Diff Brgs., 28x60x15 I/S Brg.	TRK-FH260	TRK-FH260WS1
95-93	1.5L	5	S20	6207 Diff Brgs.	TRK-FH150	TRK-FH150WS
Passport						
02-94	3.2L	5	MSG-5	4WD, Includes Transfer Case Parts	TRK-FI160	TRK-FI160WS
02-94	3.2L	5	MSG-5	2WD	TRK-FI200	TRK-FI200WS
96-94	2.6L	5	T5 World Class		TRK-5W	TRK-5WWS1
Prelude						
01-97	2.2L	5	M2U4		TRK-FH350	TRK-FH350WS
01-97	2.2L	5	M2Y4		TRK-FH360	TRK-FH360WS
96-92	2.2L SOHC	5	M2L5		TRK-FH180	TRK-FH180WS1
96-92	2.3L DOHC	5	M2S4		TRK-FH180	TRK-FH180WS1
91-90	2.0L	5	All		TRK-FH210	TRK-FH210WS
89-88	2.0L	5	All		TRK-FH240	TRK-FH240WS
89-88	2.0L	5	All		TRK-FH240	TRK-FH240WS
89-88	2.0L	5	All		TRK-FH240	TRK-FH240WS
89-88	2.0L	5	All		TRK-FH240	TRK-FH240WS
87-85	2.0L	5	A1B5		TRK-FH120	TRK-FH120WS
87-85	2.0L	5	A2K5		TRK-FH120	TRK-FH120WS
85-83	1.8L	5	GM		TRK-FH140	TRK-FH140WS
82-79	1.8L	5	All		TRK-FH100	TRK-FH100WS
Hyundai						
Accent						
99-11/95	1.5L	5	KM302		TRK-FM420	TRK-FM420WS
10/95-8/94	1.5L	5	KM302		TRK-FM260	TRK-FM260WS
Elantra						
00-12/95	1.6L, 1.8L	5	M5AF3		TRK-FM400	TRK-FM400WS
11/95-6/93	1.6L	5	KM303		TRK-FM150	TRK-FM150WS3
93-91	1.6L	5	KM303		TRK-FM150	TRK-FM150WS1

Light Duty Transmission Applications



Year	Engine	Speed	Model#	Notes	Kit	w/Synchro Rings
Hyundai (cont.)						
Excel						
94-89	1.5L	5	KM206		TRK-FM100	TRK-FM100WS
93-89	1.5L	4	KM200		TRK-FM100	TRK-FM100WS1
4/89-12/85	1.5L	4	KM160		TRK-FC110	TRK-FC110WS1
4/89-12/85	1.5L	5	KM162		TRK-FC110	TRK-FC110WS
Scoupe						
95-92	1.5L	5	KM301		TRK-FM380	TRK-FM380WS
7/92-5/90	1.5L	5	KM210		TRK-FM100	TRK-FM100WS
Sonata						
98-92	2.4L	5	KM212		TRK-FM210	TRK-FM210WS
91-89	2.0L	5	KM208		TRK-FM150	TRK-FM150WS
Infiniti						
G20						
99-90	2.0L	5	RS5F32A	Standard Differential	TRK-FN360	TRK-FN360WS
99-90	2.0L	5	RS5F32V	Limited Slip Differential	TRK-FN200	TRK-FN200WS
I30						
01-11/95	3.0L	5	RS5F50A	Standard Differential	TRK-FN370	TRK-FN370WS
01-11/95	3.0L	5	RS5F50A	Limited Slip Differential	TRK-FN380	TRK-FN380WS
International						
Truck						
85-80	All	5	T698		TRK-183	N/A
85-74	All	4	T19		TRK-BW19I	TRK-BW19IWS
80-74	All	3	T15		TRK-BW15I	TRK-BW15IWS
78-70	All	4	NP445		TRK-NP140I	N/A
75-62	All	5	T33		TRK-156	N/A
73-65	All	4	T18		TRK-BW18I	TRK-BW18IWS
73-61	All	3	T90		TRK-BW90I	TRK-BW90IWS
69-56	All	4	T98		TRK-BW98I	TRK-BW98IWS
Isuzu						
Amigo						
00-98	3.2L	5	MSG-5G		TRK-FI200	TRK-FI200WS
00-91	2.2L	5	MSG-5	4WD, 3 Pc. 1-2 Synchro Rings	TRK-FI160	TRK-FI160WS
Hombre						
00-96	2.2L	5	NV1500		TRK-1500GM	TRK-1500GMWS
I-Mark						
89-85	1.5L	5	MSG-5G		TRK-FI120	TRK-FI120WS
89-85	1.5L	5	MSG-5G	3 Pc. 1-2 Synchro Rings	TRK-FI120	TRK-FI120WS1
85-81	1.8L	4	MSG-4K		TRK-FI220	TRK-FI220WS
85-81	1.8L	5	MSG-5K		TRK-FI110	TRK-FI110WS
Impulse						
92-90	1.6L	5	MSG-5G		TRK-FI120	TRK-FI120WS
92-90	1.6L	5	MSG-5G	3 Pc. 1-2 Synchro Rings	TRK-FI120	TRK-FI120WS1
90-12/87	1.9L	5	MSG-5T	1-2 Synchro Rings 45 Teeth	TRK-FI110	TRK-FI110WS1
12/87-83	1.9L	5	MSG-5T	1-2 Synchro Rings 36 Teeth	TRK-FI110	TRK-FI110WS
Pickup						
95-91	All	5	MSG-5F	3 Pc. 1-2 Synchro Rings	TRK-FI160	TRK-FI160WS
95-91	All	5	MSG-5G	2WD	TRK-FI200	TRK-FI200WS
5/91-7/87	All	5	MSG-5F	4WD	TRK-FI130	TRK-FI130WS
87-84	All	5	MSG-5ET	4WD	TRK-FI100	TRK-FI100WS
87-81	All	4	MSG-4ET	4WD	TRK-FI180	TRK-FI180WS
87-81	All	4	MSG-4K	2WD	TRK-FI220	TRK-FI220WS
87-81	All	5	MSG-5K	1-2 Synchro Rings 36 Teeth	TRK-FI110	TRK-FI110WS
87-81	All	5	MSG-5K	1-2 Synchro Rings 45 Teeth	TRK-FI110	TRK-FI110WS1
81-76	All	4	MSG-4K	2WD	TRK-FI140	TRK-FI140WS

LD Transmission

Light Duty Transmission Applications

Year	Engine	Speed	Model#	Notes	Kit	w/Synchro Rings
Isuzu (cont.)						
Rodeo						
04-91	All	5	MSG-5F	3 Pc. 1-2 Synchro Rings	TRK-FI160	TRK-FI160WS
04-91	3.1L	5	MSG-5G	2WD	TRK-FI200	TRK-FI200WS
98-91	2.2L, 2.6L	5	T5 World Class	2WD	TRK-5W	TRK-5WWS
Stylus						
93-91	1.6L	5	MSG-5G		TRK-FI120	TRK-FI120WS
93-91	1.6L	5	MSG-5G	3 Pc. 1-2 Synchro Rings	TRK-FI120	TRK-FI120WS1
Trooper						
97-91	All	5	MSG-5F	3 Pc. 1-2 Synchro Rings	TRK-FI160	TRK-FI160WS
5/91-7/87	All	5	MSG-5F		TRK-FI130	TRK-FI130WS
87-84	All	5	MSG-5ET		TRK-FI100	TRK-FI100WS
Jeep						
All Models (82 & Earlier)						
86-82	All	4	T4J	Taper I/S Brg.	TRK-4J	TRK-4JWS
86-65	All	4	T18J		TRK-BW18J	TRK-BW18JWSO
84-80	All	4	T176		TRK-175	TRK-175WS
84-80	All	4	T177		TRK-175	TRK-175WS
84-80	All	4	T178		TRK-175	TRK-175WS
81-79	All	4	SR4J	Ball I/S Brg	TRK-BWSR4J	TRK-BWSR4JWS
80-75	All	3	T150		TRK-150J	TRK-150JWS
79-67	All	3	T15		TRK-BW15J	TRK-BW15JWS
76-68	All	3	T14		TRK-BW14J	TRK-BW14JWS
73-55	All	4	T98J		TRK-BW98J	TRK-BW98JWS
72-46	All	3	T90		TRK-BW90	TRK-BW90WS
71-65	All	3	T86		TRK-BW86JA	Obsolete
64-54	All	3	T86		TRK-BW86J	Obsolete
64-52	All	3	T85		TRK-BW85	TRK-BW85WS
45-41	All	3	T84		TRK-BW84	TRK-BW84WS
Cherokee						
01-00	4.0L	5	NV3550		TRK-NV3550	TRK-NV3550WS
00-11/5/88	2.5L	5	AX5		TRK-FT160	TRK-FT160WS
99-90	4.0L	5	AX15	Serial # 00705123 and higher	TRK-FT300	TRK-FT300WS1
90-89	4.0L	5	AX15	Serial # 00705122 and lower	TRK-FT300	TRK-FT300WS
90-11/5/88	2.5L	4	AX4	23mm Wide I/S Brg.	TRK-FT170	TRK-FT170WS
89-87	4.0L	5	BA10/AX18		TRK-FP100	TRK-FP100WS
11/4/88-86	All	5	AX5	23mm Wide I/S Brg.	TRK-FT170	TRK-FT170WS
11/4/88-84	All	4	AX4	23mm Wide I/S Brg.	TRK-FT170	TRK-FT170WS
85-84	All	4	T4J	Taper I/S Brg.	TRK-4J	TRK-4JWS
85-84	All	5	T5J		TRK-5	TRK-5WS
85-84	All	4	AX4	20mm Wide I/S Brg.	TRK-FT180	TRK-FT180WS
85-84	All	5	AX5	20mm Wide I/S Brg.	TRK-FT180	TRK-FT180WS
79-74	All	4	T18		TRK-BW18J	TRK-BW18JWS
CJ Series						
86-82	All	5	T5J		TRK-5	TRK-5WS
86-81	All	4	T177		TRK-175	TRK-175WS
1981	2.5L, 4.2L	4	SR4J	Ball I/S Brg	TRK-BWSR4J	TRK-BWSR4JWS
79-70	All	4	T18	20mm Wide I/S Brg.	TRK-BW18	TRK-BW18WS
71-57	All	4	T98		TRK-BW98	TRK-BW98WS
Comanche/ MJ						
93-90	4.0L	5	AX15	Serial # 00705123 and higher	TRK-FT300	TRK-FT300WS1
92-11/5/88	2.5L	5	AX5		TRK-FT160	TRK-FT160WS
90-89	4.0L	5	AX15	Serial # 00705122 and lower	TRK-FT300	TRK-FT300WS
90-11/5/88	2.5L	4	AX4	23mm Wide I/S Brg.	TRK-FT170	TRK-FT170WS
89-87	4.0L	5	BA10/AX18		TRK-FP100	TRK-FP100WS
11/4/88-86	All	5	AX5	23mm Wide I/S Brg.	TRK-FT170	TRK-FT170WS

LD Transmission

Light Duty Transmission Applications

Year	Engine	Speed	Model#	Notes	Kit	w/Synchro Rings
Jeep (cont.)						
Compass						
18-07	All	5	T355	FWD;	TRK-355	N/A
18-07	All	5	T355	AWD;	TRK-355A	N/A
Grand Cherokee						
94-93	4.0L	5	AX15	4WD	TRK-FT300	TRK-FT300WS1
Liberty						
09-05	3.7L	6	NSG370		TRK-FC120	TRK-FC120WS
04-02	2.4L	5	NV1500		TRK-1500D	TRK-1500DWS
04-02	3.7L	5	NV3550		TRK-235C	TRK-235CWS1
Patriot						
17-07	All	5	T355	FWD;	TRK-355	N/A
17-07	All	5	T355	AWD;	TRK-355A	N/A
Truck J10 / J20						
87-81	4.2L	4	T177		TRK-175	TRK-175WS
87-81	5.9L	4	T176		TRK-175	TRK-175WS
83-82	All	5	T5J		TRK-5	TRK-5WS
83-65	All	4	T18		TRK-BW18J	TRK-BW18JWS
64-63	All	4	T98J		TRK-BW98J	TRK-BW98JWS
Wagoneer						
79-71	All	4	T18		TRK-BW18J	TRK-BW18JWS
Wrangler						
18-05	3.8L, 4.0L	6	NSG370	Late Sintered Lining 3 Tab Synchro. Rings	TRK-FC120	TRK-FC120AWS
08-05	3.8L, 4.0L	6	NSG370	Early Bronze Synchro. Rings	TRK-FC120	TRK-FC120WS
04-01	4.0L	5	NV3550	Ball I/S Brg.	TRK-235C	TRK-235CWS1
01-00	4.0L	5	NV3550	Taper I/S Brg.	TRK-NV3550	TRK-NV3550WS
99-90	4.0L	5	AX15	Serial # 00705123 and higher	TRK-FT300	TRK-FT300WS1
02-11/5/88	2.5L	5	AX5		TRK-FT160	TRK-FT160WS
90-89	4.0L	5	AX15	Serial # 00705122 and lower	TRK-FT300	TRK-FT300WS
89-87	4.0L	5	BA10/AX18		TRK-FP100	TRK-FP100WS
11/4/88-87	All	5	AX5	23mm Wide I/S Brg.	TRK-FT170	TRK-FT170WS
Kia						
Sephia						
01-95	1.8L	5	All		TRK-FMZ150	TRK-FMZ150WS
97-94	1.6L	5	All		TRK-FMZ130	TRK-FMZ130WS
Sportage						
02-95	2.0L	5	All	4WD	TRK-FK110	TRK-FK110WS
Lexus						
ES250						
91-89	2.5L	5	E52		TRK-FT520	Obsolete
ES300						
93-91	3.0L	5	E53		TRK-FT520	TRK-FT520WS1
SC300						
97-11/91	3.0L	5	W58		TRK-FT210	TRK-FT210WS5
Lincoln						
All Car Models (82 & Earlier)						
82-81	All	4	SROD		TRK-170	TRK-170WS1
82-80	All	4	MTX4		TRK-FMZ160	TRK-FMZ160WS
82-65	All	3	Tremec	1st Synchro Ring Larger than 2nd & 3rd	TRK-150F	TRK-150FWS
82-65	All	3	Tremec		TRK-150F	TRK-150FWS1
81-78	All	4	RUG		TRK-170	TRK-170WS
76-71	All	4	ENG		TRK-F150	N/A
73-64	All	4	RUG/HEH		TRK-170A	TRK-170AWS
73-64	All	4	RUG/HEH	Max-Type Brgs.	TRK-170AHD	TRK-170AHDWS

LD Transmission

Light Duty Transmission Applications

Year	Engine	Speed	Model#	Notes	Kit	w/Synchro Rings
Lincoln (cont.)						
All Car Models (82 & Earlier) (cont.)						
70-64	All	3	T86		TRK-BW86	N/A
69-66	All	4	T10	w/o Thrust Brg. Between 2nd-3rd Gear	TRK-10W	TRK-10WWS
68-63	All	4	DAG	Includes Small Parts Kit	TRK-F140	TRK-F140WS
68-63	All	4	DAG	M/S & C/S Needles Not Included	TRK-F140A	TRK-F140AWS
67-64	All	3	HED		TRK-F130	TRK-F130WS
65-57	All	4	T10	w/ Thrust Brg. Between 2nd-3rd Gear	TRK-10E	TRK-10EWS
64-48	All	3	259		TRK-259	N/A
64-48	All	3w/OD	259		TRK-259A	N/A
Mazda						
323						
94-89	1.6L SOHC	5	G5M-R		TRK-FMZ130	TRK-FMZ130WS
94-89	1.8L DOHC	5	F5M-R		TRK-FMZ150	TRK-FMZ150WS
89-88	1.6L Turbo	5	F5M-R		TRK-FMZ150	TRK-FMZ150WS
89-88	1.6L	5	G5MX-R	4WD	Obsolete	Obsolete
88-86	1.6L	4	All		TRK-FMZ180	TRK-FMZ180WS1
88-86	1.6L	5	All		TRK-FMZ180	TRK-FMZ180WS
626						
02-88	2.0L, 2.2L	5	F5M-R, G25M-R, H5M-R		TRK-FMZ150	TRK-FMZ150WS
91-88	2.0L Turbo	5	F5M-R, G25M-R, H5M-R		TRK-FMZ170	TRK-FMZ170WS
87-83	2.0L	5	All		TRK-FMZ150	TRK-FMZ150WS
87-86	2.0L Turbo	5	F5M-R		TRK-FMZ150	TRK-FMZ150WS
82-76	All	5	All		TRK-FMZ100	TRK-FMZ100WS
929						
89-88	3.0L	5	All		TRK-FMZ210	TRK-FMZ210WS
GLC						
85-83	All	4	All		TRK-FMZ180	TRK-FMZ180WS1
85-83	All	5	All		TRK-FMZ180	TRK-FMZ180WS
82-77	All	4	All		TRK-FMZ240	TRK-FMZ240WS
82-77	All	5	All		TRK-FMZ250	TRK-FMZ250WS
MX-3						
95-93	1.6L	5	F25M-R		TRK-FMZ130	TRK-FMZ130WS
95-93	1.8L	5	G25M-R		TRK-FMZ150	TRK-FMZ150WS
1992	1.6L	5	F5M-R		TRK-FMZ130	TRK-FMZ130WS
1992	1.8L	5	G5M-R		TRK-FMZ150	TRK-FMZ150WS
MX-6						
97-88	2.2L	5	All		TRK-FMZ150	TRK-FMZ150WS
92-88	2.2L Turbo	5	All		TRK-FMZ170	TRK-FMZ170WS
Miata						
05-99	1.8L	6	Y16M-D		TRK-FMZ400	TRK-FMZ400WS
05-95	1.8L	5	M15M-D	3 Pc. 2nd Synchro Ring	TRK-FMZ300	TRK-FMZ300WS1
94-90	All	5	M15M-D		TRK-FMZ300	TRK-FMZ300WS
MPV						
91-89	2.6L	5	All		TRK-FMZ210	TRK-FMZ210WS
Navajo						
94-91	4.0L	5	M5R1		TRK-247	TRK-247WS1
Protege						
03-3/16/02	2.0L	5	G15M-R		TRK-FMZ390	TRK-FMZ390WS
03-95	1.5L, 1.6L SOHC	5	F25M-R		TRK-FMZ130	TRK-FMZ130WS
3/15/02-01	2.0L	5	G15M-R		TRK-FMZ380	TRK-FMZ380WS

Light Duty Transmission Applications



Year	Engine	Speed	Model#	Notes	Kit	w/Synchro Rings
Mazda (cont.)						
Protege (cont.)						
98-92	1.8L DOHC	5	G25M-R		TRK-FMZ150	TRK-FMZ150WS
RX-7						
95-93	1.3L Turbo	5	R15M-D		TRK-FMZ210	TRK-FMZ210WS1
91-89	1.3L	5	R5M-D	Single Ball Front C/S Brg.	TRK-FMZ120	TRK-FMZ120WS2
91-87	1.3L Turbo	5	R5M-D		TRK-FMZ210	TRK-FMZ210WS
88-86	All	5	All	Single Ball Front C/S Brg.	TRK-FMZ120	TRK-FMZ120WS1
88-86	All	5	All	Double Ball Front C/S Brg.	TRK-FMZ200	TRK-FMZ200WS1
85-81	All	5	All	Single Ball Front C/S Brg.	TRK-FMZ120	TRK-FMZ120WS
85-81	All	5	All	Double Ball Front C/S Brg.	TRK-FMZ200	TRK-FMZ200WS
80-79	All	5	All	Single Ball Front C/S Brg.	TRK-FMZ100	TRK-FMZ100WS
84-79	All	4	B4		TRK-FMZ290	TRK-FMZ290WS
80-79	All	5	All	Double Ball Front C/S Brg.	TRK-FMZ110	TRK-FMZ110WS
Truck B2000						
84-79	2.0L	4	B4		TRK-FMZ290	TRK-FMZ290WS
84-79	2.0L	5	All	Single Ball Front C/S Brg.	TRK-FMZ100	TRK-FMZ100WS
84-79	2.0L	5	All	Double Ball Front C/S Brg.	TRK-FMZ110	TRK-FMZ110WS
Truck B2200						
93-90	2.2L	5	All	Double Ball Front C/S Brg.	TRK-FMZ200	TRK-FMZ200WS2
90-86	2.2L	5	All	Single Ball Front C/S Brg.	TRK-FMZ120	TRK-FMZ120WS
90-86	2.2L	5	All	Double Ball Front C/S Brg.	TRK-FMZ200	TRK-FMZ200WS
Truck B2300						
10-94	2.3L	5	M5R1		TRK-247	TRK-247WS1
Truck B2600						
93-87	2.6L	5	All		TRK-FMZ210	TRK-FMZ210WS
Truck B3000						
08-94	3.0L	5	M5R1		TRK-247	TRK-247WS1
Truck B4000						
10-94	4.0L	5	M5R1		TRK-247	TRK-247WS1
Mercury						
All Car Models (82 & Earlier)						
82-81	All	4	SROD		TRK-170	TRK-170WS1
82-80	All	4	MTX4		TRK-FMZ160	TRK-FMZ160WS
82-65	All	3	Tremec	1st Synchro Ring Larger than 2nd & 3rd	TRK-150F	TRK-150FWS
82-65	All	3	Tremec		TRK-150F	TRK-150FWS1
81-78	All	4	RUG		TRK-170	TRK-170WS
76-71	All	4	ENG		TRK-F150	N/A
73-64	All	4	RUG/HEH		TRK-170A	TRK-170AWS
73-64	All	4	RUG/HEH	Max-Type Brgs.	TRK-170AHD	TRK-170AHDWS
70-64	All	3	T86		TRK-BW86	N/A
69-66	All	4	T10	w/o Thrust Brg. Between 2nd-3rd Gear	TRK-10W	TRK-10WWS
68-63	All	4	DAG	Includes Small Parts Kit	TRK-F140	TRK-F140WS
68-63	All	4	DAG	M/S & C/S Needles Not Included	TRK-F140A	TRK-F140AWS
67-64	All	3	HED		TRK-F130	TRK-F130WS
65-57	All	4	T10	w/ Thrust Brg. Between 2nd-3rd Gear	TRK-10E	TRK-10EWS
64-48	All	3	259		TRK-259	N/A
64-48	All	3w/OD	259		TRK-259A	N/A
Capri						
94-91	1.6L	5	CAP5		TRK-FMZ130	TRK-FMZ130WS
94-91	1.6L Turbo	5	CAP5		TRK-FMZ150	TRK-FMZ150WS
84-83	All	5	T5	LM48548/10 I/S Brg. & Cylindrical C/S Brgs.	TRK-5	TRK-5WS

LD Transmission

Light Duty Transmission Applications

Year	Engine	Speed	Model#	Notes	Kit	w/Synchro Rings
Mercury (cont.)						
Capri (cont.)						
83-81	All	5	RAP		TRK-F190	Obsolete
83-80	All	4	RUG		TRK-170	TRK-170WS
Cougar						
02-99	2.0L	5	MTX5		TRK-FMZ350	Obsolete
86-85	2.3L	5	T5 World Class		TRK-5W	TRK-5WWS
1984	2.3L	5	T5		TRK-5	TRK-5WS
LN7						
1983	All	4	MTX4		TRK-FMZ160	TRK-FMZ160WS
Lynx						
87-86	All	4	MTX4		TRK-FMZ330	TRK-FMZ330WS
84-83	All	4	MTX4		TRK-FMZ160	TRK-FMZ160WS
1985	1.6L, 1.9L	4	MTX4		TRK-FMZ160	TRK-FMZ160WS
1985	1.9L	4	MTX4		TRK-FMZ330	TRK-FMZ330WS
Mystique						
00-95	2.0L	5	MTX5		Obsolete	Obsolete
Topaz						
94-92	3.0L	5	MTX5		TRK-FMZ340	Obsolete
94-84	2.3L	5	MTX5	2 Pinion Differential	TRK-FMZ140	Obsolete
94-84	2.3L	5	MTX5	4 Pinion Differential	TRK-FMZ190	Obsolete
1984	2.0L	4	MTX4		TRK-FMZ160	TRK-FMZ160WS
Tracer						
99-97	2.0L	5	TR5C		TRK-FMZ150	TRK-FMZ150WS
96-91	1.8L	5	TR5A		TRK-FMZ150	TRK-FMZ150WS
96-91	1.9L	5	TR5B		TRK-FMZ130	TRK-FMZ130WS
89-88	1.6L	5	TR5		TRK-FMZ180	TRK-FMZ180WS
Mitsubishi						
3000GT						
99-94	3.0L Turbo	6	W6MG1	4WD	TRK-FM530	TRK-FM530WS
12/99-5/93	3.0L	5	F5M33	3 Pc. 2nd Synchro Ring	TRK-FM180	TRK-FM180WS4
4/93-6/92	3.0L	5	F5M33	3 Pc. 2nd Synchro Ring	TRK-FM180	TRK-FM180WS3
93-91	3.0L Turbo	5	W5MG1	4WD	TRK-FM250	TRK-FM250WS
5/92-5/91	3.0L	5	F5M33	3 Pc. 2nd Synchro Ring	TRK-FM180	TRK-FM180WS2
4/91-12/90	3.0L	5	F5M33		TRK-FM180	TRK-FM180WS1
Cordia						
88-83	1.8L	4	KM165	Ball Diff Brg.	TRK-FC110	TRK-FC110WS1
88-83	1.8L	5	KM162	Ball Diff Brg.	TRK-FC110	TRK-FC110WS
88-83	2.0L	5	KM163	Taper Diff Brg.	TRK-FM170	TRK-FM170WS
88-83	2.0L	8	KM166	Taper Diff Brg.	TRK-FM170	TRK-FM170WS
11/86-6/83	1.8L Turbo	5	KM163	Taper Diff Brg.	TRK-FM170	TRK-FM170WS
Eclipse						
12-00	2.4L	5	F5M42		TRK-FM450	TRK-FM450WS
04-00	3.0L	5	F5M51		TRK-FM440	TRK-FM440WS
99-96	2.4L	5	F5M31	3 Pc. 2nd Synchro Ring	TRK-FM180	TRK-FM180WS4
99-95	2.0L	5	F5MC1/NVT350/A578	FWD	TRK-350	TRK-350WS
99-94	2.0L Turbo	5	F5M33	FWD, 3 Pc. 2nd Synchro Ring	TRK-FM180	TRK-FM180WS4
99-93	2.0L Turbo	5	W5M33	4WD, 39 Teeth 3-4 Synchro Rings	TRK-FM160	TRK-FM160WS3
99-90	2.0L Turbo		KM272	Transfer Case Section Only	TRK-FM350	N/A
94-93	1.8L, 2.0L	5	F5M22	FWD, 3-4 Synchro Rings, 36 Teeth, Synchro Rev.	TRK-FM150	TRK-FM150WS2
5/93-6/92	2.0L Turbo	5	W5M33	4WD, 24 Teeth 3-4 Synchro Rings	TRK-FM160	TRK-FM160WS2
93-88	2.0L Turbo	5	F5M33	FWD, Fiber Lined 1-2 Synchro Rings, Synchro. Rev.	TRK-FM180	TRK-FM180WS
5/92-5/91	2.0L Turbo	5	W5M33	4WD, Brass Rings	TRK-FM160	TRK-FM160WS1
92-90	1.8L, 2.0L	5	F5M22	3-4 Synchro Rings 30 Teeth	TRK-FM150	TRK-FM150WS1

Light Duty Transmission Applications

Year	Engine	Speed	Model#	Notes	Kit	w/Synchro Rings
Mitsubishi (cont.)						
Expo						
94-93	1.8L	5	F5M22	FWD	TRK-FM150	TRK-FM150WS3
94-91	1.8L	5	W5M31	4WD	TRK-FM240	TRK-FM240WS
94-91	2.4L	5	F5M31	FWD	TRK-FM210	TRK-FM210WS
92-91	1.8L	5	F5M22		TRK-FM150	TRK-FM150WS1
92-91	2.4L	5	W5M33	4WD	TRK-FM290	TRK-FM290WS
Galant						
98-94	2.4L	5	F5M31	FWD	TRK-FM500	TRK-FM500WS
93-88	2.0L	5	F5M22	FWD	TRK-FM150	TRK-FM150WS1
92-91	2.0L	5	W5M33	4WD	TRK-FM160	TRK-FM160WS
92-90	2.0L	5	W5M31	4WD, Taper Diff Brg.	TRK-FM240	TRK-FM240WS
92-90	2.0L Turbo	5	F5M22	FWD	TRK-FM150	TRK-FM150WS1
92-88	2.0L Turbo	5	F5M33	FWD	TRK-FM210	TRK-FM210WS1
Lancer						
06-02	2.0L	5	F5M42		TRK-FM490	TRK-FM490WS1
Mirage						
02-97	1.5L	5	F5M41		TRK-FM480	TRK-FM480WS
02-97	1.8L	5	F5M42		TRK-FM490	TRK-FM490WS
96-93	1.5L	5	F5M21		TRK-FM460	TRK-FM460WS
96-93	1.8L	5	F5M22		TRK-FM470	TRK-FM470WS
92-89	1.6L Turbo	5	KM210		TRK-FM210	TRK-FM210WS
92-86	1.5L	4	KM200		TRK-FM100	TRK-FM100WS1
92-86	1.5L	5	KM201		TRK-FM100	TRK-FM100WS
88-86	1.6L Turbo	5	KM206		TRK-FM150	TRK-FM150WS
86-85	1.5L	4	KM161		TRK-FM390	TRK-FM390WS
86-85	1.5L	5	KM162		TRK-FC110	TRK-FC110WS
86-85	1.6L Turbo	5	KM163		TRK-FM170	TRK-FM170WS
Mighty Max						
96-87	All	5	KM145-8	4WD	TRK-FM120	TRK-FM120WS
94-90	3.0L	5	V5MT2	4WD	TRK-FM200	TRK-FM200WS
89-87	2.6L	5	KM132-9	2WD, F6307X1-1 I/S Brg	TRK-FM120	TRK-FM120WS
88-83	2.0L	5	KM132-8	2WD	TRK-FM140	TRK-FM140WS
88-83	2.0L, 2.6L	5	KM132-E	2WD	TRK-FM110	TRK-FM110WS
86-83	2.0L, 2.6L	5	KM145-1	4WD	TRK-FM110	TRK-FM110WS
86-83	2.3L Diesel	5	KM145-2	4WD	TRK-FM110	TRK-FM110WS
85-83	2.0L, 2.6L	4	KM144	4WD	TRK-FM190	TRK-FM190WS
85-81	All	4	KM130	2WD	TRK-FM190	TRK-FM190WS
Montero						
97-10/91	3.0L	5	V5MT2	4WD	TRK-FM200	TRK-FM200WS2
96-86	2.6L	5	LD42GL	2WD	TRK-FM130	TRK-FM130WS
9/91-5/89	3.0L	5	V5MT2	Fiber Lined 1-4 Gear Synchro Rings	TRK-FM200	TRK-FM200WS1
4/89-5/88	3.0L	5	V5MT2	4WD	TRK-FM200	TRK-FM200WS
3/86-1/83	2.6L	5	LD42G	6307 I/S Brg.	TRK-FM110	TRK-FM110WS
Montero Sport						
99-98	2.4L	5	R5M21		TRK-FM510	TRK-FM510WS
00-97	3.0L	5	V5MT1		TRK-FM520	TRK-FM520WS
98-97	2.4L	5	R5M21		TRK-FM500	TRK-FM500WS
Precis						
92-88	1.5L	4	KM200		TRK-FM100	TRK-FM100WS1
92-88	1.5L	5	KM201		TRK-FM100	TRK-FM100WS
4/89-1/87	1.8L	5	KM162		TRK-FC110	TRK-FC110WS

Light Duty Transmission Applications

Year	Engine	Speed	Model#	Notes	Kit	w/Synchro Rings
Mitsubishi (cont.)						
Raider						
09-06	3.7L	5	Getrag 238		Obsolete	Obsolete
Starion						
89-88	2.6L Turbo	5	KM132-M	w/ Intercooler	TRK-FM320	TRK-FM320WS
87-85	2.6L Turbo	5	KM132-G	w/ Intercooler, TMS0788 I/S Brg.	TRK-FM310	TRK-FM310WS
87-84	2.6L Turbo	5	KM132-B	w/o Intercooler	TRK-FM300	TRK-FM300WS
Tredia						
88-83	1.8L	4	KM165	Ball Diff Brg.	TRK-FC110	TRK-FC110WS1
88-83	1.8L	5	KM162	Ball Diff Brg.	TRK-FC110	TRK-FC110WS
88-83	2.0L	5	KM163	Taper Diff Brg.	TRK-FM170	TRK-FM170WS
88-83	2.0L	8	KM166	Taper Diff Brg.	TRK-FM170	TRK-FM170WS
11/86-6/83	1.8L Turbo	5	KM163	Taper Diff Brg.	TRK-FM170	TRK-FM170WS
Nissan						
1200						
77-71	All	4	F4W56A		TRK-FN310	N/A
200SX						
88-87	All	5	FS5W71S	3 Pc. 2nd Synchro Ring	TRK-FN110	TRK-FN110WS2
8/87-7/84	All	5	FS5W71M	2.440" O.D. Front C/S Ball Brg.	TRK-FN110	TRK-FN110WS1
84-80	All	5	FS5W71C	2.200" O.D. Front C/S Ball Brg.	TRK-FN100	TRK-FN100WS
79-77	All	5	FS5W63A	Taper C/S Brgs.	TRK-FN350	TRK-FN350WS
210						
93-88	All	5	FS5W71H	2 Pc. 2nd Synchro Ring	TRK-FN110	TRK-FN110WS2
82-79	All	5	FS5W60A		TRK-FN330	TRK-FN330WS
82-75	All	4	F4W60		TRK-FN320	N/A
240Z						
73-70	All	4	F4W70B		TRK-FN280	TRK-FN280WS
260Z						
80-74	All	4	F4W71B		TRK-FN230	TRK-FN230WS
80-74	All	5	FS5W71A		TRK-FN100	TRK-FN100WS
280Z						
80-74	All	4	F4W71B		TRK-FN230	TRK-FN230WS
80-74	All	5	FS5W71A		TRK-FN100	TRK-FN100WS
280ZX						
83-81	2.8L	5	FS5W71C		TRK-FN100	TRK-FN100WS
1983	2.8L Turbo	5	FS5R90A/T-5		TRK-5NA	TRK-5NAWS
300ZX						
96-91	All	5	FS5R30A	3 Pc. 2nd & 3rd Synchro Rings	TRK-FN150	TRK-FN150WS1
2/89-8/87	3.0L	5	FS5W71N	2 Pc. 2nd Synchro Ring	TRK-FN110	TRK-FN110WS2
2/89-9/86	3.0L Turbo	5	FS5R30A		TRK-FN150	TRK-FN150WS2
8/87-7/83	3.0L	5	FS5W71N		TRK-FN110	TRK-FN110WS1
86-84	3.0L Turbo	5	FS5R90A/T-5		TRK-5N	TRK-5NWS
310						
1/84-2/82	All	4	RN4F30A		TRK-FN130	TRK-FN130WS
1/84-2/82	All	5	RS5F30A		TRK-FN130	TRK-FN130WS
510, 610, 710						
81-70	All	4	F4W63		TRK-FN260	TRK-FN260WS
521/620/720 Pickup						
86-84	All	5	FS5W71C	4WD	TRK-FN110	TRK-FN110WS13
84-81	All	5	FS5W71C	2WD	TRK-FN100	TRK-FN100WS
84-81	All	5	FS5W71C	4WD	TRK-FN100	TRK-FN100WS
83-80	All	4	F4W71B	4WD	TRK-FN270	TRK-FN270WS
83-74	All	4	F4W71B	2WD	TRK-FN230	TRK-FN230WS
80-74	All	5	FS5W71A	2WD, 5th Synchro Ring Not Included	TRK-FN100	TRK-FN100WS
73-67	All	4	F4W63	2WD	TRK-FN260	TRK-FN260WS

LD Transmission

Light Duty Transmission Applications



Year	Engine	Speed	Model#	Notes	Kit	w/Synchro Rings
Nissan (cont.)						
Altima						
01-93	2.4L DOHC	5	RS5F50A		TRK-FN220	TRK-FN220WS
01-93	2.4L DOHC	5	RS5F50V	Limited Slip Differential	TRK-FN470	TRK-FN470WS
Axxess						
1990	2.4L	5	RS5F50A	Two 32008 Diff Brgs.	TRK-FN120	TRKFN120WS1
1990	2.4L	5	RS5F50A	One 32008 & One 32008J/1D-57407N Diff Brgs.	TRK-FN210	TRK-FN210WS
1990	2.4L	5	RS5F50V	4WD	TRK-FN250	TRK-FN250WS
1990	2.4L		TY10B	Transfer Case Section Only	TRK-FN500	N/A
D21 Pickup						
3/97-2/96	2.4L	5	FS5W71C	2WD	TRK-FN110	TRK-FN110WS12
3/97-1/93	2.4L	5	FS5W71C	4WD	TRK-FN190	TRK-FN190WS2
1/96-8/94	2.4L	5	FS5W71C	2WD	TRK-FN110	TRK-FN110WS11
1/96-1/92	3.0L	5	FS5R30A	2WD&4WD	TRK-FN150	TRK-FN150WS11
8/94-7/93	2.4L	5	FS5W71C	2WD	TRK-FN110	TRK-FN110WS10
1/93-1/92	2.4L	5	FS5W71C	4WD	TRK-FN190	TRK-FN190WS1
1/93-1/92	2.4L	5	FS5W71C	4WD	TRK-FN190	TRK-FN190WS1
7/93-8/89	2.4L	5	FS5W71C	2WD	TRK-FN110	TRK-FN110WS9
1/92-3/87	3.0L	5	FS5R30A	2WD&4WD	TRK-FN150	TRK-FN150WS8
1/92-6/86	2.4L	5	FS5W71C	4WD	TRK-FN190	TRK-FN190WS
89-86	All	4	F4W71C	2WD	TRK-FN270	TRK-FN110WS5
89-84	2.4L	5	FS5W71C	2WD	TRK-FN110	TRK-FN110WS8
3/87-11/85	3.0L	5	FS5R30A	2WD&4WD	TRK-FN150	TRK-FN150WS7
Frontier						
03-99	3.0L	5	FS5R30A		TRK-FN150	TRK-FN150WS11
04-98	2.4L	5	FS5W71C	2WD	TRK-FN530	TRK-FN530WS
04-98	2.4L	5	FS5W71C	4WD	TRK-FN540	TRK-FN540WS
Maxima						
06-02	3.5L	6	RS6F51A		TRK-FN580	TRK-FN580WS
00-93	3.0L	5	RS5F50A		TRK-FN370	TRK-FN370WS
00-93	3.0L	5	RS5F50V	Limited Slip Differential	TRK-FN380	TRK-FN380WS
92-91	3.0L	5	RS5F50A	Two 32008J/1D-57407N Diff Brgs.	TRK-FN220	TRK-FN220WS
90-88	3.0L	5	RS5F50A	Two 32008 Diff Brgs.	TRK-FN120	TRK-FN120WS1
90-85	3.0L	5	RS5F50A	Synchronized Rev. One 32008 & One 32008J/1D-57407N Diff Brgs.	TRK-FN210	TRK-FN210WS
86-85	3.0L	5	RS5F50A	Two 32008 Diff Brgs.	TRK-FN120	TRK-FN120WS
85-81	2.4L	5	FS5W71C		TRK-FN100	TRK-FN100WS
Pathfinder						
02-12/98	3.3L, 3.5L	5	FS5R30A		TRK-FN150	TRK-FN150WS11
12/98-10/97	3.3L	5	FS5R30A		TRK-FN150	TRK-FN150WS10
10/97-5/97	3.3L	5	FS5R30A		TRK-FN150	TRK-FN150WS9
5/97-7/92	3.0L, 3.3L	5	FS5R30A		TRK-FN150	TRK-FN150WS8
7/92-3/87	3.0L	5	FS5R30A		TRK-FN150	TRK-FN150WS7
1987	3.0L	5	FS5R30A		TRK-FN150	TRK-FN150WS6
1987	2.4L	5	FS5W71C	4WD	TRK-FN160	TRK-FN160WS
Pulsar						
90-88	1.8L	5	RS5F50A		TRK-FN120	TRK-FN120WS
90-87	1.6L SOHC	5	RS5F31A		TRK-FN140	TRK-FN140WS
88-87	1.6L DOHC	5	RS5F31A		TRK-FN440	TRK-FN440WS
86-83	1.6L SOHC	5	RS5F30A		TRK-FN130	TRK-FN130WS
85-83	1.5L Turbo	5	RS5F31A		TRK-FN140	TRK-FN140WS

LD Transmission

Light Duty Transmission Applications

Year	Engine	Speed	Model#	Notes	Kit	w/Synchro Rings
Nissan (cont.)						
Sentra						
06-02	2.5L	5	RS5F51A	SE-R	TRK-FN570	TRK-FN570WS
06-02	2.5L	6	RS6F51A	SE-R Spec V	Obsolete	Obsolete
02-00	1.8L DOHC	5	RS5F70A		Obsolete	Obsolete
01-00	2.0L DOHC	5	RS5F70A		Obsolete	Obsolete
01-00	2.0L DOHC	5	RS5F70V		TRK-FN560	TRK-FN560WS
99-91	1.6L DOHC	5	RS5F31A	Two 32010 Differential Brgs.	TRK-FN170	TRK-FN170WS
99-91	2.0L DOHC	5	RS5F32V	Uses One 32010 & One R8018 Differential Brg.	TRK-FN200	TRK-FN200WS
99-91	2.0L DOHC	5	RS5F32V	Uses Two 32010 Differential Brgs.	TRK-FN520	TRK-FN520WS
92-91	1.6L	4	RN4F31A		TRK-FN170	TRK-FN170WS
90-88	1.6L	4	RN4F31A		TRK-FN140	TRK-FN140WS
90-86	1.6L	5	RS5F31A		TRK-FN140	TRK-FN140WS
89-87	1.6L	5	RS5F31E	4WD	TRK-FN420	TRK-FN420WS
89-87	1.6L		TY10A	Transfer Case Section Only	TRK-FN430	N/A
87-82	All	4	RN4F30A		TRK-FN130	TRK-FN130WS
87-82	Diesel	4	All		TRK-FN130	TRK-FN130WS
86-82	All	5	RS5F30A		TRK-FN130	TRK-FN130WS
Stanza						
92-91	2.4L	5	RS5F50A		TRK-FN220	TRK-FN220WS
92-91	2.4L	5	RS5F50V	Limited Slip Differential	TRK-FN470	TRK-FN470WS
90-86	2.0L	5	RS5F50A		TRK-FN120	TRK-FN120WS
88-86	2.0L		TY10		Obsolete	Obsolete
88-86	2.0L	5	RS5F50A	4WD	TRK-FN450	TRK-FN450WS
86-82	2.0L	5	RS5F31A		TRK-FN140	TRK-FN140WS
Van						
88-86	2.4L	5	FS5W71V		TRK-FN110	TRK-FN110WS1
X-Terra						
07-02	2.4L	5	FS5W71C	2WD, 1Pc. 2-3 Synchro Rings	TRK-FN590	TRK-FN590WS
03-00	3.0L	5	FS5R30A		TRK-FN150	TRK-FN150WS11
9/02-10/00	2.4L	5	FS5W71C	2WD, 3Pc. 2-3 Synchro Rings	TRK-FN590	TRK-FN590WS1
10/00-5/99	2.4L	5	FS5W71C	2WD, Cylindrical Rear C/S Brg.	TRK-FN530	TRK-FN530WS
Oldsmobile						
All Car Models (82 & Earlier)						
85-66	All	3	Saginaw		TRK-301	TRK-301WS1
82-81	All	5	T5	Cylindrical C/S Brgs.	TRK-5	TRK-5WS
1982	All	4	T4		TRK-5	TRK-5WS1
82-80	All	4	MR2		TRK-FG110	Obsolete
82-74	All	4	T10W	6307 I/S Brg., 1" C/S	TRK-10WA	TRK-10WAWWS
82-74	All	4	T10W	6307 I/S Brg., 1" C/S, Max-Type Ball Brgs.	TRK-10WAHD	TRK-10WAHDWS
82-66	All	4	Saginaw		TRK-301	TRK-301WS
74-68	All	3	Tremec		TRK-150F	TRK-150FWS
74-66	All	4	M21	1" Countershaft	TRK-297A	TRK-297AWS
74-66	All	4	M21	1" Countershaft and Max-Type Brgs.	TRK-297AHD	TRK-297AHDWS
73-66	All	4	T10W	6307 I/S Brg., 7/8" C/S, w/o Thrust Brg. Between 2nd & 3rd Gears	TRK-10W	TRK-10WWS
72-66	All	3w/OD	Saginaw		TRK-301A	TRK-301AWS
71-67	All	4	M22	1" Countershaft	TRK-297A	TRK-297AWS
71-67	All	4	M22	1" Countershaft and Max-Type Brgs.	TRK-297AHD	TRK-297AHDWS
68-55	All	3w/OD	319		TRK-G110	N/A
66-62	All	4	T10	6307 I/S Brg., 7/8" C/S, w/ Thrust Brg. Between 2nd & 3rd Gears	TRK-10E	TRK-10EWS

Light Duty Transmission Applications

Year	Engine	Speed	Model#	Notes	Kit	w/Synchro Rings
Oldsmobile (cont.)						
All Car Models (82 & Earlier) (cont.)						
66-67	All	4	T10	6207 I/S Brg.	TRK-10A	TRK-10AWS
65-63	All	4	M20	7/8" Countershaft	TRK-297	TRK-297WS
65-63	All	4	M20	7/8" Countershaft and Max-Type Brgs.	TRK-297HD	TRK-297HDWS
63-62	All	4	M20	6207 I/S Brg.	TRK-297B	TRK-297BWS
54-40	All	3	Muncie 318		TRK-G100	N/A
Achieva						
97-95	2.3L, 2.4L	5	76mm Isuzu		TRK-FI210	TRK-FI210WS2
94-92	2.3L	5	76mm Isuzu	3 Pc. 1-2 Synchro Rings	TRK-FI120	TRK-FI120WS1
94-92	2.3L DOHC	5	NVT550/HM282		TRK-550	TRK-550WS
Alero						
04-00	2.2L, 2.4L	5	All		Obsolete	Obsolete
Calais						
87-85	2.5L	5	76mm Isuzu		TRK-FI120	TRK-FI120WS
Cutlass Calais						
91-88	2.5L	5	76mm Isuzu	3 Pc. 1-2 Synchro Rings	TRK-FI120	TRK-FI120WS1
91-88	2.3L	5	NVT550/HM282		TRK-550	TRK-550WS
Cutlass Supreme						
90-88	All	5	NVT550/HM282		TRK-550	TRK-550WS
Firenza						
1988	2.0L	5	76mm Isuzu	3 Pc. 1-2 Synchro Rings	TRK-FI120	TRK-FI120WS1
87-83	All	4	MR2		TRK-FG110	Obsolete
87-83	All	5	76mm Isuzu		TRK-FI120	TRK-FI120WS
1987	2.8L	5	NVT550/HM282		TRK-550	TRK-550WS
Omega						
84-83	All	4	MR2		TRK-FG110	Obsolete
Plymouth						
All Car Models (82 & Earlier)						
82-81	All	4	NP460	1-4 Synchro Rings Same Size	TRK-465	TRK-465WS2
80-75	All	4	NP833		TRK-833B	TRK-833BWS
80-70	All	3	NP230	35x80x21 I/S & O/S Brgs.	TRK-NP100	TRK-NP100WS
80-70	All	3	NP230	35x90x21 I/S & O/S Brgs.	TRK-NP100A	TRK-NP100AWS
76-74	All	3	390		TRK-150A	TRK-150AWS
74-72	All	3	NP250	14mm Wide O/S Brg.	TRK-NP110A	TRK-NP110AWS
74-72	All	3	NP250	17mm Wide O/S Brg.	TRK-NP110	TRK-NP110WS
72-64	All	4	NP833		TRK-833A	TRK-833AWS
Acclaim						
94-90	2.5L	5	NP523		TRK-568	TRK-568WS
93-91	3.0L	5	NP568		TRK-568	TRK-568WS
1989	2.5L	5	NP520		TRK-520	TRK-520WS
1989	2.5L	5	NP520	3 Pc. 2nd Synchro Ring	TRK-520	TRK-520WS1
Barracuda						
69-66		3	NP903		TRK-NP150	TRK-NP150WS
Breeze						
00-96	2.0L	5	F5MC1/NVT350/A578		TRK-350	TRK-350WS
Horizon						
90-84	All	5	NP525		TRK-465	TRK-465WS
86-84	All	4	NP460		TRK-465	TRK-465WS3
83-81	All	4	NP460	1-4 Synchro Rings Same Size	TRK-465	TRK-465WS2
1983	All	5	NP465	1-5 Synchro Rings Same Size	TRK-465	TRK-465WS1
Laser						
94-93	1.8L, 2.0L	5	F5M22	3-4 Synchro Rings 36 Teeth, Synchro Rev.	TRK-FM150	TRK-FM150WS2
94-90			KM272	Transfer Case Section Only	TRK-FM350	N/A

LD Transmission

Light Duty Transmission Applications

Year	Engine	Speed	Model#	Notes	Kit	w/Synchro Rings
Plymouth (cont.)						
Laser (cont.)						
94-90	2.0L Turbo	5	F5M33	Fiber Lined 1-2 Synchro Rings, Synchro Rev.	TRK-FM180	TRK-FM180WS
94-90	2.0L Turbo	5	W5M33	4WD, Fiber Lined Rings	TRK-FM160	TRK-FM160WS
92-90	1.8L	5	F5M22	3-4 Synchro Rings 30 Teeth	TRK-FM150	TRK-FM150WS
92-90	2.0L	5	F5M22	3-4 Synchro Rings 30 Teeth, Synchro Rev.	TRK-FM150	TRK-FM150WS1
Neon						
01-00	2.0L	5	F5MC1/NVT350/A578	66mm O.D. Rear Input/Pinion Brgs.	TRK-350A	TRK-350AWS
00-95	2.0L	5	F5MC1/NVT350/A578	63mm O.D. Rear Input/Pinion Brgs.	TRK-350	TRK-350WS
Reliant						
89-87	2.2L, 2.6L	5	NP520		TRK-520	TRK-520WS
89-87	2.2L, 2.6L	5	NP520	3 Pc. 2nd Synchro Ring	TRK-520	TRK-520WS1
86-84	2.2L, 2.6L	5	NP525		TRK-465	TRK-465WS
85-84	2.2L, 2.6L	4	NP460		TRK-465	TRK-465WS3
83-81	2.2L, 2.6L	4	NP460		TRK-465	TRK-465WS2
1983	2.2L, 2.6L	5	NP465		TRK-465	TRK-465WS1
Sapporo						
83-79	2.0L	5	KM131	6207-N M/S Front Brg.	TRK-FM140	TRK-FM140WS
83-79	2.6L	5	KM131	35BVV072 M/S Front Brg.	TRK-FM110	TRK-FM110WS
Scamp						
1983	2.2L	4	NP460		TRK-465	TRK-465WS2
Sundance						
94-90	2.2L, 2.5L	5	NP523		TRK-568	TRK-568WS
91-90	3.0L	5	NP568		TRK-568	TRK-568WS
89-87	2.2L, 2.5L	5	NP520		TRK-520	TRK-520WS
89-87	2.2L, 2.5L	5	NP520	3 Pc. 2nd Synchro Ring	TRK-520	TRK-520WS1
1987	2.2L, 2.5L	5	NP525		TRK-465	TRK-465WS
Trailduster						
81-74	All	4	NP435		TRK-127B	TRK-127BWS
79-74	All	3	NP230		TRK-NP100A	TRK-NP100AWS
Turismo						
87-84	All	5	NP525		TRK-465	TRK-465WS
86-84	All	4	NP460		TRK-465	TRK-465WS3
1983	All	4	NP460	1-4 Synchro Rings Same Size	TRK-465	TRK-465WS2
1983	All	5	NP465	1-5 Synchro Rings Same Size	TRK-465	TRK-465WS1
Valiant						
72-66	All	3	NP903		TRK-NP150	TRK-NP150WS
Pontiac						
All Car Models (82 & Earlier)						
85-66	All	3	Saginaw		TRK-301	TRK-301WS1
82-81	All	5	T5	Cylindrical C/S Brgs.	TRK-5	TRK-5WS
1982	All	4	T4		TRK-5	TRK-5WS1
82-80	All	4	MR2		TRK-FG110	Obsolete
82-74	All	4	T10W	6307 I/S Brg., 1" C/S	TRK-10WA	TRK-10WAWS
82-74	All	4	T10W	6307 I/S Brg., 1" C/S, Max-Type Ball Brgs.	TRK-10WAHD	TRK-10WAHDWS
82-66	All	4	Saginaw		TRK-301	TRK-301WS
74-68	All	3	Tremec		TRK-150F	TRK-150FWS
74-66	All	4	M21	1" Countershaft	TRK-297A	TRK-297AWS
74-66	All	4	M21	1" Countershaft and Max-Type Brgs.	TRK-297AHD	TRK-297AHDWS
73-66	All	4	T10W	6307 I/S Brg., 7/8" C/S, w/o Thrust Brg. Between 2nd & 3rd Gears	TRK-10W	TRK-10WWS

Light Duty Transmission Applications

Year	Engine	Speed	Model#	Notes	Kit	w/Synchro Rings
Pontiac (cont.)						
All Car Models (82 & Earlier) (cont.)						
72-66	All	3w/OD	Saginaw		TRK-301A	TRK-301AWS
71-67	All	4	M22	1" Countershaft	TRK-297A	TRK-297AWS
71-67	All	4	M22	1" Countershaft and Max-Type Brgs.	TRK-297AHD	TRK-297AHDWS
68-55	All	3w/OD	319		TRK-G110	N/A
66-62	All	4	T10	6307 I/S Brg., 7/8" C/S, w/ Thrust Brg. Between 2nd & 3rd Gears	TRK-10E	TRK-10EWS
66-57	All	4	T10	6207 I/S Brg.	TRK-10A	TRK-10AWS
65-63	All	4	M20	7/8" Countershaft	TRK-297	TRK-297WS
65-63	All	4	M20	7/8" Countershaft and Max-Type Brgs.	TRK-297HD	TRK-297HDWS
63-62	All	4	M20	6207 I/S Brg.	TRK-297B	TRK-297BWS
54-40	All	3	Muncie 318		TRK-G100	N/A
6000						
91-87	2.8L, 3.1L	5	NVT550/HM282		TRK-550	TRK-550WS
Fiero						
87-84	2.5L	5	76mm Isuzu		TRK-FI120	TRK-FI120WS
86-85	All	4	MR2		TRK-FG110	Obsolete
1988	2.5L	5	76mm Isuzu	3 Pc. 1-2 Synchro Rings	TRK-FI120	TRK-FI120WS1
Firebird						
02-93	3.4L, 3.8L	5	T5 World Class	Taper C/S Brgs.	TRK-5W	TRK-5WWS
02-93	5.7L	6	T56		TRK-56	TRK-56WS
92-88	5.0L, 5.7L	5	T5 World Class	Taper C/S Brgs.	TRK-5W	TRK-5WWS
87-83	5.0L	5	T5	Cylindrical C/S Brgs.	TRK-5	TRK-5WS
84-83	2.5L	4	T4		TRK-5	TRK-5WS1
G8						
2009	6.2L	6	TR-6060		TRK-6060	TRK-6060WS
Grand Am						
04-00	2.2L, 2.4L	5	All		Obsolete	Obsolete
99-95	2.3L, 2.4L	5	76mm Isuzu		TRK-FI210	TRK-FI210WS2
94-88	2.0L	5	76mm Isuzu	3 Pc. 1-2 Synchro Rings	TRK-FI120	TRK-FI120WS1
87-85	3.0L	5	NVT550/HM282		TRK-550	TRK-550WS
87-83	2.0L	5	76mm Isuzu		TRK-FI120	TRK-FI120WS
GTO						
06-04	6.0L	6	T56		TRK-56	TRK-56WS1
Phoenix						
84-83	All	4	MR2		TRK-FG110	Obsolete
Sunbird						
94-88	2.0L	5	76mm Isuzu	3 Pc. 1-2 Synchro Rings	TRK-FI120	TRK-FI120WS1
94-87	2.8L, 3.1L	5	NVT550/HM282		TRK-550	TRK-550WS
87-85	2.0L	5	76mm Isuzu		TRK-FI120	TRK-FI120WS
84-80	1.8L	4	MR2		TRK-FG110	Obsolete
Sunfire						
05-00	2.2L, 2.4L	5	All		Obsolete	Obsolete
99-95	2.2L, 2.3L	5	76mm Isuzu		TRK-FI210	TRK-FI210WS2
T1000						
88-81	Diesel	5	MSG-5K		TRK-FI110	TRK-FI110WS
86-76	1.6L	4	70mm		TRK-G120	TRK-G120WS
85-82	1.8L	5	T5	DC51932 Front C/S Brg.	TRK-5A	TRK-5AWS
Vibe						
10-03	1.8L	5	C59		TRK-FT900	TRK-FT900WS1
05-03	1.8L	6	C60		TRK-FT790	TRK-FT790WS
1/03-03	1.8L	5	C59		TRK-FT900	TRK-FT900WS

LD Transmission

Light Duty Transmission Applications

Year	Engine	Speed	Model#	Notes	Kit	w/Synchro Rings
RAM						
2500						
18-11	6.7L	6	G56		TRK-FC200	TRK-FC200WS
3500						
18-11	6.7L	6	G56		TRK-FC200	TRK-FC200WS
4500						
18-11	6.7L	6	G56		TRK-FC200	TRK-FC200WS
5500						
18-11	6.7L	6	G56		TRK-FC200	TRK-FC200WS
Saturn						
Ion						
07-03	2.2L		5		Obsolete	Obsolete
S Series						
02-91	All	5	All		TRK-FG120	TRK-FG120WS
Vue						
07-04	2.2L	5	MG3		Obsolete	Obsolete
Sterling						
825, 827						
91-87	All	5	C3		TRK-FH190	TRK-FH190WS
Suzuki						
Esteem						
02-99	1.8L	5	EST		TRK-FS160	TRK-FS160WS
99-96	1.6L	5	EST		TRK-FS110	TRK-FS110WS
Samurai						
95-86	1.3L	5	All		TRK-FS100	TRK-FS100WS
Sidekick						
98-89	All	5	All		TRK-FS130	TRK-FS130WS
Swift						
01-89	1.3L	5	All		TRK-FS110	TRK-FS110WS
Vitara						
03-99	All	5	All		TRK-FS150	TRK-FS150WS
X-90						
98-96	1.6L	5	All		TRK-FS130	TRK-FS130WS
Toyota						
4-Runner						
8/00-10/96	2.7L	5	W59		TRK-FT210	TRK-FT210WS7
8/00-11/95	3.4L	5	R150	3 Pc. 2nd Synchro Ring	TRK-FT340	TRK-FT340WS5
1/98-11/95	3.0L	5	R150	1 Pc. 2nd Synchro Ring	TRK-FT340	TRK-FT340WS3
10/96-11/95	2.4L, 2.7L	5	W59		TRK-FT210	TRK-FT210WS6
11/95-5/94	3.0L	5	R150	Changes to 30T 5th Synchro Ring	TRK-FT340	N/A
11/95-8/92	2.4L	5	W56		TRK-FT210	TRK-FT210WS5
4/94-3/94	3.0L	5	R150	Changes to Triangular Teeth on 3rd Synchro Ring	TRK-FT200	TRK-FT200WS4
5/94-4/94	3.0L	5	R150	Changes to Anti-Rotation Tabs on 1-2 Synchro Ring	TRK-FT200	N/A
3/94-4/89	3.0L	5	R150		TRK-FT200	TRK-FT200WS3
8/92-10/91	2.4L	5	W56		TRK-FT210	TRK-FT210WS4
10/91-8/84	2.4L	5	W56		TRK-FT150	TRK-FT150WS
10/91-8/84	2.4L	5	W56	I/S Brg has 21mm wide outer race and 23mm wide inner race	TRK-FT230	TRK-FT230WS
8/90-8/88	All	5	G58	Snap Ring On End of C/S	TRK-FT190	TRK-FT190WS
88-84	All	5	G52	Nut On End of C/S	TRK-FT140	TRK-FT140WS
88-84	All	5	G52	32TM03 I/S Brg,	TRK-FT130	TRK-FT130WS

Light Duty Transmission Applications



Year	Engine	Speed	Model#	Notes	Kit	w/Synchro Rings
Toyota (cont.)						
Camry						
05-02	2.4L		5		TRK-FT840	TRK-FT840WS
01-00	3.0L	5	E153		TRK-FT830	TRK-FT830WS1
01-97	2.2L	5	S51		TRK-FT880	TRK-FT880WS
99-97	3.0L	5	E153		TRK-FT830	TRK-FT830WS
96-92	2.2L	5	S51		TRK-FT330	TRK-FT330WS1
93-93	3.0L	5	E52		TRK-FT520	TRK-FT520WS1
8/93-6/91	2.5L	5	E52		TRK-FT520	Obsolete
8/92-6/91	2.0L, 2.2L	5	S51		TRK-FT330	TRK-FT330WS
6/91-2/88	2.5L	5	E52		TRK-FT530	TRK-FT530WS
91-88	2.0L	5	E50	4WD	TRK-FT540	TRK-FT540WS
6/91-4/84	2.0L, 2.2L	5	S51		TRK-FT280	TRK-FT280WS
4/84-1/83	All	5	S51		TRK-FT560	TRK-FT560WS
Celica						
05-00	1.8L	6	C60		TRK-FT790	TRK-FT790WS
01-1/2/01	1.8L	5	C56		TRK-FT810	TRK-FT810WS
03-00	1.8L	5	C56		TRK-FT810	TRK-FT810WS1
99-93	1.8L	5	C52		TRK-FT570	TRK-FT570WS
99-93	2.2L	5	S54		TRK-FT580	TRK-FT580WS
8/93-4/91	1.6L	5	C52		TRK-FT320	TRK-FT320WS2
9/93-9/89	2.2L	5	S53		TRK-FT330	TRK-FT330WS
4/91-9/89	1.6L	5	C52		TRK-FT320	TRK-FT320WS1
93-88	2.0L	5	E50	4WD	TRK-FT610	TRK-FT610WS
89-85	2.0L	5	S53		TRK-FT280	TRK-FT280WS
84-81	2.4L, 2.8L	5	W55		TRK-FT150	TRK-FT150WS
80-72	2.2L	4	W40		TRK-FT370	TRK-FT370WS
80-72	2.6L	5	W50		TRK-FT100	TRK-FT100WS
Corolla						
10-04	1.8L	5	C59		TRK-FT900	TRK-FT900WS1
2003	1.8L	5	C59		TRK-FT900	TRK-FT900WS
02-00	1.8L	5	C59		TRK-FT780	TRK-FT780WS
99-98	1.8L	5	C59		TRK-FT780	TRK-FT780WS1
97-95	1.6L, 1.8L	5	C50, C51, C52		TRK-FT590	TRK-FT590WS1
94-93	1.6L, 1.8L	5	C50, C51, C52		TRK-FT590	TRK-FT590WS
92-88	1.6L	5	E57	4WD	TRK-FT410	TRK-FT410WS
6/92-8/86	1.6L	5	C50, C51, C52		TRK-FT320	TRK-FT320WS
8/86-8/83	1.6L	5	C50, C51, C52		TRK-FT270	TRK-FT270WS
86-83	1.6L	5	T51		TRK-FT670	TRK-FT670WS
8/85-4/84	Diesel	5	C50, C51, C52		TRK-FT280	TRK-FT280WS
4/84-8/83	Diesel	5	C50, C51, C52		TRK-FT620	TRK-FT620WS
4/83-6/81	All	5	T50A		TRK-FT250	TRK-FT250WS
81-75	All	4	All		TRK-FT640	TRK-FT640WS1
81-75	All	5	K50		TRK-FT640	TRK-FT640WS
81-72	All	5	T50		TRK-FT660	TRK-FT660WS
81-71	All	4	T40		TRK-FT650	TRK-FT650WS
81-71	All	4	T41		TRK-FT650	TRK-FT650WS
75-70	All	4	All		TRK-FT630	TRK-FT630WS1
75-70	All	5	K50		TRK-FT630	TRK-FT630WS
Corona						
82-80	All	5	W55		TRK-FT150	TRK-FT150WS
80-72	All	4	W40		TRK-FT370	TRK-FT370WS
80-72	All	5	W50		TRK-FT100	TRK-FT100WS

LD Transmission

Light Duty Transmission Applications

Year	Engine	Speed	Model#	Notes	Kit	w/Synchro Rings
Toyota (cont.)						
Cressida						
87-82	All	5	W58		TRK-FT150	TRK-FT150WS
82-78	All	5	W50		TRK-FT100	TRK-FT100WS
Echo						
05-00	1.5L	5	C150		TRK-FT850	TRK-FT850WS
Landcruiser						
87-86	4.2L	4	H42		TRK-FT470	N/A
86-81	4.2L	4	H42		TRK-FT310	N/A
80-74	All	4	H41		TRK-FT290	N/A
73-58	All	3	J30		TRK-FT480	N/A
MR2						
03-00	1.8L	5	C56		TRK-FT810	TRK-FT810WS1
95-93	2.0L Turbo	5	E153		TRK-FT520	TRK-FT520WS2
95-92	2.2L	5	S54		TRK-FT330	TRK-FT330WS1
8/93-1/92	2.0L Turbo	5	E153		TRK-FT520	TRK-FT520WS1
8/92-1/90	2.2L	5	S54		TRK-FT330	TRK-FT330WS
1/92-1/90	2.0L Turbo	5	E153		TRK-FT520	Obsolete
1/90-4/88	1.6L	5	E51		TRK-FT550	TRK-FT550WS
1/90-3/88	1.6L S/C	5	E51		TRK-FT870	TRK-FT870WS
1/90-8/86	1.6L	5	C52		TRK-FT320	TRK-FT320WS
2/28/88-88	1.6L S/C	5	E51		TRK-FT870	TRK-FT870WS1
3/88-8/87	1.6L	5	E51		TRK-FT510	TRK-FT510WS
8/86-8/83	1.6L	5	C52		TRK-FT270	TRK-FT270WS
MR2 Spyder						
05-04	1.8L	6	C65		TRK-FT790	TRK-FT790WS
02-04	1.8L	5	C56M		TRK-FT810	TRK-FT810WS2
05-03	1.8L	5	C56		TRK-FT810	TRK-FT810WS
Matrix						
10-04	1.8L	5	C59		TRK-FT900	TRK-FT900WS1
05-03	1.8L	6	C60		TRK-FT790	TRK-FT790WS
2003	1.8L	5	C59		TRK-FT900	TRK-FT900WS
Paseo						
97-92	1.5L	5	C150		TRK-FT430	TRK-FT430WS2
Pickup						
12/94-8/92	2.4L	5	W55		TRK-FT210	TRK-FT210WS5
12/94-8/92	2.4L	5	W56		TRK-FT210	TRK-FT210WS5
12/94-8/88	3.0L	5	R150		TRK-FT200	TRK-FT200WS3
8/92-10/91	2.4L	5	W55		TRK-FT210	TRK-FT210WS4
8/92-10/91	2.4L	5	W56		TRK-FT210	TRK-FT210WS4
10/91-8/85	2.4L	5	W55		TRK-FT150	TRK-FT150WS
10/91-8/85	2.4L	5	W55	I/S Brg has 21mm wide outer race and 23mm wide inner race	TRK-FT230	TRK-FT230WS
10/91-84	2.4L	5	W56		TRK-FT150	TRK-FT150WS
10/91-84	2.4L	5	W56	I/S Brg has 21mm wide outer race and 23mm wide inner race	TRK-FT230	TRK-FT230WS
8/90-8/88	All	5	G58	Snap Ring On End of C/S	TRK-FT190	TRK-FT190WS
8/88-8/85	2.4L Turbo, 3.0L	5	R150		TRK-FT200	TRK-FT200WS2
8/88-8/85	2.4L Turbo, 3.0L	5	R151		TRK-FT200	TRK-FT200WS2
8/88-8/82	2.4L	5	G52	Nut On End of C/S	TRK-FT140	TRK-FT140WS
8/88-8/82	2.4L	5	G52	32TM03 I/S Brg,	TRK-FT130	TRK-FT130WS
86-74	All	5	W50		TRK-FT100	TRK-FT100WS
86-71	All	4	W40		TRK-FT370	TRK-FT370WS
84-80	All	4	L45		TRK-FT120	TRK-FT120WS

Light Duty Transmission Applications



Year	Engine	Speed	Model#	Notes	Kit	w/Synchro Rings
Toyota (cont.)						
Pickup (cont.)						
84-80	All	4	L45	032-2 I/S Brg	TRK-FT220	TRK-FT220WS
84-80	All	4	L45	63/32 I/S Brg.	TRK-FT110	TRK-FT110WS
84-80	All	5	L52		TRK-FT120	TRK-FT120WS
84-80	All	5	L52	032-2 I/S Brg	TRK-FT220	TRK-FT220WS
84-80	All	5	L52	63/32 I/S Brg.	TRK-FT110	TRK-FT110WS
80-74	All	4	L43	0.75" Countershaft	TRK-FT350	TRK-FT350WS
74-72	All	4	L42	0.69" Countershaft	TRK-FT450	TRK-FT450WS
11/71-69	All	4	L40	C/S Needles Not Included	TRK-FT460	TRK-FT460WS
Previa						
97-90	2.4L	5			TRK-FT190	TRK-FT190WS
RAV4						
05-01	2.0L	5	E352	FWD	TRK-FT890	TRK-FT890WS
05-01	2.0L	5	E352F	4WD	TRK-FT800	TRK-FT800WS
00-96	2.0L	5	All	4WD	TRK-FT410	TRK-FT410WS1
Solara						
08-04	2.4L	5	All		TRK-FT840	TRK-FT840WS
01-99	2.2L	5	S51		TRK-FT880	TRK-FT880WS
1999	3.0L	5	E153		TRK-FT830	TRK-FT830WS
Starlet						
84-83	1.3L	4	All		TRK-FT710	TRK-FT710WS1
84-81	1.3L	5	K50		TRK-FT710	TRK-FT710WS
Supra						
98-93	3.0L	5	W58	21mm Wide M/S Front Brg.	TRK-FT210	TRK-FT210WS4
93-85	3.0L Turbo	5	R154	23mm Wide M/S Front Brg.	TRK-FT200	TRK-FT200WS
93-86	3.0L	5	W58		TRK-FT150	TRK-FT150WS
T100						
96-94	3.4L	5	R150		TRK-FT340	TRK-FT340WS3
95-10/93	2.7L	5	W56		TRK-FT210	TRK-FT210WS6
8/94-4/94	3.0L	5	R150		TRK-FT200	TRK-FT200WS5
4/94-3/93	3.0L	5	R150		TRK-FT200	TRK-FT200WS4
93-93	3.0L	5	R150		TRK-FT200	TRK-FT200WS3
Tacoma						
15-05	2.7L, 4.0L	5	R155F		TRK-FT980	TRK-FT980WS
15-05	2.7L, 4.0L	5	R155		TRK-FT980	TRK-FT980WS
04-00	3.4L	5	R150	4WD	TRK-FT340	TRK-FT340WS6
7/01-10/96	2.4L, 2.7L	5	W59		TRK-FT210	TRK-FT210WS7
01-95	2.4L, 2.7L	5	W59		TRK-FT210	TRK-FT210WS5
04-95	3.4L	5	R150	2WD	TRK-FT340	TRK-FT340WS7
9/00-4/96	3.4L	5	R150	4WD	TRK-FT340	TRK-FT340WS5
10/96-95	2.4L, 2.7L	5	W59		TRK-FT210	TRK-FT210WS6
96-95	3.4L	5	R150		TRK-FT340	TRK-FT340WS4
98-6/30/98	2.4L, 2.7L	5	W59	2WD	TRK-FT210	TRK-FT210WS9
98-6/30/98	2.4L, 2.7L	5	W59	4WD	TRK-FT210	TRK-FT210WS8
Tercel						
98-94	1.5L	5	C151		TRK-FT430	TRK-FT430WS2
96-86	1.5L	4	C140		TRK-FT430	TRK-FT430WS1
9/94-8/86	1.5L	5	C150		TRK-FT430	TRK-FT430WS
88-83	1.5L	6	Z52F, Z54F	4WD	TRK-FT700	TRK-FT700WS
88-10/82	1.5L	5	Z51, Z52, Z53		TRK-FT690	TRK-FT690WS1
88-80	1.5L		Front Diff. Section	FWD	TRK-FT730	N/A
86-80	1.5L	4	Z41, Z44, Z46		TRK-FT680	TRK-FT680WS
82-80	1.5L	5	Z51, Z52, Z53	4WD	TRK-FT690	TRK-FT690WS
Tundra						
04-99	3.4L	5	R150	2WD	TRK-FT340	TRK-FT340WS6
Van						
89-83	All	5	G53	Nut On End of C/S	TRK-FT440	TRK-FT440WS

LD Transmission

Light Duty Transmission Rebuild Kits



TRK-247		
Position	Part Number	Qty
Input Shaft Brg.	ZT1047	1
Mainshaft Pilot Brg.	ZN1044	1
Mainshaft Thrust Brg.	ZN1028	1
Mainshaft Front Brg.	30207	1
Mainshaft Rear Brg.	ZB1060	1
Countershaft Front Brg.	ZC1021	1
Countershaft Ctr. Brg.	ZC1033	1
Countershaft Rear Brg.	304L	1
Input Shaft Seal	1990 (27x43)	1
Input Shaft Oil Ring	BZ3541E	1
Input Shaft Oil Baffle	ZM1014	1
Output Shaft Seal	14900 (1.500x2.372)	1
Output Shaft Seal	1981 (30x45)	1
Expansion Plug	ZM1013	3
Shift Socket	ZM1008	2
Gasket Set	GT247	1
Top Cover Pins	M50P1	2
Top Cover Gasket	GT247R	1

TRK-247WS		
Position	Part Number	Qty
Input Shaft Brg.	ZT1047	1
Mainshaft Pilot Brg.	ZN1044	1
Mainshaft Thrust Brg.	ZN1028	1
Mainshaft Front Brg.	30207	1
Mainshaft Rear Brg.	ZB1060	1
Countershaft Front Brg.	ZC1021	1
Countershaft Ctr. Brg.	ZC1033	1
Countershaft Rear Brg.	304L	1
Input Shaft Seal	1990 (27x43)	1
Input Shaft Oil Ring	BZ3541E	1
Input Shaft Oil Baffle	ZM1014	1
Output Shaft Seal	14900 (1.500x2.372)	1
Output Shaft Seal	1981 (30x45)	1
Expansion Plug	ZM1013	3
Shift Socket	ZM1008	2
Gasket Set	GT247	1
Top Cover Pins	M50P1	2
Top Cover Gasket	GT247R	1
1st, 2nd, 3rd & 4th Gear	ZSY1054	4
Synchro Ring		
5th Gear Synchro Ring	ZSY1055	1
Rev. Gear Synchro Ring	ZSY1077	1

TRK-247WS1		
Position	Part Number	Qty
Input Shaft Brg.	ZT1047	1
Mainshaft Pilot Brg.	ZN1044	1
Mainshaft Thrust Brg.	ZN1028	1
Mainshaft Front Brg.	30207	1
Mainshaft Rear Brg.	ZB1060	1
Countershaft Front Brg.	ZC1021	1
Countershaft Ctr. Brg.	ZC1033	1
Countershaft Rear Brg.	304L	1
Input Shaft Seal	1990 (27x43)	1
Input Shaft Oil Ring	BZ3541E	1
Input Shaft Oil Baffle	ZM1014	1
Output Shaft Seal	14900 (1.500x2.372)	1
Output Shaft Seal	1981 (30x45)	1
Expansion Plug	ZM1013	3
Shift Socket	ZM1008	2
Gasket Set	GT247	1
Top Cover Pins	M50P1	2
Top Cover Gasket	GT247R	1
1st, 2nd, 3rd & 4th Gear	ZSY1054	4
Synchro Ring		
5th Gear Synchro Ring	ZSY1057	1
Rev. Gear Synchro Ring	ZSY1058	1

TRK-248		
Position	Part Number	Qty
Input Shaft Brg.	ZT1087	1
Mainshaft Pilot Brg.	ZN1034	1
Mainshaft Thrust Brg.	ZN1035	1
Mainshaft Center Brg.	ZT1088	1
Mainshaft Rear Brg.	ZB1061	1
Countershaft Front Brg.	ZC1010	1
Countershaft Ctr. Brg.	ZC1023	1
Countershaft Rear Brg.	304L	1
Input Shaft Seal	223012 (30x44)	1
Input Shaft Oil Baffle	ZM1015	1
Input Shaft Oil Ring	BZ3421E	1
Output Shaft Seal	14900 (1.500x2.372)	1
Output Shaft Seal	223608 (36x42)	1
Gasket Set	GT248	1
Top Cover Gasket	GT248R	1
Top Cover Pins	M50P1	2
Expansion Plug	ZM1013	4
Shift Socket	ZM1008	2

TRK-248WS		
Position	Part Number	Qty
Input Shaft Brg.	ZT1087	1
Mainshaft Pilot Brg.	ZN1034	1
Mainshaft Thrust Brg.	ZN1035	1
Mainshaft Center Brg.	ZT1088	1
Mainshaft Rear Brg.	ZB1061	1
Countershaft Front Brg.	ZC1010	1
Countershaft Ctr. Brg.	ZC1023	1
Countershaft Rear Brg.	304L	1
Input Shaft Seal	223012 (30x44)	1
Input Shaft Oil Baffle	ZM1015	1
Input Shaft Oil Ring	BZ3421E	1
Output Shaft Seal	14900 (1.500x2.372)	1
Output Shaft Seal	223608 (36x42)	1
Gasket Set	GT248	1
Top Cover Gasket	GT248R	1
Top Cover Pins	M50P1	2
Expansion Plug	ZM1013	4
Shift Socket	ZM1008	2
1st, 2nd, 3rd & 4th Gear	ZSY1059	4
Synchro Ring		
5th Gear Synchro Ring	ZSY1054	1
Rev. Gear Synchro Ring	ZSY1056	1

TRK-248WS1		
Position	Part Number	Qty
Input Shaft Brg.	ZT1087	1
Mainshaft Pilot Brg.	ZN1034	1
Mainshaft Thrust Brg.	ZN1035	1
Mainshaft Center Brg.	ZT1088	1
Mainshaft Rear Brg.	ZB1061	1
Countershaft Front Brg.	ZC1010	1
Countershaft Ctr. Brg.	ZC1023	1
Countershaft Rear Brg.	304L	1
Input Shaft Seal	223012 (30x44)	1
Input Shaft Oil Baffle	ZM1015	1
Input Shaft Oil Ring	BZ3421E	1
Output Shaft Seal	14900 (1.500x2.372)	1
Output Shaft Seal	223608 (36x42)	1
Gasket Set	GT248	1
Top Cover Gasket	GT248R	1
Top Cover Pins	M50P1	2
Expansion Plug	ZM1013	4
Shift Socket	ZM1008	2
1st, 2nd, 3rd & 4th Gear	ZSY1059	4
Synchro Ring		
5th Gear Synchro Ring	ZSY1060	1
Rev. Gear Synchro Ring	ZSY1061	1

TRK-300ZF		
Position	Part Number	Qty
Input Shaft Brg.	28580-28521	1
Mainshaft Pilot Brg.	JH13349	1
Output Shaft Brg.	J28573-28521	1
Countershaft Front Brg.	2580-2520	1
Countershaft Rear Brg.	2580-2520	1
Front Brg. Retainer	ZM1004	1
O-Ring		
Input Shaft Seal	3771 (35x50)	1
Input Shaft Seal	14703	1
Oil Baffle	E7TZ7040A	1
Oil Ring	F4TZ7046A	1
Output Shaft Seal	225010 (50x65)	1
Output Shaft Seal	15803 (40x52)	1
Gasket Set	GT300ZF	1
Sealing Cap (Small)	ZM1035	4
Sealing Cap (Large)	ZM1036	3
Mainshaft 1st Gear Brg.	ZN1055	1
Mainshaft 3rd Gear Brg.	ZN1057	1
Mainshaft 3rd Gear Brg.	ZN1056	1
Inner Race		
Mainshaft 2nd Gear Brg.	ZN1057	1
Mainshaft 5th Gear Brg.	ZN1058	1
Mainshaft Rev. Gear	ZN1055	1
Needle Brg.		
Rev. Idler Gear Brg.	ZN1059	2
Shift Rail Brg.	ZN1060	2

TRK-300ZF/1		
Position	Part Number	Qty
Input Shaft Brg.	28580-28521	1
Mainshaft Pilot Brg.	JH13349	1
Output Shaft Brg.	J28573-28521	1
Countershaft Front Brg.	2580-2520	1
Countershaft Rear Brg.	2580-2520	1
Front Brg. Retainer	ZM1004	1
O-Ring		
Input Shaft Seal	3771 (35x50)	1
Input Shaft Seal	14703	1
Oil Baffle	E7TZ7040A	1
Oil Ring	F4TZ7046A	1
Output Shaft Seal	225010 (50x65)	1
Output Shaft Seal	15803 (40x52)	1
Gasket Set	GT300ZF	1
Sealing Cap (Small)	ZM1035	4
Sealing Cap (Large)	ZM1036	3

TRK-300ZF/1WS		
Position	Part Number	Qty
Input Shaft Brg.	28580-28521	1
Mainshaft Pilot Brg.	JH13349	1
Output Shaft Brg.	J28573-28521	1
Countershaft Front Brg.	2580-2520	1
Countershaft Rear Brg.	2580-2520	1
Front Brg. Retainer	ZM1004	1
O-Ring		
Input Shaft Seal	3771 (35x50)	1
Input Shaft Seal	14703	1
Oil Baffle	E7TZ7040A	1
Oil Ring	F4TZ7046A	1
Output Shaft Seal	225010 (50x65)	1
Output Shaft Seal	15803 (40x52)	1
Gasket Set	GT300ZF	1
Sealing Cap (Small)	ZM1035	4
Sealing Cap (Large)	ZM1036	3
1st Gear Synchro Ring	ZSY1198	1
2nd Gear Synchro Ring	ZSY1198	1
3rd Gear Synchro Ring	ZSY1199	1
4th Gear Synchro Ring	ZSY1199	1
5th Gear Synchro Ring	ZSY1199	1
Rev. Gear Synchro Ring	ZSY1200	1

LD Transmission

Light Duty Transmission Rebuild Kits



TRK-300ZF/1WS1		
Position	Part Number	Qty
Input Shaft Brg.	28580-28521	1
Mainshaft Pilot Brg.	JH13349	1
Output Shaft Brg.	J28573-28521	1
Countershaft Front Brg.	2580-2520	1
Countershaft Rear Brg.	2580-2520	1
Front Brg. Retainer	ZM1004	1
O-Ring		
Input Shaft Seal	3771 (35x50)	1
Input Shaft Seal	14703	1
Oil Baffle	E7TZ7040A	1
Oil Ring	F4TZ7046A	1
Output Shaft Seal	225010 (50x65)	1
Output Shaft Seal	15803 (40x52)	1
Gasket Set	GT300ZF	1
Sealing Cap (Small)	ZM1035	4
Sealing Cap (Large)	ZM1036	3
1st Gear Synchro Ring	ZSY1203	1
2nd Gear Synchro Ring	ZSY1203	1
3rd Gear Synchro Ring	ZSY1204	1
4th Gear Synchro Ring	ZSY1204	1
5th Gear Synchro Ring	ZSY1204	1
Rev. Gear Synchro Ring	ZSY1205	1

TRK-300ZFB		
Position	Part Number	Qty
Input Shaft Brg.	JLM704649-JLM704610	1
Output Shaft Brg.	NP043905-NP547779	1
Input Shaft Seal	226530 (65x90)	1
Output Shaft Seal	75X100X12	1
O-Ring	ZM1004	1
Adapter Gasket	GTCNP1	1

TRK-300ZBDL		
Position	Part Number	Qty
Input Shaft Brg.	JLM506849-JLM506811	1
Output Shaft Brg.	NP043905-NP547779	1
Input Shaft Seal	75X100X12	1
Output Shaft Seal	75X100X12	1
O-Ring	ZM1004	1
Adapter Gasket	GTCNP1	1

TRK-300ZFS		
Position	Part Number	Qty
Input Shaft Brg.	28580-28521	1
Mainshaft Pilot Brg.	JH13349	1
Output Shaft Brg.	J28573-28521	1
Countershaft Front Brg.	2580-2520	1
Countershaft Rear Brg.	2580-2520	1
Front Brg. Retainer	ZM1004	1
O-Ring		
Input Shaft Seal	3771 (35x50)	1
Input Shaft Seal	14703	1
Oil Baffle	E7TZ7040A	1
Oil Ring	F4TZ7046A	1
Output Shaft Seal	225010 (50x65)	1
Output Shaft Seal	15803 (40x52)	1
Gasket Set	GT300ZF	1
Sealing Cap (Small)	ZM1035	4
Sealing Cap (Large)	ZM1036	3
Mainshaft 1st Gear Brg.	ZN1055	1
Mainshaft 3rd Gear Brg.	ZN1057	1
Mainshaft 3rd Gear Brg.	ZN1056	1
Inner Race		
Mainshaft 2nd Gear Brg.	ZN1057	1
Mainshaft 5th Gear Brg.	ZN1058	1
Mainshaft Rev. Gear	ZN1055	1
Needle Brg.		
Rev. Idler Gear Brg.	ZN1059	2
Shift Rail Brg.	ZN1060	2
1st Gear Synchro Ring	ZSY1198	1
2nd Gear Synchro Ring	ZSY1198	1
3rd Gear Synchro Ring	ZSY1199	1
4th Gear Synchro Ring	ZSY1199	1
5th Gear Synchro Ring	ZSY1199	1
Rev. Gear Synchro Ring	ZSY1200	1

TRK-300ZFS1		
Position	Part Number	Qty
Input Shaft Brg.	28580-28521	1
Mainshaft Pilot Brg.	JH13349	1
Output Shaft Brg.	J28573-28521	1
Countershaft Front Brg.	2580-2520	1
Countershaft Rear Brg.	2580-2520	1
Front Brg. Retainer	ZM1004	1
O-Ring		
Input Shaft Seal	3771 (35x50)	1
Input Shaft Seal	14703	1
Oil Baffle	E7TZ7040A	1
Oil Ring	F4TZ7046A	1
Output Shaft Seal	225010 (50x65)	1
Output Shaft Seal	15803 (40x52)	1
Gasket Set	GT300ZF	1
Sealing Cap (Small)	ZM1035	4
Sealing Cap (Large)	ZM1036	3
Mainshaft 1st Gear Brg.	ZN1055	1
Mainshaft 3rd Gear Brg.	ZN1057	1
Mainshaft 3rd Gear Brg.	ZN1056	1
Inner Race		
Mainshaft 2nd Gear Brg.	ZN1057	1
Mainshaft 5th Gear Brg.	ZN1058	1
Mainshaft Rev. Gear	ZN1055	1
Needle Brg.		
Rev. Idler Gear Brg.	ZN1059	2
Shift Rail Brg.	ZN1060	2
1st Gear Synchro Ring	ZSY1203	1
2nd Gear Synchro Ring	ZSY1203	1
3rd Gear Synchro Ring	ZSY1204	1
4th Gear Synchro Ring	ZSY1204	1
5th Gear Synchro Ring	ZSY1204	1
Rev. Gear Synchro Ring	ZSY1205	1

TRK-4500D		
Position	Part Number	Qty
Input Shaft Brg.	ZT1010-ZT1009	1
Mainshaft Pilot Brg.	ZN1003	1
Mainshaft Thrust Brg.	ZN1013	1
Mainshaft Rear Brg.	M804049-M804010	1
Ext. Housing Brg.	B5020	1
Countershaft Front Brg.	ZT1006-ZT1005	1
Countershaft Rear Brg.	ZT1008-ZT1007	1
Input Shaft Seal	714655 (1.375x1.981)	1
Output Shaft Seal	7300S (1.685x2.500)	1
Output Shaft Seal	4741 (2.200x3.022)	1
Output Shaft Seal	710058 (1.937x2.562)	1
Countershaft Plug	ZM1005	1
Fork Pads	4219073	1
Fork Pads	4167969	2
Transfer Case Adapter	GTCNP1	1
Gasket		
PTO Cover Gasket	GTPTO55	2

TRK-4500DN		
Position	Part Number	Qty
Input Shaft Brg.	ZT1010-ZT1009	1
Mainshaft Pilot Brg.	ZN1003	1
Mainshaft Thrust Brg.	ZN1013	1
Mainshaft Rear Brg.	M804049-M804010	1
Ext. Housing Brg.	B5020	1
Countershaft Front Brg.	ZT1006-ZT1005	1
Countershaft Rear Brg.	ZT1008-ZT1007	1
Input Shaft Seal	714655 (1.375x1.981)	1
Output Shaft Seal	7300S (1.685x2.500)	1
Output Shaft Seal	4741 (2.200x3.022)	1
Output Shaft Seal	710058 (1.937x2.562)	1
Countershaft Plug	ZM1005	1
Fork Pads	4219073	1
Fork Pads	4167969	2
Transfer Case Adapter	GTCNP1	1
Gasket		
PTO Cover Gasket	GTPTO55	2
Mainshaft 1st & 2nd Gear Needle Brg.	ZN1005	2
Mainshaft 3rd Gear Needle Brg.	ZN1006	1
Mainshaft Rev. Gear Needle Brg.	ZN1004	1
Countershaft 5th Gear Needle Brg.	ZN1010	1
Idler Gear Brg.	ZN1007	2

TRK-4500DN1		
Position	Part Number	Qty
Input Shaft Brg.	ZT1010-ZT1009	1
Mainshaft Pilot Brg.	ZN1003	1
Mainshaft Thrust Brg.	ZN1013	1
Mainshaft Rear Brg.	M804049-M804010	1
Ext. Housing Brg.	B5020	1
Countershaft Front Brg.	ZT1006-ZT1005	1
Countershaft Rear Brg.	ZT1008-ZT1007	1
Input Shaft Seal	714655 (1.375x1.981)	1
Output Shaft Seal	7300S (1.685x2.500)	1
Output Shaft Seal	4741 (2.200x3.022)	1
Output Shaft Seal	710058 (1.937x2.562)	1
Countershaft Plug	ZM1005	1
Fork Pads	4219073	1
Fork Pads	4167969	2
Transfer Case Adapter	GTCNP1	1
Gasket		
PTO Cover Gasket	GTPTO55	2
Mainshaft 1st & 2nd Gear Needle Brg.	ZN1005	2
Mainshaft 3rd Gear Needle Brg.	ZN1006	1
Mainshaft Rev. Gear Needle Brg.	ZN1004	1
Countershaft 5th Gear Needle Brg.	ZN1010	1
Idler Gear Brg.	ZN1214	1

LD Transmission

Light Duty Transmission Rebuild Kits

TRK-4500DN1SPK			TRK-4500DN1WS			TRK-4500DN1SPKWS		
Position	Part Number	Qty	Position	Part Number	Qty	Position	Part Number	Qty
Input Shaft Brg.	ZT1010-ZT1009	1	Input Shaft Brg.	ZT1010-ZT1009	1	Input Shaft Brg.	ZT1010-ZT1009	1
Mainshaft Pilot Brg.	ZN1003	1	Mainshaft Pilot Brg.	ZN1003	1	Mainshaft Pilot Brg.	ZN1003	1
Mainshaft Thrust Brg.	ZN1013	1	Mainshaft Thrust Brg.	ZN1013	1	Mainshaft Thrust Brg.	ZN1013	1
Mainshaft Rear Brg.	M804049-M804010	1	Mainshaft Rear Brg.	M804049-M804010	1	Mainshaft Rear Brg.	M804049-M804010	1
Ext. Housing Brg.	B5020	1	Ext. Housing Brg.	B5020	1	Ext. Housing Brg.	B5020	1
Countershaft Front Brg.	ZT1006-ZT1005	1	Countershaft Front Brg.	ZT1006-ZT1005	1	Countershaft Front Brg.	ZT1006-ZT1005	1
Countershaft Rear Brg.	ZT1008-ZT1007	1	Countershaft Rear Brg.	ZT1008-ZT1007	1	Countershaft Rear Brg.	ZT1008-ZT1007	1
Input Shaft Seal	714655 (1.375x1.981)	1	Input Shaft Seal	714655 (1.375x1.981)	1	Input Shaft Seal	714655 (1.375x1.981)	1
Output Shaft Seal	7300S (1.685x2.500)	1	Output Shaft Seal	7300S (1.685x2.500)	1	Output Shaft Seal	7300S (1.685x2.500)	1
Output Shaft Seal	4741 (2.200x3.022)	1	Output Shaft Seal	4741 (2.200x3.022)	1	Output Shaft Seal	4741 (2.200x3.022)	1
Output Shaft Seal	710058 (1.937x2.562)	1	Output Shaft Seal	710058 (1.937x2.562)	1	Output Shaft Seal	710058 (1.937x2.562)	1
Countershaft Plug	ZM1005	1	Countershaft Plug	ZM1005	1	Countershaft Plug	ZM1005	1
Fork Pads	4219073	1	Fork Pads	4219073	1	Fork Pads	4219073	1
Fork Pads	4167969	2	Fork Pads	4167969	2	Fork Pads	4167969	2
Transfer Case Adapter Gasket	GTCNP1	1	Transfer Case Adapter Gasket	GTCNP1	1	Transfer Case Adapter Gasket	GTCNP1	1
PTO Cover Gasket	GTPTO55	2	PTO Cover Gasket	GTPTO55	2	PTO Cover Gasket	GTPTO55	2
Mainshaft 1st & 2nd Gear Needle Brg.	ZN1005	2	Mainshaft 1st & 2nd Gear Needle Brg.	ZN1005	2	Mainshaft 1st & 2nd Gear Needle Brg.	ZN1005	2
Mainshaft 3rd Gear Needle Brg.	ZN1006	1	Mainshaft 3rd Gear Needle Brg.	ZN1006	1	Mainshaft 3rd Gear Needle Brg.	ZN1006	1
Mainshaft Rev. Gear Needle Brg.	ZN1004	1	Mainshaft Rev. Gear Needle Brg.	ZN1004	1	Mainshaft Rev. Gear Needle Brg.	ZN1004	1
Countershaft 5th Gear Needle Brg.	ZN1010	1	Countershaft 5th Gear Needle Brg.	ZN1010	1	Countershaft 5th Gear Needle Brg.	ZN1010	1
Idler Gear Brg.	ZN1214	1	Idler Gear Brg.	ZN1214	1	Idler Gear Brg.	ZN1007	2
Small Parts Kit	SPK4500	1	1st & 2nd Gear Synchro Ring	ZSY1115	2	1st & 2nd Gear Synchro Ring	ZSY1115	2
TRK-4500DN1SPKWS			TRK-4500DN1WS			TRK-4500DN1SPKWS		
Position	Part Number	Qty	Position	Part Number	Qty	Position	Part Number	Qty
Input Shaft Brg.	ZT1010-ZT1009	1	3rd & 4th Gear Synchro Ring	ZSY1116	2	3rd & 4th Gear Synchro Ring	ZSY1116	2
Mainshaft Pilot Brg.	ZN1003	1	5th & Rev Gear Synchro Ring	ZSY1114	2	5th & Rev Gear Synchro Ring	ZSY1114	2
Mainshaft Thrust Brg.	ZN1013	1	TRK-4500DN1SPK			TRK-4500DNWS		
Mainshaft Rear Brg.	M804049-M804010	1	Position	Part Number	Qty	Position	Part Number	Qty
Ext. Housing Brg.	B5020	1	Input Shaft Brg.	ZT1010-ZT1009	1	Input Shaft Brg.	ZT1010-ZT1009	1
Countershaft Front Brg.	ZT1006-ZT1005	1	Mainshaft Pilot Brg.	ZN1003	1	Mainshaft Pilot Brg.	ZN1003	1
Countershaft Rear Brg.	ZT1008-ZT1007	1	Mainshaft Thrust Brg.	ZN1013	1	Mainshaft Thrust Brg.	ZN1013	1
Input Shaft Seal	714655 (1.375x1.981)	1	Mainshaft Rear Brg.	M804049-M804010	1	Mainshaft Rear Brg.	M804049-M804010	1
Output Shaft Seal	7300S (1.685x2.500)	1	Ext. Housing Brg.	B5020	1	Ext. Housing Brg.	B5020	1
Output Shaft Seal	4741 (2.200x3.022)	1	Countershaft Front Brg.	ZT1006-ZT1005	1	Countershaft Front Brg.	ZT1006-ZT1005	1
Output Shaft Seal	710058 (1.937x2.562)	1	Countershaft Rear Brg.	ZT1008-ZT1007	1	Countershaft Front Brg.	ZT1006-ZT1005	1
Countershaft Plug	ZM1005	1	Input Shaft Seal	714655 (1.375x1.981)	1	Countershaft Rear Brg.	ZT1008-ZT1007	1
Fork Pads	4219073	1	Output Shaft Seal	7300S (1.685x2.500)	1	Countershaft Rear Brg.	ZT1008-ZT1007	1
Fork Pads	4167969	2	Output Shaft Seal	4741 (2.200x3.022)	1	Input Shaft Seal	714655 (1.375x1.981)	1
Transfer Case Adapter Gasket	GTCNP1	1	Output Shaft Seal	710058 (1.937x2.562)	1	Output Shaft Seal	7300S (1.685x2.500)	1
PTO Cover Gasket	GTPTO55	2	Countershaft Plug	ZM1005	1	Output Shaft Seal	4741 (2.200x3.022)	1
Mainshaft 1st & 2nd Gear Needle Brg.	ZN1005	2	Fork Pads	4219073	1	Output Shaft Seal	710058 (1.937x2.562)	1
Mainshaft 3rd Gear Needle Brg.	ZN1006	1	Fork Pads	4167969	2	Countershaft Plug	ZM1005	1
Mainshaft Rev. Gear Needle Brg.	ZN1004	1	Transfer Case Adapter Gasket	GTCNP1	1	Fork Pads	4219073	1
Countershaft 5th Gear Needle Brg.	ZN1010	1	PTO Cover Gasket	GTPTO55	2	Fork Pads	4167969	2
Idler Gear Brg.	ZN1214	1	Mainshaft 1st & 2nd Gear Needle Brg.	ZN1005	2	Transfer Case Adapter Gasket	GTCNP1	1
1st & 2nd Gear Synchro Ring	ZSY1115	2	Mainshaft 3rd Gear Needle Brg.	ZN1006	1	PTO Cover Gasket	GTPTO55	2
3rd & 4th Gear Synchro Ring	ZSY1116	2	Mainshaft Rev. Gear Needle Brg.	ZN1004	1	Mainshaft 1st & 2nd Gear Needle Brg.	ZN1005	2
5th & Rev Gear Synchro Ring	ZSY1114	2	Countershaft 5th Gear Needle Brg.	ZN1010	1	Mainshaft 3rd Gear Needle Brg.	ZN1006	1
Small Parts Kit	SPK4500	1	Idler Gear Brg.	ZN1007	2	Mainshaft Rev. Gear Needle Brg.	ZN1004	1
			Small Parts Kit	SPK4500	1	Countershaft 5th Gear Needle Brg.	ZN1010	1
						Idler Gear Brg.	ZN1007	2
						1st & 2nd Gear Synchro Ring	ZSY1115	2
						3rd & 4th Gear Synchro Ring	ZSY1116	2
						5th & Rev Gear Synchro Ring	ZSY1114	2

LD Transmission

Light Duty Transmission Rebuild Kits



TRK-4500DSPK		
Position	Part Number	Qty
Input Shaft Brg.	ZT1010-ZT1009	1
Mainshaft Pilot Brg.	ZN1003	1
Mainshaft Thrust Brg.	ZN1013	1
Mainshaft Rear Brg.	M804049-M804010	1
Ext. Housing Brg.	B5020	1
Countershaft Front Brg.	ZT1006-ZT1005	1
Countershaft Rear Brg.	ZT1008-ZT1007	1
Input Shaft Seal	714655 (1.375x1.981)	1
Output Shaft Seal	7300S (1.685x2.500)	1
Output Shaft Seal	4741 (2.200x3.022)	1
Output Shaft Seal	710058 (1.937x2.562)	1
Countershaft Plug	ZM1005	1
Fork Pads	4219073	1
Fork Pads	4167969	2
Transfer Case Adapter	GTCNP1	1
Gasket		
PTO Cover Gasket	GTPTO55	2
Small Parts Kit	SPK4500	1

TRK-4500GM		
Position	Part Number	Qty
Input Shaft Brg.	ZT1010-ZT1009	1
Mainshaft Pilot Brg.	ZN1003	1
Mainshaft Thrust Brg.	ZN1013	1
Mainshaft Rear Brg.	M804049-M804010	1
Ext. Housing Brg.	B5020	1
Countershaft Front Brg.	ZT1006-ZT1005	1
Countershaft Rear Brg.	ZT1008-ZT1007	1
Input Shaft Seal	714655 (1.375x1.981)	1
Output Shaft Seal	4670N (2.503x3.500)	1
Output Shaft Seal	410085N (2.000x2.996)	1
Output Shaft Seal	1943 (45x72.2)	1
Output Shaft Seal	224850 (48x72)	1
Countershaft Plug	ZM1005	1
Fork Pads	4219073	1
Fork Pads	4167969	2
Transfer Case Adapter	GTCNP1	1
Gasket		
PTO Cover Gasket	GTPTO55	2

TRK-4500GM1N1		
Position	Part Number	Qty
Input Shaft Brg.	ZT1010-NP728109	1
Mainshaft Pilot Brg.	ZN1003	1
Mainshaft Thrust Brg.	ZN1013	1
Mainshaft Rear Brg.	M804049-M804010	1
Ext. Housing Brg.	B5020	1
Countershaft Front Brg.	ZT1006-ZT1005	1
Countershaft Rear Brg.	ZT1008-ZT1007	1
Input Shaft Seal	4638N (1.375x1.982)	1
Output Shaft Seal	4670N (2.503x3.500)	1
Output Shaft Seal	410085N (2.000x2.996)	1
Output Shaft Seal	1943 (45x72.2)	1
Output Shaft Seal	224850 (48x72)	1
Countershaft Plug	ZM1005	1
Fork Pads	4219073	1
Fork Pads	4167969	2
Transfer Case Adapter	GTCNP1	1
Gasket		
PTO Cover Gasket	GTPTO55	2
Mainshaft 1st & 2nd Gear Needle Brg.	ZN1005	2
Mainshaft 3rd Gear Needle Brg.	ZN1006	1
Mainshaft Rev. Gear Needle Brg.	ZN1004	1
Countershaft 5th Gear Needle Brg.	ZN1010	1
Idler Gear Brg.	ZN1214	1

TRK-4500DSPKWS		
Position	Part Number	Qty
Input Shaft Brg.	ZT1010-ZT1009	1
Mainshaft Pilot Brg.	ZN1003	1
Mainshaft Thrust Brg.	ZN1013	1
Mainshaft Rear Brg.	M804049-M804010	1
Ext. Housing Brg.	B5020	1
Countershaft Front Brg.	ZT1006-ZT1005	1
Countershaft Rear Brg.	ZT1008-ZT1007	1
Input Shaft Seal	714655 (1.375x1.981)	1
Output Shaft Seal	7300S (1.685x2.500)	1
Output Shaft Seal	4741 (2.200x3.022)	1
Output Shaft Seal	710058 (1.937x2.562)	1
Countershaft Plug	ZM1005	1
Fork Pads	4219073	1
Fork Pads	4167969	2
Transfer Case Adapter	GTCNP1	1
Gasket		
PTO Cover Gasket	GTPTO55	2
1st & 2nd Gear Synchro Ring	ZSY1115	2
3rd & 4th Gear Synchro Ring	ZSY1116	2
5th & Rev Gear Synchro Ring	ZSY1114	2
Small Parts Kit	SPK4500	1

TRK-4500GM1		
Position	Part Number	Qty
Input Shaft Brg.	ZT1010-NP728109	1
Mainshaft Pilot Brg.	ZN1003	1
Mainshaft Thrust Brg.	ZN1013	1
Mainshaft Rear Brg.	M804049-M804010	1
Ext. Housing Brg.	B5020	1
Countershaft Front Brg.	ZT1006-ZT1005	1
Countershaft Rear Brg.	ZT1008-ZT1007	1
Input Shaft Seal	4638N (1.375x1.982)	1
Output Shaft Seal	4670N (2.503x3.500)	1
Output Shaft Seal	410085N (2.000x2.996)	1
Output Shaft Seal	1943 (45x72.2)	1
Output Shaft Seal	224850 (48x72)	1
Countershaft Plug	ZM1005	1
Fork Pads	4219073	1
Fork Pads	4167969	2
Transfer Case Adapter	GTCNP1	1
Gasket		
PTO Cover Gasket	GTPTO55	2

TRK-4500GM1N1SPK		
Position	Part Number	Qty
Input Shaft Brg.	ZT1010-NP728109	1
Mainshaft Pilot Brg.	ZN1003	1
Mainshaft Thrust Brg.	ZN1013	1
Mainshaft Rear Brg.	M804049-M804010	1
Ext. Housing Brg.	B5020	1
Countershaft Front Brg.	ZT1006-ZT1005	1
Countershaft Rear Brg.	ZT1008-ZT1007	1
Input Shaft Seal	4638N (1.375x1.982)	1
Output Shaft Seal	4670N (2.503x3.500)	1
Output Shaft Seal	410085N (2.000x2.996)	1
Output Shaft Seal	1943 (45x72.2)	1
Output Shaft Seal	224850 (48x72)	1
Countershaft Plug	ZM1005	1
Fork Pads	4219073	1
Fork Pads	4167969	2
Transfer Case Adapter	GTCNP1	1
Gasket		
PTO Cover Gasket	GTPTO55	2
Mainshaft 1st & 2nd Gear Needle Brg.	ZN1005	2
Mainshaft 3rd Gear Needle Brg.	ZN1006	1
Mainshaft Rev. Gear Needle Brg.	ZN1004	1
Countershaft 5th Gear Needle Brg.	ZN1010	1
Idler Gear Brg.	ZN1214	1
Small Parts Kit	SPK4500	1

TRK-4500DWS		
Position	Part Number	Qty
Input Shaft Brg.	ZT1010-ZT1009	1
Mainshaft Pilot Brg.	ZN1003	1
Mainshaft Thrust Brg.	ZN1013	1
Mainshaft Rear Brg.	M804049-M804010	1
Ext. Housing Brg.	B5020	1
Countershaft Front Brg.	ZT1006-ZT1005	1
Countershaft Rear Brg.	ZT1008-ZT1007	1
Input Shaft Seal	714655 (1.375x1.981)	1
Output Shaft Seal	7300S (1.685x2.500)	1
Output Shaft Seal	4741 (2.200x3.022)	1
Output Shaft Seal	710058 (1.937x2.562)	1
Countershaft Plug	ZM1005	1
Fork Pads	4219073	1
Fork Pads	4167969	2
Transfer Case Adapter	GTCNP1	1
Gasket		
PTO Cover Gasket	GTPTO55	2
1st & 2nd Gear Synchro Ring	ZSY1115	2
3rd & 4th Gear Synchro Ring	ZSY1116	2
5th & Rev Gear Synchro Ring	ZSY1114	2

TRK-4500GM1N		
Position	Part Number	Qty
Input Shaft Brg.	ZT1010-NP728109	1
Mainshaft Pilot Brg.	ZN1003	1
Mainshaft Thrust Brg.	ZN1013	1
Mainshaft Rear Brg.	M804049-M804010	1
Ext. Housing Brg.	B5020	1
Countershaft Front Brg.	ZT1006-ZT1005	1
Countershaft Rear Brg.	ZT1008-ZT1007	1
Input Shaft Seal	4638N (1.375x1.982)	1
Output Shaft Seal	4670N (2.503x3.500)	1
Output Shaft Seal	410085N (2.000x2.996)	1
Output Shaft Seal	1943 (45x72.2)	1
Output Shaft Seal	224850 (48x72)	1
Countershaft Plug	ZM1005	1
Fork Pads	4219073	1
Fork Pads	4167969	2
Transfer Case Adapter	GTCNP1	1
Gasket		
PTO Cover Gasket	GTPTO55	2
Mainshaft 1st & 2nd Gear Needle Brg.	ZN1005	2
Mainshaft 3rd Gear Needle Brg.	ZN1006	1
Mainshaft Rev. Gear Needle Brg.	ZN1004	1
Countershaft 5th Gear Needle Brg.	ZN1010	1
Idler Gear Brg.	ZN1007	2

LD Transmission

Light Duty Transmission Rebuild Kits



TRK-4500GM1N1SPKWS			TRK-4500GM1NSPK			TRK-4500GM1NWS		
Position	Part Number	Qty	Position	Part Number	Qty	Position	Part Number	Qty
Input Shaft Brg.	ZT1010-NP728109	1	Input Shaft Brg.	ZT1010-NP728109	1	Input Shaft Brg.	ZT1010-NP728109	1
Mainshaft Pilot Brg.	ZN1003	1	Mainshaft Pilot Brg.	ZN1003	1	Mainshaft Pilot Brg.	ZN1003	1
Mainshaft Thrust Brg.	ZN1013	1	Mainshaft Thrust Brg.	ZN1013	1	Mainshaft Thrust Brg.	ZN1013	1
Mainshaft Rear Brg.	M804049-M804010	1	Mainshaft Rear Brg.	M804049-M804010	1	Mainshaft Rear Brg.	M804049-M804010	1
Ext. Housing Brg.	B5020	1	Ext. Housing Brg.	B5020	1	Ext. Housing Brg.	B5020	1
Countershaft Front Brg.	ZT1006-ZT1005	1	Countershaft Front Brg.	ZT1006-ZT1005	1	Countershaft Front Brg.	ZT1006-ZT1005	1
Countershaft Rear Brg.	ZT1008-ZT1007	1	Countershaft Rear Brg.	ZT1008-ZT1007	1	Countershaft Rear Brg.	ZT1008-ZT1007	1
Input Shaft Seal	4638N (1.375x1.982)	1	Input Shaft Seal	4638N (1.375x1.982)	1	Input Shaft Seal	4638N (1.375x1.982)	1
Output Shaft Seal	4670N (2.503x3.500)	1	Output Shaft Seal	4670N (2.503x3.500)	1	Output Shaft Seal	4670N (2.503x3.500)	1
Output Shaft Seal	410085N (2.000x2.996)	1	Output Shaft Seal	410085N (2.000x2.996)	1	Output Shaft Seal	410085N (2.000x2.996)	1
Output Shaft Seal	1943 (45x72.2)	1	Output Shaft Seal	1943 (45x72.2)	1	Output Shaft Seal	1943 (45x72.2)	1
Output Shaft Seal	224850 (48x72)	1	Output Shaft Seal	224850 (48x72)	1	Output Shaft Seal	224850 (48x72)	1
Countershaft Plug	ZM1005	1	Countershaft Plug	ZM1005	1	Countershaft Plug	ZM1005	1
Fork Pads	4219073	1	Fork Pads	4219073	1	Fork Pads	4219073	1
Fork Pads	4167969	2	Fork Pads	4167969	2	Fork Pads	4167969	2
Transfer Case Adapter Gasket	GTCNP1	1	Transfer Case Adapter Gasket	GTCNP1	1	Transfer Case Adapter Gasket	GTCNP1	1
PTO Cover Gasket	GTPTO55	2	PTO Cover Gasket	GTPTO55	2	PTO Cover Gasket	GTPTO55	2
Mainshaft 1st & 2nd Gear Needle Brg.	ZN1005	2	Mainshaft 1st & 2nd Gear Needle Brg.	ZN1005	2	Mainshaft 1st & 2nd Gear Needle Brg.	ZN1005	2
Mainshaft 3rd Gear Needle Brg.	ZN1006	1	Mainshaft 3rd Gear Needle Brg.	ZN1006	1	Mainshaft 3rd Gear Needle Brg.	ZN1006	1
Mainshaft Rev. Gear Needle Brg.	ZN1004	1	Mainshaft Rev. Gear Needle Brg.	ZN1004	1	Mainshaft Rev. Gear Needle Brg.	ZN1004	1
Countershaft 5th Gear Needle Brg.	ZN1010	1	Countershaft 5th Gear Needle Brg.	ZN1010	1	Countershaft 5th Gear Needle Brg.	ZN1010	1
Idler Gear Brg.	ZN1214	1	Idler Gear Brg.	ZN1007	2	Idler Gear Brg.	ZN1007	2
1st & 2nd Gear Synchro Ring	ZSY1115	2	Small Parts Kit	SPK4500	1	1st & 2nd Gear Synchro Ring	ZSY1115	2
3rd & 4th Gear Synchro Ring	ZSY1116	2	TRK-4500GM1NSPKWS			3rd & 4th Gear Synchro Ring	ZSY1116	2
5th Gear Synchro Ring	ZSY1114	1	Position	Part Number	Qty	5th Gear Synchro Ring	ZSY1114	1
Small Parts Kit	SPK4500	1	Input Shaft Brg.	ZT1010-NP728109	1	TRK-4500GM1SPK		
TRK-4500GM1N1WS			Mainshaft Pilot Brg.	ZN1003	1	Position	Part Number	Qty
Position	Part Number	Qty	Mainshaft Thrust Brg.	ZN1013	1	Input Shaft Brg.	ZT1010-NP728109	1
Input Shaft Brg.	ZT1010-NP728109	1	Mainshaft Rear Brg.	M804049-M804010	1	Mainshaft Pilot Brg.	ZN1003	1
Mainshaft Pilot Brg.	ZN1003	1	Ext. Housing Brg.	B5020	1	Mainshaft Thrust Brg.	ZN1013	1
Mainshaft Thrust Brg.	ZN1013	1	Countershaft Front Brg.	ZT1006-ZT1005	1	Mainshaft Rear Brg.	M804049-M804010	1
Mainshaft Rear Brg.	M804049-M804010	1	Countershaft Rear Brg.	ZT1008-ZT1007	1	Ext. Housing Brg.	B5020	1
Ext. Housing Brg.	B5020	1	Input Shaft Seal	4638N (1.375x1.982)	1	Countershaft Front Brg.	ZT1006-ZT1005	1
Countershaft Front Brg.	ZT1006-ZT1005	1	Output Shaft Seal	4670N (2.503x3.500)	1	Countershaft Rear Brg.	ZT1008-ZT1007	1
Countershaft Rear Brg.	ZT1008-ZT1007	1	Output Shaft Seal	410085N (2.000x2.996)	1	Input Shaft Seal	4638N (1.375x1.982)	1
Input Shaft Seal	4638N (1.375x1.982)	1	Output Shaft Seal	1943 (45x72.2)	1	Output Shaft Seal	4670N (2.503x3.500)	1
Output Shaft Seal	4670N (2.503x3.500)	1	Output Shaft Seal	224850 (48x72)	1	Output Shaft Seal	410085N (2.000x2.996)	1
Output Shaft Seal	410085N (2.000x2.996)	1	Countershaft Plug	ZM1005	1	Output Shaft Seal	1943 (45x72.2)	1
Output Shaft Seal	1943 (45x72.2)	1	Fork Pads	4219073	1	Output Shaft Seal	224850 (48x72)	1
Output Shaft Seal	224850 (48x72)	1	Fork Pads	4167969	2	Countershaft Plug	ZM1005	1
Countershaft Plug	ZM1005	1	Transfer Case Adapter Gasket	GTCNP1	1	Fork Pads	4219073	1
Fork Pads	4219073	1	PTO Cover Gasket	GTPTO55	2	Fork Pads	4167969	2
Fork Pads	4167969	2	Mainshaft 1st & 2nd Gear Needle Brg.	ZN1005	2	Transfer Case Adapter Gasket	GTCNP1	1
Transfer Case Adapter Gasket	GTCNP1	1	Mainshaft 3rd Gear Needle Brg.	ZN1006	1	PTO Cover Gasket	GTPTO55	2
PTO Cover Gasket	GTPTO55	2	Mainshaft Rev. Gear Needle Brg.	ZN1004	1	Small Parts Kit	SPK4500	1
Mainshaft 1st & 2nd Gear Needle Brg.	ZN1005	2	Countershaft 5th Gear Needle Brg.	ZN1010	1			
Mainshaft 3rd Gear Needle Brg.	ZN1006	1	Idler Gear Brg.	ZN1007	2			
Mainshaft Rev. Gear Needle Brg.	ZN1004	1	1st & 2nd Gear Synchro Ring	ZSY1115	2			
Countershaft 5th Gear Needle Brg.	ZN1010	1	3rd & 4th Gear Synchro Ring	ZSY1116	2			
Idler Gear Brg.	ZN1214	1	5th Gear Synchro Ring	ZSY1114	1			
1st & 2nd Gear Synchro Ring	ZSY1115	2	Small Parts Kit	SPK4500	1			
3rd & 4th Gear Synchro Ring	ZSY1116	2						
5th Gear Synchro Ring	ZSY1114	1						

LD Transmission

Light Duty Transmission Rebuild Kits



TRK-4500GM1SPKWS

Position	Part Number	Qty
Input Shaft Brg.	ZT1010-NP728109	1
Mainshaft Pilot Brg.	ZN1003	1
Mainshaft Thrust Brg.	ZN1013	1
Mainshaft Rear Brg.	M804049-M804010	1
Ext. Housing Brg.	B5020	1
Countershaft Front Brg.	ZT1006-ZT1005	1
Countershaft Rear Brg.	ZT1008-ZT1007	1
Input Shaft Seal	4638N (1.375x1.982)	1
Output Shaft Seal	4670N (2.503x3.500)	1
Output Shaft Seal	410085N (2.000x2.996)	1
Output Shaft Seal	1943 (45x72.2)	1
Output Shaft Seal	224850 (48x72)	1
Countershaft Plug	ZM1005	1
Fork Pads	4219073	1
Fork Pads	4167969	2
Transfer Case Adapter Gasket	GTCNP1	1
PTO Cover Gasket	GTPTO55	2
1st & 2nd Gear Synchro Ring	ZSY1115	2
3rd & 4th Gear Synchro Ring	ZSY1116	2
5th Gear Synchro Ring	ZSY1114	1
Small Parts Kit	SPK4500	1

TRK-4500GM1WS

Position	Part Number	Qty
Input Shaft Brg.	ZT1010-NP728109	1
Mainshaft Pilot Brg.	ZN1003	1
Mainshaft Thrust Brg.	ZN1013	1
Mainshaft Rear Brg.	M804049-M804010	1
Ext. Housing Brg.	B5020	1
Countershaft Front Brg.	ZT1006-ZT1005	1
Countershaft Rear Brg.	ZT1008-ZT1007	1
Input Shaft Seal	4638N (1.375x1.982)	1
Output Shaft Seal	4670N (2.503x3.500)	1
Output Shaft Seal	410085N (2.000x2.996)	1
Output Shaft Seal	1943 (45x72.2)	1
Output Shaft Seal	224850 (48x72)	1
Countershaft Plug	ZM1005	1
Fork Pads	4219073	1
Fork Pads	4167969	2
Transfer Case Adapter Gasket	GTCNP1	1
PTO Cover Gasket	GTPTO55	2
1st & 2nd Gear Synchro Ring	ZSY1115	2
3rd & 4th Gear Synchro Ring	ZSY1116	2
5th Gear Synchro Ring	ZSY1114	1

TRK-4500GMN

Position	Part Number	Qty
Input Shaft Brg.	ZT1010-ZT1009	1
Mainshaft Pilot Brg.	ZN1003	1
Mainshaft Thrust Brg.	ZN1013	1
Mainshaft Rear Brg.	M804049-M804010	1
Ext. Housing Brg.	B5020	1
Countershaft Front Brg.	ZT1006-ZT1005	1
Countershaft Rear Brg.	ZT1008-ZT1007	1
Input Shaft Seal	714655 (1.375x1.981)	1
Output Shaft Seal	4670N (2.503x3.500)	1
Output Shaft Seal	410085N (2.000x2.996)	1
Output Shaft Seal	1943 (45x72.2)	1
Output Shaft Seal	224850 (48x72)	1
Countershaft Plug	ZM1005	1
Fork Pads	4219073	1
Fork Pads	4167969	2
Transfer Case Adapter Gasket	GTCNP1	1
PTO Cover Gasket	GTPTO55	2
Mainshaft 1st & 2nd Gear Needle Brg.	ZN1005	2
Mainshaft 3rd Gear Needle Brg.	ZN1006	1
Mainshaft Rev. Gear Needle Brg.	ZN1004	1
Countershaft 5th Gear Needle Brg.	ZN1010	1
Idler Gear Brg.	ZN1007	2

TRK-4500GMNSPK

Position	Part Number	Qty
Input Shaft Brg.	ZT1010-ZT1009	1
Mainshaft Pilot Brg.	ZN1003	1
Mainshaft Thrust Brg.	ZN1013	1
Mainshaft Rear Brg.	M804049-M804010	1
Ext. Housing Brg.	B5020	1
Countershaft Front Brg.	ZT1006-ZT1005	1
Countershaft Rear Brg.	ZT1008-ZT1007	1
Input Shaft Seal	714655 (1.375x1.981)	1
Output Shaft Seal	4670N (2.503x3.500)	1
Output Shaft Seal	410085N (2.000x2.996)	1
Output Shaft Seal	1943 (45x72.2)	1
Output Shaft Seal	224850 (48x72)	1
Countershaft Plug	ZM1005	1
Fork Pads	4219073	1
Fork Pads	4167969	2
Transfer Case Adapter Gasket	GTCNP1	1
PTO Cover Gasket	GTPTO55	2
Mainshaft 1st & 2nd Gear Needle Brg.	ZN1005	2
Mainshaft 3rd Gear Needle Brg.	ZN1006	1
Mainshaft Rev. Gear Needle Brg.	ZN1004	1
Countershaft 5th Gear Needle Brg.	ZN1010	1
Idler Gear Brg.	ZN1007	2
Small Parts Kit	SPK4500	1

TRK-4500GMNSPKWS

Position	Part Number	Qty
Input Shaft Brg.	ZT1010-ZT1009	1
Mainshaft Pilot Brg.	ZN1003	1
Mainshaft Thrust Brg.	ZN1013	1
Mainshaft Rear Brg.	M804049-M804010	1
Ext. Housing Brg.	B5020	1
Countershaft Front Brg.	ZT1006-ZT1005	1
Countershaft Rear Brg.	ZT1008-ZT1007	1
Input Shaft Seal	714655 (1.375x1.981)	1
Output Shaft Seal	4670N (2.503x3.500)	1
Output Shaft Seal	410085N (2.000x2.996)	1
Output Shaft Seal	1943 (45x72.2)	1
Output Shaft Seal	224850 (48x72)	1
Countershaft Plug	ZM1005	1
Fork Pads	4219073	1
Fork Pads	4167969	2
Transfer Case Adapter Gasket	GTCNP1	1
PTO Cover Gasket	GTPTO55	2
Mainshaft 1st & 2nd Gear Needle Brg.	ZN1005	2
Mainshaft 3rd Gear Needle Brg.	ZN1006	1
Mainshaft Rev. Gear Needle Brg.	ZN1004	1
Countershaft 5th Gear Needle Brg.	ZN1010	1
Idler Gear Brg.	ZN1007	2
1st & 2nd Gear Synchro Ring	ZSY1115	2
3rd & 4th Gear Synchro Ring	ZSY1116	2
5th Gear Synchro Ring	ZSY1114	1
Small Parts Kit	SPK4500	1

TRK-4500GMNWS

Position	Part Number	Qty
Input Shaft Brg.	ZT1010-ZT1009	1
Mainshaft Pilot Brg.	ZN1003	1
Mainshaft Thrust Brg.	ZN1013	1
Mainshaft Rear Brg.	M804049-M804010	1
Ext. Housing Brg.	B5020	1
Countershaft Front Brg.	ZT1006-ZT1005	1
Countershaft Rear Brg.	ZT1008-ZT1007	1
Input Shaft Seal	714655 (1.375x1.981)	1
Output Shaft Seal	4670N (2.503x3.500)	1
Output Shaft Seal	410085N (2.000x2.996)	1
Output Shaft Seal	1943 (45x72.2)	1
Output Shaft Seal	224850 (48x72)	1
Countershaft Plug	ZM1005	1
Fork Pads	4219073	1
Fork Pads	4167969	2
Transfer Case Adapter Gasket	GTCNP1	1
PTO Cover Gasket	GTPTO55	2
Mainshaft 1st & 2nd Gear Needle Brg.	ZN1005	2
Mainshaft 3rd Gear Needle Brg.	ZN1006	1
Mainshaft Rev. Gear Needle Brg.	ZN1004	1
Countershaft 5th Gear Needle Brg.	ZN1010	1
Idler Gear Brg.	ZN1007	2
1st & 2nd Gear Synchro Ring	ZSY1115	2
3rd & 4th Gear Synchro Ring	ZSY1116	2
5th Gear Synchro Ring	ZSY1114	1

LD Transmission

Light Duty Transmission Rebuild Kits

TRK-4500GMSPK		
Position	Part Number	Qty
Input Shaft Brg.	ZT1010-ZT1009	1
Mainshaft Pilot Brg.	ZN1003	1
Mainshaft Thrust Brg.	ZN1013	1
Mainshaft Rear Brg.	M804049-M804010	1
Ext. Housing Brg.	B5020	1
Countershaft Front Brg.	ZT1006-ZT1005	1
Countershaft Rear Brg.	ZT1008-ZT1007	1
Input Shaft Seal	714655 (1.375x1.981)	1
Output Shaft Seal	4670N (2.503x3.500)	1
Output Shaft Seal	410085N (2.000x2.996)	1
Output Shaft Seal	1943 (45x72.2)	1
Output Shaft Seal	224850 (48x72)	1
Countershaft Plug	ZM1005	1
Fork Pads	4219073	1
Fork Pads	4167969	2
Transfer Case Adapter	GTCNP1	1
Gasket		
PTO Cover Gasket	GTPTO55	2
Small Parts Kit	SPK4500	1

TRK-4500GMSPKWS		
Position	Part Number	Qty
Input Shaft Brg.	ZT1010-ZT1009	1
Mainshaft Pilot Brg.	ZN1003	1
Mainshaft Thrust Brg.	ZN1013	1
Mainshaft Rear Brg.	M804049-M804010	1
Ext. Housing Brg.	B5020	1
Countershaft Front Brg.	ZT1006-ZT1005	1
Countershaft Rear Brg.	ZT1008-ZT1007	1
Input Shaft Seal	714655 (1.375x1.981)	1
Output Shaft Seal	4670N (2.503x3.500)	1
Output Shaft Seal	410085N (2.000x2.996)	1
Output Shaft Seal	1943 (45x72.2)	1
Output Shaft Seal	224850 (48x72)	1
Countershaft Plug	ZM1005	1
Fork Pads	4219073	1
Fork Pads	4167969	2
Transfer Case Adapter	GTCNP1	1
Gasket		
PTO Cover Gasket	GTPTO55	2
1st & 2nd Gear Synchro	ZSY1115	2
Ring		
3rd & 4th Gear Synchro	ZSY1116	2
Ring		
5th Gear Synchro Ring	ZSY1114	1
Small Parts Kit	SPK4500	1

TRK-4500GMWS		
Position	Part Number	Qty
Input Shaft Brg.	ZT1010-ZT1009	1
Mainshaft Pilot Brg.	ZN1003	1
Mainshaft Thrust Brg.	ZN1013	1
Mainshaft Rear Brg.	M804049-M804010	1
Ext. Housing Brg.	B5020	1
Countershaft Front Brg.	ZT1006-ZT1005	1
Countershaft Rear Brg.	ZT1008-ZT1007	1
Input Shaft Seal	714655 (1.375x1.981)	1
Output Shaft Seal	4670N (2.503x3.500)	1
Output Shaft Seal	410085N (2.000x2.996)	1
Output Shaft Seal	1943 (45x72.2)	1
Output Shaft Seal	224850 (48x72)	1
Countershaft Plug	ZM1005	1
Fork Pads	4219073	1
Fork Pads	4167969	2
Transfer Case Adapter	GTCNP1	1
Gasket		
PTO Cover Gasket	GTPTO55	2
1st & 2nd Gear Synchro	ZSY1115	2
Ring		
3rd & 4th Gear Synchro	ZSY1116	2
Ring		
5th Gear Synchro Ring	ZSY1114	1

TRK-5600		
Position	Part Number	Qty
Input Shaft Brg.	HM804849-HM804810	1
Mainshaft Pilot Brg.	32305	1
Mainshaft Front Brg.	45290-45220	1
Mainshaft Rear Brg.	209	1
Countershaft Front Brg.	LM102949-LM102910	1
Countershaft Ctr. Brg.	25590-25520	1
Countershaft Rear Brg.	LM48548-LM48510	1
Input Shaft Seal	4638N (1.375x1.982)	1
Input Shaft Seal	14703 (38x50)	1
Output Shaft Seal	4741 (2.200x3.022)	1
Output Shaft Seal	710058 (1.937x2.562)	1

TRK-5600N		
Position	Part Number	Qty
Input Shaft Brg.	HM804849-HM804810	1
Mainshaft Pilot Brg.	32305	1
Mainshaft Front Brg.	45290-45220	1
Mainshaft Rear Brg.	209	1
Countershaft Front Brg.	LM102949-LM102910	1
Countershaft Ctr. Brg.	25590-25520	1
Countershaft Rear Brg.	LM48548-LM48510	1
Mainshaft 1st Gear	ZN1142	1
Needle Brg.		
Mainshaft 2nd Gear	ZN1142	1
Needle Brg.		
Mainshaft 3rd Gear	ZN1005	1
Needle Brg.		
Mainshaft 4th Gear	ZN1005	1
Needle Brg.		
Mainshaft 6th Gear	ZN1141	1
Needle Brg.		
Mainshaft Rev. Gear	ZN1004	1
Needle Brg.		
Rev. Idler Gear Brg.	ZN1143	2
Input Shaft Seal	4638N (1.375x1.982)	1
Input Shaft Seal	14703 (38x50)	1
Output Shaft Seal	4741 (2.200x3.022)	1
Output Shaft Seal	710058 (1.937x2.562)	1

TRK-5600NWS		
Position	Part Number	Qty
Input Shaft Brg.	HM804849-HM804810	1
Mainshaft Pilot Brg.	32305	1
Mainshaft Front Brg.	45290-45220	1
Mainshaft Rear Brg.	209	1
Countershaft Front Brg.	LM102949-LM102910	1
Countershaft Ctr. Brg.	25590-25520	1
Countershaft Rear Brg.	LM48548-LM48510	1
Mainshaft 1st Gear	ZN1142	1
Needle Brg.		
Mainshaft 2nd Gear	ZN1142	1
Needle Brg.		
Mainshaft 3rd Gear	ZN1005	1
Needle Brg.		
Mainshaft 4th Gear	ZN1005	1
Needle Brg.		
Mainshaft 6th Gear	ZN1141	1
Needle Brg.		
Mainshaft Rev. Gear	ZN1004	1
Needle Brg.		
Rev. Idler Gear Brg.	ZN1143	2
Input Shaft Seal	4638N (1.375x1.982)	1
Input Shaft Seal	14703 (38x50)	1
Output Shaft Seal	4741 (2.200x3.022)	1
Output Shaft Seal	710058 (1.937x2.562)	1
1st,2nd,3rd,4th,5th,6th&	ZSY1216	7
Rev.Synchro Ring		

TRK-5600WS		
Position	Part Number	Qty
Input Shaft Brg.	HM804849-HM804810	1
Mainshaft Pilot Brg.	32305	1
Mainshaft Front Brg.	45290-45220	1
Mainshaft Rear Brg.	209	1
Countershaft Front Brg.	LM102949-LM102910	1
Countershaft Ctr. Brg.	25590-25520	1
Countershaft Rear Brg.	LM48548-LM48510	1
Input Shaft Seal	4638N (1.375x1.982)	1
Input Shaft Seal	14703 (38x50)	1
Output Shaft Seal	4741 (2.200x3.022)	1
Output Shaft Seal	710058 (1.937x2.562)	1
1st,2nd,3rd,4th,5th,6th&	ZSY1216	7
Rev.Synchro Ring		

TRK-FC200		
Position	Part Number	Qty
Input Shaft Brg.	32210	1
Input Shaft Pilot Brg.	33206	1
Output Shaft Rear Brg.	32210	1
Countershaft Front Brg.	30307	1
Countershaft Rear Brg.	32208	1
Input Shaft Seal	710904 (39.8x62)	1
Output Shaft Seal	710906 (62x78)	1
Output Shaft Seal	710905 (49.9x78)	1

TRK-FC200WS		
Position	Part Number	Qty
Input Shaft Brg.	32210	1
Input Shaft Pilot Brg.	33206	1
Output Shaft Rear Brg.	32210	1
Countershaft Front Brg.	30307	1
Countershaft Rear Brg.	32208	1
Input Shaft Seal	710904 (39.8x62)	1
Output Shaft Seal	710906 (62x78)	1
Output Shaft Seal	710905 (49.9x78)	1
1st & 2nd Gear Synchro	ZSY1412	2
Ring		
3rd & 4th Gear Synchro	ZSY1413	2
Ring		
5th & 6th Gear Synchro	ZSY1414	2
Ring		
Rev. Gear Synchro Ring	ZSY1415	1

TRK-S6-650ZF		
Position	Part Number	Qty
Input Shaft Brg.	45285-45220	1
Mainshaft Pilot Brg.	JH13349	1
Mainshaft Center Brg.	NP957859-NP771105	1
Mainshaft Rear Brg.	309L	1
Countershaft Front Brg.	4302074	1
Countershaft Ctr. Brg.	JLM508748-JLM508710	1
Countershaft Rear Brg.	FC69178	1
Input Shaft Seal	UH5019E0 (40x55)	1
Output Shaft Seal	UH5020G0 (57x73)	1
Output Shaft Seal	710719 (42x55)	1
Oil Baffle	F81Z7046AA	1
Oil Ring	F4TZ7046A	1
Sealing Cap (Large)	ZM1036	4

TRK-S6-650ZFA		
Position	Part Number	Qty
Input Shaft Brg.	45285-45220	1
Mainshaft Pilot Brg.	JH13349	1
Mainshaft Center Brg.	NP957859-NP771105	1
Mainshaft Rear Brg.	309L	1
Countershaft Front Brg.	4302074	1
Countershaft Ctr. Brg.	JLM508748-JLM508710	1
Countershaft Rear Brg.	FC69178	1
Input Shaft Seal	UH5019E0 (40x55)	1
Output Shaft Seal	UH5020G0 (57x73)	1
Oil Baffle	F81Z7046AA	1
Oil Ring	F4TZ7046A	1
Sealing Cap (Large)	ZM1036	4

Light Duty Transmission Rebuild Kits



TRK-S6-650ZFAWS

Position	Part Number	Qty
Input Shaft Brg.	45285-45220	1
Mainshaft Pilot Brg.	JH13349	1
Mainshaft Center Brg.	NP957859-NP771105	1
Mainshaft Rear Brg.	309L	1
Countershaft Front Brg.	4302074	1
Countershaft Ctr. Brg.	JLM508748-JLM508710	1
Countershaft Rear Brg.	FC69178	1
Input Shaft Seal	UH5019E0 (40x55)	1
Output Shaft Seal	UH5020G0 (57x73)	1
Oil Baffle	F81Z7046AA	1
Oil Ring	F4TZ7046A	1
Sealing Cap (Large)	ZM1036	4
1st & 2nd Gear Synchro Ring	ZSY1230	2
3rd, 4th & 5th Gear Synchro Ring	ZSY1204	3
Rev. & Creeper Gear Synchro Ring	ZSY1203	2

TRK-S6-650ZFB

Position	Part Number	Qty
Input Shaft Brg.	45285-45220	1
Mainshaft Pilot Brg.	JH13349	1
Mainshaft Center Brg.	NP957859-NP771105	1
Mainshaft Rear Brg.	309L	1
Countershaft Front Brg.	4302074	1
Countershaft Ctr. Brg.	JLM508748-JLM508710	1
Countershaft Rear Brg.	R1563TAV	1
Input Shaft Seal	UH5019E0 (40x55)	1
Output Shaft Seal	UH5020G0 (57x73)	1
Output Shaft Seal	710719 (42x55)	1
Oil Baffle	F81Z7046AA	1
Oil Ring	F4TZ7046A	1
Sealing Cap (Large)	ZM1036	4

TRK-S6-650ZFBWS

Position	Part Number	Qty
Input Shaft Brg.	45285-45220	1
Mainshaft Pilot Brg.	JH13349	1
Mainshaft Center Brg.	NP957859-NP771105	1
Mainshaft Rear Brg.	309L	1
Countershaft Front Brg.	4302074	1
Countershaft Ctr. Brg.	JLM508748-JLM508710	1
Countershaft Rear Brg.	R1563TAV	1
Input Shaft Seal	UH5019E0 (40x55)	1
Output Shaft Seal	UH5020G0 (57x73)	1
Output Shaft Seal	710719 (42x55)	1
Oil Baffle	F81Z7046AA	1
Oil Ring	F4TZ7046A	1
Sealing Cap (Large)	ZM1036	4
1st & 2nd Gear Synchro Ring	ZSY1230	2
3rd, 4th & 5th Gear Synchro Ring	ZSY1204	3
Rev. & Creeper Gear Synchro Ring	ZSY1203	2

TRK-S6-650ZFC

Position	Part Number	Qty
Input Shaft Brg.	45285-45220	1
Mainshaft Pilot Brg.	JH13349	1
Mainshaft Center Brg.	NP957859-NP771105	1
Mainshaft Rear Brg.	ZB1181	1
Countershaft Front Brg.	4302074	1
Countershaft Ctr. Brg.	JLM508748-JLM508710	1
Countershaft Rear Brg.	R1563TAV	1
Input Shaft Seal	UH5019E0 (40x55)	1
Output Shaft Seal	UH5020G0 (57x73)	1
Oil Baffle	F81Z7046AA	1
Oil Ring	F4TZ7046A	1
Sealing Cap (Large)	ZM1036	4
O-Ring	OR-100X3V	1

TRK-S6-650ZFCWS

Position	Part Number	Qty
Input Shaft Brg.	45285-45220	1
Mainshaft Pilot Brg.	JH13349	1
Mainshaft Center Brg.	NP957859-NP771105	1
Mainshaft Rear Brg.	ZB1181	1
Countershaft Front Brg.	4302074	1
Countershaft Ctr. Brg.	JLM508748-JLM508710	1
Countershaft Rear Brg.	R1563TAV	1
Input Shaft Seal	UH5019E0 (40x55)	1
Output Shaft Seal	UH5020G0 (57x73)	1
Oil Baffle	F81Z7046AA	1
Oil Ring	F4TZ7046A	1
Sealing Cap (Large)	ZM1036	4
O-Ring	OR-100X3V	1
1st & 2nd Gear Synchro Ring	ZSY1230	2
3rd, 4th & 5th Gear Synchro Ring	ZSY1204	3
Rev. & Creeper Gear Synchro Ring	ZSY1203	2

TRK-S6-650ZFN

Position	Part Number	Qty
Input Shaft Brg.	45285-45220	1
Mainshaft Pilot Brg.	JH13349	1
Mainshaft Center Brg.	NP957859-NP771105	1
Mainshaft Rear Brg.	309L	1
Countershaft Front Brg.	4302074	1
Countershaft Ctr. Brg.	JLM508748-JLM508710	1
Countershaft Rear Brg.	FC69178	1
Input Shaft Seal	UH5019E0 (40x55)	1
Output Shaft Seal	UH5020G0 (57x73)	1
Output Shaft Seal	710719 (42x55)	1
Oil Baffle	F81Z7046AA	1
Oil Ring	F4TZ7046A	1
Sealing Cap (Large)	ZM1036	4
1st Gear Brg.	ZN1189	1
2nd Gear Brg.	ZN1189	1
2nd Gear Brg. Inner Race	ZN1190	1
3rd Gear Brg.	ZN1189	1
3rd Gear Inner Brg. Rac	ZN1190	1
5th Gear Brg.	ZN1191	1
5th Gear Inner Brg. Rac	ZN1192	1
5th Gear Thrust Washer	ZN1193	1
Creeper Gear Brg.	ZN1194	2
Rev. Gear Brg.	ZN1194	2
Rev. Gear Brg. Inner Race	ZN1195	1
Rev. Idler Gear Brg.	ZN1196	2
Shift Shaft Brg.	ZN1160	3
2nd/3rd Gear Thrust Washer	ZN1197	1
Rev. Gear Thrust Brg.	ZN1198	1

TRK-S6-650ZFNWS

Position	Part Number	Qty
Input Shaft Brg.	45285-45220	1
Mainshaft Pilot Brg.	JH13349	1
Mainshaft Center Brg.	NP957859-NP771105	1
Mainshaft Rear Brg.	309L	1
Countershaft Front Brg.	4302074	1
Countershaft Ctr. Brg.	JLM508748-JLM508710	1
Countershaft Rear Brg.	FC69178	1
Input Shaft Seal	UH5019E0 (40x55)	1
Output Shaft Seal	UH5020G0 (57x73)	1
Output Shaft Seal	710719 (42x55)	1
Oil Baffle	F81Z7046AA	1
Oil Ring	F4TZ7046A	1
1st & 2nd Gear Synchro Ring	ZSY1230	2
3rd, 4th & 5th Gear Synchro Ring	ZSY1204	3
Rev. & Creeper Gear Synchro Ring	ZSY1203	2
Sealing Cap (Large)	ZM1036	4
1st Gear Brg.	ZN1189	1
2nd Gear Brg.	ZN1189	1
2nd Gear Brg. Inner Race	ZN1190	1
3rd Gear Brg.	ZN1189	1
3rd Gear Inner Brg. Rac	ZN1190	1
5th Gear Brg.	ZN1191	1
5th Gear Inner Brg. Rac	ZN1192	1
5th Gear Thrust Washer	ZN1193	1
Creeper Gear Brg.	ZN1194	2
Rev. Gear Brg.	ZN1194	2
Rev. Gear Brg. Inner Race	ZN1195	1
Rev. Idler Gear Brg.	ZN1196	2
Shift Shaft Brg.	ZN1160	3
2nd/3rd Gear Thrust Washer	ZN1197	1
Rev. Gear Thrust Brg.	ZN1198	1

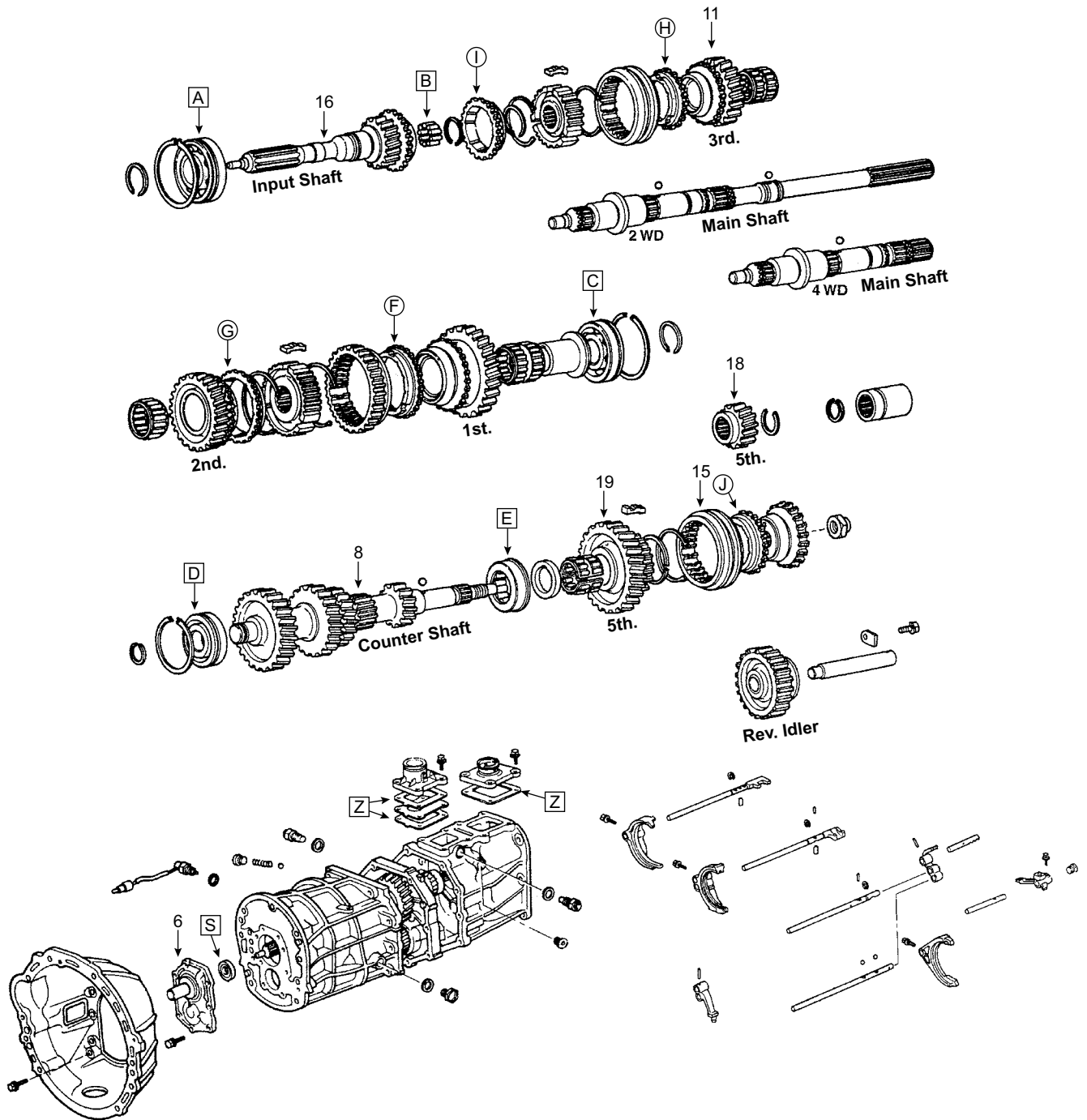
TRK-S6-650ZFW

Position	Part Number	Qty
Input Shaft Brg.	45285-45220	1
Mainshaft Pilot Brg.	JH13349	1
Mainshaft Center Brg.	NP957859-NP771105	1
Mainshaft Rear Brg.	309L	1
Countershaft Front Brg.	4302074	1
Countershaft Ctr. Brg.	JLM508748-JLM508710	1
Countershaft Rear Brg.	FC69178	1
Input Shaft Seal	UH5019E0 (40x55)	1
Output Shaft Seal	UH5020G0 (57x73)	1
Output Shaft Seal	710719 (42x55)	1
Oil Baffle	F81Z7046AA	1
Oil Ring	F4TZ7046A	1
Sealing Cap (Large)	ZM1036	4
1st & 2nd Gear Synchro Ring	ZSY1230	2
3rd, 4th & 5th Gear Synchro Ring	ZSY1204	3
Rev. & Creeper Gear Synchro Ring	ZSY1203	2

LD Transmission

Transmission Gearing & Related Parts

Aisin Warner AX5 and AX15



□ = Contained in all kits.

○ = Contained in WS (With Synchros) kits.

△ = Contained in N (With Needle Brgs.) kits

References to original equipment part numbers are for cross reference and identification purpose only.

Transmission Gearing & Related Parts

Aisin Warner AX5

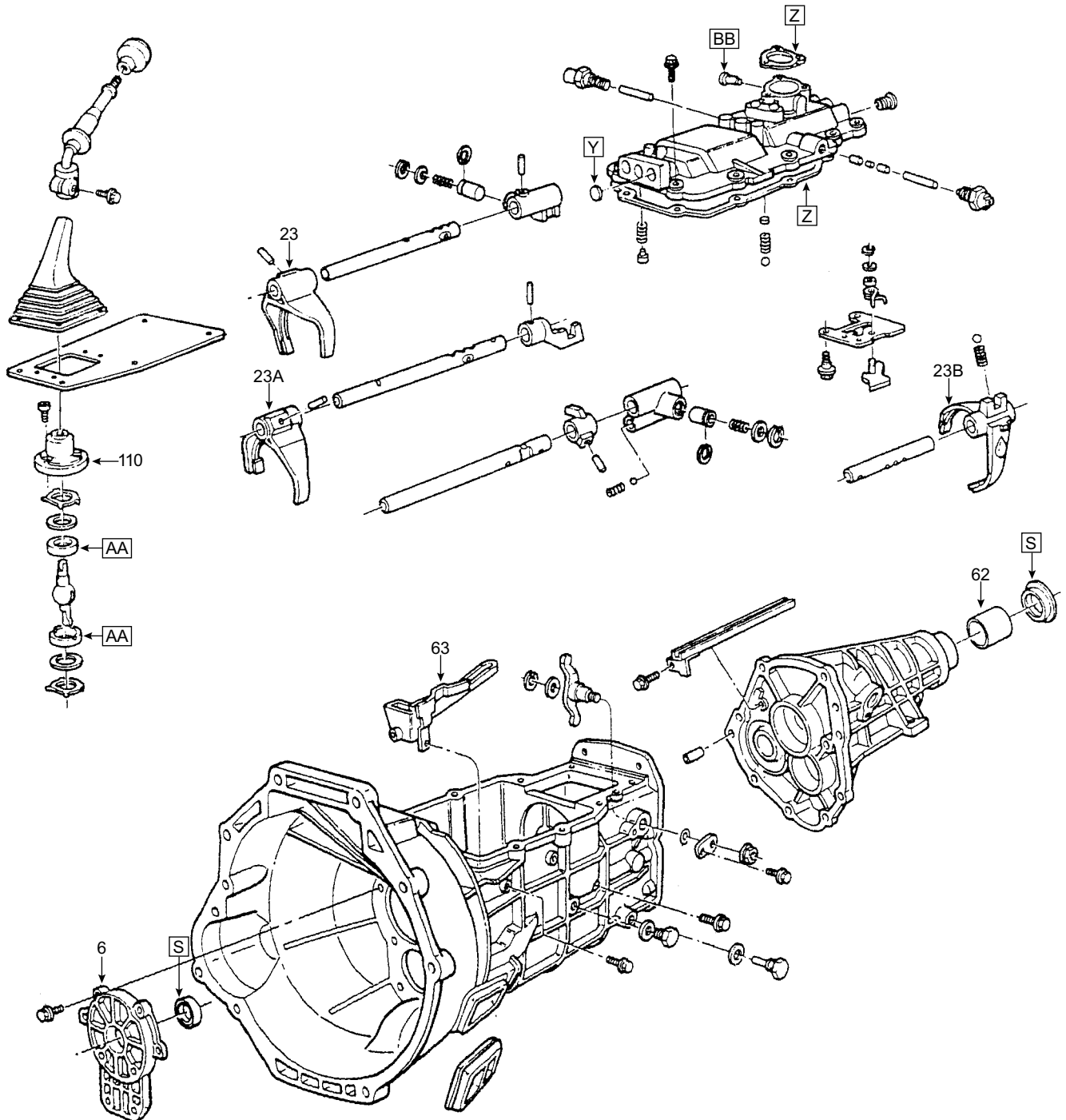
Position	Description	Specifications	Applications	Part Number
6	Front Bearing Retainer	w/Snout		83502685
6	Front Bearing Retainer	w/o Snout		83503112
8	Counter Shaft	Uses Nut, 45-31-20-14	84-10/88	AX5-8
8	Counter Shaft	Uses Snap Ring	10/88-On	AX5-8A
11	3rd Gear	27T		G52-11
15	Slider, 5th-Reverse Gear	For Aluminum Fork Only		G52-15
16	Input Shaft	Uses 20mm Wide I/S Brg.	84-87	AX5-16
16	Input Shaft	29T, 10 Spl. 10-1/2" OAL (Uses 23mm Wide I/S Brg.)	84-10/88	AX5-16A
16	Input Shaft	Uses 23mm Wide I/S Brg.	10/88-On	AX5-16B
18 & 19	5th Gear Kit	Includes M/S (24T) & C/S (45T)		G52-5
	5th Gear Needle Brg.			83500644
A	Input Shaft Brg.	20mm Wide I/S Brg.	84-87	ZB1043
A	Input Shaft Brg.	23mm Wide I/S Brg.	84-On	ZB1049
B	Main Shaft Pilot Brg.	83502680		N6X17-13
C	Main Shaft Rear Brg.	20mm Wide	84-87	ZB1044
C	Main Shaft Rear Brg.	21mm Wide	87-On	ZB1048
D	Countershaft Front Brg.			ZC1027
E	Countershaft Rear Brg.	18mm Wide	84-87	ZC1015
E	Countershaft Rear Brg.	20mm Wide	87-On	ZC1016
F	1st Gear Synchro Ring			ZSY1052
G	2nd Gear Synchro Ring			ZSY1052
H	3rd Gear Synchro Ring			ZSY1053
I	4th Gear Synchro Ring			ZSY1053
J	5th Gear Synchro Ring			ZSY1053
S	Input Shaft Seal			1981
S	Output Shaft Seal		2WD	223840
S	Output Shaft Seal		4WD	225010
Z	Gasket			Part of GT-FT130
Z	Adapter Gasket			GTC-NP1

Aisin Warner AX15

Position	Description	Specifications	Applications	Part Number
8	Counter Shaft		86-On	AX15-8
16	Input Shaft	29T, 10 Spl. 10-1/2" OAL	86-91	AX15-16
16	Input Shaft		92-On	AX15-16A
19	5th Gear (Counter Shaft)	47T, 33 Synchro Teeth, Includes Keys & Springs		AX15-19
A	Input Shaft Brg.			ZB1050
B	Main Shaft Pilot Brg.			ZN1025
C	Main Shaft Rear Brg.			ZB1053
D	Countershaft Front Brg.			ZC1002
E	Countershaft Rear Brg.			ZC1017
F	1st Gear Synchro Ring			ZSY1096
G	2nd Gear Synchro Ring			ZSY1096
H	3rd Gear Synchro Ring			ZSY1097
I	4th Gear Synchro Ring			ZSY1097
J	5th Gear Synchro Ring	36T		ZSY1097
J	5th Gear Synchro Ring	33T		ZSY1098
S	Input Shaft Seal			223253
S	Output Shaft Seal		2WD	223840
S	Output Shaft Seal		4WD	225010
Z	Adapter Gasket			GTC-NP1

Transmission Gearing & Related Parts

M5R1 and M5R2



□ = Contained in all kits.

○ = Contained in WS (With Synchros) kits.

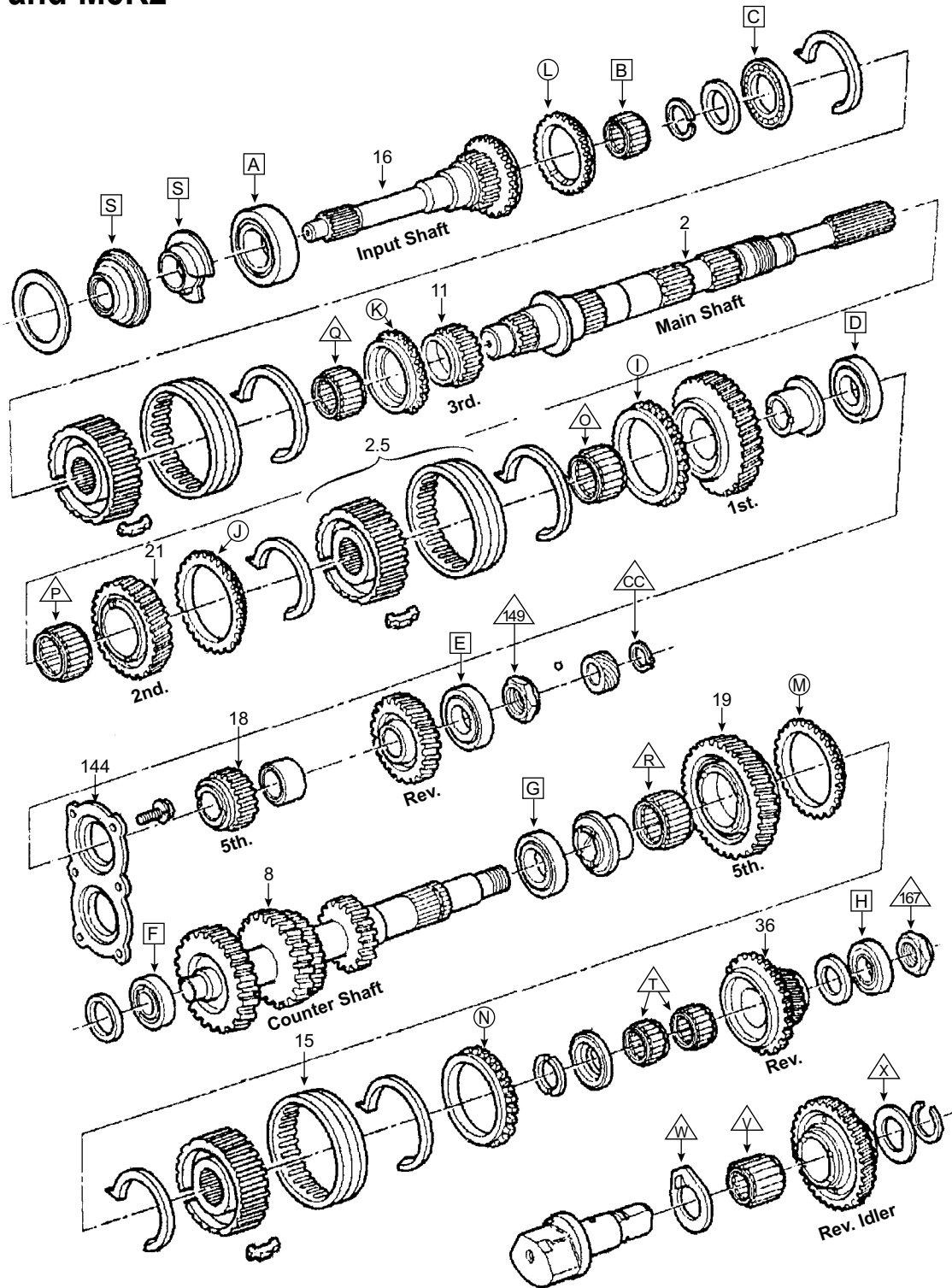
△ = Contained in N (With Needle Brgs.) kits

References to original equipment part numbers are for cross reference and identification purpose only.

LD Transmission

Transmission Gearing & Related Parts

M5R1 and M5R2



□ = Contained in all kits.

○ = Contained in WS (With Synchros) kits.

△ = Contained in N (With Needle Brgs.) kits

Transmission Gearing & Related Parts



M5R1

Position	Description	Specifications	Applications	Part Number
2	Main Shaft	28 Spl. (Yoke End) 21-1/2" OAL	2WD	M5R1-2A
2	Main Shaft	25 Spl. (Yoke End) 20" OAL	4WD	M5R1-2
2.5	3-4 Synchro Assy.	Hub, Slider, Springs & Keys and Synchro. Rings		M5R1-2.5A
6	Front Bearing Retainer			M5R1-6
8	Counter Shaft	38-32-24-16	2.3L, 2.9L & 3.0L	M5R1-8
8	Counter Shaft	38-34-25-17	4.0L	M5R1-8A
11	3rd Gear	29T		M5R1-11
11	3rd Gear	27T		M5R1-11A
15	Slider	5th-Rev. Non-Updated 36T	87-/1/90	M5R1-15
15	Slider	5th-Rev. Updated 30T	1/90-On	M5R1-15A
16	Input Shaft	23T, 23 Spline	2.3L, 2.9L & 3.0L	M5R1-16
16	Input Shaft	23T, 23 Spline	4.0L	M5R1-16A
18	5th Gear (Main Shaft)	Updated w/Spacer	1/90-On	M5R1-18A
19	5th Gear (Counter Shaft)	48T, Updated	1/90-On	M5R1-19A
21	2nd Gear	32T		M5R1-21
21	2nd Gear	31T		M5R1-21A
23	Shift Fork	1st-2nd Gear		M5R1-23
23A	Shift Fork	3rd-4th Gear		M5R1-23A
36	Rev. Gear	Non-Updated 17T, 36 Synchro Teeth	87-/1/90	M5R1-36
36	Rev. Gear	Updated 17T, 30 Synchro Teeth	1/90-On	M5R1-36A
62	Ext. Housing Bushing			M5R1-62
63	Oil Trough			M5R1-63
110	Shift Stick Rubber Retainer			E8TZ7277A-R
144	Rear Retainer Plate			M5R1-144
149	Main Shaft Nut			ZM1027
167	Counter Shaft Nut			ZM1029
15, 36 & N	Rev. Gear Kit	Rev. Gear, Slider and Synchro Ring (Non-Updated)	87-/1/90	M5R1-RK
15, 36 & N	Rev. Gear Kit	Rev. Gear, Slider and Synchro Ring (Updated)	1/90-On	M5R1-RKL
	Spring & Key Kit	1st-2nd & 3rd-4th Gear		M5R1-K3
A	Input Shaft Brg.			ZT1047
B	Main Shaft Pilot Brg.			ZN1044
C	Main Shaft Thrust Brg.			ZN1028
D	Main Shaft Front Brg.			ZT1036
E	Main Shaft Rear Brg.			ZB1060
F	Countershaft Front Brg.			ZC1021
G	Countershaft Center Brg.			ZC1033
H	Countershaft Rear Brg.			ZB1034
I	1st Gear Synchro Ring			ZSY1054
J	2nd Gear Synchro Ring			ZSY1054
K	3rd Gear Synchro Ring			ZSY1054
L	4th Gear Synchro Ring			ZSY1054
M	5th Gear Synchro Ring	36T Non-Updated	87-/1/90	ZSY1055
M	5th Gear Synchro Ring	30T Updated	1/90-On	ZSY1057
N	Rev. Gear Synchro Ring	30T Non-Updated	87-/1/90	ZSY1077
N	Rev. Gear Synchro Ring	24T Updated	1/90-On	ZSY1058
O	1st Gear Needle Brg.			ZN1124
P	2nd Gear Needle Brg.			ZN1124
Q	3rd Gear Needle Brg.			ZN1133
R	5th Gear Needle Brg.			ZN1126
S	Input Shaft Seal			1990
S	Input Shaft Oil Ring			BZ3541E
S	Input Shaft Oil Baffle			ZM1014
S	Output Shaft Seal		2WD	14900
S	Output Shaft Seal		4WD	1981
T	Rev. Gear Needle Brg.			ZN1134
U	Rev. Gear Thrust Washer			ZN1128
V	Rev. Idler Gear Needle Brg.			ZN1125
W	Rev. Idler Gear Thrust Washer			ZN1135
X	Rev. Idler Gear Thrust Washer			ZN1129
Y	Expansion Plug			ZM1013
Z	Gasket Set			GT-247
Z	Top Cover Gasket			GT-247R
AA	Shift Socket			ZM1008
BB	Shift Pin			M50-P1
CC	Main Shaft Snap Ring			ZM1028

References to original equipment part numbers are for cross reference and identification purpose only.

Transmission Gearing & Related Parts

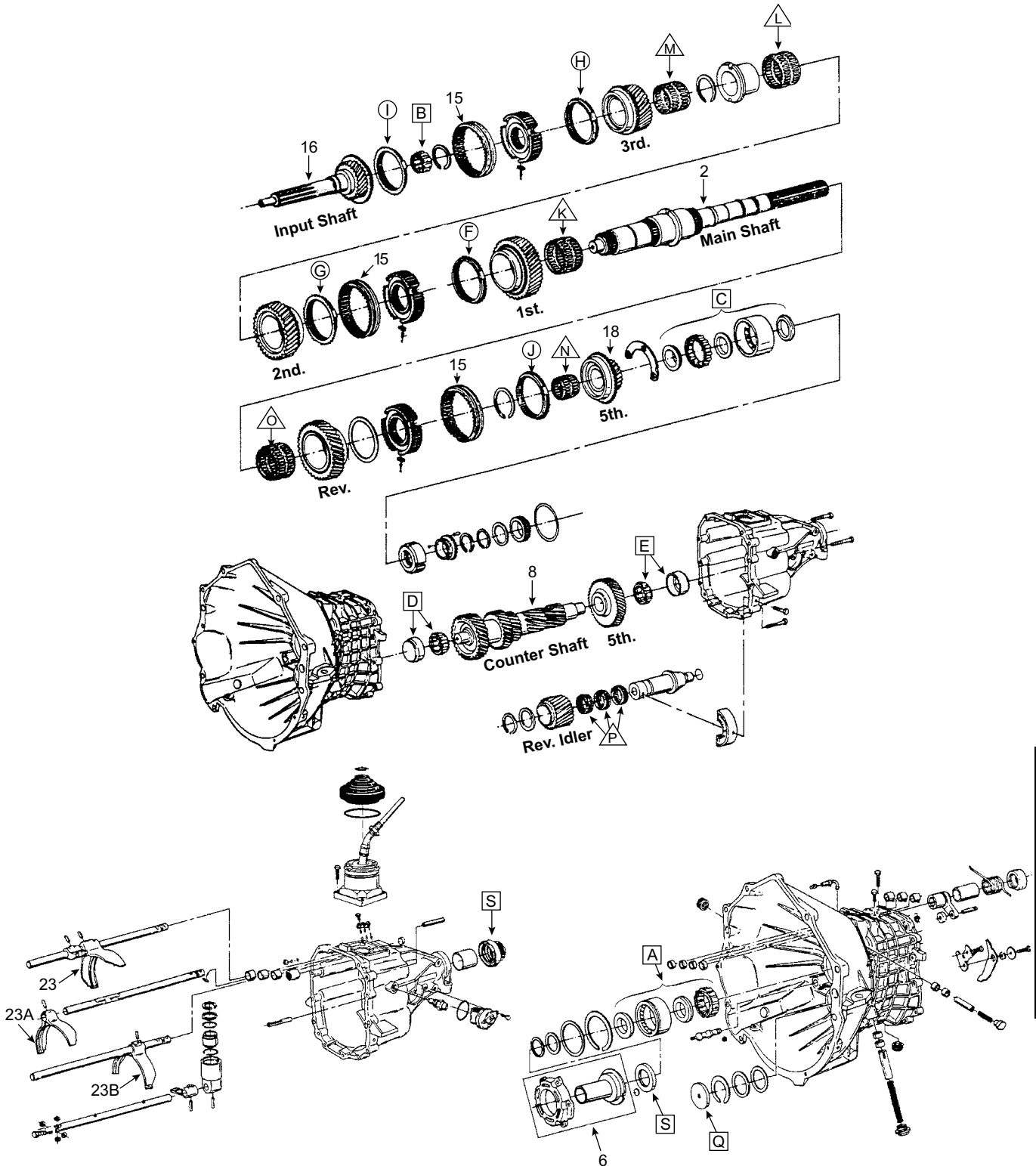
M5R2

Position	Description	Specifications	Applications	Part Number
2	Main Shaft		4WD	M5R2-2
2.5	3-4 Synchro Assy.	Hub & Slider		M5R2-2.5
2.5	3-4 Synchro Assy.	Hub, Slider, Keys & Springs		M5R2-2.5A
8	Counter Shaft	37-31-24-15		M5R2-8
11	3rd Gear	30T		M5R2-11
15	Slider	5th-Rev. Non-Updated 42T	87-/1/90	M5R2-15
15	Slider	5th-Rev. Updated 33T	1/90-On	M5R2-15A
16	Input Shaft	24T, 10 Spl, 11" OAL	88-95	M5R2-16
16	Input Shaft	24T, 10 Spl, 11-5/8" OAL	96-On	M5R2-16A
18	5th Gear (Main Shaft)	27T		M5R2-18
19	5th Gear (Counter Shaft)	Non-Updated	87-/1/90	M5R2-19
19	5th Gear (Counter Shaft)	52T, 33 Synchro Teeth, Updated	1/90-On	M5R2-19A
23	Shift Fork	1st-2nd Gear	88-95	M5R2-23
23	Shift Fork	1st-2nd Gear	96-On	M5R2-23AA
23A	Shift Fork	3rd-4th Gear	88-95	M5R2-23A
23A	Shift Fork	3rd-4th Gear	96-On	M5R2-23AB
23B	Shift Fork	5th-Rev. Gear Updated	1/90-On	M5R2-23B
36	Rev. Gear	15T Non-Updated	87-/1/90	M5R2-36
36	Rev. Gear	15T, 33 Synchro Teeth, Updated	1/90-On	M5R2-36A
62	Ext. Housing Bushing			M5R1-62
63	Oil Trough			M5R2-63
110	Shift Stick Rubber Retainer			E8TZ7277A-R
144	Rear Retainer Plate			M5R2-144
149	Main Shaft Nut			M5R2-149
167	Counter Shaft Nut			ZM1029
15, 36 & N	Rev. Gear Kit	Rev. Gear, Slider and Synchro Ring (Non-Updated)	87-/1/90	M5R2-RK
15, 36 & N	Rev. Gear Kit	Rev. Gear, Slider and Synchro Ring (Updated)	1/90-On	M5R2-RKL
	Spring & Key Kit	1st-2nd & 3rd-4th Gear		M5R2-K3
A	Input Shaft Brg.			ZT1087
B	Main Shaft Pilot Brg.			ZN1034
C	Main Shaft Thrust Brg.			ZN1035
D	Main Shaft Front Brg.			ZT1088
E	Main Shaft Rear Brg.			ZB1061
F	Countershaft Front Brg.			ZC1010
G	Countershaft Center Brg.			ZC1023
H	Countershaft Rear Brg.			ZB1034
I	1st Gear Synchro Ring			ZSY1059
J	2nd Gear Synchro Ring			ZSY1059
K	3rd Gear Synchro Ring			ZSY1059
L	4th Gear Synchro Ring			ZSY1059
M	5th Gear Synchro Ring	42T Non-Updated	87-/1/90	ZSY1054
M	5th Gear Synchro Ring	33T Updated	1/90-On	ZSY1060
N	Rev. Gear Synchro Ring	36T Non-Updated	87-/1/90	ZSY1056
N	Rev. Gear Synchro Ring	30T Updated	1/90-On	ZSY1061
O	1st Gear Needle Brg.			ZN1124
P	2nd Gear Needle Brg.			ZN1124
Q	3rd Gear Needle Brg.			ZN1123
R	5th Gear Needle Brg.			ZN1126
S	Input Shaft Seal			223012
S	Input Shaft Oil Ring			ZM1015
S	Input Shaft Oil Baffle			BZ3421E
S	Output Shaft Seal		2WD	14900
S	Output Shaft Seal		4WD	223608
T	Rev. Gear Needle Brg.			ZN1071
U	Rev. Gear Thrust Washer			ZN1128
V	Rev. Idler Gear Needle Brg.			ZN1132
W	Rev. Idler Gear Thrust Washer			ZN1130
X	Rev. Idler Gear Thrust Washer			ZN1131
Y	Expansion Plug			ZM1013
Z	Gasket Set			GT-248
Z	Top Cover Gasket			GT-248R
AA	Shift Socket			ZM1008
BB	Shift Pin			M50-P1
CC	Main Shaft Snap Ring			ZM1028

References to original equipment part numbers are for cross reference and identification purpose only.

Transmission Gearing & Related Parts

New Venture 3500/Getrag HM290/5LM60



□ = Contained in all kits.

○ = Contained in WS (With Synchros) kits.

△ = Contained in N (With Needle Brgs.) kits

References to original equipment part numbers are for cross reference and identification purpose only.

LD Transmission

Transmission Gearing & Related Parts

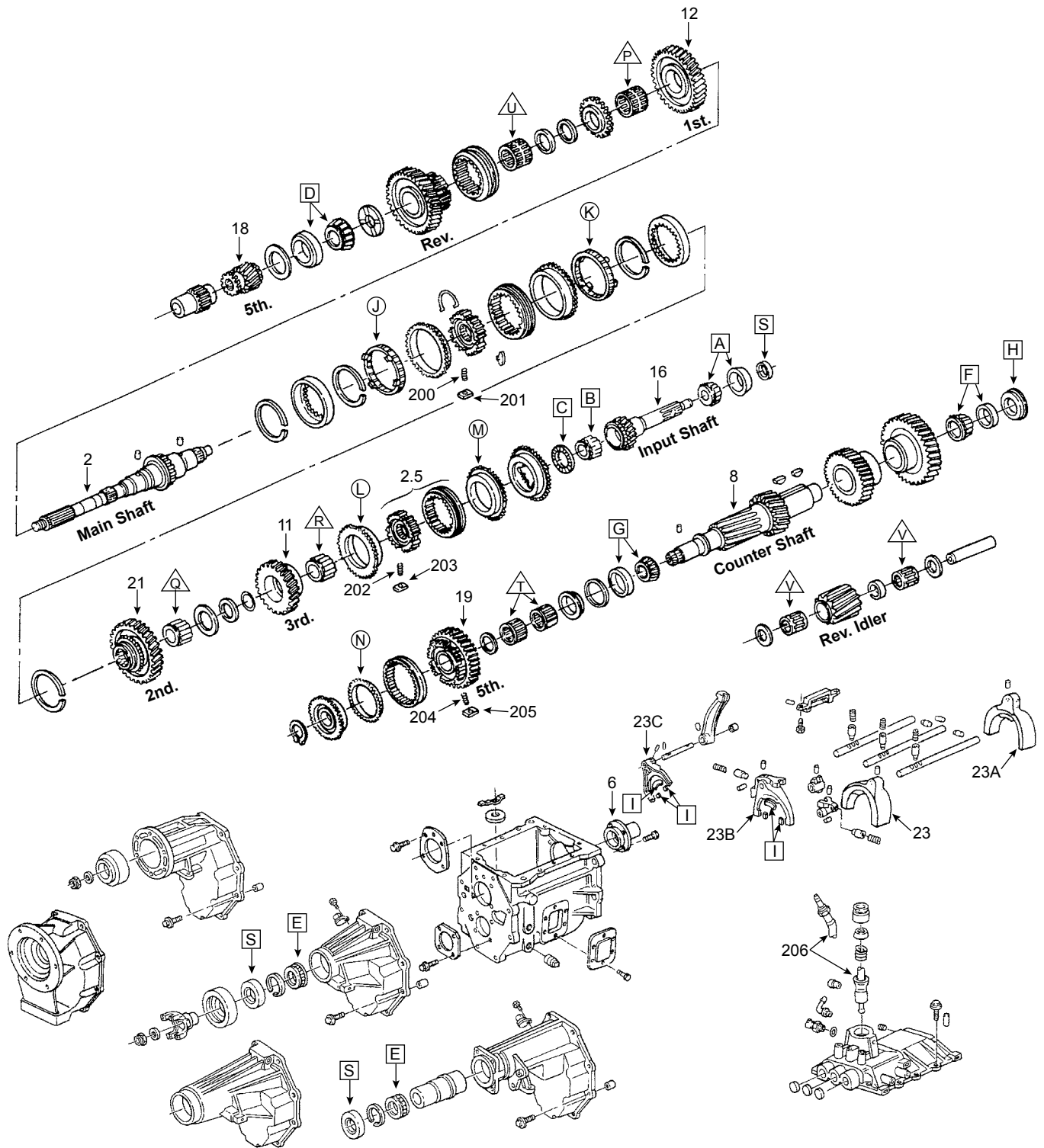
New Venture 3500/Getrag HM290/5LM60

Position	Description	Specifications	Applications	Part Number
2	Main Shaft	Fits 1st & 2nd Design	4WD, 88-91	290-2
2	Main Shaft	Fits 3rd Design	4WD, 91-On	290-2A
6	Front Bearing Retainer	Fits 1st & 2nd Design	88-91	290-6N
6	Front Bearing Retainer	Fits 3rd Design	91-On	290-6A
8	Counter Shaft	34-28-22-14-43, 1" Journal	88-91, GM	290-8R
8	Counter Shaft	34-28-22-14-14, 1.18" Journal	91-93, GM	290-8AR
8	Counter Shaft	34-28-22-14(Long), 1.18" Journal	94-On, GM & Dodge	290-8BR
8	Counter Shaft	34-28-23-15-14(1.2" wide)-37, 1.18" Journal	96-On, GM S-10	290-8CR
8	Counter Shaft	34-28-23-15-14(2.4" wide)-37, 1.18" Journal	94-On, GM & Dodge	290-8DR
8	Counter Shaft	34-28-23-15-14-43, 1.31" Journal	96-On, GM	290-8ER
8	Counter Shaft	46-37-22-14(Long)-52, 1.18" Journal	97-On Dodge	290-8FR
15	Slider	42T, 1st-2nd Gear		290-15
15	Slider	42T, 3rd-4th Gear		290-15
15	Slider	42T, 5th-Rev. Gear		290-15
16	Input Shaft	26T, 10 Spl, 9-5/8" OAL (w/Step, Fits 1st & 2nd Design)	88-91, GM	290-16R
16	Input Shaft	26T, 10 Spl, 9-5/8" OAL (w/o Step, Fits 3rd Design)	91-95, GM	290-16AR
16	Input Shaft	26T, 10 Spl, 10-5/8" OAL	94-On, Dodge	290-16BR
16	Input Shaft	26T, w/o Step, 3 id Rings	96-On, GM	290-16CR
16	Input Shaft	35T, 10 Spl, 10-1/2" OAL	97-On, Dodge	290-16FR
18	5th Gear (Main Shaft)	24T, Fits 1st & 2nd Design	88-91, GM	290-18
23	Shift Fork	1st-2nd Gear	88-92, GM	290-23
23A	Shift Fork	3rd-4th Gear	88-92, GM	290-23A
23B	Shift Fork	5th-Rev. Gear	88-92, GM	290-23B
A	Input Shaft Brg.	3 Piece Brg., 1st & 2nd Design	88-91	ZB1024
A	Input Shaft Brg.	Ball Brg., 3rd Design	91-On	ZB1055
B	Main Shaft Pilot Brg.	Fits 1" Pilot Journal		ZN1036
B	Main Shaft Pilot Brg.	Fits 1.18" Pilot Journal	96-On GM	ZN1037
C	Main Shaft Brg.	3 Piece Brg., 1st Design	88-89	ZB1024
C	Main Shaft Brg.	Ball Brg., 2nd & 3rd Design	90-On	ZB1055
D	Countershaft Front Brg.	1st & 2nd Design, Fits 1" Journal	88-91	ZN1036
D	Countershaft Front Brg.	3rd Design, Fits 1.18" Journal	91-On	ZN1037
D	Countershaft Front Brg.	Fits 1.31" Journal	96-On GM	ZN1114
E	Countershaft Rear Brg.	1st & 2nd Design, Fits 1" Journal	88-91	ZN1036
E	Countershaft Rear Brg.	3rd Design, Fits 1.18" Journal	91-On	ZN1037
E	Countershaft Rear Brg.	Fits 1.31" Journal	96-On GM	ZN1114
F	1st Gear Synchro Ring	1-Piece Ring		ZSY1076
F	1st Gear Synchro Ring	3-Piece Ring		ZSY1173
G	2nd Gear Synchro Ring	1-Piece Ring		ZSY1076
G	2nd Gear Synchro Ring	3-Piece Ring		ZSY1173
H	3rd Gear Synchro Ring			ZSY1076
I	4th Gear Synchro Ring			ZSY1076
J	5th Gear Synchro Ring			ZSY1076
	Rev. Gear Synchro Ring			ZSY1210
K	1st Gear Needle Brg.		88-94	ZN1115
K	1st Gear Needle Brg.		95	ZN1117
L	2nd Gear Needle Brg.		88-94	ZN1115
L	2nd Gear Needle Brg.		95	ZN1116
M	3rd Gear Needle Brg.		88-95	ZN1118
N	5th Gear Needle Brg.		88-93	ZN1120
N	5th Gear Needle Brg.		94-95	ZN1119
O	Rev. Gear Needle Brg.		88-95	ZN1115
P	Rev. Idler Needle Brg.		88-89	FW404820
P	Rev. Idler Needle Brg.		89-93	ZN1122
P	Rev. Idler Needle Brg.		94-95	ZN1121
Q	Countershaft Plug			AD2285
S	Input Shaft Seal			4529-N
S	Output Shaft Seal		2WD Full Size GM	4528-N
S	Output Shaft Seal		2WD S-10	4530
S	Output Shaft Seal		4WD GM	4532-N
S	Output Shaft Seal		2WD Dodge	7300-S
S	Output Shaft Seal		4WD Dodge	4528-N
	Small Parts Kit			SPK-235

References to original equipment part numbers are for cross reference and identification purpose only.

Transmission Gearing & Related Parts

New Venture 4500



- = Contained in all kits.
- = Contained in WS (With Synchros) kits.
- △ = Contained in N (With Needle Brgs.) kits

Transmission Gearing & Related Parts

New Venture 4500

Position	Description	Specifications	Applications	GMC Reference #	Dodge Reference #	Part Number
2	Main Shaft		GMC 2WD (91-93)	15637463		NV17276
2	Main Shaft	20-1/4" OAL	GMC 2WD (94-00) w/o Parking Brake	12382817		NV25330(-R)
2	Main Shaft		GMC 2WD (94-00) w/Parking Brake	12382819		NV25332
2	Main Shaft		GMC 2WD (01-02)	12382892		NV33308
2	Main Shaft		GMC 4WD (91-02)	12382861		NV27170(-R)
2	Main Shaft		Dodge 2WD (92-93)		4637711	NV17281
2	Main Shaft		Dodge 4WD (92-93)		4637714	NV17280
	Main Shaft		Dodge 2WD (92-97) 5.9L Gas		5003219AA	NV27172
2	Main Shaft		Dodge 2WD (98-02) 5.9L Gas		5003037AA	NV27174-Obsolete
2	Main Shaft		Dodge 2WD (94-02) 5.9L Diesel, 8.0L		5003038AA	NV27175
2	Main Shaft		Dodge 4WD (94-99) 5.9L Gas		5003215AA	NV27171
2	Main Shaft		Dodge 4WD (94-99) 5.9L Diesel, 8.0L		5003218AA	NV27173(-R)
2	Main Shaft		Dodge 2WD (00-02) 5.9L Gas		5016383AA	NV33293
2	Main Shaft		Dodge 4WD (00-02) 5.9L Gas		5016385AA	NV33291
2	Main Shaft		Dodge 4WD (00-02) 5.9L Diesel, 8.0L		5016386AA	NV33292
2	Main Shaft	31 Spl, 24-5/16" OAL	Dodge 2WD Diesel			NV27176(-R)
2	Main Shaft		Dodge 4WD Gas			NV27171
2	Main Shaft	29 Spl, 14-1/2" OAL	Dodge 4WD Diesel			NV27173(-R)
2.5	3-4 Synchro Assy.		GMC (91-93)	15637287		NV17301
2.5	3-4 Synchro Assy.		GMC (94-03)	12542865		NV18412
2.5	3-4 Synchro Assy.		Dodge (94-03)		4740824	NV18412
6	Front Bearing Retainer		GMC (91-96)	15665238		NV17507(-R)
6	Front Bearing Retainer		GMC (97-02)	12549369		NV22414(-R)
6	Front Bearing Retainer		Dodge (92-93)		4713787	NV17508
6	Front Bearing Retainer		Dodge (94-02) 5.2L, 5.9L Gas		4741542	NV18347
6	Front Bearing Retainer		Dodge (94-02) 5.9L Diesel, 8.0L		4741543	NV18161
6	Front Bearing Retainer		Dodge (94-02) 5.9L Diesel, 8.0L-Used with Aftermarket input Shaft-1 3/8"			NV18161-M
8	Counter Shaft		Dodge (92-11/95)		4637700	NV14015
8	Counter Shaft		Dodge (11/95-96)		4856072	NV22415
8	Counter Shaft	38-30-21-12	Dodge (97-02)		4882367	NV22657(-R)
8	Counter Shaft		GMC (91-95)	12542557		N/A
8	Counter Shaft	38-30-21-12	GMC (96-03)	12382834		NV22657(-R)
11	3rd Gear		Dodge (92-93)		4637735	NV17296
11	3rd Gear		Dodge (94-96)		4773011	NV18918
11	3rd Gear		Dodge (97-02)		4874369	NV23712(-R)
11	3rd Gear		GMC (91-94)	12547205		NV18922(-R)
11	3rd Gear	29T	GMC (95-03)	12382792		NV23712
12	1st Gear		Dodge (92-02)	15637279	4637728	NV17290
12	1st Gear		GMC (91-03)	15637279		NV17290
16	Input Shaft		Dodge (92-93)	4637756	4637772	NV17303
16	Input Shaft		Dodge (94-96) 5.2L, 5.9L Gas		4741540	NV18358
16	Input Shaft		Dodge (94-96) 5.9L Diesel, 8.0L		4741541	NV18160
16	Input Shaft	22T 10 Spl, 10" OAL (1.104" Clutch Spline Diameter)	Dodge (97-02) 5.9L Gas		4882357	NV25354
16	Input Shaft	22T 10 Spl, 10" OAL (1.205" Clutch Spline Diameter)	Dodge (97-02) 5.9L Diesel, 8.0L		4882358	NV25356
16	Input Shaft	20T 10 Spl, 9" OAL	GMC (91-94)	15637293		NV17310
16	Input Shaft	20T 10 Spl, 9" OAL	GMC (95)	15637293		NV17310
16	Input Shaft		GMC (95)	12382877		NV26205
16	Input Shaft		GMC (96-03)	12382877		NV26205
18	5th Gear (Main Shaft)		Dodge (92-00) 5.2L, 5.9L Gas		4637798	NV16999(-R)
18	5th Gear (Main Shaft)		Dodge (01-02) 5.9L Gas	4741551	4741551	NV18164
18	5th Gear (Main Shaft)		Dodge (94-02) 5.9L Diesel, 8.0L		4741551	NV18164

References to original equipment part numbers are for cross reference and identification purpose only.

Transmission Gearing & Related Parts



New Venture 4500 Continued

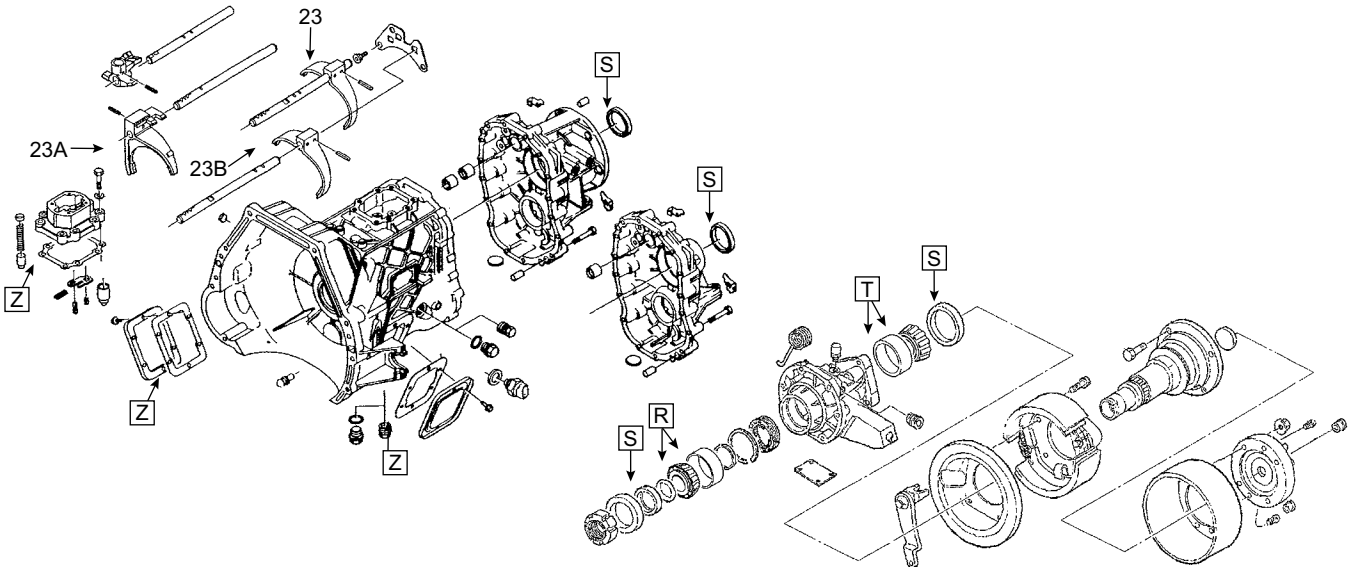
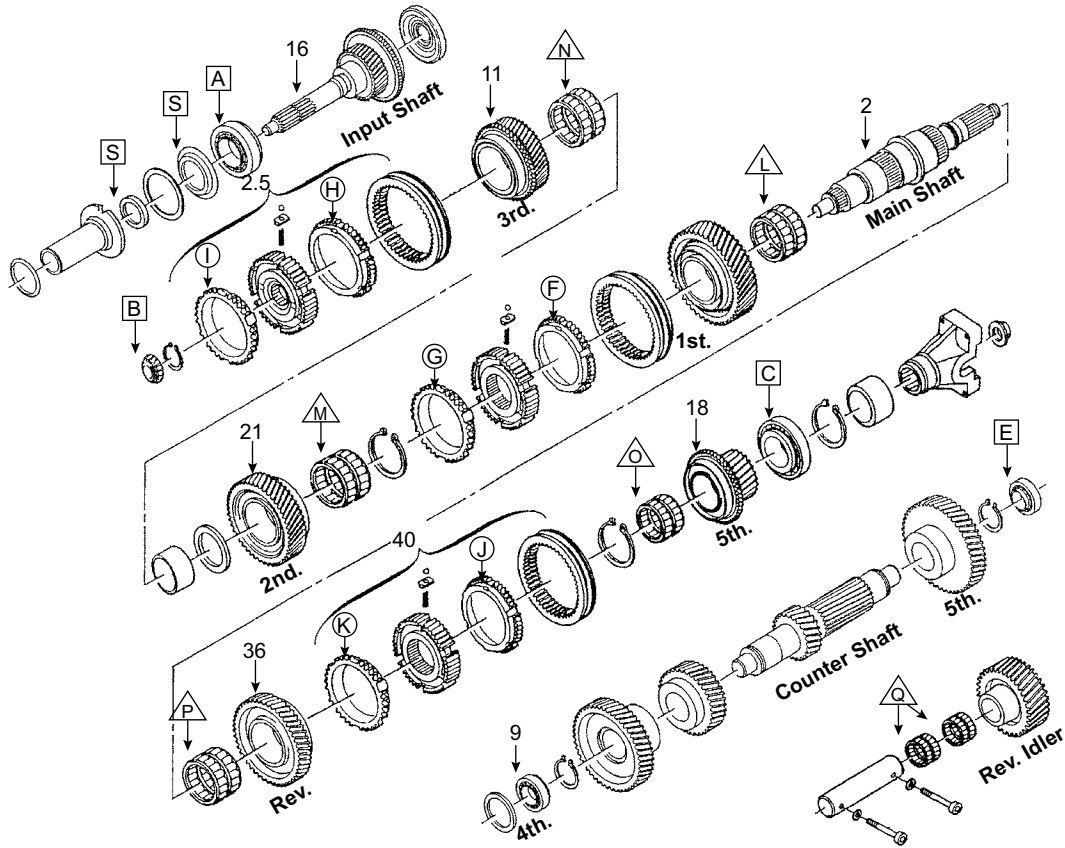
Position	Description	Specifications	Applications	GMC Reference #	Dodge Reference #	Part Number
18	5th Gear (Main Shaft)		GMC (91-93)	15635278		NV16799(-R)
18	5th Gear (Main Shaft)		GMC (94-03)	12548339		NV16999(-R)
19	5th Gear (Counter Shaft)	51T	Dodge (92-02)		4637786	NV17318(-R)
19	5th Gear (Counter Shaft)		GMC (91-94)	15637296		NV17317(-R)
19	5th Gear (Counter Shaft)		GMC (95)	12548338		NV17318(-R)
19	5th Gear (Counter Shaft)	50T with Slider and Keys	GMC (96-03)	12548337		NV17582(-R)
21	2nd Gear		Dodge (92-02)		4637730	NV17293(-R)
21	2nd Gear		GMC (91-03)	15637281		NV17293(-R)
N/A	Mainshaft Nut		Dodge 5.9L Diesel, 8.0L Gas		5013887AA	NV27133-R
N/A	Mainshaft Nut		GM, Dodge 5.2L, 5.9L Updated with Dampener			NV27134M
A	Input Shaft Brg.		Dodge (92-02)			ZT1010-ZT1009
A	Input Shaft Brg.		GMC (91-95)			ZT1010-ZT1009
A	Input Shaft Brg.		GMC (96-03)			ZT1010-NP728109
B	Main Shaft Pilot Brg.					ZN1003
C	Main Shaft Thrust Brg.					ZN1013
D	Main Shaft Brg.					ZT1084-ZT1083
E	Extension Housing Brg.					ZN1030
F	Countershaft Front Brg.					ZT1006-ZT1005
G	Countershaft Rear Brg.					ZT1008-ZT1007
H	Countershaft Plug					ZM1005
I	Fork Pads		Center			4219073
I	Fork Pads		Tip			4167969
J	1st Gear Synchro Ring					ZSY1115
K	2nd Gear Synchro Ring					ZSY1115
L	3rd Gear Synchro Ring					ZSY1116
M	4th Gear Synchro Ring					ZSY1116
N	5th Gear Synchro Ring					ZSY1114
O	Rev. Gear Synchro Ring		Req'd for Dodge Only			ZSY1114
P	1st Gear Needle Brg.					ZN1005
Q	2nd Gear Needle Brg.					ZN1005
R	3rd Gear Needle Brg.					ZN1006
S	Input Shaft Seal		Dodge (92-02)			714655
S	Input Shaft Seal		GMC (91-95)			714655
S	Input Shaft Seal		GMC (96-02)			21901
S	Output Shaft Seal		Dodge (2WD)			7300-S
S	Output Shaft Seal		Dodge (2WD-V10)			4741
S	Output Shaft Seal		Dodge (4WD)		4269956	710058
S	Output Shaft Seal		GMC (With Parking Brake)			4670-N
S	Output Shaft Seal		GMC (Without Parking Brake)			410085-N
S	Output Shaft Seal		GMC (P Series With Parking Brake)			1943
S	Output Shaft Seal		GMC (P Series Without Parking Brake)			224850
T	5th Gear Needle Brg.					ZN1010
U	Rev. Gear Needle Brg.					ZN1004
V	Rev. Idler Needle Brg.		(91-96)			ZN1007
V	Rev. Idler Needle Brg.		(97-0n)			ZN1214
	Mainshaft Shim Kit					NV16811
	Countershaft Shim Kit					NV16853
	Small Parts Kit					SPK-4500
	1st-2nd Gear Key and Spring Set					NV4500-K1
	3rd-4th Gear Key and Spring Set					NV4500-K2
	5th-Rev. Gear Key and Spring Set					NV4500-K3
	Needle Bearing Kit		92-96			NK-NV1
	Needle Bearing Kit		97-04			NK-NV3
	Extension Housing Bushing	2.010" OD				297-62

References to original equipment part numbers are for cross reference and identification purpose only.

LD Transmission

Transmission Gearing & Related Parts

ZF S5-42, S5-47, S5-47M



- = Contained in all kits.
- = Contained in WS (With Synchronizers) kits.
- △ = Contained in N (With Needle Bearings) kits.

LD Transmission

Transmission Gearing & Related Parts

ZF S5-42, S5-47, S5-47M

Description	Specifications	Applications	Model#s	Assembly#s	Part Number
Mainshaft	20" Length	4WD	S5-42	118	1307-304-353
Mainshaft	20" Length	4WD	S5-47	002	1307-304-353
Mainshaft	18 3/4" Length	4WD	S5-42	100, 102, 103, 109, 111, 120	ZF42-2
Mainshaft	16 3/8" Length	2WD	S5-42	050, 051, 053, 054, 056, 057, 059, 064, 108, 110	ZF42-2A
Mainshaft	18 3/4" Length	4WD	S5-47/S5-47M	004, 007, 012, 013, 008, 016, 020	ZF42-2
Mainshaft	16 3/8" Length	2WD	S5-47/S5-47M	001, 003, 006, 014, 016, 020	ZF42-2A
3-4 Synchro. Assy.			S5-42	All	ZF42-2.5
3-4 Synchro. Assy.- Includes Synchro. Rings			S5-42	All	ZF42-2.5A
3-4 Synchro. Assy.			S5-47/S5-47M	All	ZF47-2.5
3-4 Synchro. Assy.- Includes Synchro. Rings			S5-47/S5-47M	All	ZF47-2.5A
Countershaft (w-o press on gears) 21T/14T 1st,2nd,Rev.			S5-42	All	ZF42-3
Countershaft (w-o press on gears) 26T/14T 1st,2nd,Rev.			S5-42	All	ZF42-3A
Bearing Retainer			S5-42	All	ZF42-6
Bearing Retainer	1317-302-041		S5-47/S5-47M	003/004/006/007/012/013	ZF47-6
Countershaft 4th Gear	45T		S5-42	050, 051, 053, 054, 059, 064, 102, 110, 111, 118, 120	ZF42-9
Countershaft 4th Gear	45T		S5-47/S5-47M	001, 002, 006, 007, 013, All S5-47M	ZF42-9
Countershaft 4th Gear	41T		S5-42	056, 057, 100, 103, 108, 109	ZF42-9A
Countershaft 4th Gear	43T		S5-47	003, 004, 012	ZF47-9B
3rd Gear	30T		S5-42	050, 051, 053, 054, 059, 064, 102, 110, 111, 118, 120	ZF42-11
3rd Gear	40T		S5-42	056, 057, 100, 103, 108, 109	ZF42-11A
3rd Gear	31T		S5-47	3,004,012	ZF47-11
3rd Gear	1317-204-006, 30T		S5-47/S5-47M	001,002,006,007,013, All S5-47M	ZF47-11A
1st Gear	48T		S5-42	All	ZF42-12
1st Gear	48T		S5-47/S5-47M	All	1317-204-032
Input Shaft	27T, 10 Spl, 11-3/4" OAL		S5-42	050, 051, 064, 118	ZF42-16B
Input Shaft	27T 9-1/2" OAL		S5-42	053, 054, 059, 102, 110, 111, 120	ZF42-16
Input Shaft	34T, 10 Spl, 9-5/8" OAL		S5-42	056, 057, 100, 103, 108, 109	ZF42-16A
Input Shaft	1317-202-016, 29T, 9-1/2" OAL		S5-47	003, 004, 012	ZF47-16B
Input Shaft	27T, 11-3/4" OAL		S5-47	001, 002	1317-202-015
Input Shaft	27T, 9-1/2" OAL		S5-47	006, 007, 013	1317-202-017
Input Shaft	1317-202-033, 27T, 12-3/8" OAL		S5-47M	All	ZF47-16C
Mainshaft 5th Gear	26T		S5-42	050, 051, 053, 054, 059, 064, 102,	ZF42-18
Mainshaft 5th Gear	30T		S5-42	056, 057, 100, 103, 108, 109	ZF42-18A
Mainshaft 5th Gear	25T		S5-47	30,040,120	ZF47-18
Mainshaft 5th Gear	25T		S5-47/S5-47M	001,002,006,007,013, All S5-47M	1317-204-018
Countershaft 5th Gear	57T		S5-42	050/051/053/054/059/064/102/110/111/118/120	ZF42-19
Countershaft 5th Gear	47T		S5-42	056/057/100/103/108/109	ZF42-19A
Countershaft 5th Gear	1317-303-016, 48T		S5-47/S5-47M	003/004/012	N/A

Transmission Gearing & Related Parts

ZF S5-42, S5-47, S5-47M Continued

Description	Specifications	Applications	Model#s	Assembly#s	Part Number
2nd Gear	37T		S5-42	050, 051, 053, 054, 059, 064, 102,	ZF42-21A
2nd Gear	51T		S5-42	056, 057, 100, 103, 108, 109	ZF42-21
2nd Gear	37T		S5-47/S5-47M	All	ZF47-21
1st-2nd Gear Shift	1307-298-933	Fork Only, No Rail. Fits only S5-42 and S5-47	S5-42/S5-47/S5-47M	All	ZF42-23
3rd-4th Gear Shift Fork	1307-206-003		S5-42/S5-47/S5-47M	All	ZF42-23A
5th-Rev. Gear Shift Fork	1307-306-019		S5-42/S5-47/S5-47M	All	ZF42-23B
Countershaft 3rd gear	34T		S5-42	All	ZF42-34
Countershaft 3rd gear	31T		S5-42	All	ZF42-34A
Countershaft 3rd gear	1317-303-013, 30T		S5-47/S5-47M	All	N/A
Countershaft 3rd gear	31T		S5-47/S5-47M	All	1317-303-012
Mainshaft Rev. Gear	1307-304-590, 1307-204-297, 44T		S5-42	All	ZF42-36
Mainshaft Rev. Gear	44T		S5-47/S5-47M	All	ZF47-36A
5th-Rev. Gear Synchro. Assy.	1307-204-239		S5-42	All	ZF42-40
5th-Rev. Gear Synchro. Assy.-Includes Synchro. Rings			S5-47/S5-47M	All	ZF47-40A
5th-Rev. Gear Synchro. Assy.-Includes Synchro. Rings			S5-42	All	ZF42-40A
5th-Rev. Gear Synchro. Assy.			S5-47/S5-47M	All	ZF47-40
1-2 Hub and Slider			S5-42	All	ZF42-80
1-2 Hub and Slider-Includes Synchro. Rings			S5-47/S5-47M	All	1307-204-243
1-2 Hub and Slider			S5-47/S5-47M	All	ZF47-80
1-2 Hub and Slider-Includes Synchro. Rings			S5-47/S5-47M	All	ZF47-80A
3-4 Synchro. Hub			S5-42	All	ZF42-111
3-4 Synchro. Hub			S5-47/S5-47M	All	ZF47-111
3-4, 5th-Rev. Slider			S5-42	All	ZF42-116
1-2 Slider			S5-47/S5-47M	All	ZF47-128
1-2 Slider			S5-42	All	ZF42-128
5th-Rev. Synchro Hub			S5-42	All	ZF42-131
5th-Rev. Synchro Hub			S5-47/S5-47M	All	ZF47-131
3-4, 5th-Rev. Slider	1307-304-372		S5-42	All	ZF42-136
3-4, 5th-Rev. Slider	1317-304-158		S5-47/S5-47M	All	ZF47-136A
Key, Spring and Ball Kit			S5-42	All	S542-K
Key, Spring and Ball Kit			S5-47/S5-47M	All	S547-K
Input Shim Kit			S5-42/47/47M	All	ZF42-SMK
Snap Ring Kit				All	SRK1307
Input Shim Kit			S5-42/47/47M	All	
Snap Ring Kit	SRK1307				

Transmission Gearing & Related Parts

ZF S5-42, S5-47, S5-47M Continued

Description	Specifications	Applications	Model#’s	Assembly#’s	Part Number
Input Shaft Brg.			S5-42/S5-47/ S5-47M		ZT1096-ZT1097
Mainshaft Pilot Brg.			S5-42/S5-47/ S5-47M		ZT1101
Mainshaft Rear Brg.			S5-42/S5-47/ S5-47M		ZT1098-ZT1097
Countershaft Front Brg.			S5-42/S5-47/ S5-47M		ZT1099-ZT1100
Countershaft Rear Brg.			S5-42/S5-47/ S5-47M		ZT1099-ZT1100
1st Gear Brg.			S5-42/S5-47/ S5-47M		ZN1055
2nd Gear Brg.			S5-42/S5-47/ S5-47M		ZN1057
3rd Gear Brg.			S5-42/S5-47/ S5-47M		ZN1057
3rd Gear Brg. Inner Race			S5-42/S5-47/ S5-47M		ZN1056
Mainshaft 5th Gear Brg.			S5-42/S5-47/ S5-47M		ZN1058
Mainshaft Rev. Gear Brg.			S5-42/S5-47/ S5-47M		ZN1055
Rev. Idler Gear Brg.			S5-42/S5-47/ S5-47M		ZN1059
Shift Lever Brg.			S5-42/S5-47/ S5-47M		ZN1060
Input Shaft Seal		35x50x7	S5-42/S5-47		3771
Input Shaft Seal		38x50x7	S5-47M		14703
Ext. Housing Seal		4WD	S5-42/S5-47/ S5-47M		15803
Ext. Housing Seal		2WD	S5-42/S5-47/ S5-47M		225010
Oil Baffle			S5-42/S5-47/ S5-47M		E7TZ7040A
Oil Ring			S5-42/S5-47/ S5-47M		F4TZ7046A
Front Brg. Retainer O-Ring			S5-42/S5-47/ S5-47M		ZM1004
Detent Pin Plug			S5-42/S5-47/ S5-47M		ZM1035
Detent Pin Plug			S5-42/S5-47/ S5-47M		ZM1036
Sealing Plug			S5-42/S5-47/ S5-47M		ZM1035
Gear Shift Gasket			S5-42		Part of GT-300ZF
PTO Cover Gasket			S5-42		Part of GT-300ZF
Synchro. Ring Kit			S5-42	All	SK-ZF1A
Synchro. Ring Kit			S5-47/S5-47M	All	SK-ZF2A
Needle Bearing Kit			S5-42/S5-47/ S5-47M		NK-ZF1
Gasket Set			S5-42		GT-300ZF

Transmission Gearing & Related Parts

ZF S6-650/750

Description	Specifications	Applications	Model#s	Assembly#s	Part Number
Mainshaft	1319-304-069	2WD	S6-650	004/005/022	ZFS6-2
Mainshaft	1319-304-094, High Torque	4WD	S6-650	025/036/044/046	ZFS6-2B
Mainshaft	1319-304-099	2WD	S6-750	001/004/006	1319-304-099
Mainshaft	1319-304-070	4WD	S6-750		ZFS6-2A
Mainshaft	1319-304-108	4WD	S6-750	003/005/007	ZFS6-2E
3-4 Synchro. Assy.	1319-304-125		S6-650	All	ZFS6-2.5
3-4 Synchro. Assy.	1319-204-039		S6-750	All	1319-204-039
Countershaft 3rd Gear	1319-303-050		S6-650/S6-750	All	ZFS6-34
Front Bearing Retainer	1319-302-009	Ford Only	S6-650/S6-750	All	ZFS6-6
Input Shim			S6-650	All	ZFS6-SMK
Cluster Gear	1319-203-024, 39-35-25-19-12 Tooth Counts		S6-650/S6-750	"001/003/004/005/006/007 008/009/010/011-does not fit 083/084/085/086"	ZFS6-8
4th Gear	1319-303-049, 39T		S6-650/S6-750	"001/003/004/005/006/007 008/009/010/011-does not fit 083/084/085/086"	ZFS6-9
3rd Gear	1319-204-011, 27T		S6-650/S6-750	All	ZFS6-11
1st Gear	1319-304-077, 37T		S6-650/S6-750		ZFS6-12
Input Shaft	1319-202-026, 23T, 10 3/8" Length	Ford Only	S6-650	004/005/006/022/023/024/0 25/036/037/045/046/049	ZFS6-16
Input Shaft	1319-202-017	GM	N/A	N/A	N/A
Input Shaft	1319-202-024, 23T, 11.375"Length, .970" Pilot	Ford Only	S6-750	001/003/004/005/006/007	ZFS6-16B
Input Shaft	1319-202-018, 23T, 14.5" Length, 1.5" Clutch splines	GM	S6-650		N/A
Input Shaft	1319-202-023		S6-650	043/044/053/054/061/062/0 65/66/081/082	N/A
5th Gear	1319-303-052, 54T		S6-650/S6-750	All	ZFS6-18
2nd-3rd Gear Inner Bearing Race	0730-162-812		S6-650/S6-750	All	ZN1190
2nd Gear	1319-204-013, 31T		S6-650	004/005/006/022/023/02 4/025/036/037/043/044/0 45/046	ZFS6-21
2nd Gear	1319-204-042		S6-750	All	1319-204-042
2nd-3rd Thrust Washer	0730-162-813		S6-650	All	ZN1197
2nd-3rd Thrust Washer	0730-112-261		S6-750	All	ZFS6-22A
Low-Rev Shift Fork	1319-306-045		S6-650/S6-750	All	ZFS6-23
1-2 Slider	1319-204-056, 1319-304-092		S6-650/S6-750	All	ZFS6-28
1-2 Hub	1319-304-088, High Torque, .675" Splines		S6-650	All	1319-304-088
1-2 Synchro. Hub	1317-304-125		S6-650/S6-750	All	ZFS6-37
Reverse Gear	1319-204-026, 37T		S6-650/S6-750	All	ZFS6-36
Creeper Rev. Synchro. Assembly	1319-204-040		S6-650/S6-750	All	ZFS6-40
Creeper Gear	1319-204-056, 41T		S6-650/S6-750	All	ZFS6-48
5th Synchro. Hub and Slider	1319-203-029		S6-650/S6-750	All	ZFS6-50
5th Synchro. Hub and Slider	1319-203-029-Includes Syn- chro. Rings		S6-650/S6-750	All	ZFS6-50A
3rd Gear C-S	1319-303-050		S6-650/S6-750	All	ZFS6-34
5th Synchro. Hub	1319-303-047		S6-650/S6-750	All	1319-303-047
1-2 Synchro. Assembly	1319-204-045		S6-650	004/005/006/022/023	ZFS6-80A
1-2 Gear Hub and Slider	1319-204-045		S6-650/S6-750	All	ZFS6-80
1-2 Synchro. Assembly	1319-204-050		S6-750	All	1319-204-050
Low and Reverse Gear Slider	1317-304-157		S6-650/S6-750	All	ZF47-128

Transmission Gearing & Related Parts



ZF S6-650/750 Continued

Description	Specifications	Applications	Model#’s	Assembly#’s	Part Number
3-4,5th Gear Slider	1317-304-158		S6-650	All	ZF47-136A
3-4, 5th Gear Slider	1317-304-125		S6-750	All	N/A
5th Shift Fork	1319-306-047		S6-650/S6-750	All	1319-306-047
1-2, 3-4 Shift Fork	1307-306-019		S6-650/S6-750	All	ZF42-23B
1st & 2nd Synchro. Key and Spring Kit			S6-650/S6-750	All	ZFS6-K1
Pump Housing	1319-220-008		S6-650/S6-750	All	1319-220-008
Snap Ring Kit	1319SRK		S6-650/S6-750	All	1319-SRK
Input Shaft Brg.			S6-650/S6-750		45285-45220
Mainshaft Pilot Brg.			S6-650/S6-750		JH13349
Mainshaft Center Brg.			S6-650/S6-750		NP957859-NP771105
Mainshaft Rear Brg.			S6-650/S6-750		309-L
Mainshaft Rear Brg.		4WD GM Applications	S6-650/S6-750		ZB1181
Countershaft Front Brg.			S6-650		NCB2074
Countershaft Front Brg.			S6-750		1319-203-032
Countershaft Center Brg.			S6-650/S6-750		NP043905-NP547779
Countershaft Rear Brg.		Ford Applications	S6-650		FC69178
Countershaft Rear Brg.		GM Applications	S6-650		R1563TAV
Countershaft Rear Brg.			S6-750		N/A
Input Shaft Seal			S6-650/S6-750		UH5019-E0
Output Shaft Seal		2WD All	S6-650/S6-750		UH5020-G0
Output Shaft Seal		4WD Ford Applications	S6-650/S6-750		UH5021-E0
Rear O ring		4WD GM Applications	S6-650/S6-750		OR-100X3V
Oil Baffle			S6-650/S6-750		F81Z7046AA
Oil Ring			S6-650/S6-750		F4TZ7046A
Sealing Cap (Large)			S6-650/S6-750		ZM1036
1st Gear Brg.			S6-650/S6-750		ZN1189
2nd Gear Brg.			S6-650/S6-750		ZN1189
2nd Gear Brg. Inner Race			S6-650/S6-750		ZN1190
3rd Gear Brg.			S6-650/S6-750		ZN1189
3rd Gear Inner Brg. Race			S6-650/S6-750		ZN1190
5th Gear Brg.			S6-650/S6-750		ZN1191
5th Gear Inner Brg. Race			S6-650/S6-750		ZN1192
5th Gear Thrust Washer			S6-650/S6-750		ZN1193
Creep Gear Brg.			S6-650/S6-750		ZN1194
Rev. Gear Brg.			S6-650/S6-750		ZN1194
Rev. Gear Brg. Inner Race			S6-650/S6-750		ZN1195
Rev. Idler Gear Brg.			S6-650/S6-750		ZN1196
Shift Shaft Brg.			S6-650/S6-750		ZN1160
2nd-3rd Gear Thrust Washer			S6-650/S6-750		ZN1197
Rev. Gear Thrust Brg.			S6-650/S6-750		ZN1198
Gasket Kit			S6-650/S6-750		GT-PTO55
Synchro. Ring Kit			S6-650/S6-750		SK-ZF4A
Needle Bearing Kit			S6-650/S6-750		NK-ZF2

LD Transmission

Transmission Gearing & Related Parts

G56

Description	Specifications	Applications	Model#s	Assembly#s	Part Number
Mainshaft		4WD			G56-2
3-4 Hub and Slider					G56-2.5
3-4 Synchro. Assembly					G56-2.5A
Bearing Retainer	Cast Iron				G56-6C
5-6 Gear, Countershaft	52&48 Tooth				G56-9
5-6 Gear, Countershaft	52&47 Tooth				G56-9A
3rd Gear Mainshaft	33 Tooth				G56-11
1st Gear Mainshaft	46 Tooth				G56-12
1-2 Synchro. Ring- 3 Piece Set					G56-14A
1-2 Synchro. Ring- Center					ZSY1412
3-4 Synchro. Ring- 3 Piece Set					G56-14B
3-4 Synchro. Ring- Center					ZSY1413
5-6 Synchro. Ring					ZSY1414
Reverse Synchro. Ring- 3 Piece Set					ZSY1415
3-4 Slider					G56-15
Input Shaft	27 Tooth				G56-16
Input Shaft	28 Tooth, 3 ID Grooves				G56-16A
6th Gear (Mainshaft)	23 Tooth				G56-18
4th Gear Mainshaft	28 Tooth				G56-19
2nd Gear Mainshaft	43 Tooth				G56-21
3rd Gear Clutch Disk					G56-28B
4th Gear Clutch Disk					G56-28C
1-2 Clutch Gear					G56-28
3rd-4th Gear Countershaft	36 Tooth/28Tooth				G56-34
Reverse Gear Mainshaft	42 Tooth				G56-36
1-2 Hub					G56-37
Reverse Hub and Slider					G56-40
Reverse Synchro. Assembly					G56-40A
Input Bearing Sleeve					G56-41
5-6 Hub and Slider					G56-50
5-6 Synchro. Assembly					G56-50A
Synchro. Keys					G56-77
Synchro. Springs					G56-78
1-2 Hub and Slider					G56-80
1-2 Synchro. Assembly					G56-80A
Shifter Boot					G56-86
3-4 Hub					G56-111
5-6 Hub					G56-131
5-6 Slider					G56-136
Synchro. Key and Spring Kit					G56-K1
Synchro. Ring Kit					SK-G56
Needle Brg. Kit					NK-G56
Input Shaft Brg.					32210
Input Shaft Pilot Brg.					33206
Output Shaft Rear Brg.					32210
Countershaft Front Brg.					30307
Countershaft Rear Brg.					32208
Input Shaft Seal	C1309				5179736AA
Input Shaft Oil Ring					C1307
Output Shaft Seal	C1308	2WD			5142723AA
Output Shaft Seal	C1314	4WD			5142724AA

Transmission Gearing & Related Parts

Mercedes NSG 370

Description	Specifications	Applications Model#s	Assembly#s	Part Number
3Rd Gear Cluster	33 Tooth			NSG370-11
Reverse Slider				NSG370-128
1st Gear				NSG370-12A
Input Shaft	31 Tooth			NSG370-16
5th gear Countershaft	43 Tooth			NSG370-19
Mainshaft	35/41 Tooth, 4WD			NSG370-2
3rd & 4th Synchro. Assembly				NSG370-2.5
2nd Gear	49 Tooth			NSG370-21
Fork assembly				NSG370-23ASSY
3rd Clutch Gear				NSG370-28B
4th Clutch Gear				NSG370-28C
5th & 6th Clutch Gear				NSG370-28D
Reverse Gear	41 Tooth			NSG370-36
Reverse Hub & Slider				NSG370-40
6th Gear Mainshaft	2005-2010, 29 Tooth			NSG370-48
6th Gear Mainshaft	2011-2018, 27 Tooth			NSG370-48B
6th Gear Countershaft	48 Tooth			NSG370-48A
5th & 6th Synchro. Assembly				NSG370-50
Cluster Assembly	Early			NSG370-8
Cluster Assembly	Late			NSG370-8L
1st & 2nd Synchro. Assembly				NSG370-80
4th Gear Cluster				NSG370-9
Countershaft Bolt				NSG370-BOLT
Shifter Assembly	3.8L Engine			NSG68089757AB
Input Shaft Brg.				ZB1183
Mainshaft Pilot Brg.				ZN1210
Countershaft Front Brg.				ZB1184
Countershaft Rear Brg.				ZN1211
Output Shaft Rear Brg.				ZB1183
Input Shaft Seal	4WD			5099840AA
Input Shaft Seal	2WD			224250
Output Shaft Seal				5159175AA
Case Plug				5096861AA
1st & 2nd Gear Synchro Ring				ZSY1416
3rd & 4th Gear Synchro Ring				ZSY1417
5th & 6th Gear Synchro Ring	Early, Bronze			ZSY1419
5th & 6th Gear Synchro Ring	Late, Sintered Lining, 3 Tabs			ZSY1420
Rev. Synchro Ring				ZSY1418

Transfer Case Identification

GM Magna Steyr Transfer Case Identification:

GM RPO Code*	Magna Model#	Part Time/Full Time	Shift Type	Operation Modes	Compatible Transmissions
NQG	1222	Part Time	Manual	2High, 4High, 4Low, N	4L60,4L70
NQG	1225	Part Time	Manual	2High, 4High, 4Low, N	6L80, 6L90
NQG	1226	Part Time	Manual	2High, 4High, 4Low, N	6L90 and Allison
NQF	1625	Part Time	Electric	2High, 4High, 4Low, N	6L80, 6L90
NQF	1626	Part Time	Electric	2High, 4High, 4Low, N	6L90 and Allison
NQH	3023	Part Time/Full Time	Electric	2High, Auto, 4High, 4Low, N	4L60, 4L70, M99 Hybrid
NQH	3024	Part Time/Full Time	Electric	2High, Auto, 4High, 4Low, N	6L80, 6L90

*Note-There is no external ID tag on these transfer cases, you must use the RPO code located in the glove box.

New Process Transfer Case Identification:

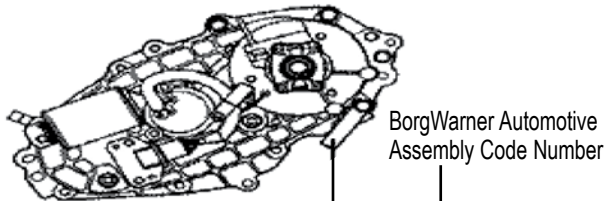


C=Chevrolet/GM

J=Jeep

D=Dodge

Borg Warner Transfer Case Identification:



Build
J662

└─ Shift
└─ Year (last digit)
└─ Day
└─ Month (letter)

J662	4410-00	○
000000	ABCD-ZZ	

BorgWarner
Automotive
Serial Number

Vehicle Manufacturer's Transfer
Case Assembly Number

LD Transmission

Light Duty Transfer Case Applications

Vehicle	Model #	Years	Notes	Bearing, Seal & Gasket Kit	Seal & Gasket Kit	Chain Kit
Chrysler (Dodge, Plymouth)						
1/2, 3/4 & 1 Ton Truck	3010	2010		TCRK-3010	DTK-3010	HV084
1/2, 3/4 & 1 Ton Truck	271	10-08		TCRK-271BB	DTK-271BB	HV064
1/2, 3/4 & 1 Ton Truck	273	10-08		TCRK-271CC	DTK-271CC	HV064
1/2, 3/4 & 1 Ton Truck	231	01-99		TCRK-233AA	DTK-233AA	HV027
1/2, 3/4 & 1 Ton Truck	246	10-06		TCRK-246AA	DTK-246AA	HV072
1/2, 3/4 & 1 Ton Truck	271	07-03		TCRK-271AA	DTK-271AA	HV064
1/2, 3/4 & 1 Ton Truck	273	07-03		TCRK-271AA	DTK-271AA	HV064
1/2, 3/4 & 1 Ton Truck	243	10-02		TCRK-243D	DTK-243D	HV072
1/2, 3/4 & 1 Ton Truck	244	05-04	Electric Shift	TCRK-242EE	DTK-242EE	HV084
1/2, 3/4 & 1 Ton Truck	241	05-02		TCRK-241LL	DTK-241LL	HV081
1/2, 3/4 & 1 Ton Truck	241	05-00	241 DHD (Heavy Duty)	TCRK-241DD	DTK-241	HV031
1/2, 3/4 & 1 Ton Truck	231	98-97		TCRK-231EE	DTK-231EE	HV027
1/2, 3/4 & 1 Ton Truck	241	99-97		TCRK-241EE	DTK-241	HV025
1/2, 3/4 & 1 Ton Truck	241	99-97	241 DHD (Heavy Duty)	TCRK-241FF	DTK-241	HV031
1/2, 3/4 & 1 Ton Truck	241	96-95		TCRK-241BB	DTK-241	HV025
1/2, 3/4 & 1 Ton Truck	241	1994		TCRK-241	DTK-241	HV025
1/2, 3/4 & 1 Ton Truck	231	96-94		TCRK-231DD	DTK-231DD	HV027
1/2, 3/4 & 1 Ton Truck	205	93-88	w/ 6210N Input Bearing	TCRK-205D	DTK-205D	N/A
1/2, 3/4 & 1 Ton Truck	241	93-88		TCRK-241AA	DTK-241	HV025
1/2, 3/4 & 1 Ton Truck	208	87-80	Includes Small Parts Kit	TCRK-208SPK	DTK-208	HV025
1/2, 3/4 & 1 Ton Truck	205	87-69	w/ 6307N Input Bearing	TCRK-205G	DTK-205G	N/A
1/2, 3/4 & 1 Ton Truck	203	79-73		TCRK-203G	DTK-203G	Obsolete
1/2, 3/4 & 1 Ton Truck	201	68-60		TCRK-201	DTK-201	N/A
Aspen	243	09-07		TCRK-243D	DTK-243D	HV072
Dakota	243	11-06		TCRK-243D	DTK-243D	HV072
Dakota	233	11-01	Electric Shift	TCRK-233AA	DTK-233AA	HV027
Dakota	244	08-01	Electric Shift	TCRK-242EE	DTK-242EE	HV072
Dakota	242	2000	w/ BD50-8 I/S Brg	TCRK-242EE	DTK-242EE	HV063
Dakota	231	00-94	w/ 6010N I/S Brg	TCRK-231EE	DTK-231EE	HV027
Dakota	242	99-98	w/ 6010N I/S Brg	TCRK-242DD	DTK-242DD	HV063
Dakota	231	93-88	w/ BD50-8 I/S Brg	TCRK-231	DTK-231	HV027
Dakota	207	1987		TCRK-207	DTK-207	HV022
Durango	3010	18-12		TCRK-3010	DTK-3010	HV084
Durango	3023	18-11		TCRK-3023A	DTK-3023A	HVMS1 ⁷⁰
Durango	2010	18-11		TCRK-2010	DTK-2010	N/A
Durango	243	11-02		TCRK-243D	DTK-243D	HV084
Durango	140	09-08		TCRK-140	DTK-140	HV089
Durango	244	09-01	Electric Shift	TCRK-242EE	DTK-242EE	HV072
Durango	233	03-01	Electric Shift	TCRK-233AA	DTK-233AA	HV027
Durango	242	2000	w/ BD50-8 I/S Brg	TCRK-242EE	DTK-242EE	HV063
Durango	231	00-98		TCRK-231EE	DTK-231EE	HV027
Durango	242	99-98	w/ 6010N I/S Brg	TCRK-242DD	DTK-242DD	HV063
Nitro	1522	12-08		TCRK-1522	DTK-1522	N/A
Ramcharger	241	93-88		TCRK-241AA	DTK-241	HV025
Ramcharger	208	87-80	Includes Small Parts Kit	TCRK-208SPK	DTK-208	HV025
Ramcharger	203	79-74		TCRK-203G	DTK-203G	Obsolete
Ram 4500	271	10-08		TCRK-271BB	DTK-271BB	HV064
Ram 4500	273	10-08		TCRK-271CC	DTK-271CC	HV064
Ram 5500	273	10-08		TCRK-271CC	DTK-271CC	HV064
Ram 5500	271	10-08		TCRK-271BB	DTK-271BB	HV064
Trailduster	208	81-80	Includes Small Parts Kit	TCRK-208SPK	DTK-208	HV025
Trailduster	203	79-74		TCRK-203G	DTK-203G	Obsolete

LD Transmission

⁷⁰Use dimensions on T/C product page to identify correct chain.

Light Duty Transfer Case Applications



Vehicle	Model #	Years	Notes	Bearing, Seal & Gasket Kit	Seal & Gasket Kit	Chain Kit
Daihatsu						
Rocky		92-88		TCRK-FD120	DTK-FD120	N/A
Ford (Lincoln, Mercury)						
Aerostar	Dana 28	97-90		TCRK-28	DTK-28	HV048
Aviator	4410	05-03		TCRK-4410	DTK-4410	HV067
Bronco	1356	96-92	Electric Shift	TCRK-1356	DTK-1356	HV012
Bronco	1356	96-87	Manual Shift	TCRK-1356	DTK-1356	HV012
Bronco	1345	86-81		TCRK-1345	DTK-1345	Obsolete
Bronco	208	86-80	Includes Small Parts Kit	TCRK-208SPK	DTK-208	HV026
Bronco	205	79-78	Direct Mount	TCRK-205F	DTK-205F	N/A
Bronco	203	79-78	Direct Mount	TCRK-203F	DTK-203F	Obsolete
Bronco	Dana 20	77-73		TCRK-20C	DTK-20F	N/A
Bronco	Dana 20	72-66		TCRK-20B	DTK-20F	N/A
Bronco II	1354	1990	Manual Shift or Electric Shift	TCRK-1354	DTK-1354	HV022
Bronco II	1359	90-84	Dummy Case used in 2WD Applications	TCRK-1359	DTK-1359	N/A
Bronco II	1359					
Bronco II	1350	90-84	Manual Shift or Electric Shift	TCRK-1350	DTK-1350	HV022
Excursion	273	05-00	Electric Shift	TCRK-271	DTK-271	HV064
Expedition	4417	16-07		TCRK-4417	DTK-4417	HV076
Expedition	4416	06-03		TCRK-4416	DTK-4416	HV053
Expedition	4406	02-97	Torque on Demand	TCRK-4406	DTK-4406	HV053
Explorer	4412 w/ 6 Spd. Auto Trans.	10-06		TCRK-4412A	DTK-4412A	HV067
Explorer	4414 w/ 5 Spd. Auto Trans.	10-06		TCRK-4412	DTK-4412	HV067
Explorer	4411	05-02	V-6	TCRK-4411	DTK-4411	HV067
Explorer	4410	05-02	V-8	TCRK-4410	DTK-4410	HV078
Explorer	4403	01-99	AWD	TCRK-4403	DTK-4403	HV051
Explorer	4405	01-97	V-6 w/ Electric Shift	TCRK-4405AA	DTK-4405	HV067
Explorer	4404	01-96	V-8 w/ TOD	TCRK-4404	DTK-4404	HV070
Explorer	4405	96-95	V-6 w/ Electric Shift	TCRK-4405	DTK-4405	HV051
Explorer	1354	95-91	Manual Shift or Electric Shift	TCRK-1354	DTK-1354	HV022
Explorer Sport	1354	03-01	Manual Shift or Electric Shift	TCRK-1354	DTK-1354	HV068
Explorer Sport Trac	4412 w/ 6 Spd. Auto Trans.	10-06		TCRK-4412A	DTK-4412A	HV067
Explorer Sport Trac	4414 w/ 5 Spd. Auto Trans.	10-06		TCRK-4412	DTK-4412	HV067
Explorer Sport Trac	1354	10-05	Electric Shift	TCRK-1354	DTK-1354	HV505
Explorer Sport Trac	1354	04-01	Electric Shift	TCRK-1354	DTK-1354	HV068
F-150	4420	18-15		TCRK-4420	DTK-4420	
F-150	4417	15-10		TCRK-4417	DTK-4417	HV076
F-150	4419	15-09		TCRK-4419	DTK-4419	HV526 ⁶⁴
F-150	4419					HV527 ⁶⁵
F-150	4418	11-09		TCRK-4418	DTK-4418	HV076
F-150	4406	08-96	Manual Shift, Electric Shift & Torque on Demand	TCRK-4406	DTK-4406	HV053
F-150	4406					
F-150	1356	97-92	Electric Shift	TCRK-1356	DTK-1356	HV012
F-150	1356	97-87	Manual Shift	TCRK-1356	DTK-1356	HV012
F-150	1345	92-82		TCRK-1345	DTK-1345	Obsolete
F-150	205	89-71	Direct Mount	TCRK-205F	DTK-205F	N/A
F-150	208	86-80	Includes Small Parts Kit	TCRK-208SPK	DTK-208	HV026
F-150	203	79-73	Direct Mount	TCRK-203F	DTK-203F	Obsolete
F-150	203	77-74	Remote Mount	TCRK-203FA	DTK-203FA	Obsolete
F-150	205	77-73	Remote Mount	TCRK-205FA	DTK-205R	N/A
F-150	Dana 21	76-65		TCRK-21	DTK-21	N/A
F-150	Dana 24	1965		TCRK-24	DTK-24	N/A
F-250	1128	16-11		TCRK-1628	DTK-1628	HV064
F-250	1628	16-11		TCRK-1628	DTK-1628	HV064
F-250	271	15-11		TCRK-271DD	DTK-271DD	HV064
F-250	271	10-99		TCRK-271	DTK-271	HV064
F-250	273	15-11	Electric Shift	TCRK-271DD	DTK-271DD	HV064

LD Transmission

Light Duty Transfer Case Applications

Vehicle	Model #	Years	Notes	Bearing, Seal & Gasket Kit	Seal & Gasket Kit	Chain
Ford (Lincoln, Mercury) (cont.)						
F-250	273	10-99	Electric Shift	TCRK-271	DTK-271	HV064
F-250	4406	99-96	Manual Shift, Electric Shift & Torque on Demand	TCRK-4406	DTK-4406	HV053
F-250	4406					
F-250	4407	97-96		TCRK-4407	DTK-4407	HV054
F-250	1356	97-87	Manual Shift	TCRK-1356	DTK-1356	HV012
F-250	1345	92-81		TCRK-1345	DTK-1345	Obsolete
F-250	208	86-80	Includes Small Parts Kit	TCRK-208SPK	DTK-208	HV012
F-250	203	79-74	Direct Mount	TCRK-203F	DTK-203F	Obsolete
F-250	205	79-73	Direct Mount	TCRK-205F	DTK-205F	N/A
F-250	205	77-73	Remote Mount	TCRK-205FA	DTK-205R	N/A
F-250	203	75-74	Remote Mount	TCRK-203FA	DTK-203FA	Obsolete
F-250	Dana 24	72-65		TCRK-24	DTK-24	N/A
F-350	1628	16-11		TCRK-1628	DTK-1628	HV064
F-350	1128	16-11		TCRK-1628	DTK-1628	HV064
F-350	271	15-11		TCRK-271DD	DTK-271DD	HV064
F-350	273	15-11	Electric Shift	TCRK-271DD	DTK-271DD	HV064
F-350	271	10-99		TCRK-271	DTK-271	HV064
F-350	273	10-99	Electric Shift	TCRK-271	DTK-271	HV064
F-350	1356	97-87	Manual Shift	TCRK-1356	DTK-1356	HV012
F-350	1345	87-80		TCRK-1345	DTK-1345	Obsolete
F-350	208	86-84	Includes Small Parts Kit	TCRK-208SPK	DTK-208	HV012
F-350	203	79-72	Direct Mount	TCRK-203F	DTK-203F	Obsolete
F-350	205	79-71	Direct Mount	TCRK-205F	DTK-205F	N/A
F-350	205	77-71	Remote Mount	TCRK-205FA	DTK-205R	N/A
F-350	203	75-72	Remote Mount	TCRK-203FA	DTK-203FA	Obsolete
F-350	Dana 21	74-65		TCRK-21	DTK-21	N/A
F-350	Dana 24	72-62		TCRK-24	DTK-24	N/A
Mark LT	4406	08-06	Manual Shift, Electric Shift & Torque on Demand	TCRK-4406	DTK-4406	HV053
Mark LT	4406					
Mountaineer	4414 w/ 5 Spd. Auto Trans.	10-06		TCRK-4412	DTK-4412	HV067
Mountaineer	4412 w/ 6 Spd. Auto Trans.	10-06		TCRK-4412A	DTK-4412A	HV067
Mountaineer	4410	05-02	V-8	TCRK-4410	DTK-4410	HV078
Mountaineer	4403	01-99	AWD	TCRK-4403	DTK-4403	HV051
Mountaineer	4405	01-98	V-6 w/ Electric Shift	TCRK-4405AA	DTK-4405	HV051
Mountaineer	4404	01-97	V-8 w/ TOD	TCRK-4404	DTK-4404	HV070
Navigator	4417	16-07		TCRK-4417	DTK-4417	HV076
Navigator	4416	06-03		TCRK-4416	DTK-4416	HV053
Navigator	4406	02-98	Torque on Demand	TCRK-4406	DTK-4406	HV053
Ranger	1354	11-91	Electric Shift	TCRK-1354	DTK-1354	HV022
Ranger	1354	98-90	Manual Shift	TCRK-1354	DTK-1354	HV022
Ranger	4405	1997	V-6 w/ Electric Shift	TCRK-4405AA	DTK-4405	HV051
Ranger	4405	96-95	V-6 w/ Electric Shift	TCRK-4405	DTK-4405	HV051
Ranger	1350	93-83	Manual Shift or Electric Shift	TCRK-1350	DTK-1350	HV022
GM (Chevrolet, GMC, Buick, Cadillac, Oldsmobile, Hummer, Geo)						
1/2 Ton Truck	3010	2019		TCRK-3010A	DTK-3010A	N/A
1/2 Ton Truck	3023, RPO Code NQH	19-07		TCRK-3023	DTK-3023	HVMS1 ⁷⁰
1/2 Ton Truck	1222	18-07		TCRK-1222	DTK-1222	HV501
1/2 Ton Truck	4485	14-07	One Speed	TCRK-4485	DTK-4485	HV502
1/2 Ton Truck	149	07-01	One Speed	TCRK-149	DTK-149	HV072
1/2 Ton Truck	246	07-98		TCRK-246	DTK-246	HVMS1 ⁷⁰
1/2 Ton Truck	261HD	07-01	Heavy Duty	TCRK-261AA	DTK-261	HV069
1/2 Ton Truck	261	07-99		TCRK-261	DTK-261	HV072
1/2 Ton Truck	241	99-94	w/ 6010N I/S Brg	TCRK-241BB	DTK-241	HV025
1/2 Ton Truck	243	99-91	Electric Shift	TCRK-241BB	DTK-241	HV025
1/2 Ton Truck	241	94-88	w/ BD50-8 I/S Brg	TCRK-241	DTK-241	HV025
1/2 Ton Truck	208	87-81	Includes Small Parts Kit	TCRK-208SPK	DTK-208	HV025

LD Transmission

⁷⁰Use dimensions on T/C product page to identify correct chain.

Light Duty Transfer Case Applications



Vehicle	Model #	Years	Notes	Bearing, Seal & Gasket Kit	Seal & Gasket Kit	Chain
GM (Chevrolet, GMC, Buick, Cadillac, Oldsmobile, Hummer, Geo) (cont.)						
1/2 Ton Truck	205	80-70	w/ 6307N Input Bearing	TCRK-205G	DTK-205G	N/A
1/2 Ton Truck	205	80-70	w/ 6210N Input Bearing	TCRK-205GDM4	DTK-205G	N/A
1/2 Ton Truck	203	79-73		TCRK-203G	DTK-203G	Obsolete
1/2 Ton Truck	Dana 20 w/ 1.3125" ID Fron Output Cones	75-73		TCRK-20A		N/A
1/2 Ton Truck	Dana 20 w/ 1.1875" ID Fron Output Cones	73-69		TCRK-20		N/A
1/2 Ton Truck	4481	2003	AWD, One Speed	TCRK-4481	DTK-4481	HV076
1/2 Ton Truck	4482	2003	AWD, Two Speed	TCRK-4482	DTK-4482	HV076
3/4 Ton Truck	3024, RPO Code NQH	19-08		TCRK-3024	DTK-3024	HVMS1 ⁷⁰
3/4 Ton Truck	1225/26 2nd Design, RPO Code NQG	18-12		TCRK-1225A	DTK-1225A	HVMS1 ⁷⁰
3/4 Ton Truck	1625/26 2nd Design, RPO Code NQF	18-12		TCRK-1625A	DTK-1625A	HVMS1 ⁷⁰
3/4 Ton Truck	1225/26 1st Design, RPO Code NQG	11-07		TCRK-1225	DTK-1225	HVMS1 ⁷⁰
3/4 Ton Truck	1625/26 1st Design, RPO Code NQF	11-07		TCRK-1625	DTK-1625	HVMS1 ⁷⁰
3/4 Ton Truck	246	07-98		TCRK-246	DTK-246	HVMS1 ⁷⁰
3/4 Ton Truck	261SHD	07-01	Super Heavy Duty	TCRK-261BB	DTK-261	HV074
3/4 Ton Truck	263XHD	07-01	Extreme Heavy Duty	TCRK-261BB	DTK-261	HV074
3/4 Ton Truck	261HD	07-99	Heavy Duty	TCRK-261AA	DTK-261	HV069
3/4 Ton Truck	263HD	07-99	Heavy Duty	TCRK-261AA	DTK-261	HV069
3/4 Ton Truck	261	06-99		TCRK-261	DTK-261	HV072
3/4 Ton Truck	241	99-94	w/ 6010N I/S Brg	TCRK-241BB	DTK-241	HV025
3/4 Ton Truck	243	99-91	Electric Shift	TCRK-241BB	DTK-241	HV025
3/4 Ton Truck	241	94-88	w/ BD50-8 I/S Brg	TCRK-241	DTK-241	HV025
3/4 Ton Truck	208	87-81	Includes Small Parts Kit	TCRK-208SPK	DTK-208	HV025
3/4 Ton Truck	205	80-70	w/ 6307N Input Bearing	TCRK-205G	DTK-205G	N/A
3/4 Ton Truck	205	80-70	w/ 6210N Input Bearing	TCRK-205GDM4	DTK-205G	N/A
3/4 Ton Truck	203	79-73		TCRK-203G	DTK-203G	Obsolete
3/4 Ton Truck	Dana 20 w/ 1.3125" ID Fron Output Cones	75-73		TCRK-20A		N/A
3/4 Ton Truck	Dana 20 w/ 1.1875" ID Fron Output Cones	73-69		TCRK-20		N/A
1 Ton Truck	1225/26 2nd Design, RPO Code NQG	18-12		TCRK-1225A	DTK-1225A	HVMS1 ⁷⁰
1 Ton Truck	1625/26 2nd Design, RPO Code NQF	18-12		TCRK-1625A	DTK-1625A	HVMS1 ⁷⁰
1 Ton Truck	1225/26 1st Design, RPO Code NQG	11-07		TCRK-1225	DTK-1225	HVMS1 ⁷⁰
1 Ton Truck	1625/26 1st Design, RPO Code NQF	11-07		TCRK-1625	DTK-1625	HVMS1 ⁷⁰
1 Ton Truck	261HD	07-01	Heavy Duty	TCRK-261AA	DTK-261	HV069
1 Ton Truck	263HD	07-01	Heavy Duty	TCRK-261AA	DTK-261	HV069
1 Ton Truck	261SHD	07-01	Super Heavy Duty	TCRK-261BB	DTK-261	HV074
1 Ton Truck	263XHD	07-01	Extreme Heavy Duty	TCRK-261BB	DTK-261	HV074
1 Ton Truck	4401	00-94		TCRK-1356	DTK-1356	HV025
1 Ton Truck	4470	00-90		TCRK-4470	DTK-1356	HV031
1 Ton Truck	1370	93-89		TCRK-1356	DTK-1356	HV025
1 Ton Truck	241	91-88	w/ BD50-8 I/S Brg	TCRK-241	DTK-241	HV025
1 Ton Truck	205	87-70	w/ 6307N Input Bearing	TCRK-205G	DTK-205G	N/A
1 Ton Truck	205	87-70	w/ 6210N Input Bearing	TCRK-205GDM4	DTK-205G	N/A
1 Ton Truck	203	79-73		TCRK-203G	DTK-203G	Obsolete
1 Ton Truck	Dana 20 w/ 1.3125" ID Fron Output Cones	75-73		TCRK-20A		N/A

LD Transmission

Light Duty Transfer Case Applications

Vehicle	Model #	Years	Notes	Bearing, Seal & Gasket Kit	Seal & Gasket Kit	Chain
GM (Chevrolet, GMC, Buick, Cadillac, Oldsmobile, Hummer, Geo) (cont.)						
1 Ton Truck	Dana 20 w/ 1.1875" ID Fron Output Cones	73-69		TCRK-20		N/A
Astro	136	05-98	One Speed	TCRK-236	DTK-236	HV062
Astro	4472	98-90		TCRK-1372	DTK-4472	Obsolete
Avalanche	3023, RPO Code NQH	13-08		TCRK-3023	DTK-3023	HVMS1 ⁷⁰
Avalanche	4485	13-07		TCRK-4485	DTK-4485	HV502
Avalanche	246	07-02		TCRK-246	DTK-246	HVMS1 ⁷⁰
Avalanche 2500	261HD	06-02		TCRK-261AA	DTK-261	HV069
Bravada	126	04-02		TCRK-226	DTK-226	HV059
Bravada	136	01-98	One Speed	TCRK-236	DTK-236	HV062
Bravada	4472	97-91		TCRK-1372	DTK-4472	Obsolete
Envoy	226	09-02		TCRK-226	DTK-226	HV059
Escalade EXT	3023, RPO Code NQH	13-08		TCRK-3023	DTK-3023	HVMS1 ⁷⁰
Escalade EXT	4485	13-07	One Speed	TCRK-4485	DTK-4485	HV502
Escalade EXT	4481	06-03	AWD, One Speed	TCRK-4481	DTK-4481	HV076
Escalade ESV	3023, RPO Code NQH	19-08		TCRK-3023	DTK-3023	HVMS1 ⁷⁰
Escalade ESV	1222	18-09		TCRK-1222	DTK-1222	HV501
Escalade ESV	4485	14-07	One Speed	TCRK-4485	DTK-4485	HV502
Escalade ESV	4481	06-03	AWD, One Speed	TCRK-4481	DTK-4481	HV076
Escalade	3023, RPO Code NQH	19-08		TCRK-3023	DTK-3023	HVMS1 ⁷⁰
Escalade	1222	18-09		TCRK-1222	DTK-1222	HV501
Escalade	4485	14-07	One Speed	TCRK-4485	DTK-4485	HV502
Escalade	4481	06-03	AWD, One Speed	TCRK-4481	DTK-4481	HV076
Escalade	149	2002	One Speed	TCRK-149	DTK-149	HV072
Escalade	246	00-99		TCRK-246	DTK-246	HVMS1 ⁷⁰
Express 1500	4473	14-03		TCRK-4473	DTK-4473	HV076
Express 2500	4473	05-03		TCRK-4473	DTK-4473	HV076
Hummer H-1	242	08-92		TCRK-242AA	DTK-242	HV060
Hummer H-1	218	99-92		TCRK-218	DTK-218	Obsolete
Hummer H-2	4484	09-03	AWD, Two Speed	TCRK-4484	DTK-4484	HV502
Hummer H3	4493/94	10-06		TCRK-4493	DTK-4493	HV055
Hummer H3T	4493/94	10-09		TCRK-4493	DTK-4493	HV055
Jimmy	241	91-89		TCRK-241	DTK-241	HV025
Jimmy	208	88-81	Includes Small Parts Kit	TCRK-208SPK	DTK-208	HV025
Jimmy	205	80-70	w/6307N Input Bearing	TCRK-205G	DTK-205G	N/A
Jimmy	205	80-70	w/6210N Input Bearing	TCRK-205GDM4	DTK-205G	N/A
Jimmy	203	79-73		TCRK-203G	DTK-203G	Obsolete
Jimmy	Dana 20 w/ 1.3125" ID Fron Output Cones	75-73		TCRK-20A		N/A
Jimmy	Dana 20 w/ 1.1875" ID Fron Output Cones	73-70		TCRK-20		N/A
K5 Blazer	241	94-89		TCRK-241	DTK-241	HV025
K5 Blazer	208	88-81	Includes Small Parts Kit	TCRK-208SPK	DTK-208	HV025
K5 Blazer	205	80-69	w/6307N Input Bearing	TCRK-205G	DTK-205G	N/A
K5 Blazer	205	80-69	w/6210N Input Bearing	TCRK-205GDM4	DTK-205G	N/A
K5 Blazer	203	79-73		TCRK-203G	DTK-203G	Obsolete
K5 Blazer	Dana 20 w/ 1.3125" ID Fron Output Cones	75-73		TCRK-20A		N/A
K5 Blazer	Dana 20 w/ 1.1875" ID Fron Output Cones	73-69		TCRK-20		N/A
Rainier	126	07-04		TRK-226	DTK-226	HV059
S10 Blazer	236	05-99	Two Speed	TCRK-236	DTK-236	HV062
S10 Blazer	233	05-94	Electric Shift	TCRK-231CC	DTK-231CC	HV022
S10 Blazer	136	01-98	One Speed	TCRK-236	DTK-236	HV062
S10 Blazer	231	97-95		TCRK-231CC	DTK-231CC	HV022
S10 Blazer	4472	97-95		TCRK-1372	DTK-4472	Obsolete

LD Transmission

⁷⁰Use dimensions on T/C product page to identify correct chain.

Light Duty Transfer Case Applications



Vehicle	Model #	Years	Notes	Bearing, Seal & Gasket Kit	Seal & Gasket Kit	Chain Kit
GM (Chevrolet, GMC, Buick, Cadillac, Oldsmobile, Hummer, Geo) (cont.)						
S10 Blazer	231	94-92		TCRK-231BB	DTK-231	HV022
S10 Blazer	233	93-92	Electric Shift	TCRK-231BB	DTK-231	HV022
S10 Blazer	231	91-89		TCRK-231	DTK-231	HV022
S10 Blazer	207	88-83		TCRK-207	DTK-207	HV022
S-10/S-15 Pick-Up	233	04-94	Electric Shift, All	TCRK-231CC	DTK-231CC	HV022
S-10/S-15 Pick-Up	236	1999	Two Speed	TCRK-236	DTK-236	HV062
S-10/S-15 Pick-Up	231	97-95	All	TCRK-231CC	DTK-231CC	HV022
S-10/S-15 Pick-Up	231	1994	All	TCRK-231BB	DTK-231	HV022
S-10/S-15 Pick-Up	231	93-92	Extended Cab	TCRK-231	DTK-231	HV022
S-10/S-15 Pick-Up	231	93-92	Standard Cab	TCRK-231BB	DTK-231	HV022
S-10/S-15 Pick-Up	233	93-92	Electric Shift, Extended Cab	TCRK-231	DTK-231	HV022
S-10/S-15 Pick-Up	233	93-92	Electric Shift, Standard Cab	TCRK-231BB	DTK-231	HV022
S-10/S-15 Pick-Up	231	91-89	All	TCRK-231	DTK-231	HV022
S-10/S-15 Pick-Up	207	88-83	All	TCRK-207	DTK-207	HV022
S15 Jimmy	236	05-99	Two Speed	TCRK-236	DTK-236	HV062
S15 Jimmy	231	05-95		TCRK-231CC	DTK-231CC	HV022
S15 Jimmy	233	05-94	Electric Shift	TCRK-231CC	DTK-231CC	HV022
S15 Jimmy	136	01-98	One Speed	TCRK-236	DTK-236	HV062
S15 Jimmy	4472	97-95		TCRK-1372	DTK-4472	Obsolete
S15 Jimmy	231	94-92		TCRK-231BB	DTK-231	HV022
S15 Jimmy	233	93-92	Electric Shift	TCRK-231BB	DTK-231	HV022
S15 Jimmy	231	91-89		TCRK-231	DTK-231	HV022
S15 Jimmy	207	88-83		TCRK-207	DTK-207	HV022
Safari	136	05-99	One Speed	TCRK-236	DTK-236	HV062
Safari	4472	98-90		TCRK-1372	DTK-4472	Obsolete
Savana 1500	4473	14-03		TCRK-4473	DTK-4473	HV076
Savana 2500	4473	05-03		TCRK-4473	DTK-4473	HV076
Sonoma	233	04-94	Electric Shift, All	TCRK-231CC	DTK-231CC	HV022
Sonoma	236	1999	Two Speed	TCRK-236	DTK-236	HV062
Sonoma	231	97-95	All	TCRK-231CC	DTK-231CC	HV022
Sonoma	231	1994	All	TCRK-231BB	DTK-231	HV022
Sonoma	231	93-92	Extended Cab	TCRK-231	DTK-231	HV022
Sonoma	231	93-92	Standard Cab	TCRK-231BB	DTK-231	HV022
Sonoma	233	93-92	Electric Shift, Standard Cab	TCRK-231BB	DTK-231	HV022
Sonoma	233	93-92	Electric Shift, Extended Cab	TCRK-231	DTK-231	HV022
Suburban 1500/2500	3024, RPO Code NQH	19-09		TCRK-3024	DTK-3024	HVMS1 ⁷⁰
Suburban 1500/2500	3023, RPO Code NQH	19-08		TCRK-3023	DTK-3023	HVMS1 ⁷⁰
Suburban 1500/2500	1225/26, 2nd Design, RPO Code NQG	18-12		TCRK-1225A	DTK-1225A	HVMS1 ⁷⁰
Suburban 1500/2500	1222	18-09	One Speed	TCRK-1222	DTK-1222	HV501
Suburban 1500/2500	4485	14-07	One Speed	TCRK-4485	DTK-4485	HV502
Suburban 1500/2500	1225/26 1st Design, RPO Code NQG	11-09		TCRK-1225	DTK-1225	HVMS1 ⁷⁰
Suburban 1500/2500	261HD	07-01		TCRK-261AA	DTK-261	HV069
Suburban 1500/2500	4481	08-03	AWD, One Speed	TCRK-4481	DTK-4481	HV076
Suburban 1500/2500	4482	08-03	AWD, Two Speed	TCRK-4482	DTK-4482	HV076
Suburban 1500/2500	246	07-98		TCRK-246	DTK-246	HVMS1 ⁷⁰
Suburban 1500/2500	243	99-96	Electric Shift	TCRK-241BB	DTK-241	HV025
Suburban 1500/2500	241	99-94	w/ 6010N I/S Brg	TCRK-241BB	DTK-241	HV025
Suburban 1500/2500	241	94-89	w/ BD50-8 I/S Brg	TCRK-241	DTK-241	HV025
Suburban 1500/2500	208	88-81	Includes Small Parts Kit	TCRK-208SPK	DTK-208	HV025
Suburban 1500/2500	205	80-70	w/ 6307N Input Bearing	TCRK-205G	DTK-205G	N/A
Suburban 1500/2500	205	80-70	w/ 6210N Input Bearing	TCRK-205GDM4	DTK-205G	N/A
Suburban 1500/2500	203	79-73		TCRK-203G	DTK-203G	Obsolete
Suburban 1500/2500	Dana 20 w/ 1.3125" ID Fron Output Cones	75-73		TCRK-20A		N/A

LD Transmission

Light Duty Transfer Case Applications

Vehicle	Model #	Years	Notes	Bearing, Seal & Gasket Kit	Seal & Gasket Kit	Chain
GM (Chevrolet, GMC, Buick, Cadillac, Oldsmobile, Hummer, Geo) (cont.)						
Suburban 1500/2500	Dana 20 w/ 1.1875" ID Fron Output Cones	1973		TCRK-20		N/A
Syclone	4472	1991		TCRK-1372	DTK-4472	Obsolete
Tahoe	3023, RPO Code NQH	19-08		TCRK-3023	DTK-3023	HVMS1 ⁷⁰
Tahoe	1222	18-09		TCRK-1222	DTK-1222	HV501
Tahoe	4485	14-07	One Speed	TCRK-4485	DTK-4485	HV502
Tahoe	246	07-98		TCRK-246	DTK-246	HVMS1 ⁷⁰
Tahoe	241	00-95		TCRK-241BB	DTK-241	HV025
Tahoe	243	99-96	Electric Shift	TCRK-241BB	DTK-241	HV025
Tracker	G130	97-87		TCRK-FS140	DTK-FS140	HV10-110
Trailblazer	226	09-02		TCRK-226	DTK-226	HV059
Typhoon	4472	93-92		TCRK-1372	DTK-4472	Obsolete
Yukon	3023, RPO Code NQH	19-08		TCRK-3023	DTK-3023	HVMS1 ⁷⁰
Yukon	1222	18-09		TCRK-1222	DTK-1222	HV501
Yukon	4485	14-07	One Speed	TCRK-4485	DTK-4485	HV502
Yukon	246	07-98		TCRK-246	DTK-246	HVMS1 ⁷⁰
Yukon	243	97-96	Electric Shift	TCRK-241BB	DTK-241	HV025
Yukon	241	97-94	w/ 6010N I/S Brg	TCRK-241BB	DTK-241	HV025
Yukon	241	94-92	w/ BD50-8 I/S Brg	TCRK-241	DTK-241	HV025
Yukon XL	3023, RPO Code NQH	19-08		TCRK-3023	DTK-3023	HVMS1 ⁷⁰
Yukon XL	3024, RPO Code NQH	19-08		TCRK-3024	DTK-3024	HVMS1 ⁷⁰
Yukon XL	1225/26, 2nd Design, RPO Code NQG	18-12		TCRK-1225A	DTK-1225A	HVMS1 ⁷⁰
Yukon XL	1222	18-09		TCRK-1222	DTK-1222	HV501
Yukon XL	4485	14-07	One Speed	TCRK-4485	DTK-4485	HV502
Yukon XL	1225/26 1st Design, RPO Code NQG	11-09		TCRK-1225	DTK-1225	HVMS1 ⁷⁰
Yukon XL	246	07-00		TCRK-246	DTK-246	HVMS1 ⁷⁰
Yukon XL	149	05-01	One Speed	TCRK-149	DTK-149	HV072
Yukon XL	4481	04-03	AWD, One Speed	TCRK-4481	DTK-4481	HV076
Jeep						
CJ	Dana 300	86-80		TCRK-300	DTK-300	N/A
CJ	1305	79-76	Quadra-Trac	Obsolete	DTK-1305	Obsolete
CJ	1339	79-76	Quadra-Trac	Obsolete	DTK-1305	Obsolete
CJ	Dana 20	79-74		TCRK-20A	DTK-20J	N/A
CJ	Dana 20	73-72		TCRK-20	DTK-20J	N/A
CJ	Dana 18	71-61		TCRK-18	DTK-18	N/A
CJ	Dana 18	60-46		TCRK-18B	DTK-18	N/A
CJ	Dana 18	45-41		TCRK-18A	DTK-18	N/A
Cherokee	231	01-94	w/ 6010N I/S Brg	TCRK-231FF	DTK-231FF	HV027
Cherokee	242	01-94	w/ 6010N I/S Brg	TCRK-242BB	DTK-242BB	HV028
Cherokee	231	94-87	w/ BD50-8 I/S Brg	TCRK-231	DTK-231	HV027
Cherokee	242	93-87	w/ BD50-8 I/S Brg	TCRK-242	DTK-242	HV028
Cherokee	228	1986		TCRK-229	DTK-208	HV015
Cherokee	207	86-84		TCRK-207	DTK-207	HV022
Cherokee	229	85-82		TCRK-229	DTK-208	HV015
Cherokee	208	83-80	Includes Small Parts Kit	TCRK-208SPK	DTK-208	HV025
Cherokee	219	82-80		TCRK-229	DTK-208	HV015
Cherokee	Dana 20	79-74		TCRK-20A	DTK-20J	N/A
Cherokee	1305	79-74	Quadra-Trac	Obsolete	DTK-1305	Obsolete
Cherokee	1339	79-74	Quadra-Trac	Obsolete	DTK-1305	Obsolete
Comanche	231	92-87		TCRK-231	DTK-231	HV027
Comanche	242	92-87		TCRK-242	DTK-242	HV028
Comanche	207	86-84		TCRK-207	DTK-207	HV022
Comanche	228	1986		TCRK-229	DTK-208	HV015
Grand Cherokee	3023	17-11		TCRK-3023A	DTK-3023A	HVMS1 ⁷⁰

⁷⁰Use dimensions on T/C product page to identify correct chain.

Light Duty Transfer Case Applications



Vehicle	Model #	Years	Notes	Bearing, Seal & Gasket Kit	Seal & Gasket Kit	Chain Kit
Jeep (cont.)						
Grand Cherokee	2010	17-11		TCRK-2010	DTK-2010	N/A
Grand Cherokee	146	10-06		TCRK-146	DTK-146	N/A
Grand Cherokee	245	10-05		TCRK-245	DTK-245	HV090
Grand Cherokee	140	10-05		TCRK-140	DTK-140	HV089
Grand Cherokee	247	08-99		TCRK-247	DTK-247	HV071
Grand Cherokee	242	08-94	w/ 6010N I/S Brg	TCRK-242BB	DTK-242BB	HV028
Grand Cherokee	249	98-94	w/ 6010N I/S Brg	TCRK-249JA	DTK-249	HV034
Grand Cherokee	249	94-93	w/ BD50-8 I/S Brg	TCRK-249J	DTK-249	HV034
Grand Cherokee	242	1993	w/ BD50-8 I/S Brg	TCRK-242	DTK-242	HV028
Grand Wagoneer	249	1993	w/ BD50-8 I/S Brg	TCRK-249J	DTK-249	HV034
Grand Wagoneer	229	91-84		TCRK-229	DTK-208	HV015
Grand Wagoneer	208	88-84	Includes Small Parts Kit	TCRK-208SPK	DTK-208	HV025
Liberty	1522	12-08		TCRK-1522	DTK-1522	N/A
Liberty	231	07-02		TCRK-231GG	DTK-231GG	HV027
Liberty	242	08-02		TCRK-242CC	DTK-242CC	HV062
SJ	229	88-82		TCRK-229	DTK-208	HV015
SJ	208	88-80	Includes Small Parts Kit	TCRK-208SPK	DTK-208	HV025
SJ	228	1986		TCRK-229	DTK-208	HV015
SJ	119	82-80		TCRK-229	DTK-208	HV015
SJ	219	82-80		TCRK-229	DTK-208	HV015
SJ	Dana 20	79-74		TCRK-20A	DTK-20J	N/A
SJ	1305	79-74	Quadra-Trac	Obsolete	DTK-1305	Obsolete
SJ	1339	79-74	Quadra-Trac	Obsolete	DTK-1305	Obsolete
SJ	Dana 20	73-62		TCRK-20	DTK-20J	N/A
SJ	Dana 18	65-61		TCRK-18	DTK-18	N/A
Wagoneer	231	90-87		TCRK-231	DTK-231	HV027
Wagoneer	242	90-87		TCRK-242	DTK-242	HV028
Wagoneer	228	1986		TCRK-229	DTK-208	HV015
Wagoneer	207	86-84		TCRK-207	DTK-207	HV022
Wagoneer	229	85-82		TCRK-229	DTK-208	HV015
Wagoneer	208	83-80	Includes Small Parts Kit	TCRK-208SPK	DTK-208	HV025
Wagoneer	219	82-80		TCRK-229	DTK-208	HV015
Wagoneer	1305	79-74	Quadra-Trac	Obsolete	DTK-1305	Obsolete
Wagoneer	1339	79-74	Quadra-Trac	Obsolete	DTK-1305	Obsolete
Wagoneer	Dana 20	79-74		TCRK-20A	DTK-20J	N/A
Wagoneer	Dana 20	73-62		TCRK-20	DTK-20J	N/A
Wrangler	3022	19-18	Non-Rubicon	TCRK-241JJ	DTK-241HH	HV081
Wrangler	241	18-03	Rubicon	TCRK-241GG	DTK-241GG	HV081
Wrangler	241	03-06	Non-Rubicon	TCRK-241HH	DTK-241HH	HV027
Wrangler	231	06-94	w/ 6010N I/S Brg	TCRK-231FF	DTK-231FF	HV027
Wrangler	242	08-94	w/ 6010N I/S Brg	TCRK-242BB	DTK-242BB	HV028
Wrangler	231	94-87	w/ BD50-8 I/S Brg	TCRK-231	DTK-231	HV027
Wrangler	242	93-87	w/ BD50-8 I/S Brg	TCRK-242	DTK-242	HV028
Kia						
Sportage		02-95		TCRK-FK100	DTK-FK100	N/A
Land Rover						
Range Rover	BW1361	95-89		TCRK-1361	DTK-1361	HV049
Mazda						
B2000		87-86		TCRK-FMZ220	DTK-FMZ220	HV10-105
B2200		93-87		TCRK-FMZ220	DTK-FMZ220	HV10-105
B2300	1354	10-01	Manual Shift or Electric Shift	TCRK-1354	DTK-1354	HV022
B2500	1354	01-98	Manual Shift or Electric Shift	TCRK-1354	DTK-1354	HV022
B2600		93-87		TCRK-FMZ220	DTK-FMZ220	HV10-105
B3000	1354	08-94	Manual Shift or Electric Shift	TCRK-1354	DTK-1354	HV022
B3000	4405	1997	Electric Shift	TCRK-4405AA	DTK-4405	HV051
B3000	4405	96-95	Electric Shift	TCRK-4405	DTK-4405	HV051

LD Transmission

Light Duty Transfer Case Applications

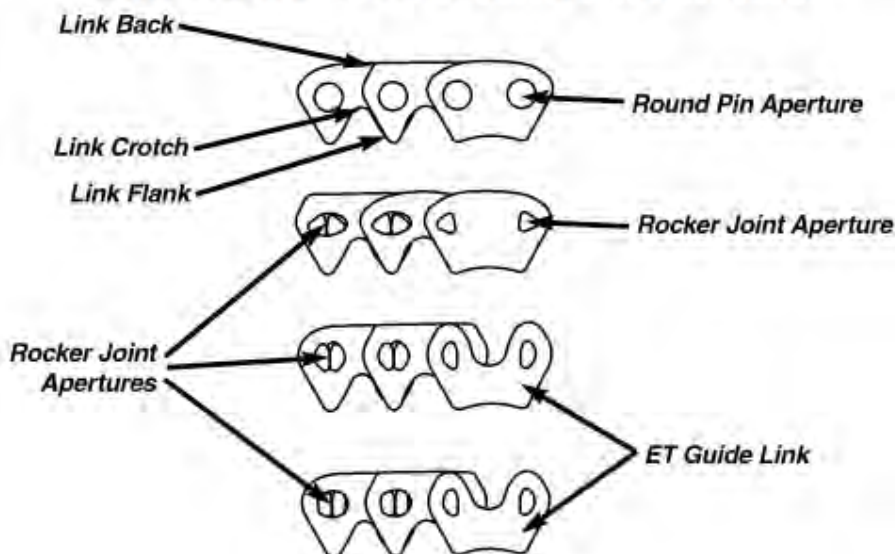
Vehicle	Model #	Years	Notes	Bearing, Seal & Gasket Kit	Seal & Gasket Kit	Chain
Mazda (cont.)						
B4000	1354	10-94	Manual Shift or Electric Shift	TCRK-1354	DTK-1354	HV022
B4000	4405	1997	Electric Shift	TCRK-4405AA	DTK-4405	HV051
B4000	4405	96-95	Electric Shift	TCRK-4405	DTK-4405	HV051
MPV Van		98-91		TCRK-FMZ230	DTK-FMZ230	N/A
Navajo	1354	94-91	Manual Shift or Electric Shift	TCRK-1354	DTK-1354	HV022
Mitsubishi						
Montero	KM120	94-92		TCRK-FM220	DTK-FM220	N/A
Raider	243	09-06		TCRK-243D	DTK-243D	HV072
Raider	233	09-06	Electric Shift	TCRK-233AA	DTK-233AA	HV027
Raider	244	08-06	Electric Shift	TCRK-242EE	DTK-242EE	HV072
Truck	KM100	94-83		TCRK-FM230	DTK-FM230	N/A
Nissan						
Truck	TY10B	94-90		TCRK-FN500	DTK-FN500	N/A
Truck	TX10	94-86	Direct Mount Transfer Case	TCRK-FN240	DTK-FN240	N/A
Truck	T100L	86-81	Remote Transfer Case	TCRK-FN180	DTK-FN180	N/A
Ram						
Dakota	243	11-10		TCRK-243D	DTK-243D	HV072
Dakota	233	11-10	Electric Shift	TCRK-233AA	DTK-233AA	HV027
1500	4811	2019		TCRK-4811	DTK-4811	
1500	4812	2019		TCRK-4812	DTK-4812	
1500	4444	19-11		TCRK-4444	DTK-4444	HV076
1500	4445	19-11		TCRK-4444	DTK-4444	HV076
1500	3010	13-11		TCRK-3010	DTK-3010	HV084
2500	4446	18-12		TCRK-4446A	DTK-4446A	HV064
2500	4447	18-12		TCRK-4446A	DTK-4446A	HV064
2500	271	12-11		TCRK-271BB	DTK-271BB	HV064
2500	273	12-11		TCRK-271CC	DTK-271CC	HV064
3500	4447	18-12		TCRK-4446A	DTK-4446A	HV064
3500	4446	18-12		TCRK-4446A	DTK-4446A	HV064
3500	271	12-11		TCRK-271BB	DTK-271BB	HV064
3500	273	12-11		TCRK-271CC	DTK-271CC	HV064
4500	4447	18-12		TCRK-4446	DTK-4446	HV064
4500	4446	18-12		TCRK-4446	DTK-4446	HV064
4500	271	12-11		TCRK-271BB	DTK-271BB	HV064
4500	273	12-11		TCRK-271CC	DTK-271CC	HV064
5500	4447	18-12		TCRK-4446	DTK-4446	HV064
5500	4446	18-12		TCRK-4446	DTK-4446	HV064
5500	271	12-11		TCRK-271BB	DTK-271BB	HV064
5500	273	12-11		TCRK-271CC	DTK-271CC	HV064
Saab						
9-7x	126	08-05		TCRK-226	DTK-226	HV059
Suzuki						
Samurai	TS45	90-85	Remote Transfer Case	TCRK-FS120	DTK-FS120	N/A
Sidekick	G130	98-87		TCRK-FS140	DTK-FS140	HV10-110
Toyota						
Camry	S110; From 10/87	91-87		Obsolete	Obsolete	N/A
Camry	S120; From 10/87	91-87		Obsolete	Obsolete	N/A
Celica	S100	93-89		TCRK-FT740	DTK-FT740	N/A
Landcruiser	LC16; To 1/90	90-87		TCRK-FT400	DTK-FT400	N/A
Landcruiser	LC14; From 8/80	87-80		TCRK-FT240	DTK-FT240	N/A
Landcruiser	LC12; To 7/80	80-73		TCRK-FT360	DTK-FT360	N/A
Landcruiser	LC10	75-69		TRK-FT490	DTK-FT490	N/A
Truck	R100	08-86	Chain Driven, Manual T/M Only	TCRK-FT390	DTK-FT390	HV10-102
Truck	W100	86-78	Gear Driven, Manual T/M Only	TCRK-FT260	DTK-FT260	N/A
Van	T100	97-90	Chain Driven, Manual T/M Only	TCRK-FT770	DTK-FT770	HV10-103

Transmission & Transfer Case Small Parts Kit

Part No.	Industry Part No.	Application	Years
SPK-4C	SP1104-50C	Warner T4 GM Truck Only	1982-1988
SPK-5	SP1105-50	Warner T4 & T5	1982-1985
SPK-5W	SP1105-50A	Warner T5 World Class	1985-On
SPK-10	SP10-50	Warner T10	1957-1966
SPK-10W	SP10W-50	Warner Super T10	1974-1982
SPK-14	SP14-50	Warner T14	1967-1975
SPK-15	SP15-50	Warner T15	1967-1979
SPK-18	SP18-50	Warner T18	1965-
SPK-19	SP19-50	Warner T19	1968-
SPK-27	SP277-50	New Process 540, 541	1966-1969
SPK-29	SP310-50	New Process 542	1970-1984
SPK-127	SP291-50	New Process 435, 436	1963-
SPK-150F	SP287-50	Tremec RAB, RAN, RAT	1965-1982
SPK-150J	SP150-50B	Tremec T150 Jeep	1975-1980
SPK-170	SP170-50	Warner T170	1978-1985
SPK-170A	SP296-50	Ford 3 Speed HEH	1964-1973
SPK-205	SP205-50	New Process 205	1983-1987
SPK-208	SP208-50	New Process 208	1980-1986
SPK-231	SP231-50	New Process 231 & 241	1988-On
SPK-235	SP3500-50A	NVG3500, 5LM60, HM290	1988-1996
SPK-259	SP259-50B	Ford 3 Speed 259	1951-1962
SPK-280	SP280-50	Ford 3 Speed HED	1960-1967
SPK-285	SP305-50	Clark 280V, 282V, 285V	1968-1982
SPK-297	SP297-50	Muncie 4 Speed M22, Small Bore	1963-1965
SPK-297A	SP297-50A	Muncie 4 Speed M22, Large Bore	1966-1974
SPK-301	SP301-50	Saginaw SM326	1966-1985
SPK-318/319	SP266-50B	Muncie 318/319	1955-1968
SPK-318/319A	SP242-50B	Muncie 318/319	1940-1954
SPK-833	SP294-50	New Process 833	1975-1980
SPK-4500	SP4500-50	NVG 4500 Dodge & GM	1992-
SPK-AX5	SPAX5-50	Aisan Warner AX5, G52 Toyota	1985-
SPK-BW90	SP90A-50	Warner T90A, T90B	1946-1971
SPK-M465	SP304-50	Muncie CH465, SM465, M20	1968-1982

Transfer Case Chain Information

Link and Pin Nomenclature



Chain Component Identification

- Link Apertures: Holes in links either round or Rocker Joint shaped to match the connecting pins. This is the area of articulation in the chain.
- Guide Link: Link plate positioned on the outside of the chain. This pilots the chain on the sprocket.
- Link Flank: Lower portion of link which engages the sprocket teeth.
- Link Crotch: Space between link flanks which clear the sprocket tooth tip.
- Link Back: The outside curvature of the link design to provide strength and operating smoothness. Some are designed flat rather than curved.
- Round Pin: Singular round pin used to articulate the chain.
- Rocker Joint Pin: Two pins are utilized to articulate the chain.

A round pin chain can be rolled into a ball. A rocker pin chain cannot be. Round and rocker pin chains are not interchangeable.

Chain Identification Terms

- Pitch: Effective length between the center points of the apertures, which are the points of joint movement.
- Width: The approximate dimension between the inside and outside guide links.
- Random Chain: Patterns which are interlaced in a random link pattern utilizing two different link styles in rows across the chain.
- Chain measurement example: 3/8" Pitch x 1-1/4" Width x 72 Pitches — 72 pitches would be 36 total guide plates per side

Transfer Case Products

New Process 203

Bearings & Seals	Position	Specifications
QAR29523	Output Shaft Pilot Brg.	Loose Needles (15 per pack)
1210-L	Input Shaft Brg.	50x90x20 N/R
307-L	Front Output Shaft Front Brg.	35x80x21 N/R
M28161	Front Output Shaft Rear Brg.	1.750x2.125x1.000
C1086-Q	Output Shaft Brg.	Loose Needles (23 per pack)
J3616	Rear Output Shaft Front Brg.	2.250x2.625x1.000
Q8113	Planetary Needles	Loose Needles (132 per pack)
19255	Input Shaft Seal	1.938x2.680x.500 (2 Spring)
473214	Input Shaft Seal	1.375x2.250x.312
410308	Front Output Shaft Seal	2.125x3.061x.500
710005	Front Output Shaft Seal	1.750x3.062x.485
2043	Rear Output Shaft Seal	1.940x2.762x.500
473204	Rear Output Shaft Seal	2.125x2.750x.375
3946	Rear Output Shaft Seal	1.875x2.750x.500
471424	Rear Output Shaft Seal	2.000x2.623x.312
6835-S	Shift Shaft Seal	.750x1.250x.312
3821370	Lube Washer	
GTK-203U	Gasket Set	

Chains	Position	Specifications
HV005	Obsolete	.3750 Pitch x 2 1/2" Width x 98 Pitches-RJ
HV009	Obsolete	.5033 Pitch x 2" Width x 72 Pitches-RJ

Input Shafts	Position	Specifications
NV13343		27 Spline (With TH350 Transmission)

Transfer Case Products

New Process 205

Bearings & Seals	Position	Specifications
QAR29523	Output Shaft Pilot Brg.	Loose Needles (15 per pack)
210-L	Input Shaft Brg.	50x90x20 N/R
307-L	Front Output Shaft Front Brg.	35x80x21 N/R
M28161	Front Output Shaft Rear Brg.	1.750x2.125x1.000
B3216	Rear Output Shaft Front Brg.	2.000x2.375x1.000
2793-2720	Idler Shaft Brg.	1.375x3.000x.937
QBR23549	Low Gear Brg.	Loose Needles (16 per pack)
19255	Input Shaft Seal	1.938x2.680x.500 (2 Spring, Diesel & Manual Trans.)
19255	Input Shaft Seal	1.938x2.680x.500 (2 Spring)
482163-N	Input Shaft Seal	1.375x1.983x.312 (Gas or Diesel w/ Auto. Trans.)
710005	Front Output Shaft Seal	1.750x3.062x.485
410308	Rear Output Shaft Seal	2.125x3.061x.500
473457	Rear Output Shaft Seal	1.875x3.061x.375
9449	Rear Output Shaft Seal	1.887x2.704x.582
6835-S	Shift Shaft Seal	.750x1.250x.312
2287	Shift Shaft Seal	.750x1.250x.280
OR-216	O-Ring	
GTK-205STAR	Yoke Washer	
GTK105-901C	Gasket Set	Ford and Dodge with Remote Mount Transfer Case
GTK-205	Gasket Set	GM and Dodge except Cummins Diesel
GTK-205-1	Gasket Set	Dodge with Cummins Diesel
GTK-205GDM	Gasket Set	GM and Dodge with Direct Mount Transfer Case
SPK-205	Small Parts Kit	

Input Shafts	Position	Specifications
NV99646		10 Spline
NV11401		27 Spline
NV16615		29 Spline
NV11656		31 Spline
NV13929		32 Spline, 7 1/2" Length

Output Shafts	Position	Specifications
NV99653	Front	32 Spline

Sliders	Position	Specifications
2954116-R	Range and Mode	

Synchronizers	Position	Specifications
AWT275-2.5B	Front Output Mode Assembly	

Misc.	Position	Specifications
6259656	Coupling Sleeve	10 Spline, 4 1/4"
6273964	Coupling Sleeve	27 Spline

Transfer Case Products

New Process 208

Bearings & Seals	Position	Specifications
B5020	Input Shaft Brg.	1.990x2.283x.783
AXK5070	Input Shaft Thrust Brg.	1.970x2.750x.1181
NTA2435	Main Shaft Thrust Brg.	1.502x2.177x.078
TRA2435	Main Shaft Thrust Race	1.500x2.165x.028
B2012	Main Shaft Pilot Brg.	1.250x1.500x.750
1207	Main Shaft Front Brg.	35x72x17 N/R
B2816	Front Output Shaft Front Brg.	1.750x2.125x1.000
NTA2840	Front Output Shaft Front Thrust Brg.	1.752x2.500x.0781
TRA2840	Front Output Shaft Front Thrust Race	1.762x2.470x.029
B2416	Front Output Shaft Rear Brg.	1.500x1.876x.995
NTA2840	Front Output Shaft Rear Thrust Brg.	1.752x2.500x.0781
TRA2840	Front Output Shaft Rear Thrust Race	1.762x2.470x.029
TRC3244	Thrust Race	2.000x2.735x.009
C1086-Q*	Sprocket Brg.	Loose Needles (23 per pack)
19255	Input Shaft Seal	1.938x2.680x.500 (2 Spring)
3946	Front Output Shaft Seal	1.875x2.750x.500
9449	Rear Output Shaft Seal	1.887x2.704x.582
3946	Rear Output Shaft Seal	1.875x2.750x.500
341022	Oil Pump Seal	2.250x2.625x.187
472572	Rear Output Shaft Seal	1.875x2.750x.312
GTK-208	Gasket Set	
4219073	Fork Pads	
4167969	Fork Pads	
4167970	Fork Pads	
SPK-208	Small Parts Kit	
RP775	Tail Bushing	

Chains	Position	Specifications
HV012	Ford Applications	.5033 Pitch x 1 1/4" Width x 84 Pitches-RP
HV025	GM and Dodge Applications	.5033 Pitch x 1 1/4" Width x 72 Pitches-RP

Transfer Case Products

New Process 208 Continued

Forks	Position	Specifications
NV15380	Range Fork	Ford Applications, Non-Updated
NV15111	Range Fork	Ford Applications, Updated
4219070	Mode Fork	GM Applications
4167966R	Range Fork	GM Applications

Input Shafts	Position	Specifications
NV15786		23 Spline, Dodge Applications
NV13948		27 Spline, GM Applications
NV13779		31 Spline, Ford Applications
NV15112		32 Spline, GM Applications

Planetary Sets	Position	Specifications
4329198R		

Pumps	Position	Specifications
NV15486	Pump Housing	
NV11801	Pump Gear	

Synchronizers	Position	Specifications
NV15210	GM Applications	
NP208-K	Key and Spring Kit	

Transfer Case Products

New Process 231

Bearings & Seals	Position	Specifications
ZN1065	Input Shaft Pilot Brg.	1.215x1.507/1.233x.882
BD50-8	Input Shaft Brg.	50x80x23.75 w/snap ring on edge
110-L	Input Shaft Brg.	50x80x16 N/R
B2416	Front Output Shaft Rear Brg.	1.500x1.876x.995
206-L	Front Output Shaft Front Brg.	30x62x16
207	Rear Output Shaft Rear Brg.	35x72x17
BB1-1015	Rear Output Shaft Rear Brg.	35x72x17
B5020	Drive Sprocket Brg.	1.990x2.283x.783
J1212	Shift Shaft Brg.	20x25.4x19
19255	Input Shaft Seal	1.938x2.680x.500 (2 Spring)
710046	Front Output Shaft Seal	1.552x2.447x.500
4813-V	Front Output Shaft Seal	1.177x2.448x.500
NV31219	Front Output Shaft Seal	1.552x2.460x.500
2506	Rear Output Shaft Seal	1.558x2.372x1.500 (Dodge)
9613-S	Rear Output Shaft Seal	1.500x2.377x.470 (Jeep & Chevy)
9449	Rear Output Shaft Seal	1.890x2.700x.582
NV19129	Rear Output Shaft Seal	1.177x2.572x.433/.638 Extending Lip.
NV31808	Rear Output Shaft Seal	1.448x3.083x.433
341022	Oil Pump Seal	2.250x2.625x.187
727410	Shift Shaft Seal	.750x1.000x.125
ZM1001	Planetary Thrust Washer	2.625x3.885x.065
OR-116	Shift Shaft O-Ring	
OR-109	Oil Pump O-Ring	
OR-014	O-Ring	
OR-013	O-Ring	
OR-015	O-Ring	
GTK-207STAR	Yoke Washer	
4167969	Fork Pads	
4219073	Fork Pads	
4167970	Fork Pads	
GTK-207-1	Adapter Gasket	
GT-243	Adapter Gasket	

Chains	Position	Specifications
HV022		.5033 Pitch x 1 1/4" Width x 62 Pitches-RP
HV027		.5033 Pitch x 1" Width x 62 Pitches-RP

Chain Sprockets	Position	Specifications
NP4636963	Drive Sprocket	Used with 1" Chain
NP4338934	Driven Sprocket	Used with 1" Chain
NV19043	Drive Sprocket	Used with 1 1/4" Chain
NV16619	Driven Sprocket	Used with 1 1/4" Chain

LD Transmission

Transfer Case Products

New Process 231 Continued

Forks	Position	Specifications
NV16267	Mode Fork	Casting#16196
NV17790	Mode Fork	Casting#17769
NV17833	Range Fork	Casting#17833

Input Shafts	Position	Specifications
NV16758		21 Spline, used with BD50-8 Input Brg., 4.30" Length
NV17822		23 Spline, used with BD50-8 Input Brg., 5.30" Length
NV17449		23 Spline, used with BD50-8 Input Brg., 4.30" Length
NV17949		23 Spline, used with 110-L Input Brg., 5.30" Length

Planetary Sets	Position	Specifications
NV17869		Used with 110-L Input Brg.

Pumps	Position	Specifications
NV16209	Pump Assembly	

Sliders	Position	Specifications
241-15	Mode Slider	48 Tooth
NV17773	Mode Slider	60 Tooth
NV19114	Range Slider/Hub Assembly	

Synchronizers	Position	Specifications
NV17915	Mode Synchro. Assembly	48 Tooth
241-14	Mode Synchro. Ring	48 Tooth, Narrow Teeth, used with 110-L Input Brg.
NV17779	Mode Synchro. Ring	60 Tooth
NP208-K	Key and Spring Kit	48 Tooth
NV16217	Pump Screen	

Transfer Case Products

New Process 241/243

Bearings & Seals	Position	Specifications
ZN1065	Input Shaft Pilot Brg.	1.215x1.507/1.233x.882
B2110	Input Shaft Pilot Brg.	1.312x1.625x.625
ZN1174	Input Shaft Pilot Brg.	34.2x39/41.3x25
BD50-8	Input Shaft Brg.	50x80x23.75 w/snap ring on edge
110-L	Input Shaft Brg.	50x80x16 N/R
ZB1180	Input Shaft Brg.	50x80x23.75 w/snap ring in middle
307-L	Front Output Shaft Front Brg.	35x80x21 N/R
B3612	Rear Output Shaft Front Brg.	58x66.75x19
B2416	Front Output Shaft Rear Brg.	1.500x1.876x.995
BB1-1015	Rear Output Shaft Rear Brg.	35x72x17
112L	Output Gear Brg.	60x95x18 N/R
J2416	Output Shaft Rear Brg.	1.500x1.875x1.000
207	Rear Output Shaft Rear Brg.	35x72x17
B5020	Drive Sprocket Brg.	1.990x2.283x.783
19255	Input Shaft Seal	1.938x2.680x.500 (2 Spring)
710627	Input Shaft Seal	49x68.5x9.5
3946	Front Output Shaft Seal	1.875x2.750x.500
4741	Rear Output Shaft Seal	2.200x3.022x.422
3946	Rear Output Shaft Seal	1.875x2.750x.500
5013019AA	Rear Output Shaft Seal	49x70x11.5
9449	Rear Output Shaft Seal	1.890x2.700x.582
341022	Oil Pump Seal	2.250x2.625x.187
727410	Shift Shaft Seal	.750x1.000x.125
NV27024	Shifter Seal	1.500x2.260x.006
710597	Shift Shaft Seal	.750x1.000x.225
NV29133	Planetary Thrust Washer	2.280x3.115x.050
ZM1001	Planetary Thrust Washer	2.625x3.885x.065
297-62	Extension Housing Bushing	2.010" OD
NV16428	Shift Rail Bushing	.630x.720x.500
NV48698	Shift Shaft Bushing	.765x.825x.645
OR-015	O-Ring	
OR-013	Oil Pump O-Ring	
OR-117	Speed Sensor O-Ring	
OR-012	O-Ring	
OR-014	O-Ring	
OR-109	Oil Pump O-Ring	
OR-116	Shift Shaft O-Ring	
GTK-205STAR	Yoke Washer	
4167969	Fork Pad	
4219073	Fork Pad	
ZM1000	Fork Pad	
GT-243	Adapter Gasket	
NV41500	Case Plug	
NV22408	Extension Housing Gasket	241DHD Metal/Rubber Ext. Housing Gasket

Transfer Case Products

New Process 241/243 Continued

Chains	Position	Specifications
HV031		.5033 Pitch x 1 1/2" Width x 72 Pitches-RP
HV025		.5033 Pitch x 1 1/4" Width x 72 Pitches-RP
HV072		.3750 Pitch x 1 1/4" Width x 98 Pitches-RJ
HV081		.4346 Pitch x 1 1/4" Width x 84 Pitches-RJ

Chain Sprockets	Position	Specifications
NV17813	Mode Sprocket	1 3/8" Wide (241DHD Only)
NV17814	Mode Sprocket	1 1/8" Wide (241DHD Only)
241-235	Mode Sprocket	All except 241DHD

Forks	Position	Specifications
NV16267	Mode Fork	Casting#16196
NV17025	Mode Fork	Casting#16342-B
NV17790	Mode Fork	Casting#17769
NV17833	Range Fork	Casting#17833, Aluminum
NV17543	Range Fork	Casting#17524

Input Shafts	Position	Specifications
NV19019		32 Spline with 110-L Input Brg.
NV17118		32 Spline with BD50-8 Input Brg.
NV22409		29 Spline with 110-L Input Brg.
NV19020		27 Spline with 110-L Input Brg.
NV16959		27 Spline with BD50-8 Input Brg.
NV21288		23 Spline with 110-L Input Brg.
NV22390		23 Spline with 110-L Input Brg., Wide Teeth
NV17949		23 Spline with 110-L Input Brg., Narrow Teeth
NV17822		23 Spline with BD50-8 Input Brg., Wide Teeth
NV17953		23 Spline with BD50-8 Input Brg., Narrow Teeth
NV17954		29 Spline with 110-L Input Brg., 5" Length

Output Shafts	Position	Specifications
NV20482		32 Spline, 18 1/2" Length
NV20480		32 Spline, 19 7/16" Length

Planetary Sets	Position	Specifications
NV17869		Narrow Teeth, used with 110-L Input Brg.

Pumps	Position	Specifications
NV24956	Pump Assembly	31 Spline
NV16209	Pump Assembly	32 Spline

Transfer Case Products

New Process 241/243 Continued

Sliders	Position	Specifications
241-15	Mode Slider	48 Tooth
NV17773	Mode Slider	60 Tooth
NV19114	Range Slider	All except 241DHD

Synchronizers	Position	Specifications
NV17915	Mode Synchro. Assembly	48 Tooth
241-14	Mode Synchro. Ring	48 Tooth
NV17779	Mode Synchro. Ring	60 Tooth
NP208-K	Key and Spring Kit	48 Tooth
NP241-K	Key and Spring Kit	60 Tooth

Misc.	Position	Specifications
NV16754	Poppet Plunger	
NV16217	Pump Screen	
1300-139-027	Output Bearing Retainer Snap Ring	

Transfer Case Products

New Process 242

Bearings & Seals	Position	Specifications
ZN1065	Input Shaft Pilot Brg.	1.215x1.507/1.233x.882
BD50-8	Input Shaft Brg.	50x80x23.75 w/snap ring on edge
110-L	Input Shaft Brg.	50x80x16 N/R
NV19129	Rear Output Shaft Seal	1.177x2.572x.433/.638 Extending Lip
207	Front Output Shaft Front Brg.	35x72x17
B2416	Front Output Shaft Rear Brg.	1.500x1.876x.995
206-L	Rear Output Shaft Rear Brg.	30x62x16
BB1-1015	Rear Output Shaft Rear Brg.	35x72x17
J1212	Shift Shaft Brg.	20x25.4x19
J2416	Needle Brg.	1.500x1.875x1.000
Q8308	Drive Sprocket Brg.	Loose Needles (116 per pack)
19255	Input Shaft Seal	1.938x2.680x.500 (2 Spring)
3946	Front Output Shaft Seal	1.875x2.750x.500
714503	Front Output Shaft Seal	1.875x2.750x.500
18758	Front Output Shaft Seal	1.875x2.750x.500
9613-S	Rear Output Shaft Seal	1.500x2.377x.470
4333-N	Rear Output Shaft Seal	1.886x2.699x.350
UH0911-E	Rear Output Shaft Seal	1.850x2.750x.460 (Slip Yoke)
NV30138	Rear Output Shaft Seal	1.800x2.880x.650
NV22507	Rear Output Shaft Seal	1.835x2.700x1.325
710046	Rear Output Shaft Seal	1.552x2.447x.500
341022	Oil Pump Seal	2.250x2.625x.187
727410	Shift Shaft Seal	.750x1.000x.125
ZM1001	Planetary Thrust Washer	2.625x3.885x.065
OR-014	O-Ring	
OR-109	Oil Pump O-Ring	
OR-116	Shift Shaft O-Ring	
OR-115	O-Ring	
GTK-205STAR	Yoke Washer	
4167969	Fork Pad	
4167970	Fork Pad	
ZM1000	Fork Pad	
GT-243	Adapter Gasket	

Chains	Position	Specifications
HV028		.5033 Pitch x 1" Width x 72 Pitches-RP
HV061		.5033 Pitch x 1" Width x 72 Pitches-RJ
HV062		.3750" Pitch x 1" Width x 98 Pitches-RJ
HV063		.3750" Pitch x 1 1/4" Width x 98 Pitches-RJ

Chain Sprockets	Position	Specifications
NV16365	Driven Sprocket	Removable

Transfer Case Products

New Process 242 Continued

Forks	Position	Specifications
NV21222	Range Fork	Casting#16448, Iron
NV17833	Range Fork	Casting#17833, Aluminum

Input Shafts	Position	Specifications
NV19061	Input Shaft	23 Spline with 110-L Input Brg., 4.25" Length
NV17449	Input Shaft	23 Spline with BD50-8 Input Brg., 4.25" Length

Planetary Sets	Position	Specifications
NV17869		Narrow Teeth, used with 110-L Input Brg.

Pumps	Position	Specifications
NV16209	Pump Assembly	

Sliders	Position	Specifications
NV16662	Range Slider	Used with Iron Fork
NV19068	Range Slider	Used with Aluminum Fork

Misc.	Position	Specifications
NV16754	Poppet Plunger	
NV16217	Pump Screen	

Transfer Case Products

New Process 246

Bearings & Seals	Position	Specifications
110	Input Shaft Brg.	50x80x16
ZN1065	Input Shaft Pilot Brg.	1.215x1.507/1.233x.882
111	Rear Output Shaft Center Brg.	55x90x18
ZB1055	Rear Output Shaft Rear Brg.	35x80x23 N/R
B5020	Front Output Shaft Rear Brg.	1.990x2.283x.783
B2416	Front Output Shaft Rear Brg.	1.500x1.876x.995
ZN1146	Clutch Housing Brg.	50x58x38
ZN1147	Shift Shaft Brg.	19.5x26x11
NV22441	Input Shaft Seal	1.875x2.700x.500
NV22507	Rear Output Shaft Seal	1.835x2.700x1.325
NV30138	Front Output Shaft Seal	1.800x2.880x.650
NV22452	Front Output Shaft Seal	1.325x2.565x.385
341022	Oil Pump Seal	2.250x2.625x.187
ZM1001	Planetary Thrust Washer	2.625x3.885x.065
OR-015	O-Ring	
OR-109	Oil Pump O-Ring	
OR-116	Shift Shaft O-Ring	
4167969	Fork Pads	
ZM1000	Fork Pads	
GT-243	Adapter Gasket	
ZM1048	Fork Pads	

Chains	Position	Specifications
HV063		.3750 Pitch x 1 1/4" Width x 98 Pitches-RJ (One Blue Guide Link)
HV072		.3750 Pitch x 1 1/4" Width x 98 Pitches-RJ (Three Blue Guide Links)

Chain Sprockets	Position	Specifications
NV31269	Drive/Driven	

Forks	Position	Specifications
NV40966	Apply Fork	2003 and Newer Models
NV26542	Range Fork	

Transfer Case Products

New Process 246 Continued

Input Shafts	Position	Specifications
NV19019	Input Shaft	27 Spline
NV19020	Input Shaft	32 Spline

Planetary Sets	Position	Specifications
NV17869		6 Pinion, used with 110 Input Brg.

Pump	Position	Specifications
NV16686		38 Spline

Sliders	Position	Specifications
NV17982	Range Slider and Hub	

Misc.	Position	Specifications
NV16754	Poppet Plunger	
NV16217	Pump Screen	
NV41500	Case Plug	

Transfer Case Products

New Process 261/263

Bearings & Seals	Position	Specifications
ZN1174	Input Shaft Pilot Brg.	34.2x39/41.3x25
110	Input Shaft Brg.	50x80x16
BD50-8	Input Shaft Brg.	50x80x23.75 w/snap ring on edge
B5020	Front Output Shaft Rear Brg.	1.990x2.283x.783
208-L	Rear Output Shaft Rear Brg.	40x80x18 N/R
ZB1151	Rear Output Shaft Rear Brg.	41x80x18 N/R
NV22441	Input Shaft Seal	1.854x2.677x.511
B126	Shift Detent Brg.	15x27.8x18.4
ZN1147	Shift Detent Brg.	19.5x26x11
NV30138	Front Output Shaft Seal	1.800x2.880x.650
NV22507	Rear Output Shaft Seal	1.835x2.700x1.325
4741	Rear Output Shaft Seal	2.200x3.022x.422
727410	Shift Shaft Seal	.750x1.000x.125
ZM1001	Planetary Thrust Washer	2.625x3.885x.065
OR-012	Pick-Up Tube O-Ring	
OR-015	Shift Detent O-Ring	
OR-109	Oil Pump O-Ring	
OR-116	Shift Shaft & VSS O-Ring	
OR-220	Oil Pump O-Ring	
GTK-205STAR	Yoke Washer	
ZM1048	Fork Pads	
GT-243	Adapter Gasket	

Chains	Position	Specifications
HV069		.3750 Pitch x 1 1/2" Width x 98 Pitches-RJ 3 Blue Guide Links
HV072		.3750 Pitch x 1 1/4" Width x 98 Pitches-RJ
HV074		.4346 Pitch x 1 1/2" Width x 84 Pitches-RP

Chain Sprockets	Position	Specifications
NV21965	Drive and Driven	Used with 1 1/2" Chain (261)
NV31269	Drive and Driven	Used with 1 1/4" Chain (261)
NV40910	Drive and Driven	Used with 1 1/2" Chain (261XHD)

Forks	Position	Specifications
NV17833	Range Fork	Casting#17833, Aluminum
NV27756	Mode Fork	Casting#28624, Aluminum

Input Shafts	Position	Specifications
NV25890		27 Spline
NV42740		32 Spline
NV43996		29 Spline

Transfer Case Products

New Process 261/263 Continued

Output Shafts	Position	Specifications
NV27718		38 Spline Pump
NV48714		49 Spline Pump (261)
NV47936		49 Spline Pump (261XHD)

Planetary Sets	Position	Specifications
NV17869		6 Pinion used with 110-L Input Brg.

Pumps	Position	Specifications
NV16686		38 Spline
NV25904		49 Spline

Sliders	Position	Specifications
NV26082	Mode Slider	
NV27761	Range Slider	261
NV43350	Range Slider	261XHD
NV43681	Range Slider	263XHD
NV27721	Drive Hub	

Synchronizers	Position	Specifications
NV27722	Mode Synchro Inner	
NV21635	Mode Synchro Center Friction	
NV26081	Mode Synchro Outer	

Misc.	Position	Specifications
NV54319	Anti-Wear Case Protector Clip	
NV26162	Vent Tube	
NP208-K	Key and Spring Kit	
NV16217	Pump Screen	38 Spline
NV25502	Pump Screen	49 Spline
NV41500	Case Plug	

Transfer Case Products

New Process 271/273

Bearings & Seals	Position	Specifications
NV24260	Input Shaft Pilot Brg.	35x36.9/41.3x20.5
211-B	Input Shaft Brg.	55x100x21
111	Front Output Shaft Front Brg.	55x90x18
B2416	Front Output Shaft Rear Brg.	1.500x1.876x.995
212	Rear Output Shaft Rear Brg.	60x110x22
J3416	Extension Housing Brg.	2.165x2.500x1.000
NV25626	Input Shaft Seal	2.125x2.889x.401
BC3Z7B215A	Input Shaft Seal	2.30x3.16x.410
NV24288	Rear Output Shaft Seal	2.122x3.040x.430
NV38249	Rear Output Shaft Seal	2.300x3.335x.433
341022	Oil Pump Seal	2.250x2.625x.187
B353	Shift Shaft Seal	19x23.5x6
ZM1001	Planetary Thrust Washer	2.625x3.885x.065
OR-116	Shift Shaft O-Ring	
OR-109	Oil Pump O-Ring	
NV45379	Extension Housing Bushing	
4167969	Fork Pads	
4219073	Fork Pads	
ZM1000	Fork Pads	
ZM1048	Fork Pads	
GTC-NP1	Adapter Gasket	

Chains	Position	Specifications
HV064		.4346 Pitch x 1 1/2" Width x 98 Pitches-RP

Chain Sprockets	Position	Specifications
NV21966	Drive and Driven	

Forks	Position	Specifications
NV17543	Range Fork	Casting#17524, Non-Updated
NV41113	Range Fork	Casting#38356, Updated
NV41815	Range Fork	Casting#41816
NV27885	Range Fork	Updated

Input Shafts	Position	Specifications
NV26605		24 Spline
NV24257		29 Spline
NV44631		34 Spline
NV44926		29 Spline, 6 1/4" Length

Output Shafts	Position	Specifications
NV42757		Ford, Updated
NV49146		Dodge, 273D

Transfer Case Products

New Process 271/273 Continued

Planetary Sets	Position	Specifications
NV17869		6 Pinion used with 110-L Input Brg.

Pumps	Position	Specifications
NV25519		

Sliders	Position	Specifications
241-15	Mode Slider	24 Teeth
NV26948	Range Slider	Non-Updated
NV38304	Range Slider	Updated

Synchronizers	Position	Specifications
NV26549	Inner	
NV30130	Center	
NV30131	Outer	
NP208-K	Key and Spring Kit	

Misc.	Position	Specifications
NV16754	Poppet Plunger	
NV16217	Pump Screen	

Transfer Case Products

Borg Warner 1356

Bearings & Seals	Position	Specifications
110	Input Shaft Brg.	50x80x16
BK3026	Main Shaft Pilot Brg.	30x37x26
AA1512-12	Input Shaft Pilot Bushing	1.250x1.500x.500
207	Front Output Shaft Front Brg.	35x72x17
B2012	Front Output Shaft Rear Brg.	1.250x1.500x.750
207	Rear Output Shaft Brg.	35x72x17
714503	Input Shaft Seal	1.886x2.756x.823
714503	Front Output Shaft Seal	1.886x2.756x.823
714503	Rear Output Shaft Seal	1.886x2.756x.823 (Fixed Yoke)
UH0911-E	Rear Output Shaft Seal	1.850x2.750x.460 (Slip Yoke)
7399-S	Shift Shaft Seal	.625x.937x.187 (Manual Shift)
330385	Shift Shaft Seal	.375x.750x.250 (Electric Shift)
ZM1023	Yoke Seal	.750x1.380x.160
1356-235-001	Fork Pads	Range
1345-235-001	Fork Pads	Mode
OR-014	O-Ring	Magnetic Sensor
GTC-NP1	Adapter Gasket	
GT-PTO55	PTO Gasket	
BW1356-62	Tail Housing Bushing	

Chains	Position	Specifications
HV012		.5033 Pitch x 1 1/4" Width x 84 Pitches-RP

Chain Sprockets	Position	Specifications
1356-144-003	Drive Sprocket	
1356-144-002	Driven Sprocket	

Forks	Position	Specifications
4400-596-002	Mode Fork	
4400-596-001R	Range/Reduction Fork	

Output Shafts	Position	Specifications
1356-171-007R	With Slip Yoke and Long Shaft	
1356-171-013	With Bolt On Flange and Long Shaft	
1356-171-009	With Bolt On Yoke and Long Shaft	

Planetary Sets	Position	Specifications
1356-410-004	Updated Kit with Planet, Ring Gear, and Range Slider	

Pumps	Position	Specifications
PK1356	Pump Kit	

Sliders	Position	Specifications
1356-089-002	Mode Slider, Lockup	
4400-055-001	Mode Slider Flange, Electric Shift	
1356-089-001	Range Slider, 38 Teeth, Non Updated	
1356-089-003	Range Slider, 31 Teeth, Updated	

Misc.	Position	Specifications
1356-034-001	Hose	

Transfer Case Products

Borg Warner 4405

Bearings & Seals	Position	Specifications
209-L	Input Shaft Brg.	45x85x19 N/R
M18161	Main Shaft Pilot Brg.	1.125x1.374x1.00
AA1512-12	Main Shaft Pilot Bushing	1.250x1.500x.500
306-L	Front Output Shaft Front Brg.	30x72x19
206-L	Front Output Shaft Rear Brg.	30x62x16 N/R
207	Front Output Shaft Rear Brg.	35x72x17
306-L	Rear Output Shaft Rear Brg.	30x72x19
4143	Input Shaft Seal	1.625x2.440x.472
4143	Front/Rear Output Shaft Seal	1.625x2.440x.472
330385	Shift Shaft Seal	.375x.750x.250
ZM1043	Yoke Washer	
1356-235-001	Ford Pad	
GT-1350	Gasket Set	

Chains	Position	Specifications
HV051		.4346 Pitch x 1 1/4" Width x 74 Pitches-RJ
HV067		.4346 Pitch x 1" Width x 74 Pitches-RJ
HV070		.4346 Pitch x 1 1/4" Width x 74 Pitches-RJ 2 Blue Links

Chain Sprockets	Position	Specifications
4405-644-002	Drive Sprocket, with HV067 Chain	
4405-144-008	Driven Sprocket, with HV067 Chain	

Forks	Position	Specifications
4405-596-002	Range Fork	

Input Shafts	Position	Specifications
4405-189-002		

Pumps	Position	Specifications
4400-508-004		

Sliders	Position	Specifications
1354-089-002	Range Slider	

Misc.	Position	Specifications
4405-099-009	Electric Shift Cam	
4405-625-003	Clutch Pack	

Transfer Case Products

Magna Steyr 1222/1225/1226-RPO NQG

Bearings & Seals	Position	Specifications
110	Input Shaft Brg.	50x80x16, 1st Design
ZB1189	Input Shaft Brg.	55x90x16, 2nd Design
ZB1188	Front Output Shaft Front Brg.	45x75x12
ZB1188	Front Output Shaft Rear Brg.	45x75x12
ZN1216	Rear Output Shaft Pilot Brg.	1.350x1.625x.960, 1st Design
ZN1220	Rear Output Shaft Pilot Brg.	1.350x1.750x.950, 2nd Design
ZB1151	Rear Output Shaft Rear Brg.	41x80x18
ZN1219	Chain Sprocket Brg.	46x53x20
HK2010	Shift Shaft Brg.	20x26x10
710646	Input Shaft Seal	1.928x2.795x.456, 1st Design
19299081	Input Shaft Seal	2.100x3.000x.450, 2nd Design
710647	Front Output Shaft Seal	1.750x2.875x.472
24226707	Rear Output Shaft Seal	2.197x3.030x.394
710809	Shift Shaft Seal	20x26x4.5
ZM1050	Planetary Thrust Washer	2.750x3.270x.008
OR-31X1.5	O-Ring	
OR-019	O-Ring	
OR-015	O-Ring	
ZM1052	Fork Pads, Shift	
ZM1051	Fork Pads, Range	
ZM1053	Fork Pads, Range	
ZM1054	Case Access Plug	
GT-243	Adapter Gasket	Early
24263164	Adapter Gasket	Late
SPK-1222	Small Parts Kit	
SPK-1225	Small Parts Kit	
SPK-1226	Small Parts Kit	

Chains	Position	Specifications
HV074		.4346 Pitch x 1-1/2" Width x 84 Pitches-RP
HV501		.4346 Pitch x 1-1/4" Width x 84 Pitches-RJ
HV502		.4346 Pitch x 1-1/2" Width x 84 Pitches-RJ

Chain Sprockets	Position	Specifications
19133102	Drive Sprocket-1.25"	Use with HV501
19133103	Drive Sprocket-1.5"	Use with HV074
19133134	Driven Sprocket	Use with HV501
19133135	Driven Sprocket-1.5"	Use with HV074/HV502

Transfer Case Products

Magna Steyr 1222/1225/1226-RPO NQG **Continued**

Input Shafts	Position	Specifications
19132979		29-Spline, First Design Planetary, Round Adapter Pattern, Tooth Ground, Includes Inner Bearing
19299086		29-Spline, Second Design Planetary, Round Adapter Pattern, Tooth Ground, Includes Inner Bearing
19299087		29-Spline, Second Design Planetary, Oval Adapter Pattern, Tooth Ground, Includes Inner Bearing

Forks	Position	Specifications
19260065	Range Fork	Re-engineered to Include 2-Piece Pad Style(19260066), Fits Wide & Narrow Flange Range Sleeve
19133050	Mode Fork	Includes 3-Piece Pad Style

Output Shafts	Position	Specifications
19133062		31-Spline; Re-engineered to Include a HD Snap Ring

Mode Synchro. Sleeve	Position	Specifications
19133094		

Clutch Sleeves	Position	Specifications
19260067	High/Low Clutch; Range Sleeve	30T, Wider Flange (1st Design 148MM)
19299093	High/Low Clutch; Range Sleeve	29T, Wider Flange (1st Design 142MM)

Transfer Case Products

Magna Steyr 1625/1626-RPO NQF

Bearings & Seals	Position	Specifications
110	Input Shaft Brg.	50x80x16, 1st Design
ZB1189	Input Shaft Brg.	55x90x16, 2nd Design
ZB1188	Front Output Shaft Front Brg.	45x75x12
ZB1188	Front Output Shaft Rear Brg.	45x75x12
ZN1216	Rear Output Shaft Pilot Brg.	1.350x1.625x.960, 1st Design
ZN1220	Rear Output Shaft Pilot Brg.	1.350x1.750x.950, 2nd Design
ZB1151	Rear Output Shaft Rear Brg.	41x80x18
ZN1219	Chain Sprocket Brg.	46x53x20
ZB1187	Shift Actuator Brg.	20x42x8
710646	Input Shaft Seal	1.928x2.795x.456, 1st Design
19299081	Input Shaft Seal	2.100x3.000x.450, 2nd Design
710647	Front Output Shaft Seal	1.750x2.875x.472
24226707	Rear Output Shaft Seal	2.197x3.030x.394
19133170	Shift Motor Seal	.350x2.150x.400
ZM1050	Planetary Thrust Washer	2.750x3.270x.008
OR-31X1.5	O-Ring	
OR-019	O-Ring	
ZM1052	Fork Pads, Shift	
ZM1051	Fork Pads, Range	
ZM1054	Case Access Plug	
GT-243	Adapter Gasket	
SPK-1625	Small Parts Kit	
SPK-1626	Small Parts Kit	

Chains	Position	Specifications
HV074		.4346 Pitch x 1-1/2" Width x 84 Pitches-RP
HV502		.4346 Pitch x 1-1/2" Width x 84 Pitches-RJ

Chain Sprockets	Position	Specifications
19133103	Drive Sprocket-1.5"	Use with HV074

Input Shafts	Position	Specifications
19132979		29-Spline, First Design Planetary, Round Adapter Pattern, Tooth Ground, Includes Inner Bearing
19299086		29-Spline, Second Design Planetary, Round Adapter Pattern, Tooth Ground, Includes Inner Bearing
19299087		29-Spline, Second Design Planetary, Oval Adapter Pattern, Tooth Ground, Includes Inner Bearing

Transfer Case Products

Magna Steyr 1625/1626-RPO NQF Continued

Forks	Position	Specifications
19133031	Range Fork	Re-engineered to Include 2-Piece Pad Style(19260066), Fits Wide & Narrow Flange Range Sleeve
19133041	Mode Fork	Includes 3-Piece Pad Style
Output Shafts	Position	Specifications
19133062		31-Spline; Re-engineered to Include a HD Snap Ring
Synchro. Sleeve	Position	Specifications
19133094		
Clutch Sleeves	Position	Specifications
19260067	High/Low Clutch; Range Sleeve	30T, Wider Flange (1st Design 148MM)
19299093	High/Low Clutch; Range Sleeve	29T, Wider Flange (1st Design 142MM)

Transfer Case Products

Magna Steyr 3023/3024-RPO NQH

Bearings & Seals	Position	Specifications
110	Input Shaft Brg.	50x80x16
ZB1188	Front Output Shaft Front Brg.	45x75x12
ZB1188	Front Output Shaft Rear Brg.	45x75x12
ZN1215	Rear Output Shaft Pilot Brg.	30x38x22
208-L	Rear Output Shaft Rear Brg.	40x80x18 N/R
ZB1055	Rear Output Shaft Rear Brg.	35x80x23 N/R
ZN1219	Chain Sprocket Brg.	46x53x20
ZB1187	Shift Actuator Brg.	20x42x8
ZN1217	Shift Control Lever Thrust Brg.	60x87x5
ZN1218	Shift Control Brg.	51x54x16.5
ZN1223	Shift Worm-Gear Shaft Brg.	6.4x10x8
201-CC	Shift Motor Brg.	12x32x10
710646	Input Shaft Seal	1.928x2.795x.456
710684	Input Shaft Seal	58x81.3x12.5
710694	Front Output Shaft Seal	54x75x12.5
710647	Front Output Shaft Seal	1.750x2.875x.472
710695	Rear Output Shaft Seal	1.885x2.697x.461
24226707	Rear Output Shaft Seal	2.197x3.030x.394
19133207	Shift Motor Seal	36x57.5x9.75
ZM1050	Planetary Thrust Washer	2.750x3.270x.008
ZM1051	Fork Pads, Range	
OR-9.6X2.4	O-Ring	
OR-31X1.5	O-Ring	
OR-019	O-Ring	
ZM1054	Case Access Plug	
GTK-205STAR	Yoke Washer	
GT-243	Adapter Gasket	
SPK-3023	Small Parts Kit	
SPK-3024	Small Parts Kit	

Chains	Position	Specifications
HV074		.4346 Pitch x 1-1/2" Width x 84 Pitches-RP
HV501		.4346 Pitch x 1-1/4" Width x 84 Pitches-RJ
HV502		.4346 Pitch x 1-1/2" Width x 84 Pitches-RJ

Chain Sprockets	Position	Specifications
19133205	Drive Sprocket	3010/3023, use with HV501
19133134	Driven Sprocket	3010/3023, use with HV501
19133206	Drive Sprocket-1.5"	3023/3024 use with HV074/HV502
19133135	Driven Sprocket-1.5"	3023/3024 use with HV074/HV502

Transfer Case Products

Magna Steyr 3023/3024-RPO NQH Continued

Input Shafts	Position	Specifications
19132977		27-Spline, First Design Planetary, Tooth Ground, Includes Inner Bearing
19132978		32-Spline, First Design Planetary, Tooth Ground, Includes Inner Bearing

Forks	Position	Specifications
19133031	Range Fork	Re-engineered to Include 2-Piece Pad Style(19260066), Fits Wide & Narrow Flange Range Sleeve

Output Shafts	Position	Specifications
19133059		3023; 32-Spline; Re-engineered to Include a HD Snap Ring
19133060		3024; 31-Spline; Re-engineered to Include a HD Snap Ring

Clutch Sleeves	Position	Specifications
19260067	High/Low Clutch; Range Sleeve	30T, Wider Flange (1st Design 148MM)
19299093	High/Low Clutch; Range Sleeve	29T, Wider Flange (1st Design 142MM)

Shift Control Lever	Position	Specifications
19257393		HD Shift Control Lever w/ Bearing; Uses 10mm Clutch Lever Ball (2nd Design). Purchase with 19257394
19257394		HD Shift Control Lever; Uses 10mm Clutch Lever Ball (2nd Design). Purchase with 19257393

Light, Medium & Heavy Duty Products for Domestic & Foreign Applications

- Differential Rebuild Kits
- Transmission / Transaxle Rebuild Kits
- Transfer Case Rebuild Kits
- Timken® Tapered Roller Bearings
- MileMate® Matched Wheel Bearing Sets
- DT Components Wheel Seals
- Ring & Pinion Sets
- Eaton Limited Slip Differentials and Service Kits
- Detroit Locker Locking Differentials and Detroit Truetrac Limited Slip Differentials
- Tractech No Spin Heavy Duty Differentials
- Differential Internal Kits & Cases
- Axle Shafts
- Center Support Bearings
- U-Joints & Yokes
- EZ Sleeve™ Repair Sleeves
- Seal & Gasket Kits
- Input Shafts & Counter Shafts
- Transmission Gears & Related Parts
- Synchronizer Rings & Assemblies
- Synchronizer Ring Kits
- Transfer Case & Automatic Transmission Chains
- Ball Bearings
- Clutch Installation Kits
- Clutch Release & Pilot Bearings
- Cylindrical & Needle Roller Bearings
- Shim Stock Rolls
- Small Parts Kits
- Permatex® Adhesives & Sealants
- Hub Assemblies

DT[®]
Components
Drivetrain Products
Marketed by The Timken Corporation



Snap this QR code with your smartphone app to visit our web site.

For order placement contact:
North Coast Bearings

Toll Free: 800-627-0700

Toll Free Fax: 800-627-9401

www.dtcomponents.com

Timken, DT Components and MileMate are registered trademarks of The Timken Company.
North Coast Bearings and EZ Sleeve are trademarks of North Coast Bearings, LLC

© 2019 North Coast Bearings, LLC

Printed in the U.S.A.

DT2020 5M 1-20