

NTN[®]

Sentinel™ Series



Stainless Units

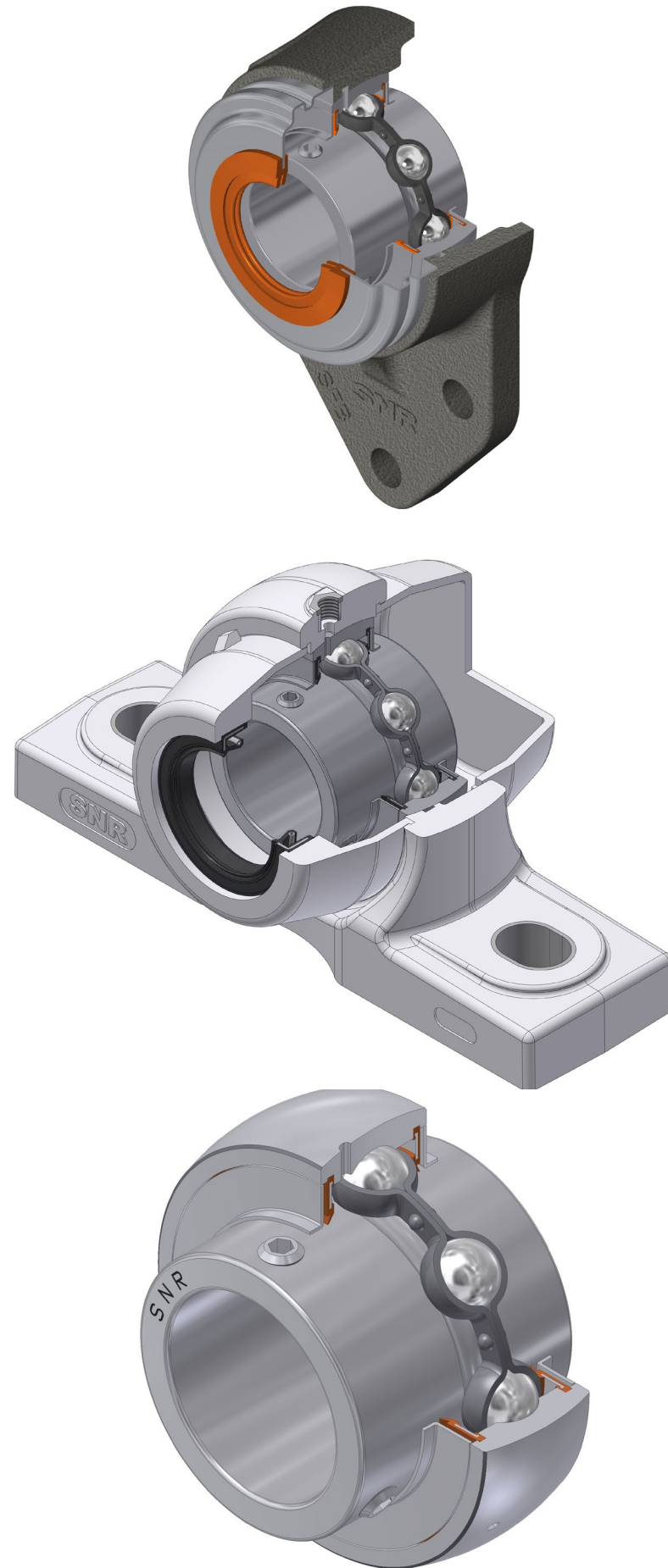


Thermoplastic Units

CAT. No. A-2200



Nonfood Compounds
(Category Code H1)



What is Sentinel Series?

NTN's Sentinel Series is a premium line of corrosion-resistant products developed for the harsh conditions of the food & beverage industry. With available products ranging from deep groove ball bearings, bearing inserts and mounted units available in numerous combinations of housings, protective covers, grease and sealing options, Sentinel Series provides a family of food & beverage market solutions to improve overall equipment effectiveness, increase production and provide value.



Key product characteristics

- Sentinel Series mounted bearing units are available in either solid-base reinforced thermoplastic or solid stainless-steel housing designs.
- Sentinel Series mounted bearing units are cap capable allowing you to add or remove covers depending on your application needs.
- Sentinel Series insert bearings are filled with FDA H1 food grade grease or NTN's H1 solid polymer lubricant.
- Sentinel Series is designed with food safety and overall equipment effectiveness in mind.

Materials

Inner/Outer Races & Balls

- 440C Stainless Steel

Retainer/Cage

- 302 Stainless Steel

Slinger and Seal

- 302 Stainless Steel
- Silicone Rubber

Stainless Housing & Cover

- 304 Stainless Steel

Thermoplastic Housing & Cover

- PBT - Thermoplastic

Greases

- H-1 Food-Grade Grease
- H-1 Solid Lubricant (FG1)



Table of Contents

NOMENCLATURE SYSTEM

BALL BEARING UNITS 6

BALL BEARINGS 7

STAINLESS STEEL HOUSINGS

PILLOW BLOCK 8-11

TAPPED BASE PILLOW BLOCK 12-15

FOUR-BOLT FLANGE 16-19

TWO-BOLT FLANGE 20-23

THREE-BOLT FLANGE 24-27

TAKE-UP 28-31

THERMOPLASTIC HOUSINGS

PILLOW BLOCK 32-35

TAPPED BASE PILLOW BLOCK 36-39

FOUR-BOLT FLANGE 40-43

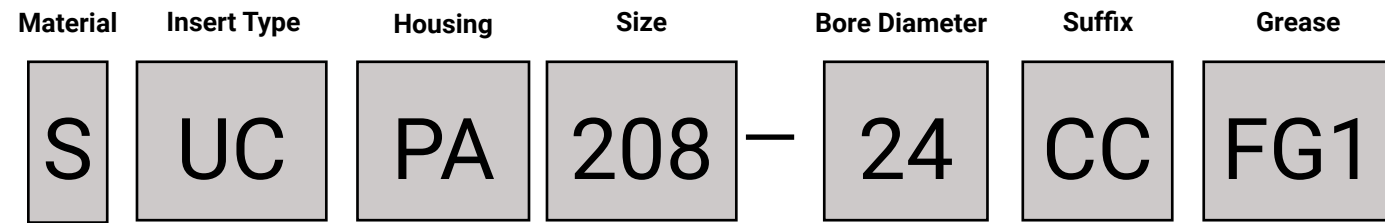
TWO-BOLT FLANGE 44-47

THREE-BOLT FLANGE 48-51



Sentinel Series Nomenclature System

Ball Bearing Units

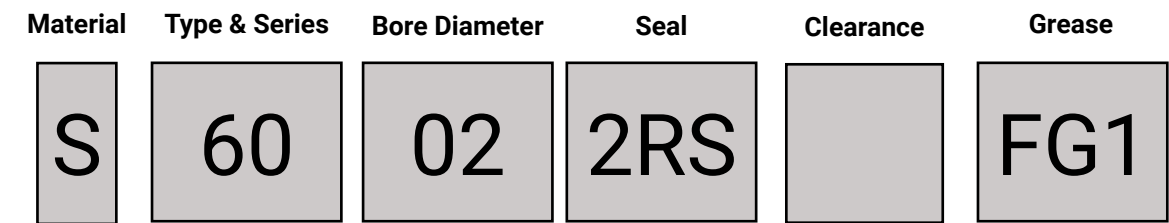


- MATERIAL**
S: Stainless steel
Z: Clear zinc chromate
- INSERT TYPE**
UC: Wide inner ring, set screw type w/slinger
- HOUSING**
Stainless Steel
P: Pillow block
PA: Tapped-base pillow block
FL: Two-bolt flange
FB: Three-bolt bracket flange
F: Four-bolt flange
T: Take up unit

Thermoplastic
PPL: Pillow block
TBL: Tapped-base pillow block
NFL: Two-bolt flange
FBL: Three-bolt flange bracket
FPL: Four-bolt flange
- SIZE**
2xx: Basic size
- BORE DIAMETER**
XX: Bore diameter in 16ths of an inch (ex: 24/16 = 1.5")
- SUFFIX**
CC: Closed cover †
CO: Open cover †
No Designation: No cover
† - 1 additional open cover included for pillow blocks
- GREASE**
No Designation: H1 food-grade grease
FG1: H1 food-grade solid lube

Sentinel Series Nomenclature System

Ball Bearings

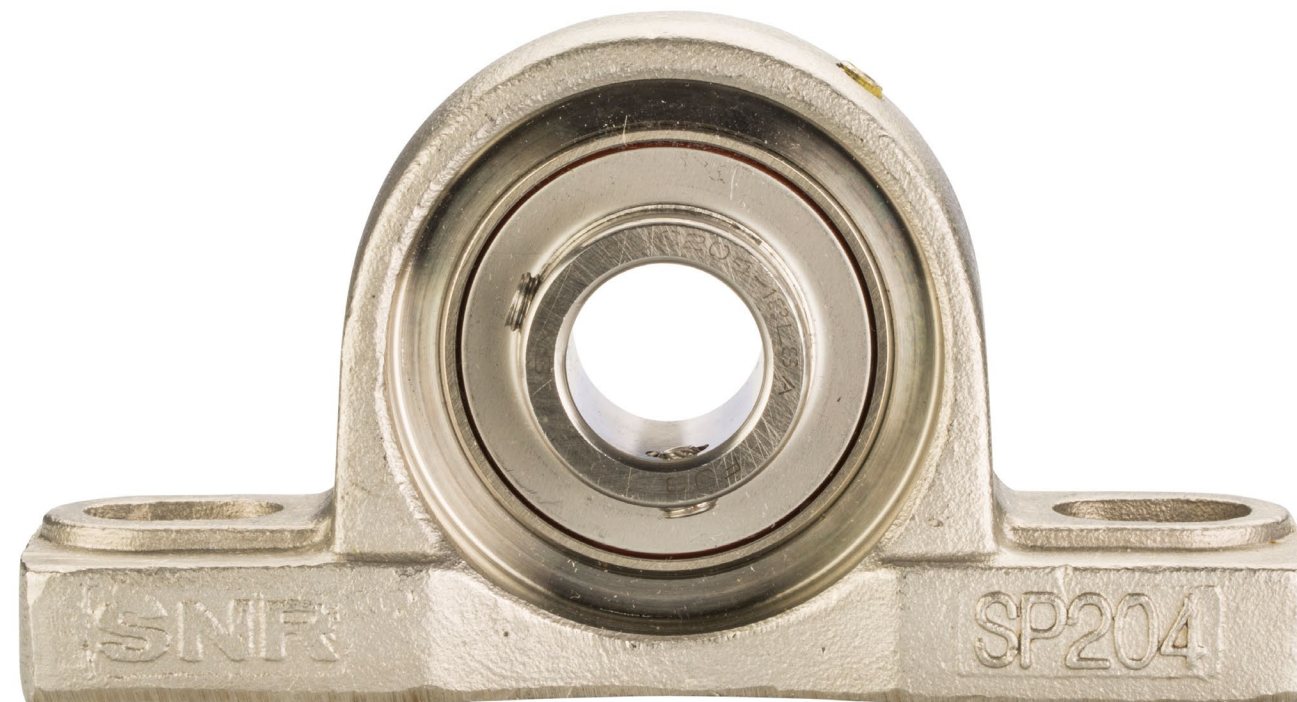


- MATERIAL**
S: Stainless steel
- TYPE & SERIES**
60: ISO 10 series deep groove ball bearing
62: ISO 02 series deep groove ball bearing
- BORE DIAMETER**
00: 10mm
01: 12mm
02: 15mm
03: 17mm
04+: # x 5 = bore diameter in mm
- SEALS**
2RS: Contact seal with grooves
- CLEARANCE**
No Designation: Normal clearance
- GREASE**
No Designation: H1 food-grade grease
FG1: H1 food-grade solid lube

SUCP - Stainless Steel Pillow Block



Base Industry Part Number and Bore	
Bore	Base IPN
1/2"	SUCP201-08
5/8"	SUCP202-10
17 mm	SUCP203
20 mm	SUCP204
3/4"	SUCP204-12
25 mm	SUCP205
1"	SUCP205-16
30 mm	SUCP206
1-1/8"	SUCP206-18
1-3/16"	SUCP206-19
1-1/4"	SUCP206-20
35 mm	SUCP207
1-1/4"	SUCP207-20
1-3/8"	SUCP207-22
1-7/16"	SUCP207-23
40 mm	SUCP208
1-1/2"	SUCP208-24
45 mm	SUCP209
1-3/4"	SUCP209-28
50 mm	SUCP210
1-15/16"	SUCP210-31
2"	SUCP210-32
55 mm	SUCP211
2"	SUCP211-32
2-3/16"	SUCP211-35
60 mm	SUCP212
2-7/16"	SUCP212-39

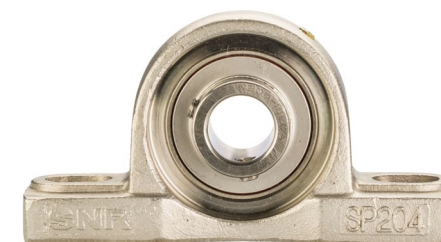
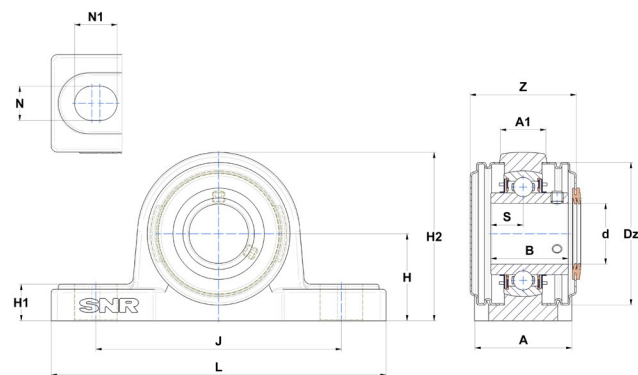


Series Interchanges					
NTN	DODGE	Regal	IPTCI	AMI	SKF/MRC
SUCP205-16	P2B-SCEZ-100-SHSS	SPS-S216	SUCSP205-16	MUCP205-16	SPB100SS

Interchanges are based upon a 1" bore

Base Industry Part Number Variations and Features											
IPN	Bearing Type	Bore	Insert Material	Housing Material	H1 Grease Type		IPN	Cap Capable (Y/N)	End Caps (Y/N)	# of End Caps	End Caps Description
SUCP205-16	Pillow Block Unit	1"	Stainless	Stainless	H1 Grease		SUCP205-16	Yes	N/A	N/A	N/A
SUCP205-16CC	Pillow Block Unit	1"	Stainless	Stainless	H1 Grease		SUCP205-16CC	Yes	Yes	2	1 open & 1 closed
SUCP205-16C0	Pillow Block Unit	1"	Stainless	Stainless	H1 Grease		SUCP205-16C0	Yes	Yes	2	2 open
SUCP205-16FG1	Pillow Block Unit	1"	Stainless	Stainless	H1 Solid Lube		SUCP205-16FG1	Yes	N/A	N/A	N/A
SUCP205-16CCFG1	Pillow Block Unit	1"	Stainless	Stainless	H1 Solid Lube		SUCP205-16CCFG1	Yes	Yes	2	1 open & 1 closed
SUCP205-16C0FG1	Pillow Block Unit	1"	Stainless	Stainless	H1 Solid Lube		SUCP205-16C0FG1	Yes	Yes	2	2 open

SUCP - Stainless Steel Pillow Block

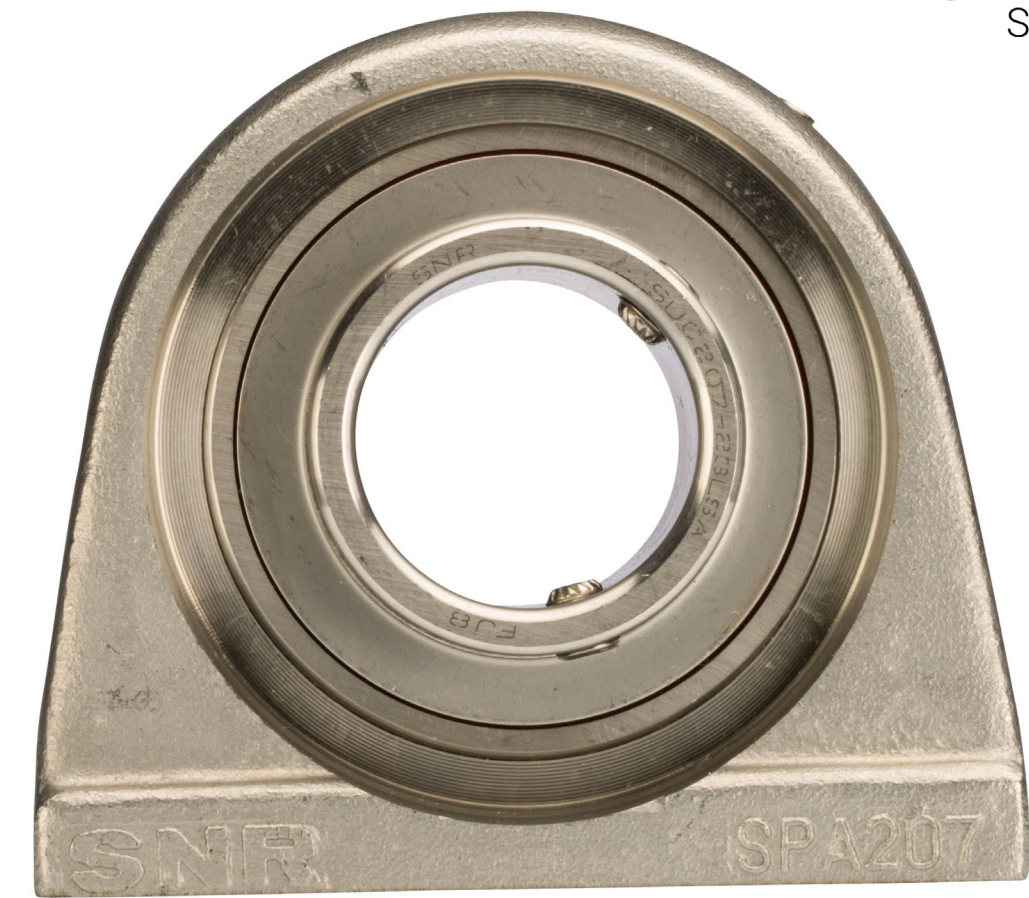


SENTINEL SERIES PILLOW BLOCK, STAINLESS STEEL									SENTINEL SERIES PILLOW BLOCK, STAINLESS STEEL (continued)										
Shaft Size d	Base Industry Part Number	Nominal Dimensions (mm/inch)							Nominal Dimensions (mm/inch)						Weight (kg/lbs)	Bolt Size (metric/inch)	Housing	Insert Part Number	
		L	J	B	H	H1	H2	S	A	A1	N	N1	Z	Dz					
1/2	SUCP201-08																		SUC201-08
5/8	SUCP202-10																		SUC202-10
17	SUCP203	126	95	31	33.3	15	65	12.7	38	21	13	19	44.5	54	0.82	M10	SP204N	SUC203	
20	SUCP204	4.96	3.74	1.22	1.31	0.59	2.56	0.50	1.50	0.83	0.51	0.75	1.75	2.13	1.81	3/8		SUC204	
3/4	SUCP204-12																		
25	SUCP205	140	105	34.1	36.5	16	70	14.3	38	23.5	13	19	47.3	60	0.97	M10	SP205N	SUC205	
1	SUCP205-16	5.51	4.13	1.34	1.44	0.63	2.76	0.56	1.50	0.93	0.51	0.75	1.86	2.36	2.14	3/8		SUC205-16	
30	SUCP206																		
1 1/8	SUCP206-18	165	121	38.1	42.9	18	83	15.9	48	22	17	21	52.3	70	1.61	M14	SP206N	SUC206	
1 3/16	SUCP206-19	6.50	4.76	1.50	1.69	0.71	3.27	0.63	1.89	0.87	0.67	0.83	2.06	2.76	3.55	1/2		SUC206-18	
1 1/4	SUCP206-20																		
35	SUCP207																		
1 1/4	SUCP207-20	167	127	42.9	47.6	19	94	17.5	48	27	17	21	58.9	80	1.98	M14	SP207N	SUC207	
1 3/8	SUCP207-22	6.57	5.00	1.69	1.87	0.75	3.70	0.69	1.89	1.06	0.67	0.83	2.32	3.15	4.37	1/2		SUC207-20	
1 7/16	SUCP207-23																		
40	SUCP208	184	136	49.2	49.2	19	100	19	54	27	17	23	69.3	88	2.48	M14	SP208N	SUC208	
1 1/2	SUCP208-24	7.24	5.35	1.94	1.94	0.75	3.94	0.75	2.13	1.06	0.67	0.91	2.73	3.46	5.47	1/2		SUC208-24	
45	SUCP209	190	146	49.2	54	20	109	19	54	28	17	23	69.8	95	2.86	M14	SP209N	SUC209	
1 3/4	SUCP209-28	7.48	5.75	1.94	2.13	0.79	4.29	0.75	2.13	1.10	0.67	0.91	2.75	3.74	6.31	1/2		SUC209-28	
50	SUCP210	206	159	51.6	57.2	22	114	19	60	30	20	25	76.1	100	3.49	M16	SP210N	SUC210	
1 15/16	SUCP210-31	8.11	6.26	2.03	2.25	0.87	4.49	0.75	2.36	1.18	0.79	0.98	3.00	3.94	7.69	5/8		SUC210-31	
2	SUCP210-32																		
55	SUCP211	219	171	55.6	63.5	23	126	22.2	60	33	20	25	77.7	110	4.31	M16	SP211N	SUC211	
2	SUCP211-32	8.62	6.73	2.19	2.50	0.91	4.96	0.87	2.36	1.30	0.79	0.98	3.06	4.33	9.50	5/8		SUC211-32	
2 3/16	SUCP211-35																		
60	SUCP212	241	184	65.1	69.8	25	138	25.4	70	35	20	25	91.3	120	5.89	M16	SP212N	SUC212	
2 7/16	SUCP212-39	9.49	7.24	2.56	2.75	0.98	5.43	1.00	2.76	1.38	0.79	0.98	3.59	4.72	12.99	5/8		SUC212-39	

SUCPA - Stainless Steel Tapped Base Pillow Block



Base Industry Part Number and Bore	
Bore	Base IPN
1/2"	SUCPA201-08
5/8"	SUCPA202-10
17 mm	SUCPA203
20 mm	SUCPA204
3/4"	SUCPA204-12
25 mm	SUCPA205
1"	SUCPA205-16
30 mm	SUCPA206
1-1/8"	SUCPA206-18
1-3/16"	SUCPA206-19
1-1/4"	SUCPA206-20
35 mm	SUCPA207
1-1/4"	SUCPA207-20
1-3/8"	SUCPA207-22
1-7/16"	SUCPA207-23
40 mm	SUCPA208
1-1/2"	SUCPA208-24
45 mm	SUCPA209
1-3/4"	SUCPA209-28
50 mm	SUCPA210
1-15/16"	SUCPA210-31
2"	SUCPA210-32

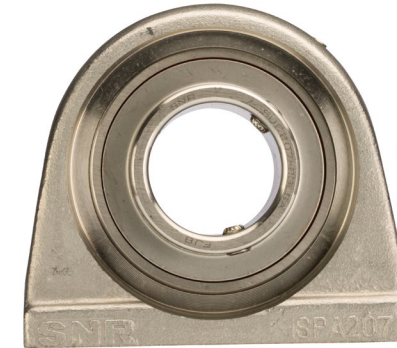
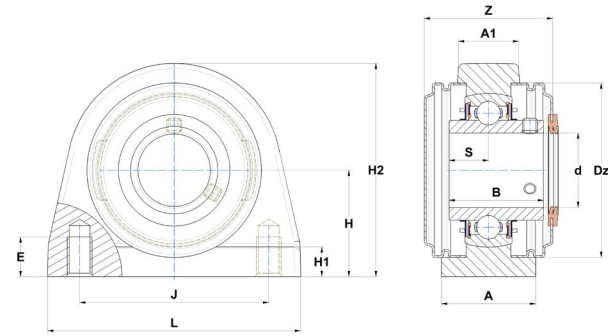


Series Interchanges					
NTN	DODGE	Regal	IPTCI	AMI	SKF/MRC
SUCPA205-16	TB-SCEZ-100-SHSS	STBS-S216	SUCSPA205-16	MUCTB205-16	STB100SS

Interchanges are based upon a 1" bore

Base Industry Part Number Variations and Features											
IPN	Bearing Type	Bore	Insert Material	Housing Material		IPN	H1 Grease Type	Cap Capable (Y/N)	End Caps (Y/N)	# of End Caps	End Caps Description
SUCPA205-16	Tapped Base Pillow Block Unit	1"	Stainless	Stainless		SUCPA205-16	H1 Grease	Yes	N/A	N/A	N/A
SUCPA205-16CC	Tapped Base Pillow Block Unit	1"	Stainless	Stainless		SUCPA205-16CC	H1 Grease	Yes	Yes	2	1 open & 1 closed
SUCPA205-16C0	Tapped Base Pillow Block Unit	1"	Stainless	Stainless		SUCPA205-16C0	H1 Grease	Yes	Yes	2	2 open
SUCPA205-16FG1	Tapped Base Pillow Block Unit	1"	Stainless	Stainless		SUCPA205-16FG1	H1 Solid Lube	Yes	N/A	N/A	N/A
SUCPA205-16CCFG1	Tapped Base Pillow Block Unit	1"	Stainless	Stainless		SUCPA205-16CCFG1	H1 Solid Lube	Yes	Yes	2	1 open & 1 closed
SUCPA205-16C0FG1	Tapped Base Pillow Block Unit	1"	Stainless	Stainless		SUCPA205-16C0FG1	H1 Solid Lube	Yes	Yes	2	2 open

SUCPA - Stainless Steel Tapped Base Pillow Block

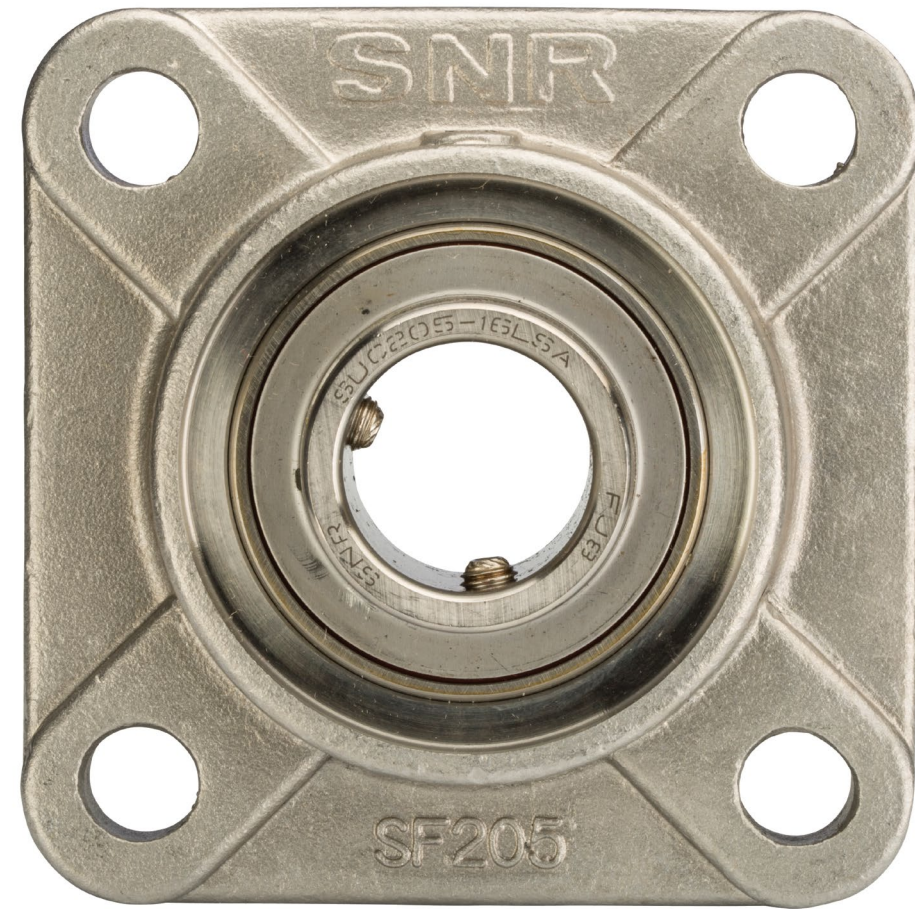


SENTINEL SERIES TAPPED BASE PILLOW BLOCK, STAINLESS STEEL									SENTINEL SERIES TAPPED BASE PILLOW BLOCK, STAINLESS STEEL (continued)							
Shaft Size d	Base Industry Part Number	Nominal Dimensions (mm/inch)							Nominal Dimensions (mm/inch)				Weight (kg/lbs)	Bolt Size (metric)	Housing	Insert Part Number
		L	J	B	H	H1	H2	S	A	A1	Z	Dz				
1/2 5/8 17 20 3/4	SUCPA201-08 SUCPA202-10 SUCPA203 SUCPA204 SUCPA204-12	73 2.87	50.8 2.00	31 1.22	33.3 1.31	11 0.43	65 2.56	12.7 0.50	38 1.50	23 0.91	45.6 1.80	54 2.13	0.72 1.59	M8	SPA204N	SUC201-08 SUC202-10 SUC203 SUC204 SUC204-12
25 1	SUCPA205 SUCPA205-16	76 2.99	50.8 2.00	34.1 1.34	36.5 1.44	12 0.47	71 2.80	14.3 0.56	38 1.50	24 0.94	46.3 1.82	60 2.36	0.77 1.70	M10	SPA205N	SUC205 SUC205-16
30 1 1/8 1 3/16 1 1/4	SUCPA206 SUCPA206-18 SUCPA206-19 SUCPA206-20	102 4.02	76.2 3.00	38.1 1.50	42.9 1.69	12 0.47	86 3.39	15.9 0.63	38 1.50	24 0.94	51.8 2.04	70 2.76	1.31 2.89	M10	SPA206N	SUC206 SUC206-18 SUC206-19 SUC206-20
35 1 1/4 1 3/8 1 7/16	SUCPA207 SUCPA207-20 SUCPA207-22 SUCPA207-23	108 4.25	82.6 3.25	42.9 1.69	47.6 1.87	12 0.47	95 3.74	17.5 0.69	48 1.89	24 0.94	57.4 2.26	80 3.15	1.78 3.92	M10	SPA207N	SUC207 SUC207-20 SUC207-22 SUC207-23
40 1 1/2	SUCPA208 SUCPA208-24	117 4.61	89 3.50	49.2 1.94	49.2 1.94	13 0.51	100 3.94	19 0.75	48 1.89	27 1.06	67.8 2.67	88 3.46	2.08 4.59	M12	SPA208N	SUC208 SUC208-24
45 1 3/4	SUCPA209 SUCPA209-28	127 5.00	95.3 3.75	49.2 1.94	54 2.13	13 0.51	108 4.25	19 0.75	51 2.01	28 1.10	68.3 2.69	95 3.74	2.46 5.42	M12	SPA209N	SUC209 SUC209-28
50 1 15/16 2	SUCPA210 SUCPA210-31 SUCPA210-32	140 5.51	101.6 4.00	51.6 2.03	57.2 2.25	13 0.51	117 4.61	19 0.75	51 2.01	27 1.06	74.6 2.94	100 3.94	2.89 6.37	M16	SPA210N	SUC210 SUC210-31 SUC210-32

SUCF - Stainless Steel Four-Bolt Flange



Base Industry Part Number and Bore	
Bore	Base IPN
1/2"	SUCF201-08
5/8"	SUCF202-10
17 mm	SUCF203
20 mm	SUCF204
3/4"	SUCF204-12
25 mm	SUCF205
1"	SUCF205-16
30 mm	SUCF206
1-1/8"	SUCF206-18
1-3/16"	SUCF206-19
1-1/4"	SUCF206-20
35 mm	SUCF207
1-1/4"	SUCF207-20
1-3/8"	SUCF207-22
1-7/16"	SUCF207-23
40 mm	SUCF208
1-1/2"	SUCF208-24
45 mm	SUCF209
1-3/4"	SUCF209-28
50 mm	SUCF210
1-15/16"	SUCF210-31
2"	SUCF210-32
55 mm	SUCF211
2"	SUCF211-32
2-3/16"	SUCF211-35
60 mm	SUCF212
2-7/16"	SUCF212-39

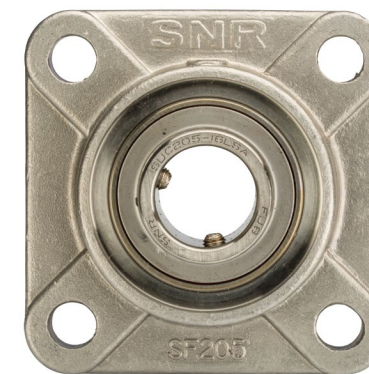
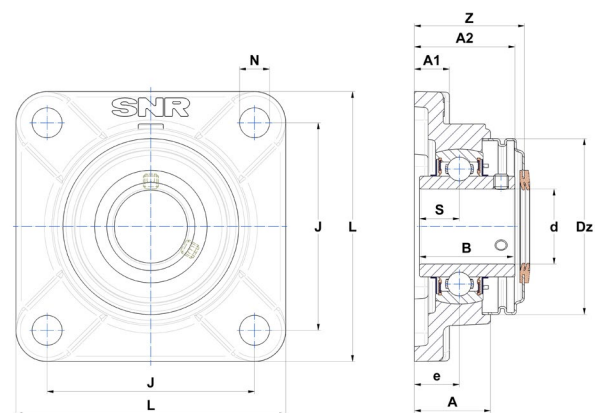


Series Interchanges					
NTN	DODGE	Regal	IPTCI	AMI	SKF/MRC
SUCF205-16	F4B-SCEZ-100-SHSS	SF4S-S216	SUCSF205-16	MUCF205-16	S24F100SS

Interchanges are based upon a 1" bore

Base Industry Part Number Variations and Features											
IPN	Bearing Type	Bore	Insert Material	Housing Material	H1 Grease Type		IPN	Cap Capable (Y/N)	End Caps (Y/N)	# of End Caps	End Caps Description
SUCF205-16	4-Bolt Flange Unit	1"	Stainless	Stainless	H1 Grease		SUCF205-16	Yes	N/A	N/A	N/A
SUCF205-16CC	4-Bolt Flange Unit	1"	Stainless	Stainless	H1 Grease		SUCF205-16CC	Yes	Yes	1	1 closed
SUCF205-16C0	4-Bolt Flange Unit	1"	Stainless	Stainless	H1 Grease		SUCF205-16C0	Yes	Yes	1	1 open
SUCF205-16FG1	4-Bolt Flange Unit	1"	Stainless	Stainless	H1 Solid Lube		SUCF205-16FG1	Yes	N/A	N/A	N/A
SUCF205-16CCFG1	4-Bolt Flange Unit	1"	Stainless	Stainless	H1 Solid Lube		SUCF205-16CCFG1	Yes	Yes	1	1 closed
SUCF205-16C0FG1	4-Bolt Flange Unit	1"	Stainless	Stainless	H1 Solid Lube		SUCF205-16C0FG1	Yes	Yes	1	1 open

SUCF - Stainless Steel Four-Bolt Flange

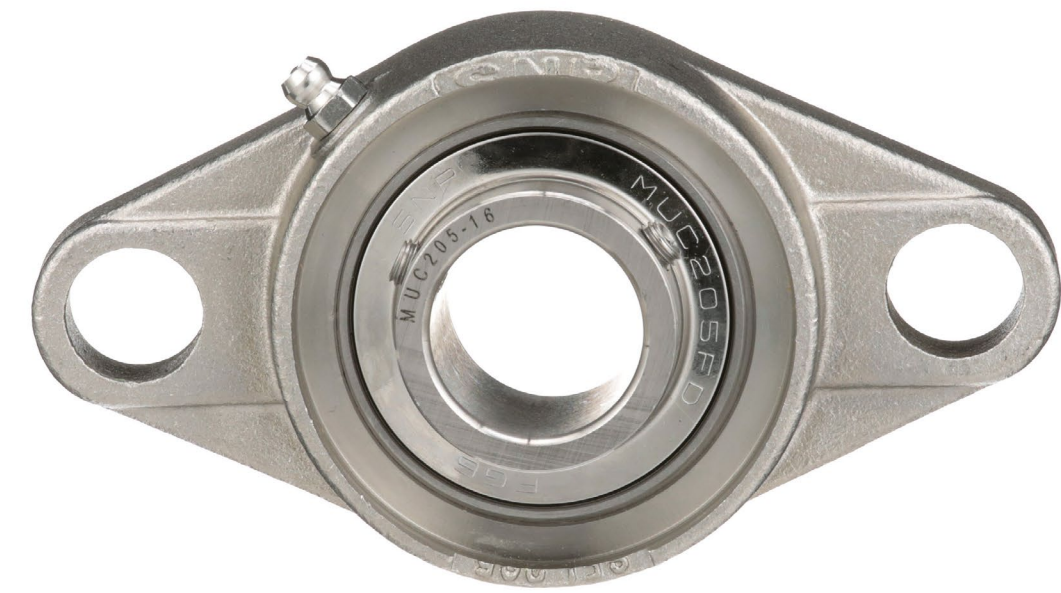


SENTINEL SERIES FOUR-BOLT FLANGE, STAINLESS STEEL									SENTINEL SERIES FOUR-BOLT FLANGE, STAINLESS STEEL (continued)								
Shaft Size d	Base Industry Part Number	Nominal Dimensions (mm/inch)							Nominal Dimensions (mm/inch)				Weight (kg/lbs)	Bolt Size (metric/inch)	Housing	Insert Part Number	
		L	J	B	e	S	A	A1	A2	N	Z	Dz					
1/2	SUCF201-08																SUC201-08
5/8	SUCF202-10	86	64	31	15	12.7	25.5	12		33.3	12	36.6	54	0.59	M10	SF204N	SUC202-10
17	SUCF203	3.39	2.52	1.22	0.59	0.50	1.00	0.47		1.31	0.47	1.44	2.13	1.30	3/8	SF204N	SUC203
20	SUCF204																SUC204
3/4	SUCF204-12																SUC204-12
25	SUCF205	95	70	34.1	16	14.3	27	14		35.8	12	39.2	60	0.84	M10	SF205N	SUC205
1	SUCF205-16	3.74	2.76	1.34	0.63	0.56	1.06	0.55		1.41	0.47	1.54	2.36	1.85	3/8	SF205N	SUC205-16
30	SUCF206																SUC206
1 1/8	SUCF206-18	108	83	38.1	18	15.9	30.5	14		40.2	12	44	70	1.17	M10	SF206N	SUC206-18
1 3/16	SUCF206-19	4.25	3.27	1.50	0.71	0.63	1.20	0.55		1.58	0.47	1.73	2.76	2.58	3/8	SF206N	SUC206-19
1 1/4	SUCF206-20																SUC206-20
35	SUCF207																SUC207
1 1/4	SUCF207-20	116	92	42.9	19	17.5	33.5	14.5		44.4	14	47.5	80	1.43	M12	SF207N	SUC207-20
1 3/8	SUCF207-22	4.57	3.62	1.69	0.75	0.69	1.32	0.57		1.75	0.55	1.87	3.15	3.15	1/2	SF207N	SUC207-22
1 7/16	SUCF207-23																SUC207-23
40	SUCF208	130	102	49.2	21	19	36	14.5		51.2	16	54.7	88	1.91	M14	SF208N	SUC208
1 1/2	SUCF208-24	5.12	4.02	1.94	0.83	0.75	1.42	0.57		2.02	0.63	2.15	3.46	4.21	1/2	SF208N	SUC208-24
45	SUCF209	137	105	49.2	22	19	38	15.5		52.2	16	56	95	2.38	M14	SF209N	SUC209
1 3/4	SUCF209-28	5.39	4.13	1.94	0.87	0.75	1.50	0.61		2.06	0.63	2.20	3.74	5.25	1/2	SF209N	SUC209-28
50	SUCF210	143	111	51.6	22	19	40	15		54.6	16	59.1	100	2.69	M14	SF210N	SUC210
1 15/16	SUCF210-31	5.63	4.37	2.03	0.87	0.75	1.57	0.59		2.15	0.63	2.33	3.94	5.93	1/2	SF210N	SUC210-31
2	SUCF210-32																SUC210-32
55	SUCF211	162	130	55.6	25	22.2	44	20		58.4	19	61.9	110	4.1	M16	SF211N	SUC211
2	SUCF211-32	6.38	5.12	2.19	0.98	0.87	1.73	0.79		2.30	0.75	2.44	4.33	9.04	5/8	SF211N	SUC211-32
2 3/16	SUCF211-35																SUC211-35
60	SUCF212	175	143	65.1	29	25.4	48	20		68.7	19	72.1	120	5.65	M16	SF212N	SUC212
2 7/16	SUCF212-39	6.89	5.63	2.56	1.14	1.00	1.89	0.79		2.70	0.75	2.84	4.72	12.46	5/8	SF212N	SUC212-39

SUCFL - Stainless Steel Two-Bolt Flange



Base Industry Part Number and Bore	
Bore	Base IPN
1/2"	SUCFL201-08
5/8"	SUCFL202-10
17 mm	SUCFL203
20 mm	SUCFL204
3/4"	SUCFL204-12
25 mm	SUCFL205
1"	SUCFL205-16
30 mm	SUCFL206
1-1/8"	SUCFL206-18
1-3/16"	SUCFL206-19
1-1/4"	SUCFL206-20
35 mm	SUCFL207
1-1/4"	SUCFL207-20
1-3/8"	SUCFL207-22
1-7/16"	SUCFL207-23
40 mm	SUCFL208
1-1/2"	SUCFL208-24
45 mm	SUCFL209
1-3/4"	SUCFL209-28
50 mm	SUCFL210
1-15/16"	SUCFL210-31
2"	SUCFL210-32

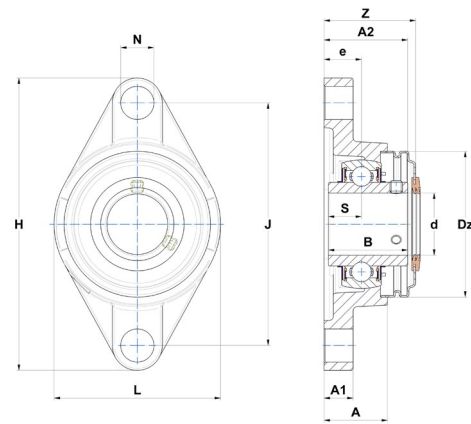


Series Interchanges					
NTN	DODGE	Regal	IPTCI	AMI	SKF/MRC
SUCFL205-16	F2B-SCEZ-100-SHSS	SF2S-S216	SUCSFL205-16	MUCFT205-16	S2F100SS

Interchanges are based upon a 1" bore

Base Industry Part Number Variations and Features											
IPN	Bearing Type	Bore	Insert Material	Housing Material	H1 Grease Type		IPN	Cap Capable (Y/N)	End Caps (Y/N)	# of End Caps	End Caps Description
SUCFL205-16	2-Bolt Flange Unit	1"	Stainless	Stainless	H1 Grease		SUCFL205-16	Yes	N/A	N/A	N/A
SUCFL205-16CC	2-Bolt Flange Unit	1"	Stainless	Stainless	H1 Grease		SUCFL205-16CC	Yes	Yes	1	1 closed
SUCFL205-16C0	2-Bolt Flange Unit	1"	Stainless	Stainless	H1 Grease		SUCFL205-16C0	Yes	Yes	1	1 open
SUCFL205-16FG1	2-Bolt Flange Unit	1"	Stainless	Stainless	H1 Solid Lube		SUCFL205-16FG1	Yes	N/A	N/A	N/A
SUCFL205-16CCFG1	2-Bolt Flange Unit	1"	Stainless	Stainless	H1 Solid Lube		SUCFL205-16CCFG1	Yes	Yes	1	1 closed
SUCFL205-16C0FG1	2-Bolt Flange Unit	1"	Stainless	Stainless	H1 Solid Lube		SUCFL205-16C0FG1	Yes	Yes	1	1 open

SUCFL - Stainless Steel Two-Bolt Flange



SENTINEL SERIES TWO-BOLT FLANGE, STAINLESS STEEL									SENTINEL SERIES TWO-BOLT FLANGE, STAINLESS STEEL (continued)									
Shaft Size d	Base Industry Part Number	Nominal Dimensions (mm/inch)							A	Nominal Dimensions (mm/inch)					Weight (kg/lbs)	Bolt Size (metric/inch)	Housing	Insert Part Number
		L	J	H	B	e	S	A1		A2	N	Z	Dz					
1/2	SUCFL201-08																	SUC201-08
5/8	SUCFL202-10	59	90	112	31	15	12.7	25.5	12	33.3	12	36.6	54	0.49	M10	SFL204N	SUC202-10	
17	SUCFL203	2.30	3.54	4.41	1.22	0.59	0.50	1.00	0.47	1.31	0.47	1.44	2.13	1.08	3/8	SFL204N	SUC203	
20	SUCFL204																	SUC204
3/4	SUCFL204-12																	SUC204-12
25	SUCFL205	68	99	125	34.1	16	14.3	27	13	35.8	13.5	38.9	60	0.64	M14	SFL205N	SUC205	
1	SUCFL205-16	2.68	3.90	4.92	1.34	0.63	0.56	1.06	0.51	1.41	0.53	1.53	2.36	1.41	1/2	SFL205N	SUC205-16	
30	SUCFL206																	SUC206
1 1/8	SUCFL206-18	80	117	141	38.1	18	15.9	31	13	40.2	13.5	43.9	70	0.87	M14	SFL206N	SUC206-18	
1 3/16	SUCFL206-19	3.15	4.61	5.55	1.50	0.71	0.63	1.22	0.51	1.58	0.53	1.73	2.76	1.92	1/2	SFL206N	SUC206-19	
1 1/4	SUCFL206-20																	SUC206-20
35	SUCFL207																	SUC207
1 1/4	SUCFL207-20	90	130	156	42.9	19	17.5	33	15	44.4	16	47.7	80	1.23	M14	SFL207N	SUC207-20	
1 3/8	SUCFL207-22	3.54	5.12	6.14	1.69	0.75	0.69	1.30	0.59	1.75	0.63	1.88	3.15	2.71	1/2	SFL207N	SUC207-22	
1 7/16	SUCFL207-23																	SUC207-23
40	SUCFL208	100	144	172	49.2	21	19	36	15	51.2	16	54.4	88	1.61	M14	SFL208N	SUC208	
1 1/2	SUCFL208-24	3.94	5.67	6.77	1.94	0.83	0.75	1.42	0.59	2.02	0.63	2.14	3.46	3.55	1/2	SFL208N	SUC208-24	
45	SUCFL209	108	148	180	49.2	22	19	38	15	52.2	17.5	55.9	95	1.88	M16	SFL209N	SUC209	
1 3/4	SUCFL209-28	4.25	5.83	7.09	1.94	0.87	0.75	1.50	0.59	2.06	0.69	2.20	3.74	4.14	5/8	SFL209N	SUC209-28	
50	SUCFL210																	SUC210
1 15/16	SUCFL210-31	115	157	190	51.6	22	19	39	16	54.6	17.5	59.3	100	2.29	M16	SFL210N	SUC210-31	
2	SUCFL210-32	4.53	6.18	7.48	2.03	0.87	0.75	1.54	0.63	2.15	0.69	2.33	3.94	5.05	5/8	SFL210N	SUC210-32	

SUCFB - Stainless Steel Three-Bolt Flange



Base Industry Part Number and Bore	
Bore	Base IPN
1/2"	SUCFB201-08
5/8"	SUCFB202-10
17 mm	SUCFB203
20 mm	SUCFB204
3/4"	SUCFB204-12
25 mm	SUCFB205
1"	SUCFB205-16
30 mm	SUCFB206
1-1/8"	SUCFB206-18
1-3/16"	SUCFB206-19
1-1/4"	SUCFB206-20
35 mm	SUCFB207
1-1/4"	SUCFB207-20
1-3/8"	SUCFB207-22
1-7/16"	SUCFB207-23
40 mm	SUCFB208
1-1/2"	SUCFB208-24
50 mm	SUCFB210
1-15/16"	SUCFB210-31
2"	SUCFB210-32

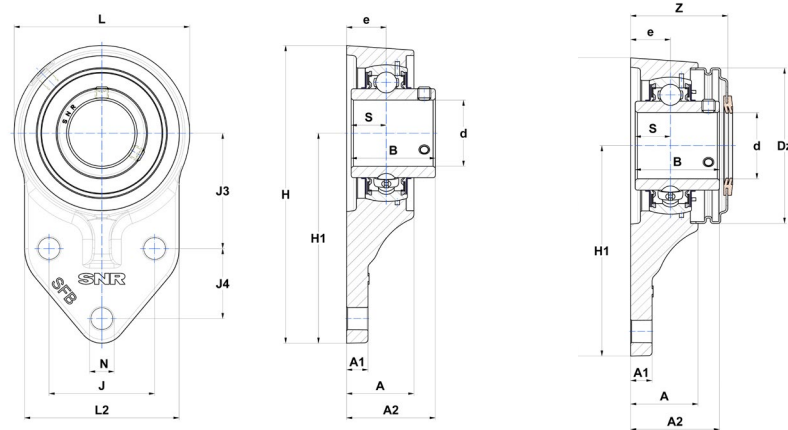


Series Interchanges			
NTN	DODGE	IPTCI	AMI
SUCFB205-16	FB-SCEZ-100-SHSS	SUCSFB205-16	MUCFB205-16

Interchanges are based upon a 1" bore

Base Industry Part Number Variations and Features											
IPN	Bearing Type	Bore	Insert Material	Housing Material	H1 Grease Type		IPN	Cap Capable (Y/N)	End Caps (Y/N)	# of End Caps	End Caps Description
SUCFB205-16	3-Bolt Flange Unit	1"	Stainless	Stainless	H1 Grease		SUCFB205-16	Yes	N/A	N/A	N/A
SUCFB205-16CC	3-Bolt Flange Unit	1"	Stainless	Stainless	H1 Grease		SUCFB205-16CC	Yes	Yes	1	1 closed
SUCFB205-16C0	3-Bolt Flange Unit	1"	Stainless	Stainless	H1 Grease		SUCFB205-16C0	Yes	Yes	1	1 open
SUCFB205-16FG1	3-Bolt Flange Unit	1"	Stainless	Stainless	H1 Solid Lube		SUCFB205-16FG1	Yes	N/A	N/A	N/A
SUCFB205-16CCFG1	3-Bolt Flange Unit	1"	Stainless	Stainless	H1 Solid Lube		SUCFB205-16CCFG1	Yes	Yes	1	1 closed
SUCFB205-16C0FG1	3-Bolt Flange Unit	1"	Stainless	Stainless	H1 Solid Lube		SUCFB205-16C0FG1	Yes	Yes	1	1 open

SUCFB - Stainless Steel Three-Bolt Flange



SENTINEL SERIES THREE-BOLT FLANGE, STAINLESS STEEL											SENTINEL SERIES THREE-BOLT FLANGE, STAINLESS STEEL (continued)														
Shaft Size d	Base Industry Part Number	Nominal Dimensions (mm/inch)									Nominal Dimensions (mm/inch)									Weight (kg/lbs)	Bolt Size (metric)	Housing	Insert Part Number		
		L	L2	J	J3	J4	H	H1	B	e	S	A	A1	A2	N	Z	Dz								
1/2	SUCFB201-08																								SUC201-08
5/8	SUCFB202-10	60.5	60.2	38.1	42.9	22.4	106.4	76.2	31	15.0	12.7	25.5	7.9	33.3	10.0	36.9	54	0.55	M8	SFB204N	SUC202-10				
17	SUCFB203	2.38	2.37	1.50	1.69	0.88	4.19	3.00	1.22	0.59	0.50	1.00	0.31	1.31	0.39	1.45	2.13	1.21				SUC203			
20	SUCFB204																						SUC204		
3/4	SUCFB204-12																						SUC204-12		
25	SUCFB205	67	63.5	41.4	46	28.7	119.0	85.5	34.1	16.0	14.3	27.0	9.7	35.8	10.0	39.1	60	0.64	M8	SFB205N	SUC205				
1	SUCFB205-16	2.64	2.50	1.63	1.81	1.13	4.69	3.37	1.34	0.63	0.56	1.06	0.38	1.41	0.39	1.54	2.36	1.41				SUC205-16			
30	SUCFB206																						SUC206		
1 1/8	SUCFB206-18	79	70	47.8	52.3	31.8	135.0	92.3	38.1	18.0	15.9	30.5	9.7	40.2	10.0	43.9	70.0	0.93	M8	SFB206N	SUC206-18				
1 3/16	SUCFB206-19	3.13	2.76	1.88	2.06	1.25	5.31	3.75	1.50	0.71	0.63	1.20	0.38	1.58	0.39	1.73	2.76	2.05				SUC206-19			
1 1/4	SUCFB206-20																						SUC206-20		
35	SUCFB207																						SUC207		
1 1/4	SUCFB207-20	90	83	50.8	60.5	31.8	152.2	107.2	42.9	19.0	17.5	33.0	12.7	44.4	13.5	47.7	80	1.38	M12	SFB207N	SUC207-20				
1 3/8	SUCFB207-22	3.54	3.27	2.00	2.38	1.25	5.99	4.22	1.69	0.75	0.69	1.30	0.50	1.75	0.53	1.88	3.15	3.04				SUC207-22			
1 7/16	SUCFB207-23																						SUC207-23		
40	SUCFB208	100	78	50.0	60.3	41.3	164.0	114.0	49.2	21.0	19.0	36	12.7	51.2	13.5	55.4	88	1.70	M12	SFB208N	SUC208				
1 1/2	SUCFB208-24	3.94	3.07	1.97	2.37	1.62	6.46	4.49	1.94	0.83	0.75	1.42	0.50	2.02	0.53	2.18	3.46	3.75				SUC208-24			
50	SUCFB210																						SUC210		
1 15/16	SUCFB210-31	109.5	101.5	69.9	74.7	41.4	186.5	131.8	51.6	22.0	19.0	39.0	12.7	54.6	13.5	59.8	100	2.26	M12	SFB210N	SUC210-31				
2	SUCFB210-32	4.31	4.00	2.75	2.94	1.63	7.34	5.19	2.03	0.87	0.75	1.54	0.50	2.15	0.53	2.34	3.94	4.98				SUC210-32			

SUCT - Stainless Steel Take-Up Unit



Base Industry Part Number and Bore	
Bore	Base IPN
1/2"	SUCT201-08
5/8"	SUCT202-10
17 mm	SUCT203
20 mm	SUCT204
3/4"	SUCT204-12
25 mm	SUCT205
1"	SUCT205-16
30 mm	SUCT206
1-1/8"	SUCT206-18
1-3/16"	SUCT206-19
1-1/4"	SUCT206-20
35 mm	SUCT207
1-1/4"	SUCT207-20
1-3/8"	SUCT207-22
1-7/16"	SUCT207-23
40 mm	SUCT208
1-1/2"	SUCT208-24
45 mm	SUCT209
1-3/4"	SUCT209-28
50 mm	SUCT210
1-15/16"	SUCT210-31
2"	SUCT210-32

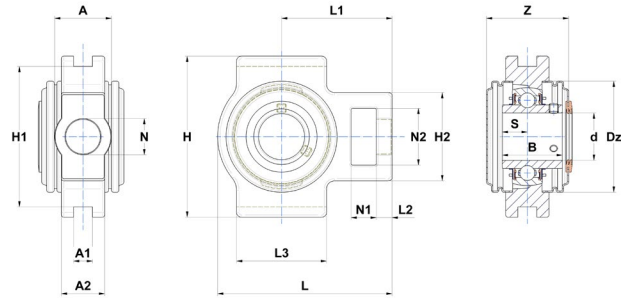


Series Interchanges				
NTN	DODGE	IPTCI	AMI	SKF/MRC
SUCT205-16	WSTU-SCEZ-100-SHSS	SUCST205-16	MUCST205-16	CTW100SS

Interchanges are based upon a 1" bore

Base Industry Part Number Variations and Features											
IPN	Bearing Type	Bore	Insert Material	Housing Material	H1 Grease Type		IPN	Cap Capable (Y/N)	End Caps (Y/N)	# of End Caps	End Caps Description
SUCT205-16	Take-Up Unit	1"	Stainless	Stainless	H1 Grease		SUCT205-16	Yes	N/A	N/A	N/A
SUCT205-16CC	Take-Up Unit	1"	Stainless	Stainless	H1 Grease		SUCT205-16CC	Yes	Yes	2	1 open & 1 closed
SUCT205-16C0	Take-Up Unit	1"	Stainless	Stainless	H1 Grease		SUCT205-16C0	Yes	Yes	2	2 open
SUCT205-16FG1	Take-Up Unit	1"	Stainless	Stainless	H1 Solid Lube		SUCT205-16FG1	Yes	N/A	N/A	N/A
SUCT205-16CCFG1	Take-Up Unit	1"	Stainless	Stainless	H1 Solid Lube		SUCT205-16CCFG1	Yes	Yes	2	1 open & 1 closed
SUCT205-16C0FG1	Take-Up Unit	1"	Stainless	Stainless	H1 Solid Lube		SUCT205-16C0FG1	Yes	Yes	2	2 open

SUCT - Stainless Steel Take-Up Unit



SENTINEL SERIES TAKE-UP, STAINLESS STEEL											SENTINEL SERIES TAKE-UP, STAINLESS STEEL (continued)											
Shaft Size d	Base Industry Part Number	Nominal Dimensions (mm/inch)									Nominal Dimensions (mm/inch)									Weight (kg/lbs)	Housing	Insert Part Number
		L	H	H1	H2	B	S	A	A1	A2	L1	L2	L3	N	N1	N2	Z	Dz				
1/2 5/8 17 20 3/4	SUCT201-08 SUCT202-10 SUCT203 SUCT204 SUCT204-12	94 3.70	89 3.50	76 2.99	51 2.01	31 1.22	12.7 0.50	32 1.26	12 0.47	21 0.83	61 2.40	10 0.39	51 2.01	19 0.75	16 0.63	32 1.26	44.6 1.76	54 2.13	0.82 1.81	ST204N	SUC201-08 SUC202-10 SUC203 SUC204 SUC204-12	
25 1	SUCT205 SUCT205-16	95 3.74	89 3.50	76 2.99	51 2.01	34.1 1.34	14.3 0.56	32 1.26	12 0.47	24 0.94	60.5 2.38	8 0.31	51 2.01	19 0.75	16 0.63	32 1.26	47.3 1.86	60 2.36	0.96 2.12	ST205N	SUC205 SUC205-16	
30 1 1/8 1 3/16 1 1/4	SUCT206 SUCT206-18 SUCT206-19 SUCT206-20	113 4.45	102 4.02	89 3.50	56 2.20	38.1 1.50	15.9 0.63	37 1.46	12 0.47	28 1.10	70 2.76	10 0.39	57 2.24	22 0.87	16 0.63	37 1.46	52.3 2.06	70 2.76	1.4 3.09	ST206N	SUC206 SUC206-18 SUC206-19 SUC206-20	
35 1 1/4 1 3/8 1 7/16	SUCT207 SUCT207-20 SUCT207-22 SUCT207-23	129 5.08	102 4.02	89 3.50	64 2.52	42.9 1.69	17.5 0.69	37 1.46	12 0.47	30 1.18	78 3.07	13 0.51	64 2.52	22 0.87	16 0.63	37 1.46	58.9 2.32	80 3.15	1.77 3.90	ST207N	SUC207 SUC207-20 SUC207-22 SUC207-23	
40 1 1/2	SUCT208 SUCT208-24	144 5.67	114 4.49	102 4.02	83 3.27	49.2 1.94	19 0.75	49 1.93	16 0.63	33 1.30	88 3.46	16 0.63	83 3.27	29 1.14	19 0.75	49 1.93	69.3 2.73	88 3.46	2.67 5.89	ST208N	SUC208 SUC208-24	
45 1 3/4	SUCT209 SUCT209-28	144 5.67	117 4.61	102 4.02	83 3.27	49.2 1.94	19 0.75	49 1.93	16 0.63	35 1.38	87 3.43	16 0.63	83 3.27	29 1.14	19 0.75	49 1.93	69.8 2.75	95 3.74	2.65 5.84	ST209N	SUC209 SUC209-28	
50 1 15/16 2	SUCT210 SUCT210-31 SUCT210-32	149 5.87	117 4.61	102 4.02	83 3.27	51.6 2.03	19 0.75	49 1.93	16 0.63	37 1.46	90 3.54	16 0.63	86 3.39	29 1.14	19 0.75	49 1.93	76.1 3.00	100 3.94	2.77 6.11	ST210N	SUC210 SUC210-31 SUC210-32	

SUCPPL - Thermoplastic Pillow Block



Base Industry Part Number and Bore	
Bore	Base IPN
1/2"	SUCPPL201-08
5/8"	SUCPPL202-10
17 mm	SUCPPL203
20 mm	SUCPPL204
3/4"	SUCPPL204-12
25 mm	SUCPPL205
1"	SUCPPL205-16
30 mm	SUCPPL206
1-1/8"	SUCPPL206-18
1-3/16"	SUCPPL206-19
1-1/4"	SUCPPL206-20
35 mm	SUCPPL207
1-1/4"	SUCPPL207-20
1-3/8"	SUCPPL207-22
1-7/16"	SUCPPL207-23
40 mm	SUCPPL208
1-1/2"	SUCPPL208-24

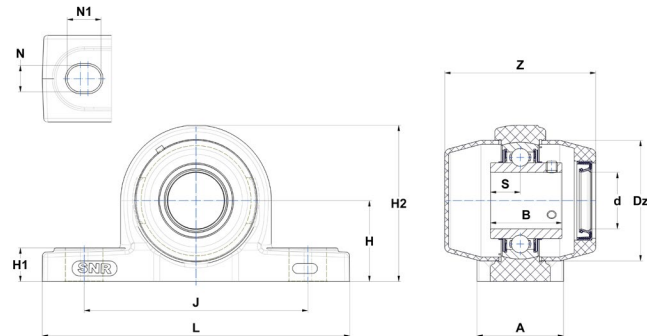


Series Interchanges					
NTN	DODGE	Regal	IPTCI	AMI	SKF/MRC
SUCPPL205-16	P2B-SCEZ-100-PSS	CPS-S216	SUCTP205-16	MUCPPL205-16	CPB100SSG

Interchanges are based upon a 1" bore

Base Industry Part Number Variations and Features											
IPN	Bearing Type	Bore	Insert Material	Housing Material	H1 Grease Type		IPN	Cap Capable (Y/N)	End Caps (Y/N)	# of End Caps	End Caps Description
SUCPPL205-16	Pillow Block Unit	1"	Stainless	Thermoplastic	H1 Grease		SUCPPL205-16	Yes	N/A	N/A	N/A
SUCPPL205-16CC	Pillow Block Unit	1"	Stainless	Thermoplastic	H1 Grease		SUCPPL205-16CC	Yes	Yes	2	1 open & 1 closed
SUCPPL205-16C0	Pillow Block Unit	1"	Stainless	Thermoplastic	H1 Grease		SUCPPL205-16C0	Yes	Yes	2	2 open
SUCPPL205-16FG1	Pillow Block Unit	1"	Stainless	Thermoplastic	H1 Solid Lube		SUCPPL205-16FG1	Yes	N/A	N/A	N/A
SUCPPL205-16CCFG1	Pillow Block Unit	1"	Stainless	Thermoplastic	H1 Solid Lube		SUCPPL205-16CCFG1	Yes	Yes	2	1 open & 1 closed
SUCPPL205-16C0FG1	Pillow Block Unit	1"	Stainless	Thermoplastic	H1 Solid Lube		SUCPPL205-16C0FG1	Yes	Yes	2	2 open

SUCPPL - Thermoplastic Pillow Block



SENTINEL SERIES PILLOW BLOCK, THERMOPLASTIC									SENTINEL SERIES PILLOW BLOCK, THERMOPLASTIC (continued)								
Shaft Size d	Base Industry Part Number	Nominal Dimensions (mm/inch)							Nominal Dimensions (mm/inch)					Weight (kg/lbs)	Bolt Size (metric/inch)	Housing	Insert Part Number
		L	J	B	H	H1	H2	S	A	N	N1	Z	Dz				
1/2 5/8 17 20 3/4	SUCPPL201-08 SUCPPL202-10 SUCPPL203 SUCPPL204 SUCPPL204-12	127 5.00	95 3.74	31 1.22	33.3 1.31	14.2 0.56	65 2.56	12.7 0.50	38 1.50	11 0.43	14 0.55	63.3 2.49	50.1 1.97	0.32 0.71	M10 3/8	WPPL204	SUC201-08 SUC202-10 SUC203 SUC204 SUC204-12
25 1	SUCPPL205 SUCPPL205-16	140 5.51	105 4.13	34.1 1.34	36.5 1.44	14.5 0.57	71 2.80	14.3 0.56	38 1.50	11 0.43	14 0.55	68.1 2.68	55 2.17	0.38 0.84	M10 3/8	WPPL205	SUC205 SUC205-16
30 1 1/8 1 3/16 1 1/4	SUCPPL206 SUCPPL206-18 SUCPPL206-19 SUCPPL206-20	162 6.38	119 4.69	38.1 1.50	42.9 1.69	17.8 0.70	83 3.27	15.9 0.63	46 1.81	14 0.55	18 0.71	80.4 3.17	64 2.52	0.59 1.30	M12 1/2	WPPL206	SUC206 SUC206-18 SUC206-19 SUC206-20
35 1 1/4 1 3/8 1 7/16	SUCPPL207 SUCPPL207-20 SUCPPL207-22 SUCPPL207-23	167 6.57	127 5.00	42.9 1.69	47.6 1.87	18 0.71	94 3.70	17.5 0.69	48 1.89	14 0.55	18 0.71	89.7 3.53	74.6 2.94	0.85 1.87	M12 1/2	WPPL207	SUC207 SUC207-20 SUC207-22 SUC207-23
40 1 1/2	SUCPPL208 SUCPPL208-24	184 7.24	137 5.39	49.2 1.94	49.2 1.94	19.5 0.77	98 3.86	19 0.75	54 2.13	14 0.55	18 0.71	103 4.06	84 3.31	1.05 2.31	M12 1/2	WPPL208	SUC208 SUC208-24

SUCTBL - Thermoplastic Tapped Base Pillow Block



Base Industry Part Number and Bore	
Bore	Base IPN
1/2"	SUCTBL201-08
5/8"	SUCTBL202-10
17 mm	SUCTBL203
20 mm	SUCTBL204
3/4"	SUCTBL204-12
25 mm	SUCTBL205
1"	SUCTBL205-16
30 mm	SUCTBL206
1-1/8"	SUCTBL206-18
1-3/16"	SUCTBL206-19
1-1/4"	SUCTBL206-20
35 mm	SUCTBL207
1-1/4"	SUCTBL207-20
1-3/8"	SUCTBL207-22
1-7/16"	SUCTBL207-23
40 mm	SUCTBL208
1-1/2"	SUCTBL208-24

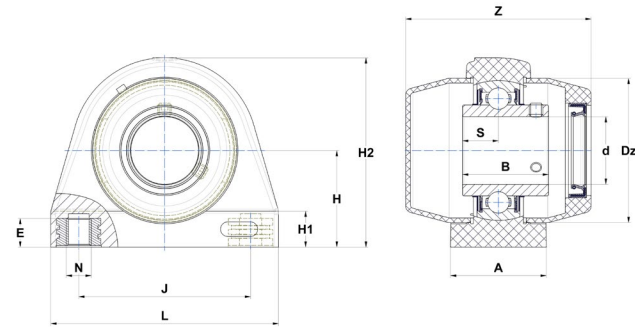


Series Interchanges					
NTN	DODGE	Regal	IPTCI	AMI	SKF/MRC
SUCTBL205-16	TB-SCEZ-100-PSS	CTBS-S216	SUCTPA205-16	MUCTBL205-16	CTB100SSG

Interchanges are based upon a 1" bore

Base Industry Part Number Variations and Features											
IPN	Bearing Type	Bore	Insert Material	Housing Material		IPN	H1 Grease Type	Cap Capable (Y/N)	End Caps (Y/N)	# of End Caps	End Caps Description
SUCTBL205-16	Tapped Base Pillow Block Unit	1"	Stainless	Thermoplastic		SUCTBL205-16	H1 Grease	Yes	N/A	N/A	N/A
SUCTBL205-16CC	Tapped Base Pillow Block Unit	1"	Stainless	Thermoplastic		SUCTBL205-16CC	H1 Grease	Yes	Yes	2	1 open & 1 closed
SUCTBL205-16C0	Tapped Base Pillow Block Unit	1"	Stainless	Thermoplastic		SUCTBL205-16C0	H1 Grease	Yes	Yes	2	2 open
SUCTBL205-16FG1	Tapped Base Pillow Block Unit	1"	Stainless	Thermoplastic		SUCTBL205-16FG1	H1 Solid Lube	Yes	N/A	N/A	N/A
SUCTBL205-16CCFG1	Tapped Base Pillow Block Unit	1"	Stainless	Thermoplastic		SUCTBL205-16CCFG1	H1 Solid Lube	Yes	Yes	2	1 open & 1 closed
SUCTBL205-16C0FG1	Tapped Base Pillow Block Unit	1"	Stainless	Thermoplastic		SUCTBL205-16C0FG1	H1 Solid Lube	Yes	Yes	2	2 open

SUCTBL - Thermoplastic Tapped Base Pillow Block



SENTINEL SERIES TAPPED BASE PILLOW BLOCK, THERMOPLASTIC									SENTINEL SERIES TAPPED BASE PILLOW BLOCK, THERMOPLASTIC (continued)									
Shaft Size d	Base Industry Part Number	Nominal Dimensions (mm/inch)								Nominal Dimensions (mm/inch)					Weight (kg/lbs)	Bolt Size (metric/inch)	Housing	Insert Part Number
		L	J	B	H	H1	H2	S		A	A1	E	Z	Dz				
1/2	SUCTBL201-08																	
5/8	SUCTBL202-10	72.8	50.8	31	33.3	13	66	12.7		34.5	23.8	12	64.4	50.1	0.27	3/8-16 UNC-2B	WTBL1204	SUC201-08
17	SUCTBL203	2.87	2.00	1.22	1.31	0.51	2.60	0.50	1.36	0.94	0.47	2.54	1.97	0.60	SUC202-10			
20	SUCTBL204														SUC203			
3/4	SUCTBL204-12														SUC204			
25	SUCTBL205	76.2	50.8	34.1	36.5	14	73.5	14.3		39.5	25.4	12	69.4	55	0.35	3/8-16 UNC-2B	WTBL1205	SUC204-12
1	SUCTBL205-16	3.00	2.00	1.34	1.44	0.55	2.89	0.56	1.56	1.00	0.47	2.73	2.17	0.77	SUC205			
30	SUCTBL206																	SUC205-16
1 1/8	SUCTBL206-18	101	76.2	38.1	42.9	16	84	15.9		42.5	28	12	81.6	64	0.55	7/16-14 UNC-2B	WTBL1206	SUC206
1 3/16	SUCTBL206-19	3.98	3.00	1.50	1.69	0.63	3.31	0.63	1.67	1.10	0.47	3.21	2.52	1.21	SUC206-18			
1 1/4	SUCTBL206-20														SUC206-19			
															SUC206-20			
35	SUCTBL207																	SUC207
1 1/4	SUCTBL207-20	110	82.6	42.9	47.6	18.5	95	17.5		47.5	32.5	15.5	89.3	74.6	0.8	1/2-13 UNC -2B	WTBL1207	SUC207-20
1 3/8	SUCTBL207-22	4.33	3.25	1.69	1.87	0.73	3.74	0.69	1.87	1.28	0.61	3.52	2.94	1.76	SUC207-22			
1 7/16	SUCTBL207-23														SUC207-23			
40	SUCTBL208	120	88.9	49.2	49.2	22.5	110.5	19		48	35	16	102.6	84	0.98	1/2-13 UNC -2B	WTBL1208	SUC208
1 1/2	SUCTBL208-24	4.72	3.50	1.94	1.94	0.89	4.35	0.75	1.89	1.38	0.63	4.04	3.31	2.16	SUC208-24			

SUCFPL - Thermoplastic Four-Bolt Flange



Base Industry Part Number and Bore	
Bore	Base IPN
1/2"	SUCFPL201-08
5/8"	SUCFPL202-10
17 mm	SUCFPL203
20 mm	SUCFPL204
3/4"	SUCFPL204-12
25 mm	SUCFPL205
1"	SUCFPL205-16
30 mm	SUCFPL206
1-1/8"	SUCFPL206-18
1-3/16"	SUCFPL206-19
1-1/4"	SUCFPL206-20
35 mm	SUCFPL207
1-1/4"	SUCFPL207-20
1-3/8"	SUCFPL207-22
1-7/16"	SUCFPL207-23
40 mm	SUCFPL208
1-1/2"	SUCFPL208-24

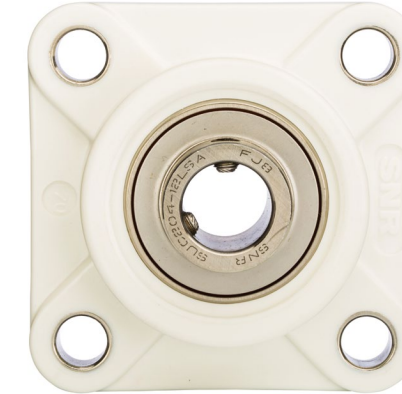
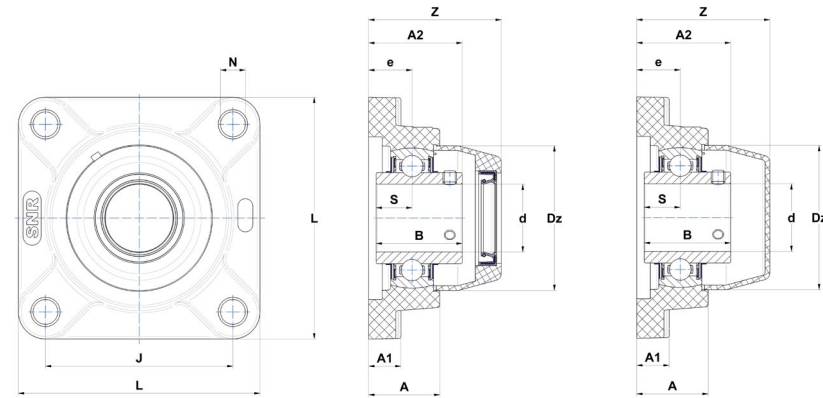


Series Interchanges					
NTN	DODGE	Regal	IPTCI	AMI	SKF/MRC
SUCFPL205-16	F4B-SCEZ-100-PSS	CF4S-S216	SUCTF205-16	MUCFPL205-6	C4F100SSG

Interchanges are based upon a 1" bore

Base Industry Part Number Variations and Features											
IPN	Bearing Type	Bore	Insert Material	Housing Material	H1 Grease Type		IPN	Cap Capable (Y/N)	End Caps (Y/N)	# of End Caps	End Caps Description
SUCFPL205-16	4-Bolt Flange Unit	1"	Stainless	Thermoplastic	H1 Grease		SUCFPL205-16	Yes	N/A	N/A	N/A
SUCFPL205-16CC	4-Bolt Flange Unit	1"	Stainless	Thermoplastic	H1 Grease		SUCFPL205-16CC	Yes	Yes	1	1 closed
SUCFPL205-16C0	4-Bolt Flange Unit	1"	Stainless	Thermoplastic	H1 Grease		SUCFPL205-16C0	Yes	Yes	1	1 open
SUCFPL205-16FG1	4-Bolt Flange Unit	1"	Stainless	Thermoplastic	H1 Solid Lube		SUCFPL205-16FG1	Yes	N/A	N/A	N/A
SUCFPL205-16CCFG1	4-Bolt Flange Unit	1"	Stainless	Thermoplastic	H1 Solid Lube		SUCFPL205-16CCFG1	Yes	Yes	1	1 closed
SUCFPL205-16C0FG1	4-Bolt Flange Unit	1"	Stainless	Thermoplastic	H1 Solid Lube		SUCFPL205-16C0FG1	Yes	Yes	1	1 open

SUCFPL - Thermoplastic Four-Bolt Flange



SENTINEL SERIES FOUR-BOLT FLANGE, THERMOPLASTIC									SENTINEL SERIES FOUR-BOLT FLANGE, THERMOPLASTIC (continued)							
Shaft Size d	Base Industry Part Number	Nominal Dimensions (mm/inch)							Nominal Dimensions (mm/inch)				Weight (kg/lbs)	Bolt Size (metric/inch)	Housing	Insert Part Number
		L	J	B	e	S	A	A1	A2	N	Z	Dz				
1/2	SUCFPL201-08															
5/8	SUCFPL202-10	86	64	31	18	12.7	27.8	13.4	36.3	11	47.4	50.1	0.31	M10	WFPL204	SUC201-08
17	SUCFPL203	3.39	2.50	1.22	0.71	0.50	1.09	0.53	1.43	0.43	1.87	1.97	0.68	3/8		SUC202-10
20	SUCFPL204															SUC203
3/4	SUCFPL204-12															SUC204
25	SUCFPL205	95	70	34.1	17	14.3	28	14.3	36.8	11	50.1	55.0	0.39	M10	WFPL205	SUC204-12
1	SUCFPL205-16	3.74	2.76	1.34	0.67	0.56	1.10	0.56	1.45	0.43	1.97	2.17	0.86	3/8		SUC205
30	SUCFPL206															SUC205-16
1 1/8	SUCFPL206-18	107	83	38.1	19.2	15.9	31.5	14.3	41.4	11	58.7	64.0	0.53	M10	WFPL206	SUC206
1 3/16	SUCFPL206-19	4.21	3.27	1.50	0.76	0.63	1.24	0.56	1.63	0.43	2.31	2.52	1.17	3/8		SUC206-18
1 1/4	SUCFPL206-20															SUC206-19
35	SUCFPL207															SUC206-20
1 1/4	SUCFPL207-20	118	92	42.9	21.5	17.5	34.8	15.5	46.9	13	63.6	74.6	0.78	M12	WFPL207	SUC207
1 3/8	SUCFPL207-22	4.65	3.62	1.69	0.85	0.69	1.37	0.61	1.85	0.51	2.50	2.94	1.72	1/2		SUC207-20
1 7/16	SUCFPL207-23															SUC207-22
40	SUCFPL208	130	102	49.2	23	19	37.5	17	53.2	14	71	84.0	1.03	M12	WFPL208	SUC207-23
1 1/2	SUCFPL208-24	5.12	4.02	1.94	0.91	0.75	1.48	0.67	2.09	0.55	2.80	3.31	2.27	1/2		SUC208
																SUC208-24

SUCNFL - Thermoplastic Two-Bolt Flange



Base Industry Part Number and Bore	
Bore	Base IPN
1/2"	SUCNFL201-08
5/8"	SUCNFL202-10
17 mm	SUCNFL203
20 mm	SUCNFL204
3/4"	SUCNFL204-12
25 mm	SUCNFL205
1"	SUCNFL205-16
30 mm	SUCNFL206
1-1/8"	SUCNFL206-18
1-3/16"	SUCNFL206-19
1-1/4"	SUCNFL206-20
35 mm	SUCNFL207
1-1/4"	SUCNFL207-20
1-3/8"	SUCNFL207-22
1-7/16"	SUCNFL207-23
40 mm	SUCNFL208
1-1/2"	SUCNFL208-24

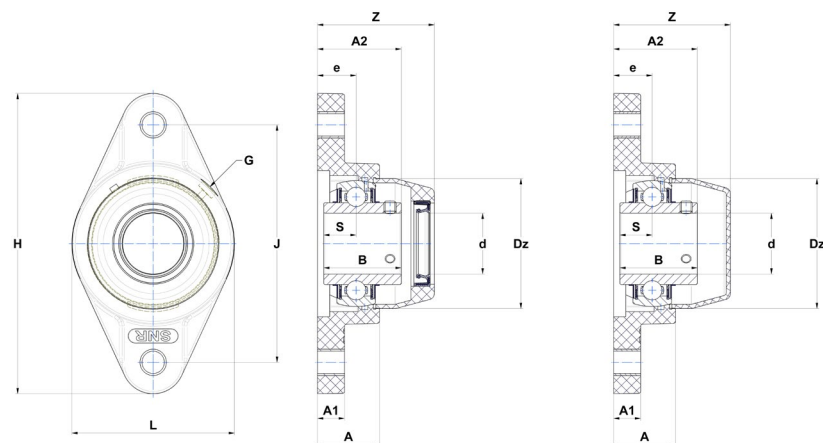


Series Interchanges					
NTN	DODGE	Regal	IPTCI	AMI	SKF/MRC
SUCNFL205-16	F2B-SCEZ-100-PSS	CF2S-S216	SUCTFL205-16	MUCNFL205-16	C2F100SSG

Interchanges are based upon a 1" bore

Base Industry Part Number Variations and Features											
IPN	Bearing Type	Bore	Insert Material	Housing Material	H1 Grease Type		IPN	Cap Capable (Y/N)	End Caps (Y/N)	# of End Caps	End Caps Description
SUCNFL205-16	2-Bolt Flange Unit	1"	Stainless	Thermoplastic	H1 Grease		SUCNFL205-16	Yes	N/A	N/A	N/A
SUCNFL205-16CC	2-Bolt Flange Unit	1"	Stainless	Thermoplastic	H1 Grease		SUCNFL205-16CC	Yes	Yes	1	1 closed
SUCNFL205-16C0	2-Bolt Flange Unit	1"	Stainless	Thermoplastic	H1 Grease		SUCNFL205-16C0	Yes	Yes	1	1 open
SUCNFL205-16FG1	2-Bolt Flange Unit	1"	Stainless	Thermoplastic	H1 Solid Lube		SUCNFL205-16FG1	Yes	N/A	N/A	N/A
SUCNFL205-16CCFG1	2-Bolt Flange Unit	1"	Stainless	Thermoplastic	H1 Solid Lube		SUCNFL205-16CCFG1	Yes	Yes	1	1 closed
SUCNFL205-16C0FG1	2-Bolt Flange Unit	1"	Stainless	Thermoplastic	H1 Solid Lube		SUCNFL205-16C0FG1	Yes	Yes	1	1 open

SUCNFL - Thermoplastic Two-Bolt Flange



SENTINEL SERIES TWO-BOLT FLANGE, THERMOPLASTIC									SENTINEL SERIES TWO-BOLT FLANGE, THERMOPLASTIC (continued)									
Shaft Size d	Base Industry Part Number	Nominal Dimensions (mm/inch)							Nominal Dimensions (mm/inch)					Weight (kg/lbs)	Bolt Size (metric/inch)	Housing	Insert Part Number	
		L	J	H	B	e	S	A	A1	A2	N	Z	Dz					
1/2	SUCNFL201-08																	SUC201-08
5/8	SUCNFL202-10	65	90	113	31	15.4	12.7	26.5	11.4	33.7	11	46.8	50.1	0.26	M10	WNFL204	SUC202-10	
17	SUCNFL203	2.55	3.54	4.45	1.22	0.61	0.50	1.04	0.45	1.33	0.43	1.84	1.97	0.57	3/8		SUC203	
20	SUCNFL204																	SUC204
3/4	SUCNFL204-12																	SUC204-12
25	SUCNFL205	70	99	130	34.1	17	14.3	29.1	13.5	36.8	11	51.1	55.0	0.33	M10	WNFL205	SUC205	
1	SUCNFL205-16	2.76	3.90	5.12	1.34	0.67	0.56	1.15	0.53	1.45	0.43	2.01	2.17	0.73	3/8		SUC205-16	
30	SUCNFL206																	SUC206
1 1/8	SUCNFL206-18	80	117	148	38.1	19	15.9	30.5	13.3	41.2	11	57.5	64.0	0.48	M10	WNFL206	SUC206-18	
1 3/16	SUCNFL206-19	3.15	4.61	5.83	1.50	0.75	0.63	1.20	0.52	1.62	0.43	2.26	2.52	1.06	3/8		SUC206-19	
1 1/4	SUCNFL206-20																	SUC206-20
35	SUCNFL207																	SUC207
1 1/4	SUCNFL207-20	90	130	163	42.9	18	17.5	32.8	16.1	43.4	13	61.6	74.6	0.7	M12	WNFL207	SUC207-20	
1 3/8	SUCNFL207-22	3.54	5.12	6.42	1.69	0.71	0.69	1.29	0.63	1.71	0.51	2.43	2.94	1.54	1/2		SUC207-22	
1 7/16	SUCNFL207-23																	SUC207-23
40	SUCNFL208	100	144	175	49.2	21.5	19	37.5	20	51.7	14	71	84.0	0.92	M12	WNFL208	SUC208	
1 1/2	SUCNFL208-24	3.94	5.67	6.89	1.94	0.85	0.75	1.48	0.79	2.04	0.55	2.80	3.31	2.03	1/2		SUC208-24	

SUCFBL - Thermoplastic Three-Bolt Flange



Base Industry Part Number and Bore	
Bore	Base IPN
1/2"	SUCFBL201-08
5/8"	SUCFBL202-10
17 mm	SUCFBL203
20 mm	SUCFBL204
3/4"	SUCFBL204-12
25 mm	SUCFBL205
1"	SUCFBL205-16
30 mm	SUCFBL206
1-1/8"	SUCFBL206-18
1-3/16"	SUCFBL206-19
1-1/4"	SUCFBL206-20
35 mm	SUCFBL207
1-1/4"	SUCFBL207-20
1-3/8"	SUCFBL207-22
1-7/16"	SUCFBL207-23
40 mm	SUCFBL208
1-1/2"	SUCFBL208-24

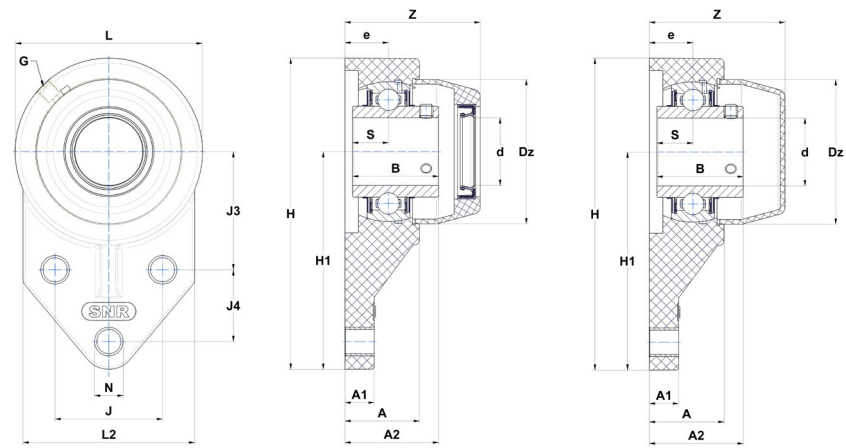


Series Interchanges					
NTN	DODGE	Regal	IPTCI	AMI	SKF/MRC
SUCFBL205-16	FB-SCEZ-100-PSS	CPS-S216	SUCTP205-16	MUCFBL205-16	CPB100SSG

Interchanges are based upon a 1" bore

Base Industry Part Number Variations and Features											
IPN	Bearing Type	Bore	Insert Material	Housing Material	H1 Grease Type		IPN	Cap Capable (Y/N)	End Caps (Y/N)	# of End Caps	End Caps Description
SUCFBL205-16	3-Bolt Flange Unit	1"	Stainless	Thermoplastic	H1 Grease		SUCFBL205-16	Yes	N/A	N/A	N/A
SUCFBL205-16CC	3-Bolt Flange Unit	1"	Stainless	Thermoplastic	H1 Grease		SUCFBL205-16CC	Yes	Yes	1	1 closed
SUCFBL205-16C0	3-Bolt Flange Unit	1"	Stainless	Thermoplastic	H1 Grease		SUCFBL205-16C0	Yes	Yes	1	1 open
SUCFBL205-16FG1	3-Bolt Flange Unit	1"	Stainless	Thermoplastic	H1 Solid Lube		SUCFBL205-16FG1	Yes	N/A	N/A	N/A
SUCFBL205-16CCFG1	3-Bolt Flange Unit	1"	Stainless	Thermoplastic	H1 Solid Lube		SUCFBL205-16CCFG1	Yes	Yes	1	1 closed
SUCFBL205-16C0FG1	3-Bolt Flange Unit	1"	Stainless	Thermoplastic	H1 Solid Lube		SUCFBL205-16C0FG1	Yes	Yes	1	1 open

SUCFBL - Thermoplastic Three-Bolt Flange



SENTINEL SERIES THREE-BOLT FLANGE, THERMOPLASTIC											SENTINEL SERIES THREE-BOLT FLANGE, THERMOPLASTIC (continued)														
Shaft Size d	Base Industry Part Number	Nominal Dimensions (mm/inch)									Nominal Dimensions (mm/inch)									Weight (kg/lbs)	Bolt Size (metric/inch)	Housing	Insert Part Number		
		L	L2	J	J3	J4	H	H1	B	e	S	A	A1	A2	N	Z	Dz								
1/2	SUCFBL201-08																								SUC201-08
5/8	SUCFBL202-10	63.5	62	38.1	42.9	22.2	108	76.2	31	15.4	12.7	26.5	11.4	33.7	10.7	46.8	50	0.27	M10	FBL204	SUC202-10				
17	SUCFBL203	2.50	2.44	1.50	1.69	0.87	4.25	3.00	1.22	0.61	0.50	1.04	0.45	1.33	0.42	1.84	1.97	0.60	7/16		SUC203				
20	SUCFBL204																								SUC204
3/4	SUCFBL204-12																								SUC204-12
25	SUCFBL205	70	63.5	4.31	46	28.6	120.6	85.7	34.1	21.8	14.3	34	11.4	41.2	10.7	56.2	55	0.33	M10	FBL205	SUC205				
1	SUCFBL205-16	2.76	2.50	1.63	1.81	1.13	4.75	3.37	1.34	0.86	0.56	1.34	0.45	1.62	0.42	2.21	2.17	0.73	3/8		SUC205-16				
30	SUCFBL206																								SUC206
1 1/8	SUCFBL206-18	83	76	47.6	52.4	31.8	138.5	96.5	38.1	19.3	15.9	32	13.3	41.5	10.7	58.9	64	0.49	M10	FBL206	SUC206-18				
1 3/16	SUCFBL206-19	3.27	2.99	1.87	2.06	1.25	5.45	3.80	1.50	0.76	0.63	1.26	0.52	1.63	0.42	2.32	2.52	1.08	3/8		SUC206-19				
1 1/4	SUCFBL206-20																								SUC206-20
35	SUCFBL207																								SUC207
1 1/4	SUCFBL207-20	95	89	50.8	60.3	31.8	157	109.5	42.9	21.7	17.5	36.5	16.1	47.1	13.1	65.1	75	0.7	M12	FBL207	SUC207-20				
1 3/8	SUCFBL207-22	3.74	3.50	2.00	2.37	1.25	6.18	4.31	1.69	0.85	0.69	1.44	0.63	1.85	0.52	2.56	2.93	1.54	1/2		SUC207-22				
1 7/16	SUCFBL207-23																								SUC207-23
40	SUCFBL208	99	89	50.8	60.3	31.8	158.5	109.5	49.2	21.5	19	36	16	51.7	13.1	69.5	84	0.9	M12	FBL208	SUC208				
1 1/2	SUCFBL208-24	3.90	3.50	2.00	2.37	1.25	6.24	4.31	1.94	0.85	0.75	1.42	0.63	2.04	0.52	2.74	3.31	1.98	1/2		SUC208-24				



Since 1918, NTN has been a trusted OE manufacturer of high-performing bearing products that increase productivity and efficiency.

- NTN has been the world's broad-line bearing manufacturer for nearly 100 years.
- NTN has the largest bearing manufacturing footprint in the United States.
- NTN is the largest supplier of American-made products to the construction and mining industries.
- NTN is a major supplier to over two-thirds of the world's "Fortune 500" manufacturing companies.
- More cars worldwide ride on NTN bearings and drivetrains than any other manufacturer's product.



◀ NTN was the first bearing manufacturer to be awarded the prestigious Deming Prize for recognition of its quality products and systems.

Beyond Bearings

Training. Installation Support.
Trouble-shooting. And more.

When you choose NTN, your team is equipped with all the necessary tools and resources to get the job done right. From installation to problem-solving, we'll be there with the hands-on support you need to take on your toughest challenges. This includes extra services such as:



Technical Training Unit

On-site, mobile training unit offering specialized, hands-on instruction from NTN engineers



Product Training School

Three days of in-depth instruction from NTN engineers at NTN headquarters
(go.ntnamericas.com/trainingschool)



eKnowledge

WEB-BASED TRAINING PROGRAM

Six online product training modules covering different bearing types and nomenclature
(www.ntnamericas.com/eknowledge)



NTN Bearing Finder

Customizable search tool featuring exhaustive data sets, comprehensive part interchanges and interactive CAD drawings
(bearingfinder.ntnamericas.com)



Ready to get rolling? Contact us today for full details at
1-800-323-2358 or eng@ntnamerica.com.

NTN[®]

NTN BEARING CORPORATION OF AMERICA • 1600 E. Bishop Court • Mount Prospect, IL 60056-7604, U.S.A.

Tel: 847-298-7500 • Fax: 847-294-1205 • www.ntnamericas.com

NTN is a registered trademark of NTN Corporation. Osaka, Japan