

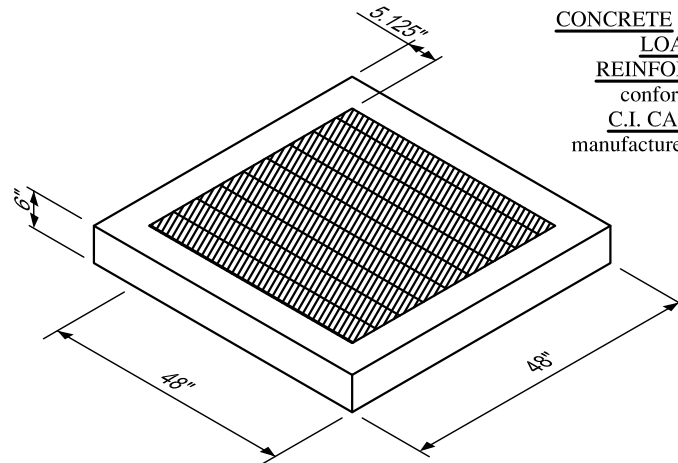
SPECIFICATIONS

CONCRETE - 5000 PSI minimum compression @ 28 days.

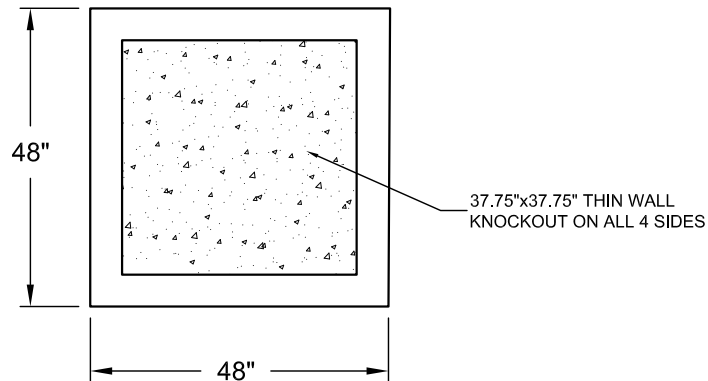
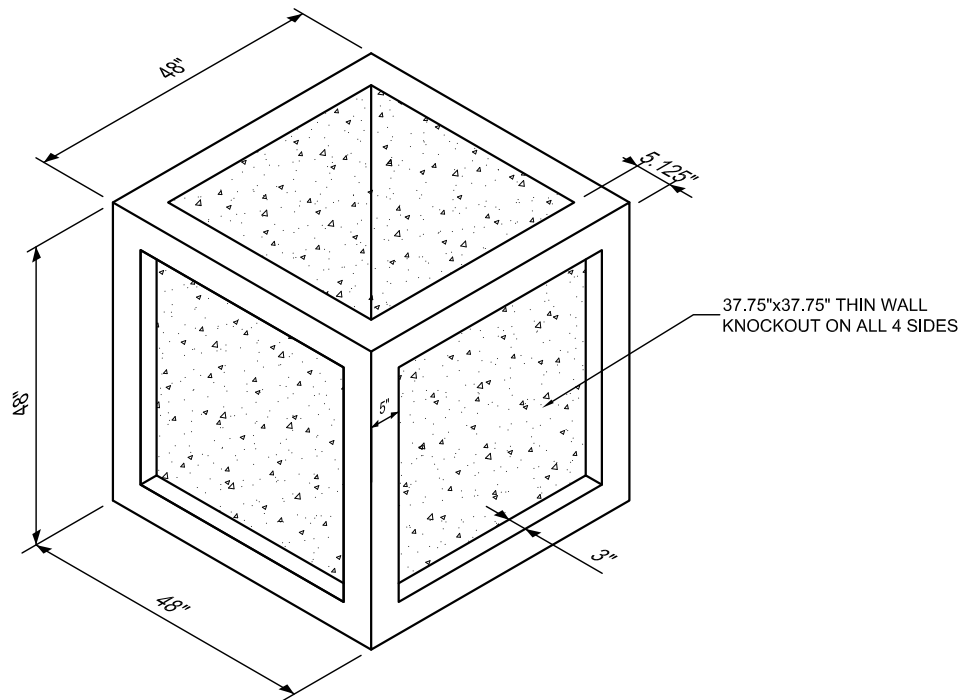
LOADING - Designed for H-20 loading.

REINFORCING - Grade 60 reinforcing steel rebar conforming to ASTM A615 on required O.C.

C.I. CASTINGS - Cast iron frames & grates are manufactured of gray c.i. conforming to ASTM A48-76.



CATCH BASIN LID



CATCH BASIN BODY

WWW.TEXASPRECAST.NET

TOLL FREE: 800-633-3235  
PHONE: 409-925-2502

**TEXAS PRECAST, L.L.C.**

18303 HIGHWAY 6  
SANTA FE, TEXAS 77510

**MODEL  
48X48 CATCH BASIN**