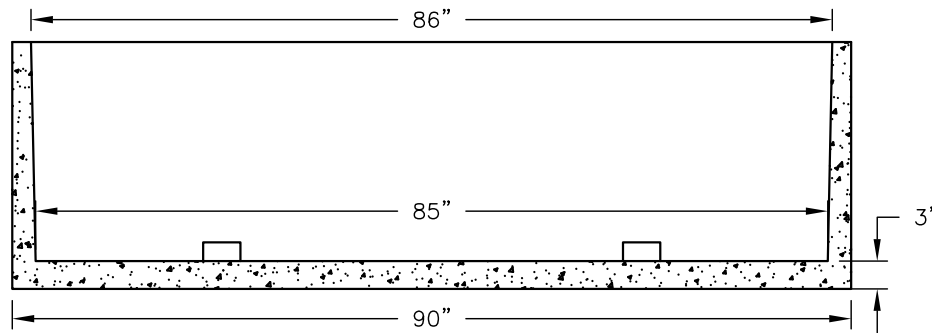
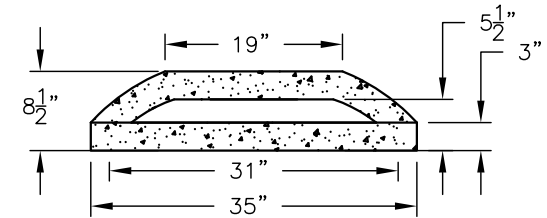


NOT TO SCALE

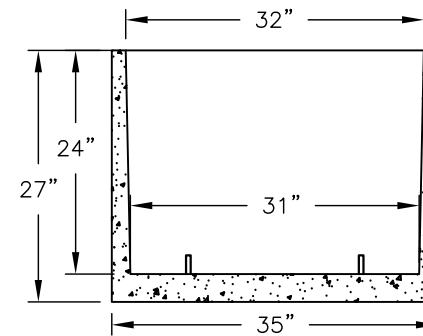


FRONT VIEW
SECTION "A"

PECOS BODY



SECTION "B"
PECOS LID



"A"
RIGHT SIDE VIEW

SPECIFICATIONS

- CONCRETE** - 6000 PSI minimum in 28 days.
- REINFORCEMENT** - 2X4 12 gauge ASTM A185 65 KSI plain finish cont. around perimeter of vault, #3 bars (Grade 60) rebar, per engineering spec. as required for vaults design.
- LID REINFORCEMENT** - #3 rebar 6" center, both ways plus a mat on 2X4 12 gauge wire.

WWW.TEXASPRECAST.NET

TOLL FREE: 800-633-3235
PHONE: 409-925-2502

TEXAS PRECAST, L.L.C.

18303 HIGHWAY 6
SANTA FE, TEXAS 77510

MODEL
PECOS VAULT