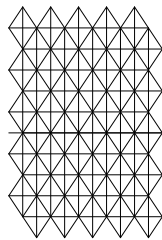
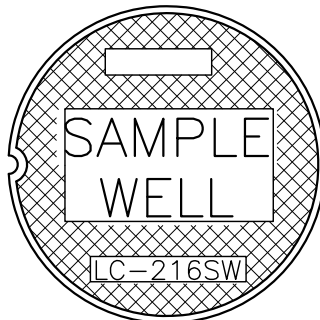


FILE:J:\TEXAS PRECAST\UPDATED\MAN HOLE COVERS\17IN.FLAT SAMPLE WELL LID



DETAIL OF POINTED  
DIAMOND CHEQUER  
(NTS)

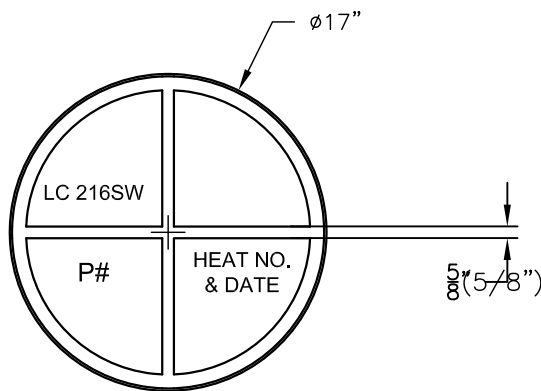


TOP VIEW

2" LETTERS (TYP.)



FULL SECTION VIEW



BACK VIEW

NOTES

MATERIAL: CAST IRON  
ATSM A48, CLASS 30B.  
FINISH: PAINTED.  
WEIGHT: 50 LBS.  
( ) CFL DIMENSION  
CFL ACTUAL WEIGHT 34 LBS.

<b>17" FLAT SAMPLE WELL LID</b>		
<b>TEXAS PRECAST, L.L.C.</b>		
PO BOX 1525 SANTA FE, TEXAS 77510		
SC: 1"=10"	DATE: 01/27/2010	DR. BY: MEGAN MAIER