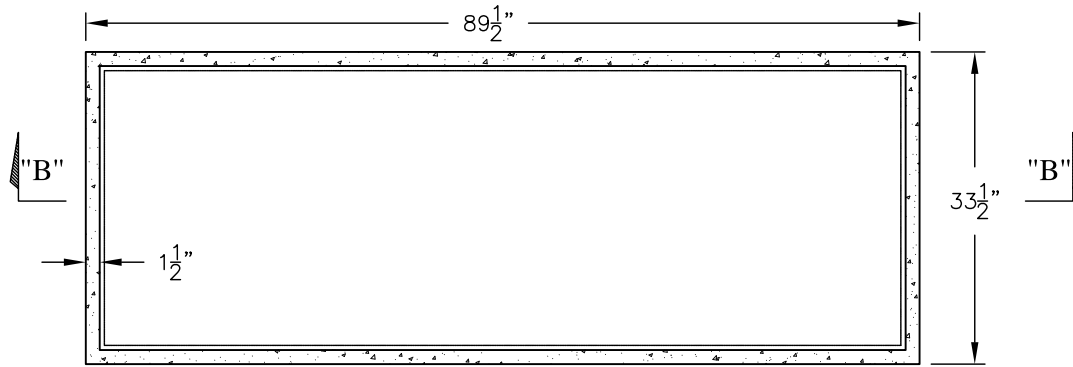
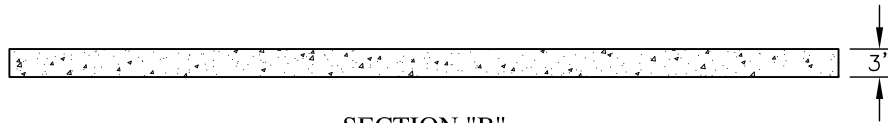


SPECIFICATIONS

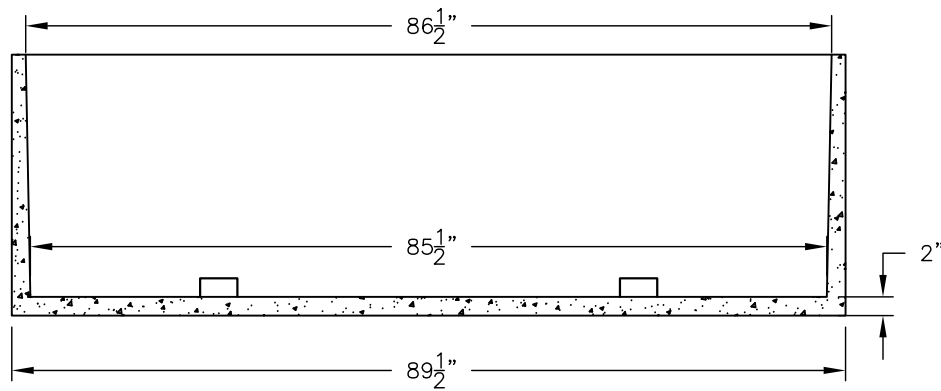
CONCRETE - 6000 PSI minimum in 28 days.
REINFORCEMENT - 2X4 12 gauge ASTM A185 65 KSI plain finish cont. around perimeter of box, #3 bars (Grade 60) rebar, per engineering spec. as required for boxes design.
LID REINFORCEMENT - #3 rebar 6" center, both ways plus a mat on 2X4 12 gauge wire.



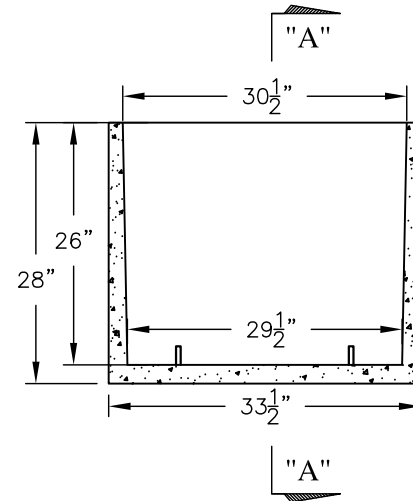
TOP VIEW



SECTION "B"
C-BOX LID



FRONT VIEW
SECTION "A"



RIGHT SIDE VIEW

C-BOX BODY

WWW.TEXASPRECAST.NET

TOLL FREE: 800-633-3235
 PHONE: 409-925-2502

TEXAS PRECAST, L.L.C.

18303 HIGHWAY 6
 SANTA FE, TEXAS 77510

**MODEL
 C-BOX**