

SPECIFICATIONS

CONCRETE - 6000 PSI minimum in 28 days.
REINFORCEMENT - 6X6 10 gauge
 ASTM A185 65 KSI plain finish cont.
 around perimeter of tank, #3 bars (Grade 60)
 rebar, per engineering spec. as required for
 tanks design.

LID REINFORCEMENT - #3 rebar 6" center, both
 ways plus a mat on 6X6 10 gauge wire.

PIPE PENETRATIONS - Inlet and outlet seals
 water tight that meet ASTM C923.

PARTITION WALLS - If present, is poured
 monolithically.

INSTALLATION - By contractor per code with
 minimum of 12" on all sides of unit is required.

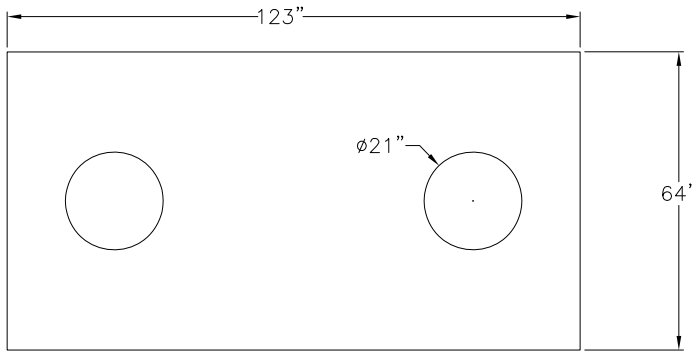
Depth of base and material shall meet the
 specifications and requirements for the type
 of soil at the setting location. The leveling of
 the material will prevent tank from cracking
 after filling with water.

BACK FILL - Before filling with water! This must
 be done on all sides by lowering sand.

DO NOT PUSH FROM SIDES.

TANK WARRANTY - Limited to replacement for 1 year.

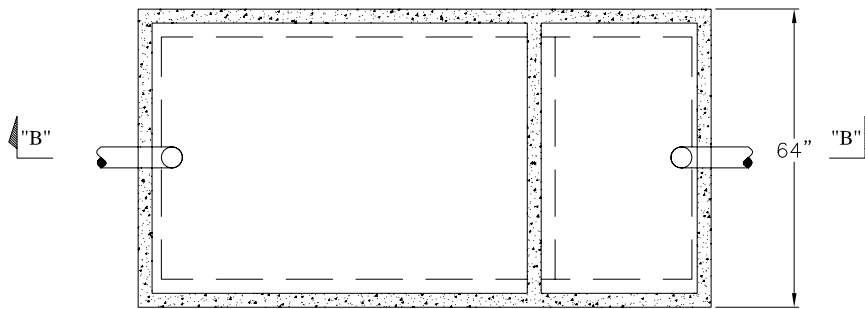
Full warranty provided with tank purchase at location
 and at www.texasprecast.net
 Approx. Capacity - 1534 gallons
 Approx. Weight 12880 lbs.



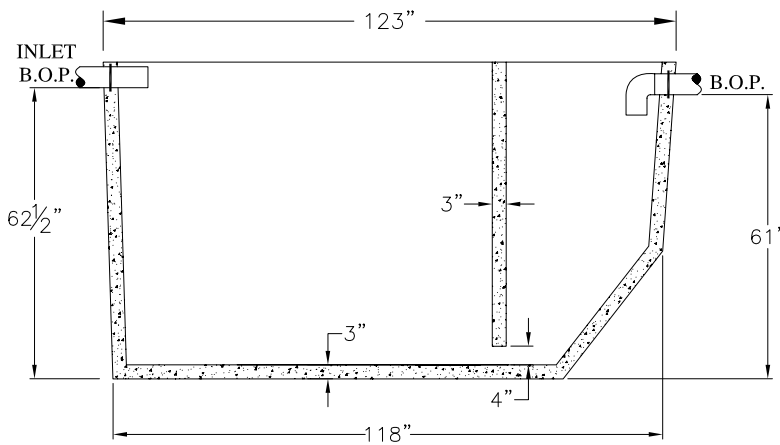
RISER CONSTRUCTED
 AS SPECIFIED. STANDARD
 1'-8", 6" TALL. TUF-TITE OR
 OR EQUIVALENT.



SECTION "B"
AQUA KLEAR LID

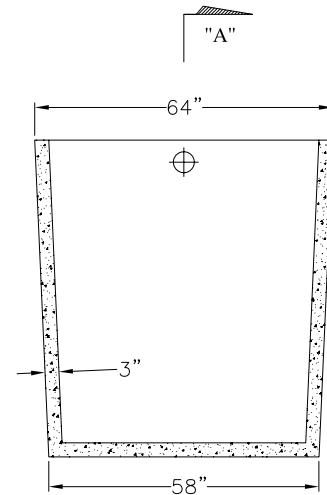


TOP VIEW



FRONT VIEW
 SECTION "A"

AQUA KLEAR BODY



RIGHT SIDE VIEW

WWW.TEXASPRECAST.NET

TOLL FREE: 800-633-3235
 PHONE: 409-925-2502

TEXAS PRECAST, L.L.C.

18303 HIGHWAY 6
 SANTA FE, TEXAS 77510

**MODEL
 AK1000**