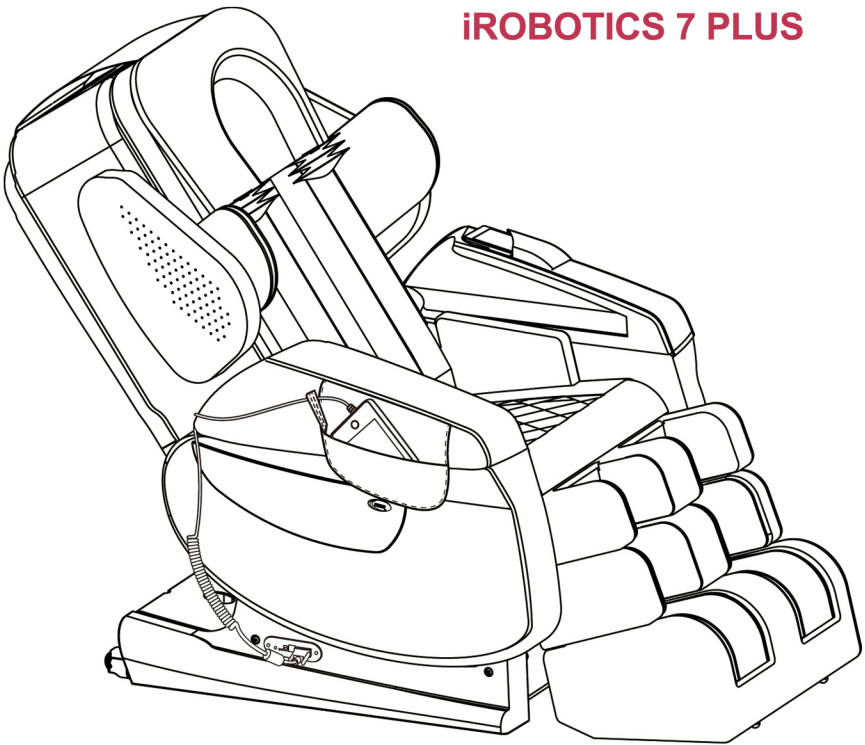


USER'S MANUAL

iROBOTICS 7 SERIES

The World's #1 Medical Massage Chair®

iROBOTICS 7 PLUS



THANK YOU FOR SUPPORTING
U.S.A. PRODUCTS & AMERICAN WORKERS



Congratulations on your purchase of a new Luraco Medical Massage Chair!

We are pleased that you have chosen Luraco Health & Beauty, LLC for your massage chair purchase. We hope you will enjoy the quality, convenience, and excellent performance of your new Luraco iRobotics 7 PLUS Medical Massage Chair. We know from experience that you will soon be telling your friends and family about the health benefits of using a massage chair at home, and how enjoyable and easy it is to operate the Luraco i7 PLUS massage chair.

Customer Assistance

For assistance with this product, please visit:

www.luracochair.com

Or call Luraco Health & Beauty Customer Care toll-free at

1-800-483-9930 Monday – Friday 8:30 am to 6 pm

To save time, please have your serial number and date of purchase before calling.

© All Rights Reserved. Luraco Health & Beauty LLC. Aug 2018.
www.luracochair.com

TABLE OF CONTENTS

Page

I.	INTRODUCTION	3
II.	IMPORTANT SAFETY INSTRUCTIONS	4
	1. When using any electrical mechanism, basic precautions should always be followed. Read all instructions before using	4
	2. Grounding Instructions	5
	Medical Warnings	6
	Emergency Stop	6
	Caution for User	7
III.	INSTALLATION INSTRUCTIONS	8
	Step 1: Unpack the two large packages	8
	Step 2: Assemble the armrests	9
	Step 3: Back cushion assembly	10
	Step 4: Seat cushion and pillow assembly	10
	Step 5: Connect remote control and other electrical accessory device	11
IV.	UNDERSTANDING REMOTE CONTROL FEATURES	12
	1. Quick Instruction for Remote Main Screen	12
	2. Start/Stop the Chair	13
	3. Automatic Massage Modes	13
	4. Manual Massage Modes	14
	5. System Settings	15
	6. Bluetooth Media Streaming	16
	7. Chair Adjustments	17
	8. Intensity Adjustments	17
	9. Health Information	18
V.	TROUBLESHOOTING THE MASSAGE CHAIR	19
VI.	WARRANTY INFORMATION	21
	1. For Home Use	21
	2. For Commercial Use	22
VII.	DISCLAIMERS	24
VIII.	EXTENDED WARRANTY REGISTRATION	25

I. INTRODUCTION

iRobotics 7 PLUS: The 7th Generation of The World's #1 Massage Chair® by Luraco Health & Beauty, LLC.

INNOVATION + QUALITY + LUXURY

In an effort to revolutionize the massage experience, Luraco Health & Beauty LLC, an industry leader in massage chair manufacturing has successfully developed a new model (i7 PLUS) of The World's #1 Massage Chair product line. Bringing together all aspects of innovative technologies, massage therapy techniques, healthcare and entertainment features into one ingenious and comprehensive machine, the iRobotics i7 PLUS is truly the Industry's Best Massage Chair.

Outstanding Features and Technologies:

- The Only Massage Chair Line that is Researched, Developed and Assembled in USA. All other massage chairs are imported from Asia.
- UL listed, CE and FDA Registered. Built for safety and medical benefits.
- Most technically up-to-date, fast-responding, heavy-duty, and smart handheld touch-screen control. Same platform as in Smartphones -patented.
- Unique features for up to 5 personal user memory settings so the whole family can enjoy.
- 6 Sections for Multi-Intensity Massage Controls (Neck, Upper Back, Lower Back, Arms, Calves, and Feet).
- 5 Levels of Intensity Controls – true 3D – from super soft to intense.
- Independent Rhythm and Speed Controls for Kneading and Tapping massages.
- Pause and Resume buttons (for when the user needs to pause their massage).
- Powerful Bluetooth Speaker (10 W) for media streaming.
- Seven Human-voice command system (English, Vietnamese, Spanish, German, French, Japanese, and Korean). This chair confirms the commands you give it!
- User height recommendations of 4'7" to 6'7" and weight up to 300 pounds. Accommodates large bodies better than any other chair on the market!
- Integrated Blood Pressure and Heart Rate Monitor (optional) – patent pending.

Relax and enjoy an accurate automatic body shape detection which prepares you for the most advanced **3D robotic massage** on the market and provides outstanding neck, back and lower body massage techniques. Experience the **3-layer foot and calf massage, full body heat** (back, seat and feet), **advanced sole massagers** with **double rollers and removable foot pads**, and **body swivel with twist stretching** not found on any other massage chair. Comforting **acupressure point arm massages** and unique **stretch program** with **genuine leather** at all **massage touch surfaces** (Head, Arms, Shoulders, and Feet). **Nine automatic** and limitless customizable programs including **True Zero Gravity**. The Luraco iRobotics **7 PLUS** is the most unique chair on the market and the only one made in the USA!

**Built for those that expect Luxury, Reliability,
Comfort and Relief**

II. IMPORTANT SAFETY INSTRUCTIONS

1. When using an electrical mechanism, basic precautions should always be followed. Read all instructions before using.



WARNING – To reduce the risk of burns, fire, electric shock or injury to persons:

1. The main power switch is marked with international symbols “O” and “I”. “I” means that system is on, and “O” means that system is off.
2. The chair should never be left unattended when plugged in. Unplug from outlet when not in use and before putting on or taking off parts.
3. DO NOT wear shoes, jewelry, glasses, or watches of any kind.
4. Close supervision is necessary when this appliance is used near children, invalids, or disabled persons. Keep children away from extended foot support (or other similar parts).
5. Use the chair only for its intended use as described in this manual. Do not use attachments not recommended by the manufacturer. Do not use if cord or plug is damaged, if it is not working properly, if it has been dropped, damaged, or dropped into water. Return the chair to an authorized service center for examination and repair.
6. Keep the cord away from heated surfaces.
7. Do not use outdoors.
8. Do not operate where aerosol (spray) products are being used or where oxygen is being administered.
9. To disconnect, turn power switch to the off position, then remove plug from outlet.
10. Connect this chair to a properly grounded outlet only. See Grounding Instructions.
11. Do not remove the back cushion and do not play with roller mechanism.
12. Do not remove the bottom seat and do not play with actuators.
13. Keep the cord out of heavy traffic areas. To avoid fire hazard, NEVER put the cord under rugs or near heat generating devices.
14. Always unplug the power cord from the electrical outlet immediately after use and before cleaning.
15. Do not operate any chair with damaged parts.
16. Any other use not recommended by the manufacturer may cause electrical shock or injury to persons.
17. Do not touch or re-wire the connectors to the master-box.
18. Do not attempt to repair or adjust any electrical or mechanical functions on this unit. Doing so will void the warranty.
19. Please be aware that some household PESTS like to hide in electronic devices. Rodent and/or bug damages are not the responsibility of Luraco Health & Beauty, LLC. Keep the back cover of the chair free from dirt, dust and household pests.

After reading this user’s guide, if you have any questions or comments, please call 1-800-483-9930, contact our technical support department at support@Luraco.com or visit our website at www.LuracoChair.com for more information.

2. Grounding Instructions

This product must be grounded. If there is a malfunction or breakdown, the grounding provides a path of least resistance for electric current to flow, thus reducing the risk of electric shock. This product is equipped with a cord having an equipment-grounding conductor and a grounding plug. The plug must be plugged into an appropriate outlet that is properly grounded in accordance with all local codes and ordinances.

DANGER - Improper connection of the equipment-grounding conductor can result in a risk of electric shock. Check with a qualified electrician or serviceman if you are in doubt as to whether the product is properly grounded. Do not modify the plug provided with the product, if it does not fit the outlet; have a proper outlet installed by a qualified electrician.

Followed by either instruction a) or b) below:

- a) This product is for use on a normal power circuit, and has a grounding plug that looks like the plug illustrated in sketch A in Figure 1 below. A temporary adapter that looks like the adapter illustrated in sketches B and C may be used to connect this plug to a 2-pole receptacle as shown in sketch B if a properly grounded outlet is not available. **The temporary adapter should be used only until a properly grounded outlet (sketch A) can be installed by a qualified electrician.** The green colored rigid ear, lug, or the like extending from the adapter must be connected to a permanent ground such as a properly grounded outlet box cover. Whenever the adapter is used, it must be held in place by a metal screw.
- b) This product is for use on a normal power circuit, and has a grounding plug that looks like the plug illustrated in sketch A in Figure 1 below. Make sure that the product is connected to an outlet having the same configuration as the plug.
- c) **No adapter should be used long term with this product.**

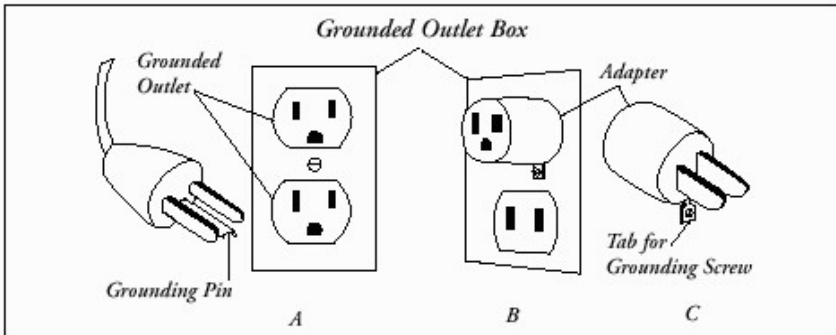


Fig.1: Grounding Instruction



MEDICAL WARNINGS – NOT RECOMMENDED FOR:

- Pregnant women
- People with distorted joints, broken bones, skin infection or injury
- Children under 12 years of age

If you have any of the above medical issues or any other concerns, please consult your doctor before using the massage chair.



DO NOT:

- Allow children or pets to play near the chair, especially during operation.
- Use any massage function on the head.
- Massage abdominal area or knee cap region.
- Leave mobility impaired or speech impaired persons alone in chair.
- Wear shoes, jewelry, glasses, or watches of any kind.



EMERGENCY STOP

- In case of emergency, press the stop button on the remote to stop the system.

Additional Safety Precautions

- Do not use more than 30 minutes per session.
- Do not operate near young children or pets.
- Do not move the machine during operation.
- Do not place or store the chair near damp places such as swimming pools or bathrooms.
- Do not forcibly press on the massage rollers.
- Do not stand on the footrest or store heavy items on the chair.
- Do not use in an environment which is dusty, greasy or lacking oxygen.
- Do not place near steam, oven, open fire, or heat.
- Do not place directly in the sun.
- Do not use electric blanket while using the massage chair.
- Do not use outdoors.
- Do not use while smoking.
- Do not eat or drink in chair when operating.
- Do place this chair horizontally with space over 81 inches, to allow for full recline mode.
- Do place on level floor.
- Do wear suitable clothing at all times while using.
- This chair has a heating option. People sensitive to heat must be careful when operating the chair when the heat option is on

Note: Do not use the chair as a bed or to sleep on over a long period of time. The recommended time of use is 20 minutes. Prolonged massaging may cause aches, muscle or nerve issues. (The preferred total duration of massaging within the day should be 30 minutes total or less).



CAUTION FOR USER

- This device should not be used until grounded.
- In the course of normal use, lift the back cushion regularly to check for any damage or cracks in the fabric of the cushion. Please stop using immediately even if there is minor damage and turn the power switch off. Send the cushion in for repair to avoid possible electric shock.
- Do not move the chair while in use.
- Do not place heavy objects on the armrest, footrest or back of the chair to avoid overturning or damaging the chair.
- Do not pull the fabric forcefully or stab it with sharp objects which can result in injury or damage to the chair.
- Do not move the chair on wooden floor, carpet or other easily damaged flooring.
- Children and pets should not be allowed to play around chair.
- Please be sure that no people, pets, or other objects are behind the chair or under the legs before reclining or lowering the leg massager.
- Do not put your hands or head under the chair.
- When using the massage chair, ascertain that the footrest is in the lowest position.
- Do not use immediately after meals.
- Do not sit on the back cushions, armrest, or legs.
- Do not use the massage chair when your body is wet or moist as it can result in electrical shock.
- Do not operate with more than one person.
- Do not use when wearing head ornamentation as it can result in injury.
- Do not stumble over electrical wires or connections
- Do not touch the inner parts of the chair as this can cause damage and electrical shock.
- Do not dismantle and remove inner parts, or repair the massage chair.

Do Not Use the Chair under the Following Conditions

- When the chair has been exposed to water or fails to operate.
- If power cable is damaged.
- Please stop using the massage chair immediately and consult a doctor if you feel abnormal or extremely achy during the course of the massage.
- If power failure occurs.
- When the massage chair malfunctions during the course of operation.
- Do not operate during a thunderstorm.

Methods of Storage

- Do not dismantle the back of the chair.
- Keep the massage chair free of dust.
- Cover the chair with dust-free cloth to prevent dust from collecting.
- Do not store in a hot, humid, damp place nor in direct sunlight or heat.

Cleaning Methods

- Before cleaning unplug from electrical source to avoid shock.
- Clean the chair surface with neutral or mild detergent.
- Use leather cleaner and leather conditioner.
- Dust can be cleaned off with a damp cloth using mild detergent and let air dry.

- Do not spray pesticide on device.
- Do not use a damp cloth on the electronic components, which can cause shock and damage.

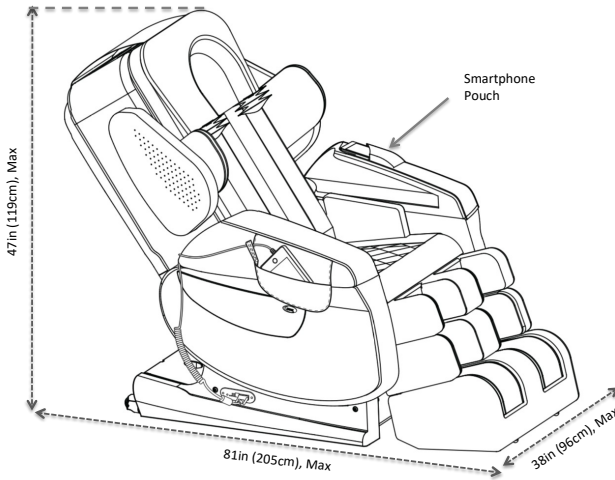


Fig.2: Space Requirement

III. INSTALLATION INSTRUCTIONS

PLACEMENT

There must be enough space around the chair for proper operation. There is a required minimum clearance of 32 inches (81cm) from the front of the chair to the wall, and 27 inches (68cm) from the wall to the backrest.

Step 1: Unpack the two large packages

Carefully take out the main body, back cushion, seat cushion, head pillow, remote control, and armrests from the boxes.

Note: i7 PLUS requires at least two people to assist with assembly.



ATTENTION:
Be sure no children, pets, or objects are around chair. Allow enough space for installation.

Step 2: Assemble the Armrests

Please refer to Fig.3 and Fig.4 and follow the steps (1-5) below to install the armrests.

1. Assemble armrest air tubes (Fig.3). Make sure the color marks/numbers are matched.
2. Attach air tubes. Make sure air tubes are not bent (Fig.3).
3. Insert the axle into the located slot on the seat frame (Fig.3 and Fig.4).

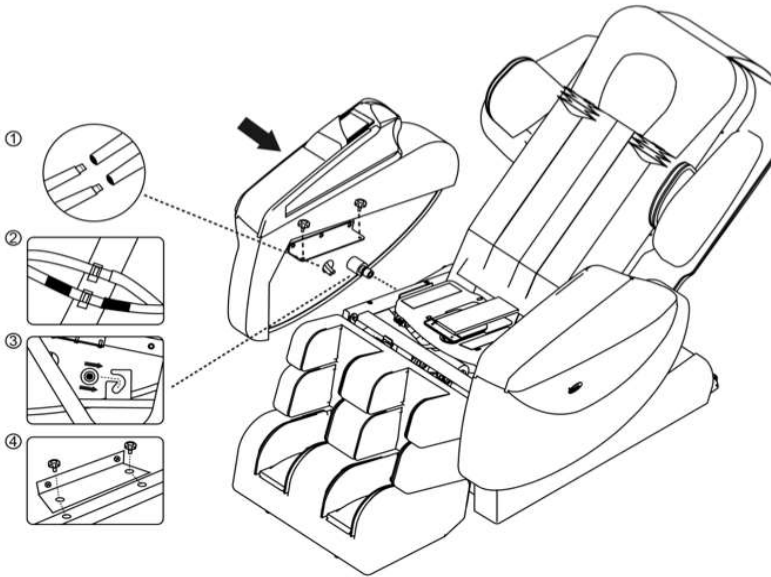


Fig.3: Armrest Installation

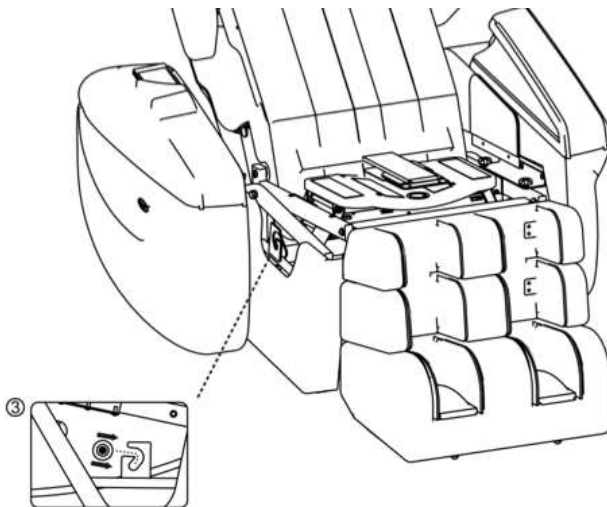


Fig.4: Armrest Installation

4. Install 2 black head screws to secure the armrest metal plate on to the seat frame (Fig.3).
5. Repeat steps 1 thru 4 for the second armrest assembly.



ATTENTION!

- Be sure no objects are behind the chair before reclining
- For a higher intensity foot massage, you can remove the gentle pads located on top of the foot rollers (Fig.7)
- For a higher intensity neck and shoulder massage, you can flip the pillow to the back of the chair

Step 3: Back Cushion Assembly

Assemble the back cushion as shown in Fig. 5 below. Be sure to connect the heat connector with matched wire color.

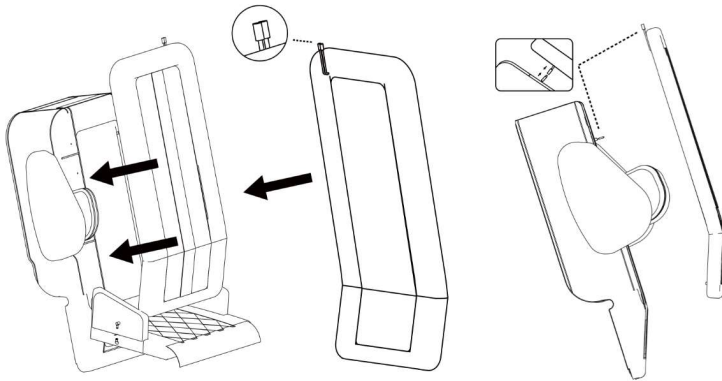


Fig.5: Back Cushion Installation

Step 4: Pillow and Foot Roller Gentle Pad Assembly

Connect the air pipe on the pillow to the pipe on the back of the chair as shown in Fig.6 below.

Be sure to install the clamps to secure the air pipes (Use the pliers provided).

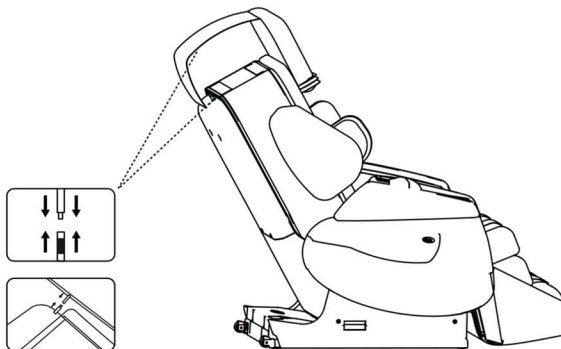


Fig.6: Pillow Assembly

If you wish to have a stronger foot massage, simply remove the gentle pads on top of the rollers as shown in Fig.7 below. **Note:** The gentle pads are already installed in the chair.

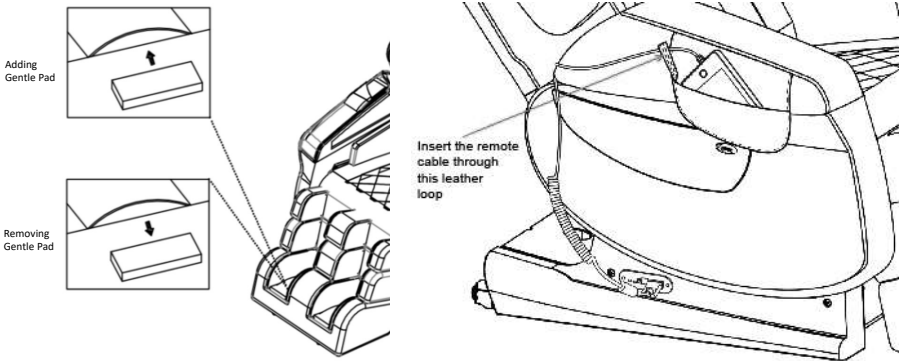


Fig.7: Adding/Removing Foot Roller Gentle Pads and Remote Controller Installation

Step 5: Connect Remote Control and other Electrical Accessory Devices

1. Please refer to Fig.7&8 for remote control and other accessory devices connections. Be sure the remote cable is inserted through the leather loop located on the remote pouch. This will prevent remote damage from dropping on the floor.
2. **Note:** This panel is located on the right side of the chair slightly below the armrest.

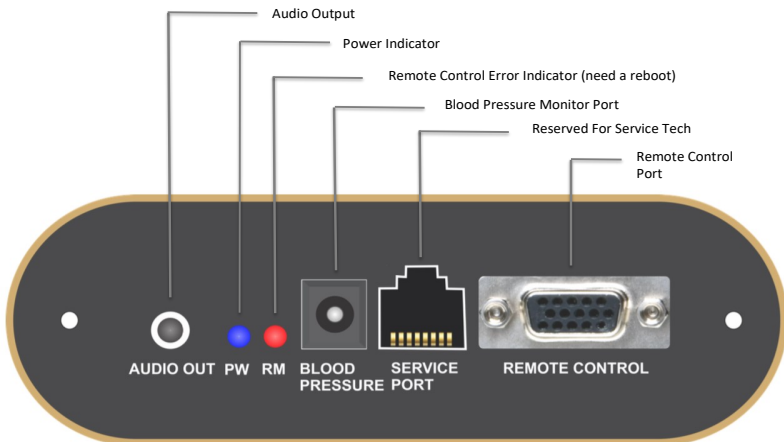


Fig.8: Side Panel

3. Plug the power cord into the back of the chair.
4. Power is turned on/off by a switch on the back (Switch to position "I" to turn on and position "0" to turn off).
5. Use the remote to choose the massage functions.

6. For Bluetooth music streaming, please see instructions (Page 16).
7. If you use headphones, please insert the connector to the audio out port as indicated on the side panel of the chair. (Fig. 8)

IV. UNDERSTANDING THE CONTROL FEATURES

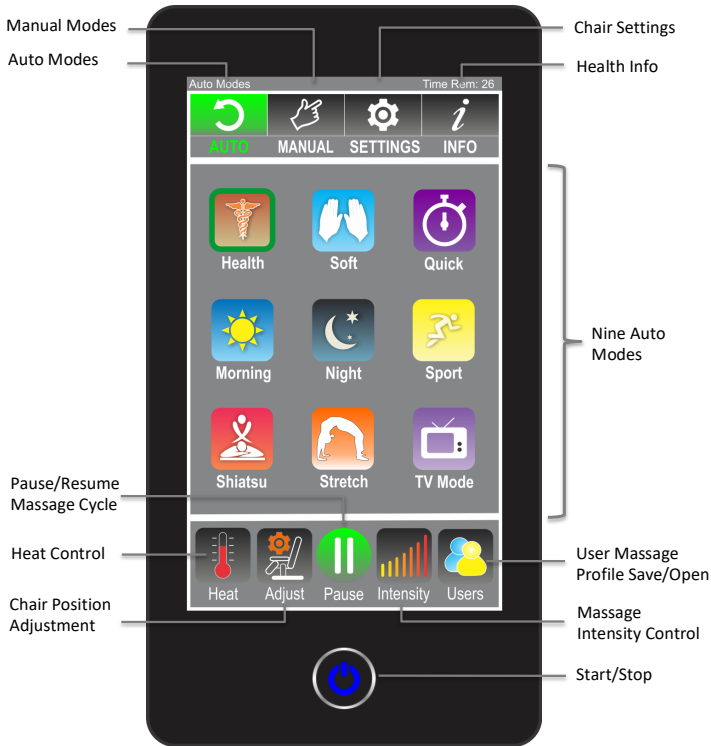


Fig.9: Control Instructions and Button Description

1. Quick Instructions for Control Main Screen

- **Auto:**
Allows user to select one of the 9 automatic massage programs.
- **Manual:**
Allows user to customize a massage profile that best fits the body needs for optimal results. After an optimized profile is created, user can save it under “Users Profile”. User can then recall the saved profile next time chair is used.
- **Settings:**
Allows user to setup system preferences and passcode protection.
- **Info:**
Displays health information related to the human body acupressure and reflexology points. It’s designed to help the user to understand and customize a massage profile that is best suited for them.
- **Heat:**
Allows user to turn on/off the heat and to adjust the heat level.
- **Adjustments:**

Allows user to adjust the chair to their preferred position. The chair position will be stored in user profile when saved.

- **Intensity:**
Unlike many other chairs on the market, the i7 gives the user control of the massage intensity for different parts of your body. Intensity levels are also stored in user profile when saved.
- **Users:**
Allows user to save customized massage profile, chair position, and intensity levels.

Start/Stop the chair

Starts or Stops the massage chair. The default timer for each massage session is 20 minutes. Pressing this button a second time will put the chair back to its initial position automatically.

When time is up, if the sleep setting is checked, the chair maintains its position to avoid sleep disruption.

2. Automatic Massage Modes

- **Health Massage Mode:**
Specifically designed for health enhancement that mainly focuses on health aspects like to release muscle strain, improve blood flow, soothe anxiety and help to relieve depression. This mode is the default massage mode when you start the chair.
- **Soft Massage Mode:**
Applies a very soft and gentle massage throughout the body. This mode is good for relieving headaches, muscle strains and helps to improve sleep.
- **Quick Massage Mode:**
Provides a quick 10-minute full body massage. It combines the best features of all massage modes into a short cycle.
- **Morning Massage Mode:**
Designed specifically for morning use, focusing on energizing the body by providing stretching, mobilizing joints and promoting flexibility with some muscle exercise.
- **Night Massage Mode:**
Designed specifically for evening/night use to enhance sleep, focusing on relieving postural stress after a day's work. It also helps relieve anxiety, depression and headaches.
- **Sport Massage Mode:**
Geared towards people involved in sporting activities to help prevent or treat injuries. It focuses on areas of the body that are overused and stressed from repetitive and aggressive movements. It promotes flexibility, reduces fatigue, improves endurance, and reduces muscle soreness.
- **Shiatsu Massage Mode:**
Provides a high intensity and point based massage with varied and rhythmic pressure on different parts of the body. It helps relieve severe tension in muscles and connecting tissues, relieves blockages and rejuvenates the body.
- **Stretch Massage Mode:**
Provides stretching and promotes mobility throughout the body. It relaxes

muscles, enhances muscular coordination, helps improve posture/flexibility and provides a greater sense of well-being.

- **TV Mode:**
Puts the chair into a comfortable position for watching TV.

3. Manual Massage Modes

The i7 PLUS allows users to easily customize the massage profile and save them under 5 different user profiles. Touch a button on the body diagram screen to **add or remove** the massage for specific parts of the body. For back massage, first select a back area, then press more for massage options. The selected massage profiles will be highlighted in a green color on the buttons (Fig.10).

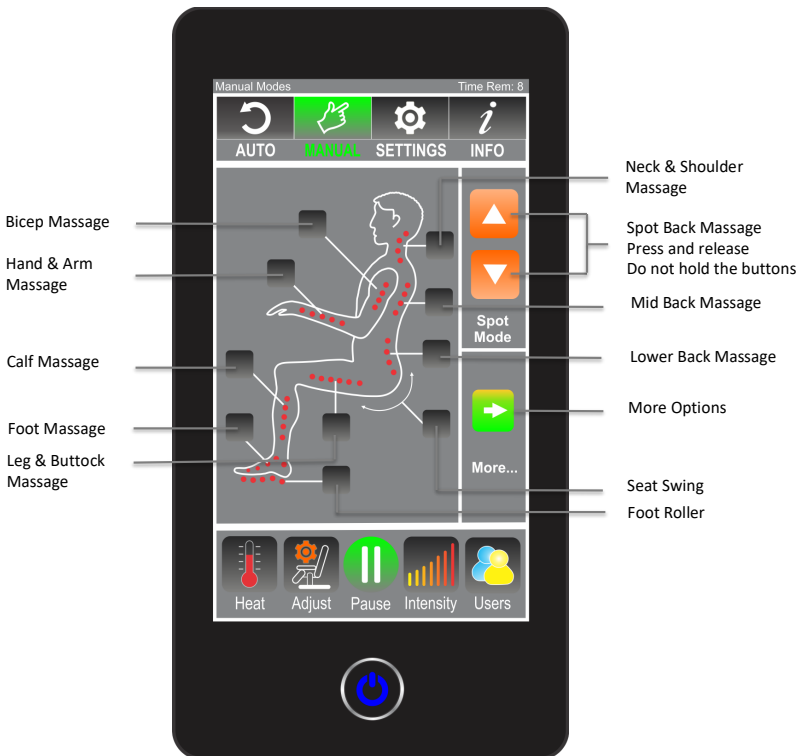


Fig.10: Manual Mode Descriptions



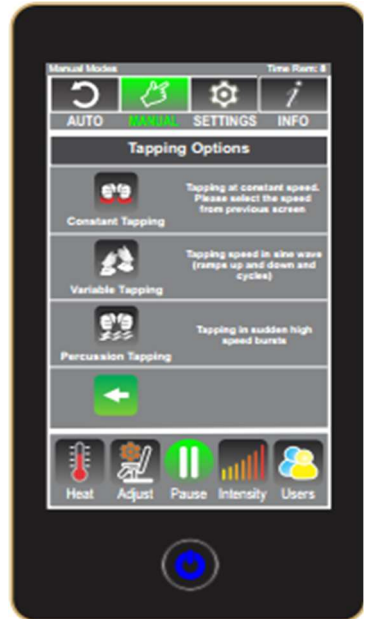
Program is active



Program is inactive



Manual Mode – Second Screen



Manual Mode – Third Screen

4. System Settings

Allows for the setup of system preferences and passcode protection (Fig.11).

Note: The default passcode to unlock all features of the chair is: 1111



Fig.11: System Setting Description

5. Bluetooth Music Streaming

The iRobotics 7 PLUS uses an integrated, high-quality and high-power (10 Watts) speaker system using the latest Bluetooth technology for music streaming.

Connecting to the Luraco Bluetooth speakers is just like connecting to any other Bluetooth device in your home.

The chair comes with the Bluetooth turned off. To activate go to Settings, choose Bluetooth, and check box. Please refer to your phone Manufacturer's Handbook for guidelines but generally speaking, these are the steps to be followed

How to turn Bluetooth on: On your Smartphone, Tablet or Laptop (that has the Bluetooth feature):

1. Go to Bluetooth setting.
2. Select **Search for available Devices**
3. Select - "**Luraco**" and **pair together**. If "**Luraco**" is not visible on the device, reboot the chair and/or the device.
4. Play whatever is wanted on your **Smartphone, Tablet or Laptop**
5. Listen, relax and enjoy.

How to turn Bluetooth off: On your Smartphone, Tablet or Laptop (that has the Bluetooth feature):

1. Go to Bluetooth setting.
2. Select "**Luraco**" and choose disconnect.
3. On Chair, go to **Settings** and Choose Bluetooth
4. Uncheck Bluetooth – feature is now deactivated.

Note: When Bluetooth is connected, the chairs voice response features will be muted. Disconnecting Bluetooth will resume the voice response features automatically.

Some Helpful Tips When Using Luraco Medical Massage Chairs

1. Sit back and relax with your head resting against the backrest for body scan and shoulder detection. During the body scan process, please do not operate the remote control.
2. For a more accurate body scan, move the pillow up or flip it to the back.
3. If you prefer a stronger neck massage, please flip the pillow to the back.
4. Footrest extension sensor is located right below the right heel. Pressing on this sensor will extend the footrest. For accurate measurement, please place your heel all the way in and back.
5. If you prefer a stronger foot massage, please remove the gentle pads located on top the foot rollers and right below the leather cover.
6. If you want to skip the body scan and get directly to a massage, you should first save a user profile and open it.
7. **Luraco iRobotics 7 PLUS implements a high-speed processor and advanced embedded operating system (OS) and complex software applications. Thus, it requires system reboot sometimes for software to reset and sensors and electronics to be reinitialized. We recommend a chair reboot whenever you feel a chair reset is needed.**

6. Chair Adjustment

Allows user to adjust the chair to their preferred position. The chair position will also be stored under user profile when saved. (Fig.12).



Fig.12: Chair Adjustment:
This screen allows user to manually adjust the chair

7. Intensity Adjustments

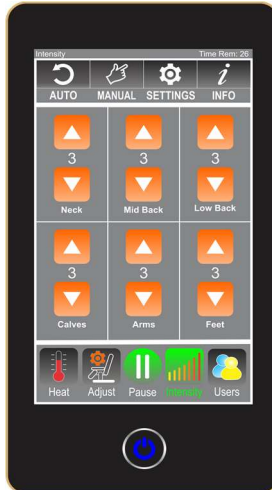


Fig.13 Intensity Adjustment
This screen allows user to manually adjust massage intensity

8. Health Information

Health Benefits of Massage

Massage is the manipulation of superficial layers of muscle and connective tissue to enhance the function and promote relaxation and well-being. Peer-reviewed medical research has shown that the benefits of massage include pain relief, reduced anxiety and depression, and temporarily reduces blood pressure, heart rate, and state of anxiety.

- **Pain and stress relief:** Relief from pain due to muscle-related injuries and other causes is cited as a major benefit of massage. In one study, cancer patients self-reported symptomatic relief of pain. Acupressure or pressure point massage could be beneficial in relieving back pain.
- **State of anxiety:** Massage has been shown to reduce a state of anxiety.
- **Depression:** Massage has been shown to reduce sub-clinical depression.
- **Blood pressure and heart rate:** Massage has been shown to reduce blood pressure and heart rate as temporary effects.
- **Sleep better:** Massage has been shown to help improve deep sleep at night.



Fig.14: Body Acupressure & Reflexology Points



Fig.15: Foot and Hand Acupressure & Reflexology Points

VI TROUBLESHOOTING THE MESSAGE CHAIR

Luraco iRobotics 7 PLUS Series comes with advanced state-of-the-art electronics and software technology which support self-diagnostic features to detect individual failures of critical components in the massage system. The chair has different LED indicators, which help the user to narrow down a troubleshooting failure, if any. See Table 1 below for LED Function/Color Chart. (See Fig. 8 for panel location)

LED Function/Color	Meaning
Power (Blue)	Blue means power supply is good. The blue LED should be on continuously.
Control (Red)	If this Red LED is on, it means the control is not properly connected, has technical issue, or is still booting up.

Table 1: LED Function

Problem/Issue	Possible Cause	Trouble Shooting Method
ALWAYS TRY THIS FIRST		Reboot the chair by turning power switch on the back of the chair OFF, wait at least 10 seconds before turning it back ON
Chair does not function properly	<ol style="list-style-type: none"> 1. Bad connection between power plug and socket 2. Remote cable connection 3. No power at outlet 4. Bad fuse 	<ol style="list-style-type: none"> 1. Unplug and reconnect power cord again 2. Check remote connection, press power button on remote 3. Check to make sure power is available at the wall outlet 4. Replace with fuse of exact ratings
Tapping or humming sounds	Sounds from air valves or air compressor	Normal phenomenon
Shoulder detection not accurate	Sensor may be out of calibration	Adjust the shoulder position manually and save to your user's setting
Abnormal noise while working	May be from over working the massage mechanism	<ol style="list-style-type: none"> 1. Reduce massage intensity 2. Some parts may need grease
Suddenly stops working	<ol style="list-style-type: none"> 1. Bad power connection 2. Auto program timer is done 	<ol style="list-style-type: none"> 1. Unplug and reinsert power cord to the chair 2. Normal operation
Loud buzzing sound from speakers	<ol style="list-style-type: none"> 1. Speaker malfunction 2. Bad connection between chair and speaker 	Reboot the chair
Cannot restore position after reclining	Lost power or calibration	Reboot the chair
Remote control is warm	Over recommended usage	Normal phenomenon
Noise from foot roller	Bearings need lubricating	Add grease to all the bearings
Footrest does not extend automatically	Boot-up sequence error	Reboot the chair without a user in it
Footrest does not retract to off position at the end of massage cycle	Safety mechanism has been triggered by an inaccurate body scan.	Remove feet/legs from footrest and it will retract to the off position. You will need to redo body scan before next massage.
Remote screen is locked	Password protection is enabled	Enter default password "1111" to unlock or access all features of the chair

Table 2: Trouble Shooting Guide



WARNING: Unplug the power cord before attempting any troubleshooting or service.

Note: If problem(s) are not found in the trouble-shooting guide, please turn off power supply and contact the manufacturer for assistance.

MAINTENANCE INSTRUCTIONS:

This product should be maintained on a regular basis to promote cleanliness and to keep the mechanical internal system in optimal working order. It is important to keep the chair free of dust and debris to ensure it runs smoothly and to prevent damage or injuries during operation. Some mechanical parts should also be adjusted and in some cases, lubricated periodically to keep it in good working order. Use only leather care products for cleaning and maintaining the leather.

Note: Always turn off power switch and unplug the power cord before cleaning or servicing the chair.

User Weight	Up to 300 lbs.
User Height	Up to 6' 7"
Power Consumption	~150 Watts (Max)
Recline Angle	120-170 Degrees
Roller Track Length	32 in (81 cm)
Pre-programmed Functions	9
Automatic Timer Shut-Off	20 Minutes
Leg Rest Adjustment	~ 10 inches
Chair Weight	~ 265 lbs. (120 kgs)
Max Height (Reclined)	47 in (119 cm)
Max Width (Reclined)	38 in (96 cm)
Max Length (Reclined)	81 in (205 cm)

Table 3: iRobotics 7 PLUS Series Specifications

VII. WARRANTY INFORMATION

Introduction

Luraco Health & Beauty LLC is dedicated to offering our valued customers the best massage chair buying experience available. As part of this commitment, the company works very hard to provide customers with the best warranty plan available. We guarantee any defective massage chair will be repaired or replaced during the effective warranty period.

What is covered in this warranty:

1) For Home Use:

- This warranty includes parts and in-home labor costs covered for the first 3 years at no cost to customer.
- This warranty includes an additional two (2) years for parts at no cost to the customer.

Products	Application	In-House Service	Parts	Structural Frame
iRobotics 7 Series	Home Use	3 (Years) *	5 (Years)	5 (Years)

2) For Commercial Use:

- This warranty includes parts and labor costs covered for the first 6 months at no cost to the customer.
- This warranty includes an additional 6 months for parts at no cost to the customer.

Products	Application	In-House Service	Parts	Structural Frame
iRobotics 7 Series	Commercial Use	6 (Months) *	1 (Year)	1 (Year)

* Does not include Alaska, Hawaii, Puerto Rico, or International sales

What is NOT covered:

- This warranty does not cover any loss or damage resulting from: improper installation, alterations or modifications of original condition, or unauthorized repairs.
- This warranty does not cover damage resulting from improper use of electrical/power supply, electrical disturbances and power surges, cracked remote control screens, cosmetic changes, improper operating environment, or damage caused by animals or liquids of any kind.
- This warranty does not cover damages from floods, storms, fire or other natural disasters
- This warranty does not include any shipping expenses incurred.
- This warranty does not apply to normal wear and tear including leather or fabric covering.
- The warranty does not apply if the product has been damaged physically, whether intentional, accidental or by neglect: including but not limited to stains, fluids, mold, water damage, pet or insect damage, cuts, burns, loss of use during the period the product is at a repair facility, or otherwise awaiting parts or repair; and products purchased from unauthorized dealers.
- Unnecessary service. If no problem is found by service technician, you may be charged for service calls, labor, and travel costs.
- Display models that have been on showroom floor for more than twelve (12) months are not covered under this limited warranty.
- Warranties are non-transferable and apply only to the original purchaser at the original location. If moving, please contact Luraco at 817-633-1080 before you move for more details.

Implied Warranty

Any implied warranties shall be limited to the duration of the 3-year portion of this warranty for home use and 6-month portion of this warranty for commercial use. With regard to structural frame, it is limited to the duration of the 5-year portion of this warranty for home use, and 1-year portion of this warranty for commercial use.

In no case will Luraco Health & Beauty LLC be liable for incidental or consequential damages, whether such damages are claimed on basis of breach of warranty, breach of contract, negligence or strict/product liability, including without limitation, damage to property (other than the product) or other economic losses.

Luraco Health & Beauty LLC shall not be liable for any personal injury, property, or any incidental or consequential damages of any kind resulting from malfunctions, defects, misuse, improper installation or alteration of this product.

Extended Warranty Plan

Luraco's massage chairs come with a high expectation of performance and reliability, and should last for many years. However, all products have a defective rate. If something does go wrong, Luraco Health & Beauty LLC offers a purchased Extended Warranty Plan.

The Extended Warranty Plan provides home use customers an additional 2 years of comprehensive protection for Luraco's massage chairs. You can rest assured that your massage chair will be taken care of as soon as possible. Extended warranty must be purchased within the first three (3) years of original chair purchase.

Note: Extended warranty plan is available for in-home use application only. Luraco Health & Beauty LLC does not offer this plan for commercial use.

How to get warranty service:

- Customer may obtain service advice by contacting Luraco Health & Beauty LLC Customer Service Toll-free at 1-800-483-9930.
- Customer must provide proof of purchase to claim any warranty.
- Customer must obtain a return authorization number in order to ship the chair to a service center.

Important return Instructions:

If you need to send a chair to Luraco Health & Beauty LLC, please follow the steps below

1. Get a return authorization by calling 817-633-1080 Option 2.

2. Carefully pack the item in its original carton or other suitable box to avoid damages in shipping.

3. Before packing your unit, be sure to enclose:

- a. Your name with full shipping address and telephone number
- b. A dated receipt for PROOF OF PURCHASE

Include documentation detailing the problem you are having with your chair. All shipping cost must be prepaid by the customer.

VIII. DISCLAIMERS

Limited warranty and liability: Information in this document is believed to be accurate and reliable. However, Luraco Health & Beauty LLC does not give any representations or warranties, expressed or implied as to the accuracy or completeness of such information and shall have no liability for the consequences of use of such information.

In no event shall Luraco Health & Beauty LLC be liable for any indirect, incidental, punitive, special or consequential damages (including - without limitation - lost profits, lost savings, business interruption, costs related to the removal or replacement of any products or rework charges) whether or not such damages are based on tort (including negligence), warranty, breach of contract or any other legal theory.

Notwithstanding any damages that customer might incur for any reason whatsoever, Luraco Health & Beauty LLC aggregate and cumulative liability towards customer for the products described herein shall be limited in accordance with the Terms and conditions of commercial sale of Luraco Health & Beauty LLC.

Right to make changes: Luraco Health & Beauty LLC reserves the right to make changes to information published in this document, including without limitation specifications and product descriptions, at any time and without notice. This document supersedes and replaces all information supplied prior to the publication hereof.

Suitability for use: Medical research has shown that the benefits of massage include pain relief and reduced depression. Overall better health and wellness have been reported with the use of massage.

However, this product is not intended to diagnose, treat, cure, or prevent any disease. It is not designed, authorized or warranted to be suitable for use in life support, life-critical or safety-critical systems or equipment, nor in applications where failure or malfunction of a Luraco Health & Beauty, LLC product can reasonably be expected to result in personal injury, death or severe property or environmental damage. Luraco Health & Beauty LLC accepts no liability for inclusion and/or use of Luraco Health & Beauty, LLC products in such equipment or applications and therefore such inclusion and/or use are at the customer's own risk.

IX. EXTENDED WARRANTY REGISTRATION

Your purchase already comes with a comprehensive 3-Year In Home Warranty.

However, you can still protect your investment with an additional 2-Year Extended Warranty, which can be purchased by calling **1-800-483-9930**.

You may also fill out the enclosed warranty registration card and mail **with payment and a copy of your receipt to:**

Luraco Health & Beauty, LLC, Warranty Dept.,
1140 107th Street,
Arlington, Texas 76011-USA.

If you have already purchased your 2-Year Extended Warranty, please register your extended warranty purchase by mailing in the warranty registration card.

Note: All fields are mandatory for processing.

The Power of American Engineering®



LURACO HEALTH & BEAUTY, LLC.

1140 107TH STREET

ARLINGTON, TX 76011, USA.

TEL: 817-633-1080

FAX: 817-633-1085

WWW.LURACOCHEAIR.COM

PLEASE READ AND SAVE THIS IMPORTANT USER'S MANUAL

© All Rights Reserved, Jun 2020

Printed in the USA