

PS-2040

Subsea Ex na Pressure Transmitter

- ✓ For high pressure applications
- ✓ Total Accuracy < 0.25 % FS
- ✓ Fast response time (2ms)
- ✓ Subsea use
- ✓ Nemko and DNV Certified
- ✓ Use in zone 2
- ✓ Use in harsh environments
- ✓ Field proven for more than 15 year



The PS-2000 family is a well proven 4-20mA output Pressure Transmitter with fast response time, high accuracy and long life time performance in harsh and hazardous environments.

By using thin-film strain gauge measuring technology, sputtered on Scan-Sense designed diaphragms, electron beam welded to an inlet, it is superior at both dynamic and static measurements of long life time and high pressure applications.

Both the design and material selection provide durable service with corrosive media, and comply with international accepted standards for materials operating in corrosive environments.

PS-2040 by Scan-Sense is digitally calibrated and temperature compensated with an analogue 4-20mA output signal in a two conductor configuration.

Extensive pressure & temperature cycling tests guarantee this pressure transmitter to be the right choice for the Marine and Oil and Gas industry.

Typical Applications are:

- ✓ Offshore equipment
- ✓ Splash zone and Subsea
- ✓ Gas & Petrochemical Processes
- ✓ Hydraulics for Lifting, Pumps etc.
- ✓ ROV and diving equipment

Technical information

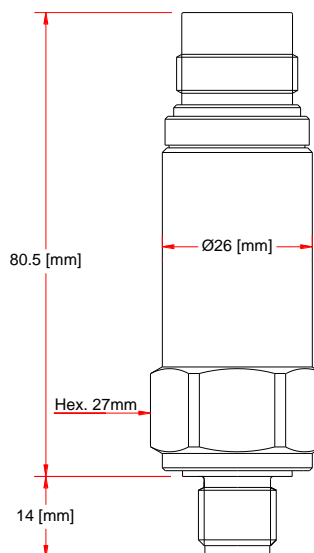
Pressure Ranges	0-10 ... 1200 bar (g)
Total Accuracy	± 0,25% of Full Scale (± 0,5% FS Range < 0 - 40bar)
Long Term Drift	< ± 0,1% of Full Scale / Year
Output Signal	4 - 20mA (2-wire configuration)
Supply Voltage	10 - 28Vdc
Typical Response Time	< 2ms
Safe Overpressure	≤ 1,5 x Full Scale (or up to 1500 bar)
Burst Pressure	> 3 x Full Scale
Ambient Temperature	-20°C to + 80°C
Medium Temperature	-40°C to + 120°C
Storage Temperature	-40°C to + 125°C
Protections	Down to 1000m depth (dry mated!) Reverse Polarity Protection
Safety Classifications	CE marking according to EU's EMC directives Atex directive 94/9EC (Dnv): Ex na II T5
Pressure Fitting	Male 1/4" BSP (others on request)
Electrical Connection	Souriau M10-Series/ Jupiter (3pins) Pin 1: Supply (+), Pin 2: Signal (-)
Materials	Wetted parts: Hastelloy C22 Sensor Housing: Stainless Steel Grade 316
Weight	0,30 Kg (0.66 lb) without cable
Documentation	Calibration and Ex Certificate

Note: Due to continuous product improvements, published specifications may change without notice.

Ordering details PS-2040

Part no:	Ranges:
5PS20H300KJ	10..20 bar
5PS20H600KJ	20..40 bar
5PS20H121KJ	40..80 bar
5PS20H221KJ	75..150 bar
5PS20H451KJ	150..300 bar
5PS20H901KJ	300..600 bar
5PS20H182KJ	600..1200 bar

K = 1/4" BSP Male, for interface please refer to drawing SK01924
Other pressure connections on request.
*Please specify Working Range and cable length when ordering
*Cable with Souriau mating connector (FED/FDED) to be ordered separately.



Scan-Sense AS is a Norwegian company specializing in design and manufacturing of high quality sensor solutions for pressure, load and force. The company has more than 28 years of experience of making tailor-made solutions for the oil and gas industry.