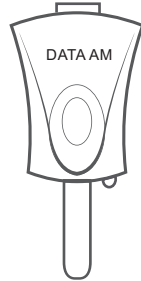


PARTS

ANTENNA



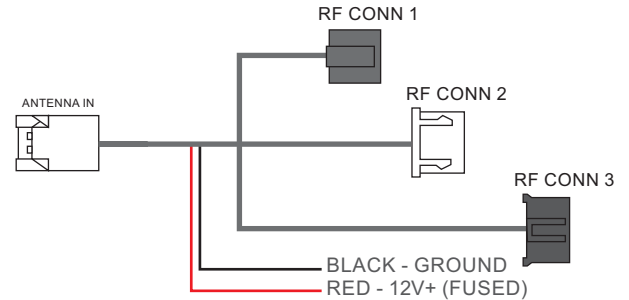
REMOTES



x2

REMOTES MAY BE DIFFERENT THAN PICTURED

DAC-ADPT



PROGRAMMING

DATA PROTOCOL SELECTION

With the Antenna plugged in and powered up:

1. Leave Ignition in OFF position
2. Press programming button (antenna button) 8x within 10 seconds (White LED will flash 2x)
3. Choose your protocol below by pressing the programming button:
 - TYPE 1 - Press 2x - ULTRA RF (Default)
 - TYPE 2 - Press 4x - iDatalink RF
 - TYPE 3 - Press 6x - Fortin RF
 - TYPE 4 - Press 8x - D2D
 - TYPE 5 - Press 10x - Future Use
4. After 3 seconds White LED will flash the number of times according to your selection.

REMOTE PROGRAMMING

REMOTE PROGRAMMING - ONLY REQUIRED FOR D2D

Follow the "Remote Programming Procedure" from the manufactures programming instructions. Visit the appropriate website or download the "RFK4BAM Full Guide" at www.ultrastarters.com

For Devices that do not have a remote coding procedure follow the procedure below.

<p>STEP 1</p> <p>Turn the Ignition ON then OFF 2x leaving it in the ON position at the 2nd time.</p>	<p>STEP 2</p> <p>Press and release the programming button on the antenna 2 times. The LED will flash 1x then 2x.</p>	<p>STEP 3</p> <p>Press and hold for 3 seconds until LED flashes turns on solid. Release programming button.</p>	<p>STEP 4</p> <p>Press the button on each transmitter. LED on antenna will flash 1x for each remote programmed.</p>	<p>STEP 5</p> <p>Turn the Ignition OFF to exit programming.</p>
---	---	--	--	--

