



SERVICE PARTS LIST

BULLETIN NO.
54-06-0425

SPECIFY CATALOG NO. AND SERIAL NO. WHEN ORDERING PARTS		REVISED BULLETIN	DATE
3/8" CORDLESS DRIVER/DRILL			Feb.'91
CATALOG NO.	0216-1	DATE CODE	870915
		WIRING INSTRUCTION SEE REVERSE SIDE	

00
0

EXAMPLE:
Component Parts (Small #)
Are Included When Ordering
The Assembly (Large #).

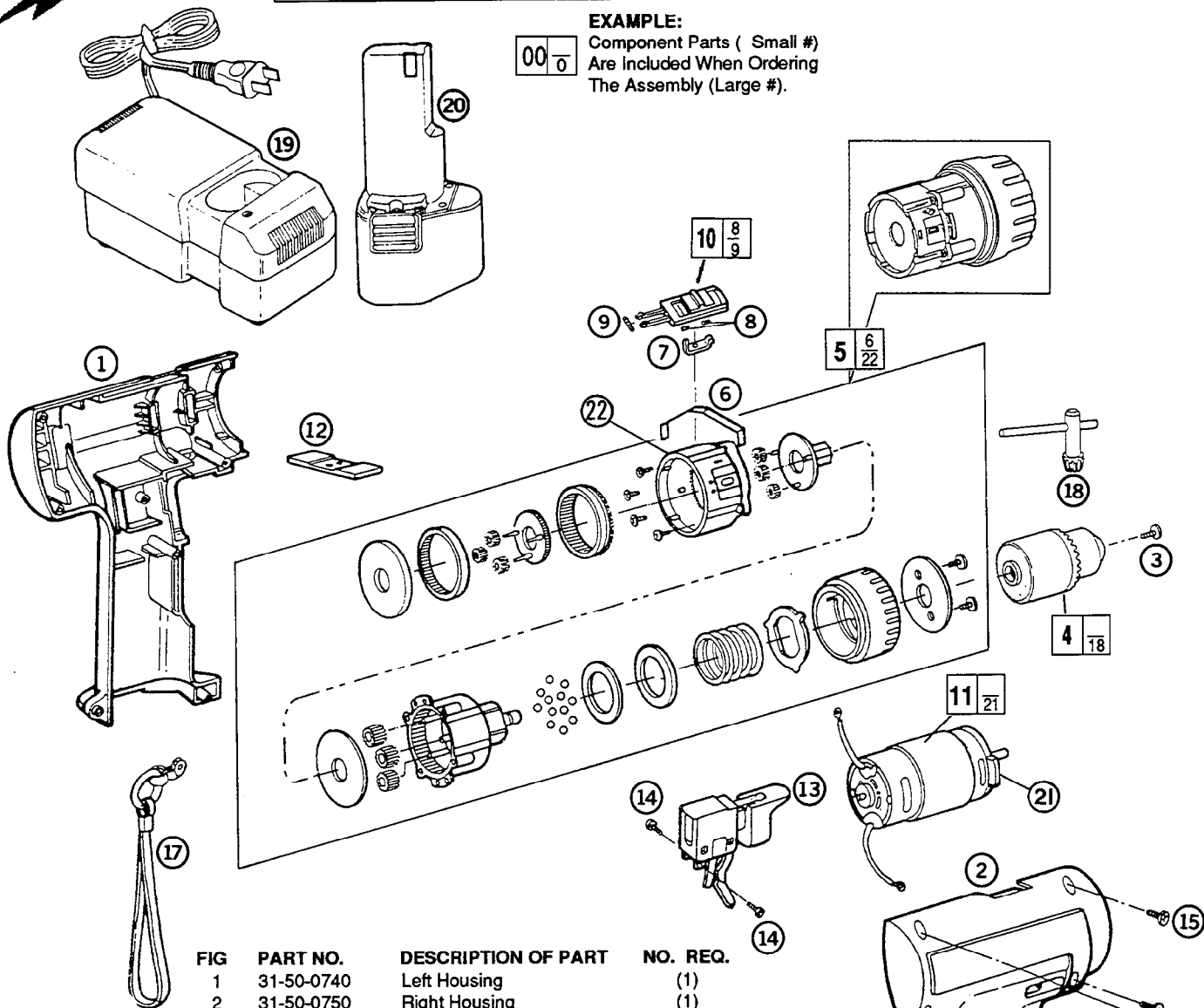
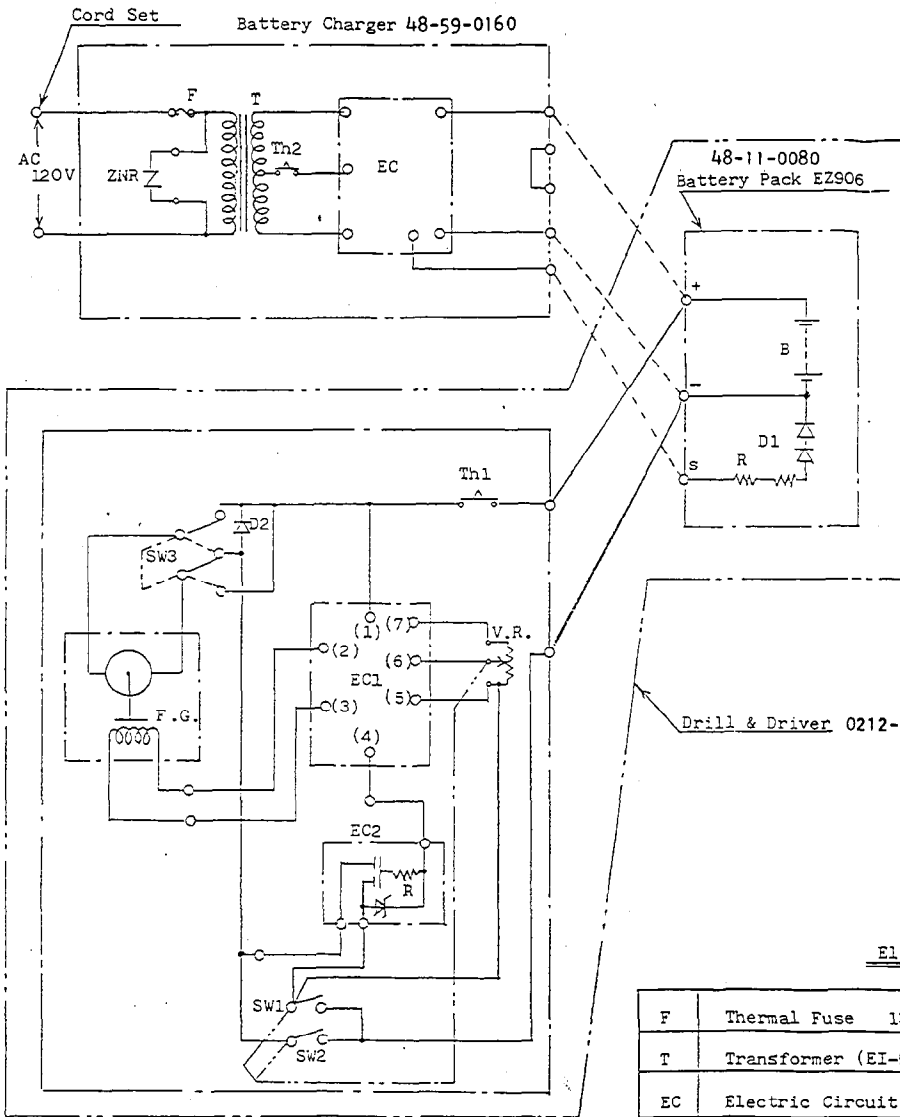


FIG	PART NO.	DESCRIPTION OF PART	NO. REQ.
1	31-50-0740	Left Housing	(1)
2	31-50-0750	Right Housing	(1)
3	45-04-0690	Chuck Retaining Screw	(1)
4	48-66-0817	Chuck	(1)
5	14-30-0690	Gear Box Assembly	(1)
6	44-10-0260	Gear Change Lever	(1)
7	42-90-0250	Gear Change Coupler	(1)
8	40-50-8230	Gear Change Handle Spring	(2)
9	40-50-8240	Gear Change Handle Spring	(1)
10	43-62-1020	Gear Change Handle	(1)
11	14-50-0480	Motor Assembly	(1)
12	43-62-1030	Fwd./Rev. Selector Handle	(1)
13	23-66-1710	Switch	(1)
14	05-82-0250	3x5 mm Phillips Fil. Hd. Sems	(2)
15	05-81-0419	Housing Screw	(6)
16	05-81-0312	Hand Strap Screw	(1)
17	45-56-0200	Hand Strap	(1)
18	48-66-3470	Chuck Key	(1)
19	48-59-0160	Battery Charger (Refer to Bulletin 54-04-0100)	(1)
20	48-11-0080	9.6 V. Battery Pack	(1)
21	44-66-5870	Motor Mount Plate	(1)
22	43-76-0590	Gear Housing	(1)

MILWAUKEE ELECTRIC TOOL CORPORATION
13135 W. LISBON RD., BROOKFIELD, WI 53005



Electric Wiring Diagram

F	Thermal Fuse	135°C
T	Transformer (EI-57)	
EC	Electric Circuit (KZ505)	
Th2	Temperature Limiting Control	125 V 12 A 90°C
ZNR	Transient Surge Absorber	

B	Storage Battery	1.2 V 1200 mAh
R	Resistor	10 ~ 195 Ω 1/4 W
D1	Diode	35 V 100 mA
Th1	Temperature Limiting Control	125 V 12 A 140°C
D2	Diode	
EC1	Electric Circuit (B X7153)	
EC2	Electric Circuit (KZ506)	
V.R.	Variable Resistor (Max 50KΩ)	
F.G.	Frequency Generator	
M	Motor	7.2 V
SW1	Switch	
SW2	Switch	
SW3	Switch	