



# SERVICE PARTS LIST

BULLETIN NO.  
54-42-0010

SPECIFY CATALOG NO. AND SERIAL NO. WHEN ORDERING PARTS		REVISED BULLETIN	DATE
CORDLESS 7.2 VOLT SCREW-SHOOTER			Nov. '95
CATALOG NO.	0388-1	STARTING SERIAL NO.	875A
		WIRING INSTRUCTION 58-01-1030	

**EXAMPLE:**

00 0 Component Parts (Small #) Are Included  
When Ordering The Assembly (Large #).

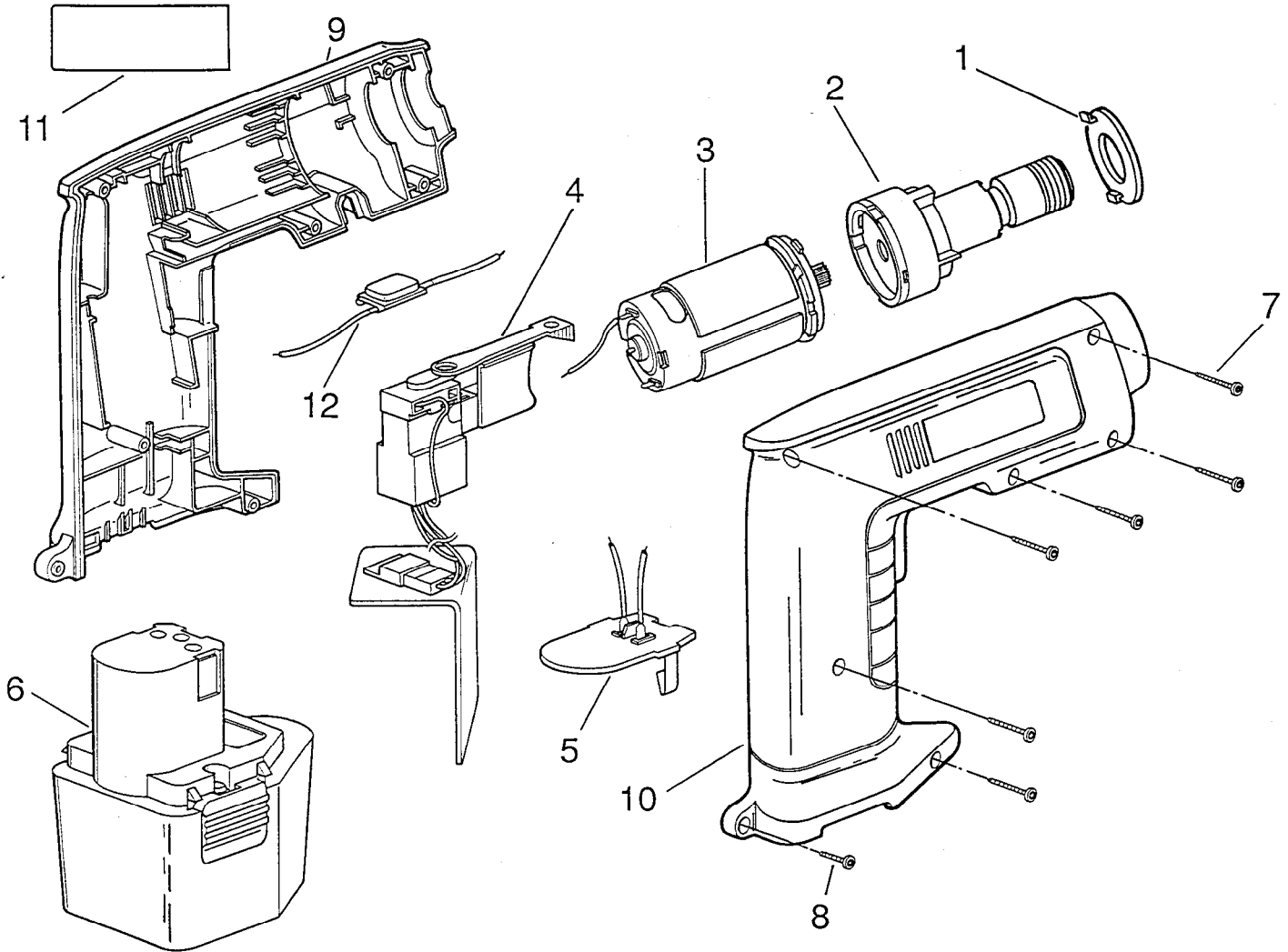


FIG.	PART NO.	DESCRIPTION OF PART	NO. REQ.
1	31-15-0495	Front Cover	(1)
2	14-30-0800	Gear Box Assembly	(1)
3	14-50-0540	Motor Assembly	(1)
4	23-66-2520	Switch With Brake	(1)
5	22-56-0600	Terminal Assembly	(1)
6	—	7.2 V. Battery Pack - Select From Catalog	(1)
7	06-82-7236	4-20 x 5/8" Plast. Pan Hd. T-10	(6)
8	06-82-7225	4-20 x 1/2" Plast. Pan Hd. T-10	(1)
9	31-50-0880	Left Housing	(1)
10	31-50-0890	Right Housing	(1)
11	10-15-1140	Logo Label	(1)
12	23-75-0100	Thermal Protector	(1)
	12-20-1270	Service Nameplate Kit	(1)

MILWAUKEE ELECTRIC TOOL CORPORATION  
13135 W. LISBON RD., BROOKFIELD, WI 53005