



SERVICE PARTS LIST

BULLETIN NO.
55-06-1250

SPECIFY CATALOG NO. AND SERIAL NO. WHEN ORDERING PARTS		REVISED BULLETIN	DATE
CORDLESS 12 VOLT CLOSE-QUARTER DRILL			Mar. '96
CATALOG NO.	0478-4	WIRING INSTRUCTION	
STARTING SERIAL NO.	864A	58-01-1620	

EXAMPLE:
Component Parts (Small #)
Are Included When Ordering
The Assembly (Large #).

00 0

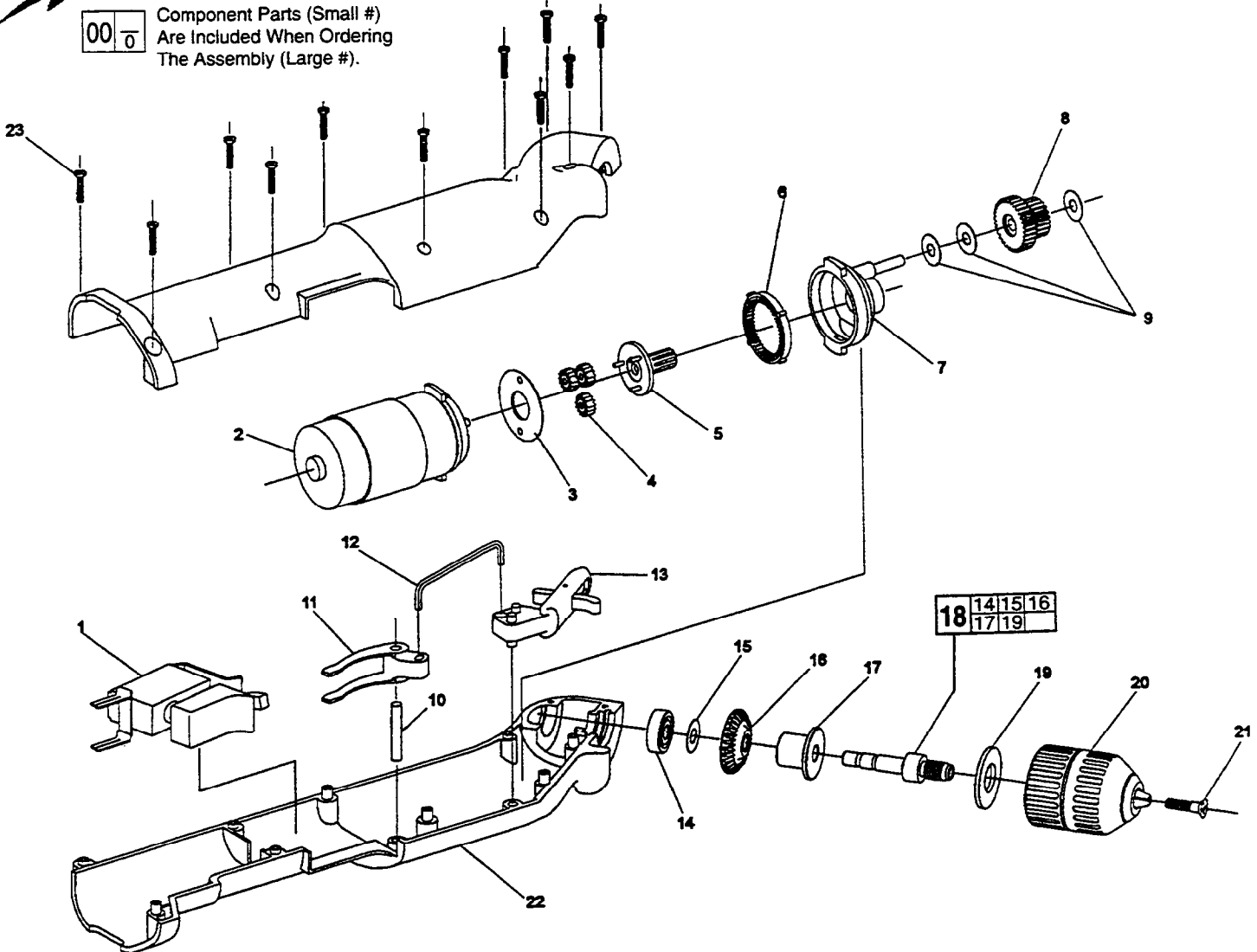


FIG.	PART NO.	DESCRIPTION OF PART	NO. REQ.
1	23-66-2320	Switch	(1)
2	14-50-0620	Service Motor Assembly	(1)
3	44-66-0860	Gear Retaining Plate	(1)
4	32-62-0130	Planet Spur Gear	(3)
5	32-60-2610	Gear Carrier Assembly	(1)
6	32-65-0040	Spur Gear Ring	(1)
7	14-30-0476	Gearcase Assembly	(1)
8	14-29-0070	Gear Cluster w/ Sleeve Bearing	(1)
9	45-88-1150	Washer	(3)
10	02-55-0170	3/16" x 1-1/4" Pin	(1)
11	31-89-0035	Bell Crank	(1)
12	44-94-0400	Push Rod	(1)
13	31-92-0330	Trigger and Lock Assembly	(1)
14	-----	Ball Bearing	(1)
15	-----	Washer	(2)
16	-----	Face Gear	(1)
17	-----	Sleeve Bearing	(1)
18	14-73-0260	Spindle Assembly	(1)
19	-----	Washer	(1)
20	48-66-0375	3/8" Keyless Chuck	(1)
21	05-88-1400	Chuck Screw	(1)
22	31-50-1300	Housing Set (Right and Left)	(1)
23	06-82-7236	4-20 x 5/8" Pan Hd. Plastite T-20	(11)

MILWAUKEE ELECTRIC TOOL CORPORATION
13135 W. LISBON RD., BROOKFIELD, WI 53005