



Operating Instructions and Parts Manual SLT-660F/1650 Scissor Lift Tables



WALTER MEIER (Manufacturing) Inc.

427 New Sanford Road
LaVergne, Tennessee 37086
Ph.: 800-274-6848
www.waltermeier.com

Part No. M-140777
Revision C 11/2010

Copyright © 2010 Walter Meier (Manufacturing) Inc.

Warranty and Service

Walter Meier (Manufacturing) Inc., warrants every product it sells. If one of our tools needs service or repair, one of our Authorized Service Centers located throughout the United States can give you quick service. In most cases, any of these Walter Meier Authorized Service Centers can authorize warranty repair, assist you in obtaining parts, or perform routine maintenance and major repair on your JET® tools. For the name of an Authorized Service Center in your area call 1-800-274-6848.

MORE INFORMATION

Walter Meier is consistently adding new products to the line. For complete, up-to-date product information, check with your local Walter Meier distributor, or visit waltermeier.com.

WARRANTY

JET products carry a limited warranty which varies in duration based upon the product (MW = Metalworking, WW = Woodworking).

90 DAY WARRANTY	1 YEAR WARRANTY	Body Repair Kits Bottle Jacks Cable Pullers Cold Saws Hoists-Air Hoists-Electric Metal forming Mill/Drills Milling Machines MW Bandsaws MW Drill Presses MW Finishing Equipment MW Lathes MW Precision Vises	2 YEAR WARRANTY	Palet Trucks Rigging Equip. Service Jacks Stackers Surface Grinders Tapping Trolleys-Air Trolleys-Electric Web Slings Winches-Electric	3 YEAR WARRANTY	WW Benchtop Tools	5 YEAR WARRANTY	Beam Clamps Chain Hoist-Manual Lever Hoists Pullers-JCH Models Scissor Lift Tables Screw Jacks Trolleys-Geared Trolleys-Plain Winches-Manual WW Air Filtration WW Bandsaws WW Buffers	WW Drill Presses WW Dust Collectors WW Dust Filters WW Dust Fittings WW Jointers WW Lathes WW Planers WW Sanders WW Shapers WW Tablesaws	LIFE LIFETIME WARRANTY	Fastening Tools Mechanics Hand Tools Striking Tools Vises (no -precision) Clamps
Warranty reverts to 1 Year Warranty if woodworking (WW) products listed above are used for industrial or educational purposes.											

WHAT IS COVERED?

This warranty covers any defects in workmanship or materials subject to the exceptions stated below. Cutting tools, abrasives and other consumables are excluded from warranty coverage.

WHO IS COVERED?

This warranty covers only the initial purchaser of the product.

WHAT IS THE PERIOD OF COVERAGE?

The general JET warranty lasts for the time period specified in the product literature of each product.

WHAT IS NOT COVERED?

Five Year Warranties do not cover woodworking (WW) products used for commercial, industrial or educational purposes. Woodworking products with Five Year Warranties that are used for commercial, industrial or education purposes revert to a One Year Warranty. This warranty does not cover defects due directly or indirectly to misuse, abuse, negligence or accidents, normal wear-and-tear, improper repair or alterations, or lack of maintenance.

HOW TO GET SERVICE

The product or part must be returned for examination, postage prepaid, to a location designated by us. For the name of the location nearest you, please call 1-800-274-6848.

You must provide proof of initial purchase date and an explanation of the complaint must accompany the merchandise. If our inspection discloses a defect, we will repair or replace the product, or refund the purchase price, at our option. We will return the repaired product or replacement at our expense unless it is determined by us that there is no defect, or that the defect resulted from causes not within the scope of our warranty in which case we will, at your direction, dispose of or return the product. In the event you choose to have the product returned, you will be responsible for the shipping and handling costs of the return.

HOW STATE LAW APPLIES

This warranty gives you specific legal rights; you may also have other rights which vary from state to state.

LIMITATIONS ON THIS WARRANTY

WALTER MEIER (MANUFACTURING) INC., LIMITS ALL IMPLIED WARRANTIES TO THE PERIOD OF THE LIMITED WARRANTY FOR EACH PRODUCT. EXCEPT AS STATED HEREIN, ANY IMPLIED WARRANTIES OR MERCHANTABILITY AND FITNESS ARE EXCLUDED. SOME STATES DO NOT ALLOW LIMITATIONS ON HOW LONG THE IMPLIED WARRANTY LASTS, SO THE ABOVE LIMITATION MAY NOT APPLY TO YOU.

WALTER MEIER SHALL IN NO EVENT BE LIABLE FOR DEATH, INJURIES TO PERSONS OR PROPERTY, OR FOR INCIDENTAL, CONTINGENT, SPECIAL, OR CONSEQUENTIAL DAMAGES ARISING FROM THE USE OF OUR PRODUCTS. SOME STATES DO NOT ALLOW THE EXCLUSION OR LIMITATION OF INCIDENTAL OR CONSEQUENTIAL DAMAGES, SO THE ABOVE LIMITATION OR EXCLUSION MAY NOT APPLY TO YOU.

Walter Meier sells through distributors only. The specifications in Walter Meier catalogs are given as general information and are not binding. Members of Walter Meier reserve the right to effect at any time, without prior notice, those alterations to parts, fittings, and accessory equipment which they may deem necessary for any reason whatsoever. JET®-branded products are not sold in Canada by Walter Meier.

Table of Contents

Warranty and Service.....	2
Table of Contents	3
Specifications	3
Assembly	4
Operation.....	5
Folding Handle for SLT-660F	5
Maintenance	5
Replacement Parts	6
Parts Breakdown for SLT-650F Scissor Lift Table.....	7
Parts List for SLT-660F Scissor Lift Table	8
Parts Breakdown for SLT-1650 Scissor Lift Table.....	11
Parts List for SLT-1650 Scissor Lift Table	12

Warnings

1. Read and understand the owner’s manual before using scissor lift table.
2. Do not load scissor lift beyond its rated capacity.
3. Do not allow people to sit or ride on scissor lift.
4. Always secure load in center of table before raising, lowering or moving scissor lift.
5. Do not transport loads in the raised position.
6. Use on smooth, level, finished floors only.
7. Pull release lever fully to allow load to descend in a controlled manner.
8. Keep hands and feet clear of table when lowering load.
9. Failure to comply with the above warnings may result in personal injury and/or property damage.

Specifications

Model Number.....	SLT-660F	SLT-1650
Stock Number	140777	140779
Capacity (lbs.)	660	1650
Maximum Height (in.).....	34-1/8	35-5/8
Minimum Height (in.).....	10-5/8	16
Table Size, L x W (in.).....	32-1/2 x 19-5/8	39-3/8 x 20-1/8
Wheel Diameter (in.)	5	5
Overall Dimensions, L x W (in.).....	42-1/2 x 19-5/8	53-1/2 x 22-3/4
Handle Height (in.).....	40	40
Strokes* to reach Maximum Height, approximate	13	15
Net Weight – approximate (lbs.).....	151	242
Shipping Weight – approximate (lbs.).....	159	251

* without load

The above specifications were current at the time this manual was published, but because of our policy of continuous improvement, Walter Meier reserves the right to change specifications at any time and without prior notice, without incurring obligations.

Assembly

Note: The SLT-660F does not require any assembly.

1. On the SLT-1650, attach the handle (A, Figure 1) to the frame using two hex cap screws, two lock washers, two flat washers. Tighten with a 19mm wrench.

Note: The two pivoting casters can be locked so that they do not rotate. Press foot lever (B, Figure 1 for SLT-1650) down to lock. Press foot lever (A, Figure 2 for SLT-660F) down to lock.

2. Attach foot lever (A, Figure 3) to the lever bracket (B, Figure 3) with one hex cap bolt, one flat washer, one lock washer (C, Figure 3). Tighten with a 14mm wrench.

⚠WARNING Keep hands and feet clear of table and scissor lift openings while lowering load. Failure to comply may cause serious injury!

3. Pump the foot lever several cycles so that the table is out of your way while attaching the cable.

Note: Place a 2" x 4" board straight up and down between the table and frame so that the table cannot come down on you while attaching the cable.

4. Route the cable (A, Figure 4) into the cable nut (B, Figure 4). Run the cable through the lowering mechanism (C, Figure 4) and pull the cable tight. Tighten the hex nut (D, Figure 4) using a 14mm wrench.

Note: You may have to turn the hex socket cap screw to line up the hole. This will allow the cable to pass through freely.

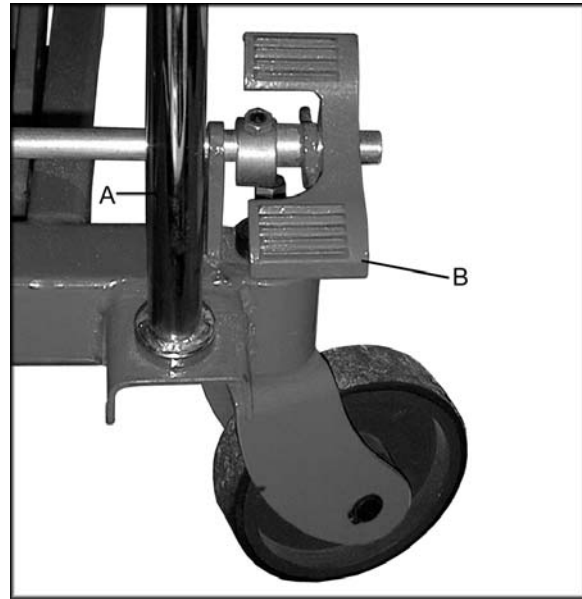


Figure 1

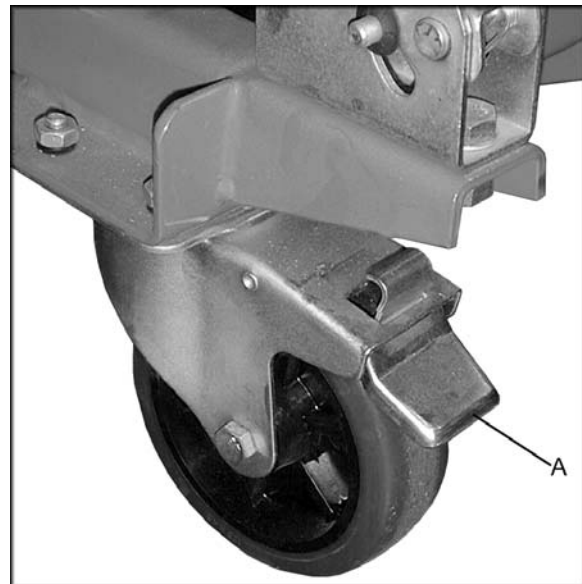


Figure 2

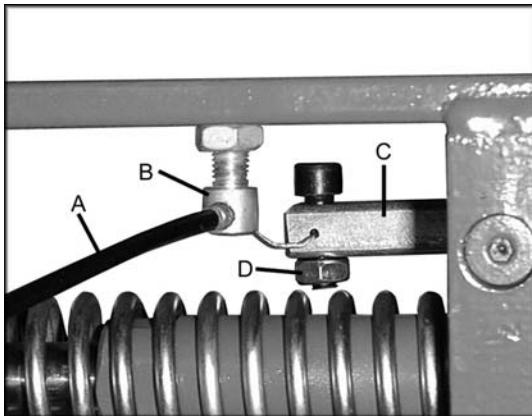


Figure 4

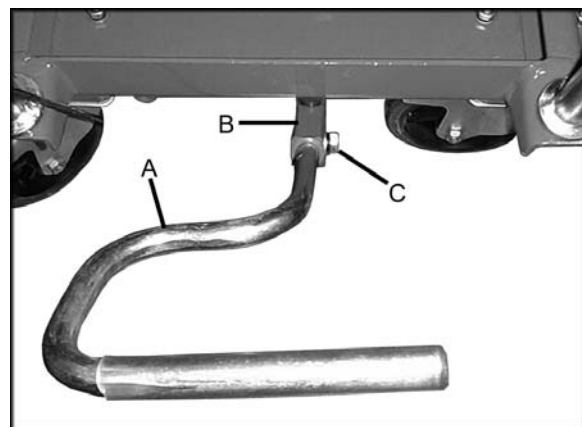


Figure 3

Operation

1. The table can be raised by pumping the foot lever.

Note: You may need to raise and lower the table several times to work any air bubbles out of the pump.

2. To lower the table, pull the release lever fully. This allows the table to lower in a slow, controllable manner.
3. Before loading, always lock the caster brake.

Folding Handle for SLT-660F

1. Lower the table.
2. Step on the rod that is located between the lower sections of the handle.
3. Fold the handle flat across the table.

Maintenance

1. Lubricate each friction point monthly with #2 tube grease.
2. Check the movement and wear of wheels.
3. Check for oil leakage from the hydraulic cylinder. Add hydraulic oil as needed.
4. Always store with table in lowered position when not in use.

Troubleshooting

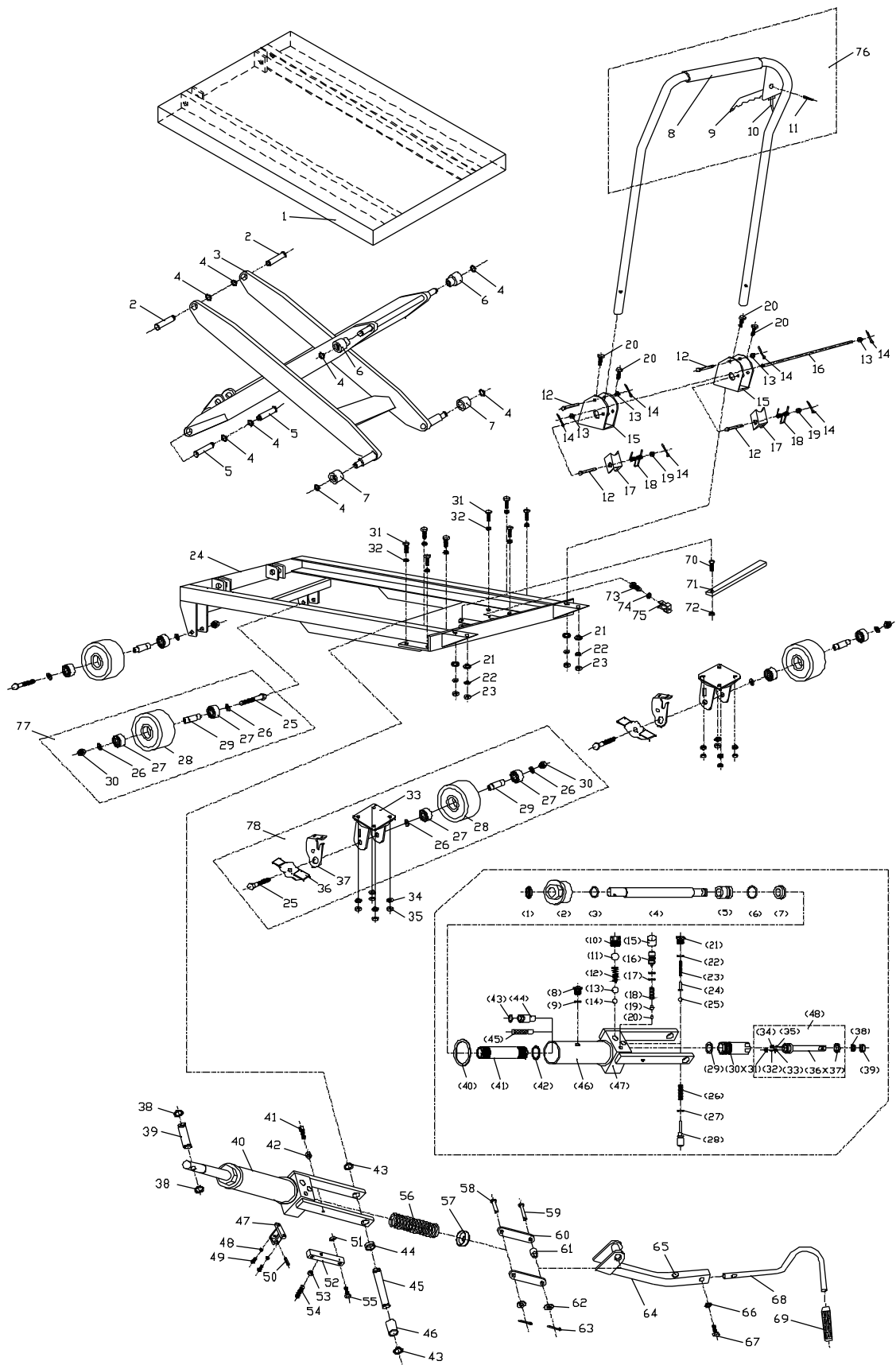
The numbers in parentheses refer to the appropriate breakdown; 660F listed first/1650 listed second.

Trouble	Probable Cause	Remedy
Table will not lift.	Oil level low in reservoir.	Replenish reservoir.
	Lowering valve (28/29) or steel ball (25/26) is not seating.	Clean lowering valve (28/29) or steel ball (25/26) or replace.
	Steel ball (13/14) is not seating.	Clean or replace steel ball (13/14).
	Relief valve is not adjusted properly.	Reload truck within load capacity and adjust valve by pressure relief adjusting screw (54/52).
Table will not remain elevated.	Lowering valve (28/29) or steel ball (25/26) not seating properly.	Clean or replace lowering valve (28/29) or steel ball (25/26).
	Oil seal (6) or U-packing (7) is worn out.	Replace oil seal (6) or U-packing (7).
Table will not lower.	U-packing (7) is worn out.	Replace U-packing(7).
	Lowering valve plug (28/29) is clogged.	Replace lowering valve plug (28/29).
Oil leaks from lowering valve.	O-ring (27/28) is worn out.	Replace o-ring (27/28).
Oil leaks from pump cylinder.	Oil seal (38/39) or U-packing (39/40) worn out.	Replace oil seal (38/39) or U-packing (39/40).

Replacement Parts

Replacement parts are listed on the following pages. To order parts or reach our service department, call 1-800-274-6848, Monday through Friday (see our website for business hours, www.waltermeier.com). Having the Model Number and Serial Number of your machine available when you call will allow us to serve you quickly and accurately.

Parts Breakdown for SLT-660F Scissor Lift Table



Parts List for SLT-660F Scissor Lift Table

Index No.	Part No.	Description	Size	Qty
1	SLC660F-01	Table		1
2	SLT660F-06	Link Shaft		2
3	SLC660F-02	Link Assembly		1
4	SLC660F-03	C-Ring	Ø 16 mm	8
5	SLT660FH-05	Link Shaft		2
6	SLC660F-04	Roller Guide		2
7	SLT660FH-07	Roller Guide		2
8	SLT660FH-08	Handle		1
9	SLT660FH-09	Release Lever		1
10	SLT660FH-10	Cable		1
11	SLT660FH-11	Spring Pin	Ø 6 x 28 mm	1
12	SLT660FH-12	Lock Pin		4
13	SLT660F-66	Flat Washer	Ø 8 mm	4
14	SLT660FH-14	Split Pin	Ø 3 x 20 mm	6
15	SLC660F-09	Handle Bracket		2
16	SLT660FH-16	Shaft		1
17	SLC660F-15	Handle Support		2
18	SLC660F-16	Spring		2
19	SLT660FH-66	Washer	Ø 8 mm	2
20	SLT660FH-20	Hex Cap Screw	M8 x 20	4
21	SLT660F-66	Flat Washer	Ø 8 mm	4
22	SLT660F-22	Spring Washer	Ø 8 mm	4
23	SLT660FH-23	Nut	M8	4
24	SLT660FH-24	Frame		1
25	SLT660FH-25	Hex Cap Screw	M12 x 95	4
26	SLT660FH-26	Washer	Ø 12 mm	8
27	BB-6203ZZ	Ball Bearing	6203ZZ	8
28	SLT660FH-28	Wheel	Ø 5"	4
29	SLT660FH-29	Bushing		4
30	TS-2342121	Lock Nut	M12	4
31	TS-1490031	Hex Cap Screw	M8 x 20	8
32	TS-1550061	Flat Washer	Ø 8 mm	1
33	SLT660FH-33	Swivel Wheel Holder		2
34	TS-1550061	Flat Washer	Ø 8 mm	8
35	TS-1541031	Lock Nut	M8	8
36	SLT660FH-36	Brake Plate		2
37	SLT660FH-37	Stop Support		2
38	SLT660FH-38	C-Ring	Ø 18 mm	2
39	SLT660FH-39	Shaft		1
40	SLT660FH-40	Hydraulic Pump Assembly		1
[1]	SLT660F-36-1	Oil Seal*	DHS30	1
[2]	SLT660F-30-2	Top Nut		1
[3]	SLT660F-36-3	O-Ring*	Ø 36x3.5 mm	1
[4]	SLT660F-36-4	Lift Piston		1
[5]	SLT660F-36-5	Piston Bushing		1
[6]	SLT660F-36-6	O-Ring*	Ø 40 x 3.5 mm	1
[7]	SLT660F-36-7	U-Packing*	UN40	1
[8]	SLT660F-36-8	Air Breather		1
[9]	SLT660F-36-9	O-Ring*	Ø 11x1.9 mm	1
[10]	SLT660F-36-16	Valve Plug	M16x2	1
[11]	SB-12MM	Steel Ball	Ø 12mm	1
[12]	SLT660F-36-18	Spring		1
[13]	SLT660F-36-19	Steel Ball	Ø 9.525 mm	1
[14]	SLT660F-36-20	Steel Ball	Ø 6.35 mm	1
[15]	SLT660F-36-10	Relief Plug		1
[16]	SLT660F-36-11	Relief Adjusting Screw		1
[17]	SLT660F-36-9	O-Ring*	Ø 11 x 1.9 mm	2

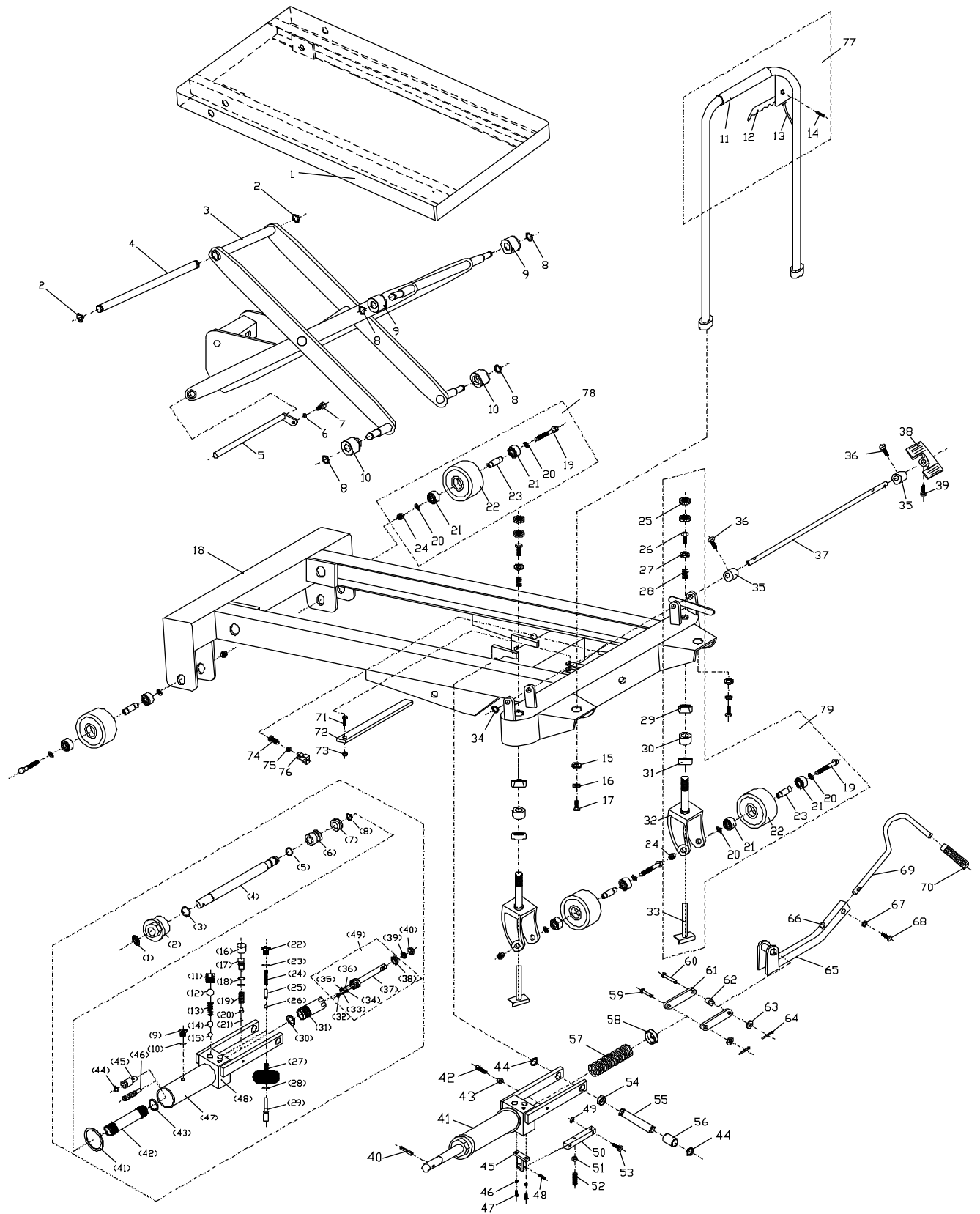
Index No.	Part No.	Description	Size	Qty
[18]	SLT660F-36-13	Spring		1
[19]	SLT660F-36-14	Steel Ball Support		1
[20]	SB-5MM	Steel Ball	Ø 5 mm	1
[21]	SLT660F-36-21	Screw	M10 x 1	1
[22]	SLT660F-36-22	O-Ring*		1
[23]	SLT660F-36-23	Spring		1
[24]	SLT660FH-40-24	Steel Ball Support		1
[25]	SB-5MM	Steel Ball	Ø 5 mm	1
[26]	SLT660F-36-25	Spring		1
[27]	SLT660F-36-26	O-Ring*	Ø 10 x 1.9 mm	1
[28]	SLT660F-36-27	Adjusting Shaft		1
[29]	SLT660FH-40-29	Inner Washer*		1
[30]	SLT660F-36-29	Pump Cylinder		1
[31]	SLT660F-36-32	Screw		1
[32]	SLT660F-36-33	Valve Plug		1
[33]	SLT660F-36-34	Spring		1
[34]	SLT660F-36-30	Screw		1
[35]	SB-5MM	Steel Ball	Ø 5 mm	1
[36]	SLT660F-36-36	Pump Piston		1
[37]	SLT660F-36-35	Oil Seal*	UHS23.5	1
[38]	SLT660F-36-37	Oil Seal*	UHS18	1
[39]	SLT660F-36-38	U-Packing*	DHS18	1
[40]	SLT660FH-40-40	Outer Washer*		2
[41]	SLT660FH-40-41	Inside Cylinder Tube		1
[42]	SLT660FH-40-42	Inside Washer*		1
[43]	SLT660FH-40-43	O-Ring*	Ø 12 x 1.9mm	1
[44]	SLT660FH-40-44	Special Lowering Valve		1
[45]	SLT660FH-40-45	Filter		1
[46]	SLT660FH-40-46	Outer Cylinder Tube		1
[47]	SLT660FH-40-47	Pump Body		1
[48]	SLT660FH-40-48	Pump Piston Assembly (index # [31] thru [37])		1
41	SLT660FH-41	Adjusting Screw	M8 x 25	1
42	TS-2311081	Hex Nut	M8	1
43	SLC660F-38	C-Ring	Ø 20 mm	2
44	SLT660FH-44	Bushing	Ø 20 mm	1
45	SLC660F-39	Shaft		1
46	SLT660FH-46	Bushing		1
47	SLT660F-67	Fixed Seat		1
48	TS-2361051	Spring Washer	Ø 5 mm	2
49	SLT660F-74	Hex Cap Screw	M5 x 14	2
50	SLT660F-69	Spring Pin	Ø 6 x 22 mm	1
51	TS-2311081	Hex Nut	M8	1
52	SLT660F-73	Fixed Board		1
53	SLT660F-70	Hex Nut	M8	1
54	SLT660F-71	Socket Set Screw	M8 x 30	1
55	SLT660F-72	Hex Cap Screw	M8 x 25	1
56	SLC660F-40	Spring		1
57	SLC660F-41	Spring Cover		1
58	SLT660FH-58	Pin		1
59	SLT660FH-59	Pin		1
60	SLC660F-42	Slide Plate		1
61	SLC660F-56	Bushing		1
62	TS-1550071	Flat Washer	Ø 10 mm	2
63	SLT660FH-63	Split Pin	Ø 3 x 30 mm	2
64	SLC660F-45	Lever		1
65	SLC660F-45A	Rubber Bumper		1
66	TS-2361081	Spring Washer	Ø 8 mm	1
67	TS-1490051	Hex Cap Screw	M8 x 30	1
68	SLC660F-46	Foot Lever		1

Index No.	Part No.	Description	Size	Qty
69	SLC660F-47	Foot Lever Pad		1
70	SLT660FH-70	Hex Cap Screw	M10 x 30	1
71	SLT660FH-71	Safety Bar		1
72	SLT660FH-72	Hex Nut	M10	1
73	SLT660FH-73	Hex Cap Screw	M6 x 10	1
74	SLT660FH-74	Spring Washer	Ø 6mm	1
75	SLT660FH-75	Spring Clip		1
76	SLT660FH-76	Handle Assembly (index # 8 thru 11)		1
77	SLT660FH-77	Front Wheel Assembly (index # 25 thru 30)		1
78	SLT660FH-78	Swivel Wheel Assembly (index # 25-30, 33-37)		1
	SLT660FH-RK	Repair Kit		1

Index numbers with brackets [] are part of the hydraulic pump assembly #40.

Parts included in the SLT660FH-RK Repair Kit are indicated by an asterisk *.

Parts Breakdown for SLT-1650 Scissor Lift Table



Parts List for SLT-1650 Scissor Lift Table

Index No.	Part No.	Description	Size	Qty
1	SLC1650-1	Table		1
2	SLC660F-38	C-Ring	Ø 20 mm	2
3	SLC1650-2	Link Assembly		1
4	SLC1650-3	Link Shaft		1
5	SLC1650-6	Link Shaft		1
6	SLT660FH-22	Spring Washer	Ø 8 mm	1
7	SLT660FH-20	Hex Cap Screw	M8 x 20	1
8	SLC1650-4	C-Ring	Ø 22 mm	4
9	SLT1650H-09	Roller Guide		2
10	SLT1650H-10	Roller Guide		2
11	SLT1650H-11	Handle		1
12	SLT660FH-09	Release Lever		1
13	SLT660FH-10	Cable		1
14	SLT660FH-11	Spring Pin	Ø 6 x 28 mm	1
15	SLT1650-29	Flat Washer	Ø 12 mm	2
16	SLT1650-61	Spring Washer	Ø 12 mm	2
17	SLT1650H-17	Hex Cap Screw	M12 x 25	2
18	SLT1650H-18	Frame		1
19	SLT660FH-25	Hex Cap Screw	M12 x 95	4
20	SLT660FH-26	Washer	Ø 12 mm	8
21	BB-6203ZZ	Bearing	6203Z	8
22	SLT1650H-22	Wheel	Ø 6"	4
23	SLT1650H-29	Bushing		4
24	SLT660FH-30	Lock Nut	M12	4
25	SLT1650H-25	Nut	M24 x 1.5	4
26	SLC1650-19	Hex Cap Screw	M10 x 25	2
27	SLC1650-21	Flat Washer	Ø 10 mm	2
28	SLC1650-22	Spring		2
29	BB-30205	Tapered Roller Bearing	30205	2
30	SLT1650H-30	Bushing		2
31	BB-6205	Ball Bearing		2
32	SLT1650H-32	Wheel Holder		2
33	SLT1650H-33	Wheel Shaft Holder		2
34	SLC660F-3	C-Ring	Ø 16 mm	2
35	SLT1650H-35	Block		2
36	SLT1650H-36	Hex Cap Screw	M8 x 25	2
37	SLT1650H-37	Brake Shaft		1
38	SLT1650H-38	Brake Pedal		1
39	SLT1650H-36	Hex Cap Screw	M8 x 25	1
40	SLC1650-41	Spring Pin	Ø 6 x 45 mm	1
41	SLT1650H-41	Hydraulic Pump Assembly		1
[1]	SLT660F-36-1	Oil Seal*	DHS30	1
[2]	SLT1650H-41-2	Top Nut		1
[3]	SLT660F-36-3	O-Ring*	Ø 36x3.5 mm	1
[4]	SLT1650H-41-4	Lift Piston		1
[5]	SLT1650H-41-5	O-Ring*	Ø 21 x 2.4 mm	1
[6]	SLT1650H-41-6	Piston		1
[7]	SLT1650H-41-7	U-Packing*	D50	1
[8]	SLC1650-4	C-Ring	Ø 22 mm	1
[9]	SLT660F-36-8	Air Breather		1
[10]	SLT660F-36-9	O-Ring*	Ø 11x1.9 mm	1
[11]	SLT660F-36-16	Valve Plug	M16x2	1
[12]	SB-12MM	Steel Ball	Ø 12mm	1
[13]	SLT660F-36-18	Spring		1
[14]	SLT660F-36-19	Steel Ball	Ø 9.525 mm	1
[15]	SLT660F-36-20	Steel Ball	Ø 6.35 mm	1
[16]	SLT660F-36-10	Relief Plug		1

Index No.	Part No.	Description	Size	Qty
[17]	SLT660F-36-11	Relief Adjusting Screw		1
[18]	SLT660F-36-9	O-Ring*	Ø 11 x 1.9 mm	2
[19]	SLT660F-36-13	Spring		1
[20]	SLT660F-36-14	Steel Ball Support		1
[21]	SB-5MM	Steel Ball	Ø 5 mm	1
[22]	SLT660F-36-21	Screw	M10 x 1	1
[23]	SLT660F-36-9	O-Ring*	Ø 11 x 1.9 mm	1
[24]	SLT660F-36-23	Spring		1
[25]	SLT660FH-40-24	Steel Ball Support		1
[26]	SB-5MM	Steel Ball	Ø 5 mm	1
[27]	SLT660F-36-25	Spring		1
[28]	SLT660F-36-26	O-Ring*	Ø 10 x 1.9 mm	1
[29]	SLT660F-36-27	Adjusting Shaft		1
[30]	SLT660FH-40-29	Inner Washer*		1
[31]	SLT660F-36-29	Pump Cylinder		1
[32]	SLT660F-36-32	Screw		1
[33]	SLT660F-36-33	Valve Plug		1
[34]	SLT660F-36-34	Spring		1
[35]	SLT660F-36-30	Screw		1
[36]	SB-5MM	Steel Ball	Ø 5 mm	1
[37]	SLT660F-36-36	Pump Piston		1
[38]	SLT660F-36-35	Oil Seal*	UHS23.5	1
[39]	SLT660F-36-37	Oil Seal*	UHS18	1
[40]	SLT660F-36-38	U-Packing*	DHS18	1
[41]	SLT1650H-41-41	Outer Washer*		2
[42]	SLT1650H-41-42	Inside Cylinder Tube		1
[43]	SLT1650H-41-43	Inside Washer*		1
[44]	SLT660FH-40-43	O-Ring*	Ø 12 x 1.9mm	1
[45]	SLT660FH-40-44	Special Lowering Valve		1
[46]	SLT660FH-40-45	Filter		1
[47]	SLT1650H-41-47	Outer Cylinder Tube		1
[48]	SLT1650H-41-48	Pump Body		1
[49]	SLT1650H-41-49	Pump Piston Assembly (index # [32] thru [38])		1
42	SLT660FH-41	Adjusting Screw	M8 x 25	1
43	SLT660F-70	Hex Nut	M8	1
44	SLC660F-38	C-Ring	Ø 20 mm	2
45	SLT660F-67	Fixed Seat		1
46	SLT660F-68	Spring Washer	Ø 5 mm	2
47	SLT660F-74	Hex Cap Screw	M5 x 14	2
48	SLT660F-69	Spring Pin	Ø 6 x 22 mm	1
49	SLT660F-70	Hex Nut	M8	1
50	SLT660F-73	Fixed Board		1
51	SLT660F-70	Hex Nut	M8	1
52	SLT660F-71	Socket Set Screw	M8 x 30	1
53	SLT660F-72	Hex Cap Screw	M8 x 25	1
54	SLT660FH-44	Bushing		1
55	SLC660F-39	Shaft		1
56	SLT660FH-46	Bushing		1
57	SLT1650H-57	Spring		1
58	SLC660F-41	Spring Cover		1
59	SLT660FH-58	Pin		1
60	SLT660FH-59	Pin		1
61	SLT1650H-61	Slide Plate		1
62	SLT1650H-62	Bushing		1
63	SLT660FH-62	Washer	Ø 10 mm	2
64	SLT660FH-63	Split Pin	Ø 3 x 30 mm	2
65	SLT1650H-65	Lever		1

Index No.	Part No.	Description	Size	Qty
66	SLC660F-45A	Rubber Bumper		1
67	SLT660FH-22	Spring Washer	Ø 8 mm	1
68	SLT660FH-67	Hex Cap Screw	M8 x 30	1
69	SLT1650H-69	Foot Lever		1
70	SLC660F-47	Foot Lever Pad		1
71	SLT660FH-70	Hex Cap Screw	M10 x 30	1
72	SLT1650H-72	Safety Bar		1
73	SLT660FH-72	Hex Nut	M10	1
74	SLT660FH-73	Hex Cap Screw	M6 x 10	1
75	SLT660FH-74	Spring Washer	Ø 6mm	1
76	SLT660FH-75	Spring Clip		1
77	SLT1650H-77	Handle Assembly (index # 1 thru 14)		1
78	SLT1650H-78	Front Wheel Assembly (index # 25 thru 30)		1
79	SLT1650H-79	Swivel Wheel Assembly (index # 19-33)		1
	SLT1650-RK	Repair Kit		1

Index numbers with brackets [] are part of the hydraulic pump assembly #41.

Parts included in the SLT1650-RK Repair Kit are indicated by an asterisk *.

TEST CERTIFICATE

COMMODITY	Scissor Lift Table
MODEL	SLT-660F
SERIAL NO.	
CAPACITY	660 lbs
TEST LOAD	lbs
DATE OF INSPECTION	
JUDGEMENT	PASSED
INSPECTOR	

TEST CERTIFICATE

COMMODITY	Scissor Lift Table
MODEL	SLT-1650
SERIAL NO.	
CAPACITY	1650 lbs
TEST LOAD	lbs
DATE OF INSPECTION	
JUDGEMENT	PASSED
INSPECTOR	



WALTER MEIER (Manufacturing) Inc.

427 New Sanford Road
LaVergne, Tennessee 37086
Phone: 800-274-6848
www.jettools.com
www.waltermeier.com