

**FIRE LIFE SAFETY INSPECTION
FOR A CERTIFICATE OF OCCUPANCY**

Most common failed items

Hazardous Electrical:

1. Exposed electrical wires.
2. Open breaker slots in main panel.
3. Broken or burned electrical plugs.
4. Broken or missing electrical switch plate and plug covers.
5. Hanging electrical and unsecured electrical wires and fixtures.
6. Open/uncovered electrical boxes.

Plumbing: Restaurants/Food service establishments

1. Minimum 1 inch air gap at floor drains and sink drains.
2. Plumbing leaks.
3. Toilet seat must be open-front (new construction).
4. Ansul system is required for commercial kitchens.

Signage Requirements:

1. Lighted exit sign with backup battery power with emergency lights.
2. Accessibility signage: at restrooms, restroom door and wall. Height from floor must be at 48" minimum and 60" maximum above finished floor.
3. Unisex toilet/bathing facilities: a combined circle and triangle symbol. Shall be located at entrance to unisex toilet room. Sign needs to be 12" in diameter. Located on the door at between 48" minimum and 60" maximum above finished floor.

Restrooms

1. Must have accessible restrooms. Please see following pages and discuss with building official.
2. Hot and cold running water.
3. Plumbing pipes under bathroom sinks must be wrapped (cut & burn protection).

Miscellaneous Items:

1. Fire extinguisher, accessible, no more than 75 feet apart, visible.
2. Fire extinguisher signage: above and visible.

Possible Miscellaneous Items:

1. Smoke alarms and CO2 alarms.
3. Accessible parking spaces, minimum of one van parking space.

GENERAL REQUIREMENTS:
SANITARY FACILITIES

LAVATORIES

GENERAL- These requirements apply to lavatory fixtures, vanities, and built-in lavatories.

NOTE: In any given single- or multiple-accommodation toilet room, only one (1) lavatory unit is required to be made accessible.

- _____ A. Minimum 30" x 48" clear space is provided in front of the lavatory that allows forward approach.
- _____ B. Required clear space adjoins or overlaps an accessible route and extends a maximum of 19" underneath the lavatory.
- _____ C. Lavatories adjacent to a side wall have a minimum 18" distance to center of fixture.
- _____ D. 34" maximum height of rim or counter above floor surface.
- _____ E. 29" minimum clearance from bottom of apron to the floor.
- _____ F. Knee clearance under front lip is a minimum of 27" high, 30" wide, and extends a minimum of 8" in depth from the front of the lavatory.
- _____ G. Toe clearance under the lavatory is a minimum of 9" high, 30" wide, and extends a minimum of 17" in depth from the front of the lavatory.
- _____ H. Drain and hot water piping is insulated or configured to prevent contact.
- _____ I. There are no sharp or abrasive elements under the lavatory.
- _____ J. Faucets are the lever type, electronically activated or approved self-closing valves (Min. 10 second open flow).
- _____ K. Faucets are operable with one hand and do not require tight grasping, pinching, or twisting of the wrist.
- _____ L. 5 lb. maximum force required to activate controls.

INTERPRETATIONS: *Possibly the most common design and construction error regarding lavatory installation is the use of models with excessive bowl depth. The required knee clearance under the lavatory must be a minimum of 27" high and extend back a minimum of 8" from the front edge. Lavatory bowls with excessive depth oftentimes restrict this required clearance even when the top of the bowl is mounted at the maximum allowed 34". This situation is of particular importance in alterations, as many older model lavatories simply cannot provide for both maximum mounting height and required knee clearance.*

GENERAL REQUIREMENTS
SANITARY FACILITIES

- important to understand that the drain piping cannot encroach into the required knee clearance. The fact that an individual's knees may be able to slip past the piping on either side is of no consequence; the minimum required clearances must be provided. To prevent possible problems, it is highly recommended that plan drawings specify lavatory models that provide a full 8" clearance from the front of the unit to any piping, and additionally provides for a maximum allowable bowl depth of 6-1/2".
-
- The required clearances between lavatories and sinks are different and should not be confused. Although California's accessibility guidelines do not presently contain specific guidelines for sinks, the ADAAG does. Lavatories require minimum knee clearances of 30" wide by 27" high by 8" deep; sinks require knee clearances that are a minimum of 30" wide by 27" high, however the depth of this clearance must maintain an absolute distance of 19" from the front of the sink. In addition, federal guidelines restrict each sink to a maximum depth of 6-1/2". See Checklist Section "SINKS" for applicable requirements.
-

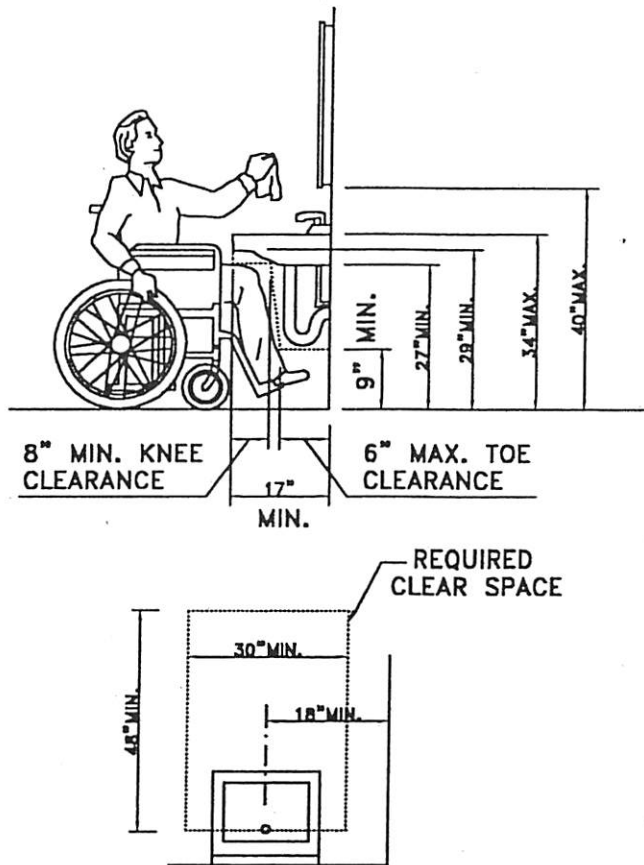
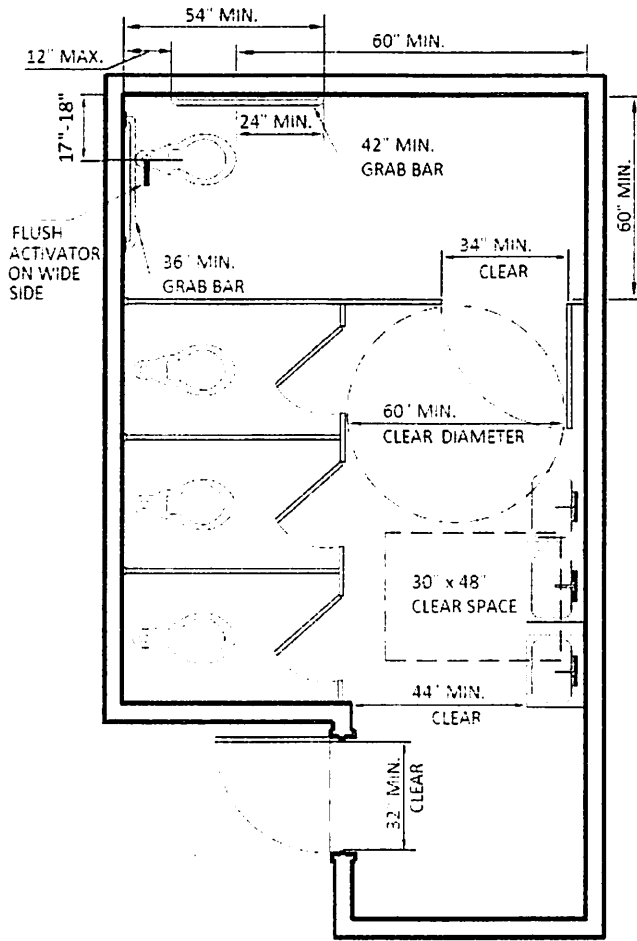


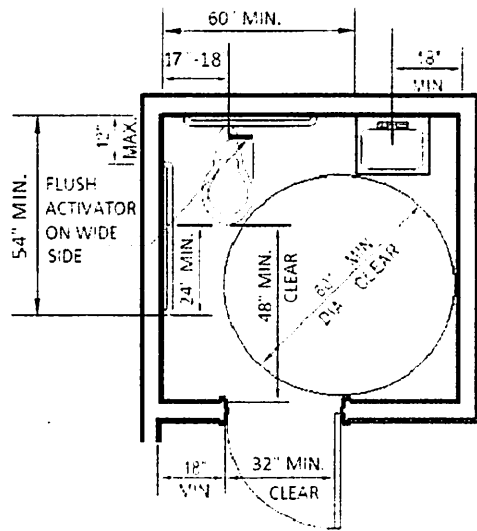
Fig.93

LAVATORIES

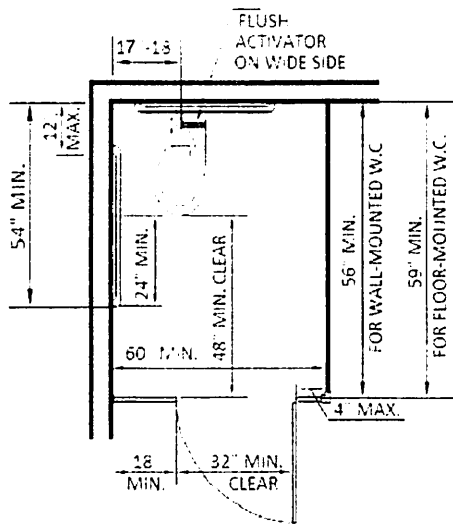
HOUSING ACCESSIBILITY



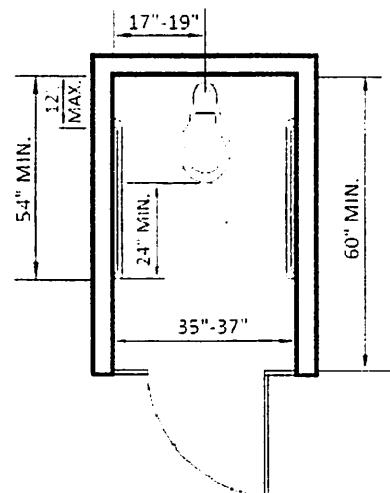
(a) MULTIPLE-ACCOMMODATION TOILET FACILITY



(b) SINGLE-ACCOMMODATION TOILET FACILITY

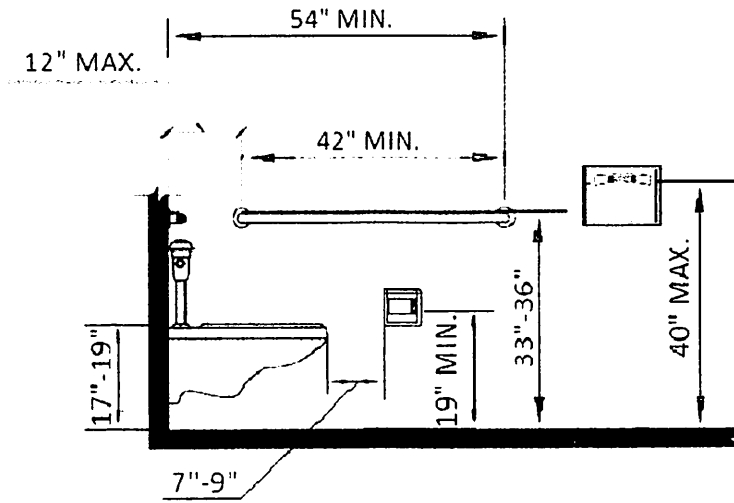


(c) ACCESSIBLE WATER CLOSET COMPARTMENT WITHIN MULTIPLE-ACCOMMODATION TOILET FACILITY

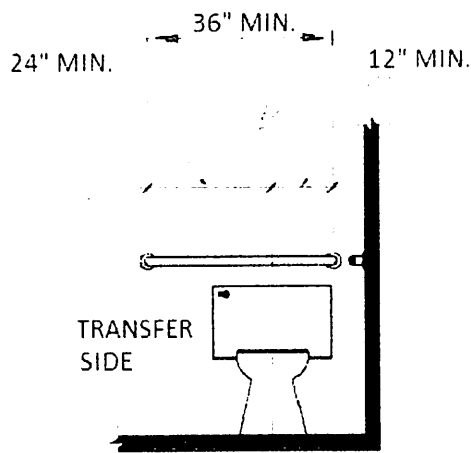


(d) AMBULATORY ACCESSIBLE COMPARTMENT

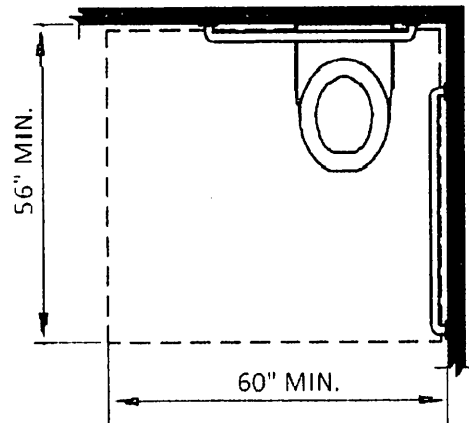
**FIGURE 11A-9A
TOILET FACILITIES**



(a) SIDE VIEW



(b) FRONT VIEW



(c) CLEAR FLOOR SPACE AT WATER CLOSETS

FIGURE 11A-9B
WATER CLOSETS