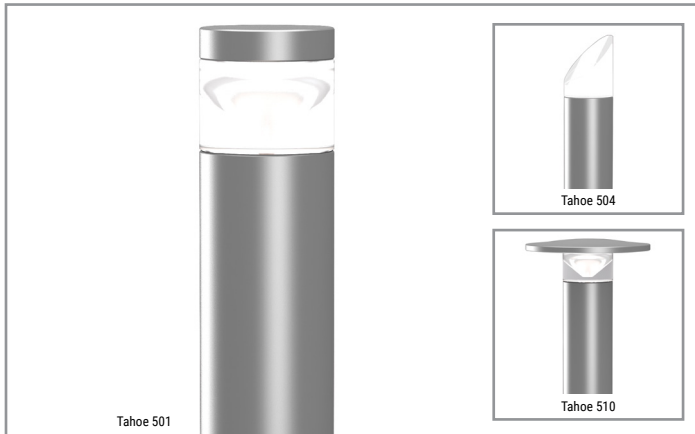


Project		Catalog #		Type	
Prepared by		Notes		Date	



Lumière

Tahoe 501, 504, 510

20W (Max.) MR16
8W LED / Halogen
Mini-Bollard

Typical Applications

- Hospitality • Commerical Landscape • Outdoor Area/Site • Residential
- Architectural

Interactive Menu

- Order Information page 2
- Product Warranty

Product Certification



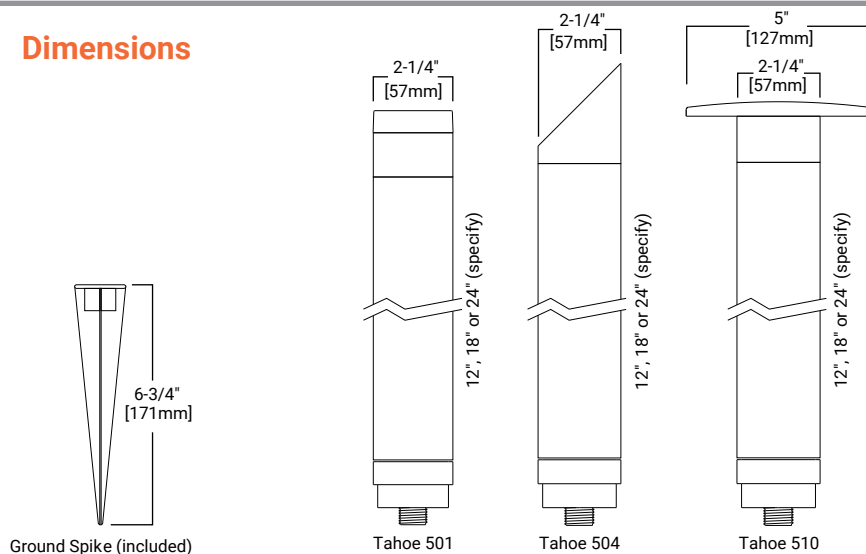
Product Features



Top Product Features

- Includes integral mounting spike for easy installation
- Machined aluminum construction
- Machined clear acrylic lens
- Stainless steel hardware
- Three-year warranty

Dimensions



TECHNICAL DATA
8W LED
20W (max.) T3
Low Voltage

Order Information

SAMPLE ORDER NUMBER: **501-12-20MR16-12-BZ**

Series	Height	Source (for LED, select from each column and combine)			Voltage	Finish
Series	Height	Source (for LED, select from each column and combine)			Voltage	Finish
501 =501 LED or Circular Outward Light Pattern Tahoe Bollard for Path and Area Lighting 504 =LED or MR16 Horizontal 90 degree Light Pattern Tahoe Bollard for Path, Driveway and Area Lighting 510 =LED or MR16 Circular Outward Light Pattern Tahoe Bollard with Reflective Crown to Cut Glare and Increase Light Throw	12 =12 inch nominal height 18 =18 inch nominal height 24 =24 inch nominal height	20MR16 =20W Max Halogen MR16, GU5.3 Base			12 =12V	Painted BK =Black BZ =Bronze CS =City Silver VE =Verde WT =White
		8LED =8W LED	27 =2700K 30 =3000K 40 =4000K*	10 =10° Spot 25 =25° Narrow 36 =36° Wide		
Notes	Notes	Notes			Notes	Notes
		* Not Title 20 compliant. Lamp Included			12V remote transformer required - not included	Consult your Eaton Lighting representative for additional options and finishes.

Product Specifications

Material

- Housing is precision-machined from corrosion-resistant 6061-T6 aluminum extrusion

Finish

- Fixture is double protected by a chromate conversion undercoating and polyester powdercoat paint finish, surpassing the rigorous demands of the outdoor environment
- Fixture housing is available in a variety of standard colors

Gasket

- Housing and mounting spike adaptor stem are sealed with a high temperature silicone o-ring gasket to prevent water intrusion

Lens

- Lens is machined from solid U.V. stabilized clear acrylic

Mounting Spike

- 6-3/4" corrosion-resistant cast zinc ground spike with 1/2" female threaded opening provided as standard (model GS01)
- It is sealed around the lead wires for rigidity and a watertight seal

Hardware

- Stainless steel hardware is standard to provide maximum corrosion-resistance

Socket

- Ceramic socket with 250° C Teflon® coated lead wires and GU5.3 bi-pin base

Electrical

- Remote 12V transformer required (not included)
- Available from Lumière as an accessory - see the Accessories & Technical Data section of this catalog for details.

Lamp

- Lamp included
- SORAA LED modules are included and are available in three color temperatures (2700, 3000 and 4000) and three distributions (spot, narrow, and flood)
- Both color temperature and distribution must be specified when ordering
- Soraa lamp compatible (8W Max)

Labels & Approvals

- Manufactured to ISO 9001-2000 Quality Systems Standard
- IBEW union made

Warranty

- Lumière warrants its fixtures against defects in materials & workmanship for three (3) years
- Auxiliary equipment such as transformers and lamps carry the original manufacturer's warranty.

* For natural bronze ROHS material consult factory.