



APPROVED BY:

Jillleen L. Ferris

8/11/2022

JILILEEN L. FERRIS, CITY ENGINEER RCE 86193 DATE



CITY OF
DESERT HOT SPRINGS

STANDARD
DRAWING
NUMBER

STANDARD PLANS
& SPECIFICATIONS

2022
(EDITION)

REV	DESCRIPTION	BY	APP'D	DATE

CITY OF DESERT HOT SPRINGS TABLE OF CONTENTS

I. TYPICAL STREET SECTIONS

101	PRIMARY I
102	PRIMARY II
102A	PRIMARY III DILLON ROAD
103	SECONDARY I
104	SECONDARY II
105	COLLECTOR
106	LOCAL COLLECTOR
107	LITTLE MORONGO ROAD

II. CURBS DRIVEWAYS & RAMPS

200	STANDARD CURB AND GUTTER
201	STANDARD STRAIGHT FACE CURB
202	WEDGE CURB (PRIVATE STREETS)
203	ASPHALT CONCRETE DIKES
204	CURB TRANSITION (WEDGE TO STANDARD)
205	JOINT DETAILS (FOR CURB, GUTTER & SIDEWALK)
206	RESIDENTIAL DRIVEWAY
207	COMMERCIAL DRIVEWAY
208	COMMERCIAL DRIVEWAY
209	ADA CURB RAMP TYPE A
210	ADA CURB RAMP TYPE B
211	CROSS GUTTER (LAYOUT)
211	CROSS GUTTER (TYPICAL SECTION)
212	RESIDENTIAL CROSS GUTTER TYPE-2 FLOW GREATER THAN 2%

III. DRAINAGE

300	CURB INLET CATCH BASIN
301	COMBINATION INLET CATCH BASIN NO. 2
302	CURB SUPPORT DETAIL CATCH BASIN INLET
303	COMBINATION CURB INLET CATCH BASIN/DRYWELL
304	STANDARD DRYWELL
305	GRATE AND FRAME DETAILS
306	CURB OUTLET
307	UNDER SIDEWALK DRAIN
308	GUTTER DEPRESSION FOR COMBINATION OPENING CATCH BASIN
309	GUTTER DEPRESSION FOR CURB OPENING CATCH BASIN

APPROVED BY:

Jilleen L. Ferris 8/11/2022
 JILLEEN L. FERRIS, CITY ENGINEER RCE 86193 DATE



CITY OF
DESERT HOT SPRINGS

TABLE OF CONTENTS

STANDARD
DRAWING
NUMBER

2022
(EDITION)

REV	DESCRIPTION	BY	APP'D	DATE

CITY OF DESERT HOT SPRINGS TABLE OF CONTENTS

IV. SIDEWALKS

400 STANDARD SIDEWALK RESIDENTIAL AREA

V. ALLEYS

500 TYPICAL ALLEY AND ALLEY APRON SECTIONS

VI. GEOMETRICS

800 CUL-DE-SAC STANDARD
 801 OFFSET CUL-DE-SAC
 802 STANDARD KNUCKLE
 803 UNDERGROUND UTILITY LOCATIONS
 804 STREET NAME SIGN
 805 UTILITY TRENCH BACKFILL
 806 STREET BARRICADE

VII. MONUMENTING

900 TIE-OUT STANDARDS
 901 STREET CENTERLINE MONUMENT
 902 TYPE "B" MONUMENT

VIII. HILLSIDE ELEVATIONS

HILLSIDE ORDINANCE ELEVATION VIEW 1
 HILLSIDE ORDINANCE ELEVATION VIEW 2
 HILLSIDE ORDINANCE ELEVATION VIEW 3A
 HILLSIDE ORDINANCE ELEVATION VIEW 3B

IV. GENERAL NOTES

2000 GENERAL NOTES (FOR ALL IMPROVEMENT PLANS)
 2001 GENERAL NOTES (FOR ALL GRADING PLANS)
 2002 STREET IMPROVEMENT NOTES (FOR ALL STREET IMPROVEMENT PLANS)
 2003 STORM DRAIN NOTES (FOR ALL STORM DRAIN PLANS)
 2004 EROSION & SEDIMENT CONTROL GENERAL NOTES
 2005 PM10 DUST MITIGATION NOTES (FOR ALL IMPROVEMENT PLANS)

APPROVED BY:

Jilleen L. Ferris 8/11/2022
 JILLEEN L. FERRIS, CITY ENGINEER RCE 86193 DATE



CITY OF
DESERT HOT SPRINGS

STANDARD
DRAWING
NUMBER

TABLE OF CONTENTS

2022
(EDITION)

REV	DESCRIPTION	BY	APP'D	DATE

STREET SPECIFICATIONS

I. OBJECTIVE & PURPOSE

THESE STREET STANDARDS AND SPECIFICATIONS ARE BASICALLY A STATEMENT OF POLICY DESIGNED TO ACHIEVE THE OBJECTIVES OF THE "GENERAL PLAN AND THE CODE OF THE CITY OF DESERT HOT SPRINGS".

THESE STANDARDS AND SPECIFICATIONS HAVE BEEN PREPARED TO ENSURE DEVELOPMENT OF ADEQUATE STREET SECTIONS FOR THE EXISTING AND PROJECTED FUTURE TRAFFIC ON THE VARIOUS CLASSES OF STREETS THROUGHOUT THE CITY THAT HAVE BEEN ADOPTED AS THE "MAJOR STREET SYSTEM" IN THE GENERAL PLAN.

THESE STANDARDS AND SPECIFICATIONS ARE ALSO TO SERVE AS A GUIDE TO SUBDIVIDERS AND DEVELOPERS IN PREPARING STANDARDIZED STREET PLANS AND INSURING ACCEPTABLE UNIFORM DESIGN OF LOCAL STREETS IN CONFORMITY WITH THE GENERAL PLAN AND CITY CODE CONCEPTS.

II. DEFINITIONS

- A. CITY CODE, AS USED HEREIN, SHALL MEAN THE OFFICIAL CODE OF THE CITY OF DESERT HOT SPRINGS AS ADOPTED BY THE CITY COUNCIL AND ANY AMENDMENTS THERETO.
- B. CITY, WHENEVER THE TERM "CITY" IS USED HEREIN, IT SHALL MEAN THE CITY OF DESERT HOT SPRINGS OR ITS AUTHORIZED REPRESENTATIVES.
- C. DIVISION OF HIGHWAY STANDARD SPECIFICATIONS, AS USED HEREIN, SHALL MEAN THE STANDARD SPECIFICATIONS, STATE OF CALIFORNIA DEPARTMENT OF TRANSPORTATION CURRENT ISSUE.
- D. PRIMARY I SHALL MEAN A DIVIDED STREET OR HIGHWAY SERVING LARGE VOLUMES OF THROUGH TRAFFIC, WITH FULL OR PARTIALLY CONTROLLED ACCESS, CARRYING TRAFFIC FROM, TO AND BETWEEN URBAN AREAS AND STATE HIGHWAYS.
- E. PRIMARY II OR III - GENERALLY A THROUGH STREET CARRYING LARGE VOLUMES OF TRAFFIC BETWEEN MAJOR ARTERIAL AND OTHER ARTERIALS, NORMALLY HAVING REASONABLE ACCESS TO ABUTTING PROPERTY.
- F. SECONDARY I OR II - A STREET THAT SERVES ABUTTING PROPERTIES WHILE ALSO BEING INTERSECTED BY A NET OF LOCAL STREETS. COLLECTOR STREETS PICK UP AND CARRY TRAFFIC TO HIGHER CLASSES OF STREETS.
- G. LOCAL COMMERCIAL AND INDUSTRIAL STREETS (EITHER COLLECTOR OR LOCAL COLLECTOR PER THE GENERAL PLAN), A STREET WHOSE PRIME PURPOSE IS TO SERVE THE ABUTTING COMMERCIAL OR INDUSTRIAL PROPERTY AND NORMALLY WITH RESTRICTED ACCESS.

- H. LOCAL RESIDENTIAL STREET (LOCAL COLLECTOR PER THE GENERAL PLAN), A STREET WHOSE PURPOSE IS TO SERVE AS AN ACCESS TO THE RESIDENTIAL ABUTTING PROPERTY, GENERALLY LESS THAN 1,320 FEET IN LENGTH.
- I. MINOR STREET, A STREET LESS THAN 600 FEET IN LENGTH WHOSE PRIME PURPOSE IS TO PROVIDE ACCESS TO A LIMITED AREA.
- J. CUL-DE-SAC, A STREET THAT DOES NOT EXTEND THROUGH TO ANOTHER STREET AND TERMINATES IN A BULB OR CIRCULAR TURN AROUND AREA. NORMAL DESIRED LENGTH LESS THAN 600 FEET.

III. DESIGN STANDARDS

A. GENERAL REQUIREMENTS

THE SUBDIVIDER OR DEVELOPER, SHALL PREPARE DETAILED STREET IMPROVEMENT PLANS FOR THE STREET THROUGH THEIR DEVELOPMENT IN ACCORDANCE WITH THESE STANDARDS AND SPECIFICATIONS.

THE PLANS SHALL BE SUBMITTED TO THE ENGINEERING DEPARTMENT FOR APPROVAL AT THE TIME OF SUBMISSION OF FINAL MAPS.

NO WORK SHALL BE STARTED UNTIL THE PLANS HAVE BEEN APPROVED. ALL WORK SHALL BE COMPLETED UNDER THE INSPECTION OF THE ENGINEERING DEPARTMENT.

AFTER COMPLETION OF THE CONSTRUCTION, THE SUBDIVIDER OR DEVELOPER SHALL CORRECT OR CERTIFY THE ORIGINAL OF THE STREET PLANS TO AS-BUILTS AND RETURN THEM TO THE ENGINEERING DEPARTMENT. AS-BUILT DRAWINGS MUST BE SUBMITTED BEFORE THE CITY WILL ACCEPT THE WORK AND RELEASE THE BOND DEPOSIT PLACED BY THE DEVELOPER OR SUBDIVIDER.

B. PLANS

THE PLANS SHALL HAVE GENERAL NOTE APPLICABLE TO THE PROJECT, WHICH ARE INCLUDED AS STD. 2000 THROUGH 2005.

THE STREET IMPROVEMENT PLANS SHALL INCLUDE A PLAN VIEW AND PROFILE OF THE STREET OR STREETS DRAWN ON 24" X 36" FEDERAL AID STANDARD OR SIMILAR SHEETS ON GOOD QUALITY MYLAR.

THE PLANS SHALL BE PREPARED IN ACCORDANCE WITH STANDARD DRAFTING PRACTICES AND THESE STANDARDS.

THE PROFILE SHALL SHOW CURB AND CENTERLINE OF STREET ELEVATION AT GRADE CHANGES AND AT CURB RETURNS, AND THE PERCENT OF GRADE BETWEEN THESE POINTS. THE PROFILE SHALL ALSO SHOW THE ELEVATION OF THE FLOW LINES OF CROSS GUTTERS AND DRAINAGE STRUCTURES.

THE PLAN VIEW SHALL SHOW BEARING AND DISTANCES BETWEEN INTERSECTIONS, CURVE DATA INCLUDING ARC LENGTH, ANGLE AND TANGENT LENGTH OF ALL STREET CENTERLINES IN SUFFICIENT DETAILS FOR ESTABLISHMENT OF THESE LINES.

THE PLAN VIEW SHALL ALSO INCLUDE ALL CURVE DATA OF CURB LINES INCLUDING ARC LENGTH, TANGENT LENGTH, ANGLE, AND STATION NUMBERS OF THE BEGINNING AND END OF CURVES AND CURB RETURNS, IN SUFFICIENT DETAIL FOR FIELD ENGINEERING AND INSPECTION.

THE PLAN VIEW SHALL ALSO SHOW THE LOCATION OF ALL DRAINAGE STRUCTURES, VALVES, MANHOLES, UNDERGROUND UTILITY VAULTS, HANDICAP RAMPS, DRIVEWAY APPROACHES, CROSS GUTTERS, CURB AND GUTTER SIDEWALK AND STREET LIGHTS EITHER EXISTING OR TO BE CONSTRUCTED. ALSO INCLUDE DETAILS, TYPICAL SECTIONS, AND ANY ITEMS NECESSARY FOR THE COMPLETION OF THE PROJECT.

WHERE STANDARD DETAILED DRAWINGS ARE REFERRED TO, THEY SHALL BE ATTACHED OR SHOWN IN DETAIL ON THE PLANS OR ON A SEPARATE SHEET.

C. STREET STANDARDS

1. FLEXIBLE PAVEMENT DESIGN: THE STRUCTURAL SECTION TO BE USED ON EACH OF THE DIFFERENT CLASSES OF CITY STREETS SHALL BE AS HEREINAFTER SPECIFIED FOR THE DIFFERENT CLASSES OF STREETS OR BASED UPON AN ENGINEERED SECTION DESIGN BY THE RESISTANCE VALUE "R" VALUE METHOD, DESIGNATED AS TEST NO. 301 – F OF THE STATE OF CALIFORNIA DEPARTMENT OF PUBLIC WORKS, DIVISION OF HIGHWAYS DESIGN MANUAL.

IN CALCULATING THESE SECTIONS, THE FOLLOWING MINIMUM TRAFFIC INDEXES SHALL BE USED:

A. PRIMARY I	MINIMUM INDEX	8
B. PRIMARY II AND III	MINIMUM INDEX	7
C. SECONDARY I AND II	MINIMUM INDEX	5 ½
D. COLLECTOR STREET		5 ½
E. LOCAL COLLECTOR		4
F. CUL-DE-SAC		3 ½

THE FOLLOWING STRUCTURAL SECTIONS ARE THE MINIMUM ACCEPTABLE TO THE CITY IN LIEU OF AN ENGINEERING SECTION:

A. PRIMARY I	4" AC 10" AGGREGATE BASE
B. PRIMARY II AND III	3" AC 8" AGGREGATE BASE
C. SECONDARY I AND II	3" AC 8" AGGREGATE BASE
D. COLLECTOR	3" AC 8" AGGREGATE BASE
E. LOCAL COLLECTOR	3" AC 6" AGGREGATE BASE
F. ALLEY/RURAL STREET	3" AC 4" AGGREGATE BASE

2. GEOMETRIC SECTIONS: THE FOLLOWING SECTIONS ARE CONSIDERED TO BE THE DESIRABLE MINIMUM ACCEPTABLE TO THE CITY. WHERE CIRCUMSTANCES AND/OR CONDITIONS WARRANT GREATER WIDTHS, ADDITIONAL R/W MAY BE REQUIRED OR RESERVED AND PROTECTED BY BUILDING SETBACK LINES.

<u>CLASS OF STREET</u>	<u>CURB TO CURB</u>	<u>RIGHT OF WAY</u>
PRIMARY I	94 FEET	110 FEET
PRIMARY II	86 FEET	110 FEET
PRIMARY III	94 FEET	110 FEET
SECONDARY I	80 FEET	100 FEET
SECONDARY II	64 FEET	80 FEET
COLLECTOR	52 FEET	72 FEET
LOCAL COLLECTOR	40 FEET	60 FEET

3. CURVE DATA: STREET AND HIGHWAY CURVES ARE TO BE DESIGNED TO SAFELY HANDLE THE NORMAL SPEED OF THE TRAFFIC FOR THE AREA AND TYPE OF STREET INVOLVED, BUT SHALL NOT BE LESS THAN THE FOLLOWING MINIMUM:

<u>CLASS OF STREET</u>	<u>CURVE RADII</u>
PRIMARY I	750 FEET
PRIMARY II, III, SECONDARY I, II	500 FEET
COLLECTOR	300 FEET
LOCAL COLLECTOR	200 FEET

CUL-DE-SAC SHALL HAVE A MINIMUM PROPERTY LINE RADIUS OF 45 FEET AND A MINIMUM CURB RADIUS OF 38 FEET.

FOR DETAIL, SEE CITY STANDARD DRAWING NO. 800.

4. STREET INTERSECTIONS: THE INTERSECTING ANGLE OF STREET CENTERLINE SHALL NOT BE LESS THAN 45 DEGREES, OPPOSING STREETS CENTERLINE SHOULD BE OPPOSITE OR HAVE AN OFFSET NOT TO EXCEED 12 FEET OR BE SEPARATED BY 150 FEET FOR RESIDENTIAL STREETS AND 200 FEET FOR OTHERS.
5. STREET GRADE: THE MINIMUM DESIRABLE STREET GRADE IS 0.50%. LESSER GRADES ARE SUBJECT TO INDIVIDUAL DETERMINATION BY THE DEPARTMENT. IN EITHER CASE, THE SLOPE OR GRADE OF CROSS GUTTERS AT INTERSECTIONS SHALL NOT BE LESS THAN 0.5%.
6. CROSS GUTTERS AND SPANDRELS: PORTLAND CEMENT CONCRETE CROSS GUTTERS AND CURB RETURN SPANDRELS ARE REQUIRED IN THE FLOW LINE OF ALL STREET INTERSECTIONS WHERE NORMAL DRAINAGE PATTERNS CROSS A STREET. THE NORMAL CROSS GUTTER IS 8 INCH THICK, PLACED UPON 8 INCH IMPORTED AGGREGATE BASE MATERIAL, 6" X 6" – 10" X 10" WELDED WIRE FABRIC PLACED THROUGHOUT THE CROSS GUTTER MAYBE SUBSTITUTED FOR THE 8 INCH OF IMPORTED AGGREGATE BASE MATERIAL. FOR PARTICULAR DETAILS, SEE CITY STANDARD DRAWING NO'S 211 AND 212.

7. CURB RETURNS: PORTLAND CEMENT CONCRETE CURB RETURNS ARE REQUIRED AT ALL INTERSECTIONS. THE NORMAL CURB RADIUS FOR THE DIFFERENT CLASSES OF STREETS ARE AS FOLLOWS:

<u>CLASS OF STREET</u>	<u>CURB RADIUS LENGTH</u>
PRIMARY I	35 FEET
PRIMARY II, III, SECONDARY I, II	35 FEET
COLLECTOR	30 FEET
LOCAL COLLECTOR	25 FEET

AT THE INTERSECTION OF TWO DIFFERENT CLASSES OF STREETS, THE LARGER RADII WILL BE USED. VARIATIONS FROM THE ABOVE IS SUBJECT TO INDIVIDUAL APPROVAL BY THE DEPARTMENT AND BASED UPON UNUSUAL CONDITIONS THAT PROHIBIT THE ABOVE RADII.

8. CURB AND GUTTER:

- a. CURBS: PORTLAND CEMENT CONCRETE STRAIGHT FACE CURB MAY BE USED ON INVERTED STREETS AND MEDIAN ISLAND. USE IN OTHER AREAS IS SUBJECT TO APPROVAL BY THE CITY. THE NORMAL CURB FACE IS 6 INCHES. FOR CONSTRUCTION DETAILS, SEE CITY STANDARD DRAWING NO. 201.
- b. CURB AND GUTTERS: PORTLAND CEMENT CONCRETE CURB AND GUTTER IS REQUIRED ON ALL STREETS EXCEPT WHERE CURB ONLY IS ALLOWED.

THE NORMAL CURB FACE HEIGHT IS 6 INCHES, AN 8-INCH CURB FACE MAY BE UTILIZED WHERE APPROVED BY THE ENGINEERING DEPARTMENT.

18-INCH WIDE GUTTERS MAY BE USED ON LOCAL RESIDENTIAL STREETS; ALL OTHER GUTTER WIDTHS SHALL BE 24 INCHES.

CURB AND GUTTERS ARE TO BE INTEGRAL CAST IN ACCORDANCE WITH CITY STANDARD DRAWINGS NO. 200.

WEDGE CURB PER CITY STANDARD DRAWING NO. 202 MAY ONLY BE USED ON PRIVATE STREETS WITH INDIVIDUAL DEPARTMENT APPROVAL.

9. DRIVEWAYS: DRIVEWAYS ARE TO BE SO DESIGNED AS TO PROVIDE THE BEST ACCESS TO THE PROPERTY SERVED WITH THE LEAST NUMBER OF OPENINGS. DRIVEWAY OPENINGS ON ARTERIAL STREETS ARE NOT DESIRABLE AND FRONTAGE ROADS MAY BE REQUIRED.

UNDER NORMAL CONDITIONS, DRIVEWAY OPENINGS SHALL NOT EXCEED 40% OF THE PROPERTY FRONTAGE. DRIVEWAY OPENINGS WILL NOT BE PERMITTED IN CURB RETURNS AND IN ANY CASE, SHALL NOT BE LESS THAN 30 FEET FROM THE CURB LINE OF THE INTERSECTING STREET, MEASURED PERPENDICULAR FROM THE CURB LINE EXTENDED.

A MINIMUM LENGTH 16 FEET OF FULL HEIGHT CURB SHALL BE MAINTAINED BETWEEN TWO DRIVEWAYS SERVING THE SAME PROPERTY.

COMMON DRIVEWAYS TO SERVE TWO (2) PROPERTIES ARE ACCEPTABLE UNDER NORMAL CONDITIONS. THE WIDTH OF A COMMON DRIVEWAY SHALL BE THE SAME FOR A SINGLE DRIVEWAY.

DRIVEWAY OPENINGS SHALL BE MEASURED ALONG THE FLAT ON DEPRESSED TYPE, AND AT THE PROPERTY LINE FOR THOSE WITH A CURB RADIUS.

THE NORMAL OPENINGS FOR THE VARIOUS ZONES ARE:

ZONE	MIN. WIDTH	MAX. WIDTH
RESIDENTIAL	10 FEET	20 FEET
COMMERCIAL	12 FEET	24 FEET
INDUSTRIAL	16 FEET	32 FEET

DRIVEWAY OPENINGS IN EXCESS OF THOSE ABOVE ARE SUBJECT TO INDIVIDUAL DETERMINATION AND PROOF WILL HAVE TO BE PROVIDED THAT THE ABOVE LIMITS WOULD NOT PROVIDE ADEQUATE ACCESS AND LIMIT THE USE OF THE PROPERTY.

ON PRIMARY AND SECONDARY STREETS WITH SPEEDS ABOVE 35 MPH, THE DRIVEWAY WIDTHS MAY BE EXTENDED 5 FEET FOR EACH MPH UP TO 45 MPH.

DEPRESSED CURB DRIVEWAYS WILL NORMALLY BE USED TO SERVE RESIDENTIAL, COMMERCIAL, AND INDUSTRIAL LOTS. THE GUTTER SECTIONS OF THE INDUSTRIAL AND COMMERCIAL DRIVEWAYS SHALL BE THICKENED AND REINFORCED, AND CONSTRUCTED IN ACCORDANCE WITH CITY STANDARD DRAWING NO. 206, 207, AND 208.

CURB RADIUS TYPE DRIVEWAY OPENINGS ARE NORMALLY USED TO PROVIDE ACCESS TO SHOPPING CENTERS AND OTHER LARGE PARKING AREAS.

THE RADIUS LENGTH SHOULD NOT BE LESS THAN THE WIDTH OF THE PARKWAY AND CONSTRUCTED IN ACCORDANCE WITH CITY STANDARD DRAWING NO. 207.

10. DRIVEWAY APPROACHES: PORTLAND CEMENT CONCRETE DRIVEWAY APPROACHES ARE REQUIRED AT ALL DEPRESSED CURB DRIVEWAYS AND SHALL EXTEND TO THE INSIDE EDGE OF THE SIDEWALK. ALL DRIVEWAYS SHALL MAINTAIN ADA ACCESSIBILITY FOR SIDEWALKS PER CITY STANDARD DRAWINGS NO. 206, 207, 208, 209, 210, AND 211.

THE SIDEWALK AREA MAY BE DEPRESSED WHERE NECESSARY FOR SAFETY PURPOSES. RESIDENTIAL APPROACHES SHALL BE 6 INCHES THICK. COMMERCIAL AND INDUSTRIAL SHALL BE 8 INCHES THICK REINFORCED, AS SHOWN ON CITY STANDARD DRAWINGS NO. 206 AND 207.

11. SIDEWALKS: PORTLAND CEMENT CONCRETE SIDEWALKS ARE REQUIRED ALONG ALL STREET FRONTAGES. THE NORMAL SIDEWALK THICKNESS IS 4 INCHES EXCEPT AS SPECIFIED AT DRIVEWAY OPENINGS. ALL SIDEWALKS SHALL PROVIDE ADA ACCESS FOR A 4' MINIMUM AT DRIVEWAYS.

THE MINIMUM ACCEPTABLE WIDTHS OF SIDEWALKS ARE AS FOLLOWS:

ZONE	WIDTH	LOCATION
RESIDENTIAL	4 FEET	ADJ. TO CURB
MULTIPLE RESIDENTIAL	5 FEET	ADJ. TO CURB
RETAIL COMMERCIAL	FULL WIDTH OF PARKWAY	ADJ. TO CURB

VARIATIONS OF THESE STANDARDS TO ALLOW FOR LANDSCAPING ARE SUBJECT TO THE APPROVAL OF THE LANDSCAPE PLAN BY THE CITY.

FOR DETAIL, SEE CITY STANDARD NO. 400.

12. UTILITY LOCATION: UNDERGROUND UTILITIES LOCATED IN THE PUBLIC RIGHT-OF-WAY WILL GENERALLY BE LOCATED AS FOLLOWS:

FACILITY	LOCATION
WATER	SOUTH AND EAST SIDE
GAS	NORTH AND WEST SIDE
SEWER	5 FEET NORTH OR WEST OF CENTERLINE
STORM DRAIN	6 FEET SOUTH OR EAST OF CENTERLINE
TELEPHONE	PARKWAY
TV CABLE	PARKWAY STREET
LIGHTS	PARKWAY
ELECTRICITY	PARKWAY

WHERE POSSIBLE, UTILITIES LOCATED BETWEEN CURB LINES WILL BE IN THE PARKING LANES OUT OF THE TRAVEL WAY. IF FEASIBLE, TELEPHONE, POWER, AND TV CABLE WILL UTILIZE A COMMON DITCH. FOR TYPICAL DETAILS, SEE CITY STANDARD DRAWING NO. 803.

13. MONUMENTS: STANDARD MONUMENTS SHALL BE SET AT ALL STREET CENTERLINE INTERSECTIONS, TANGENT POINTS OF CENTERLINE CURVE IF POSSIBLE, OR AT THE BC AND EC OF CURVES. FOR STANDARD MONUMENT DETAILS, SEE CITY STANDARD DRAWING NO. 900, 901, AND 902.

14. STORM DRAINS: STORM DRAINS SHALL BE INITIATED WHENEVER THE DEPTH OF FLOW FOR A 10-YEAR STORM EVENT WILL EXCEED THE TOP OF CURB ELEVATION FOR THE ULTIMATE STREET SECTION OR THE DEPTH OF FLOW FOR A 100-YEAR STORM EVENT WILL EXCEED THE RIGHT-OF-WAY ELEVATION FOR THE ULTIMATE STREET SECTION. STORM DRAIN FACILITIES SHALL BE DESIGN TO CONVEY THE 100-YEAR STORM EVENT FLOW RATES. THE RATIONAL METHOD SHALL BE USED FOR COMPUTING RUNOFF FOR AREAS LESS THAN 500 ACRES. ALL CALCULATIONS SHALL BE IN CONFORMANCE WITH THE RIVERSIDE COUNTY FLOOD CONTROL AND WATER CONSERVATION DISTRICTS HYDROLOGY MANUAL.

PIPE SIZES LESS THAN 12 INCHES WILL NOT BE ACCEPTABLE, AND PIPE SIZES LESS THAN 18 INCHES WILL NOT BE ACCEPTABLE WITHIN PUBLIC RIGHT-OF-WAY. THE CALCULATIONS FOR THE STORM DRAIN FACILITIES SHALL BE INCLUDED IN A REPORT WHICH INCLUDES THE HYDROLOGICAL CALCULATIONS, HYDRAULIC CALCULATIONS, AND DESIGN OF THE STORM DRAIN FACILITIES.

INLET AND OUTLET STRUCTURES SHALL BE PORTLAND CEMENT CONCRETE IN ACCORDANCE WITH CITY STANDARD DRAWINGS.

15. STREET NAME SIGNS: DOUBLE-FACED POLE TOP MOUNTED STREET NAME SIGNS SHALL BE INSTALLED AT ALL INTERSECTIONS.

THE SIGN SHALL BEAR THE STREET NAME AS APPROVED AND THE BLOCK NUMBER, AND BE INSTALLED IN ACCORDANCE WITH CITY STANDARD DRAWING NO. 804.

16. STREET LIGHTS: STREET LIGHTING IS REQUIRED ALONG ALL STREET FRONTAGES AND SHALL BE INSTALLED IN ACCORDANCE WITH SOUTHERN CALIFORNIA EDISON SPECIFICATIONS.

17. STREET TREES: STREET TREES ARE REQUIRED IN SOME INSTANCES ALONG PROPERTY FRONTAGE FOR RESIDENTIAL AND COMMERCIAL PROPERTIES. REFER TO ENGINEERING DEPARTMENT FOR APPROVAL.

18. LANDSCAPING: LANDSCAPING MAY BE ALLOWED IN THE PARKWAY AREA NOT REQUIRED FOR SIDEWALK UPON APPROVAL BY THE CITY AND ISSUANCE OF A PERMIT. ALL LANDSCAPE PLANTERS SHALL HAVE A PERMANENT IRRIGATION SYSTEM AND ALL PLANTERS OR LANDSCAPE AREAS IN THE PARKWAY BETWEEN THE SIDEWALK AND PROPERTY LINE, SHALL BE PROTECTED BY A CONCRETE CURB EXTENDING 6 INCHES ABOVE THE LEVEL OF THE SIDEWALK.

19. IRRIGATION SYSTEM: PERMANENT IRRIGATION SYSTEMS WILL BE ALLOWED IN THE PARKWAYS UPON APPROVAL OF THE SYSTEM BY THE PUBLIC WORKS DEPARTMENT AND ISSUANCE OF AN ENCROACHMENT PERMIT. THE SYSTEM SHALL BE EQUIPPED WITH AN APPROVED BACKFLOW DEVICE OR VACUUM BREAKER MOUNTED 12 INCHES ABOVE THE HIGHEST HEAD OF OUTLET. ALL CONSTANT PRESSURE LINES IN THE PARKWAY SHALL BE METALLIC, ALL OTHER LINES MAY BE PLASTIC WITH A MINIMUM OF 12 INCHES OF COVER. THE SYSTEM MAY BE MANUAL OR AUTOMATICALLY CONTROLLED.

MASTER CONTROL PANEL FOR AUTOMATIC SPRINKLERS SHALL NORMALLY BE LOCATED OUTSIDE THE RIGHT-OF-WAY LINE AND BE EQUIPPED WITH A TIGHT LOCKING COVER.

AUTOMATIC SPRINKLER VALVES, WHERE USED, SHALL BE THE NORMALLY CLOSED TYPE. ELECTRIC SPRINKLER VALVES, WHERE USED, SHALL BE LOW VOLTAGE TYPE.

20. ORNAMENTAL LIGHTING: ORNAMENTAL LIGHTING WILL BE ALLOWED IN THE PARKWAY LANDSCAPE AREA OR ON STREET TREES UPON APPROVAL OF THE

PLAN BY THE ENGINEERING DEPARTMENT AND ISSUANCE OF AN ENCROACHMENT PERMIT.

ALL WIRING SHALL BE UNDERGROUND A MINIMUM OF 18 INCHES COVERED WITH CONTINUOUS RUNS BETWEEN FIXTURES, LIGHTS AND/OR JUNCTION BOXES AND IN ACCORDANCE WITH THE NATIONAL ELECTRICAL CODE AND STATE ELECTRICAL SAFETY ORDINANCE.

ALL LIGHTS BELOW 7 FEET SHALL SHINE UPWARDS AWAY FROM THE TRAVELED WAY AND BE COVERED WITH SHIELDS AND GUARDS AND IF ATTACHED TO TREES, SHALL NOT EXTEND MORE THAN 12 INCHES FROM THE TRUNK.

THE USE OF FLASHING OR COLORED LIGHTS THAT MAY INTERFERE OR CONFLICT WITH TRAFFIC SHALL NOT BE ALLOWED.

IV. MATERIAL SPECIFICATIONS AND CONSTRUCTION DETAILS

A. CONSTRUCTION

1. GENERAL REQUIREMENTS: ALL MATERIAL AND WORKMANSHIP AND TESTING FOR STREET CONSTRUCTION REQUIRED BY SECTION 150 (BUILDING ORDINANCE REGULATIONS) OF THE CITY OF DESERT HOT SPRINGS CODE, SHALL BE IN ACCORDANCE WITH THE STATE OF CALIFORNIA, DEPARTMENT OF TRANSPORTATION STANDARD SPECIFICATIONS, CURRENT EDITION, EXCEPT AS HEREIN MODIFIED.
2. SAMPLE AND TESTING: THE DEVELOPER AND/OR APPLICANT SHALL, AT HIS EXPENSE, PROVIDE ALL THE NECESSARY SAMPLES AND TESTS THAT THE DEPARTMENT MAY REQUIRE ASSURING THAT THE QUALITY OF MATERIAL AND WORKMANSHIP ARE IN ACCORDANCE WITH CITY SPECIFICATIONS.

AT THE OPTION OF THE CITY, PRELIMINARY APPROVAL OF MATERIALS AND THE SOURCE OF SUPPLY MAY BE REQUIRED PRIOR TO DELIVERY TO THE JOB SITE.

3. DEFECTIVE MATERIALS: ALL MATERIALS NOT CONFORMING TO THE REQUIREMENTS OF THESE SPECIFICATIONS SHALL BE CONSIDERED DEFECTIVE WHETHER IN PLACE OR NOT AND ALL SUCH MATERIALS SHALL BE REMOVED FROM THE SITE UNLESS OTHERWISE APPROVED BY THE CITY. REJECTED MATERIALS, THE DEFECTS OF WHICH HAVE BEEN CORRECTED, MAY BE USED UPON WRITTEN APPROVAL OF THE CITY.
4. DUST CONTROL: THE DEVELOPER SHALL MAKE ARRANGEMENTS AND PROVIDE THE CITY WITH THE NAME AND ADDRESS AND THE TELEPHONE NUMBERS OF THE PARTIES TO BE CONTACTED SHOULD DUST CONTROL MEASURE BE REQUIRED TO KEEP THE AREA FREE AFTER REGULAR HOURS, ON WEEKENDS, AND HOLIDAYS. ALL IN-FILL CONSTRUCTION MUST ADHERE TO PM-10 RULE 403.1 AS REQUIRED. ALL TRACT CONSTRUCTION MUST ADHERE TO ALL OF THE PM-10 AND SWPPP GUIDELINES AS SET UNDER SCAQMD GUIDELINES.

5. RESPONSIBILITY: THE DEVELOPER SHALL BE RESPONSIBLE FOR ALL DAMAGES TO ONSITE, OFFSITE, AND ADJACENT UTILITIES, FACILITIES AND PROPERTIES AND SHALL CARRY SUFFICIENT INSURANCE TO PROTECT THE CITY AND ADJACENT PROPERTY.

B. MATERIALS

1. PORTLAND CEMENT CONCRETE: PORTLAND CEMENT CONCRETE FOR CURB AND GUTTER, DRIVEWAYS, SIDEWALKS, AND CROSS GUTTERS SHALL BE CLASS "B" AND FURNISHED IN ACCORDANCE WITH SECTION 30, 40, 73, AND 90 OF THE DEPARTMENT OF TRANSPORTATION, STANDARD SPECIFICATIONS, CURRENT ISSUE.

PORTLAND CEMENT CONCRETE FOR STRUCTURES SHALL BE CLASS "A" AND FURNISHED IN ACCORDANCE WITH SECTION 51 AND 90 OF THE DEPARTMENT OF TRANSPORTATION STANDARD SPECIFICATIONS, CURRENT ISSUE.

2. AGGREGATE BASE MATERIAL: AGGREGATE BASE MATERIAL SHALL BE CLASS 2 FURNISHED IN ACCORDANCE WITH SECTION 26 OF THE DEPARTMENT OF TRANSPORTATION STANDARD SPECIFICATIONS CURRENT ISSUE.
3. WEED KILLER: APPLICATION OF WEED KILLER IS REQUIRED BEFORE ANY NEW ASPHALT PAVEMENT CAN BE CONSTRUCTED. THE WEED CONTROL SHALL BE IN ACCORDANCE WITH SECTION 20-4.026 CALTRANS STANDARD SPECIFICATIONS DATED JANUARY, 1989 AND AS DIRECTED BY THE CITY ENGINEER.
4. ASPHALT CONCRETE: ASPHALT CONCRETE SHALL BE FURNISHED IN ACCORDANCE WITH SECTION 39 OF THE STATE OF CALIFORNIA, DEPARTMENT OF TRANSPORTATION, STANDARD SPECIFICATIONS EXCEPT AS FOLLOWS:

THE COMBINED MINERAL AGGREGATE SHALL CONFORM TO THE GRADING SPECIFIED FOR ½ INCH MAXIMUM, MEDIUM GRADING FOR BASE LAYER AND 3/8 INCH MAXIMUM, MEDIUM GRADING FOR THE SURFACE COURSE.

BITUMINOUS BINDER TO BE MIXED WITH THE MINERAL AGGREGATE SHALL BE STEAM-REFINED PAVING ASPHALT GRADE OF AR 1000, CONFORMING TO SECTION 92 OF THE STANDARD SPECIFICATIONS. THE GRADE OF THE PAVING ASPHALT TO BE USED WILL BE DETERMINED BY THE ENGINEER.

ASPHALT PAINT BINDER SHALL BE FURNISHED AND APPLIED IN ACCORDANCE WITH SECTION 93 OF THE STANDARD SPECIFICATIONS. APPLICATION OF A FOG SEAL IS REQUIRED IN AN AMOUNT APPROVED BY THE DEPARTMENT.

5. EARTHWORK: THE EARTHWORK INVOLVED SHALL CONFORM TO SECTION 19 OF THE DIVISION OF HIGHWAYS STANDARD SPECIFICATIONS EXCEPT AS HEREIN MODIFIED.

COMPACTION REQUIREMENTS CALLING FOR EXCAVATING THE NATURAL GROUND ARE WAIVED AND THE FOLLOWING REQUIREMENTS SHALL APPLY. WHEN THE RELATIVE COMPACTION OF THE NATURAL GROUND IS A GRADED ROADBED IN CUT SECTIONS, UPON WHICH A SPECIFIED LAYER OF ROADBED MATERIAL IS TO BE

PLACED IS LESS THAN 95%, THE GRADED ROADBED IN CUT SECTION SHALL BE COMPACTED UNTIL A RELATIVE COMPACTION OF 95% IS OBTAINED IN THE TOP 6 INCHES OF THE GRADED ROADBED. WHEN THE RELATIVE COMPACTION OF NATURAL GROUND AREA UPON WHICH EMBANKMENT FILLS ARE TO BE PLACED IS LESS THAN 96%, AND SUCH SOILS ARE ABOVE A PLACE TWO (2) FEET BELOW FINISHED GRADE OF THE ROADBED, THE GROUND SURFACE SHALL BE COMPACTED BEFORE ANY EMBANKMENT IS PLACED THEREON UNTIL A RELATIVE COMPACTION OF 95% IS OBTAINED IN THE TOP 6".

6. MONUMENT COVERS AND FRAMES: SHALL BE CAST IRON, MINIMUM OF 12 INCHES LONG, COVERS SHALL BE NOTCHED OR HAVE DEPRESSIONS TO FACILITATE REMOVAL. THEY SHALL BE INSTALLED IN ACCORDANCE WITH CITY STANDARD NO. 902.
7. STREET NAME SIGNS: STREET NAME SIGNS SHALL BE DOUBLE FACED PORCELAIN ENAMEL, POLE TOP MOUNTED OF A DESIGN APPROVED BY THE CITY, MOUNTED 10 FEET ABOVE THE SIDEWALK OR GROUND.

THE SIGN POST SHALL BE 2 INCHES STANDARD GALVANIZED IRON PIPE SET 32 INCHES DEEP IN A 12 INCH DIAMETER CONCRETE FOOTING.

THE STREET NAME SIGN SHALL GENERALLY BE SET ON THE SOUTHEAST CORNER OF THE INTERSECTION.

REFER TO CITY STANDARD DRAWING NO. 804.

8. IRRIGATION SYSTEM: ALL MATERIAL AND WORKMANSHIP SHALL BE IN ACCORDANCE WITH THE UNIFORM PLUMBING CODE AS ADOPTED BY THE CITY OF DESERT HOT SPRINGS AND AS SET OUT IN THIS SECTION.

ALL CONSTANT PRESSURE PIPE LOCATED IN THE PARKWAY UNDER AC PAVEMENT OR CONCRETE SIDEWALKS, DRIVEWAYS, ETC., MUST BE EITHER TYPE K COPPER OR HIGH DENSITY VIRGIN POLYETHYLENE PIPE, ORANGEBURG CLASS 160 OR EQUAL. WHERE COPPER TUBING IS USED, ALL UNDERGROUND CONNECTIONS SHALL BE COMPRESSION TYPE UNIONS.

CONSTAND PRESSURE PIPE LOCATED IN THE PARKWAY NOT UNDER AC PAVEMENT OR CONCRETE WORK SHALL BE RIGID PVC SCHEDULE 40 PIPE WITH SOLVENT WELDED FITTINGS. ALL CONSTANT PRESSURE PIPES SHALL HAVE A MINIMUM OF 12-INCH COVER.

PIPE NOT UNDER CONSTAND PRESSURE SHALL BE RIGID PVC. CLASS 200/SDR 21 OR APPROVED EQUAL WITH A MINIMUM OF 12-INCH COVER.

FITTINGS FOR ALL PVC PIPE SHALL BE PVC SCHEDULE 40. ALL RISERS ABOVE THE GROUND LEVEL SHALL BE STANDARD GALVANIZED PIPE.

VACUUM BREAKERS WHERE USED SHALL BE BRASS BODIED WITH SYNTHETIC SEATING, COMBINATION SHUT OFF TYPE. BACKFLOW DEVICES SHALL BE OF A TYPE APPROVED

BY THE CITY. AUTOMATIC SPRINKLER VALVES MAY BE USED, ELECTRIC VALVES WHERE USED SHALL BE THE LOW VOLTAGE TYPE.

ALL ELECTRIC CONTROLLED SPRINKLERS SHALL HAVE COPPER CONDUCTORS WITH RUBBER OR THERMOPLASTIC COVERING. WHEN BURIED UNDERGROUND, THE CONDUCTORS MUST HAVE A MINIMUM OF 12 INCHES OF COVER. WHEN BURIED UNDER DRIVEWAYS OR OTHER TRAVELED WAY, THEY ARE ALSO TO BE ENCASED IN A PLASTIC TUBE OR SLEEVE.

THE METER CONTROL PANEL AND ALL EQUIPMENT OF 120 VOLTS OR OVER MUST BE LOCATED ON PRIVATE PROPERTY AND ENTIRELY OFF THE PUBLIC RIGHT-OF-WAY. THE CONTROLLER BOX SHALL BE EQUIPPED WITH A TIGHT LOCKING COVER.

9. ORNAMENTAL LIGHTING: ALL MATERIAL AND WORKMANSHIP SHALL BE IN ACCORDANCE WITH THE LATEST EDITION OF THE NATIONAL ELECTRICAL CODE, THE UNIFORM WIRING CODE, AND THE STATE ELECTRICAL SAFETY ORDERS AND THESE SPECIFICATIONS.

JUNCTION AND PULL BOXES SHALL BE CONCRETE WITH BOLT ON COVERS MARKED "HIGH VOLTAGE".

ALL UNDERGROUND WIRING IS TO BE ENCASED IN PVC CONDUIT WITH A MINIMUM OF 18 INCHES COVER. RIVERS FROM PVC CONDUIT TO FIXTURES OVER 12 INCHES ABOVE GROUND LEVEL SHALL BE OF STANDARD RIGID GALVANIZED CONDUIT.

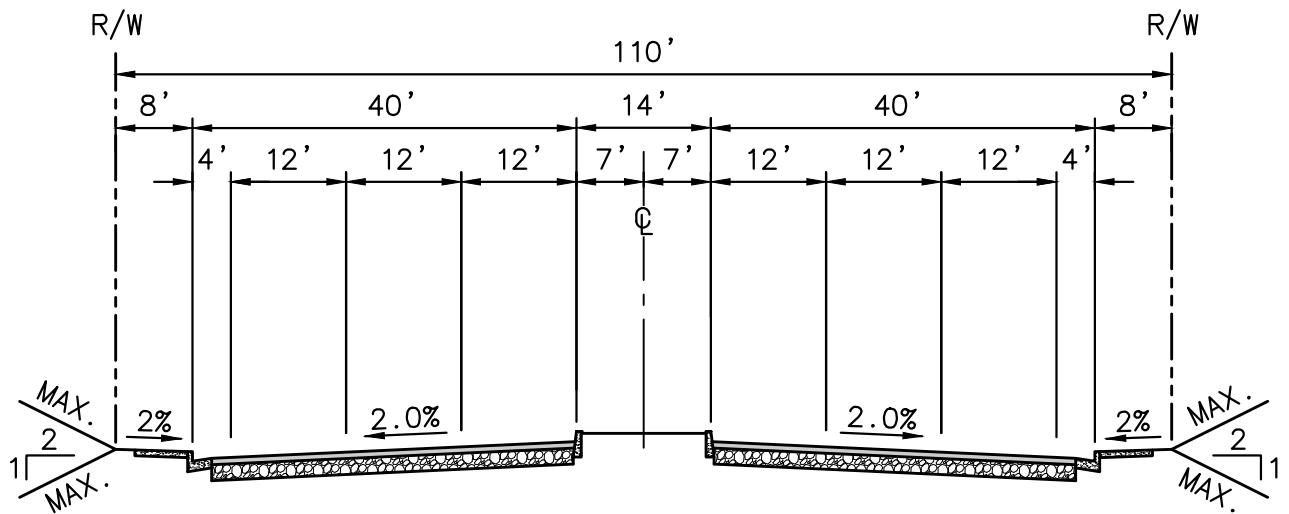
ALL LIGHT FIXTURES AND UTILITY BOXES SHALL BE WATERPROOF AND LOCATED A MINIMUM OF 12 INCHES ABOVE THE GROUND.

CONDUITS RUNNING UP TREE TRUNKS SHALL BE RIGID METAL TUBING BEGINNING AT 12 INCHES ABOVE GROUND AND SHALL BE EQUIPPED WITH WEATHER PROOF FITTINGS. THE CONDUIT SHALL BE SECURELY ANCHORED TO THE TREE AT A MINIMUM OF FOUR (4) FOOT INTERVALS.

ALL CONDUCTORS SHALL BE COPPER. NO SPLICES SHALL BE PERMITTED IN UNDERGROUND RUNS BETWEEN FIXTURES OR JUNCTION BOXES. ALL LIGHTS ARE TO BE WEATHER SEALED, DIRECTIONAL FLOOD TYPE. FIXTURES MOUNTED BELOW SEVEN (7) FEET IN HEIGHT SHALL BE EQUIPPED WITH GLARE SHIELDS AND WITH A WIRE GUARD THAT CANNOT BE REMOVED WITHOUT TOOLS. ANY LIGHT MOUNTED LOWER THAN SEVEN (7) FEET ABOVE GROUND SHALL NOT PROTRUDE MORE THAN TWELVE (12) INCHES FROM THE TREE.

THE USE OF RED, GREEN, AMBER OR ANY FORM OF FLASHING LIGHTS IN THE VICINITY OF TRAFFIC SIGNS OR SIGNALS IS SUBJECT TO REVIEW AND APPROVAL OF THE CITY ENGINEER.

ALL CONTROL PANELS AND NECESSARY SAFETY DEVICES SHALL BE LOCATED ON THE APPLICANT'S PROPERTY. THEY SHALL BE WATER TIGHT, UL APPROVED AND EQUIPPED WITH A LOCKING DEVICE AND CIRCUIT BREAKERS OR FUSES OF A SIZE REQUIRED TO PROTECT THE SYSTEM.



PRIMARY I

(SIX LANES DIVIDED - NO PARKING)

APPROVED BY:

Jillleen L. Ferris

8/11/2022

JILLEEN L. FERRIS, CITY ENGINEER RCE 86193 DATE



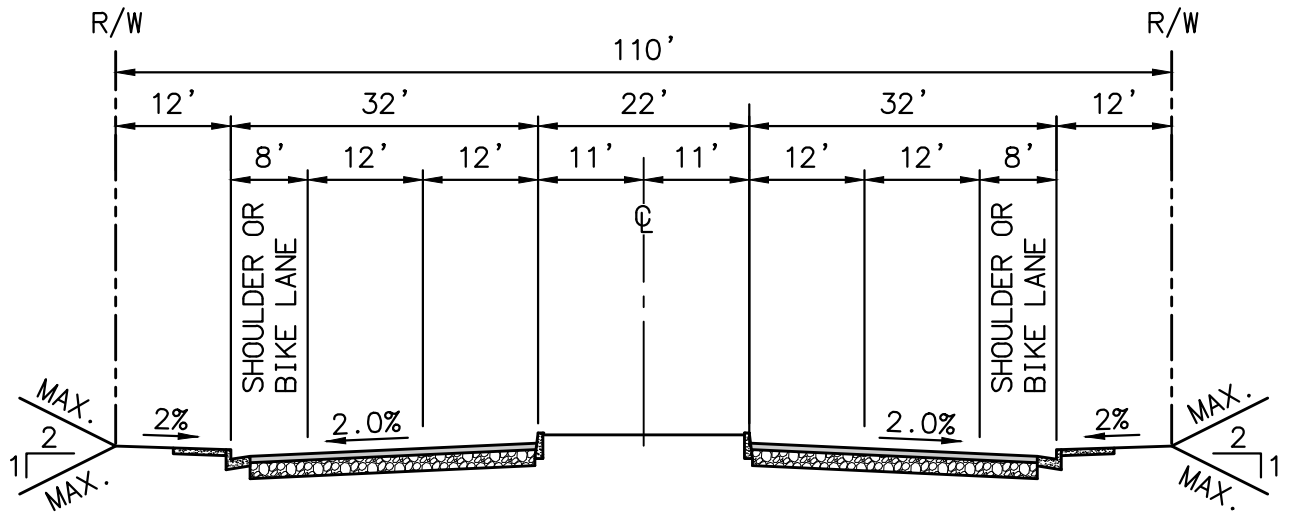
CITY OF
DESERT HOT SPRINGS

STANDARD
DRAWING
NUMBER

PRIMARY I

101

REV	DESCRIPTION	BY	APP'D	DATE



PRIMARY II
(FOUR LANES DIVIDED - NO PARKING)

APPROVED BY:

Jillleen L. Ferris 8/11/2022
 JILLEEN L. FERRIS, CITY ENGINEER RCE 86193 DATE



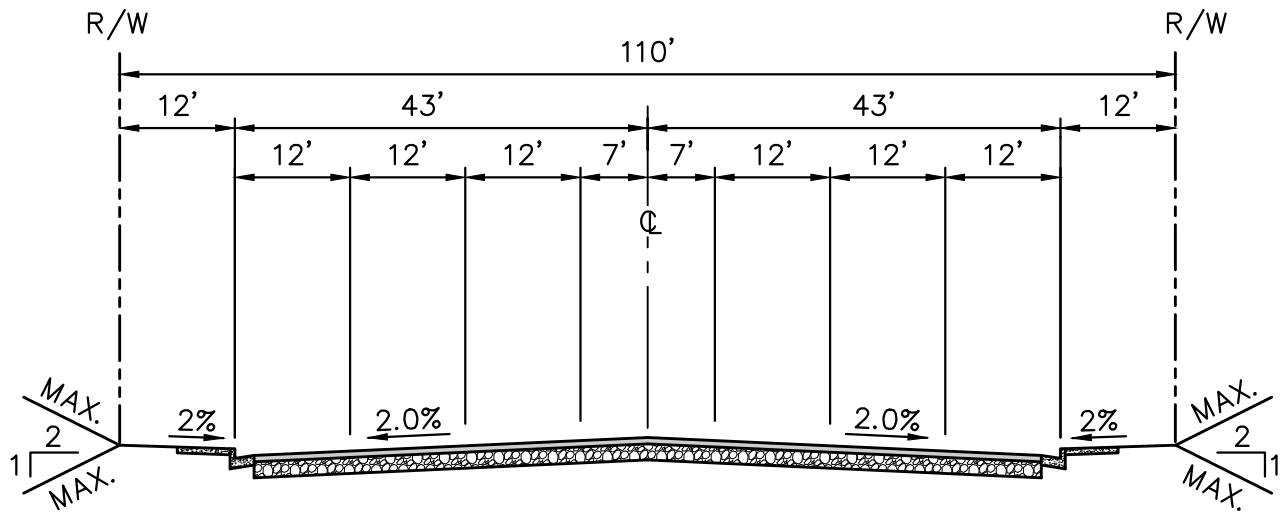
CITY OF
DESERT HOT SPRINGS

STANDARD
DRAWING
NUMBER

PRIMARY II

102

REV	DESCRIPTION	BY	APP'D	DATE



PRIMARY III
(SIX LANES UNDIVIDED – NO PARKING)

APPROVED BY:

Jillean L. Ferris

08/11/2022

JILLEEN L. FERRIS, CITY ENGINEER RCE 86193 DATE



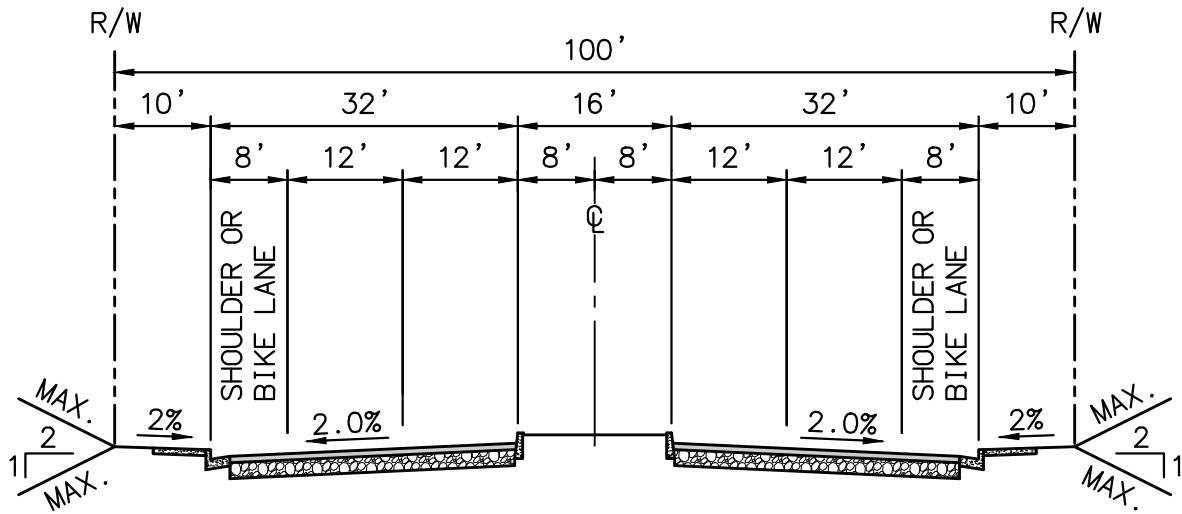
CITY OF
DESERT HOT SPRINGS

PRIMARY III
DILLON ROAD

STANDARD
DRAWING
NUMBER

102A

REV	DESCRIPTION	BY	APP'D	DATE



SECONDARY I

(FOUR LANES DIVIDED - NO PARKING)

APPROVED BY:

Jillleen L. Ferris 8/11/2022
 JILLEEN L. FERRIS, CITY ENGINEER RCE 86193 DATE



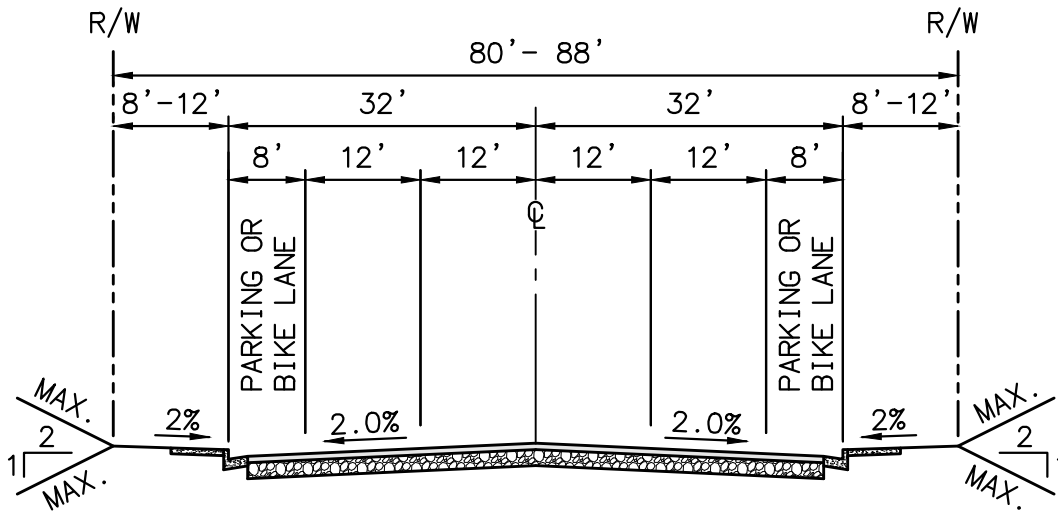
CITY OF
DESERT HOT SPRINGS

STANDARD
DRAWING
NUMBER

SECONDARY I

103

REV	DESCRIPTION	BY	APP'D	DATE



SECONDARY II

(FOUR LANES UNDIVIDED - ON-STREET PARKING)

APPROVED BY:

Jillleen L. Ferris
 JILLEEN L. FERRIS, CITY ENGINEER RCE 86193
 8/11/2022 DATE



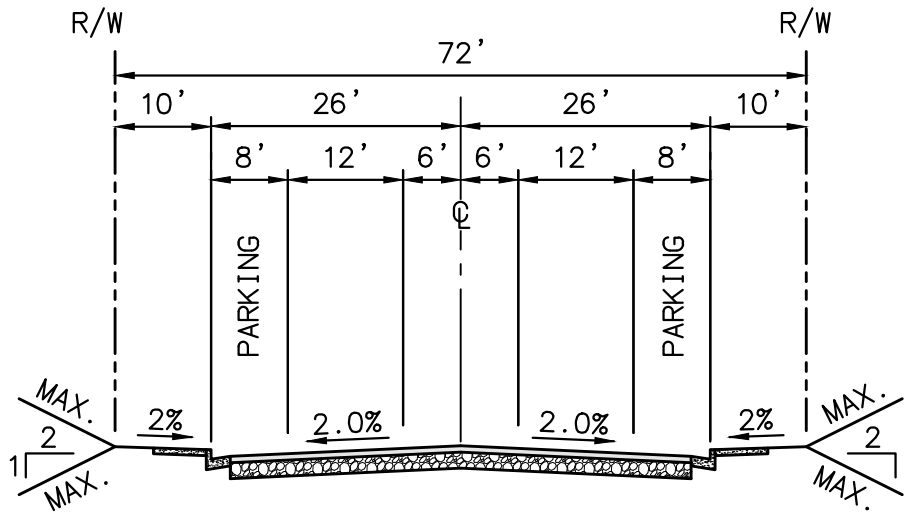
CITY OF
 DESERT HOT SPRINGS

STANDARD
 DRAWING
 NUMBER

SECONDARY II

104

REV	DESCRIPTION	BY	APP'D	DATE



COLLECTOR

(TWO LANES UNDIVIDED - ON-STREET PARKING)

APPROVED BY:

Jillleen L. Ferris 8/11/2022
 JILLEEN L. FERRIS, CITY ENGINEER RCE 86193 DATE



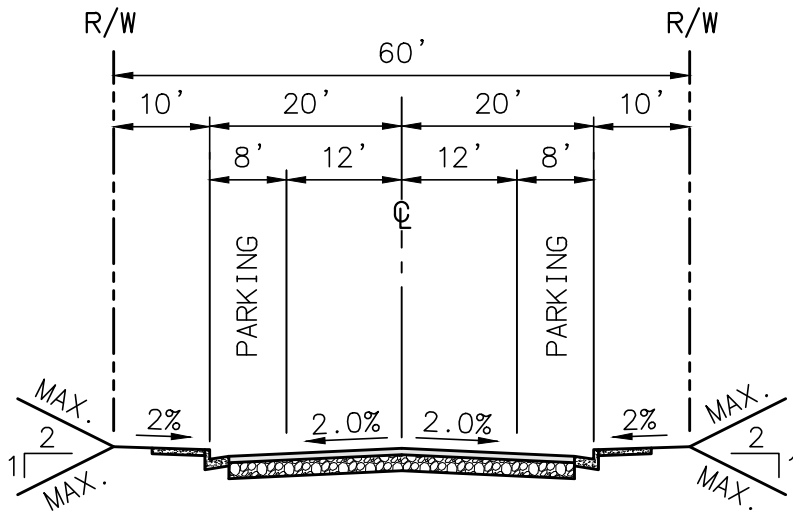
CITY OF
 DESERT HOT SPRINGS

STANDARD
 DRAWING
 NUMBER

COLLECTOR

105

REV	DESCRIPTION	BY	APP'D	DATE



LOCAL COLLECTOR

(TWO LANES UNDIVIDED - ON-STREET PARKING)

APPROVED BY:

Jillleen L. Ferris 8/11/2022
 JILLEEN L. FERRIS, CITY ENGINEER RCE 86193 DATE



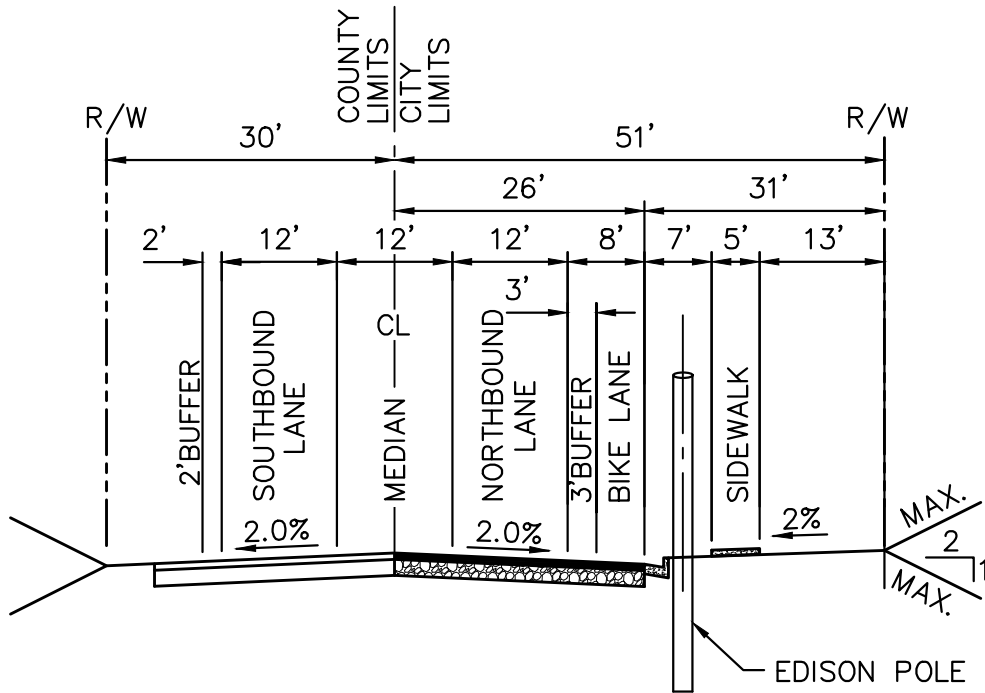
CITY OF
 DESERT HOT SPRINGS

STANDARD
 DRAWING
 NUMBER

LOCAL COLLECTOR

106

REV	DESCRIPTION	BY	APP'D	DATE



APPROVED BY:

Jilleen L. Ferris

8/11/2022

JILLEEN L. FERRIS, CITY ENGINEER RCE 86193

DATE



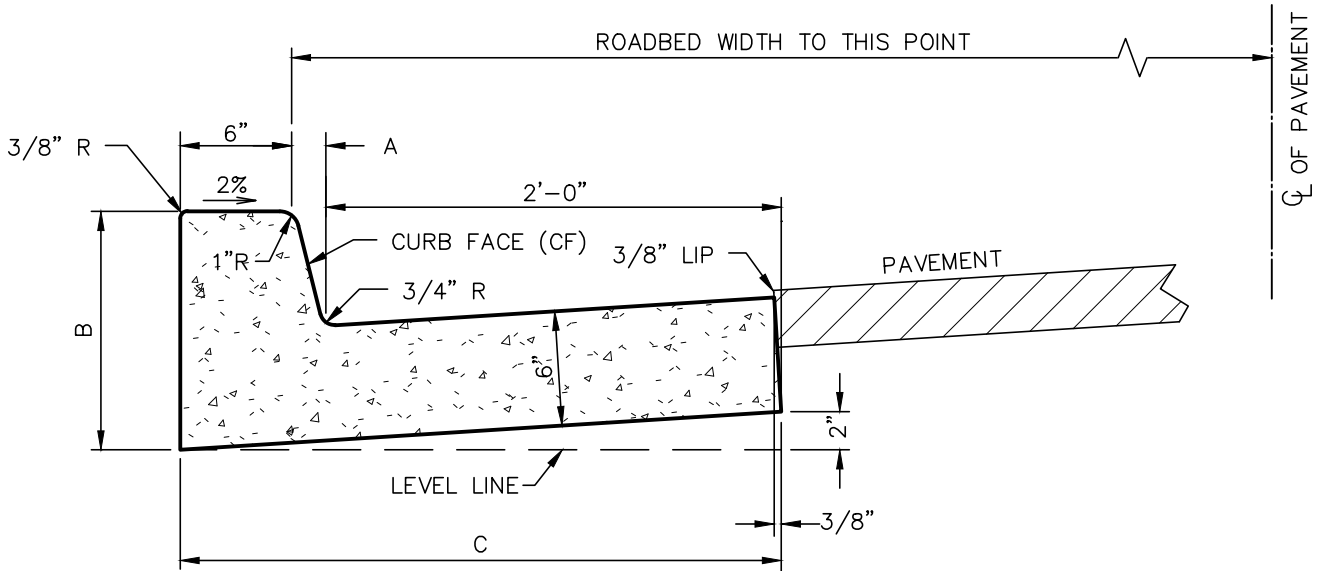
CITY OF
DESERT HOT SPRINGS

STANDARD
DRAWING
NUMBER

REV	DESCRIPTION	BY	APP'D	DATE

LITTLE MORONGO ROAD

107



CLASS 560-C-3250 CONCRETE
 FOR 6" CF: 1.601 CU. FT./L.F.
 1 CU. YD. = 16.86 L.F.

MINIMUM PERMISSIBLE GRADE 0.50%
 MINIMUM SUBGRADE COMPACTION 95% RELATIVE TO MAXIMUM
 MAX. GRADE BREAK ON ROADWAYS SHALL NOT EXCEED 0.50%
 ALL GUTTER SHALL BE "FLOW TESTED" PRIOR TO PAVING
 SEE STANDARD 205 FOR JOINT DETAILS

FOR 8" CF: 1.73 CU. FT./L.F.
 1 CU. YD. = 15.60 L.F.

6" CURB FACE		
A	B	C
1 1/2"	12 1/2"	31 1/2"
8" CURB FACE		
A	B	C
2"	14 1/2"	32"

APPROVED BY:

Jillleen L. Ferris 8/11/2022
 JILLEEN L. FERRIS, CITY ENGINEER RCE 86193 DATE



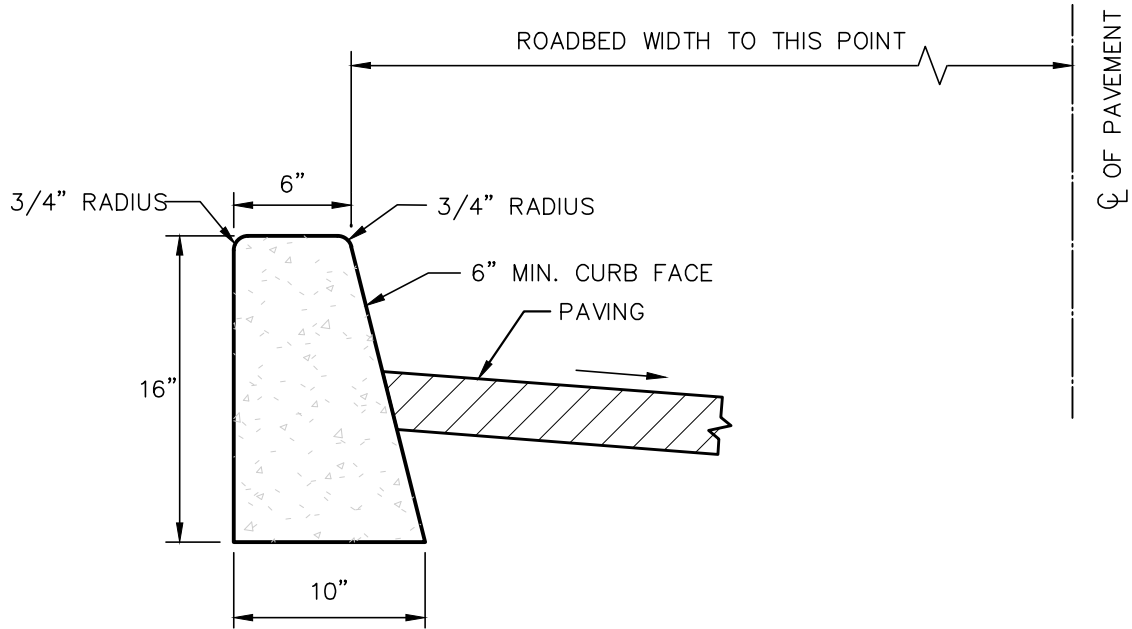
CITY OF
 DESERT HOT SPRINGS

STANDARD
 CURB AND GUTTER

STANDARD
 DRAWING
 NUMBER

200

REV	DESCRIPTION	BY	APP'D	DATE



CLASS 560-C-3250 CONCRETE
 0.888 CU. FT./L.F.
 1 CU. YD. = 30.41 L.F.

MINIMUM PERMISSIBLE GRADE 0.50%
 MINIMUM SUBGRADE COMPACTION 95% RELATIVE TO MAXIMUM
 MAX. GRADE BREAK ON ROADWAYS SHALL NOT EXCEED 0.50%

USE CONCRETE CURING COMPOUND, ASTM C309/AASHTO M148, TYPE 2,
 CLASS A OR B, WITH WHITE PIGMENT. AFTER CURING, COMPOUND SHALL
 BE "POWER WASHED" OFF CURB TOP AND FACE BEFORE ANY CURB PAINTING

SEE STANDARD 205 FOR JOINT DETAILS

8" CURB FACE SHALL BE USED ON ALL ROADWAY MEDIAN CURBS

APPROVED BY:

Jillleen L. Ferris
 8/11/2022
 JILILEEN L. FERRIS, CITY ENGINEER RCE 86193 DATE



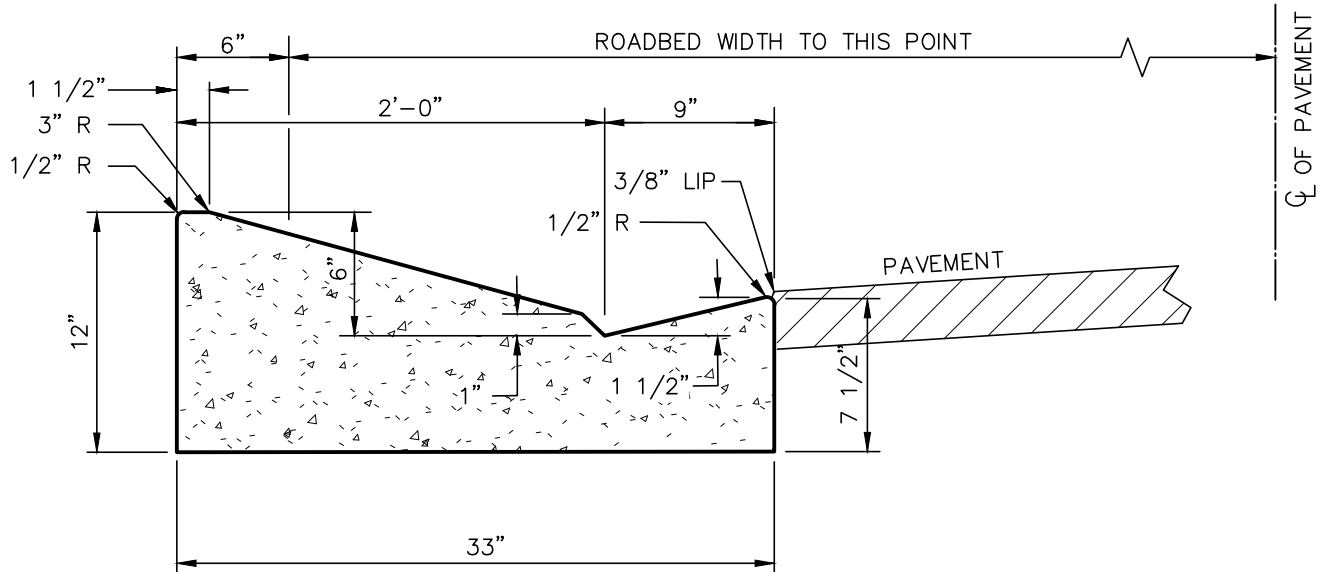
CITY OF
 DESERT HOT SPRINGS

STANDARD STRAIGHT
 FACE CURB

STANDARD
 DRAWING
 NUMBER

201

REV	DESCRIPTION	BY	APP'D	DATE



CLASS 560-C-3250 CONCRETE

2.01 CU. FT./L.F.

1 CU. YD. = 13.43 L.F.

MINIMUM PERMISSIBLE GRADE 0.50%

MINIMUM SUBGRADE COMPACTION 95% RELATIVE TO MAXIMUM

MAX. GRADE BREAK ON ROADWAYS SHALL NOT EXCEED 0.50%

ALL GUTTER SHALL BE "FLOW TESTED" PRIOR TO PAVING

SEE STANDARD 205 FOR JOINT DETAILS

FOR PRIVATE STREET CONSTRUCTION ONLY

APPROVED BY:

Jilleen L. Ferris

8/11/2022

JILLEEN L. FERRIS, CITY ENGINEER RCE 86193 DATE



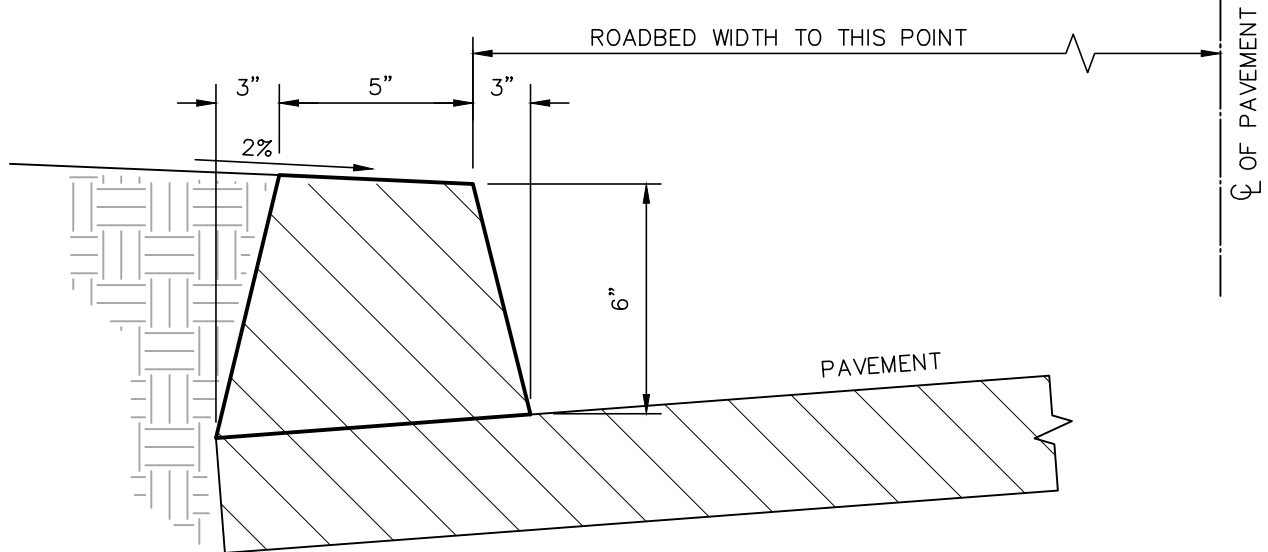
CITY OF
DESERT HOT SPRINGS

STANDARD
DRAWING
NUMBER

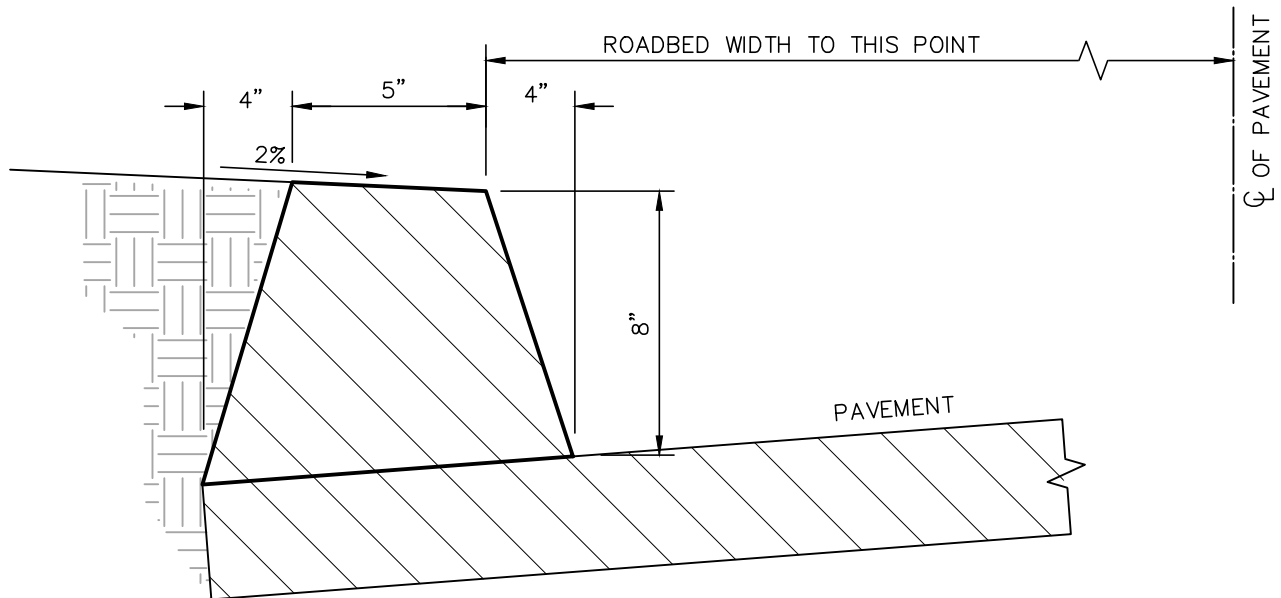
WEDGE CURB
(PRIVATE STREETS)

202

REV	DESCRIPTION	BY	APP'D	DATE



6" A.C. DIKE



8" A.C. DIKE

ASPHALT CONCRETE GRADE PG 70-10
 MINIMUM PERMISSIBLE GRADE 0.50%
 BERM SHALL BE PAINTED TRAFFIC WHITE UNLESS OTHERWISE SPECIFIED.
 MAX. GRADE BREAK ON ROADWAYS SHALL NOT EXCEED 0.50%

NOTE: A.C. DIKE REQUIRED WHERE FILL SLOPES ARE STEEPER THAN 4:1, MATERIAL IS SUSCEPTIBLE TO EROSION, OR WHERE ROADWAY GRADIENT EXCEEDS 3%.

APPROVED BY:

Jillleen L. Ferris
 JILLEEN L. FERRIS, CITY ENGINEER RCE 86193
 8/11/2022 DATE



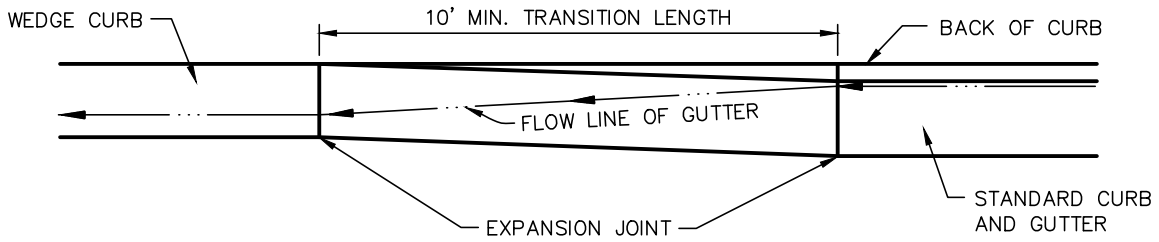
CITY OF
 DESERT HOT SPRINGS

ASPHALT
 CONCRETE DIKES

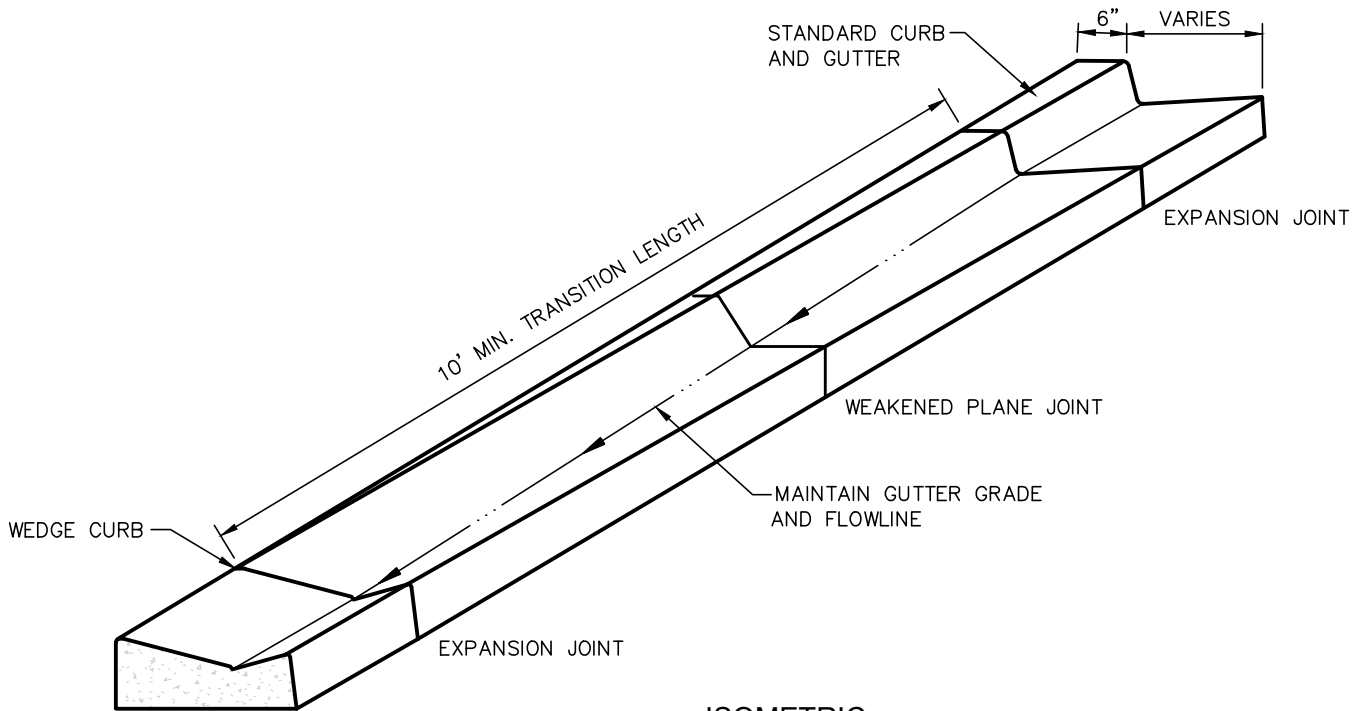
STANDARD
 DRAWING
 NUMBER

203

REV	DESCRIPTION	BY	APP'D	DATE



PLAN VIEW



ISOMETRIC

CLASS 560-C-3250 CONCRETE
 MINIMUM PERMISSIBLE GRADE 0.50%
 MINIMUM SUBGRADE COMPACTION 95% RELATIVE TO MAXIMUM
 MAX. GRADE BREAK ON ROADWAYS SHALL NOT EXCEED 0.50%
 ALL GUTTER SHALL BE "FLOW TESTED" PRIOR TO PAVING
 SEE STANDARD 205 FOR JOINT DETAILS

APPROVED BY:

Jilleen L. Ferris
 JILLEEN L. FERRIS, CITY ENGINEER RCE 86193
 8/11/2022 DATE



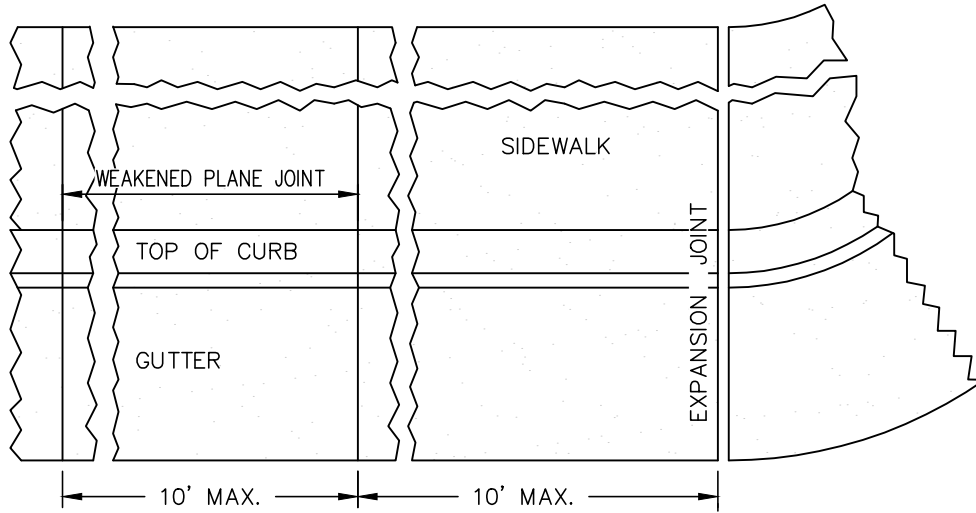
CITY OF
 DESERT HOT SPRINGS

CURB TRANSITION
 (Wedge to Standard)

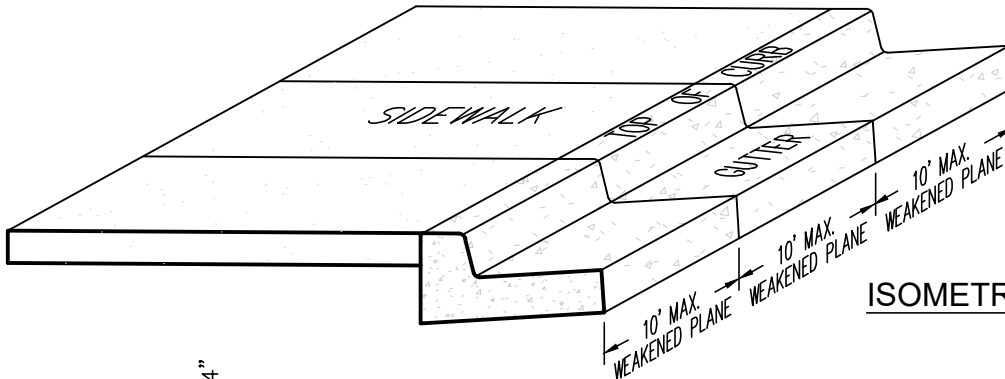
STANDARD
 DRAWING
 NUMBER

204

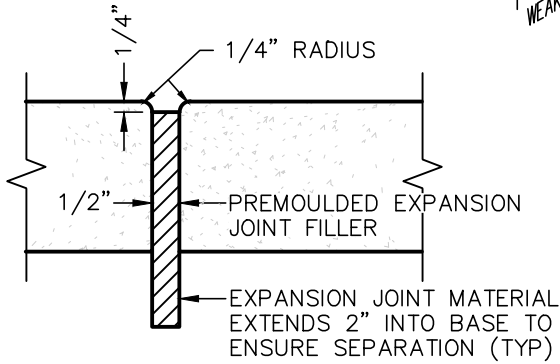
REV	DESCRIPTION	BY	APP'D	DATE



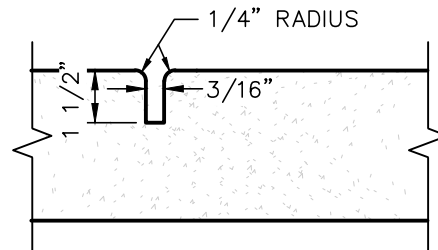
PLAN VIEW



ISOMETRIC



EXPANSION JOINT



WEAKENED PLANE JOINT

10' INTERVAL BETWEEN TRANSVERSE JOINTS MAY BE VARIED TO ALLOW MATCHING OF JOINTS IN ADJACENT EXISTING IMPROVEMENTS.

EXPANSION JOINTS TO BE INSTALLED AT ALL B.C., E.C., CURB RETURNS, DRIVEWAYS, CATCH BASINS, OR SIMILAR STRUCTURES, IN CURBS AND SIDEWALKS SIDEWALKS SHALL ALSO GET EXPANSION JOINTS @ 40' O.C.

NOTE:

FOR MACHINE EXTRUDED CURBING, IT IS REQUIRED TO "SAWCUT" JOINTS INTO THE CONCRETE WHEN IT HAS SET ENOUGH TO NOT FRACTURE. DO PARTIAL CUTS AT 10' INTERVALS, THROUGH THE CURB AND 1.5" INTO THE GUTTER FOR WEAKENED PLANE JOINTS. FOR EXPANSION JOINTS IN EXTRUDED CURBING, SAWCUT COMPLETELY AND INSERT JOINT MATERIAL AS DESCRIBED ABOVE.

APPROVED BY:

Jillleen L. Ferris
 8/11/2022
 JILLEEN L. FERRIS, CITY ENGINEER RCE 86193 DATE



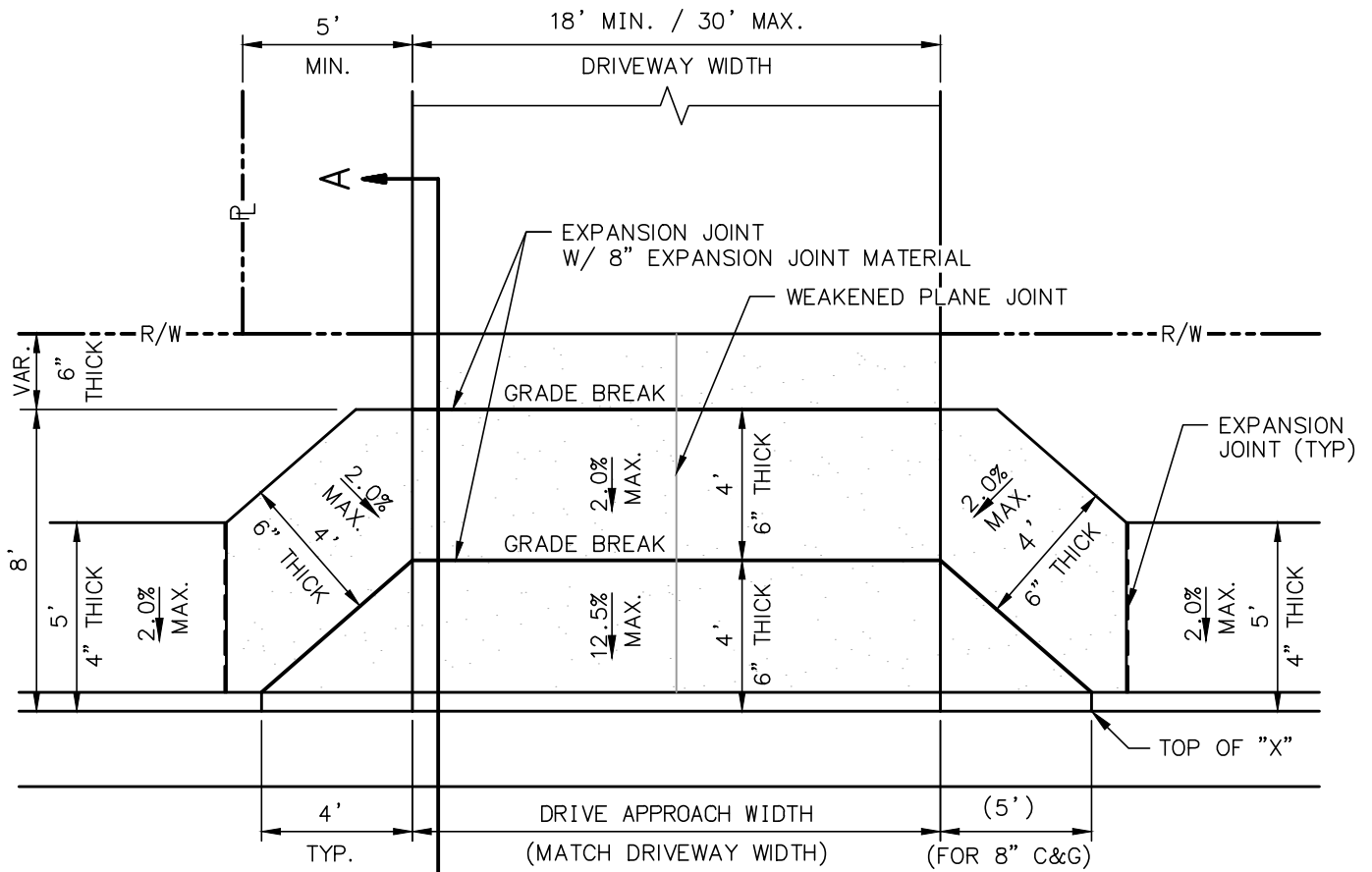
**CITY OF
 DESERT HOT SPRINGS**

STANDARD
 DRAWING
 NUMBER

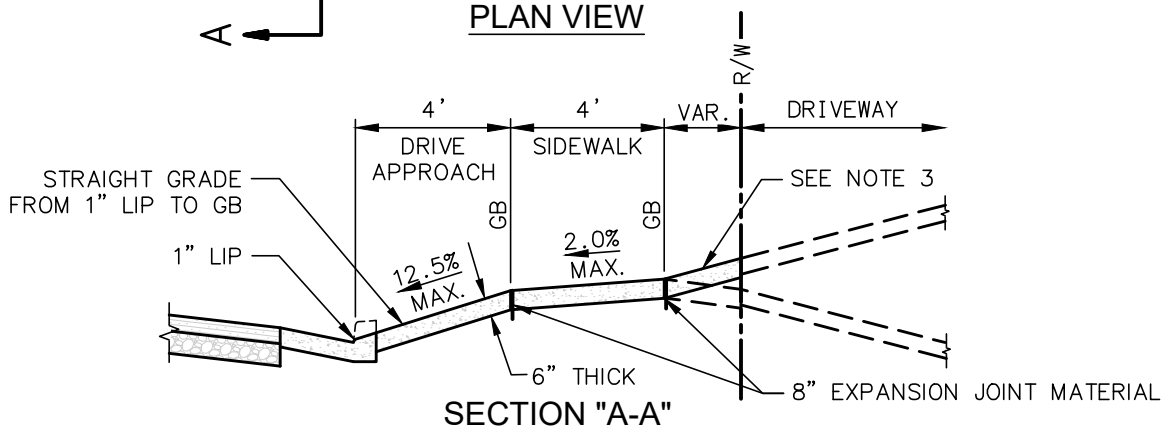
**JOINT DETAILS
 (For Curb, Gutter & Sidewalk)**

205

REV	DESCRIPTION	BY	APP'D	DATE



PLAN VIEW



SECTION "A-A"

NOTES:

- 1) ALL MATERIAL CONSTRUCTION SHALL BE CLASS 560-C-3250 P.C.C., SIX-INCH THICK. CONCRETE SHALL BE PLACED OVER 95% RELATIVE COMPACTED NATIVE MATERIAL OR BASE.
- 2) WEAKENED PLANE JOINTS SHALL BE CONSTRUCTED IN ACCORDANCE WITH SEC. 303-5 OF THE STANDARD SPECIFICATIONS. FOR APPROACH WIDTHS OF 12'-20', ONE JOINT SHALL BE PLACED AT MID-APPROACH. FOR APPROACH WIDTHS OF 20'-30', TWO JOINTS SHALL BE PLACED WITH SYMMETRIC SPACING, WITH A MAXIMUM SPACING OF 10' O.C.
- 3) CONSTRUCT THE PROFILE OF THE CONNECTING GRADE OF THE PRIVATE ON-SITE DRIVEWAY SO THAT IT PROVIDES SMOOTH VEHICLE ACCESS OVER THE DRIVE APPROACH.

APPROVED BY:

Jillleen L. Ferris
 JILLEEN L. FERRIS, CITY ENGINEER RCE 86193
 8/11/2022 DATE



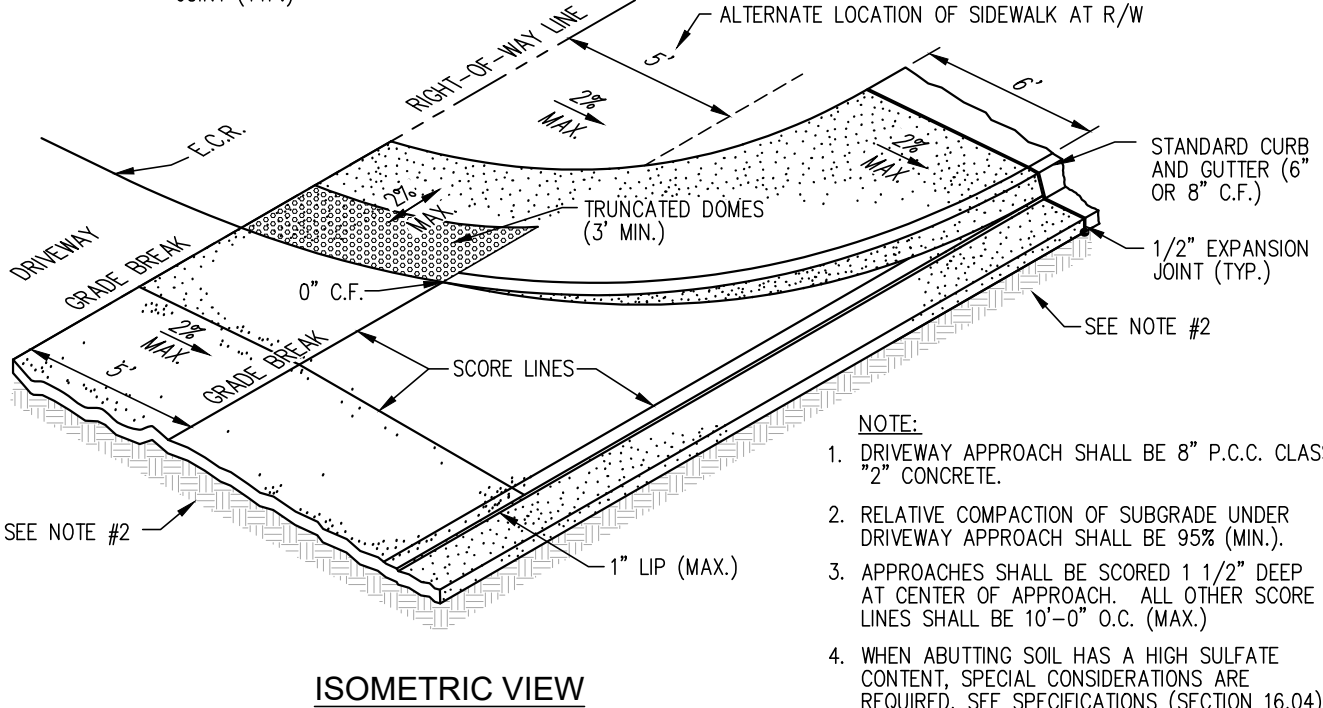
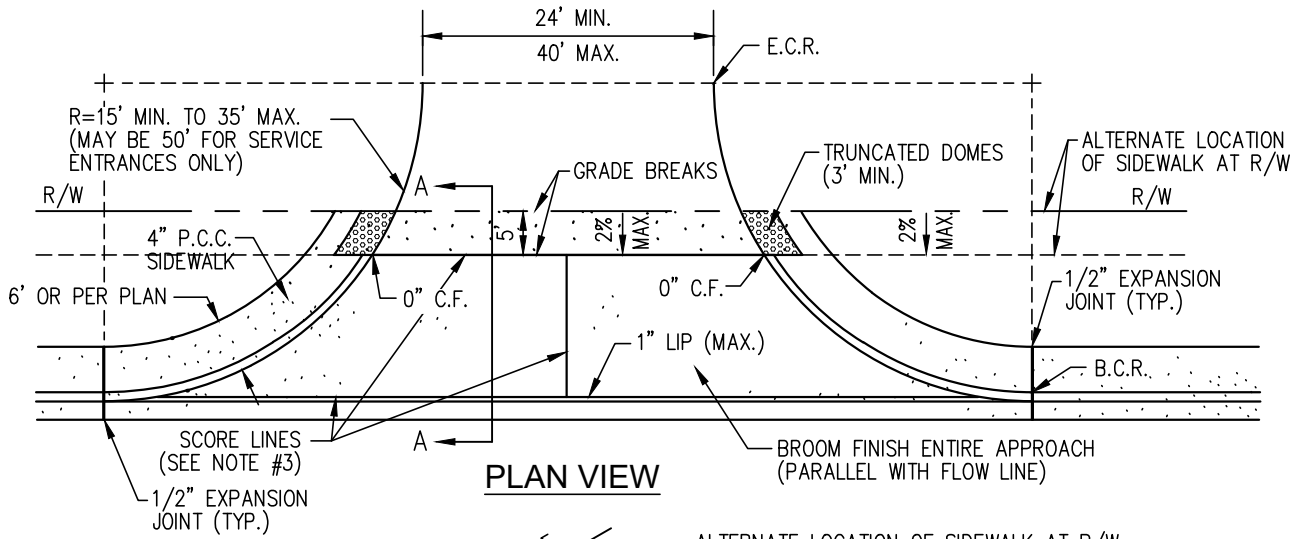
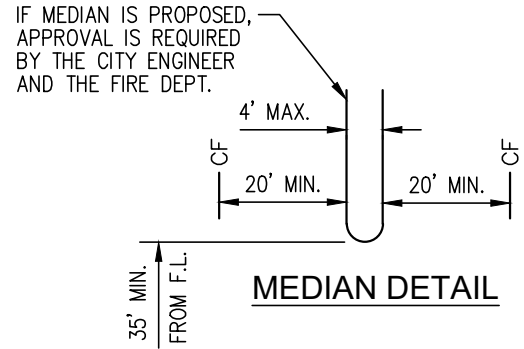
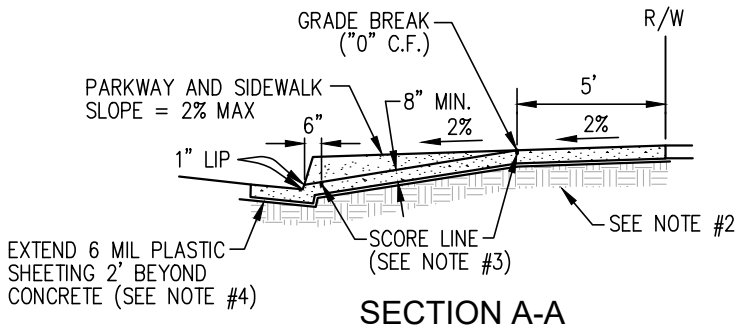
**CITY OF
 DESERT HOT SPRINGS**

STANDARD
 DRAWING
 NUMBER

RESIDENTIAL DRIVEWAY

206

REV	DESCRIPTION	BY	APP'D	DATE



- NOTE:**
1. DRIVEWAY APPROACH SHALL BE 8" P.C.C. CLASS "2" CONCRETE.
 2. RELATIVE COMPACTION OF SUBGRADE UNDER DRIVEWAY APPROACH SHALL BE 95% (MIN.).
 3. APPROACHES SHALL BE SCORED 1 1/2" DEEP AT CENTER OF APPROACH. ALL OTHER SCORE LINES SHALL BE 10'-0" O.C. (MAX.)
 4. WHEN ABUTTING SOIL HAS A HIGH SULFATE CONTENT, SPECIAL CONSIDERATIONS ARE REQUIRED. SEE SPECIFICATIONS (SECTION 16.04).

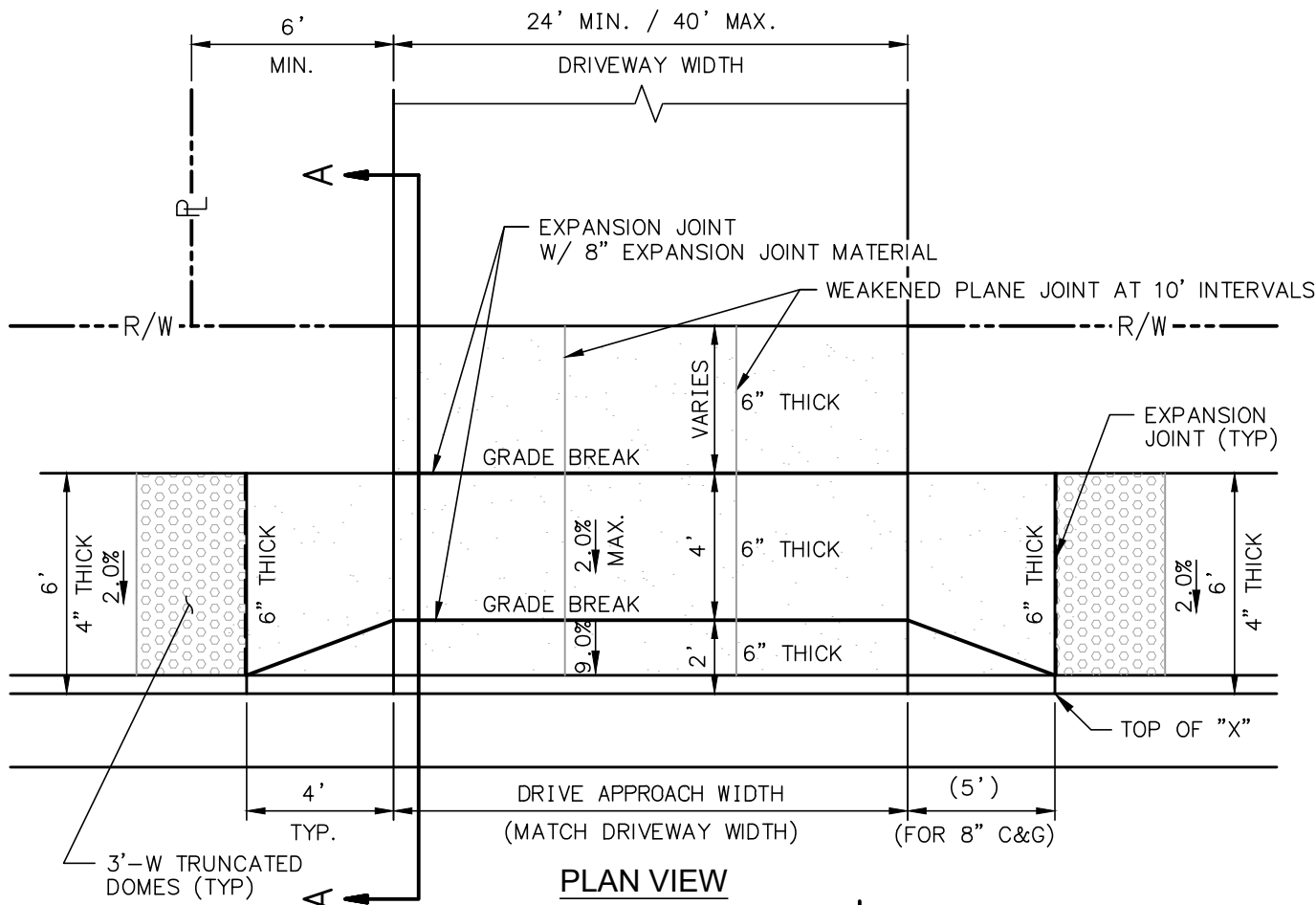
APPROVED BY:
Jillleen L. Ferris
 JILLEEN L. FERRIS, CITY ENGINEER RCE 86193
 8/11/2022 DATE



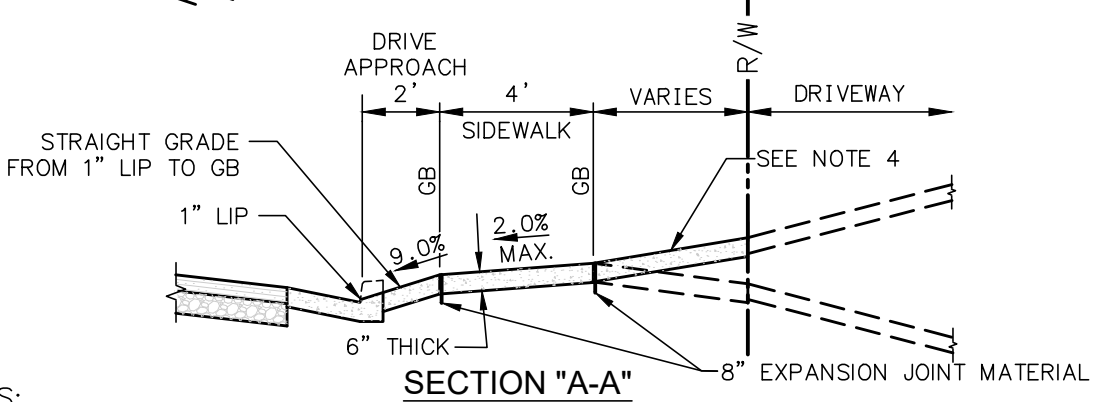
CITY OF
 DESERT HOT SPRINGS
 COMMERCIAL DRIVEWAY

STANDARD
 DRAWING
 NUMBER
207

REV	DESCRIPTION	BY	APP'D	DATE



PLAN VIEW



SECTION "A-A"

- NOTES:**
- 1) ALL MATERIAL CONSTRUCTION SHALL BE CLASS 560-C-3250 P.C.C., SIX-INCH THICK. CONCRETE SHALL BE PLACED OVER 95% RELATIVE COMPACTED NATIVE MATERIAL OR BASE.
 - 2) WEAKENED PLANE JOINTS SHALL BE CONSTRUCTED IN ACCORDANCE WITH SEC. 303-5 OF THE STANDARD SPECIFICATIONS. FOR APPROACH WIDTHS OF 24'-30', TWO JOINTS SHALL BE PLACED WITH SYMMETRIC SPACING OVER WIDTH OF APPROACH. FOR APPROACH WIDTHS OF 30'-40', JOINTS SHALL BE PLACED WITH SYMMETRIC SPACING, WITH A MAXIMUM SPACING OF 10' O.C.
 - 3) 20' OF FULL FACE CURB IS REQUIRED BETWEEN ANY TWO DRIVEWAY APPROACHES.
 - 4) CONSTRUCT THE PROFILE OF THE CONNECTING GRADE OF THE PRIVATE ON-SITE DRIVEWAY SO THAT IT PROVIDES SMOOTH VEHICLE ACCESS OVER THE DRIVE APPROACH.

APPROVED BY:

 8/11/2022
 JILLEEN L. FERRIS, CITY ENGINEER RCE 86193 DATE



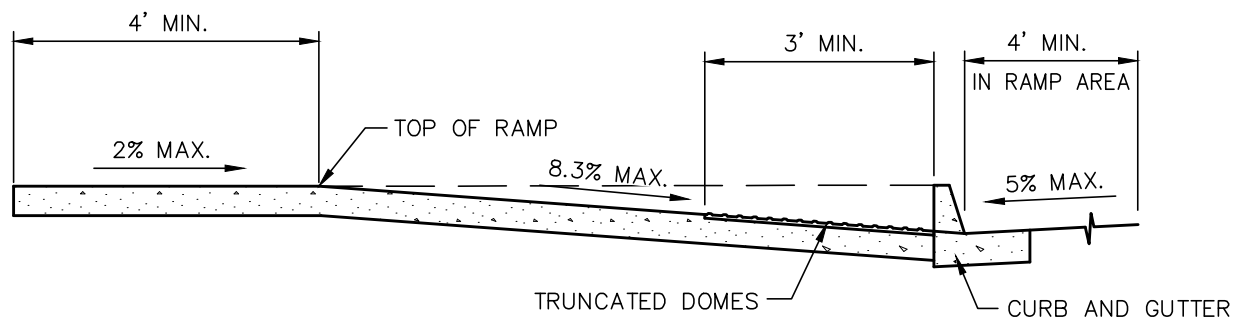
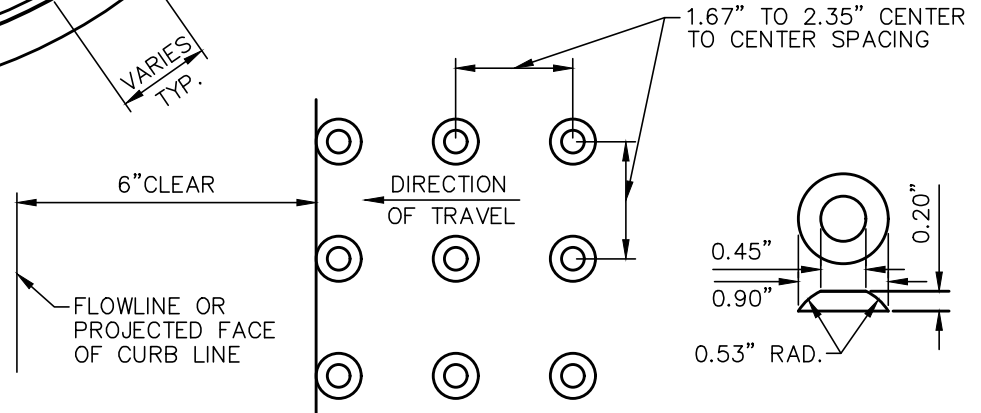
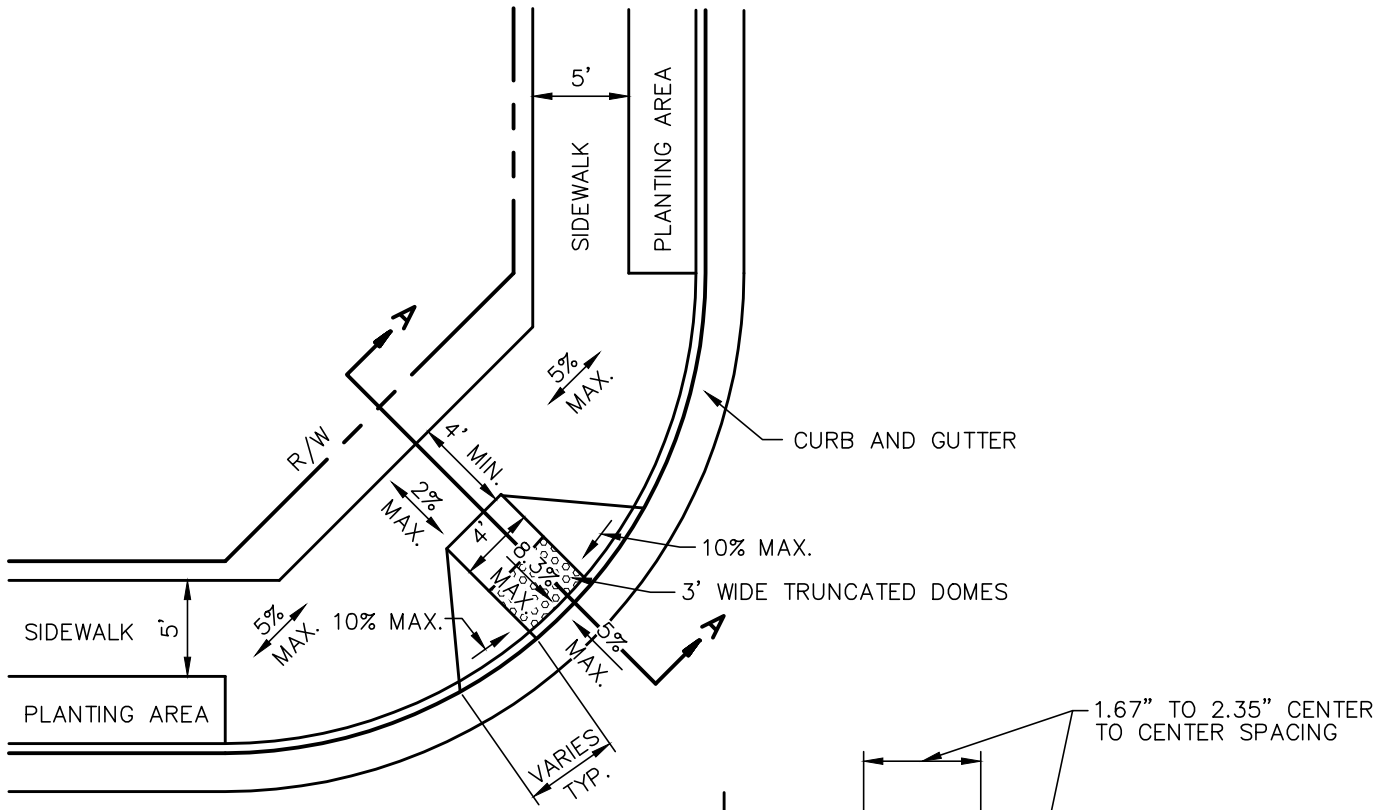
**CITY OF
 DESERT HOT SPRINGS**

STANDARD
 DRAWING
 NUMBER

REV	DESCRIPTION	BY	APP'D	DATE

**COMMERCIAL
 DRIVEWAY**

208



APPROVED BY:
Jillleen L. Ferris
 JILLEEN L. FERRIS, CITY ENGINEER RCE 86193
 8/11/2022 DATE



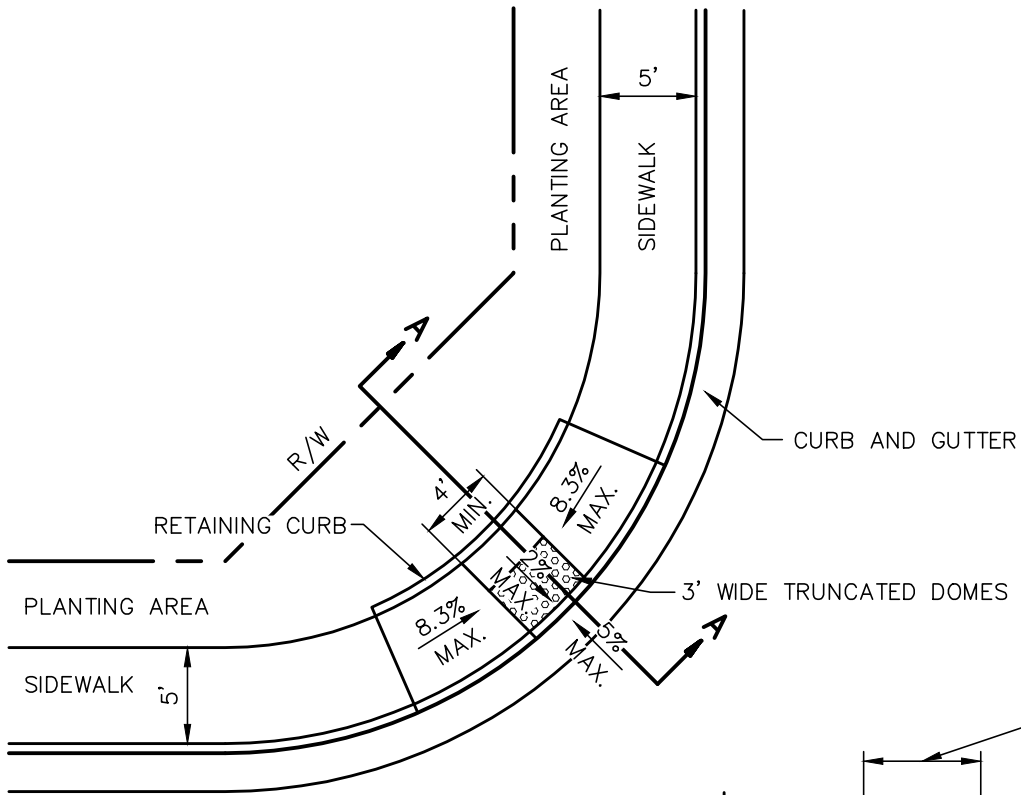
CITY OF
 DESERT HOT SPRINGS

STANDARD
 DRAWING
 NUMBER

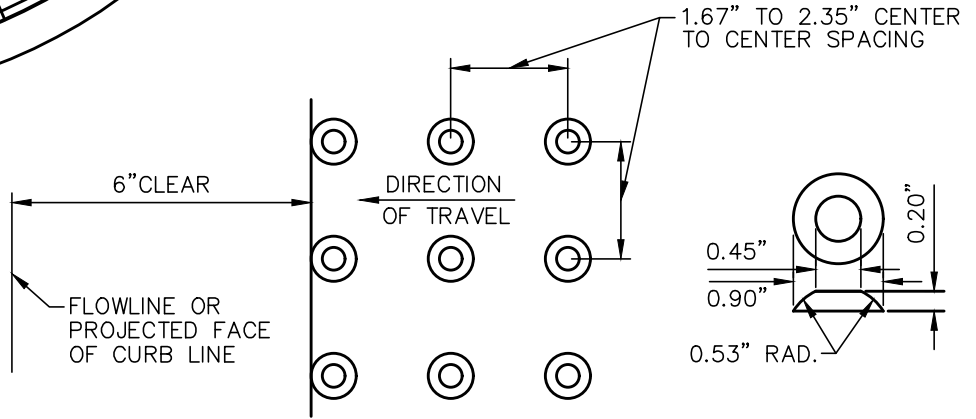
ADA CURB RAMP
 TYPE A

209

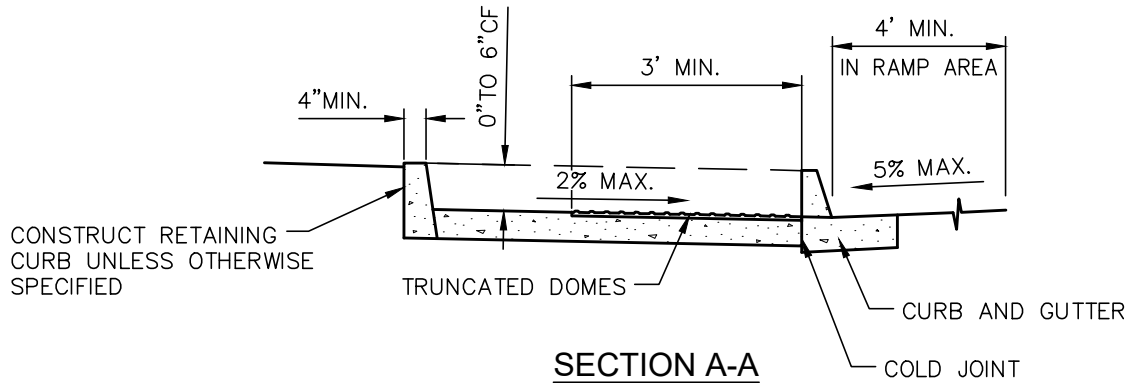
REV	DESCRIPTION	BY	APP'D	DATE



PLAN VIEW



TRUNCATED DOME DETAILS



SECTION A-A

APPROVED BY:

Jillleen L. Ferris
 JILLEEN L. FERRIS, CITY ENGINEER RCE 86193
 8/11/2022 DATE



CITY OF
 DESERT HOT SPRINGS

ADA CURB RAMP
 TYPE B

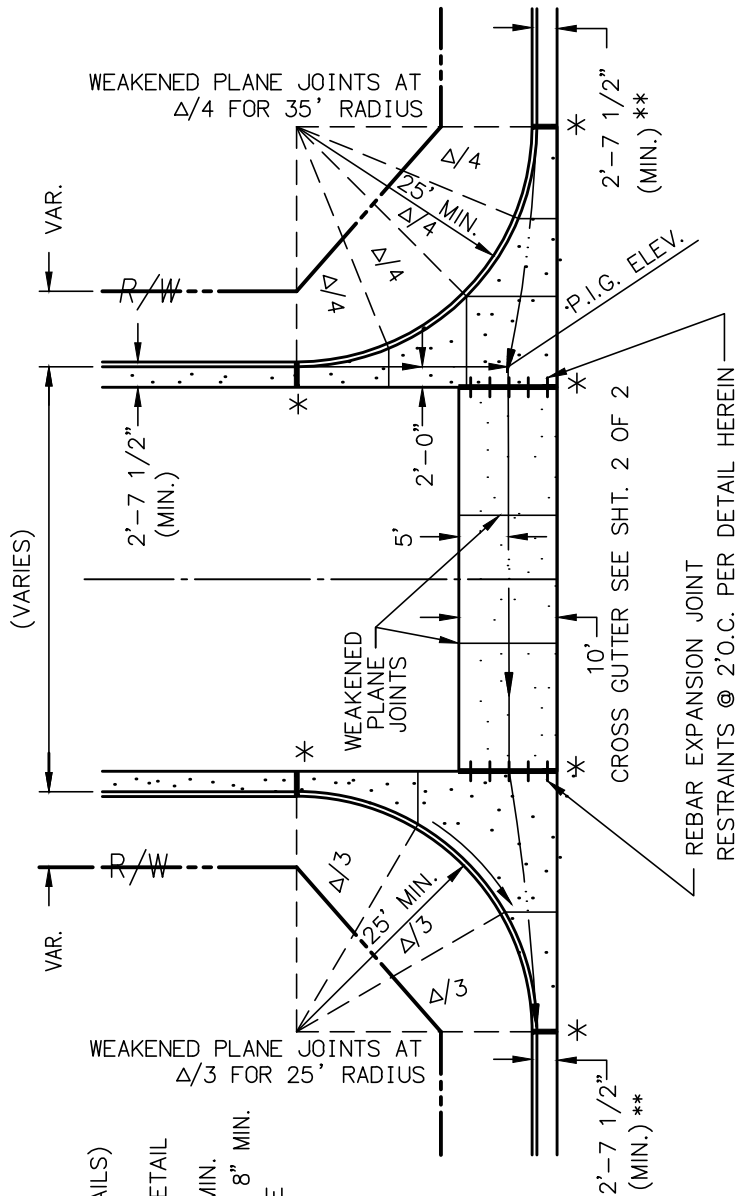
STANDARD
 DRAWING
 NUMBER

210

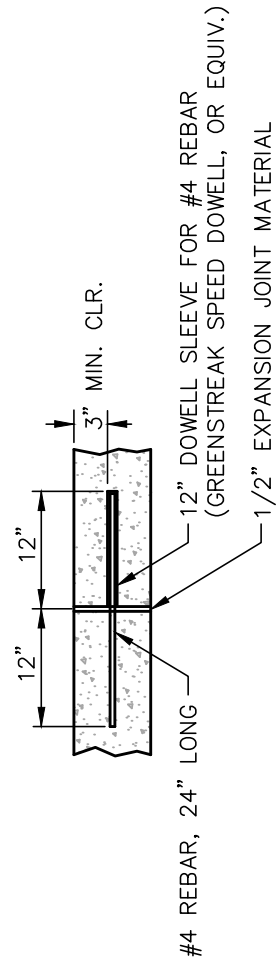
REV	DESCRIPTION	BY	APP'D	DATE

NOTES

- CROSS GUTTER FOR USE WITH TYPES "A" AND "B" CURB
- * EXPANSION JOINTS AS SHOWN (SEE STD 205 FOR JOINT DETAILS) ADD REBAR EXPANSION JOINT RESTRAINTS PER PLAN AND DETAIL
- APRON THICKNESS TO BE 8" MIN.
- CROSS GUTTER THICKNESS TO BE 8" MIN.
- CLASS 560-C-3250 CONCRETE MINIMUM GRADE 0.50%
- PLACE 6" CL. 2 AGG. BASE UNDER ENTIRE SPANDREL & CROSS GUTTER AREA
- ** VARIES DEPENDING ON CURB AND GUTTER AS SPECIFIED
- ALL GUTTER SHALL BE "FLOW TESTED" PRIOR TO PAVING
- USE CONCRETE CURING COMPOUND, ASTM C309/AASHTO M148, TYPE 2, CLASS A OR B, WITH WHITE PIGMENT. AFTER CURING, COMPOUND SHALL BE "POWER WASHED" OFF CONCRETE BEFORE ANY CONCRETE PAINTING OR THERMOPLASTIC APPLICATION



PLAN VIEW



REBAR EXPANSION JOINT RESTRAINT DETAIL

APPROVED BY:

Jillleen L. Ferris 8/11/2022
 JILLEEN L. FERRIS, CITY ENGINEER RCE 86193 DATE



CITY OF
 DESERT HOT SPRINGS

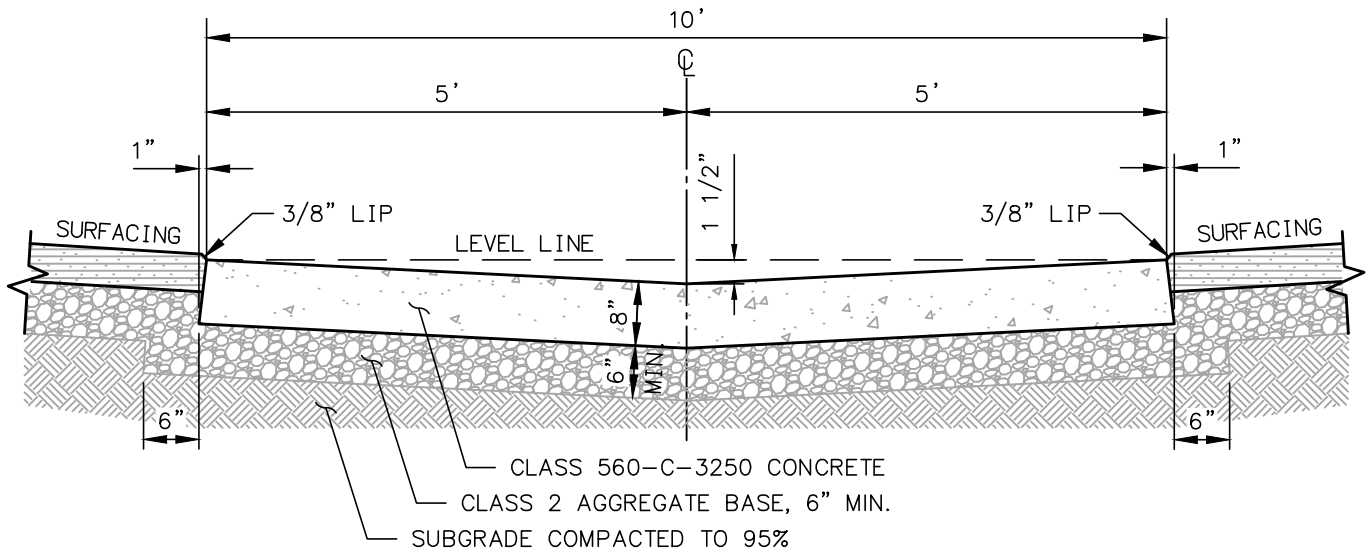
STANDARD
 DRAWING
 NUMBER

CROSS GUTTER
 (LAYOUT)

211

1 OF 2

REV	DESCRIPTION	BY	APP'D	DATE



CROSS GUTTER

CROSS GUTTER THICKNESS TO BE 8" MIN. CLASS 560-C-3250 CONCRETE

CROSS GUTTER MINIMUM GRADE 0.50%

ALL GUTTERS SHALL BE "FLOW TESTED" PRIOR TO PAVING

CONSTRUCT WEAKENED JOINT(S) AT MIDPOINT OF CROSS GUTTER LESS THAN 40' LONG AND AT 1/3 POINTS OF CROSS GUTTER 40' OR LONGER.

APPROVED BY:

Jillleen L. Ferris 8/11/2022
 JILLEEN L. FERRIS, CITY ENGINEER RCE 86193 DATE



CITY OF
 DESERT HOT SPRINGS

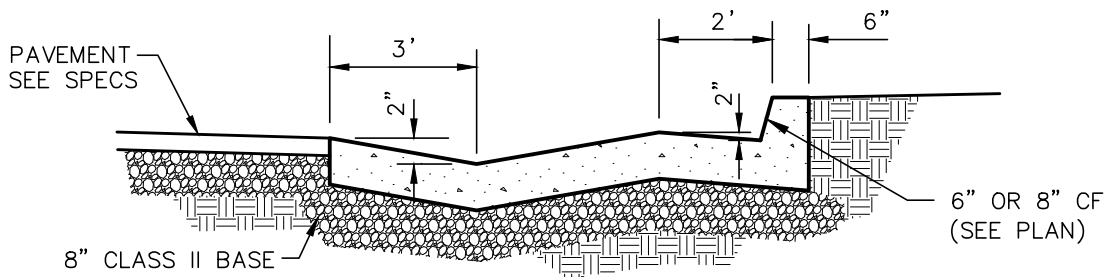
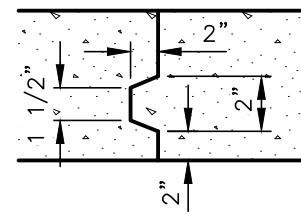
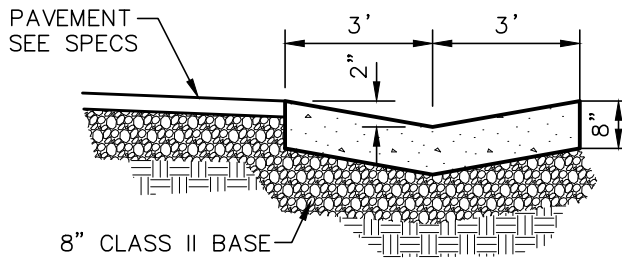
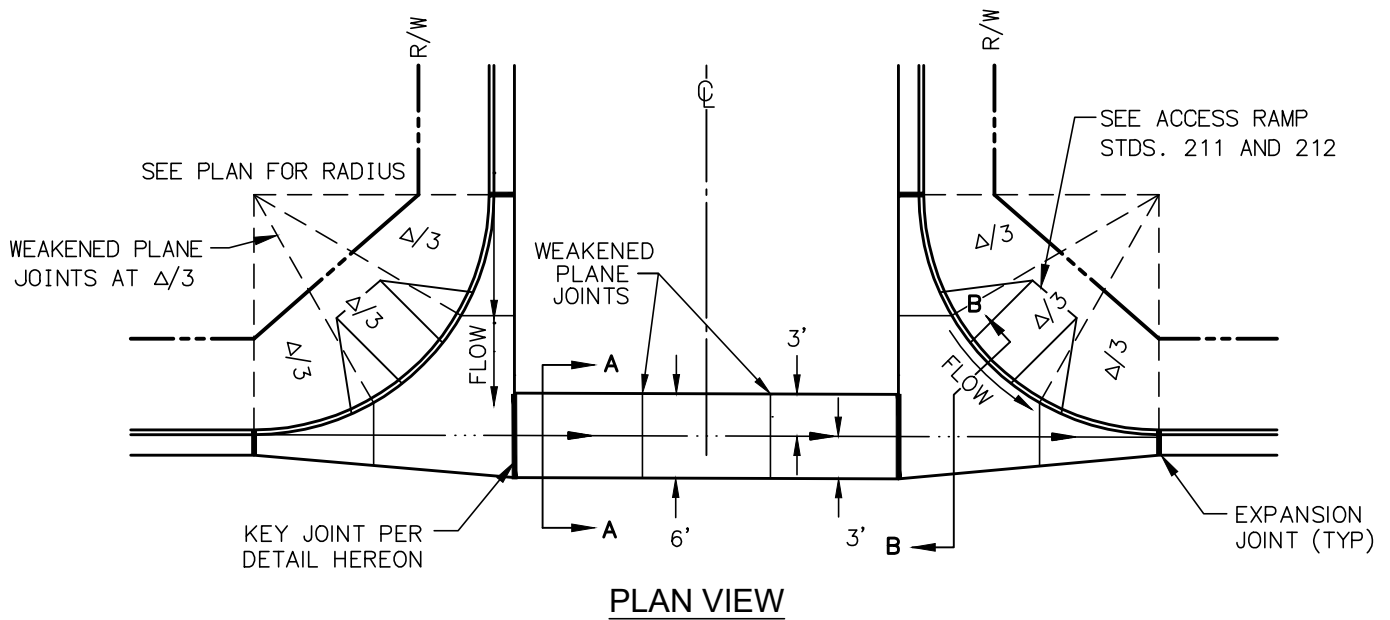
CROSS GUTTER
 (TYPICAL SECTION)

STANDARD
 DRAWING
 NUMBER

211

2 OF 2

REV	DESCRIPTION	BY	APP'D	DATE



SEE STANDARD NO. 211 FOR STANDARD CONSTRUCT SPECIFICATIONS

APPROVED BY:

Jillleen L. Ferris
 8/11/2022
 JILLEEN L. FERRIS, CITY ENGINEER RCE 86193 DATE



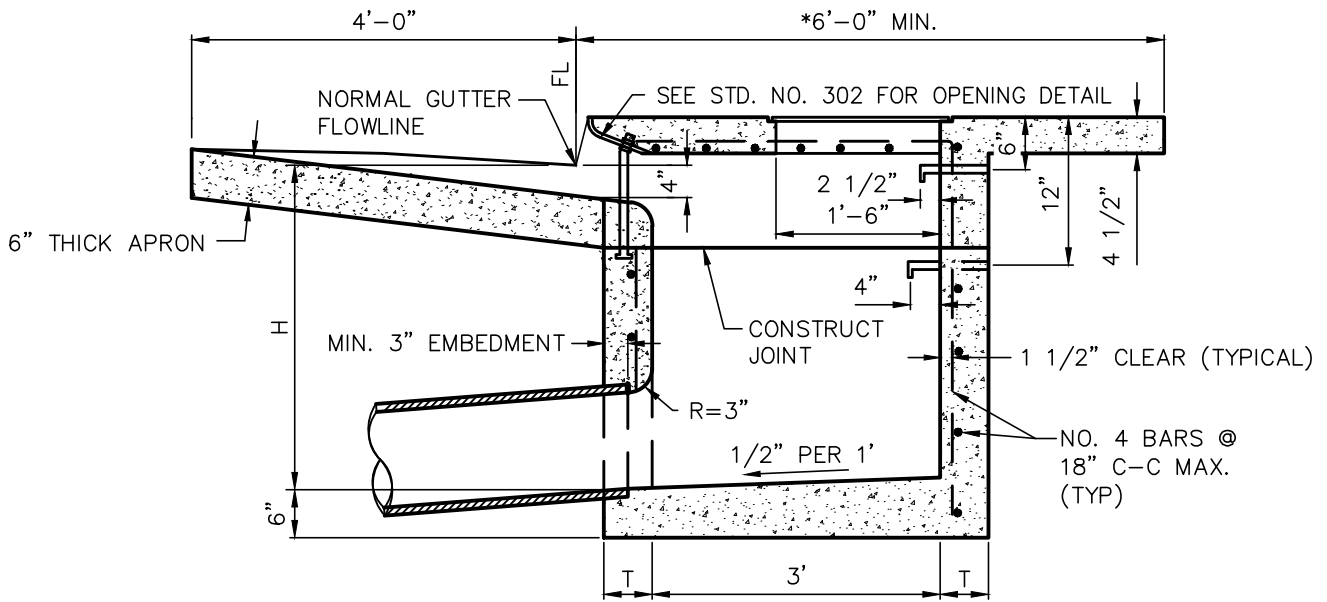
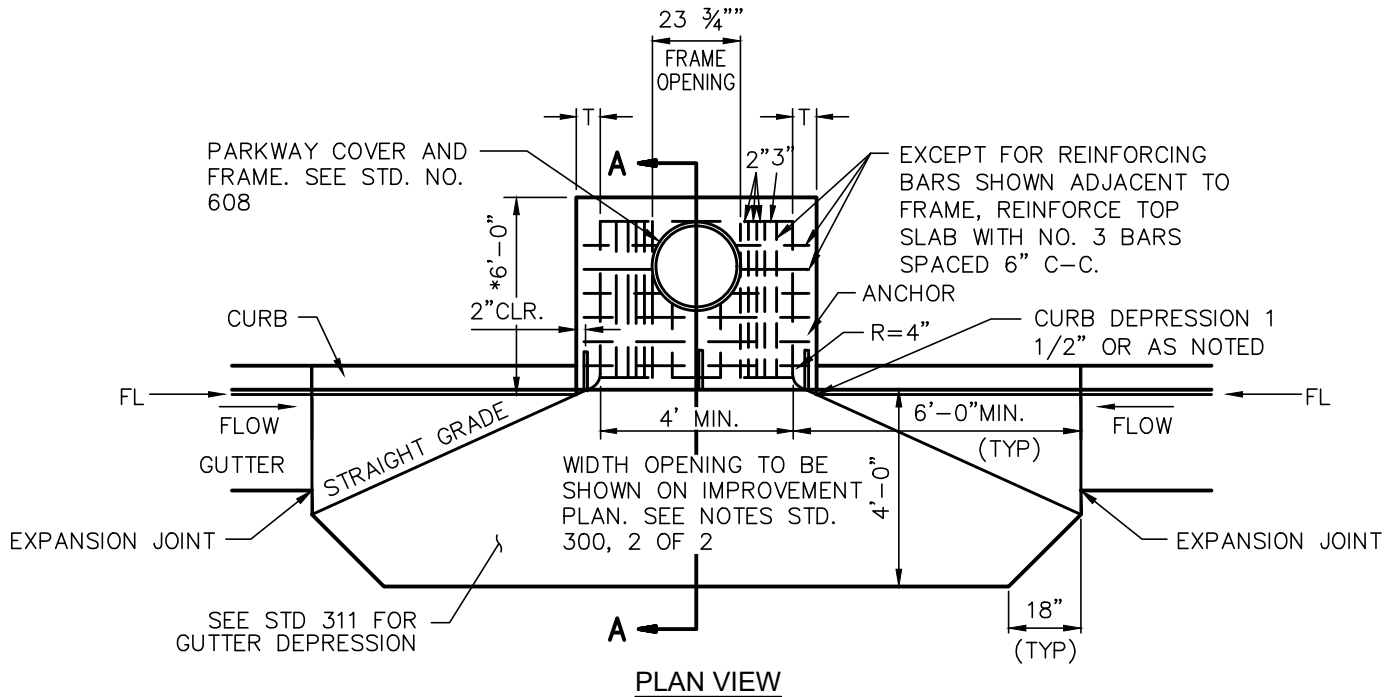
CITY OF
 DESERT HOT SPRINGS

RESIDENTIAL CROSS
 GUTTER, TYPE - 2
 FLOW GREATER THAN 2%

STANDARD
 DRAWING
 NUMBER

212

REV	DESCRIPTION	BY	APP'D	DATE



CATCH BASIN SHALL BE CLASS "A" P.C.C.
 *TOP OF CATCH BASIN TO BE POURED MONOLITHIC WITH SIDEWALK

SEE SHEET 2 OF 2 FOR NOTES

APPROVED BY:

Jillleen L. Ferris
 JILLEEN L. FERRIS, CITY ENGINEER RCE 86193
 8/11/2022 DATE



CITY OF
 DESERT HOT SPRINGS

CURB INLET
 CATCH BASIN

STANDARD
 DRAWING
 NUMBER

300
 1 OF 2

REV	DESCRIPTION	BY	APP'D	DATE

NOTES:

CONNECTION PIPES MAY BE PLACED ANY POSITION AROUND THE WALLS, PROVIDED THEY POINT IN THE PROPER DIRECTION AND THE POSITION IS OTHERWISE CONSISTENT WITH THE IMPROVEMENT PLANS.

CURVATURE OF THE LIP AND SIDEWALLS AT GUTTER OPENING SHALL BE FORMED BY CURVED FORMS AND SHALL NOT BE MADE BY PLASTERING.

DIMENSIONS:

- W = 4' MINIMUM, AND SHOULD BE SHOWN ON IMPROVEMENT PLAN
- T = 6" IF H IS 8' OR LESS
- T = 8" IF H IS GREATER THAN 8' AND LESS THAN 20'
- H = 3'-6", UNLESS OTHERWISE SPECIFIED

FLOOR OF BASIN SHALL BE GIVEN A STEEL-TROWELLED FINISH.

MANHOLE SHALL BE PLACED AS SHOWN ON STANDARD NO. 300, UNLESS NOTED DIFFERENTLY ON IMPROVEMENT PLANS.

OUTLET PIPE SHALL BE TRIMMED TO THE FINAL SHAPE AND LENGTH BEFORE CONCRETE IS POURED.

OPENING SHALL BE 4'-0" UNLESS OTHERWISE SPECIFIED.

REINFORCING STEEL SHALL BE NO. 3 ROUND DEFORMED BARS IN TOP SLAB AND NO. 4 BARS AT 18 INCH CENTERS IN SIDES OF BOX.

STEPS SHALL BE 3/4" PLAIN ROUND GALVANIZED STEEL AND SHALL BE ALHAMBRA FDY. A-3320 OR EQUAL.

IF H IS 3.5 FEET OR LESS, NO STEPS ARE REQUIRED.

IF H IS MORE THAN 3.5 FEET, AND NOT MORE THAN 5', INSTALL 1 STEP 16" ABOVE FLOOR OF BASIN.

IF H IS MORE THAN 5 FEET, INSTALL STEPS 12" APART, WITH THE TOP STEP 6" BELOW THE SURFACE OF THE BASIN.

ALL STEPS SHALL BE 4" FROM THE WALL, EXCEPT THE TOP STEP, WHICH SHALL BE 2 1/2" (CLEAR) FROM THE WALL, AND ANCHORED NOT LESS THAN 5 INCHES IN THE WALL OF THE BASIN.

SURFACE OF ALL EXPOSED CONCRETE IN BASIN SHALL CONFORM IN SLOPE, GRADES, COLOR, FINISH AND SCORING TO EXISTING OR PROPOSED CURB AND WALL ADJACENT TO THE BASIN.

CONCRETE SHALL BE CLASS 560-C-3250. WHEN THE BASIN IS CONTIGUOUS TO A SIDEWALK, THE TOP OF THE BASIN SHALL BE POURED MONOLITHIC WITH THE SIDEWALK USING CLASS 560-C-3250 CONCRETE FOR THE SIDEWALK AND THE TOP OF THE CATCH BASIN FINISHED PER SIDEWALK STANDARDS,

SEE SHEET 1 OF 2 FOR SKETCH

APPROVED BY:

Jillleen L. Ferris 8/11/2022
 JILLEEN L. FERRIS, CITY ENGINEER RCE 86193 DATE



CITY OF
 DESERT HOT SPRINGS

CURB INLET
 CATCH BASIN

STANDARD
 DRAWING
 NUMBER

300

2 OF 2

REV	DESCRIPTION	BY	APP'D	DATE

NOTES:

BASIN SHALL HAVE ONE GRATING UNLESS OTHERWISE SPECIFIED ON IMPROVEMENT PLANS. GRATE AND FRAME SHALL BE ALHAMBRA FOUNDRY A-1555 AND A-1557, RESPECTIVELY, OR APPROVED EQUAL. ONLY BICYCLE PROOF GRATES WILL BE ALLOWED.

CONCRETE SHALL BE CLASS 560-C-3250. WHEN THE BASIN IS TO BE CONSTRUCTED WITHIN THE LIMITS OF A PROPOSED SIDEWALK OR IS CONTIGUOUS TO SUCH A SIDEWALK, THE TOP OF THE BASIN SHALL BE POURED MONOLITHIC WITH THE SIDEWALK, USING CLASS 560-C-3250 CONCRETE FOR THE SIDEWALK. THE TOP OF THE CATCH BASIN SHALL BE FINISHED PER SIDEWALK STANDARDS.

CONNECTION PIPES MAY BE PLACED IN ANY POSITION AROUND THE WALLS, PROVIDED THEY POINT IN THE PROPER DIRECTION AND THE POSITION IS OTHERWISE CONSISTENT WITH THE IMPROVEMENT PLAN.

CURVATURE OF THE END-WALLS AT CURB OPENING SHALL BE FORMED BY CURVED FORMS AND SHALL NOT BE MADE BY PLASTERING.

DIMENSIONS:

GRATE SHALL BE PARALLEL TO PLANE OF GUTTER SLOPE. 3/4" TO 1'-0".

T = 6" IF H = 8' OR LESS

T = 8" IF H IS GREATER THAN 8' AND LESS THAN 20'

H = 3'-6", UNLESS OTHERWISE SPECIFIED ON IMPROVEMENT PLANS

W = 2'-11 3/8" FOR ONE GRATING; ADD 3'-5 3/8" FOR EACH ADDITIONAL GRATING. W MUST BE SHOWN ON IMPROVEMENT PLANS.

EXPOSED SURFACES OF THE CATCH BASIN SHALL CONFORM IN SLOPE, GRADE, COLOR, FINISH, AND SCORING TO EXISTING IMPROVEMENTS ADJACENT TO THE BASIN. WHERE NO SIDEWALK EXISTS, THE TOP SHALL BE FINISHED TO CONFORM TO STANDARD SIDEWALK SLOPE AND FINISH. WHERE NO CURB EXISTS, THE BATTER OF EXPOSED END WALLS ABOVE THE STREET SURFACE SHALL CONFORM TO BATTER FOR STANDARD CURB.

FLOOR OF BASIN SHALL BE GIVEN A STEEL-TROWELLED FINISH.

OUTLET PIPE SHALL BE TRIMMED TO THE FINAL SHAPE AND LENGTH BEFORE CONCRETE IS POURED.

REINFORCING STEEL SHALL BE NO. 4 DEFORMED BARS. CLEARANCE SHALL BE 1 1/2" FROM INSIDE OF BOX. SPACING IS AS SHOWN IN TOP SLAB AND AT 18" CENTERS IN SIDES OF BOX.

SLOPE OF FLOOR PARALLEL WITH CURB SHALL BE 1:12 UNLESS OTHERWISE SPECIFIED. SLOPE FLOOR FROM ALL DIRECTIONS TO THE OUTLET.

STEPS:

3/4" PLAIN ROUND GALVANIZED STEEL STEPS ARE REQUIRED AS FOLLOWS:

ALHAMBRA FDY. A-3320 OR EQUAL

IF H IS 3.5' OR LESS, NO STEPS ARE REQUIRED.

IF H IS MORE THAN 3.5', AND NOT MORE THAN 5', INSTALL ONE STEP 16" ABOVE FLOOR OF BASIN.

IF H IS MORE THAN 5', INSTALL STEPS 12" APART, WITH THE TOP STEP 6" BELOW THE TOP OF GRATING. ALL STEPS SHALL BE 4" CLEAR FROM THE WALL EXCEPT THE TOP STEP, WHICH SHALL BE 2 1/2" CLEAR FROM THE WALL AND ANCHORED NOT LESS THAN 5" IN WALL OF BASIN.

SEE SHEET 1 OF 2 FOR SKETCH

APPROVED BY:

Jillleen L. Ferris 8/11/2022
 JILLEEN L. FERRIS, CITY ENGINEER RCE 86193 DATE



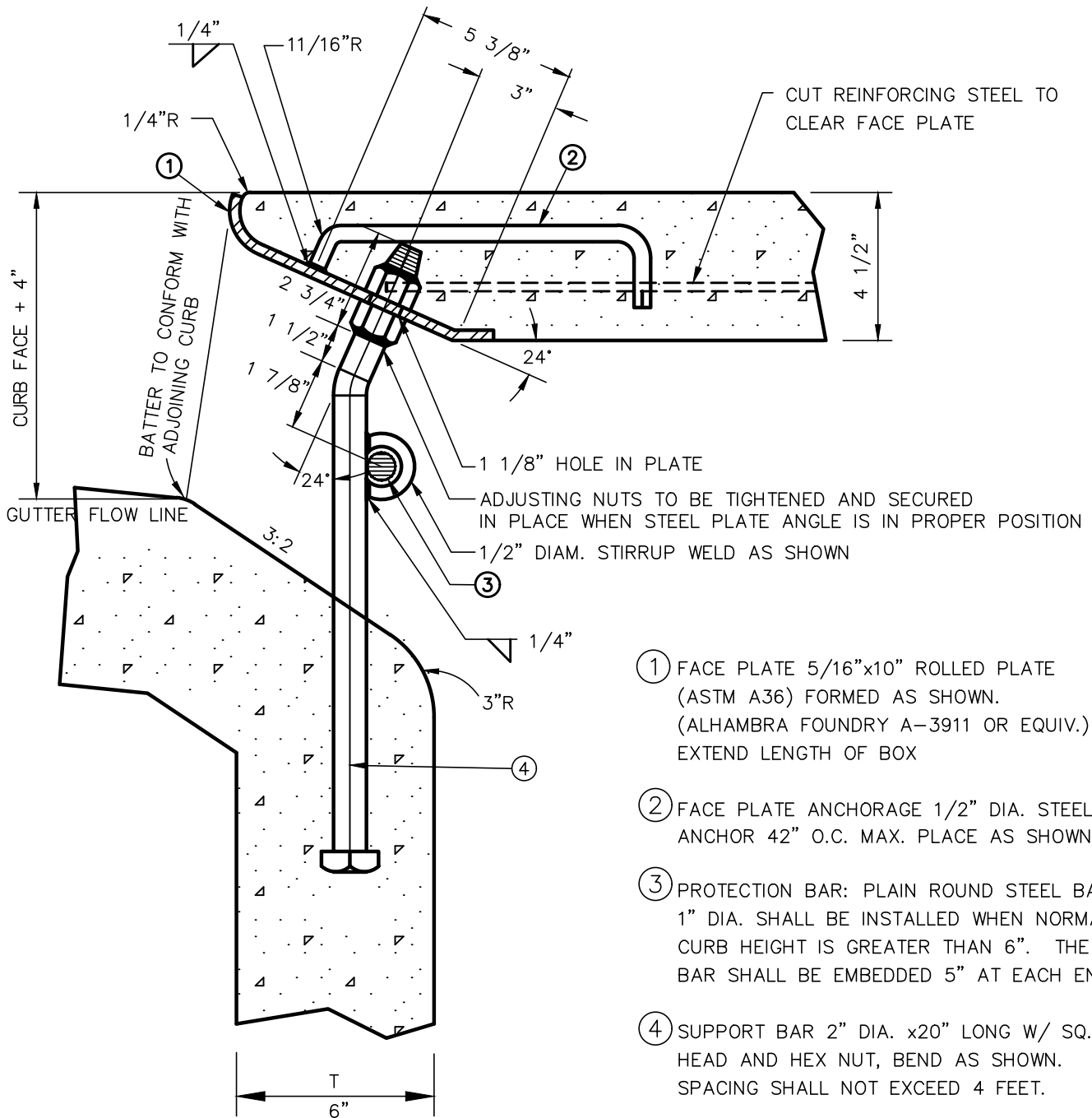
CITY OF
 DESERT HOT SPRINGS

COMBINATION INLET
 CATCH BASIN NO. 2

STANDARD
 DRAWING
 NUMBER

301
 2 OF 2

REV	DESCRIPTION	BY	APP'D	DATE



SECTION THROUGH CURB FACE

- ① FACE PLATE 5/16"x10" ROLLED PLATE (ASTM A36) FORMED AS SHOWN. (ALHAMBRA FOUNDRY A-3911 OR EQUIV.) EXTEND LENGTH OF BOX
- ② FACE PLATE ANCHORAGE 1/2" DIA. STEEL ANCHOR 42" O.C. MAX. PLACE AS SHOWN
- ③ PROTECTION BAR: PLAIN ROUND STEEL BAR 1" DIA. SHALL BE INSTALLED WHEN NORMAL CURB HEIGHT IS GREATER THAN 6". THE BAR SHALL BE EMBEDDED 5" AT EACH END.
- ④ SUPPORT BAR 2" DIA. x20" LONG W/ SQ. HEAD AND HEX NUT, BEND AS SHOWN. SPACING SHALL NOT EXCEED 4 FEET.
- ⑤ ALL EXPOSED METAL PARTS SHALL BE GALVANIZED.

APPROVED BY:

Jillleen L. Ferris
 JILLEEN L. FERRIS, CITY ENGINEER RCE 86193
 8/11/2022 DATE



**CITY OF
 DESERT HOT SPRINGS**

STANDARD
 DRAWING
 NUMBER

**CURB SUPPORT DETAIL
 CATCH BASIN INLET**

302

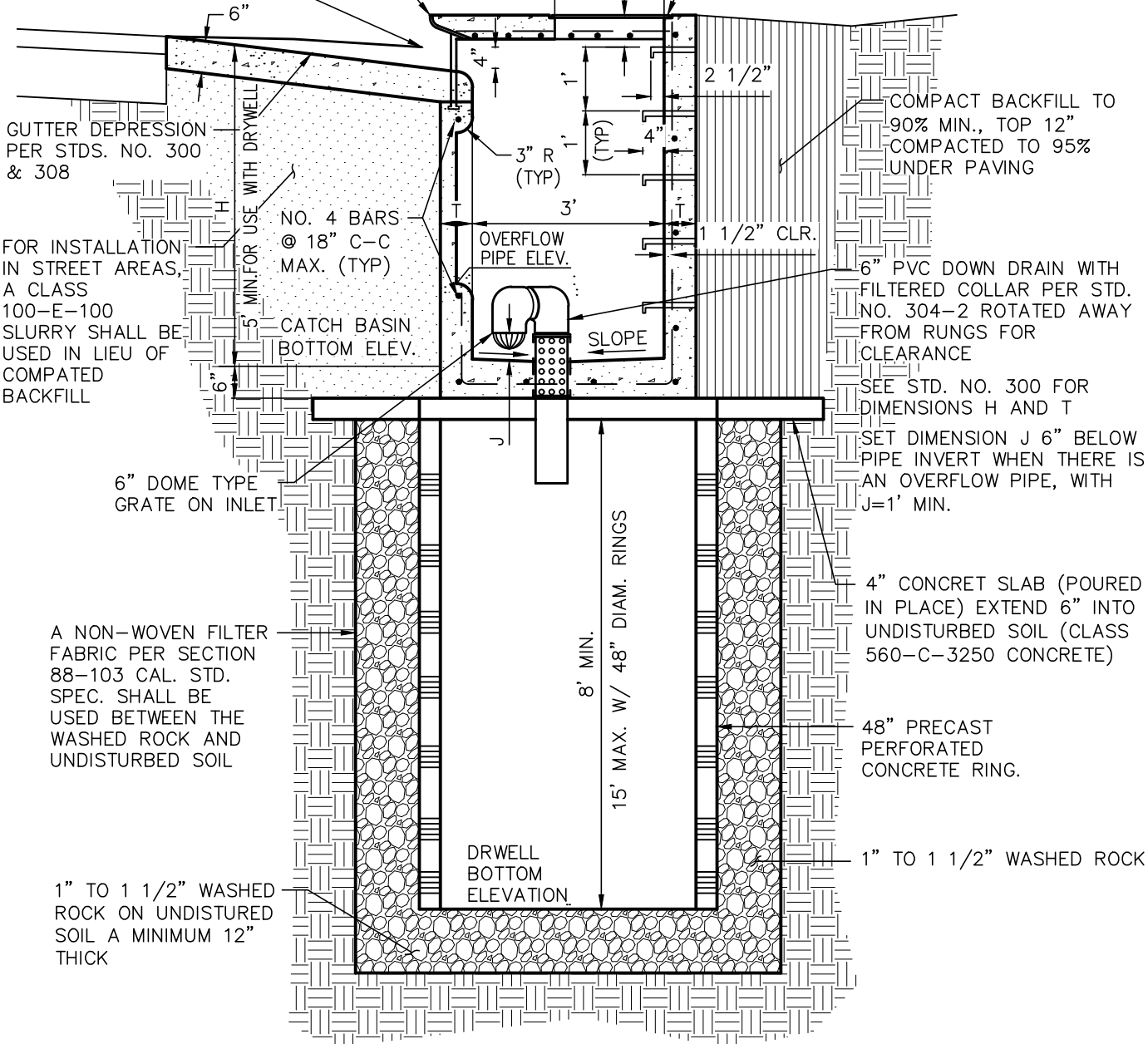
REV	DESCRIPTION	BY	APP'D	DATE

NOTE:
ANY JOINTS ABOVE THE
LEACHING AREA SHALL BE
MORTAR SEALED INSIDE AND
OUT

24" DIA. C.I. GRATE AND FRAME
ALHAMBRA FOUNDRY A-1200 OR
APP'D. EQUAL. ADAPT AS
REQUIRED FOR "V" GUTTER AND
CURB & GUTTER INSTALLATION.
SET RIM TO GRADE WITH PRECAST
RISERS.
SEE STD. NO. 300 FOR TOP VIEW
CONSTRUCTION DETAILS & TYPICAL
INSTALLATION

SEE STD. NO. 305 FOR
OPENING DETAIL INLET
WIDTH PER PLAN (4'
MIN.)

NORMAL GUTTER FL



GUTTER DEPRESSION
PER STDS. NO. 300
& 308

FOR INSTALLATION
IN STREET AREAS,
A CLASS
100-E-100
SLURRY SHALL BE
USED IN LIEU OF
COMPACTED
BACKFILL

NO. 4 BARS
@ 18" C-C
MAX. (TYP)

CATCH BASIN
BOTTOM ELEV.

6" DOME TYPE
GRATE ON INLET

A NON-WOVEN FILTER
FABRIC PER SECTION
88-103 CAL. STD.
SPEC. SHALL BE
USED BETWEEN THE
WASHED ROCK AND
UNDISTURBED SOIL

1" TO 1 1/2" WASHED
ROCK ON UNDISTURBED
SOIL A MINIMUM 12"
THICK

OVERFLOW
PIPE ELEV.

SLOPE

DRWELL
BOTTOM
ELEVATION

COMPACT BACKFILL TO
90% MIN., TOP 12"
COMPACTED TO 95%
UNDER PAVING

6" PVC DOWN DRAIN WITH
FILTERED COLLAR PER STD.
NO. 304-2 ROTATED AWAY
FROM RUNGS FOR
CLEARANCE

SEE STD. NO. 300 FOR
DIMENSIONS H AND T
SET DIMENSION J 6" BELOW
PIPE INVERT WHEN THERE IS
AN OVERFLOW PIPE, WITH
J=1' MIN.

4" CONCRETE SLAB (POURED
IN PLACE) EXTEND 6" INTO
UNDISTURBED SOIL (CLASS
560-C-3250 CONCRETE)

48" PRECAST
PERFORATED
CONCRETE RING.

1" TO 1 1/2" WASHED ROCK

APPROVED BY:

Jillleen L. Ferris
JILLEEN L. FERRIS, CITY ENGINEER RCE 86193
8/11/2022
DATE



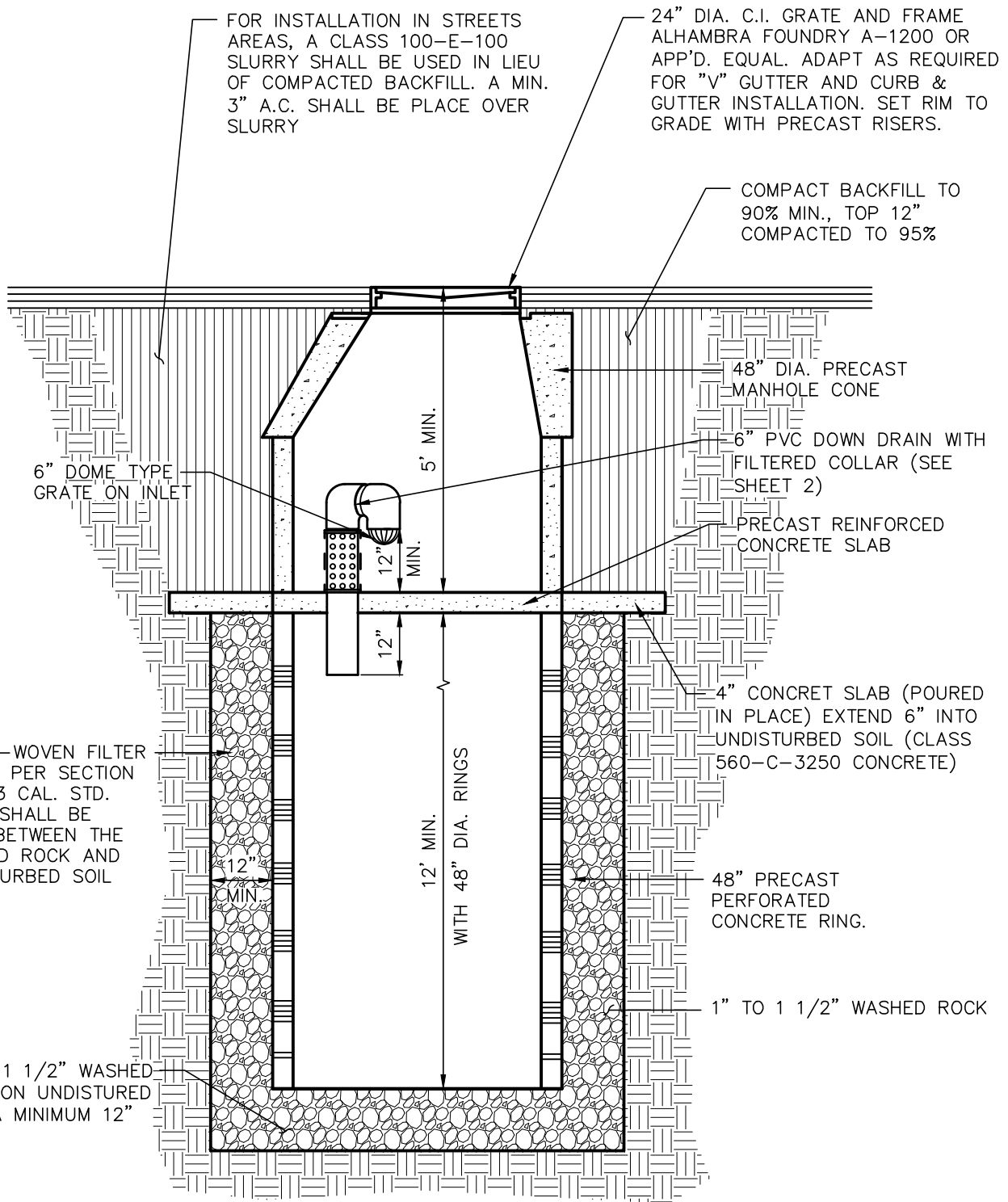
CITY OF
DESERT HOT SPRINGS

STANDARD
DRAWING
NUMBER

COMBINATION CURB INLET
CATCH BASIN / DRYWELL

303

REV	DESCRIPTION	BY	APP'D	DATE



NOTE
 ALL JOINTS ABOVE THE LEACHING AREA SHALL BE MORTAR SEALED INSIDE AND OUT. MAXIMUM PERCOLATION RATE = 2"/HOUR, THE SURFACE AREA FOR PERCOLATION MAY BE THE OUTSIDE AREA OF THE GRAVEL (6.5' DIA. TYP.)

APPROVED BY:

Jilleen L. Ferris
 JILLEEN L. FERRIS, CITY ENGINEER RCE 86193
 8/11/2022 DATE



CITY OF
 DESERT HOT SPRINGS

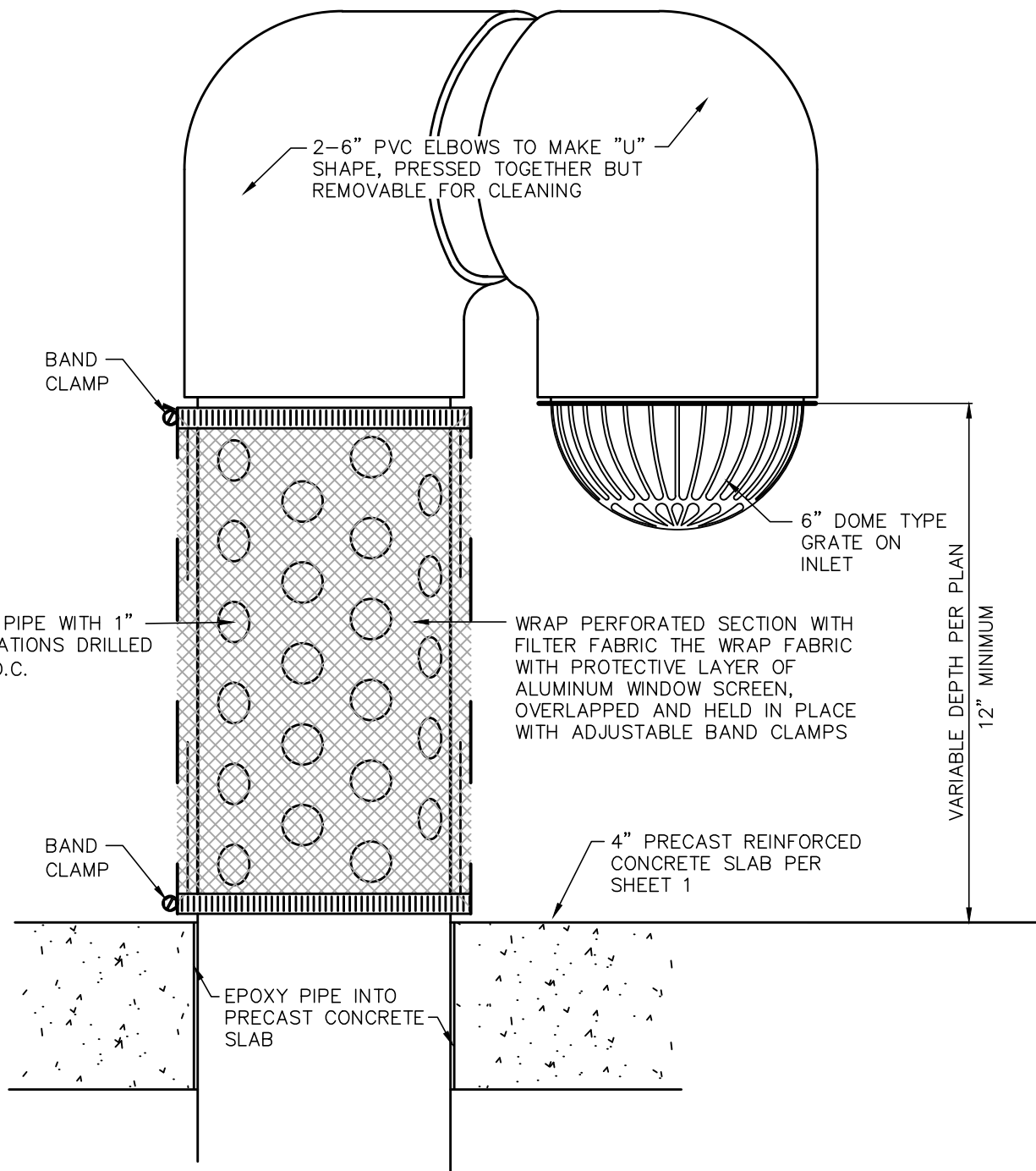
STANDARD DRYWELL

STANDARD
 DRAWING
 NUMBER

304

1 OF 2

REV	DESCRIPTION	BY	APP'D	DATE



APPROVED BY:

Jillleen L. Ferris 8/11/2022
 JILLEEN L. FERRIS, CITY ENGINEER RCE 86193 DATE



CITY OF
DESERT HOT SPRINGS

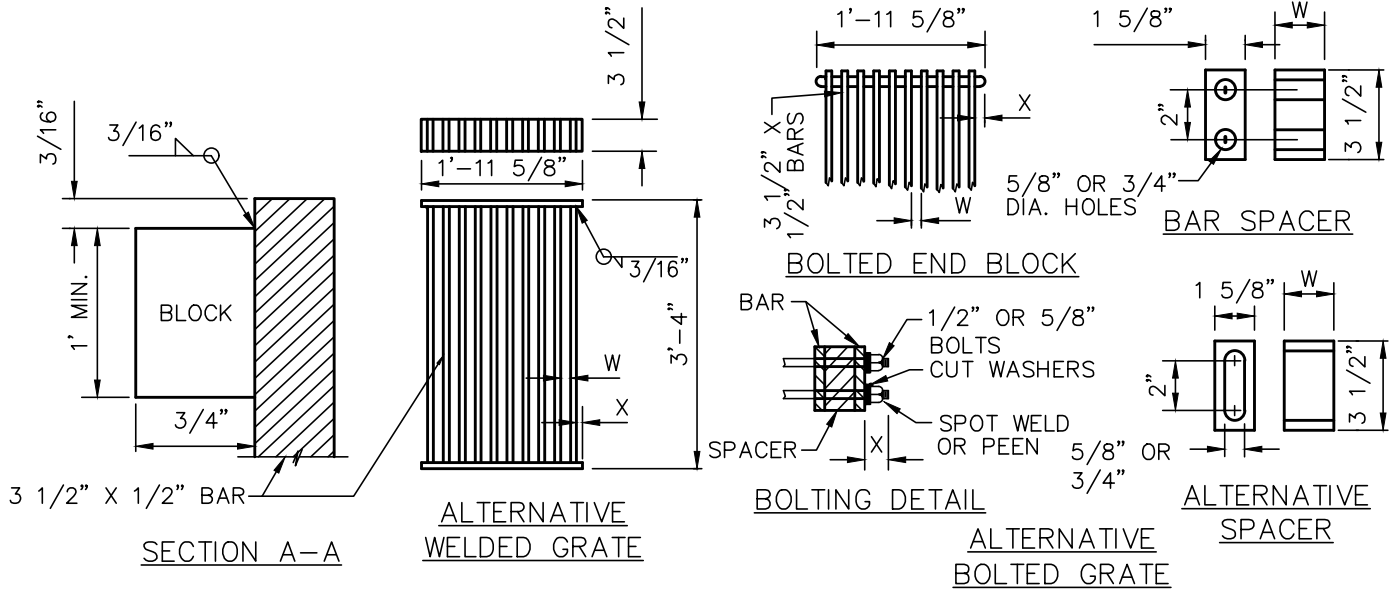
STANDARD DRYWELL

STANDARD
DRAWING
NUMBER

304

2 OF 2

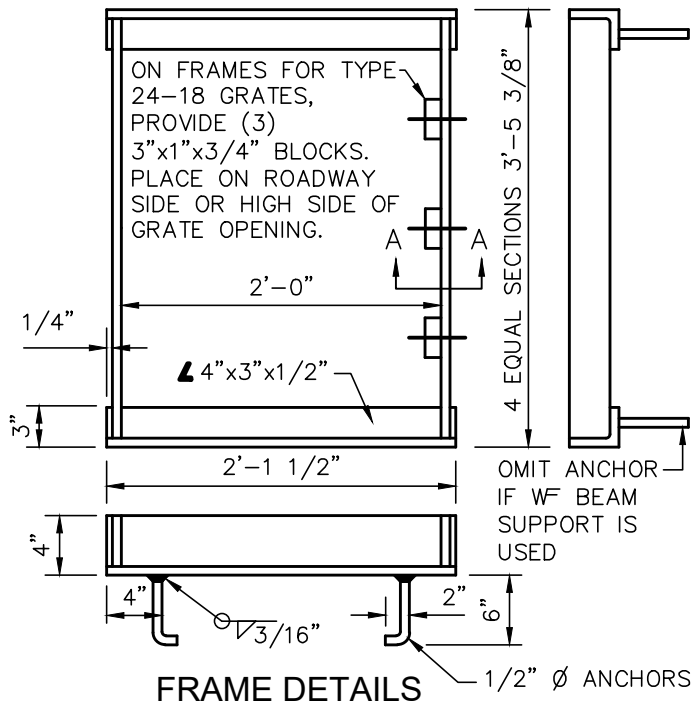
REV	DESCRIPTION	BY	APP'D	DATE



GRATE DETAILS
 (SEE TABLE BELOW)

TYPE	NO. BARS	"W"	"X"	USAGE
24-9	9	2"	1 9/16"	USE IN LOCATIONS OFF THE ROADBED ON ALL TYPES OF HIGHWAYS
24-12	12	1 3/8"	1 1/4"	USE WITHIN THE ROADBED ON HIGHWAYS WHERE BICYCLES AND PEDESTRIANS ARE EXCLUDED, OR FOR RURAL CONDITIONS.
24-18	18	3/4"	15/16"	USE WITHIN THE ROADBED UNDER URBAN CONDITIONS WHERE BICYCLES AND PEDESTRIANS ARE PERMITTED.

TYPE	WEIGHTS	
	WELDED	BOLTED
24 -9	200	230
24 -12	258	286
24 -18	372	400
24" FRAME	90	-



GENERAL NOTES:

- GRATE TYPE NUMBERS REFER TO WIDTH OF GRATE IN INCHES AND NUMBER OF BARS RESPECTIVELY.
- CONTRACTOR HAS THE OPTION OF USING WELDED OR BOLTED GRATES.
- GRATES AND FRAMES TO BE PAINTED.
- ROUNDED TOP OF BARS OPTIONAL ON ALL GRATES.
- GRATE SHALL BE PLACED SO THAT BARS ARE PARALLEL TO DIRECTION OF PRINCIPAL SURFACE FLOW.
- GRATE SHALL BE HOT DIPPED GALVANIZED.

APPROVED BY:

Jillleen L. Ferris
 8/11/2022
 JILLEEN L. FERRIS, CITY ENGINEER RCE 86193 DATE



**CITY OF
 DESERT HOT SPRINGS**

STANDARD
 DRAWING
 NUMBER

**GRATE AND FRAME
 DETAILS**

305

REV	DESCRIPTION	BY	APP'D	DATE

NOTES:

1. CONCRETE SHALL BE CLASS "A" WHEN STRUCTURE IS TO BE CONSTRUCTED WITHIN THE LIMITS OF A PROPOSED SIDEWALK OR IS CONTIGUOUS TO SUCH SIDEWALK, THE TOP OF THE STRUCTURE SHALL BE POURED MONOLITHIC WITH THE SIDEWALK, USING THE SAME CLASS OF CONCRETE AS IN THE SIDEWALK.
2. DIMENSIONS SHALL BE AS FOLLOWS UNLESS OTHERWISE SPECIFIED ON THE PLAN:
 $A - B = 5'$
 $C_1 - D_1 = 3'$
 $E - F = 5'$
 $W = 3'$
3. FLOOR OF STRUCTURE SHALL BE GIVEN A STEEL-TROWELED FINISH AND CONSTRUCTED ON A STRAIGHT GRADE FROM BACK OF STRUCTURE TO GUTTER FLOW-LINE AT POINT A. THE V-SECTION SPECIFIED FOR INVERT SHALL EXTEND FROM PIPE OUTLET TO A POINT 3' FROM THE GUTTER, FROM WHICH POINT THE INVERT SHALL BE WARPED TO JOIN THE GUTTER FLOW-LINE AT THE STRUCTURE.
4. REINFORCING STEEL BARS SHALL BE 1" FROM BOTTOM OF THE SLAB.
5. SURFACE OF ALL EXPOSED CONCRETE SHALL CONFORM TO EXISTING OR PROPOSED CURB AND WALK ADJACENT TO THE STRUCTURE.
6. CORRUGATED METAL FORMS SHALL NOT BE USED FOR SUPPORTING THE TOP SLAB.
7. TOP OF STRUCTURE SHALL SLOPE 2% TOWARD CURB EXCEPT WHEN OTHERWISE SHOWN ON PLAN OR TO FIT EXISTING SIDEWALK.
8. TRANSITION FROM PIPE TO STRUCTURE, IF REQUIRED, TO BE IN BACK OF SIDEWALK. DIMENSIONS OF TRANSITION SHALL BE SPECIFIED ON THE PLAN.
9. WHEN ABUTTING SOIL HAS A HIGH SULFATE CONTENT, SPECIAL CONSIDERATIONS ARE REQUIRED SEE SPECIFICATIONS (SECTION 16.04).

APPROVED BY:

Jillleen L. Ferris 8/11/2022
 JILLEEN L. FERRIS, CITY ENGINEER RCE 86193 DATE



CITY OF
 DESERT HOT SPRINGS

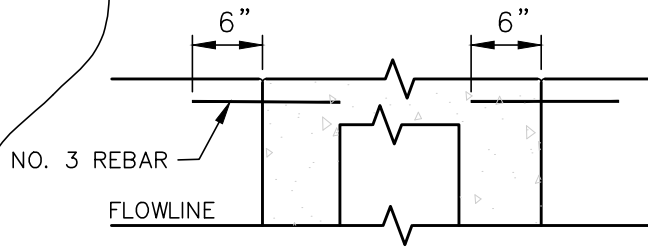
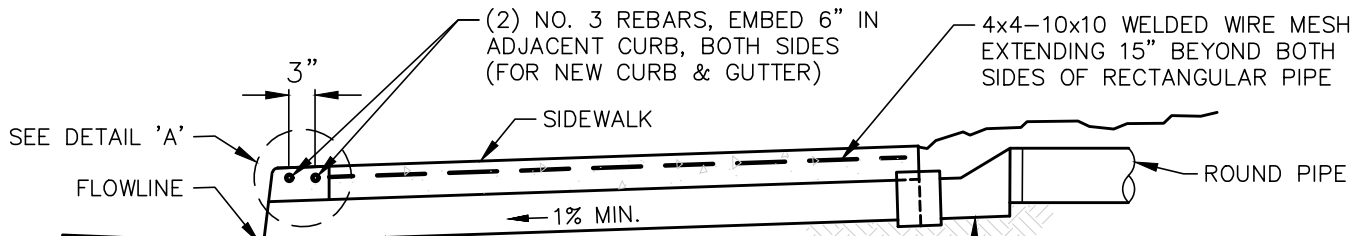
STANDARD
 DRAWING
 NUMBER

CURB OUTLET
 NOTES

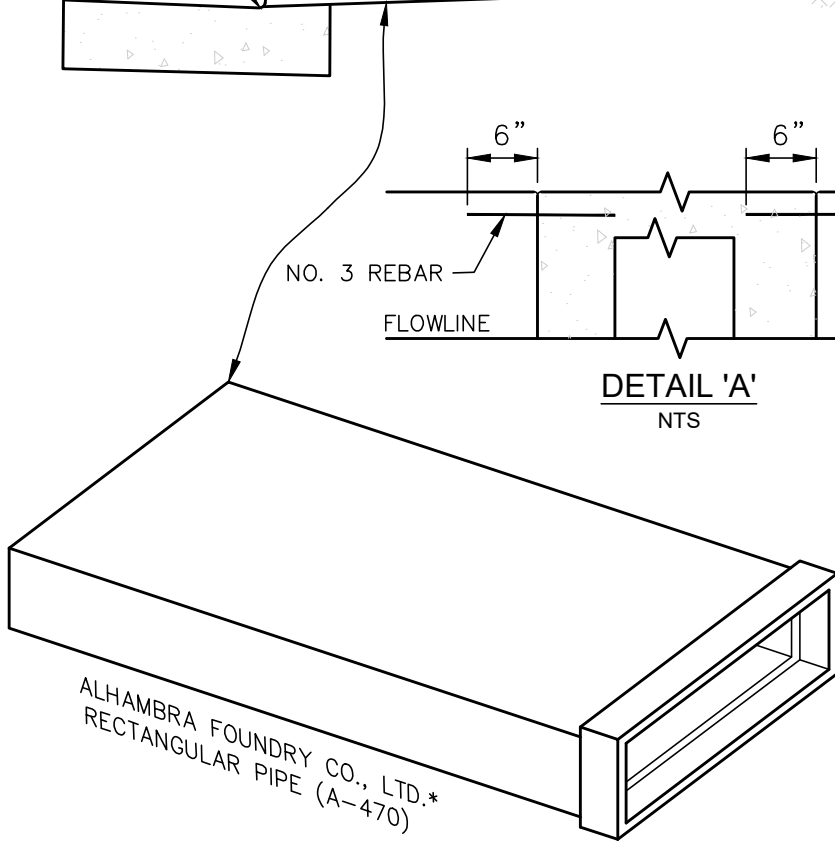
306

2 OF 2

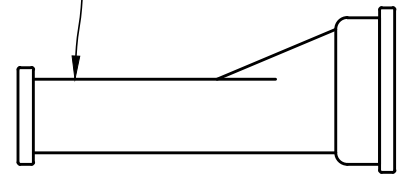
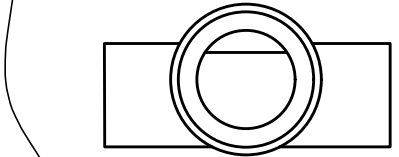
REV	DESCRIPTION	BY	APP'D	DATE



DETAIL 'A'
NTS

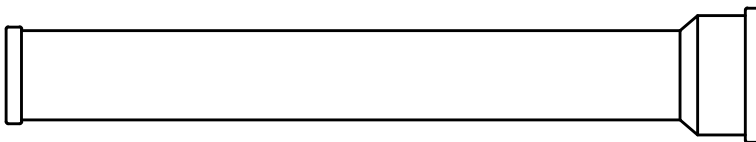


ALHAMBRA FOUNDRY CO., LTD.*
RECTANGULAR PIPE (A-470)



ALHAMBRA FOUNDRY CO., LTD.*
ADAPTOR (A-480)

ROUND PIPE	RECT. PIPE	LAYING LENGTH
4"	3" x 5"	1'-0"
5"	3" x 9"	1'-0"
6"	3" x 12 1/2"	1'-0"
8"	4" x 14"	1'-0"



OUTSIDE PIPE	OUTSIDE HUBS	TRANSVERSE AREA-NET	LAYING LENGTH
3" x 5"	4 1/4" x 6 1/4"	11.25 SQ. IN.	5'-0"
3" x 5"	4 1/4" x 6 1/4"	11.25 SQ. IN.	2'-6"
3" x 9"	4 1/4" x 10 1/4"	21.20 SQ. IN.	5'-0"
3" x 12 1/2"	4 1/4" x 14"	30.00 SQ. IN.	5'-0"
3" x 12 1/2"	4 1/4" x 14"	30.00 SQ. IN.	2'-6"
4" x 14"	5 1/4" x 15 1/4"	47.50 SQ. IN.	5'-0"
4" x 14"	5 1/4" x 15 1/4"	47.50 SQ. IN.	2'-6"

*ALTERNATIVE SYSTEMS MAY BE UTILIZED. USE OF ANY OTHER SYSTEM IS SUBJECT TO REVIEW AND APPROVAL BY THE CITY ENGINEER.

APPROVED BY:

Jillleen L. Ferris
JILLEEN L. FERRIS, CITY ENGINEER RCE 86193
8/11/2022 DATE



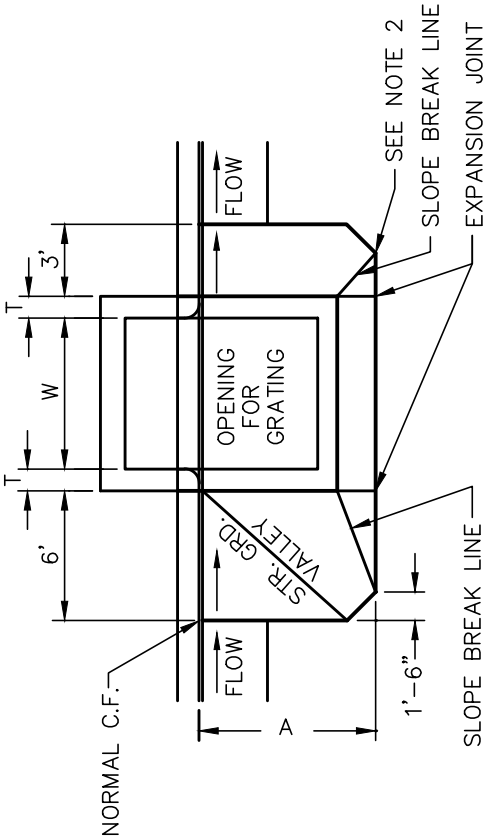
CITY OF
DESERT HOT SPRINGS

STANDARD
DRAWING
NUMBER

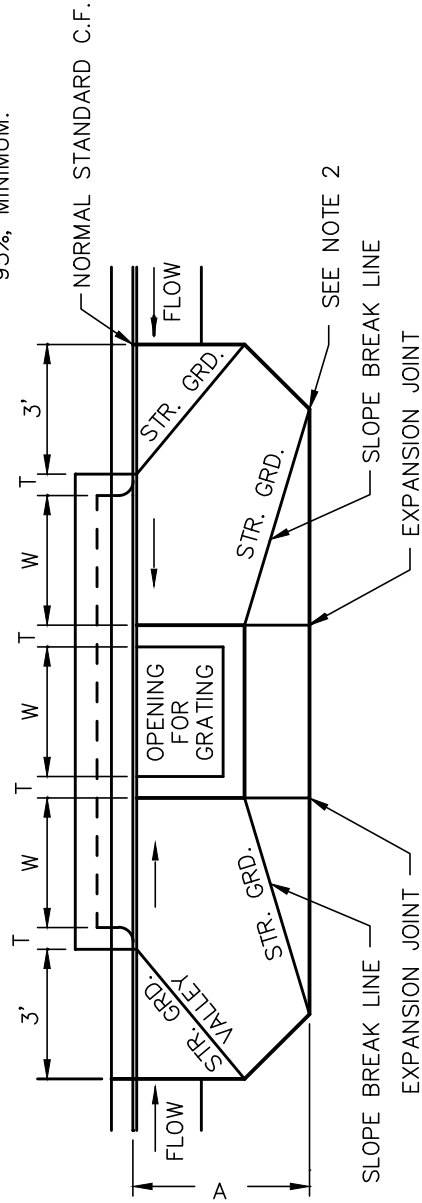
UNDER SIDEWALK
DRAIN

307

REV	DESCRIPTION	BY	APP'D	DATE



CASE "A"



CASE "B" (SAG)

NOTES:

1. GUTTER DEPRESSIONS SHALL BE CASE "A" (SEE STD 302) UNLESS OTHERWISE SPECIFIED.
2. ELEVATIONS AT OUTER CORNERS SHOWN ON THE PROJECT DRAWINGS. IF NO ELEVATIONS ARE SPECIFIED, THE OUTER EDGE OF THE GUTTER DEPRESSION SHALL CONFORM TO THE FINISHED STREET SURFACE.
3. A = 4 FEET UNLESS OTHERWISE SPECIFIED.
T = SEE STD 302, SHT 2 OF 2
W = SEE STD 302, SHT 2 OF 2
4. WHERE NO CURB EXISTS, CURB SHALL BE CONSTRUCTED BETWEEN ENDS OF GUTTER DEPRESSION. CURB SECTION SHALL CONFORM TO A STD CURB APPROVED BY THE CITY ENGINEER.
5. DEPRESSION SHALL BE CLASS 560-C-3250 P.C. CONCRETE, (NO FLY ASH), PLACED OVER COMPACTED NATIVE OR AGGREGATE BASE MATERIALS. COMPACTION SHALL BE 90% RELATIVE TO MAXIMUM, EXCEPT IN THE TOP FOOT WHERE THE RELATIVE COMPACTION SHALL BE 95%, MINIMUM.

APPROVED BY:

Jillleen L. Ferris
 JILLEEN L. FERRIS, CITY ENGINEER RCE 86193
 8/11/2022 DATE



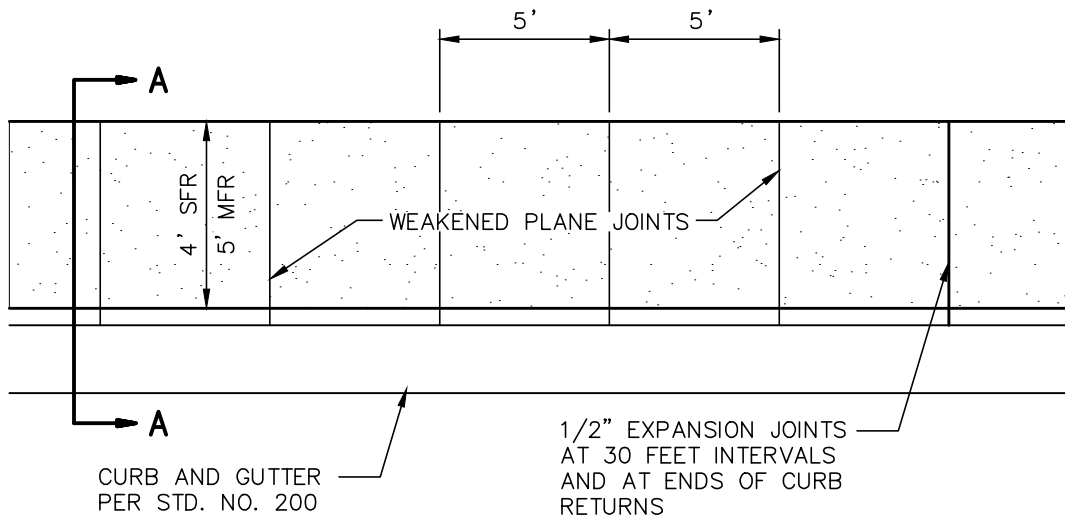
CITY OF
 DESERT HOT SPRINGS

STANDARD
 DRAWING
 NUMBER

GUTTER DEPRESSION
 For Combination Opening Catch Basin

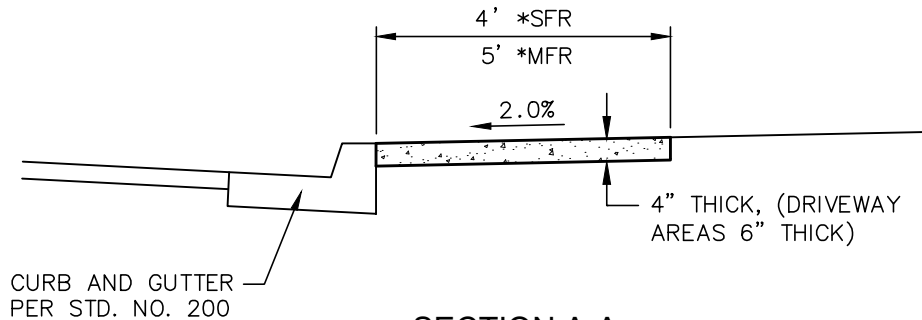
308

REV	DESCRIPTION	BY	APP'D	DATE

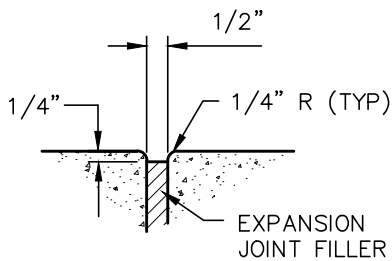


PLAN VIEW

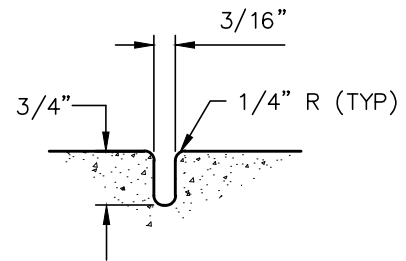
*SINGLE FAMILY RESIDENTIAL
*MULTI-FAMILY RESIDENTIAL



SECTION A-A



**EXPANSION JOINT
DETAIL**



**WEAKENED PLANE
JOINT DETAIL**

NOTE

1. USE CLASS "B" CONCRETE
2. CONCRETE TO RECEIVE A LIGHT BROOM FINISH.

APPROVED BY:

Jillleen L. Ferris
JILLEEN L. FERRIS, CITY ENGINEER RCE 86193
8/11/2022 DATE



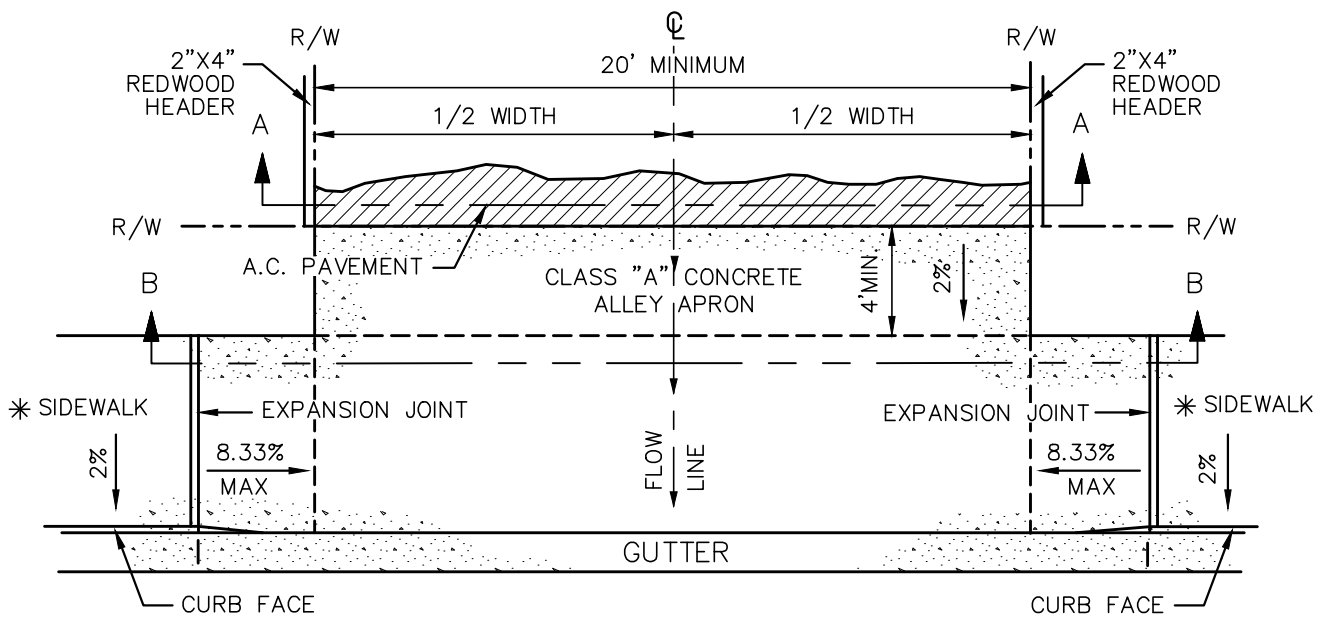
CITY OF
DESERT HOT SPRINGS

STANDARD SIDEWALK
RESIDENTIAL AREA

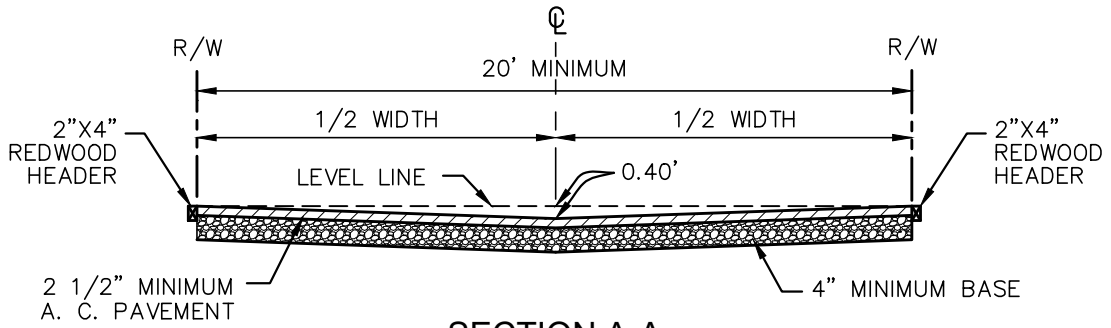
STANDARD
DRAWING
NUMBER

400

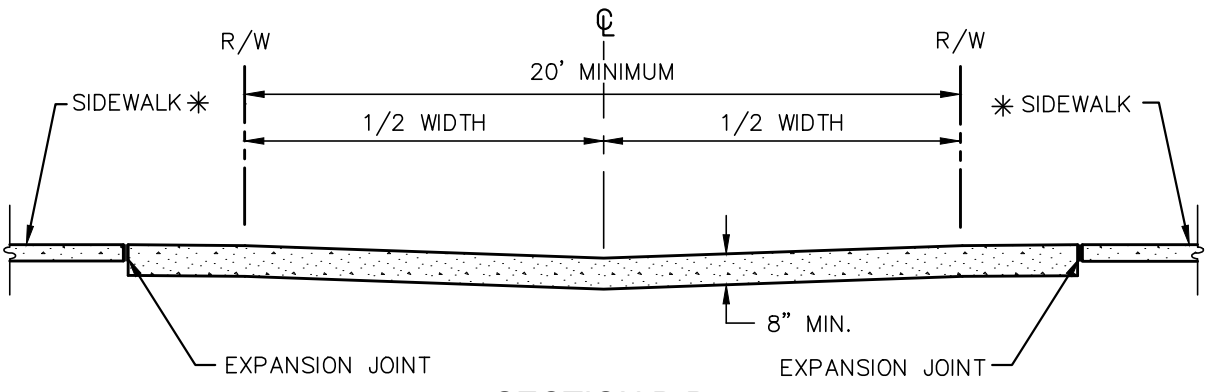
REV	DESCRIPTION	BY	APP'D	DATE



PLAN



SECTION A-A



SECTION B-B

ALLEY WIDTH AS SPECIFIED BY THE CITY ENGINEER

* WHEN REQUIRED OR PERMITTED

APPROVED BY:

 8/11/2022
 JILLEEN L. FERRIS, CITY ENGINEER RCE 86193 DATE

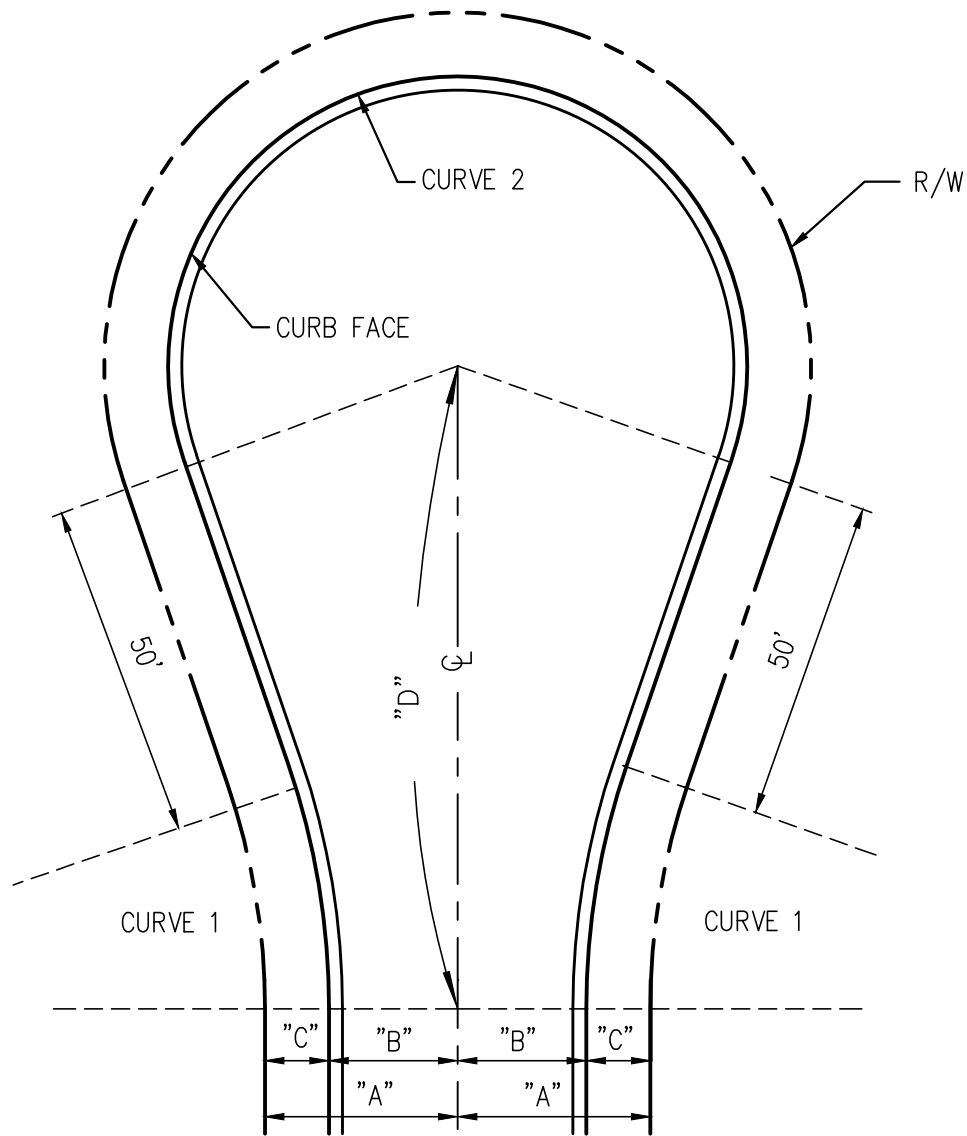


CITY OF
 DESERT HOT SPRINGS
 TYPICAL ALLEY AND
 ALLEY APRON SECTIONS

STANDARD
 DRAWING
 NUMBER

500

REV	DESCRIPTION	BY	APP'D	DATE



					CURVE 1						CURVE 2					
					△	CURB			R/W			△	CURB		R/W	
R/W	A	B	C	D		R	L	T	R	L	T		R	L	R	L
50'	25'	18'	7'	92.11'	17°36'02"	107'	32.86'	16.56'	100'	30.72'	15.48'	215°12'04"	40'	150.21'	47'	176.53'
60'	30'	20'	10'	86.63'	15°00'39"	110'	28.82'	14.49'	100'	26.20'	13.18'	210°01'18"	38'	139.29'	48'	175.95'
66'	33'	23'	10'	83.74'	13°38'42"	110'	26.19'	13.15'	100'	23.82'	11.96'	207°17'24"	39'	141.08'	49'	177.28'
54'	27'	20'	7'	89.33'	16°20'13"	107'	30.51'	15.36'	100'	28.51'	14.35'	212°40'26"	40'	148.47'	47'	174.45'

NOTE: 50' R/W ALLOWED FOR PRIVATE STREETS ONLY.

APPROVED BY:

Jillleen L. Ferris
 JILLEEN L. FERRIS, CITY ENGINEER RCE 86193
 8/11/2022 DATE



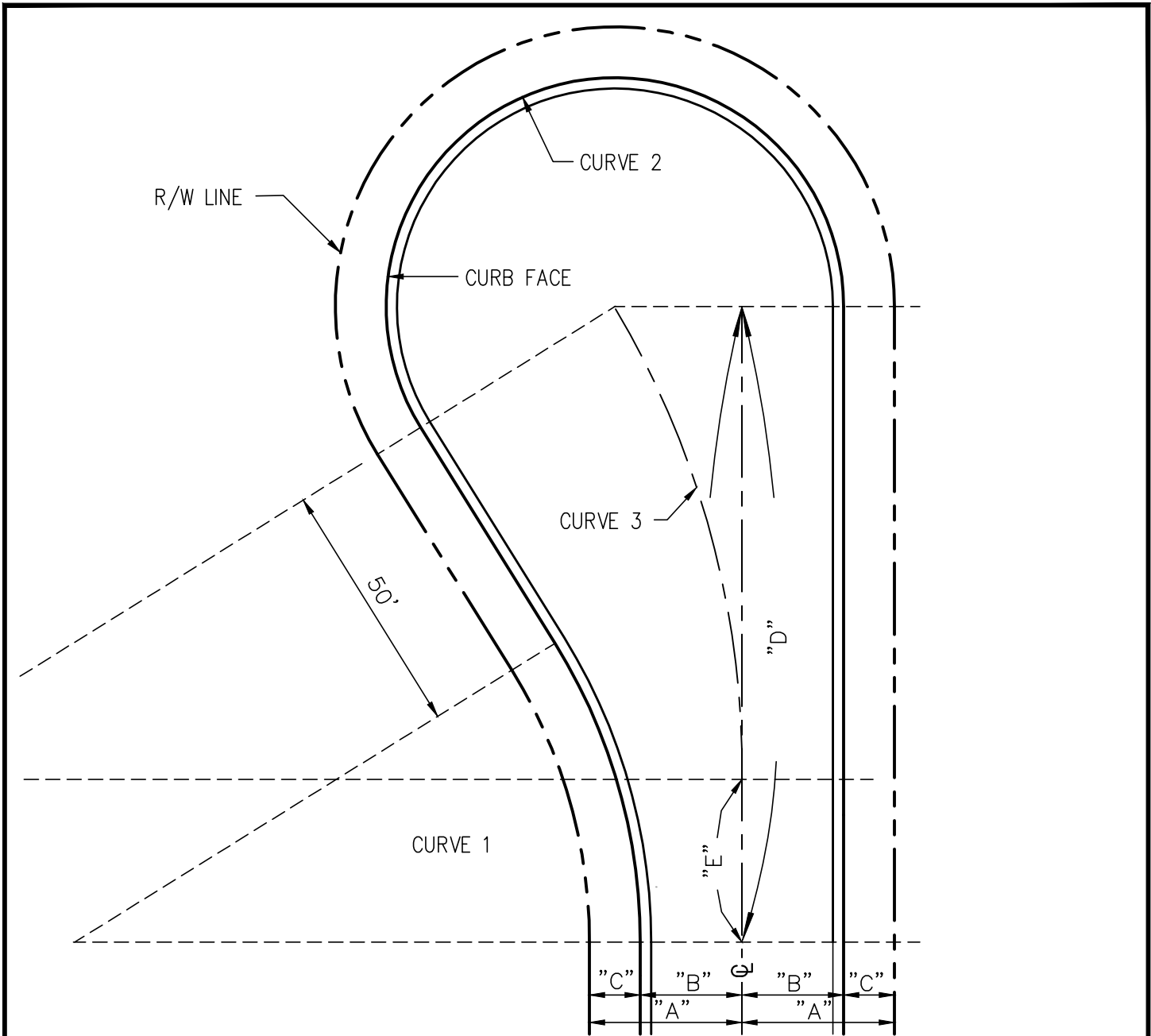
CITY OF
 DESERT HOT SPRINGS

CUL-DE-SAC
 STANDARD

STANDARD
 DRAWING
 NUMBER

800

REV	DESCRIPTION	BY	APP'D	DATE



R/W	CURVE 1										CURVE 2				CURVE 3			
	A	B	C	D	E	△	CURB		R/W		△	CURB		R/W		△	CURB	
							R	L	R	L		R	L	R	L		R	L
50'	25'	16'	9'	116.19'	33.10'	29°39'30"	109'	56.42'	100'	51.76'	209°39'30"	38'	139.05'	47'	171.98'	29°39'30"	167.93'	86.93'
56'	28'	18'	10'	112.87'	31.436'	27°35'48"	110'	52.98'	100'	48.165'	207°35'48"	38'	137.68'	48'	173.916'	27°35'47"	175.795'	84.672'
60'	30'	18'	12'	113.58'	31.79'	27°28'54"	112'	53.72'	100'	47.96'	207°28'54"	38'	137.61'	50'	181.06'	27°28'54"	177.24'	85.01'
60'	30'	20'	10'	108.90'	29.45'	25°31'48"	110'	49.01'	100'	44.56'	205°31'48"	38'	136.31'	48'	172.18'	25°31'48"	184.35'	82.14'
66'	33'	22'	11'	104.94'	27.47'	23°20'19"	111'	45.21'	100'	40.73'	203°20'19"	38'	134.86'	48'	173.90'	23°20'19"	195.54'	79.65'
78'	39'	28'	11'	121.38'	35.69'	28°47'56"	111'	55.79'	100'	50.26'	208°47'56"	50'	182.21'	61'	222°30'	28°47'56"	177.87'	89.41'
88'	44'	32'	12'	132.20'	41.10'	31°51'28"	112'	62.27'	100'	55.60'	211°51'28"	58'	214.46'	70'	258.83'	31°51'28"	172.59'	95.97'

APPROVED BY:

Jillleen L. Ferris
 JILLEEN L. FERRIS, CITY ENGINEER RCE 86193
 8/11/2022 DATE



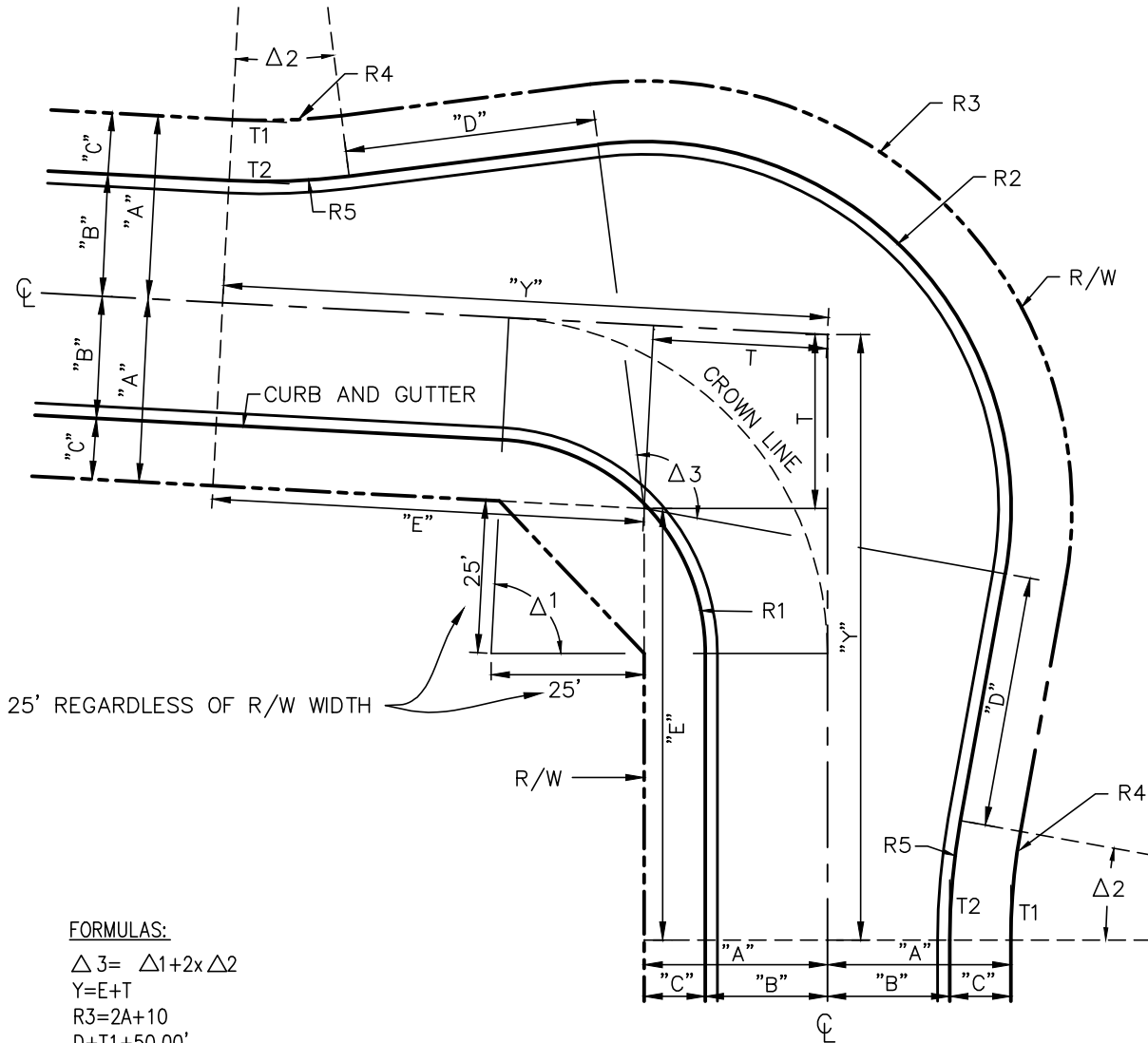
CITY OF
 DESERT HOT SPRINGS

STANDARD
 DRAWING
 NUMBER

OFFSET
 CUL-DE-SAC

801

REV	DESCRIPTION	BY	APP'D	DATE



FORMULAS:

- $\Delta 3 = \Delta 1 + 2 \times \Delta 2$
- $Y = E + T$
- $R3 = 2A + 10$
- $D + T1 + 50.00'$
- $\Delta 1$ VARIES

R/W	S/W	A	B	C	D	E	R1	R2	R3	$\Delta 2$	R4	T1	R5	T2
50'	36'	25'	18'	7'	40.91'	69.09'	32'	53'	60'	10°23'20"	100'	9.09'	107'	9.73'
60'	40'	30'	20'	10'	41.04'	70.60'	35'	60'	70'	10°14'11"	100'	8.96'	110'	9.86'
66'	46'	33'	23'	10'	41.12'	-	-	66'	76'	10°08'57"	100'	8.88'	110'	9.77'

NOTE: 50' R/W ALLOWED FOR PRIVATE STREETS ONLY.

APPROVED BY:

Jillleen L. Ferris
 JILLEEN L. FERRIS, CITY ENGINEER RCE 86193
 8/11/2022 DATE



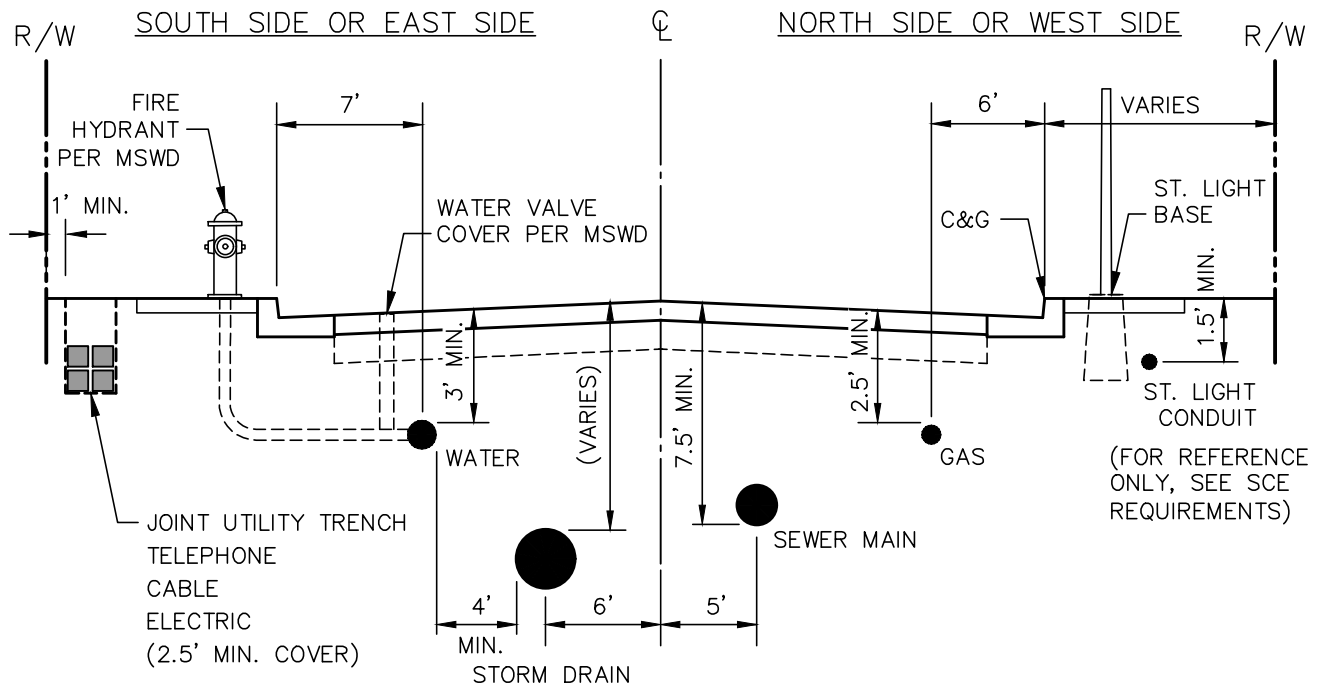
CITY OF
 DESERT HOT SPRINGS

STANDARD KNUCKLE

STANDARD
 DRAWING
 NUMBER

802

REV	DESCRIPTION	BY	APP'D	DATE



NOTES:

- 1) LOCATION AND DEPTHS OF EXISTING AND PROPOSED UTILITIES MUST BE PROVIDED BY THE SUBDIVIDER, AND SHOWN ON ANY PLANS SUBMITTED TO THE CITY FOR APPROVAL.
- 2) CHANGES MAYBE PERMITTED BY THE CITY ENGINEER IN CASES OF CONFLICTING FACILITIES.
- 3) CONFLICTS BETWEEN UTILITY COMPANY FACILITIES, EXISTING AND PROPOSED, MUST BE MUTUALLY RESOLVED BY THE UTILITY COMPANIES.
- 4) ABOVE GROUND FACILITIES SHALL BE LOCATED BEHIND SIDEWALK USING THEIR STANDARDS.
- 5) WHEN UTILITY CONNECTIONS MUST BE TUNNELED UNDERNEATH CURB, CURB & GUTTER, OR SIDEWALK, BACKFILL THE TRENCH WITH 100-E-100 CONCRETE SLURRY OR APPROVED EQUIVALENT, TO ENSURE COMPACTION.
- 6) THIS IS FOR REFERENCE ONLY. THE INTENTION IS TO SHOW THE RELATIVE POSITION OF ALL UTILITIES.

APPROVED BY:

Jilleen L. Ferris

JILLEEN L. FERRIS, CITY ENGINEER RCE 86193

DATE



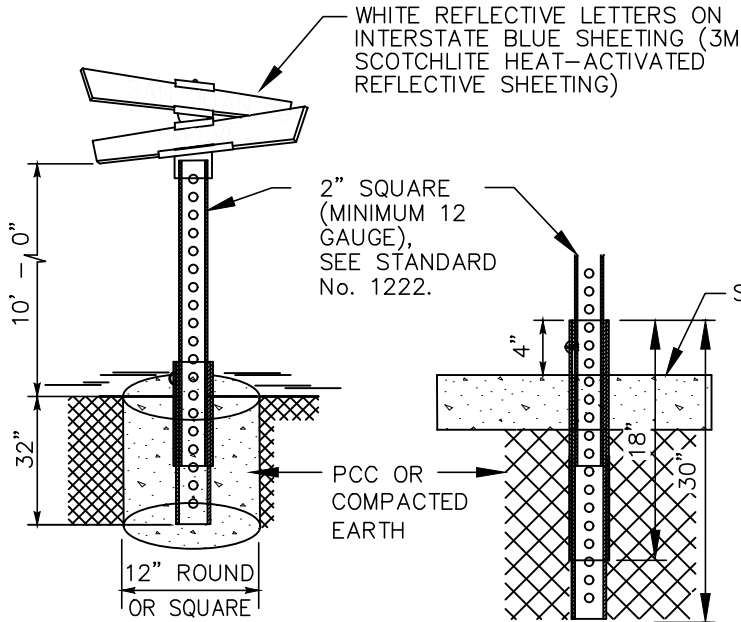
CITY OF
DESERT HOT SPRINGS

UNDERGROUND
UTILITY LOCATIONS

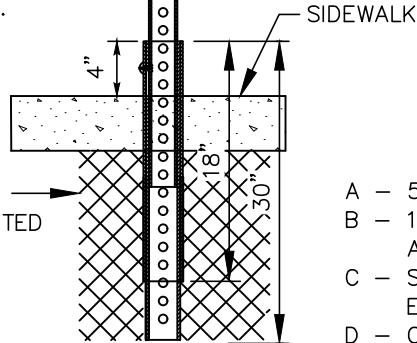
STANDARD
DRAWING
NUMBER

803

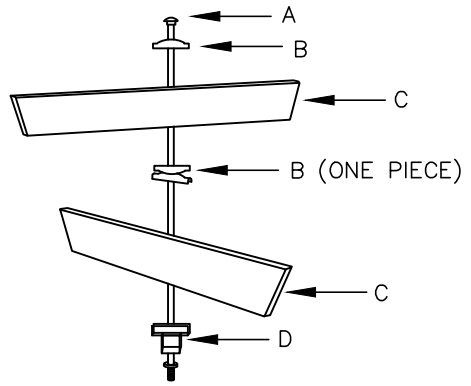
REV	DESCRIPTION	BY	APP'D	DATE



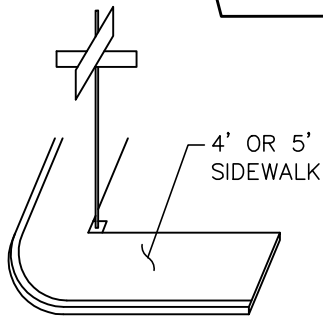
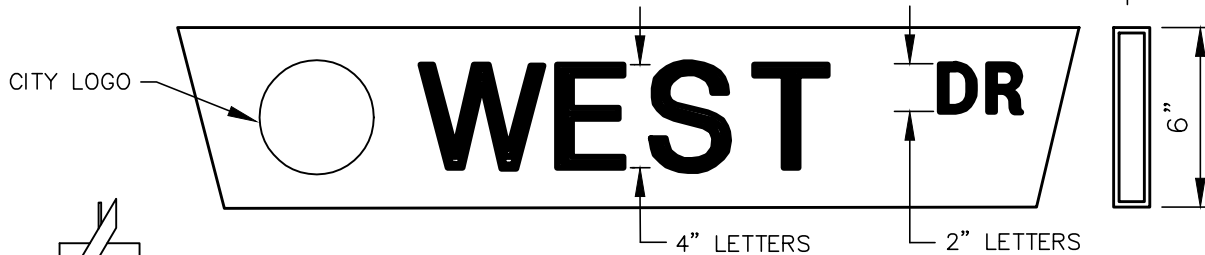
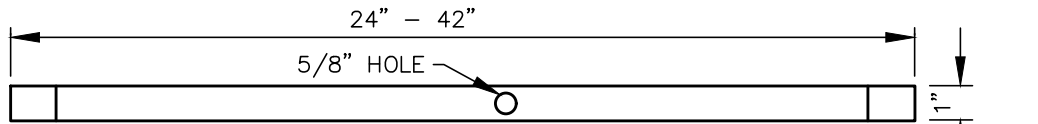
DIRT LOCATION



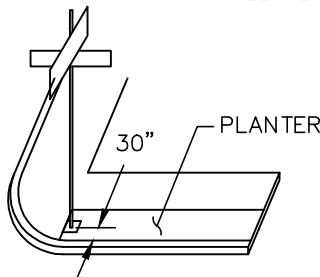
SIDEWALK LOCATION



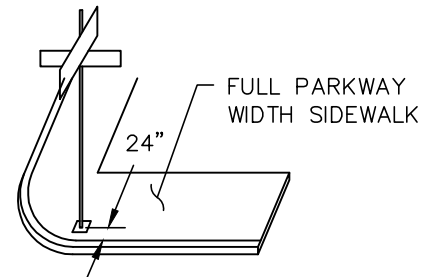
- A - 5/8" X 15" CADMIUM PLATED CARRIAGE BOLT
- B - 14 GAUGE TOP AND CROSS SADDLE OF ANODIZED ALUMINUM
- C - SIGN PLATES. (ANODIZED ALUMINUM EXTRUSION OF 6063 T-4 ALLOY MATERIAL.)
- D - CAST ANODIZED ALUMINUM POST WITH FOUR 3/8" ALLEN HEAD STAINLESS STEEL SET SCREWS.



RESIDENTIAL



LOCATION IN PLANTER AREA



LOCATION IN FULL WIDTH PARKWAY

NOTE:

1. NORMAL POLE LOCATION TO BE ON THE SOUTHEAST CORNER OF THE INTERSECTION. OTHER LOCATIONS SUBJECT TO INDIVIDUAL REVIEW.
2. POLE TO BE SET PRIOR TO SIDEWALK POUR.
3. SIGN DETAILS SHALL BE PER THE LATEST STATE OF CALIFORNIA MUTCD AND THE CITY STANDARDS.

APPROVED BY:

Jillleen L. Ferris 8/11/2022
 JILLEEN L. FERRIS, CITY ENGINEER RCE 86193 DATE



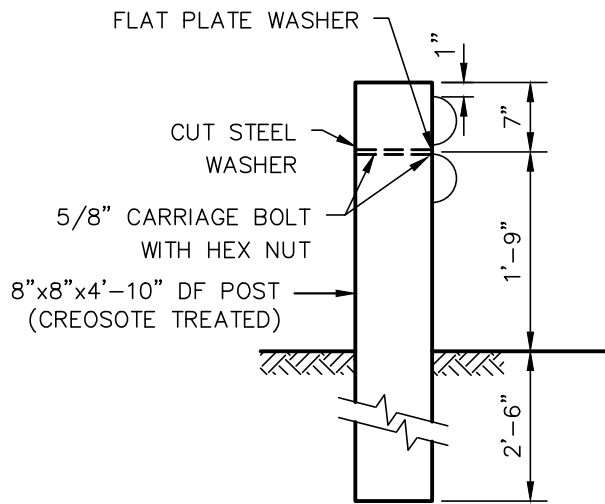
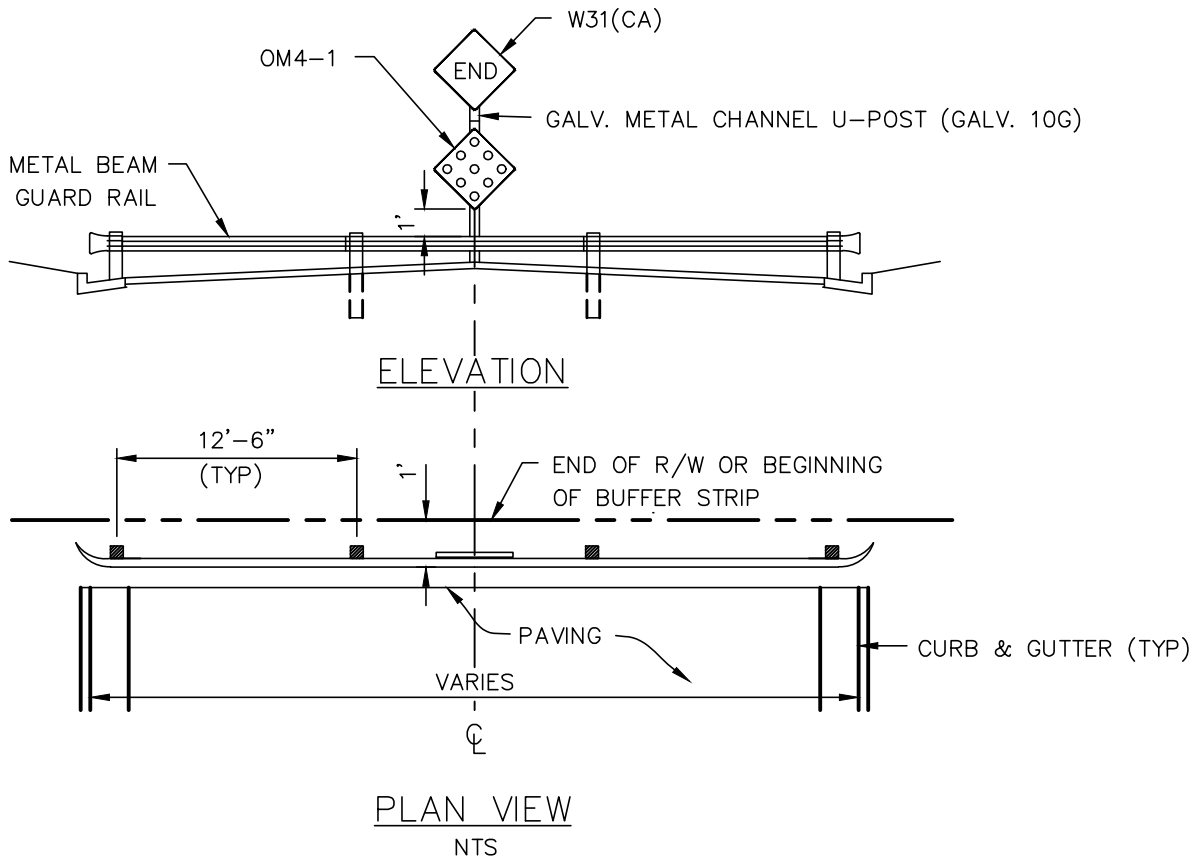
CITY OF
 DESERT HOT SPRINGS

STREET NAME SIGN

STANDARD
 DRAWING
 NUMBER

804

REV	DESCRIPTION	BY	APP'D	DATE



TYP. POST SPACING 12'-6" O.C.

NOTES:

1. GUARD RAIL ELEMENT MAY BE EITHER STEEL OR ALUMINUM.
2. STEEL RAIL SHALL BE GALVANIZED PER ASTM DESIGNATION A-123.
3. STEEL RAIL THICKNESS SHALL BE MIN. 12 GAUGE.
4. ALUMINUM RAIL THICKNESS SHALL BE MIN. 0.105 IN.
5. ALL HOLES IN WOOD POSTS AND BLOCKS SHALL BE 3/4" DIAMETER.
6. ALL HOLES IN STEEL POSTS AND BLOCKS SHALL BE 13/16" DIAM. MAXIMUM.

APPROVED BY:

Jillleen L. Ferris
 JILLEEN L. FERRIS, CITY ENGINEER RCE 86193
 8/11/2022 DATE



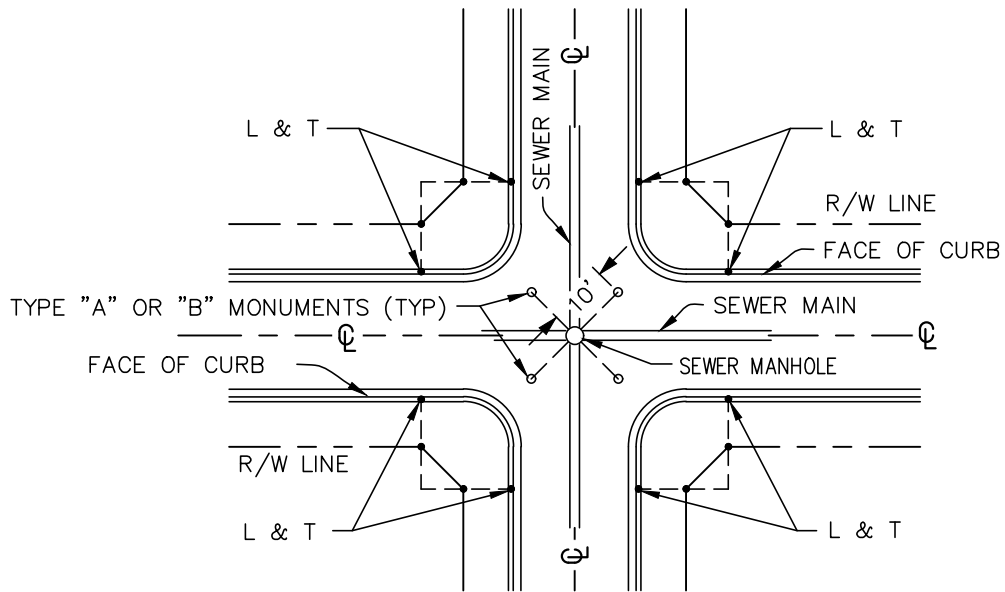
CITY OF
DESERT HOT SPRINGS

STREET BARRICADE

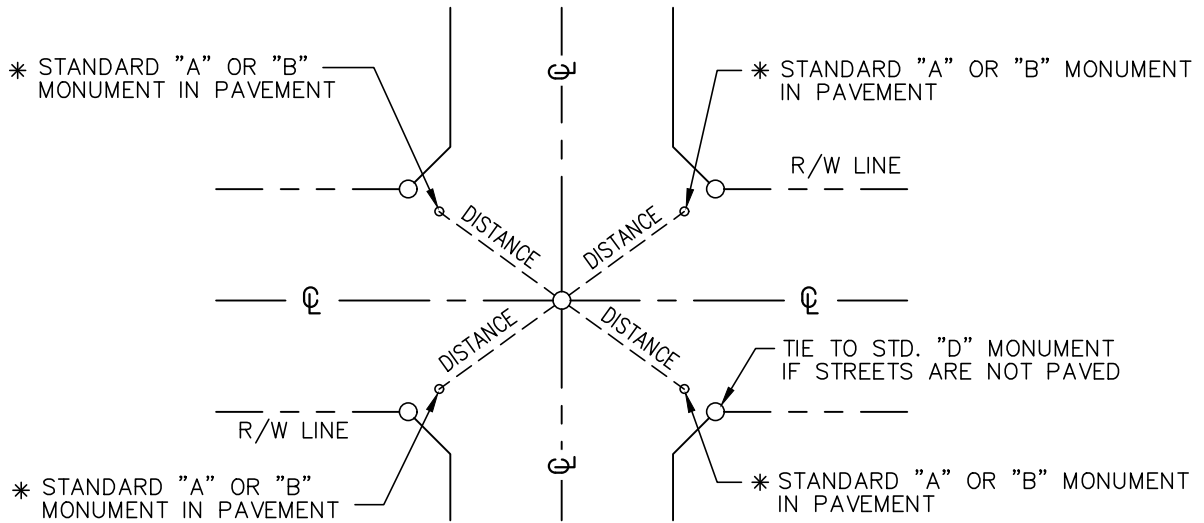
STANDARD
DRAWING
NUMBER

806

REV	DESCRIPTION	BY	APP'D	DATE



MONUMENTING STREET CENTERLINES WHEN SEWERS ARE LOCATED ON CENTERLINE



* SET TIE IN PAVEMENT IF R/W IS UNAVAILABLE.

MONUMENTING STREET CENTERLINES WHERE CURBS ARE NOT REQUIRED

NOTES:

1. L & T AS SHOWN HEREON INDICATES LEAD AND TACK OR STEEL PIN MONUMENT SET IN CURB.
2. LEAD AND TAG OR STEEL PIN MONUMENT WITNESS TO PROPERTY CORNER MAY BE SET, NOT REQUIRED.
3. SEE STANDARD 902 FOR MONUMENT DESCRIPTION AND SCHEDULE.

APPROVED BY:

Jillleen L. Ferris
 JILLEEN L. FERRIS, CITY ENGINEER RCE 86193
 8/11/2022 DATE



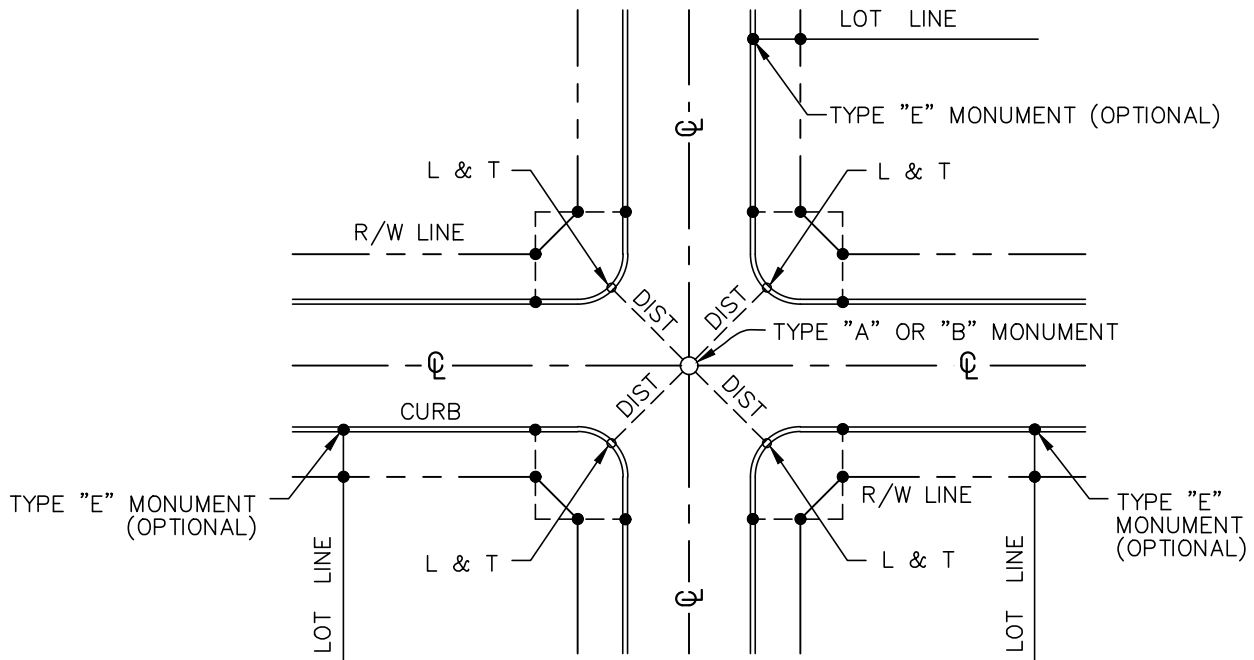
CITY OF
 DESERT HOT SPRINGS

STANDARD
 DRAWING
 NUMBER

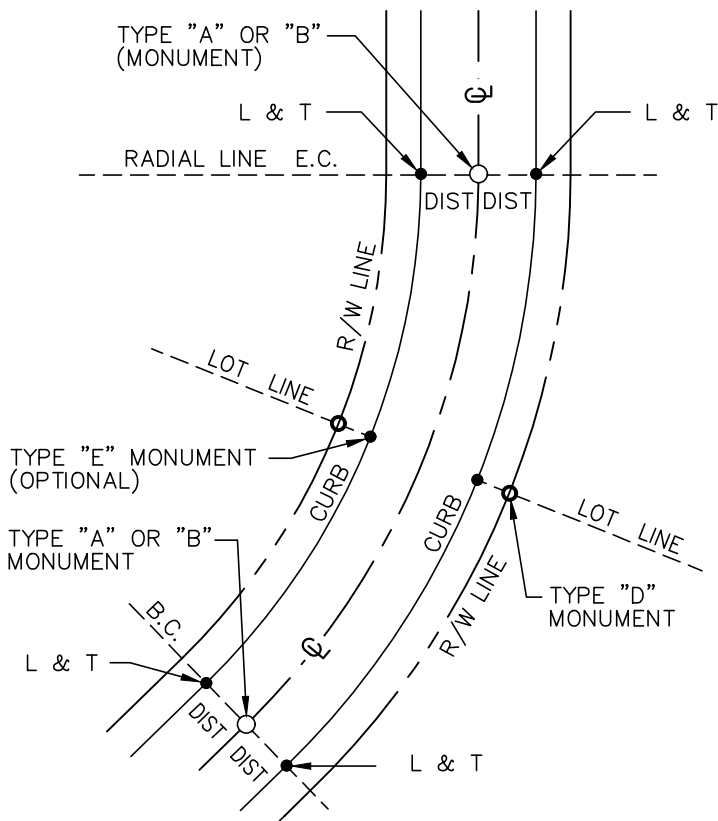
TIE - OUT
 STANDARDS

900

REV	DESCRIPTION	BY	APP'D	DATE



MONUMENTING STREET INTERSECTIONS WHERE CURB AND GUTTERS ARE INSTALLED



NOTES:

1. L & T SHOWN HEREON INDICATES LEAD AND TACK OR STEEL PIN MONUMENT SET IN CONCRETE CURB.
2. LEAD AND TAG OR STEEL PIN MONUMENT WITNESS TO PROPERTY CORNER MAY BE SET ("E" MONUMENT), IN LIEU OF SETTING FRONT LOT CORNERS ("D" MONUMENTS).
3. THE P.I. OF THE CURVE CENTERLINE OF A STREET MAY BE MONUMENTED IN LIEU OF E.C. & B.C. IF THE P.I. FALLS WITHIN THE TRAVELED WAY IT SHALL BE REFERENCED WITH L & T'S IN CURB.
4. SEE STANDARD 902 FOR MONUMENT DESCRIPTION, SCHEDULE AND FOR TYPE "B" MONUMENT DRAWING.

MONUMENTING BEGINNING AND ENDING OF CURVE

APPROVED BY:

Jillleen L. Ferris
 8/11/2022
 JILLEEN L. FERRIS, CITY ENGINEER RCE 86193 DATE



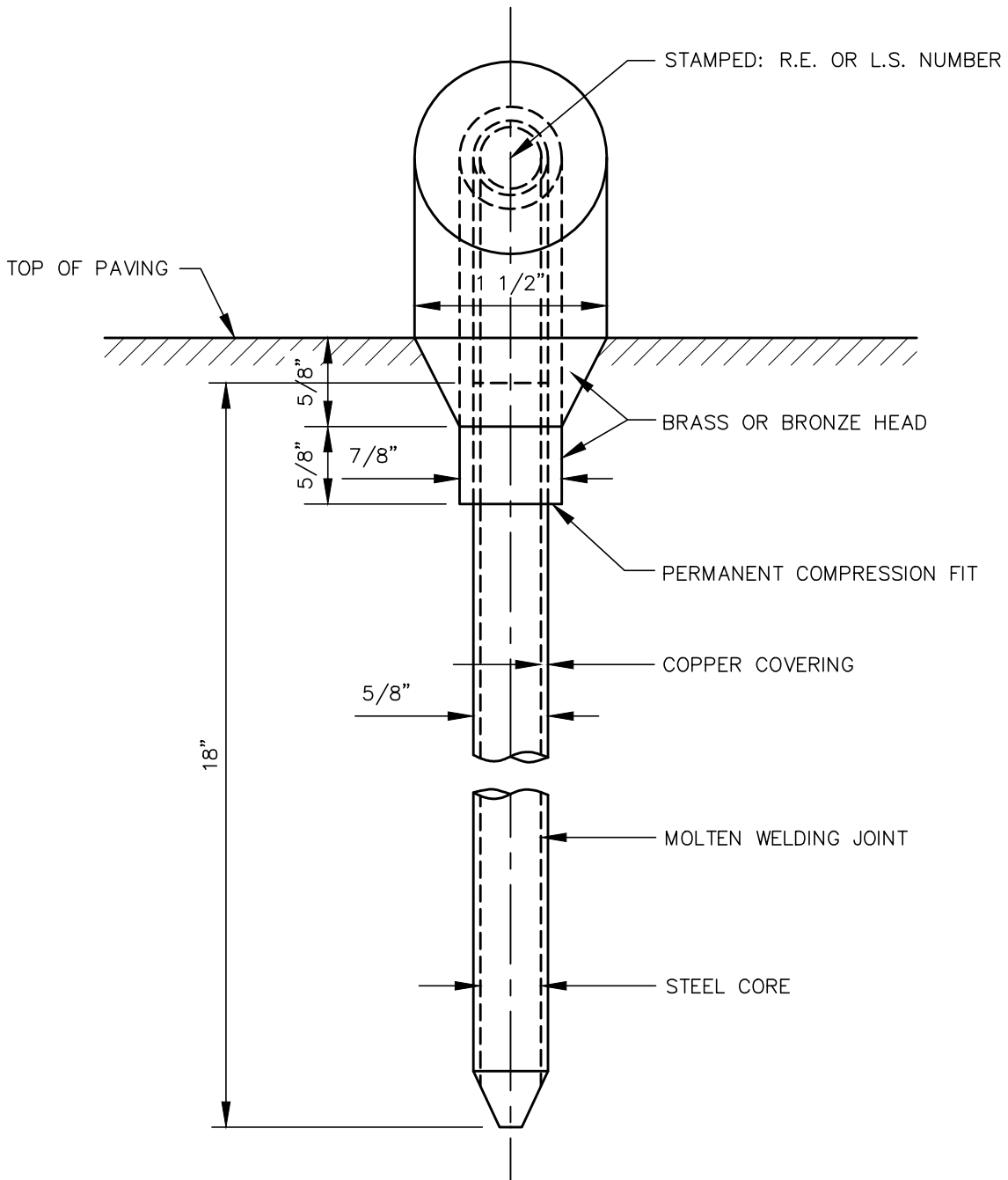
CITY OF
 DESERT HOT SPRINGS

STANDARD
 DRAWING
 NUMBER

STREET CENTERLINE
 MONUMENT

901

REV	DESCRIPTION	BY	APP'D	DATE



APPROVED BY:

Jillleen L. Ferris 8/11/2022
 JILLEEN L. FERRIS, CITY ENGINEER RCE 86193 DATE



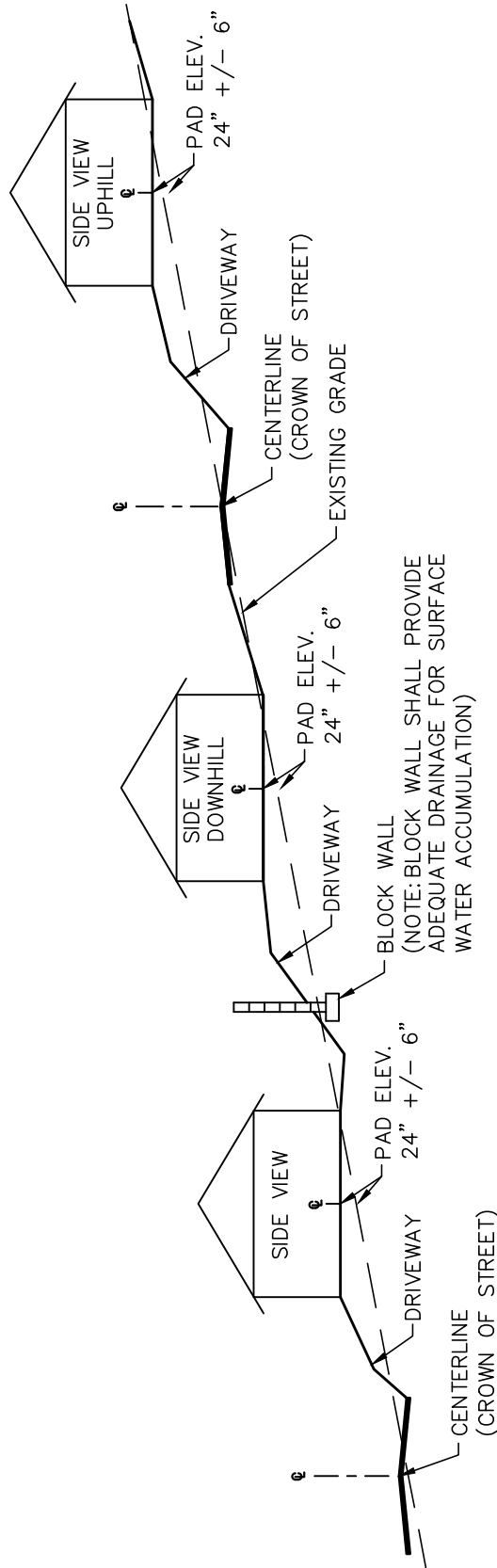
CITY OF
 DESERT HOT SPRINGS

STANDARD
 DRAWING
 NUMBER

TYPE "B" MONUMENT

902

REV	DESCRIPTION	BY	APP'D	DATE



APPROVED BY:

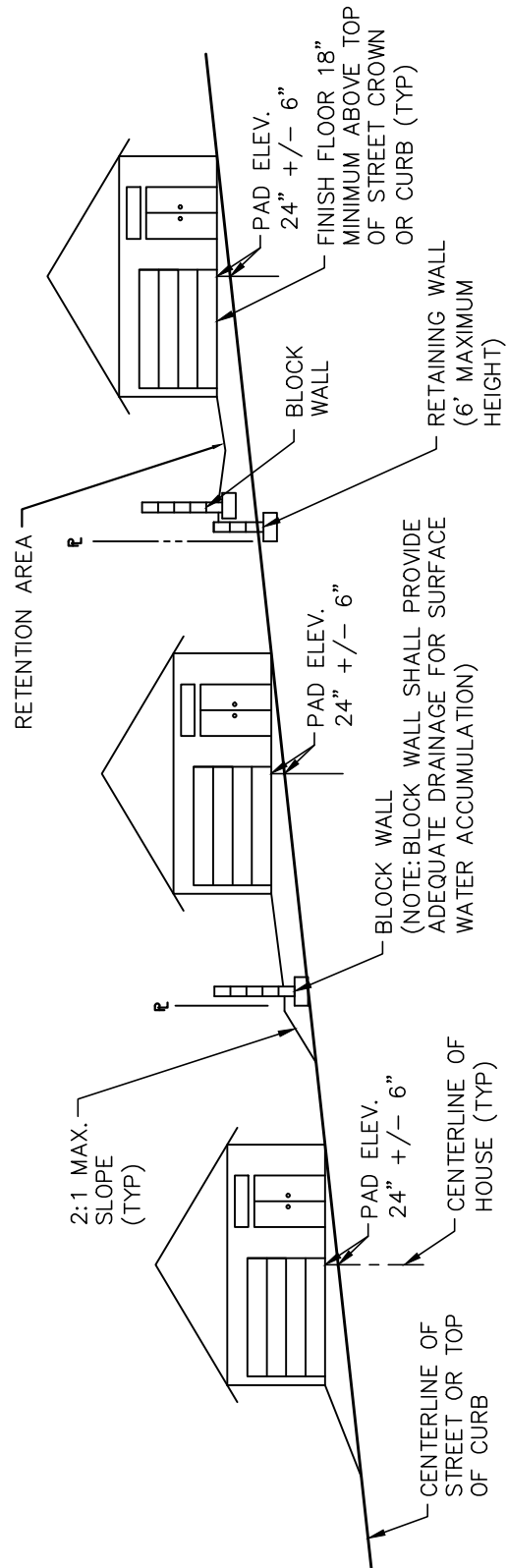

 8/11/2022
 JILLEEN L. FERRIS, CITY ENGINEER RCE 86193 DATE



CITY OF
DESERT HOT SPRINGS

HILLSIDE ORDINANCE
ELEVATION VIEW 1

REV	DESCRIPTION	BY	APP'D	DATE



APPROVED BY:

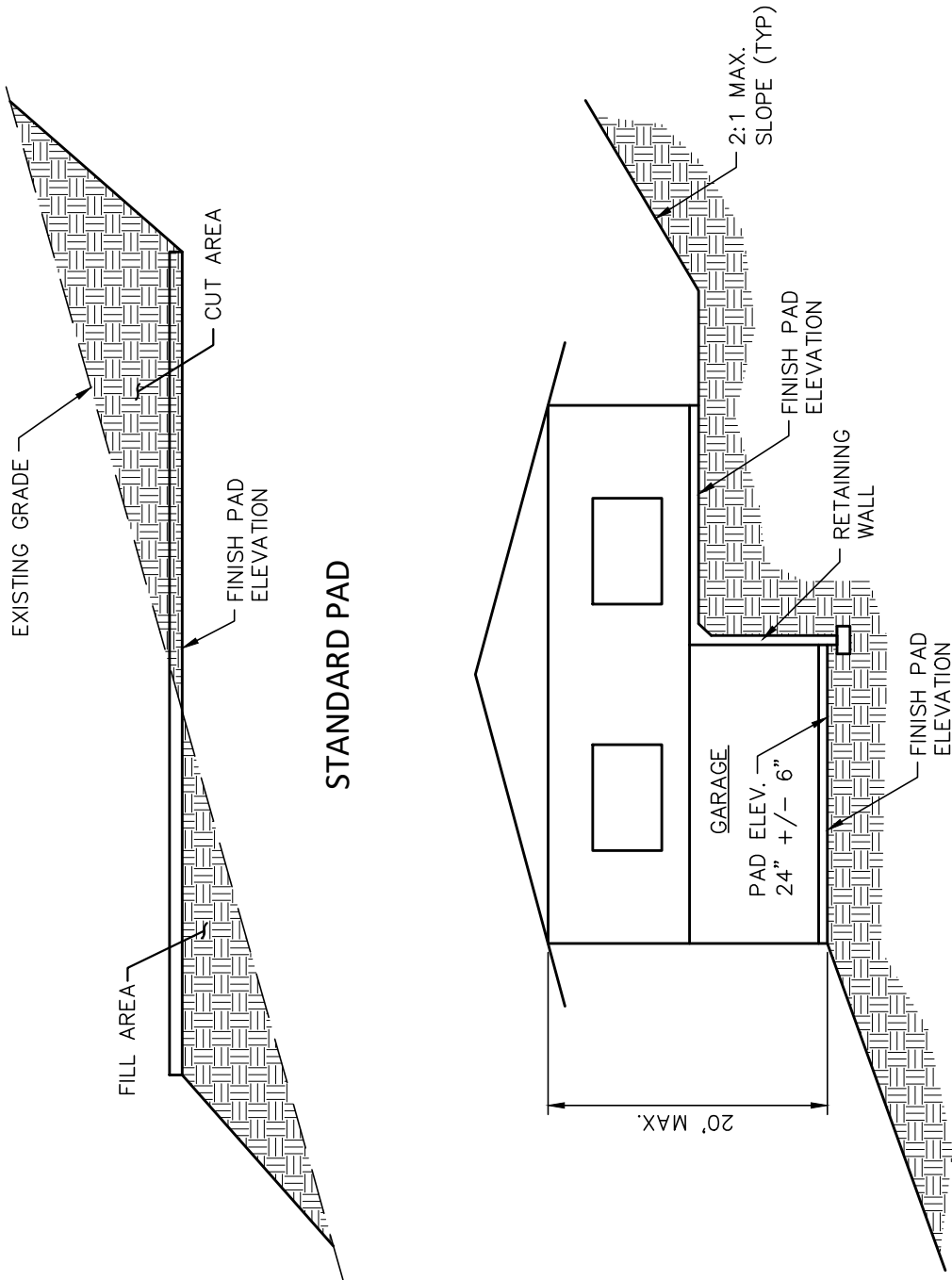
Jillleen L. Ferris 8/11/2022
 JILLEEN L. FERRIS, CITY ENGINEER RCE 86193 DATE



CITY OF
 DESERT HOT SPRINGS

HILLSIDE ORDINANCE
 ELEVATION VIEW 2

REV	DESCRIPTION	BY	APP'D	DATE



APPROVED BY:

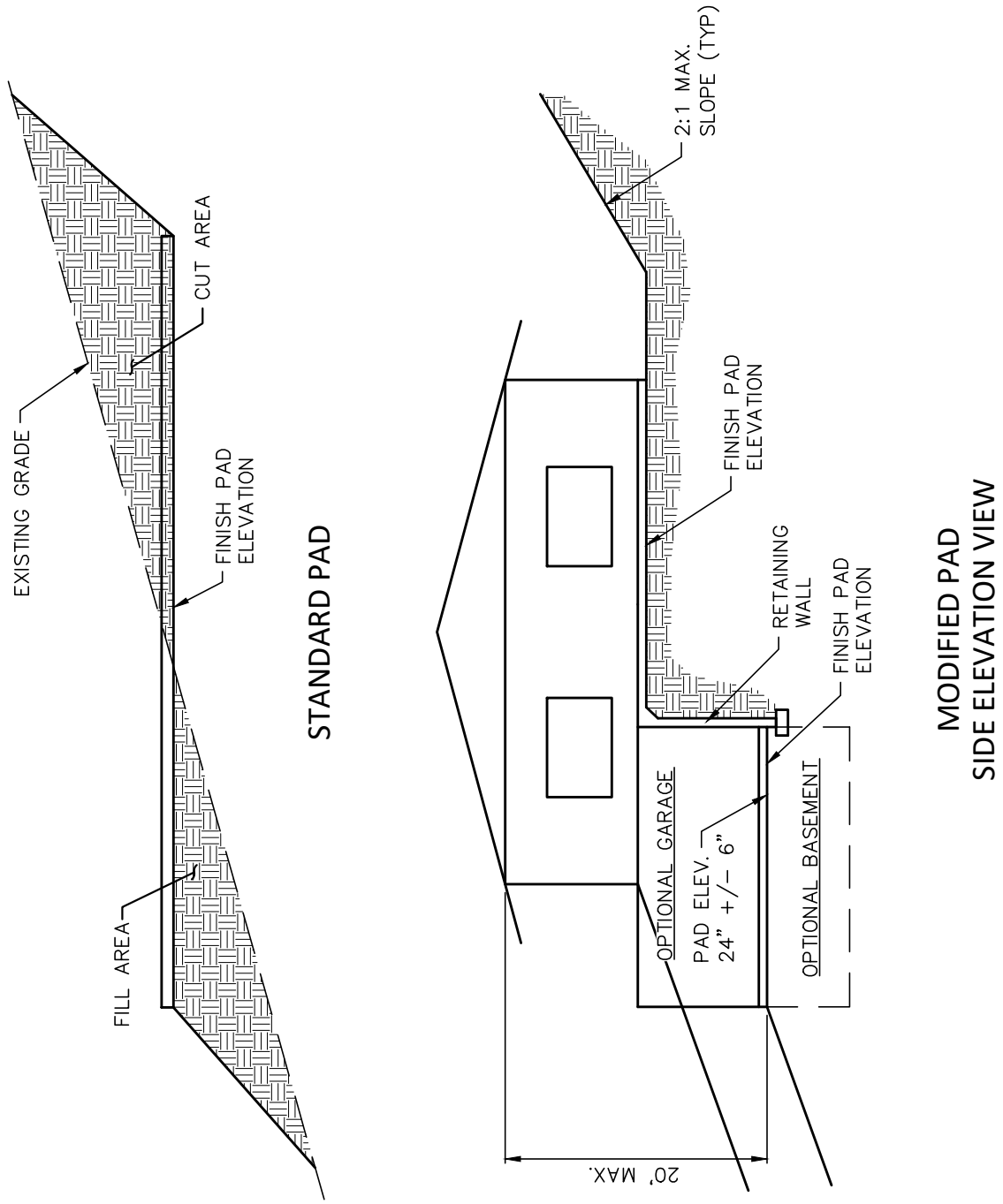
Jillleen L. Ferris 8/11/2022
 JILLEEN L. FERRIS, CITY ENGINEER RCE 86193 DATE



CITY OF
 DESERT HOT SPRINGS

HILLSIDE ORDINANCE
 ELEVATION VIEW 3A

REV	DESCRIPTION	BY	APP'D	DATE



APPROVED BY:

Jillleen L. Ferris 8/11/2022
 JILLEEN L. FERRIS, CITY ENGINEER RCE 86193 DATE



CITY OF
 DESERT HOT SPRINGS

HILLSIDE ORDINANCE
 ELEVATION VIEW 3B

REV	DESCRIPTION	BY	APP'D	DATE

GENERAL NOTES (For All Improvement Plans)

1. ALL WORK SHALL BE DONE IN ACCORDANCE WITH THE STANDARD PLANS OF THE CITY OF DESERT HOT SPRINGS AND THE STANDARD SPECIFICATIONS FOR PUBLIC WORKS CONSTRUCTION, LATEST EDITION, AND OTHER STANDARD PLANS AS SPECIFIED IN THE PLANS.
2. NOTHING IN THESE PLANS SHALL RELIEVE THE CONTRACTOR FROM OBTAINING PERMITS AS REQUIRED BY THE CITY OF DESERT HOT SPRINGS MUNICIPAL CODE.
3. EVIDENCE OF NPDES, INCLUDING EROSION CONTROL AND PM₁₀ PERMIT, IF REQUIRED, SHALL BE SUBMITTED TO PUBLIC WORKS, ENGINEERING DEPARTMENT PRIOR TO ISSUANCE OF ANY PERMIT.
4. THE LOCATIONS OF EXISTING UNDERGROUND UTILITIES ARE SHOWN IN AN APPROXIMATE WAY ONLY. SUBJECT TO PROVISIONS OF SECTION 4215 OF THE CALIFORNIA GOVERNMENT CODE, THE CONTRACTOR SHALL DETERMINE THE EXACT LOCATION OF ALL EXISTING UTILITIES BEFORE COMMENCING WORK. HE AGREES TO BE FULLY RESPONSIBLE FOR ANY AND ALL DAMAGES WHICH MIGHT BE OCCASIONED BY HIS FAILURE TO LOCATE AND PRESERVE ANY AND ALL UNDERGROUND UTILITIES. THE CONTRACTOR SHALL NOTIFY UNDERGROUND SERVICE ALERT, BY CALLING 811, TWO DAYS BEFORE DIGGING.
5. THE CONTRACTOR SHALL NOT DISTURB EXISTING SURVEY MONUMENTS OR BENCHMARKS NOTED ON PLANS OR FOUND DURING CONSTRUCTION. REMOVAL AND REPLACEMENT SHALL BE DONE BY AN R.C.E. BELOW 33966 OR L.S. ONLY. ALL EXTERNAL PROPERTY CORNERS SHALL BE CLEARLY DELINEATED IN THE FIELD PRIOR TO COMMENCEMENT OF ANY CONSTRUCTION.
6. THE CONTRACTOR SHALL BE RESPONSIBLE FOR THE REMOVAL, REPLACEMENT, PROTECTION, OR RELOCATION OF ALL REGULATORY, WARNING, AND GUIDE SIGNS, STRIPING, AND PAVEMENT LEGENDS.
7. STREET NAME SIGNS AND TRAFFIC CONTROL SIGNS, TYPE AND LOCATION SHALL BE APPROVED BY THE CITY ENGINEER. TRAFFIC STRIPING, LEGENDS AND PAVEMENT MARKERS, TYPE AND LOCATIONS SHALL BE APPROVED BY THE CITY ENGINEER.
8. LOCATIONS OF FIELD DENSITY TEST SHALL BE DETERMINED BY THE CITY OR APPROVED TESTING AGENCY AND SHALL BE SUFFICIENT IN BOTH HORIZONTAL AND VERTICAL PLACEMENT TO PROVIDE REPRESENTATIVE TESTING OF ALL FILL PLACED. TESTING IN AREAS OF A CRITICAL NATURE OR SPECIAL EMPHASIS SHALL BE IN ADDITION TO THE NORMAL REPRESENTATIVE SAMPLINGS.
9. ALL UNDERGROUND FACILITIES, WITH LATERALS, SHALL BE IN PLACE AND INSPECTED PRIOR TO PAVING. INCLUDING, BUT NOT LIMITED TO THE FOLLOWING: SEWER, WATER, ELECTRIC, GAS, TELEPHONE AND DRAINAGE.
10. THE DESIGN CIVIL ENGINEER SHALL EXERCISE SUFFICIENT CONTROL OF THE CONSTRUCTION TO ENSURE COMPLIANCE WITH PLANS, SPECIFICATIONS AND CITY CODES.
11. THE FINAL UTILITY LINE BACKFILL REPORT FROM THE PROJECT SOIL ENGINEER SHALL INCLUDE AN APPROVAL STATEMENT THAT THE BACKFILL IS SUITABLE FOR THE INTENDED USE.
12. THE FINAL COMPACTION REPORT AND APPROVAL FROM THE SOILS ENGINEER SHALL CONTAIN THE TYPE OF FIELD TESTING PERFORMED. EACH TEST SHALL BE IDENTIFIED WITH THE METHOD OF OBTAINING THE IN-PLACE DENSITY, WHETHER SAND CONE OR DRIVE RING AND SHALL BE PERFORMED TO VERIFY THE ACCURACY OF THE MAXIMUM DENSITY CURVES BY THE FIELD TECHNICIAN.
13. ALL CONSTRUCTION AREAS SHALL BE PROPERLY POSTED AND LIGHTED IN CONFORMANCE WITH THE STATE MANUAL OF WARNING SIGNS, LIGHTS, AND DEVICES FOR USE IN THE PERFORMANCE OF WORK UPON HIGHWAYS, IN ORDER TO AVOID OR ELIMINATE ANY HAZARDS.
14. AT NO TIME WILL PRIVATE PROPERTY BE USED IN CONJUNCTION WITH THE PROJECT UNLESS PROPERTY OWNER APPROVAL IS OBTAINED IN WRITING AND GIVEN TO THE CITY FOR APPROVAL.
15. ANY CHANGES CONTEMPLATED IN: DRAINAGE, ELEVATIONS OR STRUCTURES SHOWN ON THESE PLANS MUST BE REVIEWED BY THE CITY TO DETERMINE IF REVISED PLANS SHOULD BE SUBMITTED. NON-COMPLYING CONSTRUCTION MAY BE SUBJECT TO PENALTIES AND/OR REMOVAL. "AS-BUILT" PLANS MUST BE SUBMITTED PRIOR TO ANY RELEASE OF SECURITIES AND/OR ISSUANCE OF A CERTIFICATE OF USE.

APPROVED BY:

Jillleen L. Ferris 8/11/2022
 JILLEEN L. FERRIS, CITY ENGINEER RCE 86193 DATE



CITY OF
DESERT HOT SPRINGS

STANDARD
DRAWING
NUMBER

GENERAL NOTES
(For All Improvement Plans)

2000

REV	DESCRIPTION	BY	APP'D	DATE

GRADING NOTES (For All Grading Plans)

1. ALL WORK SHALL CONFORM TO CITY OF DESERT HOT SPRINGS GRADING ORDINANCE NO. 92-2; INTERNATIONAL BUILDING CODE (IBC), CURRENTLY ADOPTED EDITION; THE STANDARD SPECIFICATIONS FOR PUBLIC WORKS CONSTRUCTION "GREEN BOOK"; AMERICAN WITH DISABILITIES ACT (ADA); NPDES PERMIT; FEMA REQUIREMENTS FOR ANY PROPERTY LOCATED WITHIN A FLOOD ZONE; AND ANY SPECIAL PROVISIONS OF THE PERMIT.
2. GRADING SHALL BE IN ACCORDANCE WITH THE ENGINEERED GRADING REQUIREMENTS OF A SOILS REPORT PREPARED BY _____ NO. _____ DATED _____ TELEPHONE # _____. TWO SETS OF THE FINAL COMPACTION REPORT SHALL BE SUBMITTED TO DESERT HOT SPRINGS, PUBLIC WORKS, ENGINEERING DEPARTMENT AND BUILDING AND SAFETY DEPARTMENT. THE REPORT SHALL INCLUDE FOUNDATION DESIGN RECOMMENDATIONS AND CERTIFICATION THAT GRADING HAS BEEN DONE IN CONFORMANCE WITH THE RECOMMENDATIONS OF THE SOILS INVESTIGATION REPORT.
3. ALL GRADING SHALL BE DONE UNDER THE SUPERVISION OF A COMPETENT SOILS ENGINEER WHO SHALL CERTIFY THAT ALL FILL HAS BEEN PROPERLY PLACED AND WHO SHALL SUBMIT A FINAL COMPACTION REPORT FOR ALL FILLS OVER 1' DEEP. STEEP SLOPING TERRAIN, UPON WHICH FILL IS TO BE PLACED, MUST BE CLEARED, KEYED AND BENCHED INTO FIRM NATURAL SOIL FOR FULL SUPPORT.
4. THE CONTRACTOR SHALL NOTIFY THE CITY PUBLIC WORKS INSPECTION LINE (760-329-6411, EXT. 222), 24 HOURS PRIOR TO ANY GRADING, BRUSHING OR CLEARING, EACH PHASE OF CONSTRUCTION, AND ANY OTHER WORK REQUIRING INSPECTION.
6. PRIOR TO GRADING OPERATIONS ALL PROPERTY BOUNDARIES SHALL BE VISIBLY MARKED BY SETTING WITNESS STAKES AT ALL FOUND PROPERTY MONUMENTS. FOUND MONUMENTS SHALL BE NOTED OF THE PLANS. RESETTING OF MISSING MONUMENTS OR ANY REMOVAL AND REPLACEMENT OF EXISTING MONUMENTS SHALL BE DONE BY AN R.C.E. BELOW 33966 OR L.S. ONLY. THE CONTRACTOR SHALL NOT DISTURB EXISTING MONUMENTS NOTED ON PLANS OR FOUND DURING CONSTRUCTION. ALL EXTERNAL PROPERTY CORNERS SHALL BE CLEARLY DELINEATED IN THE FIELD PRIOR TO COMMENCEMENT OF ANY CONSTRUCTION OR GRADING.
7. DURING ROUGH GRADING OPERATIONS AND PRIOR TO CONSTRUCTION OF PERMANENT DRAINAGE STRUCTURE, TEMPORARY DRAINAGE CONTROL SHALL BE PROVIDED TO PREVENT PONDING WATER, EROSION, AND DAMAGE TO ADJACENT PROPERTY.
8. THE CONTRACTOR SHALL BE RESPONSIBLE FOR PROVIDING AN EFFECTIVE MEANS OF DUST CONTROL WHICH SHALL INCLUDE PROVISIONS FOR ADEQUATE WATERING DURING THE GRADING PROCESS AND PROVISIONS FOR CONTINUANCE OF DUST CONTROL AFTER THE GRADING. DUST CONTROL SHALL CONTINUE UNTIL SUCH TIME THAT THE GRADED SURFACE PRESENTS SUFFICIENT PROTECTIVE COVER AGAINST WIND OR WATER EROSION AS DETERMINED BY THE CITY ENGINEER. SEE APPROVED "LOCAL AIR QUALITY MANAGEMENT PLAN" PM₁₀ PLAN ON FILE WITH THE CITY, FOR DETAILS OF EXPECTED DUST CONTROL METHODS. A CURRENT APPROVED PM₁₀ PLAN SHALL BE MAINTAINED ON SITE.
12. PRIOR TO ANY GRADING OPERATIONS, ALL FILL AREAS SHALL BE CLEARED OF ORGANIC MATERIAL AND THE EXISTING GROUND SHALL BE SCARIFIED TO A MINIMUM DEPTH OF 12", OR AS RECOMMENDED BY THE SOILS REPORT. NO FILL SHALL BE PLACED ON EXISTING GROUND UNTIL THE GROUND HAS BEEN CLEARED OF WEEDS, DEBRIS, TOPSOIL AND OTHER DELETERIOUS MATERIAL.
13. MAXIMUM CUT AND FILL SLOPE = 2:1. FOR CUT AND FILL SLOPE OVER 30' IN VERTICAL HEIGHT, A STABILITY CALCULATIONS WITH A FACTOR OF SAFETY OF AT LEAST 1.5, SHALL BE SUBMITTED BY A SOILS ENGINEER TO THE CITY BUILDING AND SAFETY AND/OR CITY ENGINEER. BENCHING AND DOWN DRAINS SHALL CONFORM TO THE REQUIREMENTS OF THE IBC. PROVIDE 2'-WIDE x 0.5'-HIGH BERM OR EQUIVALENT, ALONG THE TOP OF ALL SLOPES.
14. PROVIDE A BROW DITCH THAT WILL INTERCEPT DRAINAGE TO HANDLE 100-YR Q STORM FLOWS ALONG THE DAYLIGHT OF CUT SLOPES.
15. AREAS OF FUTURE CONSTRUCTION, INCLUDING ALL CUT AND FILL SLOPE FACES SHALL BE PLANTED WITH A CITY-APPROVED LANDSCAPE MATERIAL TO PROTECT THE SLOPE FROM EROSION AND INSTABILITY. CUT AND FILL SLOPES EQUAL TO OR GREATER THAN 3' IN HEIGHT SHALL BE PLANTED WITH GRASS OR GROUND COVER.

APPROVED BY:

Jillleen L. Ferris 8/11/2022
 JILLEEN L. FERRIS, CITY ENGINEER RCE 86193 DATE



CITY OF
DESERT HOT SPRINGS

STANDARD
DRAWING
NUMBER

GRADING NOTES
(For All Grading Plans)

2001

1 of 3

REV	DESCRIPTION	BY	APP'D	DATE

GRADING NOTES

(2 of 3)

16. GRADING OPERATIONS AND MAINTENANCE OF EQUIPMENT WITHIN ONE HALF MILE OF HUMAN OCCUPANCY SHALL NOT BE CONDUCTED BETWEEN THE HOURS OF 5:00 P.M. AND 8:00 A.M., OR ANYTIME ON A SUNDAY OR FEDERAL HOLIDAY PER CITY CODE 8.12.100 AND SECTION 9.04.030 OF THIS CODE.
17. ALL BUILDING PADS SHALL BE COMPACTED TO A MINIMUM OF 90% RELATIVE DENSITY IN ACCORDANCE WITH DESERT HOT SPRINGS GRADING ORDINANCE NO. 92-2 AND ABOVE MENTIONED SOILS REPORT.
18. MINIMUM BUILDING PAD AND DRAINAGE SLOPES SHALL BE = 0.50%. DRAINAGE SWALES SHALL BE A MINIMUM OF 0.3 FEET DEEP BELOW PAD GRADE, 5 FEET WIDE, AND BE CONSTRUCTED A MINIMUM OF 2 FEET FROM THE TOP OF CUT OR FILL SLOPES. A 1-FOOT HIGH BERM SHALL BE PLACED AT THE TOP OF ALL SLOPES WHICH EXCEED 5:1 UNLESS PROTECTED WITH AN APPROVED EROSION CONTROL.
19. EROSION CONTROL: ALL SLOPES TO BE PLANTED SHALL BE PROVIDED WITH AN APPROVED GRASS MIX AND/OR APPROVED GROUND COVER AT 12" ON CENTER. IN ADDITION, SLOPES EXCEEDING 15' IN VERTICAL HEIGHT SHALL BE PLANTED WITH APPROVED TREES, SPACED NOT TO EXCEED 20' ON CENTER, OR SHRUBS NOT TO EXCEED 10' ON CENTER, OR A COMBINATION OF SHRUBS AND TREES, NOT TO EXCEED 15' ON CENTER. SLOPES EXCEEDING 3' IN VERTICAL HEIGHT SHALL BE PROVIDED WITH AN IN-GROUND IRRIGATION SYSTEM.
20. NO OBSTRUCTION OF FLOOD PLAINS OR NATURAL WATER COURSES SHALL BE PERMITTED. ALL EXISTING DRAINAGE COURSES ON THE PROJECT SITE MUST CONTINUE TO FUNCTION, ESPECIALLY DURING STORM CONDITIONS. PROTECTIVE MEASURES AND TEMPORARY DRAINAGE PROVISIONS MUST BE USED TO PROTECT ADJOINING PROPERTIES DURING GRADING OPERATIONS.
21. THE GROUND SURFACE IMMEDIATELY ADJACENT TO THE BUILDING FOUNDATION SHALL BE SLOPED AWAY FROM THE BUILDING AT A SLOPE OF NOT LESS THAN 1:20 (HORIZONTAL TO VERTICAL) (5% SLOPE) FOR A MINIMUM DISTANCE OF 10 FEET, THEN 2% MINIMUM AND 20% MAXIMUM TO AN APPROVED DRAINAGE SYSTEM OR SWALE.
22. BLOCK WALLS ARE NOT PART OF THE GRADING PERMIT. SUBMIT A SEPARATE WALL PLAN TO THE BUILDING AND SAFETY DEPARTMENT FOR A SEPARATE BUILDING PERMIT.
23. DURING GRADING, THE SOILS ENGINEER, ENGINEERING GEOLOGIST AND DESIGN CIVIL ENGINEER SHALL ENSURE COMPLIANCE WITH THE PLANS, SPECIFICATIONS AND CODES WITHIN THEIR PURVIEW.
24. A REGISTERED PROFESSIONAL LAND SURVEYOR SHALL SUBMIT TO THE BUILDING AND SAFETY DEPARTMENT, WRITTEN CERTIFICATION OF COMPLETION OF ROUGH GRADING IN ACCORDANCE WITH THE APPROVED GRADING PLAN PRIOR TO REQUESTING INSPECTION AND ISSUANCE OF THE BUILDING PERMIT. CERTIFICATION SHALL INCLUDE LINE, GRADE, ELEVATION AND LOCATION OF CUT/FILL SLOPES.
25. A REGISTERED PROFESSIONAL LAND SURVEYOR SHALL SUBMIT CERTIFICATION OF BUILDING PAD ELEVATION. WHERE SPECIFIC ELEVATIONS ARE REQUIRED, THE ELEVATION (WITH RESPECT TO MEAN SEA LEVEL) SHALL BE GIVEN. IF AN ELEVATION WITH RESPECT TO ADJACENT GROUND SURFACE IS REQUIRED, THE ACTUAL DISTANCE ABOVE THE ADJACENT GROUND SHALL BE GIVEN.
26. A REGISTERED PROFESSIONAL ENGINEER SHALL SUBMIT TO THE CITY OF DESERT HOT SPRINGS PUBLIC WORKS, ENGINEERING DEPARTMENT, A CERTIFICATION OF COMPLETION OF FINAL GRADING IN ACCORDANCE WITH THE APPROVED PLAN FOR ALL GRADING DESIGNATED AS "ENGINEERED GRADING".
27. THE CONTRACTOR SHALL NOTIFY THE CITY BUILDING AND SAFETY DEPARTMENT AT (760) 329-6411, AT LEAST 24 HOURS IN ADVANCE OF REQUESTING FINISH LOT GRADE AND DRAINAGE INSPECTION. THIS INSPECTION MUST BE APPROVED PRIOR TO BUILDING PERMIT FINAL INSPECTION FOR EACH LOT.
28. PRIOR TO FINAL ACCEPTANCE OF GRADING, THE SOILS ENGINEER AND DESIGN ENGINEER SHALL SUBMIT (ON CITY FORMS) VERIFICATION THAT ALL WORK HAS CONFORMED TO THE GRADING PLAN, CITY STANDARDS AND THE RECOMMENDATIONS OF THE SOILS REPORT.
29. ALL TRAVELED WAYS MUST BE CLEANED DAILY OF ALL DIRT, MUD AND DEBRIS DEPOSITED ON THEM AS A RESULT OF THE GRADING OPERATION. CLEANING IS TO BE DONE TO THE SATISFACTION OF THE CITY ENGINEER.

APPROVED BY:


8/11/2022
 JILLEEN L. FERRIS, CITY ENGINEER RCE 86193 DATE



**CITY OF
DESERT HOT SPRINGS**

STANDARD
DRAWING
NUMBER

**GRADING NOTES
(For All Grading Plans)**

2001

2 of 3

REV	DESCRIPTION	BY	APP'D	DATE

GRADING NOTES

(3 of 3)

30. ANY PUBLIC ROADWAY WHICH IS INTENDED TO BE USED TO CONDUCT ANY ASPECT OF THE GRADING FOR THE PROJECT SHALL BE COVERED BY A CITY ENCROACHMENT PERMIT AND SUBJECT TO PERMIT CONDITIONS.
31. THE CONTRACTOR SHALL NOTIFY UNDERGROUND SERVICE ALERT, BY CALLING 811, TWO DAYS BEFORE DIGGING.
32. CONSTRUCTION SIGNING, LIGHTING AND BARRICADING SHALL BE PROVIDED ON ALL PROJECTS AS REQUIRED BY THE CITY OF DESERT HOT SPRINGS PUBLIC WORKS, ENGINEERING DEPARTMENT, OR AS DIRECTED BY THE CITY ENGINEER. AT A MINIMUM, ALL CONSTRUCTION SIGNING, LIGHTING AND BARRICADING ON CITY-OWNED PARCELS OR PUBLIC RIGHTS-OF-WAY SHALL BE IN ACCORDANCE WITH STATE OF CALIFORNIA, DEPARTMENT OF TRANSPORTATION, "MANUAL OF TRAFFIC CONTROLS FOR CONSTRUCTION AND MAINTENANCE WORK ZONES", IN EFFECT DURING THE TIME OF THE WORK.
33. EVIDENCE OF NPDES AND PM 10 PERMIT, IF REQUIRED, SHALL BE SUBMITTED TO PUBLIC WORKS, ENGINEERING DEPARTMENT PRIOR TO ISSUANCE OF THE GRADING PERMIT.
34. NO CONSTRUCTION OPERATION SHALL BE PERMITTED ON WEEKENDS OR HOLIDAYS. IF CONSTRUCTION ACTIVITIES IS NEEDED ON WEEKENDS AND HOLIDAYS, CONTRACTOR SHALL SUBMIT WORK REQUEST, 24 HOURS IN ADVANCE, TO THE CITY ENGINEER FOR REVIEW AND APPROVAL OF ANY SCHEDULED WORK. CONSTRUCTION ACTIVITIES, IF APPROVED, SHALL BE LIMITED TO 7:00 AM TO 6:00 PM, MONDAY THROUGH FRIDAY. OVERTIME INSPECTIONS SHALL BE AT THE CONTRACTOR'S EXPENSE.
35. THE CITY OF DESERT HOT SPRINGS IS IN A QUARANTINE AREA FOR THE THE RED IMPORTED FIRE ANT. PRIOR TO ANY MOVEMENT OF SOIL WITHIN THE SITE, OR FROM THE SITE, YOU MUST SCHEDULE AN INSPECTION AT 1-888-434-7326 (CDFA) WITH THE R.I.F.A. INSPECTOR AT LEAST 24 HOURS IN ADVANCE, AND SUBMIT CERTIFICATION OF CLEARANCE TO THE CITY.
36. TOPOGRAPHIC INFORMATION: HORIZONTAL AND VERTICAL CONTROL BY: _____
AERIAL TOPOGRAPHY BY: _____ DATE: _____

24-HOUR EMERGENCY CONTACT:

NAME: _____

ADDRESS: _____

PHONE: _____

W.D.I.D. No. _____

APPROVED BY:

Jillleen L. Ferris 8/11/2022
 JILLEEN L. FERRIS, CITY ENGINEER RCE 86193 DATE



CITY OF
DESERT HOT SPRINGS

GRADING NOTES
(For All Grading Plans)

STANDARD
DRAWING
NUMBER

2001

3 of 3

REV	DESCRIPTION	BY	APP'D	DATE

STREET IMPROVEMENT NOTES (For All Street Improvement Plans)

1. IT SHALL BE THE RESPONSIBILITY OF THE DEVELOPER, OWNER OR CONTRACTOR TO APPLY TO THE CITY OF DESERT HOT SPRINGS ENGINEERING DEPARTMENT, PERMIT SECTION, FOR AN ENCROACHMENT PERMIT FOR ALL WORK PERFORMED WITHIN THE PUBLIC RIGHT-OF-WAY, AND TO BE RESPONSIBLE FOR SATISFACTORY COMPLIANCE FOR ALL CURRENT ENVIRONMENTAL REGULATIONS DURING THE LIFE OF CONSTRUCTION ACTIVITIES FOR THIS PROJECT. ADDITIONAL STUDIES AND/OR PERMITS MAY BE REQUIRED.
2. THE CONTRACTOR SHALL BE RESPONSIBLE FOR CLEARING THE PROPOSED WORK AREA AND FOR RELOCATION COSTS OF ALL EXISTING UTILITIES. PERMITTEE MUST INFORM CITY OF DESERT HOT SPRINGS, ENGINEERING DEPARTMENT, OF CONSTRUCTION SCHEDULE AT LEAST 48 HOURS PRIOR TO BEGINNING OF CONSTRUCTION. PHONE: (760) 329-6411 EXT. 224
3. THE DEVELOPER SHALL INSTALL STREET NAME SIGNS CONFORMING TO CITY OF DESERT HOT SPRINGS STANDARD NO. 804.
4. ALL WORK SHALL CONFORM TO THESE PLANS, THE REQUIREMENTS OF THE CITY OF DESERT HOT SPRINGS, OR WHERE APPLICABLE; THE RIVERSIDE COUNTY TRANSPORTATION DEPARTMENT IMPROVEMENT STANDARDS AND SPECIFICATIONS, LATEST EDITION, COUNTY ORDINANCE NO. 461 AND SUBSEQUENT AMENDMENTS.
5. IT SHALL BE THE RESPONSIBILITY OF THE DEVELOPER TO NOTIFY THE PROJECT ENGINEER TO INSTALL STREET CENTERLINE MONUMENTS AS REQUIRED BY THE CITY OF DESERT HOT SPRINGS AND RIVERSIDE COUNTY ORDINANCE NO. 461.
6. ALL UNDERGROUND FACILITIES, WITH LATERALS, SHALL BE IN PLACE PRIOR TO PAVING THE STREET, INCLUDING, BUT NOT LIMITED TO, THE FOLLOWING: SEWER, WATER, ELECTRIC, GAS, AND STORM DRAINS.
7. CURB DEPRESSIONS AND DRIVEWAY APPROACHES SHALL BE INSTALLED AND CONSTRUCTED ACCORDING TO CITY OF DESERT HOT SPRINGS STANDARD NO. 206, 207, 208, 209 OR 210 AS APPLICABLE.
8. TO PROVIDE SAFE PASSAGE FOR THE TRAVELING PUBLIC AND WORKERS, IT SHALL BE THE RESPONSIBILITY OF THE CONTRACTOR OR DEVELOPER TO INSTALL AND MAINTAIN ALL CONSTRUCTION REGULATORY, GUIDE AND WARNING SIGNS WITHIN THE PROJECT LIMITS AND SURROUNDINGS UNTIL THE FINAL COMPLETION AND ACCEPTANCE OF THE PROJECT BY THE CITY OF DESERT HOT SPRINGS.
9. ALL STREET SECTIONS ARE TENTATIVE. THE MINIMUM SECTION IS 3" A.C./ 4" A.B. ADDITIONAL SOILS TESTS SHALL BE TAKEN BY THE DEVELOPER/OWNER AFTER ROUGH GRADING TO DETERMINE THE EXACT STREET SECTION STRUCTURAL REQUIREMENTS. USE RIVERSIDE COUNTY STANDARD NO. 401 IF EXPANSIVE SOILS ARE ENCOUNTERED.
10. ASPHALTIC EMULSION (FOG SEAL) SHALL BE APPLIED NOT LESS THAN FOURTEEN DAYS FOLLOWING PLACEMENT OF THE ASPHALTIC SURFACING. FOG SEAL AND PAINT BINDER SHALL BE APPLIED AT A RATE OF 0.05 AND 0.03 GALLON PER SQUARE YARD RESPECTIVELY. ASPHALTIC EMULSION SHALL CONFORM TO SECTION 39 OF THE STATE STANDARD SPECIFICATIONS.
11. PRIME COAT IS REQUIRED PRIOR TO PAVING ON ALL GRADES IN EXCESS OF TEN PERCENT (10%).
12. INSTALL STREET TREES IN ACCORDANCE WITH THE CITY OF DESERT HOT SPRINGS ORDINANCE(S), WHERE APPLICABLE.
13. STREET LIGHTS SHALL BE INSTALLED IN ACCORDANCE WITH THE APPROVED IMPROVEMENT PLANS.

APPROVED BY:

Jillleen L. Ferris 8/11/2022
 JILLEEN L. FERRIS, CITY ENGINEER RCE 86193 DATE



CITY OF
DESERT HOT SPRINGS

STANDARD
DRAWING
NUMBER

STREET IMPROVEMENT NOTES
(For All Street Improvement Plans)

2002

1 of 2

REV	DESCRIPTION	BY	APP'D	DATE

STREET IMPROVEMENT NOTES

(2 of 2)

14. THE DEVELOPER IS RESPONSIBLE FOR ROAD IMPROVEMENTS UP TO THE CENTERLINE, AT A MINIMUM, AND MAY BE REQUIRED TO RECONSTRUCT EXISTING PAVEMENT, INCLUDING BASE AND MATCHING OVERLAY REQUIRED MEETING THE STRUCTURAL STANDARDS FOR THE CURRENTLY ASSIGNED TRAFFIC INDEX, AS DETERMINED BY THE CITY INSPECTOR AND CITY ENGINEER.

15. WITHOUT SEPARATE LANDSCAPE PLANS, ONLY LANDSCAPING CONSISTING OF APPROVED DROUGHT TOLERANT PLANT MATERIALS MAY BE INSTALLED WITHIN THE PARKWAYS ON LOCAL RESIDENTIAL STREETS. ALL OTHER TYPES OF LANDSCAPING IN THESE AREAS, AND ALL LANDSCAPING ON ALL OTHER STREETS, SHALL BE REQUIRED A SEPARATE LANDSCAPE PLANS. ALL LANDSCAPING ENCROACHMENTS SHALL CONFORM TO CITY OF DESERT HOT SPRINGS STANDARDS RELATING TO THE ADMINISTRATION OF LANDSCAPE ENCROACHMENTS.

16. ANY PRIVATE DRAINAGE FACILITIES SHOWN ON THESE PLANS ARE FOR INFORMATION ONLY. BY SIGNING THESE IMPROVEMENT PLANS, NO REVIEW OR APPROVAL OF THOSE PRIVATE FACILITIES IS IMPLIED OR INTENDED BY THE CITY OF DESERT HOT SPRINGS.

17. CONSTRUCTION PROJECTS DISTURBING MORE THAN ONE ACRE MUST OBTAIN A NATIONAL POLLUTANT DISCHARGE ELIMINATION SYSTEM (NPDES) PERMIT. OWNERS/DEVELOPERS ARE REQUIRED TO FILE A NOTICE OF INTENT (NOI) WITH THE STATE WATER RESOURCES CONTROL BOARD (SWRCB), PREPARE A STORM WATER POLLUTION PREVENTION PLAN (SWPPP) AND A MONITORING PLAN FOR THE SITE.

18. DUST SHALL BE CONTROLLED BY WATERING OR OTHER APPROVED METHODS AS OUTLINED IN THE CITY'S PM10 REQUIREMENTS. A PM10 PLAN SHALL BE SUBMITTED TO THE CITY AND SCAQMD, IF REQUIRED.

19. THE DEVELOPER SHALL BE RESPONSIBLE FOR THE INSTALLATION OF ADDITIONAL SIGNS AND MARKINGS NOT SHOWN HEREON, OR ON ROADWAYS ADJACENT TO THE PROJECT BOUNDARIES, TO IMPROVE TRAFFIC SAFETY ON THE ROADS UNDER THE JURISDICTION OF THE DEVELOPER, UPON THE REQUEST OF THE CITY ENGINEER, CITY INSPECTOR OR HIS DESIGNEE.

20. EXISTING STORM DRAIN PIPES / CULVERTS (WHETHER TO BE CONNECTED TO, EXTENDED, ADJUSTED, DRAINED TO, OR JUST IN THE PROJECT VICINITY) MUST BE REPAIRED, AND/OR CLEARED TO MAKE THEM FUNCTIONAL AND ACCEPTABLE, AS DIRECTED BY THE CITY ENGINEER OR CITY INSPECTOR.

21. AN APPROVED SOIL STERILIZER SHALL BE USED ON ALL PAVING AREA SUB GRADE SURFACES PRIOR TO PLACEMENT OF PAVING. RATE OF CHEMICAL APPLICATION SHALL BE PER MANUFACTURER'S SUGGESTION.

22. WHENEVER A CONSTRUCTION SITE IS WITHIN ONE-QUARTER (1/4) OF A MILE OF AN OCCUPIED RESIDENCE, NO CONSTRUCTION ACTIVITIES SHALL BE UNDERTAKEN BETWEEN THE HOURS OF 6:00 PM AND 6:00 AM DURING THE MONTHS OF JUNE THROUGH SEPTEMBER AND BETWEEN THE HOURS OF 6:00 PM AND 7:00 AM DURING THE MONTHS OF OCTOBER THROUGH MAY. EXCEPTIONS TO THESE STANDARDS SHALL BE ALLOWED ONLY WITH THE WRITTEN CONSENT OF THE CITY ENGINEER.

APPROVED BY:

Jillleen L. Ferris 8/11/2022
 JILLEEN L. FERRIS, CITY ENGINEER RCE 86193 DATE



CITY OF
DESERT HOT SPRINGS

STANDARD
DRAWING
NUMBER

STREET IMPROVEMENT NOTES
(For All Street Improvement Plans)

2002

2 of 2

REV	DESCRIPTION	BY	APP'D	DATE

STORM DRAIN NOTES (For All Storm Drain Plans)

1. IT SHALL BE THE RESPONSIBILITY OF THE DEVELOPER, OWNER, OR CONTRACTOR TO APPLY TO THE CITY OF DESERT HOT SPRINGS, PUBLIC WORKS DEPARTMENT, FOR AN ENCROACHMENT PERMIT FOR ALL WORK PERFORMED WITHIN PUBLIC RIGHT-OF-WAY AND TO BE RESPONSIBLE FOR SATISFACTORY COMPLIANCE FOR ALL CURRENT ENVIRONMENTAL REGULATIONS DURING THE LIFE OF CONSTRUCTION ACTIVITIES FOR THIS PROJECT.
2. EVIDENCE OF NPDES AND PM10 PERMIT, IF REQUIRED, SHALL BE SUBMITTED TO ENGINEERING DEPARTMENT PRIOR TO ISSUANCE OF THE PERMIT.
3. ALL IMPROVEMENTS SHALL CONFORM TO THE FOLLOWING, AS APPROPRIATE:
 - INTERNATIONAL BUILDING CODE (IBC), CURRENT EDITION, ADOPTED BY CALIFORNIA BUILDING CODE (CBC)
 - CITY OF DESERT HOT SPRINGS ORDINANCE 92-2
 - STANDARD SPECIFICATIONS FOR PUBLIC WORKS CONSTRUCTION (GREEN BOOK), 2021 EDITION
 - RIVERSIDE COUNTY FLOOD CONTROL AND WATER CONSERVATION DISTRICT STANDARDS AND SPECIFICATIONS. LATEST EDITION.
 - RIVERSIDE COUNTY ROAD IMPROVEMENT STANDARDS AND SPECIFICATIONS, LATEST EDITION, COUNTY ORDINANCE NO. 461 AND SUBSEQUENT AMENDMENTS.
 - AMERICANS WITH DISABILITIES ACT.
 - NPDES AND WQMP REQUIREMENTS.
4. ALL WORK SHALL CONFORM TO THESE PLANS AND THE REQUIREMENTS OF THE CITY OF DESERT HOT SPRINGS STANDARDS AND SPECIFICATIONS.
5. ALL LINES AND GRADES SHALL BE CLEARLY DELINEATED IN THE FIELD BY LICENSED LAND SURVEYOR PRIOR TO COMMENCEMENT OF CONSTRUCTION.
6. TEMPORARY DRAINAGE CONTROL SHALL BE PROVIDED AS REQUIRED, TO PREVENT ANY DAMAGE TO ADJACENT PROPERTIES DURING ALL PHASES OF CONSTRUCTION OF THE PERMANENT DRAINAGE STRUCTURES.
7. DUST SHALL BE CONTROLLED BY WATERING OR OTHER APPROVED METHODS AS OUTLINED IN THE CITY'S PM₁₀ REQUIREMENTS. THE PM₁₀ PLAN SHALL BE SUBMITTED AND APPROVED BY THE CITY, IF REQUIRED.
8. THE CONTRACTOR SHALL NOTIFY THE CITY PUBLIC WORKS DEPARTMENT AT LEAST 24 HOURS IN ADVANCE OF REQUESTING ANY INSPECTION.
9. THE CONTRACTOR SHALL NOTIFY UNDERGROUND SERVICE ALERT BY CALLING 811, TWO DAYS BEFORE ANY EXCAVATION.
10. THE CONTRACTOR SHALL BE RESPONSIBLE FOR FIELD LOCATION OF EXISTING UTILITIES, INCLUDING ELEVATIONS, WHICH CROSSES THE PROPOSED STORM DRAIN OR ARE FOUND WITHIN THE PROPOSED EXCAVATION BOUNDARIES. THE ENGINEER SHALL BE NOTIFIED OF ANY CONFLICTS PRIOR TO COMMENCING OR CONTINUING CONSTRUCTION.

APPROVED BY:

Jillleen L. Ferris 8/11/2022
 JILLEEN L. FERRIS, CITY ENGINEER RCE 86193 DATE



CITY OF
DESERT HOT SPRINGS

**STORM DRAIN NOTES
(For All Storm Drain Plans)**

STANDARD
DRAWING
NUMBER

2003

1 of 2

REV	DESCRIPTION	BY	APP'D	DATE

STORM DRAIN NOTES

(2 of 2)

11. THE CONTRACTOR SHALL BE RESPONSIBLE FOR CLEARING THE PROPOSED WORK AREA AND RELOCATION COSTS OF ALL EXISTING UTILITIES. PERMITTEE MUST INFORM THE CITY OF CONSTRUCTION SCHEDULE AT LEAST 48 HOURS PRIOR TO BEGINNING OF CONSTRUCTION.
12. CONSTRUCTION SIGNING, LIGHTING AND BARRICADING SHALL BE PROVIDED ON ALL PROJECTS AS REQUIRED BY THE CITY OF DESERT HOT SPRINGS ENGINEERING DEPARTMENT, OR AS DIRECTED BY THE CITY ENGINEER. AT A MINIMUM, ALL CONSTRUCTION SIGNING, LIGHTING AND BARRICADING ON CITY-OWNED PARCELS OR PUBLIC RIGHTS-OF-WAY SHALL BE IN ACCORDANCE WITH STATE OF CALIFORNIA, DEPARTMENT OF TRANSPORTATION, "MANUAL OF TRAFFIC CONTROLS FOR CONSTRUCTION AND MAINTENANCE WORK ZONES" IN EFFECT DURING THE TIME OF THE WORK.
13. IT SHALL BE THE RESPONSIBILITY OF THE CONTRACTOR OR DEVELOPER TO INSTALL AND MAINTAIN ALL CONSTRUCTION, REGULATORY, GUIDE AND WARNING SIGNS WITHIN THE PROJECT LIMITS AND ITS SURROUNDINGS, TO PROVIDE SAFE PASSAGE FOR THE TRAVELING PUBLIC AND WORKERS UNTIL THE FINAL COMPLETION AND ACCEPTANCE OF THE PROJECT BY THE CITY.
14. ALL STORM DRAIN PIPE JOINTS SHALL BE WATER TIGHT WITH GASKETS.
15. PIPE BEDDING SHALL BE CLEAN NATIVE MATERIALS WITH NO EXPOSED ROCKS.
16. PIPE BACKFILL SHALL BE CLEAN NATIVE MATERIAL WITH NO ROCKS OVER 2" DIA. AND SHALL BE COMPACTED TO 90% DENSITY PER ASTM D-1557 AND SHALL BE TESTED AND APPROVED BY THE SOILS ENGINEER PRIOR TO FINAL PAVING.
17. THE FINAL UTILITY LINE BACKFILL REPORT FROM THE PROJECT SOIL ENGINEER SHALL INCLUDE AN APPROVAL STATEMENT THAT THE BACKFILL IS SUITABLE FOR THE INTENDED USE.
18. THE CONTRACTOR SHALL NOT DISTURB EXISTING SURVEY MONUMENTS OR BENCH MARKS NOTED ON THE PLANS OR FOUND DURING CONSTRUCTION. SHOULD DISTURBANCE OCCUR, REMOVAL AND REPLACEMENT SHALL BE DONE ONLY BY A REGISTERED CIVIL ENGINEER WITH AN R.C.E. NUMBER BELOW 33,966, OR A LICENSED LAND SURVEYOR.
19. ALL TRAVELED WAYS MUST BE CLEANED OF ALL DIRT, MUD AND DEBRIS DEPOSITED AS A RESULT OF THE CONSTRUCTION OPERATIONS. CLEANING IS TO BE DONE IN ACCORDANCE WITH THE PM10 PLAN AND TO THE SATISFACTION OF THE CITY ENGINEER.
20. THE CONTRACTOR IS RESPONSIBLE FOR PREVENTING SILT CONTAMINATION OF STORM WATER INFILTRATION FACILITIES DURING CONSTRUCTION OF SUBSEQUENT IMPROVEMENTS.
21. A PERFORMANCE TEST DESIGNED TO DEMONSTRATE CLEARLY THE FUNCTIONAL ADEQUACY OF THE DRAINAGE FACILITIES SHALL BE CONDUCTED BY THE CONTRACTOR IN THE PRESENCE OF THE CITY INSPECTOR PRIOR TO FINAL ACCEPTANCE OF STORM DRAINAGE RETENTION AND INFILTRATION FACILITIES.
22. WHENEVER A CONSTRUCTION SITE IS WITHIN ONE-QUARTER (1/4) OF A MILE OF AN OCCUPIED RESIDENCE, NO CONSTRUCTION ACTIVITIES SHALL BE UNDERTAKEN BETWEEN THE HOURS 6:00 PM AND 6:00 AM, DURING THE MONTHS OF JUNE THROUGH SEPTEMBER AND BETWEEN THE HOURS OF 6:00 PM AND 7:00 AM, DURING THE MONTHS OF OCTOBER THROUGH MAY. EXCEPTIONS TO THESE STANDARDS SHALL BE ALLOWED ONLY WITH THE WRITTEN CONSENT OF THE CITY ENGINEER.

APPROVED BY:

Jilleen L. Ferris 8/11/2022
 JILLEEN L. FERRIS, CITY ENGINEER RCE 86193 DATE



CITY OF
DESERT HOT SPRINGS

STORM DRAIN NOTES
(For All Storm Drain Plans)

STANDARD
DRAWING
NUMBER

2003

2 of 2

REV	DESCRIPTION	BY	APP'D	DATE

EROSION & SEDIMENT CONTROL General Notes

1. IN CASE OF EMERGENCY, CALL (RESPONSIBLE PERSON) AT (24-HOUR TELEPHONE).
(PLEASE FILL IN NAME AND PHONE NUMBER)
2. TOTAL DISTURBED AREA _____ WDID # _____
RISK LEVEL 1 2 3 (CIRCLE ONE AS DETERMINED BY STATE GENERAL PERMIT FOR SITES GREATER THAN 1 ACRE)
3. A STAND-BY CREW FOR EMERGENCY WORK SHALL BE AVAILABLE AT ALL TIMES DURING THE RAINY SEASON (NOVEMBER 1 TO APRIL 15). NECESSARY MATERIALS SHALL BE AVAILABLE ON-SITE AND STOCKPILED AT CONVENIENT LOCATIONS TO FACILITATE RAPID CONSTRUCTION OF EMERGENCY DEVICES WHEN RAIN IS IMMINENT.
4. EROSION CONTROL DEVICES SHOWN ON THIS PLAN MAY BE REMOVED WHEN APPROVED BY THE BUILDING OFFICIAL IF THE GRADING OPERATION HAS PROGRESSED TO THE POINT WHERE THEY ARE NO LONGER REQUIRED.
5. GRADED AREAS ADJACENT TO FILL SLOPES LOCATED AT THE SITE PERIMETER MUST DRAIN AWAY FROM THE TOP OF SLOPE AT THE CONCLUSION OF EACH WORKING DAY. ALL LOOSE SOILS AND DEBRIS THAT MAY CREATE A POTENTIAL HAZARD TO OFF-SITE PROPERTY SHALL BE STABILIZED OR REMOVED FROM THE SITE ON A DAILY BASIS.
6. ALL SILT AND DEBRIS SHALL BE REMOVED FROM ALL DEVICES WITHIN 24 HOURS AFTER EACH RAINSTORM AND BE DISPOSED OF PROPERLY.
7. A GUARD SHALL BE POSTED ON THE SITE WHENEVER THE DEPTH OF WATER IN ANY DEVICE EXCEEDS TWO FEET. THE DEVICE SHALL BE DRAINED OR PUMPED DRY WITHIN 24 HOURS AFTER EACH RAINSTORM. PUMPING AND DRAINING OF ALL BASINS AND DRAINAGE DEVICES MUST COMPLY WITH THE APPROPRIATE BMP FOR DEWATERING OPERATIONS.
8. THE PLACEMENT OF ADDITIONAL DEVICES TO REDUCE EROSION DAMAGE AND CONTAIN POLLUTANTS WITHIN THE SITE IS LEFT TO THE DISCRETION OF THE FIELD ENGINEER. ADDITIONAL DEVICES AS NEEDED SHALL BE INSTALLED TO RETAIN SEDIMENTS AND OTHER POLLUTANTS ON SITE.
9. DESILTING BASINS MAY NOT BE REMOVED OR MADE INOPERABLE BETWEEN NOVEMBER 1 AND APRIL 15 OF THE FOLLOWING YEAR WITHOUT THE APPROVAL OF THE BUILDING OFFICIAL.
10. STORM WATER POLLUTION AND EROSION CONTROL DEVICES ARE TO BE MODIFIED, AS NEEDED, AS THE PROJECT PROGRESSES, THE DESIGN AND PLACEMENT OF THESE DEVICES IS THE RESPONSIBILITY OF THE FIELD ENGINEER. PLANS REPRESENTING CHANGES MUST BE SUBMITTED FOR APPROVAL IF REQUESTED BY THE BUILDING OFFICIAL.
11. EVERY EFFORT SHOULD BE MADE TO ELIMINATE THE DISCHARGE OF NON-STORM WATER FROM THE PROJECT SITES AT ALL TIMES.
12. ERODED SEDIMENTS AND OTHER POLLUTANTS MUST BE RETAINED ON-SITE AND MAY NOT BE TRANSPORTED FROM THE SITE VIA SHEET FLOW, SWALES, AREA DRAINS, NATURAL DRAINAGE COURSES, OR WIND.
13. STOCKPILES OF EARTH AND OTHER CONSTRUCTION-RELATED MATERIALS MUST BE PROTECTED FROM BEING TRANSPORTED FROM THE SITE BY FORCES OF WIND OR WATER.
14. FUELS, OILS, SOLVENTS, AND OTHER TOXIC MATERIALS MUST BE STORED IN ACCORDANCE WITH THEIR LISTING AND ARE NOT TO CONTAMINATE THE SOILS AND SURFACE WATERS. ALL APPROVED STORAGE CONTAINERS ARE TO BE PROTECTED FROM THE WEATHER. SPILLS MUST BE CLEANED UP IMMEDIATELY AND DISPOSED OF IN A PROPER MANNER. SPILLS MAY NOT BE WASHED INTO THE DRAINAGE SYSTEM.
15. EXCESS OR WASTE CONCRETE MAY NOT BE WASHED INTO THE PUBLIC WAY OR ANY OTHER DRAINAGE SYSTEM. PROVISIONS SHALL BE MADE TO RETAIN CONCRETE WASTES ON-SITE UNTIL THEY CAN BE DISPOSED OF AS SOLID WASTE.

APPROVED BY:

Jillleen L. Ferris 8/11/2022
 JILLEEN L. FERRIS, CITY ENGINEER RCE 86193 DATE



CITY OF
DESERT HOT SPRINGS

STANDARD
DRAWING
NUMBER

EROSION & SEDIMENT CONTROL
General Notes

2004

1 of 3

REV	DESCRIPTION	BY	APP'D	DATE

EROSION & SEDIMENT CONTROL General Notes - 2 of 3

16. DEVELOPERS/CONTRACTORS ARE RESPONSIBLE TO INSPECT ALL EROSION CONTROL DEVICES AND BMPS ARE INSTALLED AND FUNCTIONING PROPERLY IF THERE IS A 50% OR GREATER PROBABILITY OF PREDICTED PRECIPITATION, AND AFTER ACTUAL PRECIPITATION. A CONSTRUCTION SITE INSPECTION CHECKLIST AND INSPECTION LOG SHALL BE MAINTAINED AT THE PROJECT SITE AT ALL TIMES AND AVAILABLE FOR REVIEW BY THE BUILDING OFFICIAL (COPIES OF THE SELF-INSPECTION CHECK LIST AND INSPECTION LOGS ARE AVAILABLE UPON REQUEST).
17. TRASH AND CONSTRUCTION-RELATED SOLID WASTES MUST BE DEPOSITED INTO A COVERED RECEPTACLE TO PREVENT CONTAMINATION OF RAINWATER AND DISPERSAL BY WIND.
18. SEDIMENTS AND OTHER MATERIALS MAY NOT BE TRACKED FROM THE SITE BY VEHICLE TRAFFIC. THE CONSTRUCTION ENTRANCE ROADWAYS MUST BE STABILIZED SO AS TO INHIBIT SEDIMENTS FROM BEING DEPOSITED INTO THE PUBLIC WAY. ACCIDENTAL DEPOSITIONS MUST BE SWEEPED UP IMMEDIATELY AND MAY NOT BE WASHED DOWN BY RAIN OR OTHER MEANS.
19. ANY SLOPES WITH DISTURBED SOILS OR DENUDED OF VEGETATION MUST BE STABILIZED SO AS TO INHIBIT EROSION BY WIND AND WATER.
20. AS THE ENGINEER/QSD OF RECORD, I HAVE SELECTED APPROPRIATE BMPS TO EFFECTIVELY MINIMIZE THE NEGATIVE IMPACTS OF THIS PROJECT'S CONSTRUCTION ACTIVITIES ON STORM WATER QUALITY. THE PROJECT OWNER AND CONTRACTOR ARE AWARE THAT THE SELECTED BMPS MUST BE INSTALLED, MONITORED, AND MAINTAINED TO ENSURE THEIR EFFECTIVENESS.

CIVIL ENGINEER/QSD SIGNATURE

DATE

21. THE FOLLOWING NOTES MUST BE ON THE PLAN:

AS THE PROJECT OWNER OR AUTHORIZED AGENT OF THE OWNER, "I CERTIFY THAT THIS DOCUMENT AND ALL ATTACHMENTS WERE PREPARED UNDER MY DIRECTION OR SUPERVISION IN ACCORDANCE WITH THE SYSTEM DESIGNED TO ENSURE THAT A QUALIFIED PERSONNEL PROPERLY GATHER AND EVALUATE THE INFORMATION SUBMITTED. BASED ON MY INQUIRY OF THE PERSON OR PERSONS WHO MANAGE THE SYSTEM OR THOSE PERSONS DIRECTLY RESPONSIBLE FOR GATHERING THE INFORMATION, TO THE BEST OF MY KNOWLEDGE AND BELIEF, THE INFORMATION SUBMITTED IS TRUE, ACCURATE, AND COMPLETE. I AM AWARE THAT SUBMITTING FALSE AND/ OR INACCURATE INFORMATION, FAILING TO UPDATE THE ESCP TO REFLECT CURRENT CONDITIONS, OR FAILING TO PROPERLY AND/OR ADEQUATELY IMPLEMENT THE ESCP MAY RESULT IN REVOCATION OF GRADING AND/OR OTHER PERMITS OR OTHER SANCTIONS PROVIDED BY LAW."

OWNER OR AUTHORIZED REPRESENTATIVE (PERMITTEE)

DATE

22. DEVELOPERS/CONTRACTORS ARE RESPONSIBLE TO INSPECT ALL EROSION CONTROL DEVICES AND BMPS ARE INSTALLED AND FUNCTIONING PROPERLY AS REQUIRED BY THE STATE CONSTRUCTION GENERAL PERMIT. A CONSTRUCTION SITE INSPECTION CHECKLIST AND INSPECTION LOG SHALL BE MAINTAINED AT THE PROJECT SITE AT ALL TIMES AND AVAILABLE FOR REVIEW BY THE BUILDING OFFICIAL.

APPROVED BY:

Jillleen L. Ferris 8/11/2022
JILLEEN L. FERRIS, CITY ENGINEER RCE 86193 DATE



CITY OF
DESERT HOT SPRINGS

STANDARD
DRAWING
NUMBER

EROSION & SEDIMENT CONTROL
General Notes

2004

2 of 3

REV	DESCRIPTION	BY	APP'D	DATE

EROSION & SEDIMENT CONTROL

General Notes - 3 of 3

23. THE FOLLOWING BMPs FROM THE "2009 CONSTRUCTION BMP HANDBOOK/PORTAL" MUST BE IMPLEMENTED FOR ALL CONSTRUCTION ACTIVITIES AS APPLICABLE. AS AN ALTERNATIVE, DETAILS FROM "CALTRANS STORMWATER QUALITY HANDBOOKS, CONSTRUCTION SITE BEST MANAGEMENT PRACTICES (BMP) MANUAL" MAY BE USED. ADDITIONAL MEASURES MAY BE REQUIRED IF DEEMED APPROPRIATE BY THE BUILDING OFFICIAL.

EROSION CONTROL

- EC1 – SCHEDULING
- EC2 – PRESERVATION OF EXISTING VEGETATION
- EC3 – HYDRAULIC MULCH
- EC4 – HYDROSEEDING
- EC5 – SOIL BINDERS
- EC6 – STRAW MULCH
- EC7 – GEOTEXTILES & MATS
- EC8 – WOOD MULCHING
- EC9 – EARTH DIKES AND DRAINAGE SWALES
- EC10 – VELOCITY DISSIPATION DEVICES
- EC11 – SLOPE DRAINS
- EC12 – STREAMBANK STABILIZATION
- EC13 – RESERVED
- EC14 – COMPOST BLANKETS
- EC15 – SOIL PREPARATION\ROUGHENING
- EC16 – NON-VEGETATED STABILIZATION

TEMPORARY SEDIMENT CONTROL

- SE1 – SILT FENCE
- SE2 – SEDIMENT BASIN
- SE3 – SEDIMENT TRAP
- SE4 – CHECK DAM
- SE5 – FIBER ROLLS
- SE6 – GRAVEL BAG BERM
- SE7 – STREET SWEEPING AND VACUUMING
- SE8 – SANDBAG BARRIER
- SE9 – STRAW BALE BARRIER
- SE10 – STORM DRAIN INLET PROTECTION
- SE11 – ACTIVE TREATMENT SYSTEMS
- SE12 – TEMPORARY SILT DIKE
- SE13 – COMPOST SOCKS & BERMS
- SE14 – BIOFILTER BAGS

WIND EROSION CONTROL

- WE1 – WIND EROSION CONTROL

TEMPORARY TRACKING CONTROL

- TC1 – STABILIZED CONSTRUCTION ENTRANCE EXIT
- TC2 – STABILIZED CONSTRUCTION ROADWAY
- TC3 – ENTRANCE/OUTLET TIRE WASH

NON-STORMWATER MANAGEMENT

- NS1 – WATER CONSERVATION PRACTICES
- NS2 – DEWATERING OPERATIONS
- NS3 – PAVING AND GRINDING OPERATIONS
- NS4 – TEMPORARY STREAM CROSSING
- NS5 – CLEAR WATER DIVERSION
- NS6 – ILLICIT CONNECTION/DISCHARGE
- NS7 – POTABLE WATER/IRRIGATION
- NS8 – VEHICLE AND EQUIPMENT CLEANING
- NS9 – VEHICLE AND EQUIPMENT FUELING
- NS10 – VEHICLE AND EQUIPMENT MAINTENANCE
- NS11 – PILE DRIVING OPERATIONS
- NS12 – CONCRETE CURING
- NS13 – CONCRETE FINISHING
- NS14 – MATERIAL AND EQUIPMENT USE
- NS15 – DEMOLITION ADJACENT TO WATER
- NS16 – TEMPORARY BATCH PLANTS

WASTE MANAGEMENT & MATERIAL POLLUTION CONTROL

- WM1 – MATERIAL DELIVERY AND STORAGE
- WM2 – MATERIAL USE
- WM3 – STOCKPILE MANAGEMENT
- WM4 – SPILL PREVENTION AND CONTROL
- WM5 – SOLID WASTE MANAGEMENT
- WM6 – HAZARDOUS WASTE MANAGEMENT
- WM7 – CONTAMINATION SOIL MANAGEMENT
- WM8 – CONCRETE WASTE MANAGEMENT
- WM9 – SANITARY/SEPTIC WASTE MANAGEMENT
- WM10 – LIQUID WASTE MANAGEMENT

APPROVED BY:

Jillleen L. Ferris 8/11/2022
 JILLEEN L. FERRIS, CITY ENGINEER RCE 86193 DATE



CITY OF
DESERT HOT SPRINGS

STANDARD
DRAWING
NUMBER

EROSION & SEDIMENT CONTROL
General Notes

2004

3 of 3

REV	DESCRIPTION	BY	APP'D	DATE

PM₁₀ DUST MITIGATION NOTES (For All Improvement Plans)

1. ENTIRE SITE SHALL BE PRE-WATERED WITH RAIN BIRD TYPE SPRINKLERS OR EQUIVALENT.
2. BLOWING DUST SHALL BE CONTROLLED BY WATERING DURING CONSTRUCTION AND ON WEEKENDS, AS NECESSARY.
3. LANDSCAPING SHALL BE INSTALLED AS SOON AS PRACTICAL, AND DUST SHALL BE CONTROLLED BY WATERING UNTIL SUCH TIME THAT LANDSCAPING IS INSTALLED.
4. THE DEVELOPER SHALL MAINTAIN RECORDS TO DOCUMENT THE DATES OF ACTIVE OPERATIONS, ALL APPLICABLE FUGITIVE DUST SOURCE TYPES, AND ACTIONS TAKEN. THESE RECORDS SHALL BE RETAINED FOR A PERIOD OF AT LEAST SIX MONTHS AND THESE RECORDS SHALL BE AVAILABLE TO THE CITY OF DESERT HOT SPRINGS, PUBLIC WORKS, ENGINEERING DEPARTMENT UPON REQUEST.
5. THE DEVELOPER SHALL PREVENT THE EMISSIONS OF VISIBLE DUST IN THE ATMOSPHERE BEYOND THE PROJECT BOUNDARY.
6. ON THE LAST DAY OF ACTIVE OPERATIONS PRIOR TO A WEEKEND, HOLIDAY, OR OTHER PERIOD WHEN ACTIVE OPERATIONS WILL OCCUR FOR NOT MORE THAN FOUR (4) CONSECUTIVE DAYS: APPLY WATER WITH A MIXTURE OF CHEMICAL STABILIZER DILUTED TO NOT LESS THAN 1/20th OF THE CONCENTRATION REQUIRED TO MAINTAIN A STABILIZED SURFACE TO LAST FOR A PERIOD OF SIX (6) MONTHS.
7. ACCEPTABLE CHEMICAL STABILIZERS:

7.1	SOIL CEMENT	MIDWEST INDUSTRIAL SUPPLY	1-800-321-0699
7.2	ENVIROKLEEN	MIDWEST INDUSTRIAL SUPPLY	1-800-321-0699
7.3	MAGNESIUM CHLORIDE	LEE CHEMICAL, INC.	1-909-369-5292
7.4	CALCIUM CHLORIDE	LEE CHEMICAL, INC.	1-909-369-5292
7.5	ARENAX (HORSE ARENAS)	MIDWEST INDUSTRIAL SUPPLY	1-800-321-0699
8. HIGH WIND MEASURES (25 MPH OR GREATER)
 - 8.1 CEASE ALL ACTIVE OPERATIONS, AND/OR
 - 8.2 APPLY WATER WITHIN 15 MINUTES TO ANY SOIL SURFACE WHICH IS BEING MOVED OR OTHERWISE DISTURBED.
9. PM₁₀ MEASURES MUST BE IMPLEMENTED DURING ALL ASPECTS OF CONSTRUCTION INCLUDING, BUT NOT LIMITED TO GRADING, EXCAVATION OF FOOTINGS, TRENCHING AND BACKFILL FOR UNDERGROUND UTILITIES, TEMPORARY STOCKPILES, AND BUILDING CONSTRUCTION ACTIVITIES.
10. ALL TRACK OUT DIRT MUST BE CLEANED AND REMOVED FROM STREETS.
11. THE BMPs FROM CONSTRUCTION BMP HANDBOOK OR CALTRANS STORMWATER QUALITY HANDBOOKS, CONSTRUCTION SITE BEST MANAGEMENT PRACTICES (BMP) MANUAL MUST BE IMPLEMENTED FOR ALL CONSTRUCTION ACTIVITIES AS APPLICABLE; INCLUDING EROSION CONTROL, TEMPORARY SEDIMENT CONTROL, WIND EROSION CONTROL, TEMPORARY TRACKING CONTROL, NON-STORMWATER MANAGEMENT, AND WASTE MANAGEMENT AND MATERIAL POLLUTION CONTROL.

APPROVED BY:

Jillleen L. Ferris 8/11/2022
 JILLEEN L. FERRIS, CITY ENGINEER RCE 86193 DATE



CITY OF
DESERT HOT SPRINGS

STANDARD
DRAWING
NUMBER

PM₁₀ DUST MITIGATION NOTES
(For All Improvement Plans)

2005

REV	DESCRIPTION	BY	APP'D	DATE