

ABBREVIATIONS				ARCHITECTURAL REFERENCE SYMBOLS		GENERAL NOTES		DRAWING INDEX																																																																																																																																																																																																																																																																																																																																																																																																																																																																																																																																																																							
<p>ABBREVIATIONS</p> <table border="0"> <tr> <td>A</td> <td>Compressed Air</td> <td>Fdn.</td> <td>FOUNDATION</td> <td>P</td> <td>Pre-cast Concrete</td> <td colspan="4" rowspan="2"> <p>Reference Symbols Indicate that additional information concerning the part of the work referenced may be found at the location indicated by the symbol and as described below.</p> <p>DETAIL PLAN OR ELEVATION AREA OF ENLARGED PLAN OR ENLARGED ELEVATION</p> <p>SINGLE ELEVATION DIRECTION OF ELEVATION DRAWING WHERE ELEVATION IS FOUND</p> <p>MULTIPLE ELEVATIONS DIRECTION OF ELEVATION DRAWING WHERE ELEVATION IS FOUND</p> <p>SECTION MARK DIRECTION OF VIEW SECTION DESIGNATION SHEET WHERE SECTION IS FOUND LINE OF SECTION CUT</p> <p>EXTERIOR ELEVATION MARK DIRECTION OF ELEVATION DRAWING WHERE ELEVATION IS FOUND</p> <p>NORTH ARROW</p> <p>EXTERIOR WINDOW SYMBOL</p> <p>DOOR NUMBER SYMBOL</p> <p>KEY NOTE SEE CORRESPONDING NUMBERED KEY NOTE ON SHEET WHERE REFERENCE OCCURS.</p> <p>LEVEL LINE SECOND FLOOR INDICATES HEIGHT ABOVE PROJECT DATUM. SEE ARCHITECTURAL GENERAL NOTES FOR THE DEFINITION OF DATUM.</p> </td> </tr> <tr> <td>A.B.</td> <td>Anchor Bolt</td> <td>Fin.</td> <td>Finish</td> <td>P.C.</td> <td>Pounds per Cubic Foot</td> </tr> <tr> <td>AC</td> <td>Air Conditioning</td> <td>Flam.</td> <td>Flammable</td> <td>P.D.F.</td> <td>Power Driven Fastener</td> </tr> <tr> <td>A.D.</td> <td>Area Drain</td> <td>Flash.</td> <td>Flashing</td> <td>P.I.P.</td> <td>Poured in Place</td> </tr> <tr> <td>A.D.A.</td> <td>American Disabilities Act</td> <td>Flex.</td> <td>Flexible</td> <td>PLF</td> <td>Pounds per Linear Foot</td> </tr> <tr> <td>A.F.F.</td> <td>Above Finish Floor</td> <td>Fprf.</td> <td>Fire proof</td> <td>PSF</td> <td>Pounds per Square Foot</td> </tr> <tr> <td>Alt.</td> <td>Alternate</td> <td>Frm'g</td> <td>Framing</td> <td>PSI</td> <td>Pounds per Square Inch</td> </tr> <tr> <td>Alum.</td> <td>Aluminum</td> <td>Fl.</td> <td>Foot / Feet</td> <td>P.T.</td> <td>Pressure Treated</td> </tr> <tr> <td>Add'l</td> <td>Additional</td> <td>Fig.</td> <td>Footing</td> <td>Pl.</td> <td>Plate</td> </tr> <tr> <td>Arch.</td> <td>Architect / Architectural</td> <td>Fut.</td> <td>Future</td> <td>Pl.</td> <td>Plywood</td> </tr> <tr> <td>ASTM</td> <td>American Society for Testing & Materials</td> <td>Q</td> <td>Qty.</td> <td>Q</td> <td>Quantity</td> </tr> <tr> <td>Auto.</td> <td>Automatic</td> <td>G.L.</td> <td>Grade Level</td> <td>R</td> <td>Riser / Radius</td> </tr> <tr> <td>@</td> <td>At</td> <td>GLB</td> <td>Glulam Beam</td> <td>R.C.</td> <td>Reinforced Concrete</td> </tr> <tr> <td>B</td> <td>Bottom of</td> <td>G.I.</td> <td>Galvanized Iron</td> <td>R.D.</td> <td>Roof Drain</td> </tr> <tr> <td>B.O.</td> <td>Bottom of</td> <td>GSM</td> <td>Galvanized Sheet Metal</td> <td>R.O.</td> <td>Rough Opening</td> </tr> <tr> <td>B.S.</td> <td>Both Sides</td> <td>GSF</td> <td>Gross Square Feet</td> <td>RCP</td> <td>Reflected Ceiling Plan</td> </tr> <tr> <td>B.U.</td> <td>Built Up</td> <td>Ga.</td> <td>Gage</td> <td>RCM</td> <td>Reinforced Concrete Masonry</td> </tr> <tr> <td>Bd.</td> <td>Board</td> <td>Gal.</td> <td>Gallon</td> <td>Ref.</td> <td>Reference</td> </tr> <tr> <td>Bel.</td> <td>Below</td> <td>Galv.</td> <td>Galvanized</td> <td>Reg.</td> <td>Register</td> </tr> <tr> <td>Blum.</td> <td>Bituminous</td> <td>GI.</td> <td>Glass</td> <td>Reinf.</td> <td>Reinforcing</td> </tr> <tr> <td>Bldg.</td> <td>Building</td> <td>Gyp.</td> <td>Gypsum</td> <td>Rem.</td> <td>Remove</td> </tr> <tr> <td>Blk.</td> <td>Block</td> <td>Gyp. Bd.</td> <td>Gypsum Wallboard</td> <td>Req'd.</td> <td>Required</td> </tr> <tr> <td>Blkg.</td> <td>Blocking</td> <td>H</td> <td>Hose Bib</td> <td>Rev.</td> <td>Revision</td> </tr> <tr> <td>Bm.</td> <td>Beam</td> <td>H.B.</td> <td>Hose Bib</td> <td>Rm.</td> <td>Room</td> </tr> <tr> <td>Brg.</td> <td>Bearing</td> <td>H.R.</td> <td>Hand Rail</td> <td>S</td> <td>South</td> </tr> <tr> <td>Brkt.</td> <td>Bracket</td> <td>H.S.B.</td> <td>High Strength Bolt</td> <td>S.A.D.</td> <td>See Architectural Drawings</td> </tr> <tr> <td>C</td> <td>Channel</td> <td>HVAC</td> <td>Heating Ventilating & Air Conditioning</td> <td>S.A.S.M.</td> <td>Self Adhesive Sheet Membrane</td> </tr> <tr> <td>CCW</td> <td>Counter Clockwise</td> <td>Hdr.</td> <td>Header</td> <td>S.C.D.</td> <td>See Civil Drawings</td> </tr> <tr> <td>C.J.</td> <td>Construction Joint</td> <td>Hgr.</td> <td>Hanger</td> <td>S.E.D.</td> <td>See Electrical Drawings</td> </tr> <tr> <td>C.L.</td> <td>Center Line</td> <td>horiz.</td> <td>Horizontal</td> <td>S.M.D.</td> <td>See Mechanical Drawings</td> </tr> <tr> <td>C.M.U.</td> <td>Concrete Masonry Unit</td> <td>hr.</td> <td>Hour</td> <td>S.P.D.</td> <td>See Plumbing Drawings</td> </tr> <tr> <td>CW</td> <td>Clockwise</td> <td>Ht.</td> <td>Height</td> <td>S.S.D.</td> <td>See Structural Drawings</td> </tr> <tr> <td>Carr.</td> <td>Carriage</td> <td>I</td> <td>Inch</td> <td>S.C.</td> <td>Solid Core</td> </tr> <tr> <td>Clr.</td> <td>Clear / Clearance</td> <td>I.D.</td> <td>Inside Diameter</td> <td>S.J.</td> <td>Seismic Joint</td> </tr> <tr> <td>Cig.</td> <td>Ceiling</td> <td>In.</td> <td>Inch</td> <td>S.O.G.</td> <td>Slab on Grade</td> </tr> <tr> <td>Cond.</td> <td>Condition</td> <td>Incl.</td> <td>Include</td> <td>S.S.</td> <td>Sanitary Sewer</td> </tr> <tr> <td>Conc.</td> <td>Concrete</td> <td>Info.</td> <td>Information</td> <td>S.Sk.</td> <td>Service Sink</td> </tr> <tr> <td>Col.</td> <td>Column</td> <td>Insul.</td> <td>Insulation</td> <td>S.W.</td> <td>Shear Wall</td> </tr> <tr> <td>Conn.</td> <td>Connection</td> <td>Int.</td> <td>Interior</td> <td>Sect.</td> <td>Section</td> </tr> <tr> <td>Cont.</td> <td>Continuous</td> <td>Intam.</td> <td>Intermediate</td> <td>Sh.</td> <td>Sheet</td> </tr> <tr> <td>Const.</td> <td>Construction</td> <td>J</td> <td>Junction Box</td> <td>Shg.</td> <td>Sheathing</td> </tr> <tr> <td>Contr.</td> <td>Contractor</td> <td>J.B.</td> <td>Junction Box</td> <td>Sim.</td> <td>Similar</td> </tr> <tr> <td>Cr.</td> <td>Center</td> <td>Jan.</td> <td>Janitors Closet</td> <td>Simp.</td> <td>Simpson</td> </tr> <tr> <td>Ctrl.</td> <td>Control</td> <td>Jst.</td> <td>Joist</td> <td>Spec.</td> <td>Specification</td> </tr> <tr> <td>D</td> <td>Douglas fir</td> <td>Jt.</td> <td>Joint</td> <td>Spkr.</td> <td>Speaker</td> </tr> <tr> <td>D.F.</td> <td>Door Opening</td> <td>K</td> <td>Key Note</td> <td>Sq.</td> <td>Square</td> </tr> <tr> <td>D.O.</td> <td>Down Spout</td> <td>L</td> <td>Lineal Feet</td> <td>Stag.</td> <td>Staggered</td> </tr> <tr> <td>D.S.</td> <td>Degree</td> <td>L.B.</td> <td>Pound</td> <td>Std.</td> <td>Standard</td> </tr> <tr> <td>Deg.</td> <td>Demolish</td> <td>L.F.</td> <td>Lineal Feet</td> <td>St.</td> <td>Steel</td> </tr> <tr> <td>Demo.</td> <td>Double</td> <td>L.P.</td> <td>Low Point</td> <td>Stor.</td> <td>Storage</td> </tr> <tr> <td>Dbl.</td> <td>Detail</td> <td>Lam.</td> <td>Laminate</td> <td>Struc.</td> <td>Structural</td> </tr> <tr> <td>Det.</td> <td>Diameter</td> <td>Lav.</td> <td>Lavatory</td> <td>Str.</td> <td>Structural</td> </tr> <tr> <td>Dia.</td> <td>Diagonal</td> <td>Lin.</td> <td>Linear</td> <td>Susp.</td> <td>Suspended</td> </tr> <tr> <td>Diag.</td> <td>Dimension</td> <td>Lint.</td> <td>Lintel</td> <td>Svc.</td> <td>Service</td> </tr> <tr> <td>Dim.</td> <td>Down</td> <td>Long.</td> <td>Longitudinal</td> <td>Symm.</td> <td>Symmetrical</td> </tr> <tr> <td>Dn.</td> <td>Drawing</td> <td></td> <td></td> <td>Sys.</td> <td>System</td> </tr> <tr> <td>Dwg.</td> <td></td> <td></td> <td></td> <td>T</td> <td>Tread</td> </tr> <tr> <td>E</td> <td>East</td> <td>M</td> <td>Machine Bolt</td> <td>T & B</td> <td>Top and Bottom</td> </tr> <tr> <td>E</td> <td>Each Face</td> <td>M.B.</td> <td>Machine Bolt</td> <td>T & G</td> <td>Tongue and Groove</td> </tr> <tr> <td>E.F.</td> <td>Edge Nail</td> <td>Mach.</td> <td>Machine</td> <td>T.O.</td> <td>Top of</td> </tr> <tr> <td>E.N.</td> <td>Electrically Welded</td> <td>MaInt.</td> <td>Maintenance</td> <td>Tech.</td> <td>Technician</td> </tr> <tr> <td>E.W.W.F.</td> <td>Wire Fabric</td> <td>Mas.</td> <td>Masonry</td> <td>Tele.</td> <td>Telephone</td> </tr> <tr> <td>(E)</td> <td>Existing</td> <td>Matl.</td> <td>Material</td> <td>Temp.</td> <td>Temperature</td> </tr> <tr> <td>EA</td> <td>Each</td> <td>Manuf.</td> <td>Manufacturer</td> <td>Thru</td> <td>Through</td> </tr> <tr> <td>El</td> <td>Elevation</td> <td>Max.</td> <td>Maximum</td> <td>Toil.</td> <td>Toilet</td> </tr> <tr> <td>EA</td> <td>Each</td> <td>Mech.</td> <td>Mechanical</td> <td>Trans.</td> <td>Transverse</td> </tr> <tr> <td>El</td> <td>Elevation</td> <td>Memb.</td> <td>Membrane</td> <td>Typ.</td> <td>Typical</td> </tr> <tr> <td>Elec.</td> <td>Electrical</td> <td>Mfr.</td> <td>Manufacturer</td> <td>U</td> <td>Unless Otherwise Noted</td> </tr> <tr> <td>Elev.</td> <td>Elevator</td> <td>Min.</td> <td>Minimum</td> <td>U.P.S.</td> <td>Uninterruptible Power</td> </tr> <tr> <td>Emer.</td> <td>Emergency</td> <td>Mult.</td> <td>Multiple</td> <td>Unexc.</td> <td>Unexcavated</td> </tr> <tr> <td>Engr.</td> <td>Engineer</td> <td>Misc.</td> <td>Miscellaneous</td> <td>Unfin.</td> <td>Unfinished</td> </tr> <tr> <td>EQ.</td> <td>Equal</td> <td>N</td> <td>North</td> <td>Util.</td> <td>Utility</td> </tr> <tr> <td>Equip.</td> <td>Equipment</td> <td>N.A.</td> <td>Not Applicable</td> <td>V</td> <td>Vapor Barrier</td> </tr> <tr> <td>Exc.</td> <td>Excavate</td> <td>N.B.F.U.</td> <td>National Board of Fire Underwriters</td> <td>VB</td> <td>Vapor Barrier</td> </tr> <tr> <td>Exh.</td> <td>Exhaust</td> <td>N.F.P.A.</td> <td>National Fire Protection Association</td> <td>V.I.F.</td> <td>Verify in Field</td> </tr> <tr> <td>Exp.</td> <td>Expansion</td> <td>N.I.C.</td> <td>Not In Contract</td> <td>V.P.</td> <td>Vision Panel</td> </tr> <tr> <td>Exp. Jt.</td> <td>Expansion Joint</td> <td>N.T.S.</td> <td>Not To Scale</td> <td>Ver.</td> <td>Vertical</td> </tr> <tr> <td>Ext.</td> <td>Exterior</td> <td>(N)</td> <td>New</td> <td>Vol.</td> <td>Volume</td> </tr> <tr> <td>E</td> <td>Fire Alarm</td> <td>No.</td> <td>Number</td> <td>W</td> <td>West</td> </tr> <tr> <td>F.A.</td> <td>Fresh Air Inlet</td> <td>Norm.</td> <td>Normal</td> <td>W.</td> <td>Window</td> </tr> <tr> <td>F.A.I.</td> <td>Floor Drain</td> <td>O.C.</td> <td>On Center</td> <td>WDW.</td> <td>Wide Flange</td> </tr> <tr> <td>F.D.</td> <td>Fire Extinguisher</td> <td>O.D.</td> <td>Outside Diameter</td> <td>WF</td> <td>Wireglass</td> </tr> <tr> <td>F.E.</td> <td>Fire Hose</td> <td>O.F.O.</td> <td>Outside Face of Owner Furnished, Contractor Installed</td> <td>W/GI.</td> <td>Waterproofing</td> </tr> <tr> <td>FHVC</td> <td>Valve Cabinet</td> <td>O.F.C.I.</td> <td>Owner Furnished, Contractor Installed</td> <td>WWF</td> <td>Welded Wire Fabric</td> </tr> <tr> <td>F.O.</td> <td>Face of</td> <td>O.F.O.I.</td> <td>Owner Furnished, Owner Installed</td> <td>w/</td> <td>With</td> </tr> <tr> <td>F.S.</td> <td>Full Size</td> <td>O.H.</td> <td>Opposite Hand</td> <td>w/o</td> <td>Without</td> </tr> <tr> <td>F.W.</td> <td>Fat Wise</td> <td>OSHPD</td> <td>Office of Statewide Health Planning & Development</td> <td>Wd.</td> <td>Wood</td> </tr> <tr> <td></td> <td></td> <td>Obs.</td> <td>Obscure</td> <td>Wt.</td> <td>Weight</td> </tr> <tr> <td></td> <td></td> <td>Opng.</td> <td>Opening</td> <td></td> <td></td> </tr> <tr> <td></td> <td></td> <td>Opp.</td> <td>Opposite</td> <td></td> <td></td> </tr> <tr> <td></td> <td></td> <td>Oz.</td> <td>Ounce</td> <td></td> <td></td> </tr> </table>				A	Compressed Air	Fdn.	FOUNDATION	P	Pre-cast Concrete	<p>Reference Symbols Indicate that additional information concerning the part of the work referenced may be found at the location indicated by the symbol and as described below.</p> <p>DETAIL PLAN OR ELEVATION AREA OF ENLARGED PLAN OR ENLARGED ELEVATION</p> <p>SINGLE ELEVATION DIRECTION OF ELEVATION DRAWING WHERE ELEVATION IS FOUND</p> <p>MULTIPLE ELEVATIONS DIRECTION OF ELEVATION DRAWING WHERE ELEVATION IS FOUND</p> <p>SECTION MARK DIRECTION OF VIEW SECTION DESIGNATION SHEET WHERE SECTION IS FOUND LINE OF SECTION CUT</p> <p>EXTERIOR ELEVATION MARK DIRECTION OF ELEVATION DRAWING WHERE ELEVATION IS FOUND</p> <p>NORTH ARROW</p> <p>EXTERIOR WINDOW SYMBOL</p> <p>DOOR NUMBER SYMBOL</p> <p>KEY NOTE SEE CORRESPONDING NUMBERED KEY NOTE ON SHEET WHERE REFERENCE OCCURS.</p> <p>LEVEL LINE SECOND FLOOR INDICATES HEIGHT ABOVE PROJECT DATUM. SEE ARCHITECTURAL GENERAL NOTES FOR THE DEFINITION OF DATUM.</p>				A.B.	Anchor Bolt	Fin.	Finish	P.C.	Pounds per Cubic Foot	AC	Air Conditioning	Flam.	Flammable	P.D.F.	Power Driven Fastener	A.D.	Area Drain	Flash.	Flashing	P.I.P.	Poured in Place	A.D.A.	American Disabilities Act	Flex.	Flexible	PLF	Pounds per Linear Foot	A.F.F.	Above Finish Floor	Fprf.	Fire proof	PSF	Pounds per Square Foot	Alt.	Alternate	Frm'g	Framing	PSI	Pounds per Square Inch	Alum.	Aluminum	Fl.	Foot / Feet	P.T.	Pressure Treated	Add'l	Additional	Fig.	Footing	Pl.	Plate	Arch.	Architect / Architectural	Fut.	Future	Pl.	Plywood	ASTM	American Society for Testing & Materials	Q	Qty.	Q	Quantity	Auto.	Automatic	G.L.	Grade Level	R	Riser / Radius	@	At	GLB	Glulam Beam	R.C.	Reinforced Concrete	B	Bottom of	G.I.	Galvanized Iron	R.D.	Roof Drain	B.O.	Bottom of	GSM	Galvanized Sheet Metal	R.O.	Rough Opening	B.S.	Both Sides	GSF	Gross Square Feet	RCP	Reflected Ceiling Plan	B.U.	Built Up	Ga.	Gage	RCM	Reinforced Concrete Masonry	Bd.	Board	Gal.	Gallon	Ref.	Reference	Bel.	Below	Galv.	Galvanized	Reg.	Register	Blum.	Bituminous	GI.	Glass	Reinf.	Reinforcing	Bldg.	Building	Gyp.	Gypsum	Rem.	Remove	Blk.	Block	Gyp. Bd.	Gypsum Wallboard	Req'd.	Required	Blkg.	Blocking	H	Hose Bib	Rev.	Revision	Bm.	Beam	H.B.	Hose Bib	Rm.	Room	Brg.	Bearing	H.R.	Hand Rail	S	South	Brkt.	Bracket	H.S.B.	High Strength Bolt	S.A.D.	See Architectural Drawings	C	Channel	HVAC	Heating Ventilating & Air Conditioning	S.A.S.M.	Self Adhesive Sheet Membrane	CCW	Counter Clockwise	Hdr.	Header	S.C.D.	See Civil Drawings	C.J.	Construction Joint	Hgr.	Hanger	S.E.D.	See Electrical Drawings	C.L.	Center Line	horiz.	Horizontal	S.M.D.	See Mechanical Drawings	C.M.U.	Concrete Masonry Unit	hr.	Hour	S.P.D.	See Plumbing Drawings	CW	Clockwise	Ht.	Height	S.S.D.	See Structural Drawings	Carr.	Carriage	I	Inch	S.C.	Solid Core	Clr.	Clear / Clearance	I.D.	Inside Diameter	S.J.	Seismic Joint	Cig.	Ceiling	In.	Inch	S.O.G.	Slab on Grade	Cond.	Condition	Incl.	Include	S.S.	Sanitary Sewer	Conc.	Concrete	Info.	Information	S.Sk.	Service Sink	Col.	Column	Insul.	Insulation	S.W.	Shear Wall	Conn.	Connection	Int.	Interior	Sect.	Section	Cont.	Continuous	Intam.	Intermediate	Sh.	Sheet	Const.	Construction	J	Junction Box	Shg.	Sheathing	Contr.	Contractor	J.B.	Junction Box	Sim.	Similar	Cr.	Center	Jan.	Janitors Closet	Simp.	Simpson	Ctrl.	Control	Jst.	Joist	Spec.	Specification	D	Douglas fir	Jt.	Joint	Spkr.	Speaker	D.F.	Door Opening	K	Key Note	Sq.	Square	D.O.	Down Spout	L	Lineal Feet	Stag.	Staggered	D.S.	Degree	L.B.	Pound	Std.	Standard	Deg.	Demolish	L.F.	Lineal Feet	St.	Steel	Demo.	Double	L.P.	Low Point	Stor.	Storage	Dbl.	Detail	Lam.	Laminate	Struc.	Structural	Det.	Diameter	Lav.	Lavatory	Str.	Structural	Dia.	Diagonal	Lin.	Linear	Susp.	Suspended	Diag.	Dimension	Lint.	Lintel	Svc.	Service	Dim.	Down	Long.	Longitudinal	Symm.	Symmetrical	Dn.	Drawing			Sys.	System	Dwg.				T	Tread	E	East	M	Machine Bolt	T & B	Top and Bottom	E	Each Face	M.B.	Machine Bolt	T & G	Tongue and Groove	E.F.	Edge Nail	Mach.	Machine	T.O.	Top of	E.N.	Electrically Welded	MaInt.	Maintenance	Tech.	Technician	E.W.W.F.	Wire Fabric	Mas.	Masonry	Tele.	Telephone	(E)	Existing	Matl.	Material	Temp.	Temperature	EA	Each	Manuf.	Manufacturer	Thru	Through	El	Elevation	Max.	Maximum	Toil.	Toilet	EA	Each	Mech.	Mechanical	Trans.	Transverse	El	Elevation	Memb.	Membrane	Typ.	Typical	Elec.	Electrical	Mfr.	Manufacturer	U	Unless Otherwise Noted	Elev.	Elevator	Min.	Minimum	U.P.S.	Uninterruptible Power	Emer.	Emergency	Mult.	Multiple	Unexc.	Unexcavated	Engr.	Engineer	Misc.	Miscellaneous	Unfin.	Unfinished	EQ.	Equal	N	North	Util.	Utility	Equip.	Equipment	N.A.	Not Applicable	V	Vapor Barrier	Exc.	Excavate	N.B.F.U.	National Board of Fire Underwriters	VB	Vapor Barrier	Exh.	Exhaust	N.F.P.A.	National Fire Protection Association	V.I.F.	Verify in Field	Exp.	Expansion	N.I.C.	Not In Contract	V.P.	Vision Panel	Exp. Jt.	Expansion Joint	N.T.S.	Not To Scale	Ver.	Vertical	Ext.	Exterior	(N)	New	Vol.	Volume	E	Fire Alarm	No.	Number	W	West	F.A.	Fresh Air Inlet	Norm.	Normal	W.	Window	F.A.I.	Floor Drain	O.C.	On Center	WDW.	Wide Flange	F.D.	Fire Extinguisher	O.D.	Outside Diameter	WF	Wireglass	F.E.	Fire Hose	O.F.O.	Outside Face of Owner Furnished, Contractor Installed	W/GI.	Waterproofing	FHVC	Valve Cabinet	O.F.C.I.	Owner Furnished, Contractor Installed	WWF	Welded Wire Fabric	F.O.	Face of	O.F.O.I.	Owner Furnished, Owner Installed	w/	With	F.S.	Full Size	O.H.	Opposite Hand	w/o	Without	F.W.	Fat Wise	OSHPD	Office of Statewide Health Planning & Development	Wd.	Wood			Obs.	Obscure	Wt.	Weight			Opng.	Opening					Opp.	Opposite					Oz.	Ounce			<p>ARCHITECTURAL REFERENCE SYMBOLS</p> <p>Reference Symbols Indicate that additional information concerning the part of the work referenced may be found at the location indicated by the symbol and as described below.</p> <p>DETAIL PLAN OR ELEVATION AREA OF ENLARGED PLAN OR ENLARGED ELEVATION</p> <p>SINGLE ELEVATION DIRECTION OF ELEVATION DRAWING WHERE ELEVATION IS FOUND</p> <p>MULTIPLE ELEVATIONS DIRECTION OF ELEVATION DRAWING WHERE ELEVATION IS FOUND</p> <p>SECTION MARK DIRECTION OF VIEW SECTION DESIGNATION SHEET WHERE SECTION IS FOUND LINE OF SECTION CUT</p> <p>EXTERIOR ELEVATION MARK DIRECTION OF ELEVATION DRAWING WHERE ELEVATION IS FOUND</p> <p>NORTH ARROW</p> <p>EXTERIOR WINDOW SYMBOL</p> <p>DOOR NUMBER SYMBOL</p> <p>KEY NOTE SEE CORRESPONDING NUMBERED KEY NOTE ON SHEET WHERE REFERENCE OCCURS.</p> <p>LEVEL LINE SECOND FLOOR INDICATES HEIGHT ABOVE PROJECT DATUM. SEE ARCHITECTURAL GENERAL NOTES FOR THE DEFINITION OF DATUM.</p>		<p>GENERAL NOTES</p> <ol style="list-style-type: none"> All construction and installation shall conform to the current editions of all applicable Federal, State and Local regulations, including but not limited to the following California Codes: Building (2016 CBC), Mechanical (2016 CMC), Plumbing (2016 CPC), Electrical (2016 CEC), California Fire Code 2016, and California Title 24 (2016 T. 24, CCR). In the event of conflicts, the most stringent requirements shall apply. The work included under this contract consists of all labor, materials, transportation, tools and equipment necessary for the construction of the project leaving all work ready for use. No deviations or substitutions shall be allowed without obtaining approval from the owner. Make sure documents clearly define scope. Contractor shall guarantee all work for one year as evidenced by the date of the final certificate of payment. Contractor shall provide release of all subcontractor liens before final payment is made. The plans indicate the general extent of new construction necessary for the work, but are not intended to be all-inclusive. This is a Building Permit Set, not a Construction Set. Any errors, omissions or conflicts found in the various parts of the construction documents shall be brought to the attention of the Architect and the Owner for clarification before proceeding with the work. The Contractor shall maintain a current and complete set of construction documents on the job site during all phases of construction for use by all trades and shall provide all subcontractors with current construction documents as required. The Contractor shall verify and assume responsibility for all dimensions and site conditions and report any discrepancies to the architect before proceeding, should any contractor or subcontractor find any deficiencies. The Contractor shall inspect and take note of existing site conditions prior to submitting prices. No claim shall be allowed for difficulties encountered which could have reasonably been inferred from such examination. Written dimensions take precedence over scaled dimensions. Do not scale drawings. If there is a conflict, notify the architect and obtain clarification. All dimensions when shown in plan are to face of finish, unless otherwise noted. Dimension point datum indicated on details show plan or vertical dimension points. All vertical dimensions are to top of plate, top of subfloor or top of slab in sections or elevations, unless otherwise noted. All interior wood frame partitions are to be 2x4 at 16" o.c. unless otherwise noted. Contractor shall coordinate all work with existing conditions, including but not limited to: irrigation pipes, electrical conduit, water lines, drainage lines, gas lines, waste lines, etc. Contractor shall protect all existing site conditions to remain including trees, shrubs, fences, etc. Details shown are typical. Similar details apply in similar conditions. Contractor shall verify all architectural details with structural, mechanical or electrical conditions before the ordering of, or installation of any item of work. Where locations of window and doors are not dimensioned, they shall be centered in the wall or placed two stud widths from adjacent wall as indicated on the drawings. All changes in floor material occur at centerline of door or framed opening unless otherwise indicated on the drawings. Contractor shall be responsible for installing all equipment and materials per manufacturer's recommendations and applicable industry standards. Verify clearances for flues, vents, chases, soffits, fixtures, etc. before any construction, ordering of or installation of any item of work. Sealant, caulking and flashing, etc. locations shown on drawing are not intended to be inclusive. Follow manufacturer's installation recommendations and standard industry and building practices. 		<p>DRAWING INDEX</p> <p>General A0.0 Cover Sheet</p> <p>Architectural A2.0 As-Built / Demo Plans / Notes A3.1 Proposed Floor / Roof Framing Plan / Notes A3.1 Proposed Elevations / Sections / Details</p>	
A	Compressed Air	Fdn.	FOUNDATION	P	Pre-cast Concrete	<p>Reference Symbols Indicate that additional information concerning the part of the work referenced may be found at the location indicated by the symbol and as described below.</p> <p>DETAIL PLAN OR ELEVATION AREA OF ENLARGED PLAN OR ENLARGED ELEVATION</p> <p>SINGLE ELEVATION DIRECTION OF ELEVATION DRAWING WHERE ELEVATION IS FOUND</p> <p>MULTIPLE ELEVATIONS DIRECTION OF ELEVATION DRAWING WHERE ELEVATION IS FOUND</p> <p>SECTION MARK DIRECTION OF VIEW SECTION DESIGNATION SHEET WHERE SECTION IS FOUND LINE OF SECTION CUT</p> <p>EXTERIOR ELEVATION MARK DIRECTION OF ELEVATION DRAWING WHERE ELEVATION IS FOUND</p> <p>NORTH ARROW</p> <p>EXTERIOR WINDOW SYMBOL</p> <p>DOOR NUMBER SYMBOL</p> <p>KEY NOTE SEE CORRESPONDING NUMBERED KEY NOTE ON SHEET WHERE REFERENCE OCCURS.</p> <p>LEVEL LINE SECOND FLOOR INDICATES HEIGHT ABOVE PROJECT DATUM. SEE ARCHITECTURAL GENERAL NOTES FOR THE DEFINITION OF DATUM.</p>																																																																																																																																																																																																																																																																																																																																																																																																																																																																																																																																																																									
A.B.	Anchor Bolt	Fin.	Finish	P.C.	Pounds per Cubic Foot																																																																																																																																																																																																																																																																																																																																																																																																																																																																																																																																																																										
AC	Air Conditioning	Flam.	Flammable	P.D.F.	Power Driven Fastener																																																																																																																																																																																																																																																																																																																																																																																																																																																																																																																																																																										
A.D.	Area Drain	Flash.	Flashing	P.I.P.	Poured in Place																																																																																																																																																																																																																																																																																																																																																																																																																																																																																																																																																																										
A.D.A.	American Disabilities Act	Flex.	Flexible	PLF	Pounds per Linear Foot																																																																																																																																																																																																																																																																																																																																																																																																																																																																																																																																																																										
A.F.F.	Above Finish Floor	Fprf.	Fire proof	PSF	Pounds per Square Foot																																																																																																																																																																																																																																																																																																																																																																																																																																																																																																																																																																										
Alt.	Alternate	Frm'g	Framing	PSI	Pounds per Square Inch																																																																																																																																																																																																																																																																																																																																																																																																																																																																																																																																																																										
Alum.	Aluminum	Fl.	Foot / Feet	P.T.	Pressure Treated																																																																																																																																																																																																																																																																																																																																																																																																																																																																																																																																																																										
Add'l	Additional	Fig.	Footing	Pl.	Plate																																																																																																																																																																																																																																																																																																																																																																																																																																																																																																																																																																										
Arch.	Architect / Architectural	Fut.	Future	Pl.	Plywood																																																																																																																																																																																																																																																																																																																																																																																																																																																																																																																																																																										
ASTM	American Society for Testing & Materials	Q	Qty.	Q	Quantity																																																																																																																																																																																																																																																																																																																																																																																																																																																																																																																																																																										
Auto.	Automatic	G.L.	Grade Level	R	Riser / Radius																																																																																																																																																																																																																																																																																																																																																																																																																																																																																																																																																																										
@	At	GLB	Glulam Beam	R.C.	Reinforced Concrete																																																																																																																																																																																																																																																																																																																																																																																																																																																																																																																																																																										
B	Bottom of	G.I.	Galvanized Iron	R.D.	Roof Drain																																																																																																																																																																																																																																																																																																																																																																																																																																																																																																																																																																										
B.O.	Bottom of	GSM	Galvanized Sheet Metal	R.O.	Rough Opening																																																																																																																																																																																																																																																																																																																																																																																																																																																																																																																																																																										
B.S.	Both Sides	GSF	Gross Square Feet	RCP	Reflected Ceiling Plan																																																																																																																																																																																																																																																																																																																																																																																																																																																																																																																																																																										
B.U.	Built Up	Ga.	Gage	RCM	Reinforced Concrete Masonry																																																																																																																																																																																																																																																																																																																																																																																																																																																																																																																																																																										
Bd.	Board	Gal.	Gallon	Ref.	Reference																																																																																																																																																																																																																																																																																																																																																																																																																																																																																																																																																																										
Bel.	Below	Galv.	Galvanized	Reg.	Register																																																																																																																																																																																																																																																																																																																																																																																																																																																																																																																																																																										
Blum.	Bituminous	GI.	Glass	Reinf.	Reinforcing																																																																																																																																																																																																																																																																																																																																																																																																																																																																																																																																																																										
Bldg.	Building	Gyp.	Gypsum	Rem.	Remove																																																																																																																																																																																																																																																																																																																																																																																																																																																																																																																																																																										
Blk.	Block	Gyp. Bd.	Gypsum Wallboard	Req'd.	Required																																																																																																																																																																																																																																																																																																																																																																																																																																																																																																																																																																										
Blkg.	Blocking	H	Hose Bib	Rev.	Revision																																																																																																																																																																																																																																																																																																																																																																																																																																																																																																																																																																										
Bm.	Beam	H.B.	Hose Bib	Rm.	Room																																																																																																																																																																																																																																																																																																																																																																																																																																																																																																																																																																										
Brg.	Bearing	H.R.	Hand Rail	S	South																																																																																																																																																																																																																																																																																																																																																																																																																																																																																																																																																																										
Brkt.	Bracket	H.S.B.	High Strength Bolt	S.A.D.	See Architectural Drawings																																																																																																																																																																																																																																																																																																																																																																																																																																																																																																																																																																										
C	Channel	HVAC	Heating Ventilating & Air Conditioning	S.A.S.M.	Self Adhesive Sheet Membrane																																																																																																																																																																																																																																																																																																																																																																																																																																																																																																																																																																										
CCW	Counter Clockwise	Hdr.	Header	S.C.D.	See Civil Drawings																																																																																																																																																																																																																																																																																																																																																																																																																																																																																																																																																																										
C.J.	Construction Joint	Hgr.	Hanger	S.E.D.	See Electrical Drawings																																																																																																																																																																																																																																																																																																																																																																																																																																																																																																																																																																										
C.L.	Center Line	horiz.	Horizontal	S.M.D.	See Mechanical Drawings																																																																																																																																																																																																																																																																																																																																																																																																																																																																																																																																																																										
C.M.U.	Concrete Masonry Unit	hr.	Hour	S.P.D.	See Plumbing Drawings																																																																																																																																																																																																																																																																																																																																																																																																																																																																																																																																																																										
CW	Clockwise	Ht.	Height	S.S.D.	See Structural Drawings																																																																																																																																																																																																																																																																																																																																																																																																																																																																																																																																																																										
Carr.	Carriage	I	Inch	S.C.	Solid Core																																																																																																																																																																																																																																																																																																																																																																																																																																																																																																																																																																										
Clr.	Clear / Clearance	I.D.	Inside Diameter	S.J.	Seismic Joint																																																																																																																																																																																																																																																																																																																																																																																																																																																																																																																																																																										
Cig.	Ceiling	In.	Inch	S.O.G.	Slab on Grade																																																																																																																																																																																																																																																																																																																																																																																																																																																																																																																																																																										
Cond.	Condition	Incl.	Include	S.S.	Sanitary Sewer																																																																																																																																																																																																																																																																																																																																																																																																																																																																																																																																																																										
Conc.	Concrete	Info.	Information	S.Sk.	Service Sink																																																																																																																																																																																																																																																																																																																																																																																																																																																																																																																																																																										
Col.	Column	Insul.	Insulation	S.W.	Shear Wall																																																																																																																																																																																																																																																																																																																																																																																																																																																																																																																																																																										
Conn.	Connection	Int.	Interior	Sect.	Section																																																																																																																																																																																																																																																																																																																																																																																																																																																																																																																																																																										
Cont.	Continuous	Intam.	Intermediate	Sh.	Sheet																																																																																																																																																																																																																																																																																																																																																																																																																																																																																																																																																																										
Const.	Construction	J	Junction Box	Shg.	Sheathing																																																																																																																																																																																																																																																																																																																																																																																																																																																																																																																																																																										
Contr.	Contractor	J.B.	Junction Box	Sim.	Similar																																																																																																																																																																																																																																																																																																																																																																																																																																																																																																																																																																										
Cr.	Center	Jan.	Janitors Closet	Simp.	Simpson																																																																																																																																																																																																																																																																																																																																																																																																																																																																																																																																																																										
Ctrl.	Control	Jst.	Joist	Spec.	Specification																																																																																																																																																																																																																																																																																																																																																																																																																																																																																																																																																																										
D	Douglas fir	Jt.	Joint	Spkr.	Speaker																																																																																																																																																																																																																																																																																																																																																																																																																																																																																																																																																																										
D.F.	Door Opening	K	Key Note	Sq.	Square																																																																																																																																																																																																																																																																																																																																																																																																																																																																																																																																																																										
D.O.	Down Spout	L	Lineal Feet	Stag.	Staggered																																																																																																																																																																																																																																																																																																																																																																																																																																																																																																																																																																										
D.S.	Degree	L.B.	Pound	Std.	Standard																																																																																																																																																																																																																																																																																																																																																																																																																																																																																																																																																																										
Deg.	Demolish	L.F.	Lineal Feet	St.	Steel																																																																																																																																																																																																																																																																																																																																																																																																																																																																																																																																																																										
Demo.	Double	L.P.	Low Point	Stor.	Storage																																																																																																																																																																																																																																																																																																																																																																																																																																																																																																																																																																										
Dbl.	Detail	Lam.	Laminate	Struc.	Structural																																																																																																																																																																																																																																																																																																																																																																																																																																																																																																																																																																										
Det.	Diameter	Lav.	Lavatory	Str.	Structural																																																																																																																																																																																																																																																																																																																																																																																																																																																																																																																																																																										
Dia.	Diagonal	Lin.	Linear	Susp.	Suspended																																																																																																																																																																																																																																																																																																																																																																																																																																																																																																																																																																										
Diag.	Dimension	Lint.	Lintel	Svc.	Service																																																																																																																																																																																																																																																																																																																																																																																																																																																																																																																																																																										
Dim.	Down	Long.	Longitudinal	Symm.	Symmetrical																																																																																																																																																																																																																																																																																																																																																																																																																																																																																																																																																																										
Dn.	Drawing			Sys.	System																																																																																																																																																																																																																																																																																																																																																																																																																																																																																																																																																																										
Dwg.				T	Tread																																																																																																																																																																																																																																																																																																																																																																																																																																																																																																																																																																										
E	East	M	Machine Bolt	T & B	Top and Bottom																																																																																																																																																																																																																																																																																																																																																																																																																																																																																																																																																																										
E	Each Face	M.B.	Machine Bolt	T & G	Tongue and Groove																																																																																																																																																																																																																																																																																																																																																																																																																																																																																																																																																																										
E.F.	Edge Nail	Mach.	Machine	T.O.	Top of																																																																																																																																																																																																																																																																																																																																																																																																																																																																																																																																																																										
E.N.	Electrically Welded	MaInt.	Maintenance	Tech.	Technician																																																																																																																																																																																																																																																																																																																																																																																																																																																																																																																																																																										
E.W.W.F.	Wire Fabric	Mas.	Masonry	Tele.	Telephone																																																																																																																																																																																																																																																																																																																																																																																																																																																																																																																																																																										
(E)	Existing	Matl.	Material	Temp.	Temperature																																																																																																																																																																																																																																																																																																																																																																																																																																																																																																																																																																										
EA	Each	Manuf.	Manufacturer	Thru	Through																																																																																																																																																																																																																																																																																																																																																																																																																																																																																																																																																																										
El	Elevation	Max.	Maximum	Toil.	Toilet																																																																																																																																																																																																																																																																																																																																																																																																																																																																																																																																																																										
EA	Each	Mech.	Mechanical	Trans.	Transverse																																																																																																																																																																																																																																																																																																																																																																																																																																																																																																																																																																										
El	Elevation	Memb.	Membrane	Typ.	Typical																																																																																																																																																																																																																																																																																																																																																																																																																																																																																																																																																																										
Elec.	Electrical	Mfr.	Manufacturer	U	Unless Otherwise Noted																																																																																																																																																																																																																																																																																																																																																																																																																																																																																																																																																																										
Elev.	Elevator	Min.	Minimum	U.P.S.	Uninterruptible Power																																																																																																																																																																																																																																																																																																																																																																																																																																																																																																																																																																										
Emer.	Emergency	Mult.	Multiple	Unexc.	Unexcavated																																																																																																																																																																																																																																																																																																																																																																																																																																																																																																																																																																										
Engr.	Engineer	Misc.	Miscellaneous	Unfin.	Unfinished																																																																																																																																																																																																																																																																																																																																																																																																																																																																																																																																																																										
EQ.	Equal	N	North	Util.	Utility																																																																																																																																																																																																																																																																																																																																																																																																																																																																																																																																																																										
Equip.	Equipment	N.A.	Not Applicable	V	Vapor Barrier																																																																																																																																																																																																																																																																																																																																																																																																																																																																																																																																																																										
Exc.	Excavate	N.B.F.U.	National Board of Fire Underwriters	VB	Vapor Barrier																																																																																																																																																																																																																																																																																																																																																																																																																																																																																																																																																																										
Exh.	Exhaust	N.F.P.A.	National Fire Protection Association	V.I.F.	Verify in Field																																																																																																																																																																																																																																																																																																																																																																																																																																																																																																																																																																										
Exp.	Expansion	N.I.C.	Not In Contract	V.P.	Vision Panel																																																																																																																																																																																																																																																																																																																																																																																																																																																																																																																																																																										
Exp. Jt.	Expansion Joint	N.T.S.	Not To Scale	Ver.	Vertical																																																																																																																																																																																																																																																																																																																																																																																																																																																																																																																																																																										
Ext.	Exterior	(N)	New	Vol.	Volume																																																																																																																																																																																																																																																																																																																																																																																																																																																																																																																																																																										
E	Fire Alarm	No.	Number	W	West																																																																																																																																																																																																																																																																																																																																																																																																																																																																																																																																																																										
F.A.	Fresh Air Inlet	Norm.	Normal	W.	Window																																																																																																																																																																																																																																																																																																																																																																																																																																																																																																																																																																										
F.A.I.	Floor Drain	O.C.	On Center	WDW.	Wide Flange																																																																																																																																																																																																																																																																																																																																																																																																																																																																																																																																																																										
F.D.	Fire Extinguisher	O.D.	Outside Diameter	WF	Wireglass																																																																																																																																																																																																																																																																																																																																																																																																																																																																																																																																																																										
F.E.	Fire Hose	O.F.O.	Outside Face of Owner Furnished, Contractor Installed	W/GI.	Waterproofing																																																																																																																																																																																																																																																																																																																																																																																																																																																																																																																																																																										
FHVC	Valve Cabinet	O.F.C.I.	Owner Furnished, Contractor Installed	WWF	Welded Wire Fabric																																																																																																																																																																																																																																																																																																																																																																																																																																																																																																																																																																										
F.O.	Face of	O.F.O.I.	Owner Furnished, Owner Installed	w/	With																																																																																																																																																																																																																																																																																																																																																																																																																																																																																																																																																																										
F.S.	Full Size	O.H.	Opposite Hand	w/o	Without																																																																																																																																																																																																																																																																																																																																																																																																																																																																																																																																																																										
F.W.	Fat Wise	OSHPD	Office of Statewide Health Planning & Development	Wd.	Wood																																																																																																																																																																																																																																																																																																																																																																																																																																																																																																																																																																										
		Obs.	Obscure	Wt.	Weight																																																																																																																																																																																																																																																																																																																																																																																																																																																																																																																																																																										
		Opng.	Opening																																																																																																																																																																																																																																																																																																																																																																																																																																																																																																																																																																												
		Opp.	Opposite																																																																																																																																																																																																																																																																																																																																																																																																																																																																																																																																																																												
		Oz.	Ounce																																																																																																																																																																																																																																																																																																																																																																																																																																																																																																																																																																												
<p>PROJECT DATA</p> <table border="0"> <tr> <td>1. Project Address</td> <td>Fairfax Parkade</td> </tr> <tr> <td>2. Assessor's Parcel No.</td> <td></td> </tr> <tr> <td>3. Zoning</td> <td>Central Commercial</td> </tr> <tr> <td>4. Applicable Codes</td> <td>2016 CBC, CMC, CPC, CEC 2016 Calif. Fire Code 2016 Calif. Title 24, CCR City of Los Angeles Municipal Code</td> </tr> <tr> <td>5. Occupancy</td> <td>Group B</td> </tr> <tr> <td>6. Type of Construction</td> <td>Type V (B)</td> </tr> </table>				1. Project Address	Fairfax Parkade	2. Assessor's Parcel No.		3. Zoning	Central Commercial	4. Applicable Codes	2016 CBC, CMC, CPC, CEC 2016 Calif. Fire Code 2016 Calif. Title 24, CCR City of Los Angeles Municipal Code	5. Occupancy	Group B	6. Type of Construction	Type V (B)	<p>VICINITY MAP</p>																																																																																																																																																																																																																																																																																																																																																																																																																																																																																																																																																															
1. Project Address	Fairfax Parkade																																																																																																																																																																																																																																																																																																																																																																																																																																																																																																																																																																														
2. Assessor's Parcel No.																																																																																																																																																																																																																																																																																																																																																																																																																																																																																																																																																																															
3. Zoning	Central Commercial																																																																																																																																																																																																																																																																																																																																																																																																																																																																																																																																																																														
4. Applicable Codes	2016 CBC, CMC, CPC, CEC 2016 Calif. Fire Code 2016 Calif. Title 24, CCR City of Los Angeles Municipal Code																																																																																																																																																																																																																																																																																																																																																																																																																																																																																																																																																																														
5. Occupancy	Group B																																																																																																																																																																																																																																																																																																																																																																																																																																																																																																																																																																														
6. Type of Construction	Type V (B)																																																																																																																																																																																																																																																																																																																																																																																																																																																																																																																																																																														
<p>PROJECT DESCRIPTION</p> <p>The proposed project includes demo of the existing asphalt and concrete paved surfaces and prep for new concrete structural slab, concrete pavement, and repaired asphalt sections. A new bus shelter is proposed to be similar to a structure that was previously in the train station area.</p>																																																																																																																																																																																																																																																																																																																																																																																																																																																																																																																																																																															

**FAIRFAX PARKADE
BUS SHELTER**
Sir Francis Drake Blvd.
Fairfax, CA 94930

RD ARCHITECTURE
ARCHITECTURE, PLANNING, CONSTRUCTION MANAGEMENT

RD ARCHITECTURE
RICHARD DOWD
21 CREEK ROAD
FAIRFAX, CA 94930
C: 415.342.3474
rdowd@rdarch.com

STRUCTURAL ENGINEER
GREG MILLER, S.E.
433 CALLE DE LA MESA
NOVATO, CA 94949
415.382.1109

GENERAL CONTRACTOR
T.B.D.

Key Plan

Seal



No.	Description	Date
1	PERMIT SET	10.07.2019

No.	Description	Date

Project Code: _____ Filename: _____

Cover Sheet

SCALE: 1" = 1'-0"
Drawing Number

A0.0
BLDG. PERMIT SUBMITTAL

**FAIRFAX PARKADE
BUS SHELTER**
Sir Francis Drake Blvd.
Fairfax, CA 94930

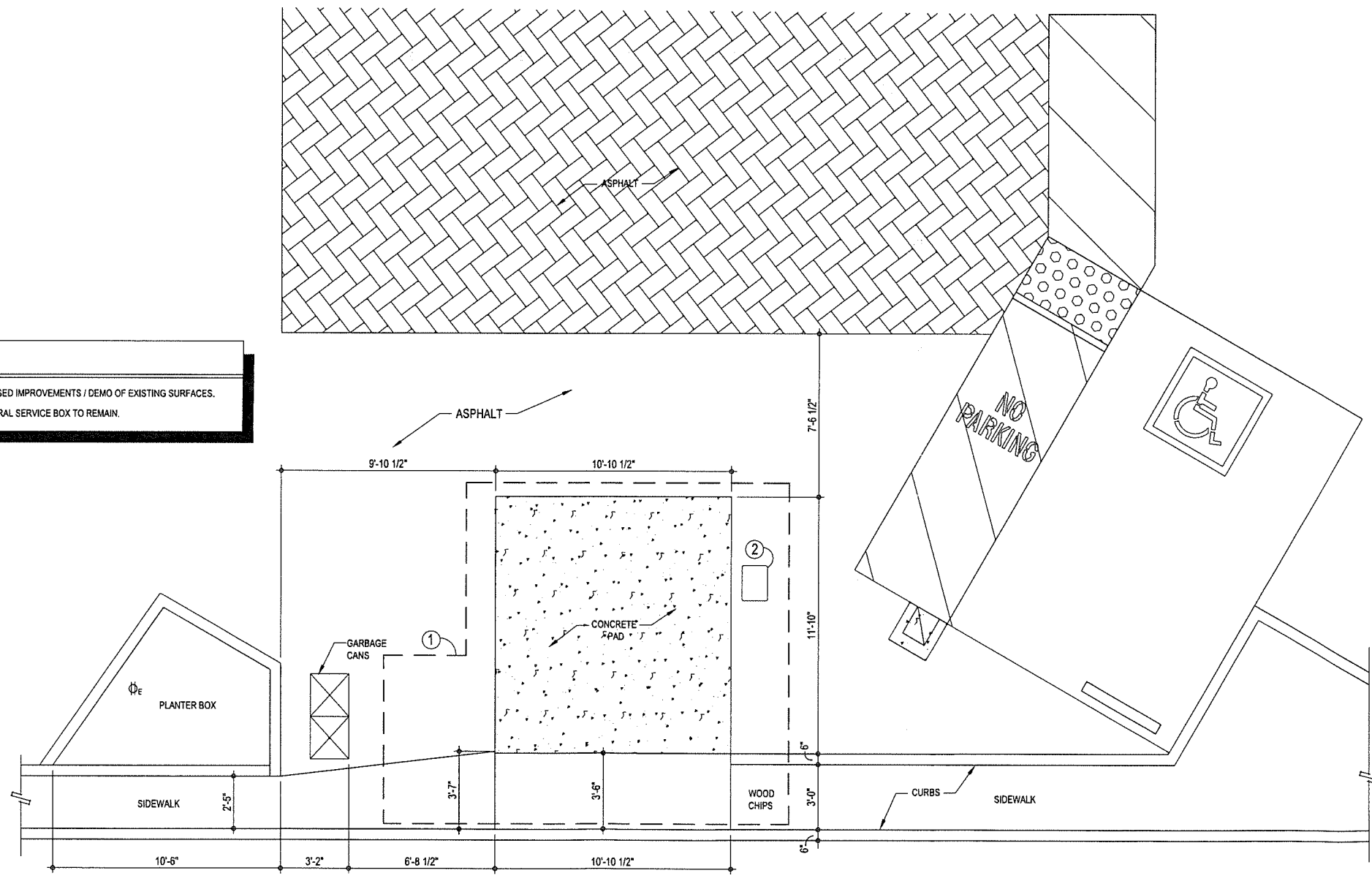
RD ARCHITECTURE

ARCHITECTURE, PLANNING, CONSTRUCTION MANAGEMENT
RD ARCHITECTURE
RICHARD DOWD
27 CREEK ROAD
FAIRFAX, CA 94930
C: 415.342.3474
RD@dowd.com
In association with:

STRUCTURAL ENGINEER
GREG MILLER, S.E.
433 CALLE DE LA MESA
NOVATO, CA 94949
415.382.1109

GENERAL CONTRACTOR
T.B.O.

- NOTES**
1. AREA OF PROPOSED IMPROVEMENTS / DEMO OF EXISTING SURFACES.
 2. EXISTING ELECTRICAL SERVICE BOX TO REMAIN.



1 AS-BUILT FLOOR PLAN / DEMO PLAN
SCALE: 3/8" = 1'-0"

Key Plan



Seal



Issued

No.	Description	Date
1	PERMIT SET	10.07.2019

Revision

No.	Description	Date
△		
△		

Project Code: Filename:

AS-BUILT FLOOR PLAN

SCALE: 3/8" = 1'-0"
Drawing Number:

A2.0
BLDG. PERMIT SUBMITTAL

**FAIRFAX PARKADE
BUS SHELTER**
Sir Francis Drake Blvd.
Fairfax, CA 94930

RD ARCHITECTURE
ARCHITECTURE, PLANNING, CONSTRUCTION MANAGEMENT

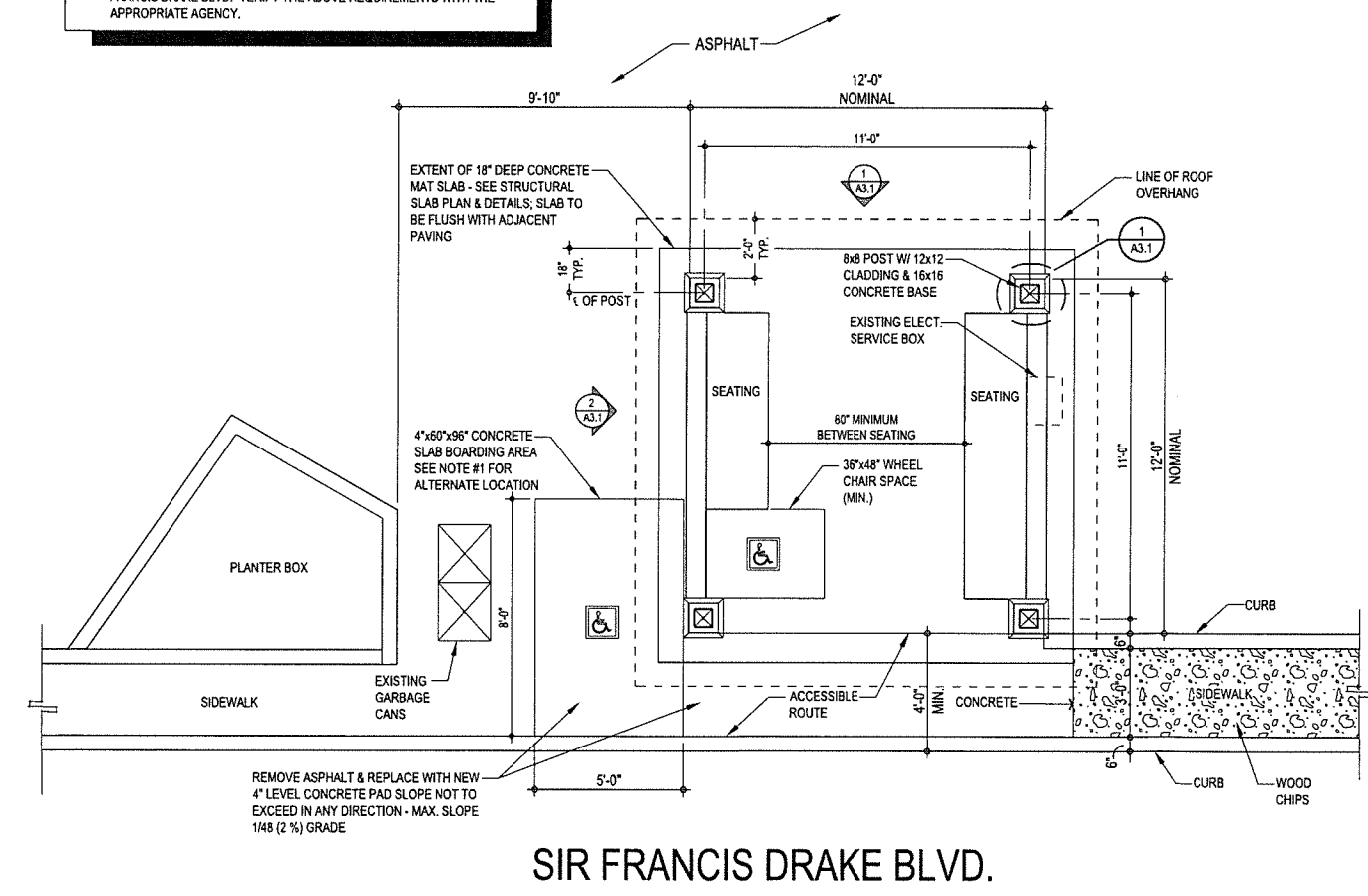
RD ARCHITECTURE
RICHARD DOWD
27 CREEK ROAD
FAIRFAX, CA 94930
C: 415.342.3474
rd@rdarch.com
In association with:

STRUCTURAL ENGINEER
GREG MILLER, S.E.
433 CALLE DE LA MESA
NOVATO, CA 94949
415.382.1109

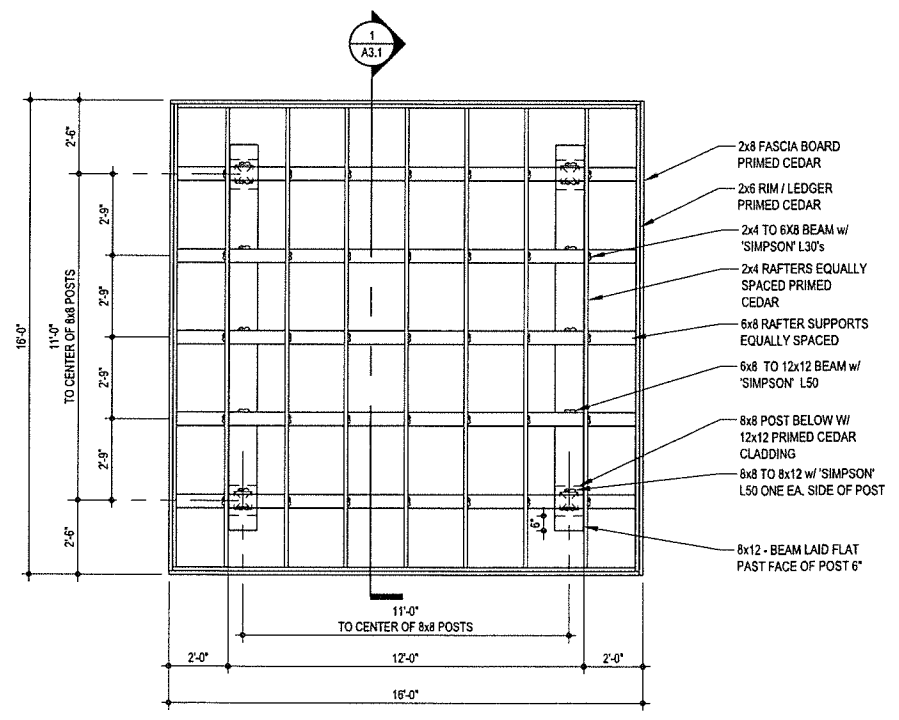
GENERAL CONTRACTOR
T.B.D.

NOTES

1. ALTERNATE LOCATION FOR ACCESSIBLE BOARDING AREA: THE BOARDING AND ALIGHTING CLEAR SPACE COULD BE LOCATED AT THE INTERIOR OF THE SHELTER. IF THE ALTERNATE LOCATION IS UTILIZED, THE SIDEWALK MAY NEED TO EXTEND WESTWARD IN ORDER TO ACCOMMODATE EXISTING FROM THE REAR DOOR OF A BUS. THIS MAY ALSO AFFECT THE LOCATION OF THE BUS STOP PERIMETER STREET MARKING ALONG SIR FRANCIS DRAKE BLVD. VERIFY THE ABOVE REQUIREMENTS WITH THE APPROPRIATE AGENCY.



1 PROPOSED PLAN
SCALE: 3/8" = 1'-0"



2 PROPOSED ROOF FRAMING PLAN
SCALE: 3/8" = 1'-0"

Key Plan

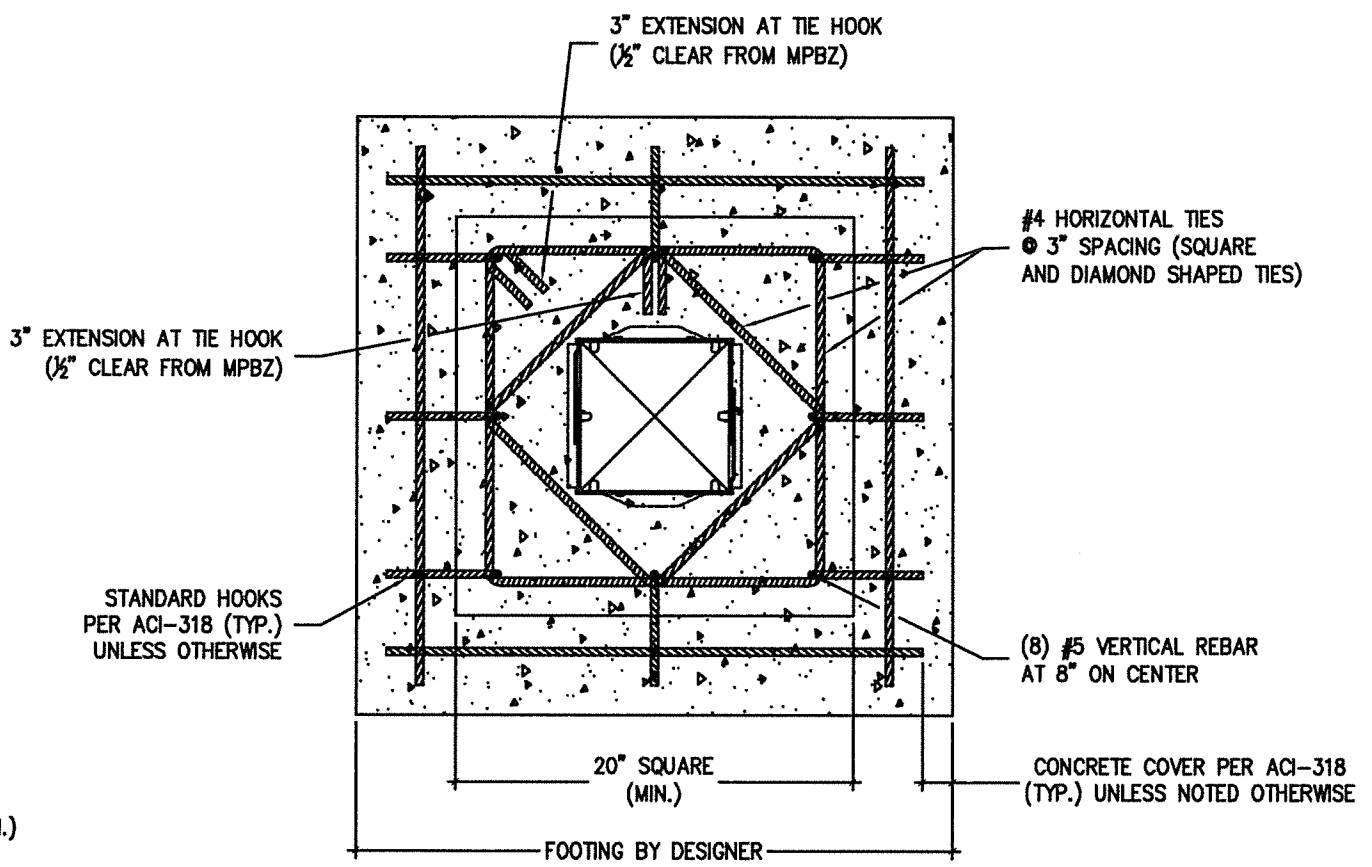
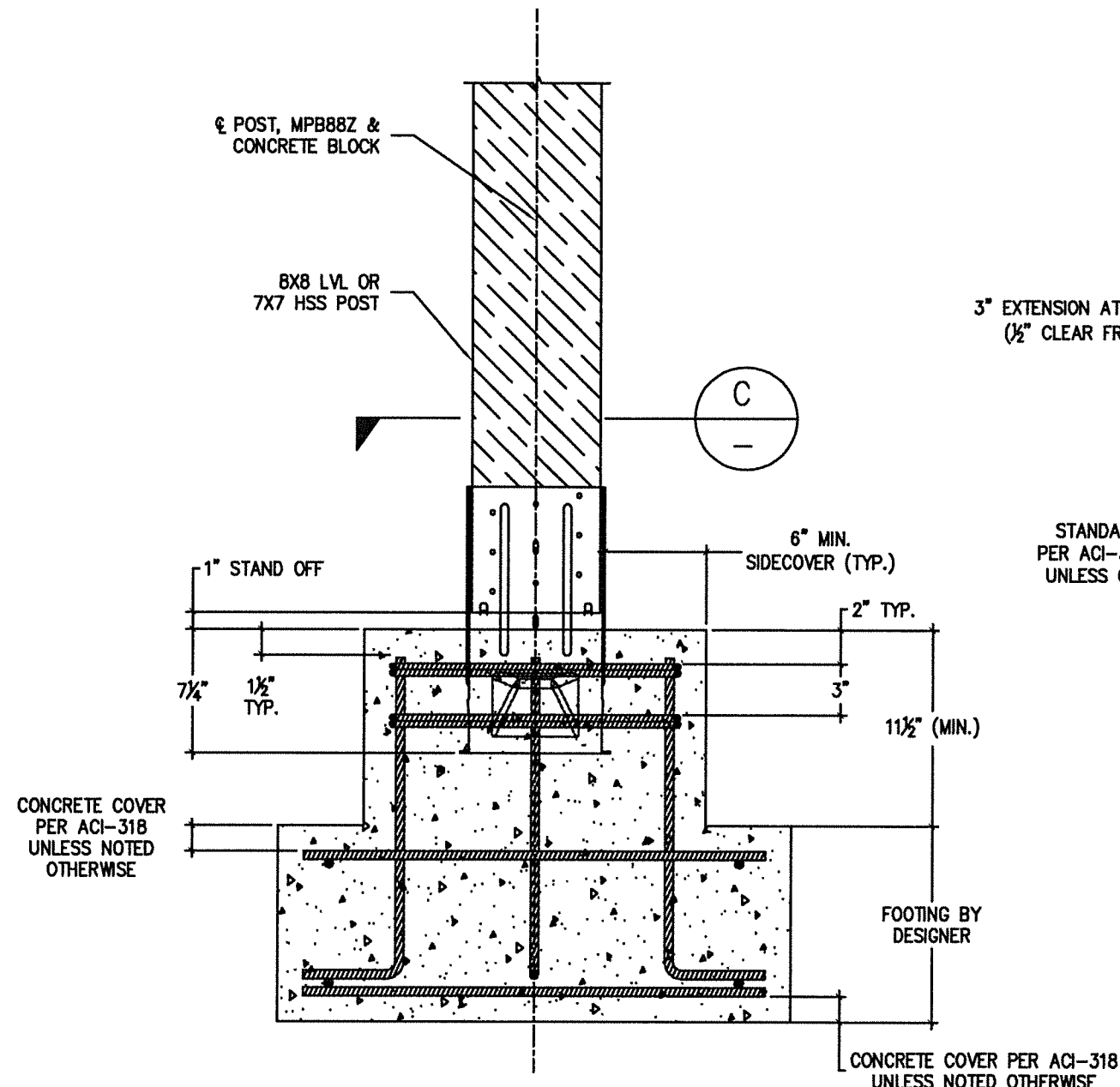


Issued		
No.	Description	Date
1	PERMIT SET	10.07.2019

Revision		
No.	Description	Date

Project Code: Filename: **PROPOSED PLAN**

SCALE: 1" = 1'-0"
Drawing Number **A2.1**
BLDG. PERMIT SUBMITTAL



MPB88Z – REINFORCED
CONCRETE FOOTING

FOTTING (SIZE AND REINFORCEMENT) BY DESIGNER.
STANDARD HOOK GEOMETRY IN ACCORDANCE WITH
ACI 318 UNLESS NOTED OTHERWISE.

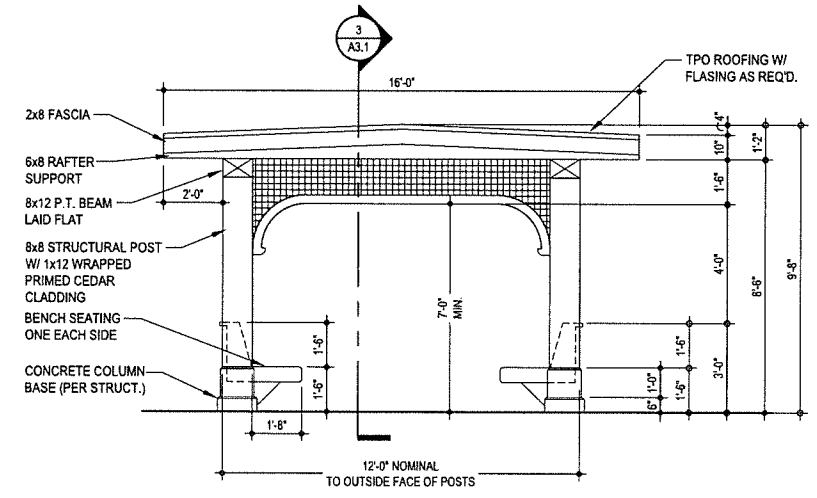
**FAIRFAX PARKADE
BUS SHELTER**
Sir Francis Drake Blvd.
Fairfax, CA 94930

RD ARCHITECTURE
ARCHITECTURE, PLANNING, CONSTRUCTION MANAGEMENT

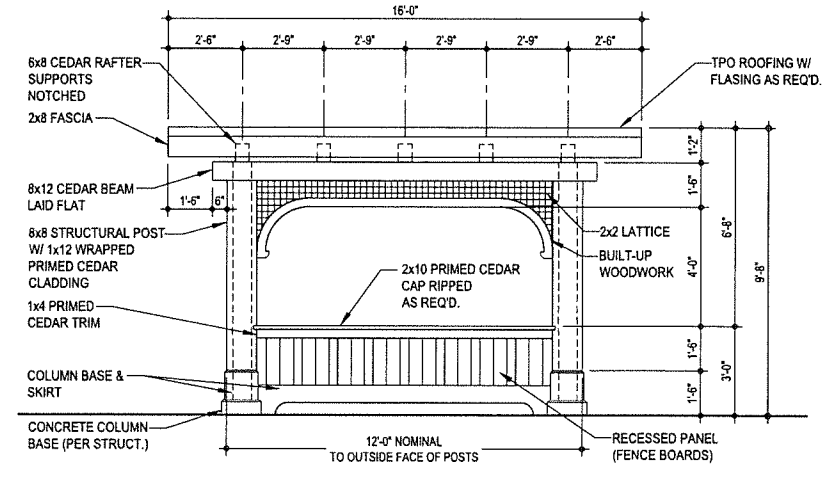
RD ARCHITECTURE
RICHARD DOWD
27 CREEK ROAD
FAIRFAX, CA 94930
C: 415.342.3474
rd@dowdarchitect.com

STRUCTURAL ENGINEER
GREG MILLER, S.E.
433 CALLE DE LA MESA
NOVATO, CA 94949
415.382.1109

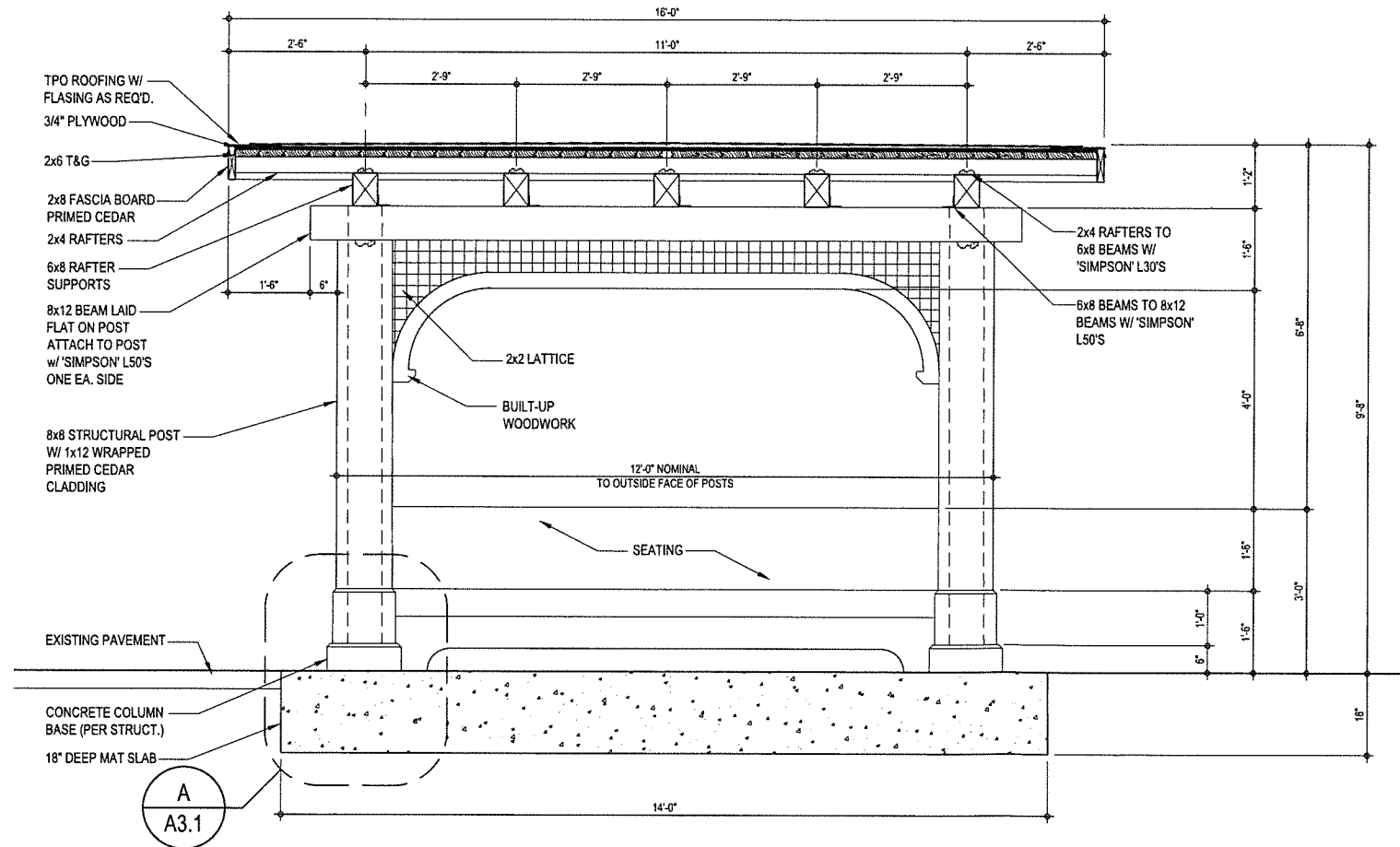
GENERAL CONTRACTOR
I.B.O.



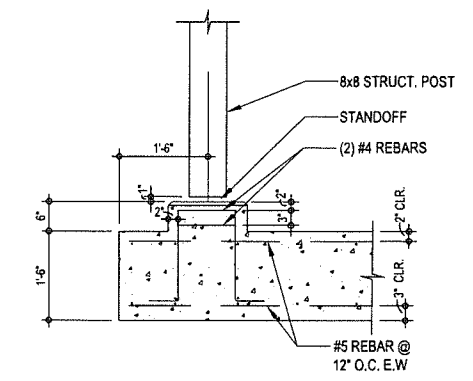
1 PROPOSED EAST / WEST ELEVATION
SCALE: 3/8" = 1'-0"



2 PROPOSED NORTH / SOUTH ELEVATION
SCALE: 3/8" = 1'-0"



3 SECTION
SCALE: 3/4" = 1'-0"



A FOUNDATION DETAIL
SCALE: 3/4" = 1'-0"

Key Plan

Seal



Issued	No.	Description	Date
	1	PERMIT SET	10.07.2019

Revision	No.	Description	Date

Project Code: _____ Filename: _____

Proposed Elevations / Section

SCALE: 1/4" = 1'-0"
Drawing Number

A3.1
BLDG. PERMIT SUBMITTAL