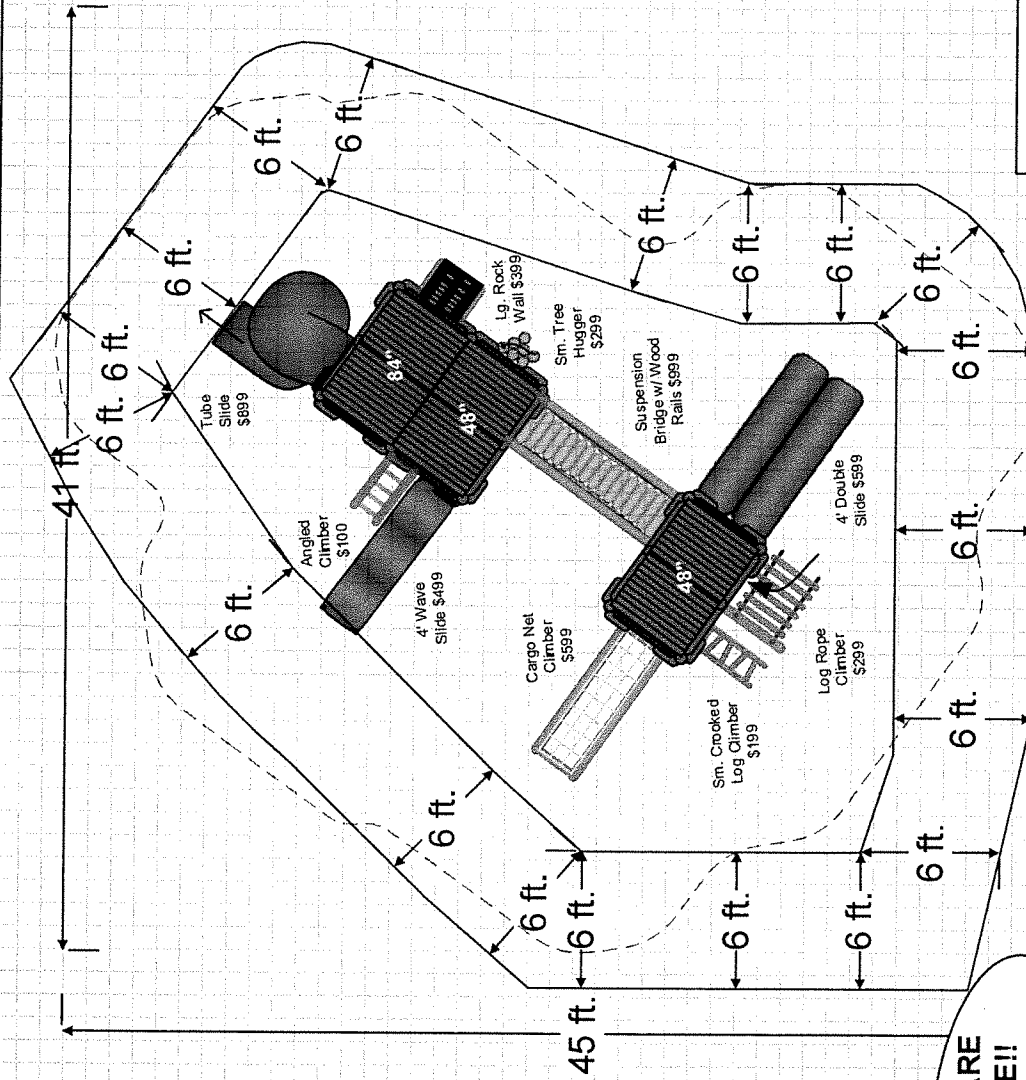


CPS Crow recommends a minimum of 6" of loose fill safety surfacing material be installed and maintained in the use zone for safety. Safety surfacing package is to be "by others" unless specially indicated for an optional extra charge at the time of order. Acceptance of this proposal means that you accept Bears Playgrounds terms and conditions as described on the web site [www.bearsplaygrounds.com](http://www.bearsplaygrounds.com). The Americans with Disabilities Act (ADA) may require that you make your park and / or playground accessible when viewed in its entirety. Please consult your legal counsel to determine if the ADA applies to you. For playground equipment to be considered accessible, accessible surfacing must be utilized in applicable areas. Although a particular playground design may not meet the proposed Access Board Regulations in regards to the appropriate number of ground level events, the actual playground may be in compliance when considering existing play components. Not all equipment may be appropriate for all children even when designed for a target age group. To avoid injury you should closely supervise and participate in the child's use of this equipment, especially while learning to use it. Proper supervision is required.



Ask about our safety surfacing package that can include wooden or rubber mulch with barrier fabric and a containment border.



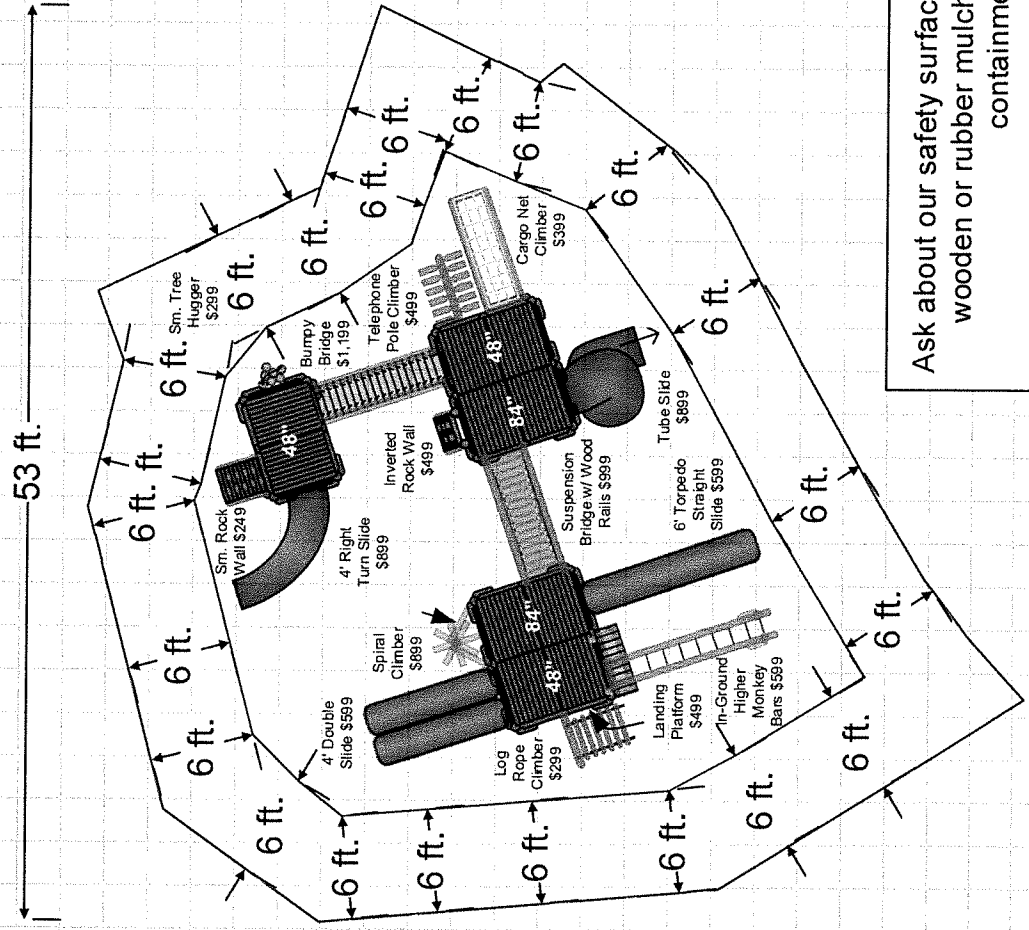
7577 E. Main St. Lima NY 14485  
 877-607-7529 (p) 585-624-7590 (f)  
 info@bearsplaygrounds.com

Peri Park  
 16 Park Rd,  
 Fairfax, CA 94930

Attn: Chris Borjian  
 christopherb488@gmail.com  
 415-717-2147

CPS Crow recommends a minimum of 9" of loose fill safety surfacing material be installed and maintained in the use zone for safety. Safety surfacing package is to be "by others" unless specially included for an optional extra charge at the time of order. Acceptance of this proposal means that you accept Bears Playgrounds terms and conditions as described on the website [www.bearsplaygrounds.com](http://www.bearsplaygrounds.com). The Americans with Disabilities Act (ADA) may require that you make your park and / or playground accessible when viewed in its entirety. Please consult your legal counsel to determine if the ADA applies to you. For playground equipment to be considered accessible, accessible surfacing must be utilized in applicable areas. Although a particular playground design may not meet the proposed Access Board Regulations in regards to the appropriate number of ground level events, the actual playground may be in compliance when considering existing play components. Not all equipment may be appropriate for all children, even when designed for a target age group. To avoid injury you should closely supervise and participate in the child's use of the equipment, especially while learning to use it. Proper supervision is required.

We will need to determine the actual available space.



ALL DESIGNS ARE CUSTOMIZABLE!!  
 Parts can be added, removed and shifted around.

Ask about our safety surfacing package that can include wooden or rubber mulch with barrier fabric and a containment border.

Designed by: Tyler Powell  
 Certified Playground Safety Inspector

2-8-2021 Drawing 6

Dreamin Big

BEST AGES 5-12