

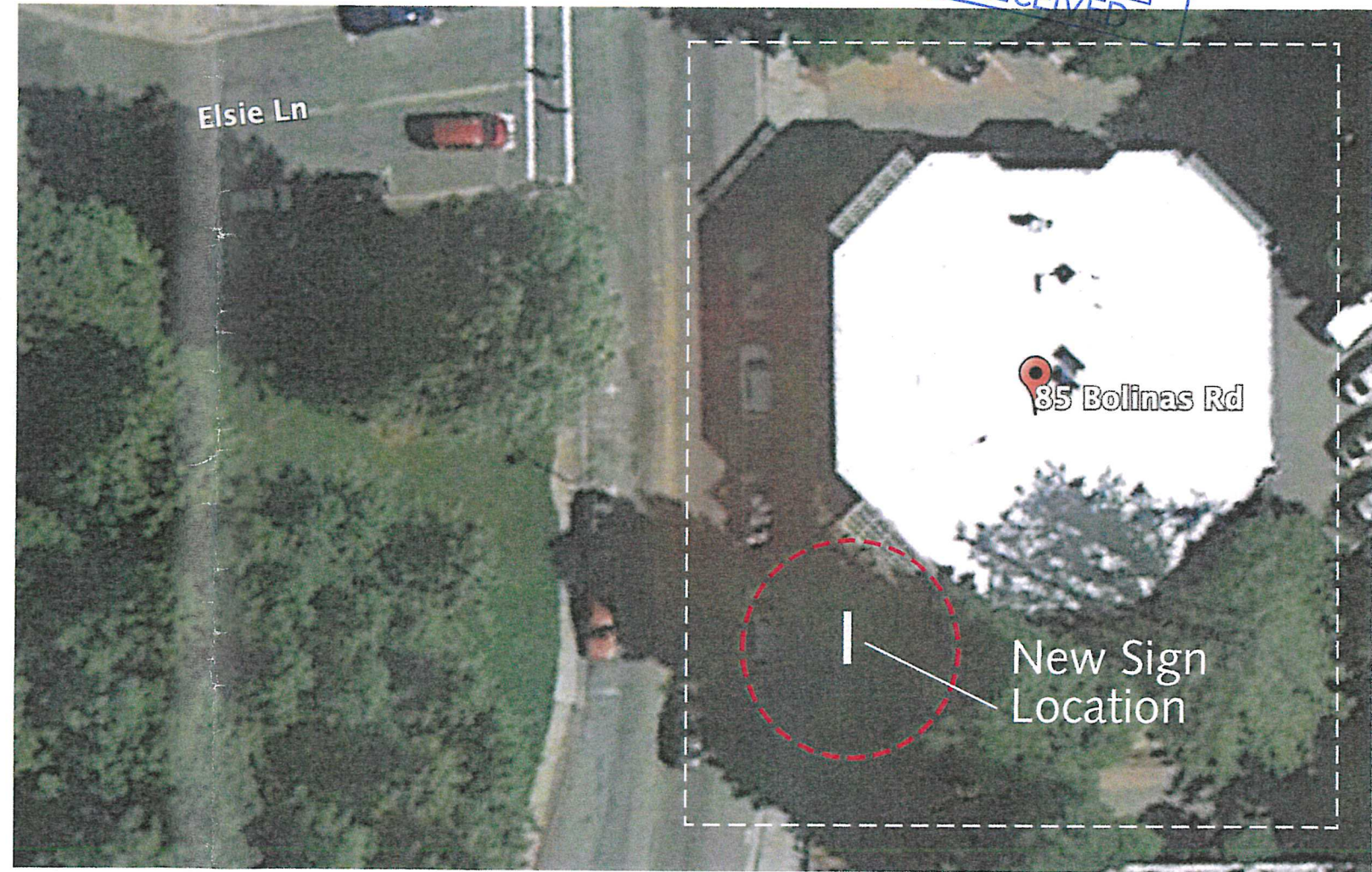
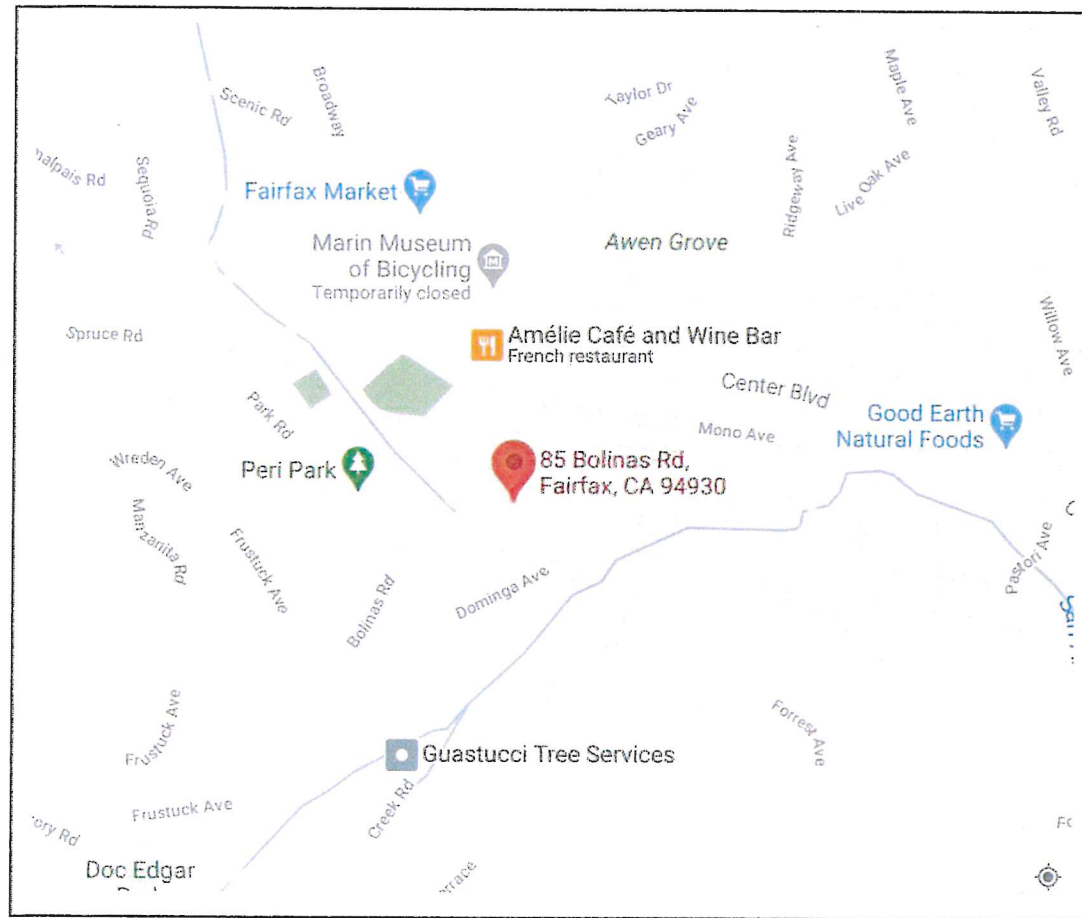
Fairfax Square 85 Bolinas Rd., Fairfax,
Freestanding Directory Sign

robert sanders & co.

environmental graphic design
fabrication • installation

707 326-5851
robsand@vom.com
robertsanders.com

Site Location Location



Fairfax Square

Freestanding Directory Sign

robert sanders & co.

environmental graphic design
fabrication • installation

707 326-5851
robsand@vom.com
robertsanders.com



Existing Sign Location

Proposed Sign Location



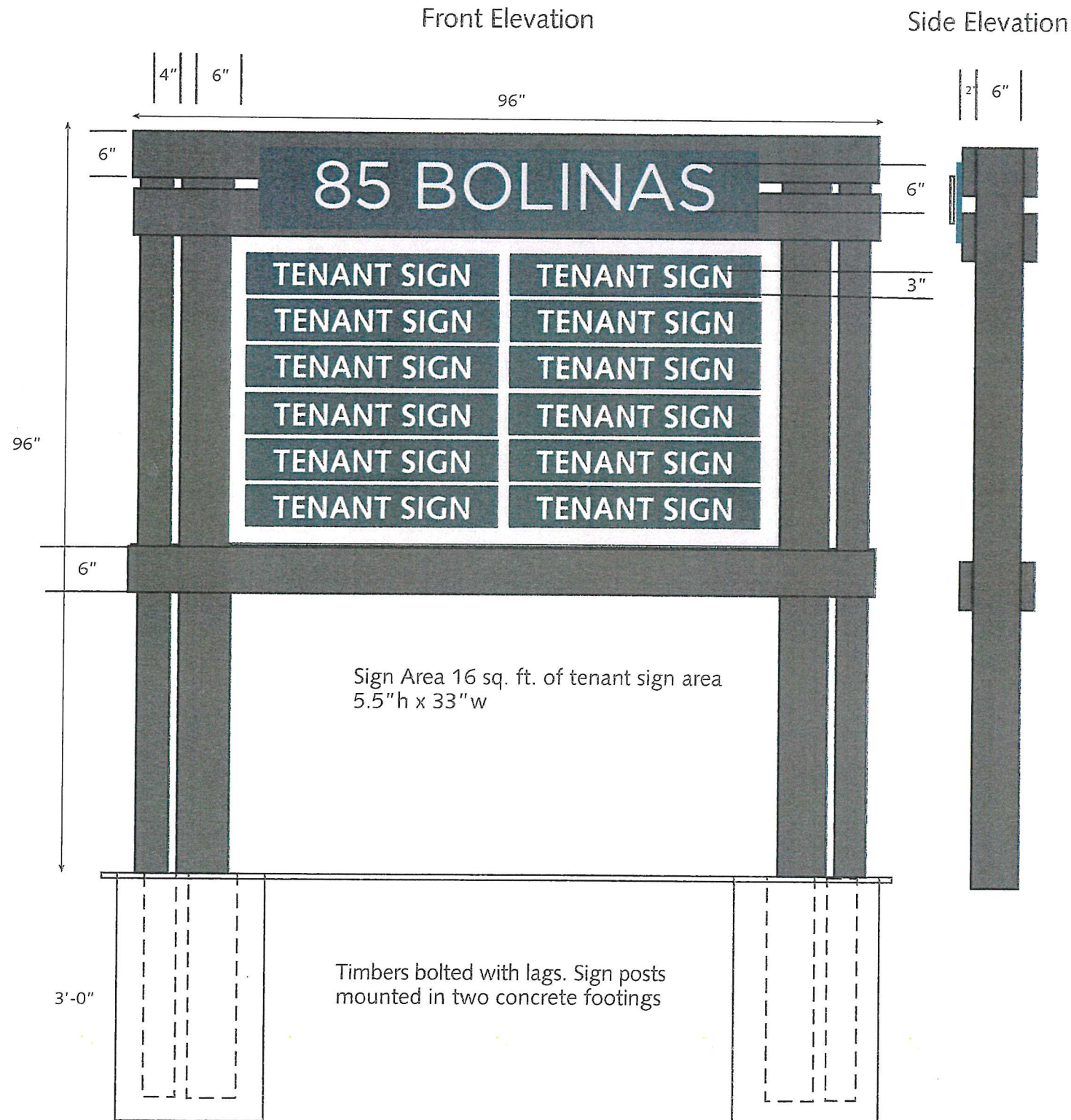
Existing Building Colors



Color Scheme to match building



Single-sided Freestanding Building Directory Sign



Custom freestanding single-faced directory sign made of heavy timber wood. Building address on top of sign/raised 1/2" thick metal letters pinned off background. Twelve changeable individual tenant directory name plaques. Color theme to match building. Timbers bolted with lags. Sign posts mounted in two concrete footings.



Sign located in front lanscape area behind existing fence posts, set back 2' from form P/L.

24 v spot light led. Electrical junction box for spotlights near sign area. Dedicated circuit 120v/20 amp with astrological timer. Signage connected to low voltage 12v transformer power supply installed in UL approved metal box.

DIMENSIONS:

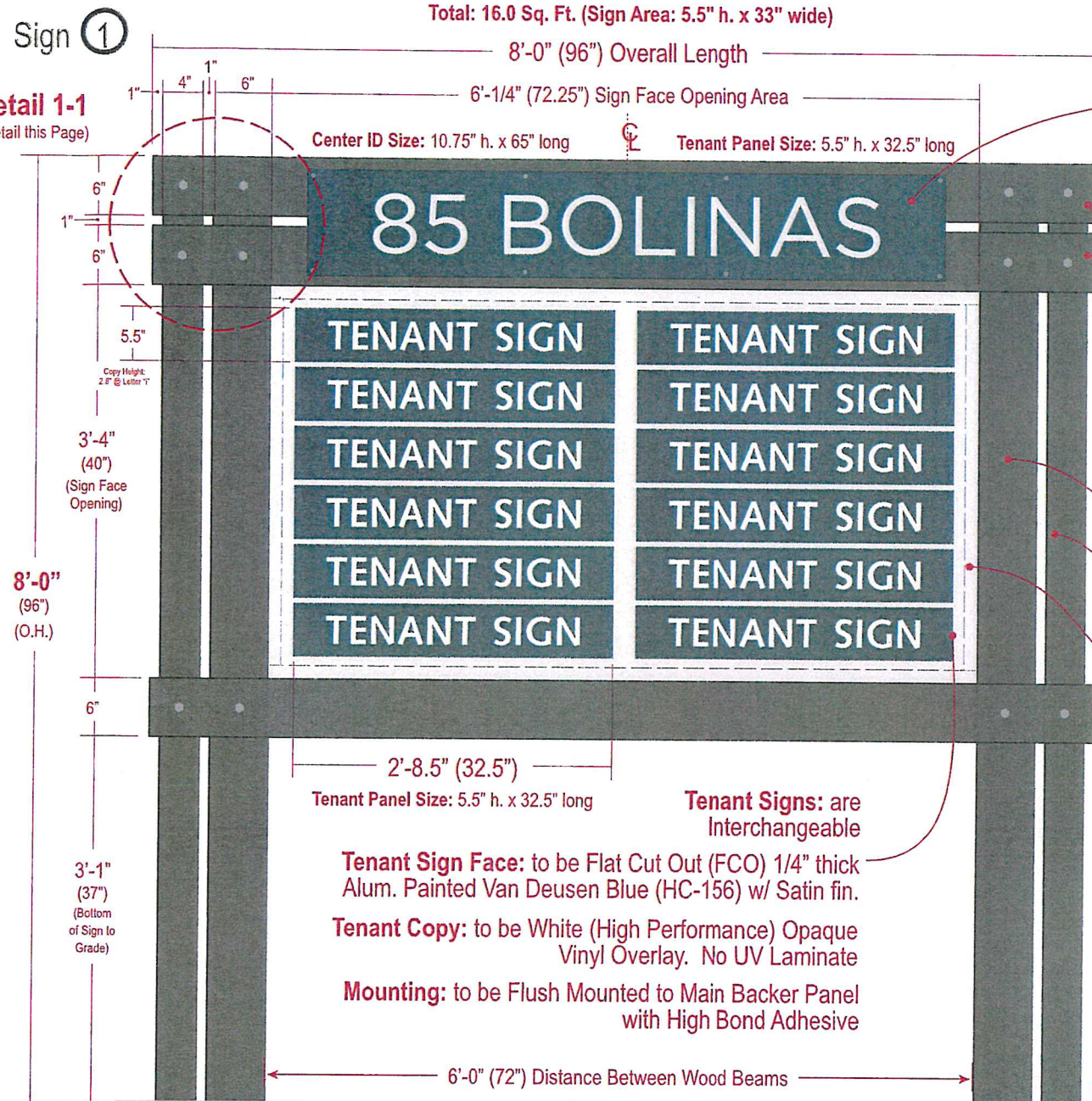
47/8" 122.2mm

35/8" 93.4mm

51/4" 133.4mm

61/2" 166.1mm

UL LISTED



Sign Specifications:

Center ID Sign Face: to be Flat Cut Out (FCO) 3/8" thk. Alum. Painted Van Deusen Blue (HC-156) w/ Satin fin.
Mounting: to be Flush Mounted to Top Wood Beams with Mechanical Fasteners, 1/8" dia. x 1/2" long All Thread with Adhesive Fill in Penetrations
Center ID Sign Panel Size: 10.75" h. x 65" long

Main, Top Horizontal Beam: Heavy Timber Wood. Size: 6" w. x 6" d. x 8'-0" (96") long to be Painted Brown with Matte finish

Mounting: to be Flush Mounted to Top Wood Beams with Mechanical Fasteners, 1/2" dia. x 12" long Metal Bolt, Washer & Nut
Tenant Panel Size: 5.5" h. x 32.5" long

Main, Vertical (Inside) Support: Heavy Timber Wood, Size: 6" w. x 6" d. x 10'-6" (126") long, to be Painted Brown with Matte finish

Main, Vertical (Outside) Support: Heavy Timber Wood, Size: 4" w. x 6" d. x 10'-6" (126") long, to be Painted Brown with Matte finish

Main Backer Support Panel: to be .080" thick Aluminum Painted Eggshell (C5200) 5280 with Satin finish

Mounting: to be Flush Mounted to Vertical Wood Beams with Mechanical Fasteners, 3/16" dia. x 1/2" long Metal Self-Tapping Screws

Opening Area with Main Backer Panel: 40" h. x 72.5" long

Tenant Signs: are Interchangeable

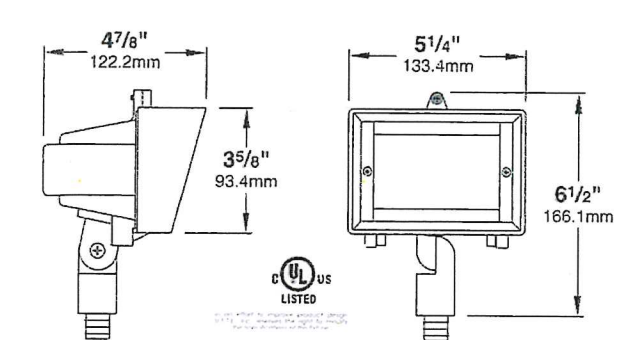
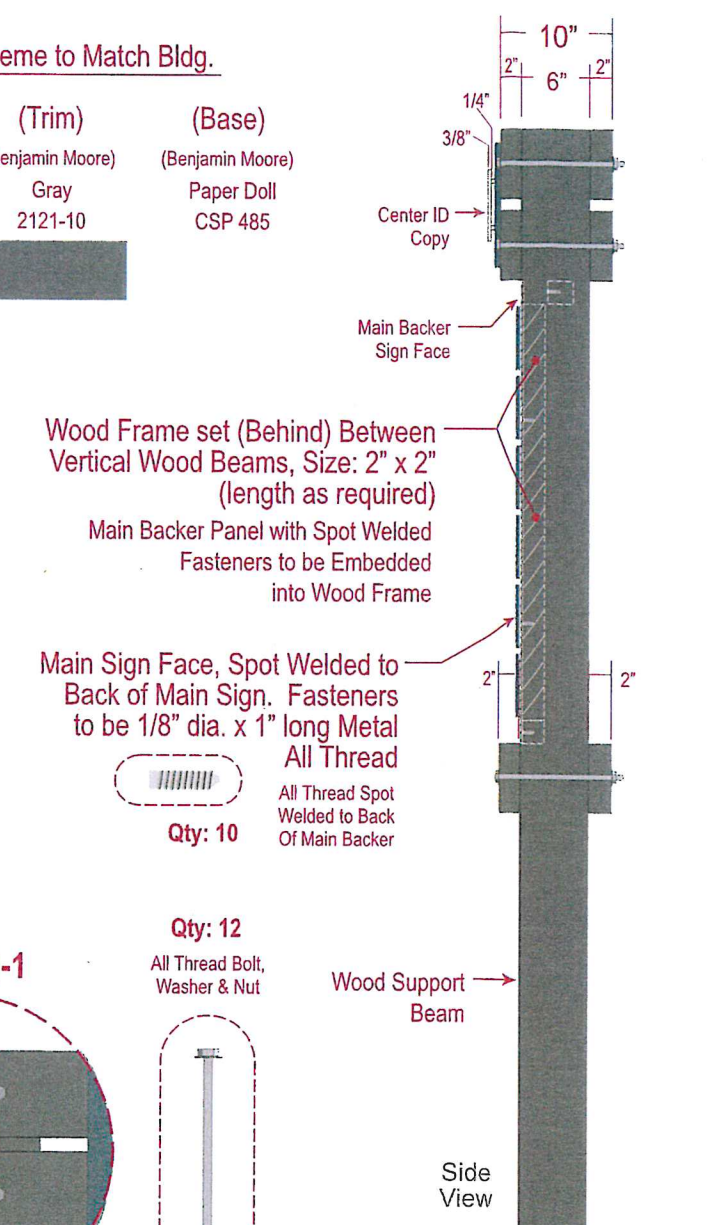
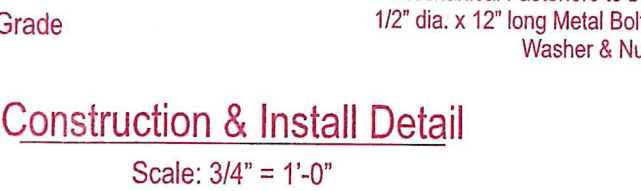
Tenant Sign Face: to be Flat Cut Out (FCO) 1/4" thick Alum. Painted Van Deusen Blue (HC-156) w/ Satin fin.

Tenant Copy: to be White (High Performance) Opaque Vinyl Overlay. No UV Laminate

Mounting: to be Flush Mounted to Main Backer Panel with High Bond Adhesive

Color Scheme to Match Bldg.

(Door)	(Trim)	(Base)
(Benjamin Moore) Van Deusen Blue HC-156	(Benjamin Moore) Gray 2121-10	(Benjamin Moore) Paper Doll CSP 485



(Light Fixtures Not Shown This Page)

Lighting Specifications:

Center ID Sign Face: to be 24 Volt, Spotlight LED, Electrical Junction Box for Spotlights near Sign Area.

Dedicated Circuit to be 12 Volt / 20 Amps, with Astrological Timer. Signage Connected to Low-Voltage 12 Volt Transformer Power Supply Installed with UL Approved Metal Box