

APPLICATION FOR
INSTALLATION OF WOOD STOVE
(PELLET, COAL AND OTHER SOLID FUEL BURNING APPLIANCES)

Goshen

FEE: \$50.00

Location of work (*Street and Number*): _____

Installing: ___ Wood Stove ___ Pellet Stove ___ Coal Stove ___ OTHER (please describe) _____

Stove Manufacturer's Name or Trademark: _____ **Model name (or ID number):** _____

COPY OF MANUFACTURER'S SPECIFICATIONS TO BE ATTACHED

OWNER'S NAME: _____ **Phone #1:** _____ **Phone #2:** _____

OWNER'S MAILING ADDRESS: _____ **Zip:** _____

CONTRACTOR'S NAME: _____ **Phone #1:** _____ **Phone #2:** _____

CONTRACTOR'S MAILING ADDRESS: _____ **Zip:** _____

Photocopy of Mass. C. S. License and HIC registration must be included with each application

Construction Supervisor's License (CSL) #: _____ **Expiration Date:** _____

Home Improvement Contractor (HIC) registration #: _____ **Expiration Date:** _____

The undersigned certifies that the above statements are true to the best of his/her knowledge and belief, and that all work performed will comply with local zoning bylaws and the Massachusetts State Building Code. Signatures of an Owner AND Contractor below shall indicate that the Owner authorizes the Contractor to act as his/her agent in all matters concerning this permit.

REQUIRED - OWNER'S SIGNATURE _____ **Date** _____

CONTRACTOR'S SIGNATURE _____ **Date** _____

Complete Attached Wood Stove Application Checklist as applicable →

WOOD STOVE INSTALLATION CHECKLIST

Permit

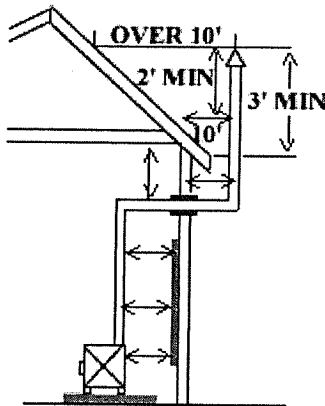
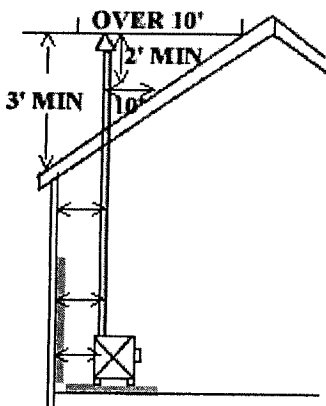
A building permit is required for the installation of any solid fuel burning appliance. The building permit and installation inspection are limited to the stove installation and not to the stove construction.

Stove

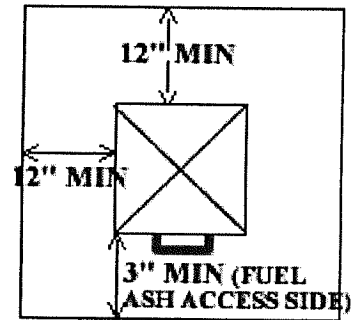
A. New _____ Used _____
 B. Type/radiant _____ Circulating _____
 C. Manufacturer _____ Lab. No. _____
 Name/Model No. _____ Collar size _____
 Dimensions/Height _____ Length _____ Width _____

Chimney

A. New _____ Existing _____
 B. Size (flue area) _____
 C. Other appliances attached to flue (Number and flue size) _____
 D. Prefab (Manufacturer's name and type) _____
 E. Masonry/Lined _____ Flue liner _____
 Unlined _____ (type & manufacturer) _____
 F. Height (refer to diagrams) _____ cap _____



CHIMNEY HEIGHT



HEARTH

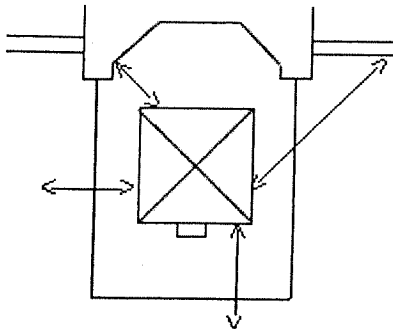
Hearth (non-combustible)

A. Materials _____
 B. Sub-floor construction _____
 C. Minimum dimensions (refer to diagram) _____

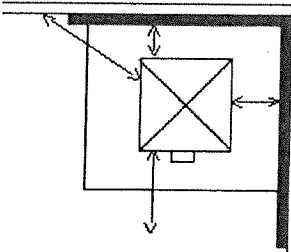
Clearances and Wall Protection (see stove installation clearances chart)

A. Type of wall protection provided _____

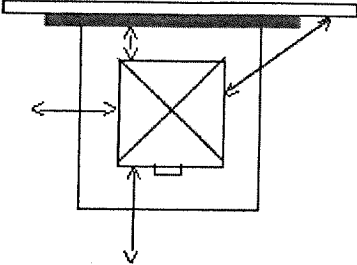
B. Clearances (refer to diagrams) _____



FIREPLACE



CORNER



WALL/CENTER

* OTHER:

**Wood Stove Installation
Massachusetts Building Code Requirements**

The installation of any wood burning stove and chimney must conform to these provisions of the Massachusetts State Building Code or manufacturer's recommended procedures (as required by the lab-tested requirements).

1. **PERMIT:** A permit must be secured prior to installation of a wood burning stove. The application for the permit shall be accompanied by a list of components to be assembled and a diagrammatic sketch of the planned installation. (Code 113.5).
2. **LABEL:** Every new wood burning stove to be installed in Massachusetts must be labeled as having been tested (see standards) by a laboratory accredited by the State Building Code Commission. (Code 2109.8).
3. **CHIMNEY (General):** Every wood burning stove shall be connected to either an existing chimney or a new chimney. All chimneys shall be secured at each floor level or at least every 10'-0" and adequately supported. All spaces between chimneys, floors, and ceilings shall be firestopped to a depth of two (2") inches. (Code 2109.1, 2108.2).
 - a. **FLUE:** The flue area shall not be smaller than the areas shown in Table 2108.3.2.7. (Code 2108.2.2, 1001.3).
 - b. **MULTIPLE FLUE CONNECTIONS:** A solid fuel burning heating appliance may be vented into a common flue of a masonry chimney with a liquid fuel burning device provided that:
 - i. The flue does not also vent a working fireplace.
 - ii. The solid fuel burning appliance's connector, if separate, shall enter at a minimum of six (6) inches below the liquid fueled appliance's connector pipe.
 - iii. All appliances shall be approved by the appropriate state agencies.
 - iv. The flue shall be of sufficient size to serve all the units connected to it if operated simultaneously (see Table 2108.3.2.7).
 Note: While the Building Code does allow for this, it is not a highly recommended practice.

DEFAULT MEASUREMENTS : ABSENT MANUFACTURERS SPECIFICATIONS

Stove Components	Combustible Material	Asbestos Millboard Spaced Out 1" 2.	Concrete/Masonry Foundation Wall	Spaced Out 1" 4" Brick Veneer
Radiant Stove 1. -Front	36"	-	-	-
Circulating Stove 1. -Front	24"	-	-	-
A.Radiant Stove 3. -Side/Back/Top	36"	18"	6"	18"
A.Circulating Stove -Side/Back/Top	12"	6"	6"	6"
B.Single Wall Connector Pipe	18"	12"	6"	8"
B.Insulated Connector Pipe	2"	2"	2"	2"
C.Chimney Height (Metal or Masonry)	Three (3) feet above adjacent roof and two (2) feet above any roof ridge within 10 feet			
D.Damper	If a damper is not included in the stove construction, it must be installed in the connector pipe			

1. Front: Fuel or ash access side.
2. Non-combustible spacers required.
3. Clearances on each side of a radiant stove with a heat shield shall be measured as if a circulating type.
Note: Clearances shall be measured perpendicular to stove body.
Laboratory verified test clearances permitted.