

CONSTRUCTION PLANS FOR INGRAM ROAD SADDLEBROOK ESTATES PHASE II CITY OF LUCAS COLLIN COUNTY, TEXAS

DEVELOPER:

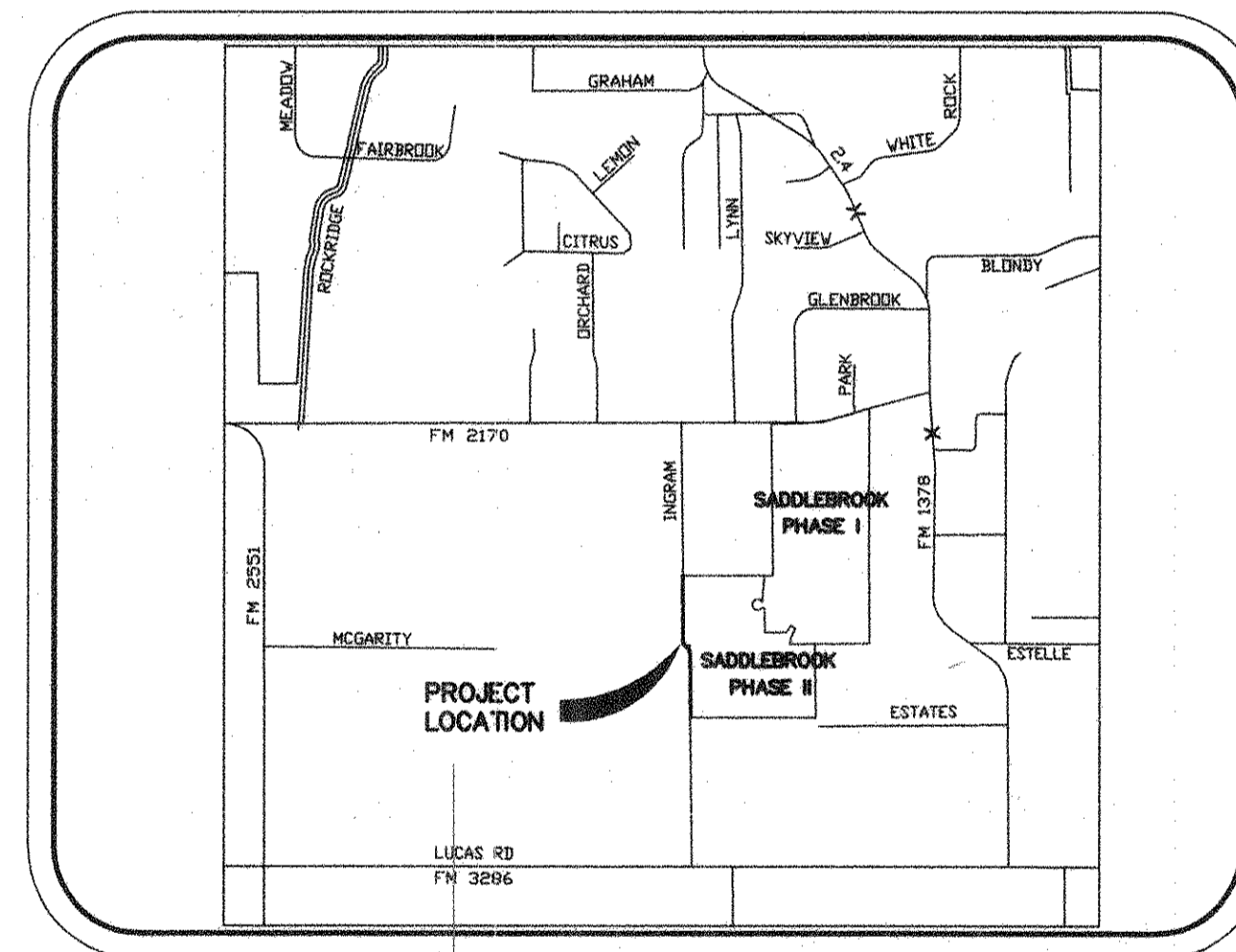
SADDLEBROOK ESTATES, LTD
TWO TURTLE CREEK
3838 OAK LAWN AVE., SUITE 1212
DALLAS, TEXAS 75219
(214) 522-4945

OWNER:

SADDLEBROOK ESTATES, LTD.
TWO TURTLE CREEK
3838 OAK LAWN AVE., SUITE 1212
DALLAS, TEXAS 75219
(214) 522-4945

ENGINEER:

JONES & BOYD, INC.
17090 DALLAS PARKWAY, SUITE 200
DALLAS, TEXAS 75248
(972) 248-7676



LOCATION MAP

NOT TO SCALE

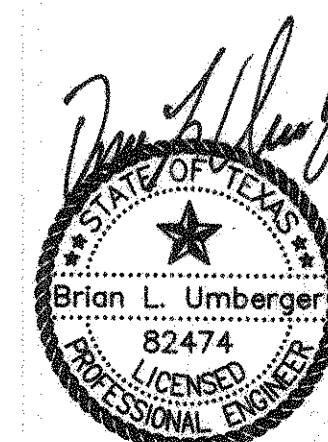
GENERAL NOTES:

1. ALL MATERIALS AND INSTALLATION SHALL BE IN ACCORDANCE WITH STANDARD SPECIFICATIONS FOR PUBLIC WORKS CONSTRUCTION FOR NORTH CENTRAL TEXAS PUBLISHED BY NCTCOG WITH CITY OF LUCAS REVISIONS. THESE SPECIFICATIONS SHALL BE MADE PART OF THESE PLANS. ALL WORK SHALL BE INSPECTED BY THE CITY OF LUCAS PUBLIC WORKS INSPECTORS.
2. CONTRACTOR SHALL NOTIFY CITY OF LUCAS PUBLIC WORKS DEPARTMENT PRIOR TO BEGINNING ANY WORK WITHIN CITY OF LUCAS EASEMENT AREAS.
3. EXISTING UTILITIES SHOWN ON THESE PLANS WERE TAKEN FROM EXISTING RECORDS. CONTRACTOR SHALL FIELD VERIFY LOCATION AND DEPTH OF ALL EXISTING UTILITIES PRIOR TO ANY CONSTRUCTION.
4. CONTRACTOR SHALL VERIFY ALL TIE IN ELEVATIONS SHOWN ON THE PLANS.

INDEX

SHEET NO.	DESCRIPTION
1-2	PAVING PLAN & PROFILES
3-6	PAVING SECTIONS
7	DRAINAGE AREA MAP
8	TRAFFIC CONTROL PLAN - TO BE PROVIDED BY CONTRACTOR
9	STRIPING & SIGNAGE PLAN
10	CONSTRUCTION SEQUENCING PLAN
11-12	TxDOT STANDARD DETAILS

RECORD DRAWINGS
THESE RECORD DRAWINGS HAVE BEEN PREPARED BY JONES & BOYD, INC. IN ACCORDANCE WITH THE REQUIREMENTS OF THE TEXAS PROFESSIONAL ENGINEERING ACT. UNLESS OTHERWISE NOTICED ON THESE DRAWINGS, THE INFORMATION CONTAINED HEREIN IS THE PROPERTY OF JONES & BOYD, INC. AND SHALL NOT BE REPRODUCED OR TRANSMITTED IN ANY FORM OR BY ANY MEANS, ELECTRONIC OR MECHANICAL, INCLUDING PHOTOCOPYING, RECORDING, OR BY ANY INFORMATION STORAGE AND RETRIEVAL SYSTEM, WITHOUT THE WRITTEN PERMISSION OF JONES & BOYD, INC.
BY: *[Signature]*
DATE: 9/15/05



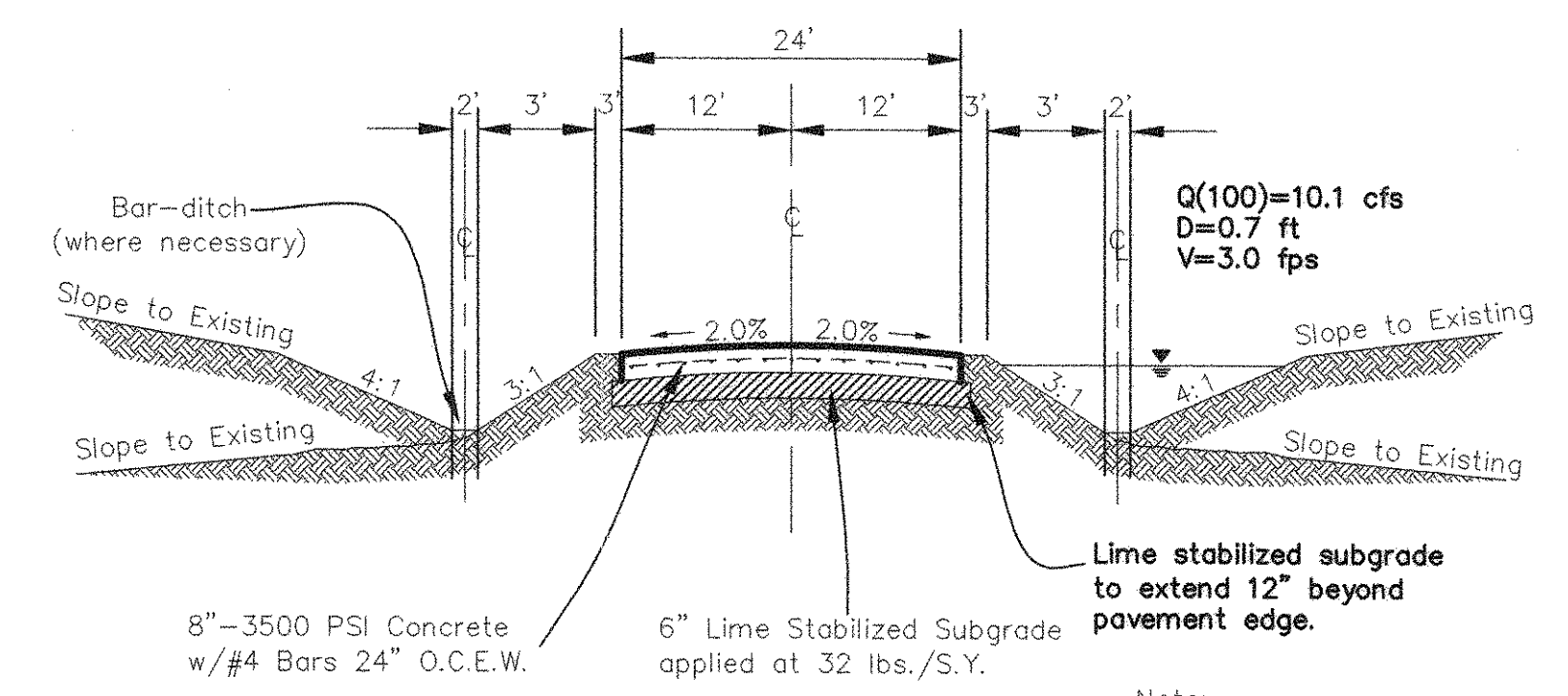
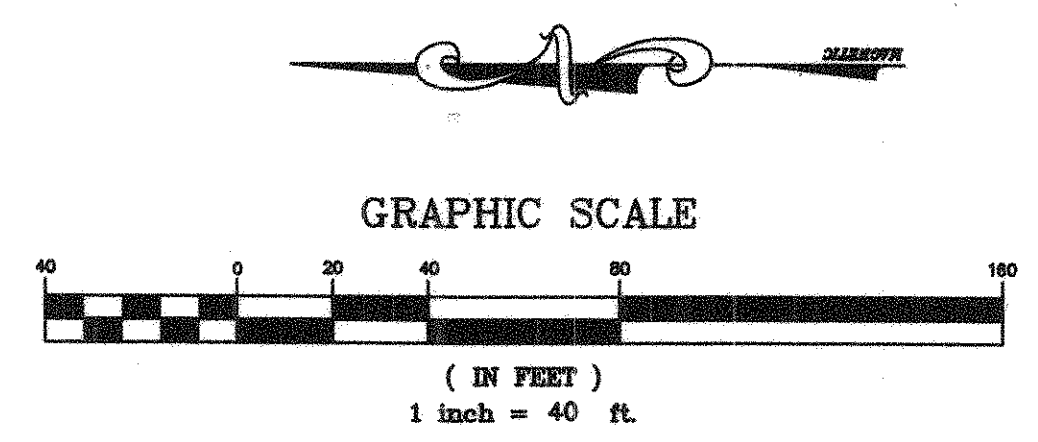
The seal appearing on this document was authorized by Brian L. Umberger, P.E. 82474. Alteration of a sealed document without proper notification to the responsible engineer is an offense under the Texas Engineering Practice Act.

WARNING!!!
 EX. OVERHEAD & UNDERGROUND UTILITIES WITHIN THE LIMITS OF CONSTRUCTION. CONTACT DIG-TESS 48 HRS. PRIOR TO ANY CONSTRUCTION.

CONSTRUCT 114 SY. 8" HMAc PVMt.
 1+44.5 END ASPHALT TRANSITION BEGIN 8" CONCRETE PAVEMENT & CONST. STD. STREET HEADER EP LT. & RT. 639.72

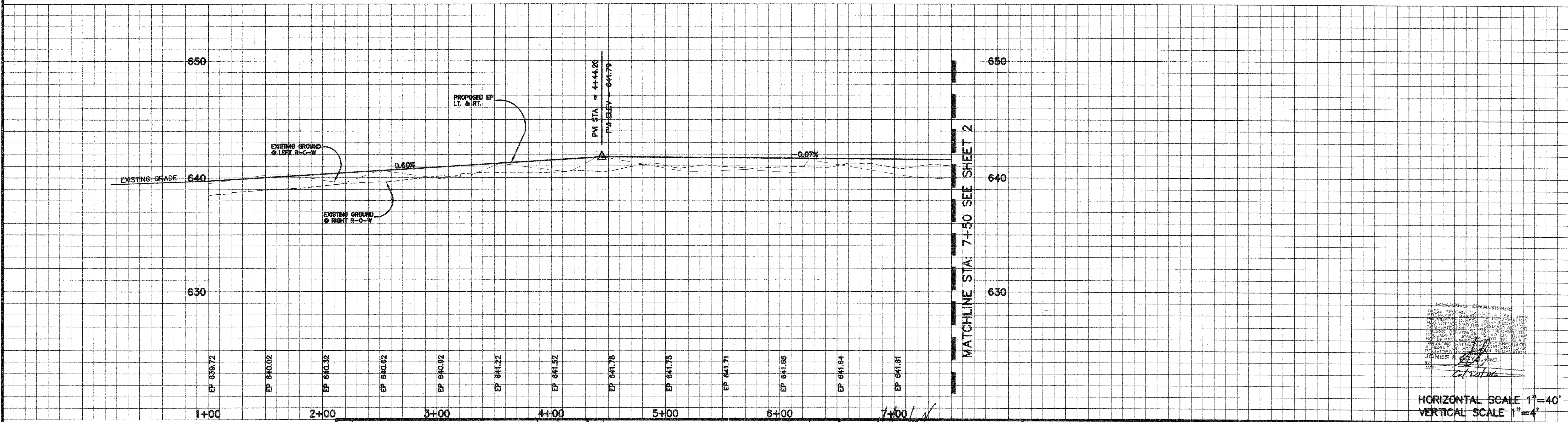
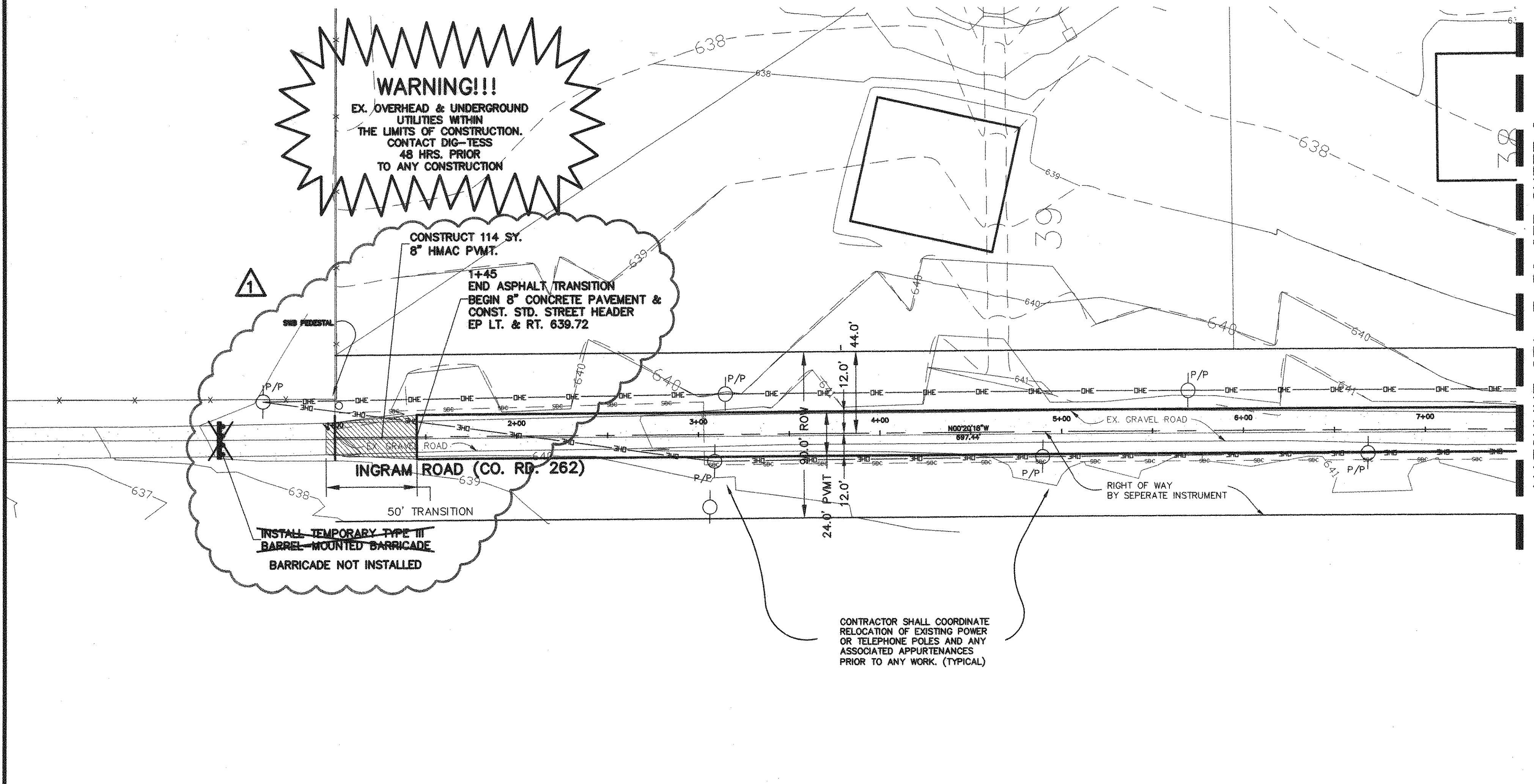
INSTALL TEMPORARY TYPE III BARREL-MOUNTED BARRICADE BARRICADE NOT INSTALLED

CONTRACTOR SHALL COORDINATE RELOCATION OF EXISTING POWER OR TELEPHONE POLES AND ANY ASSOCIATED APPURTENANCES PRIOR TO ANY WORK. (TYPICAL)



Typical Pavement Section (24' Width)
 N.T.S.

CONTRACTOR TO FIELD VERIFY LOCATION OF ALL EXISTING UTILITIES AND NOTIFY ENGINEER OF ANY DISCREPANCIES.



- BENCHMARKS:
 1. "□" 1/2" IR, W of Ingram Rd. +- 1025' N of N edge of Lucas Rd. +- 6' E of fence. Elev. 637.08
 2. "□" 1/2" IR, E of Ingram Rd. +- 2650' N of N edge of Lucas Rd. +- 28' E & 37' N of fence corner.

NO.	REVISIONS DURING CONSTRUCTION	BY	DATE	NO.	REVISIONS DURING PLAN REVIEW	BY	DATE
1	MOVED ASPHALT TRANSITION & BEGINNING OF CONCRETE PAVEMENT PER AS-BUILTS	SPW	06/19/06				

6-20-06
 The seal appearing on this document was authorized by Brian L. Umberger, P.E. B2474. Alteration of a sealed document without proper notification to the responsible engineer is an offense under the Texas Engineering Practice Act.

Jones & Boyd, Inc.
 17090 Dallas Parkway, Suite 200
 Dallas, Texas 75248
 972.248.7676 office
 972.248.1414 fax
 www.jones-boyd.com

- Engineering
- Surveying
- Planning
- Landscape Architecture
- Construction Management

PAVING PLAN & PROFILE
 INGRAM ROAD
 SADDLEBROOK ESTATES, PHASE II
 City of Lucas, Collin County, Texas

PROJECT NO. SK420
 SHEET NO. 1

ALL RIGHTS RESERVED. THESE RECORDS OR EQUIPMENTS HAVE BEEN PREPARED BY JONES & BOYD, INC. AND ARE NOT TO BE REPRODUCED OR TRANSMITTED IN ANY FORM OR BY ANY MEANS, ELECTRONIC OR MECHANICAL, INCLUDING PHOTOCOPYING, RECORDING, OR BY ANY INFORMATION STORAGE AND RETRIEVAL SYSTEM, WITHOUT THE WRITTEN PERMISSION OF JONES & BOYD, INC. A RESULT OF BREACH OF CONTRACT AS PROVIDED IN THE CONTRACT DOCUMENTS.
 JONES & BOYD, INC.
 DATE: 6/20/06

HORIZONTAL SCALE 1"=40'
 VERTICAL SCALE 1"=4'

GRAPHIC SCALE



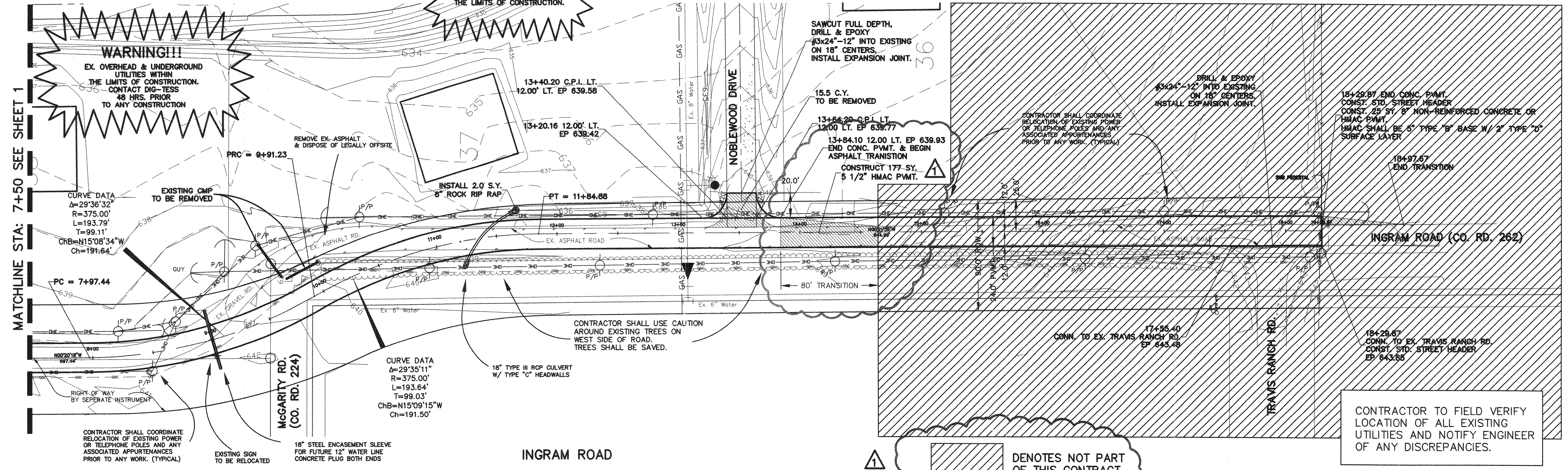
(IN FEET)
1 inch = 40 ft.

NOBLEWOOD DRIVE SEE SADDLEBROOK ESTATES, PHASE II

WARNING!!!
EX. GAS LINE WITHIN
THE LIMITS OF CONSTRUCTION.

WARNING!!!
EX. OVERHEAD & UNDERGROUND
UTILITIES WITHIN
THE LIMITS OF CONSTRUCTION.
CONTACT DIG-TESS
48 HRS. PRIOR
TO ANY CONSTRUCTION

MATCHLINE STA: 7+50 SEE SHEET 1



CONTRACTOR TO FIELD VERIFY
LOCATION OF ALL EXISTING
UTILITIES AND NOTIFY ENGINEER
OF ANY DISCREPANCIES.

▲ DENOTES NOT PART
OF THIS CONTRACT

MATCHLINE STA: 7+50 SEE SHEET 1



HORIZONTAL SCALE 1"=40'
VERTICAL SCALE 1"=4'

- BENCHMARKS:**
1. "□" 1/2" IR, W of Ingram Rd. +- 1025' N of N edge of Lucas Rd.
+- 6' E of fence.
Elev. 637.08
 2. "□" 1/2" IR, E of Ingram Rd. +- 2650' N of N edge of Lucas Rd.
+- 28' E & 37' N of fence corner.

NO.	REVISIONS DURING CONSTRUCTION	BY	DATE	NO.	REVISIONS DURING PLAN REVIEW	BY	DATE
1	ADDED ASPHALT TRANSITION & SHORTEN PROP. INGRAM ROAD CONSTRUCTION PER AS-BUILTS	SPW	06/19/06				

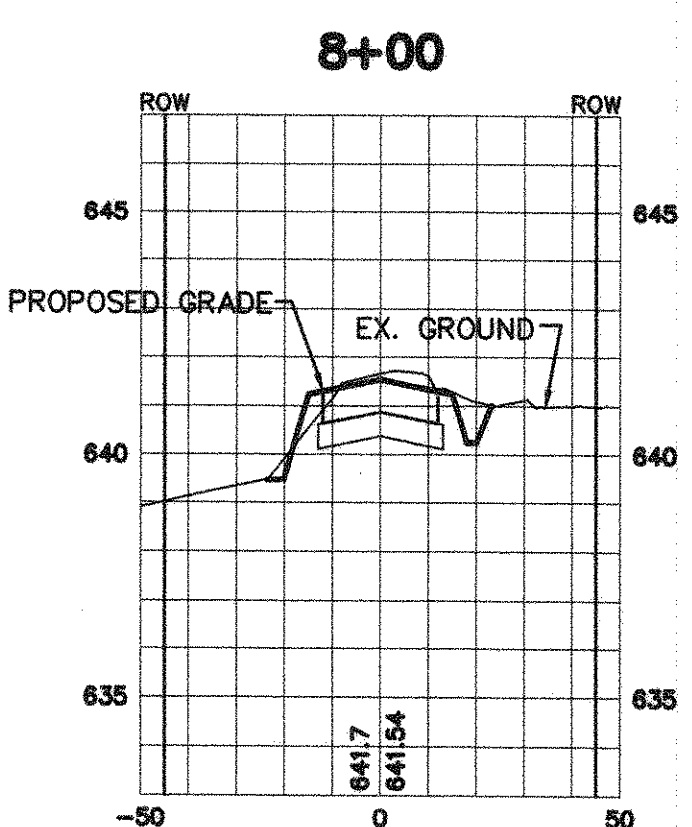
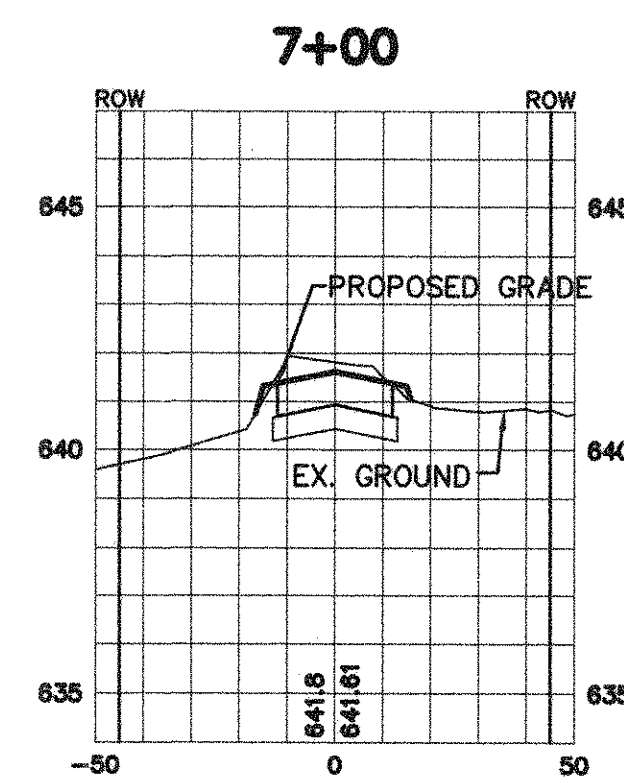
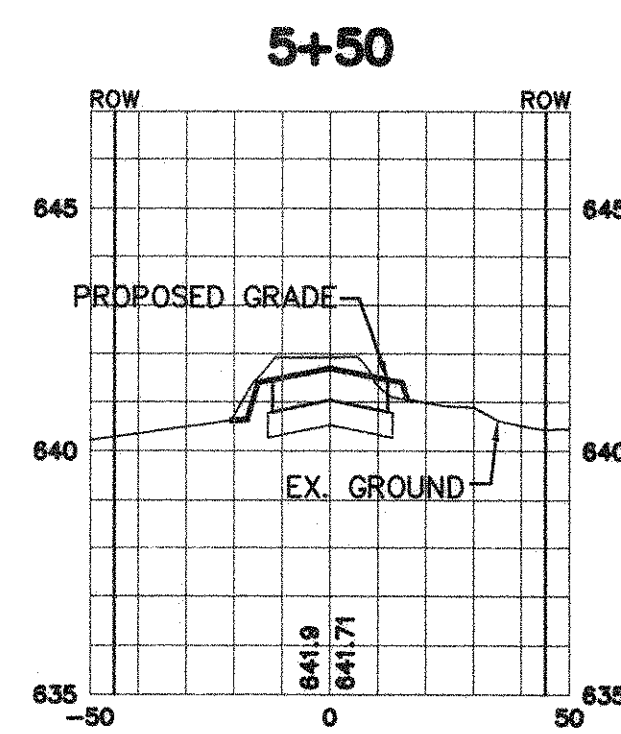
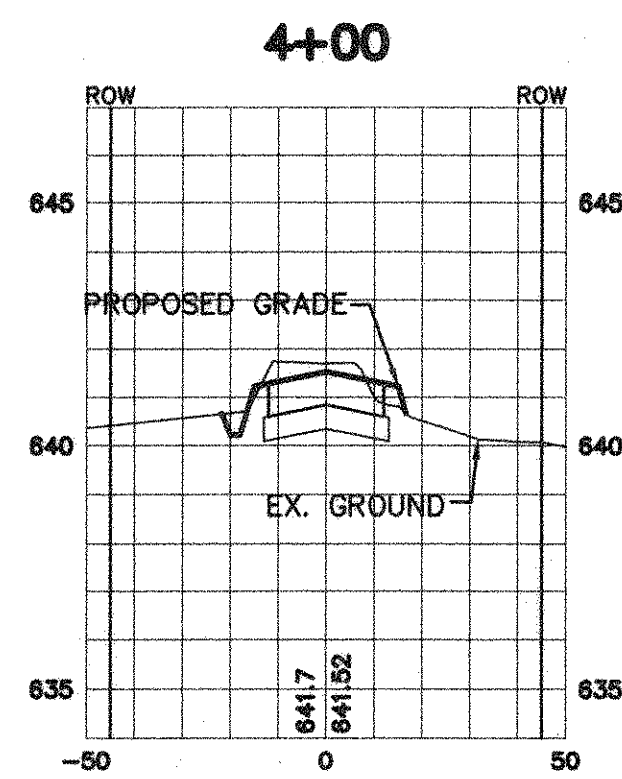
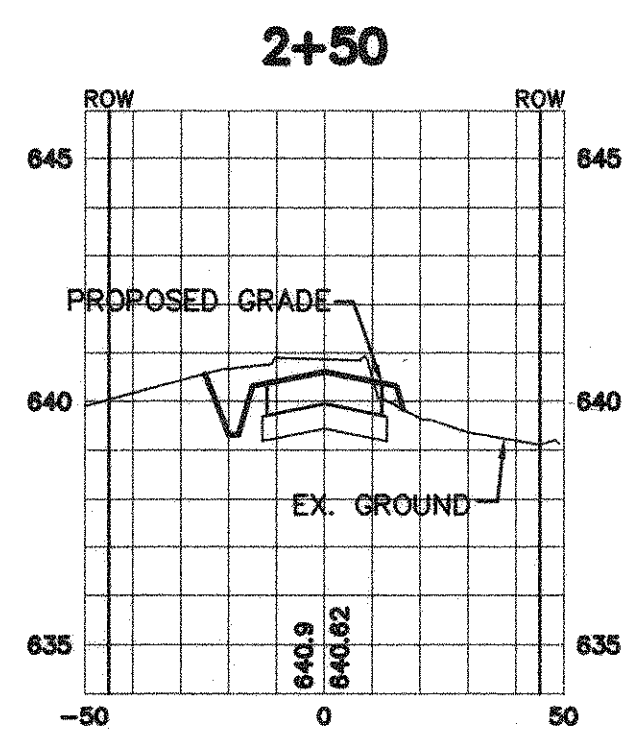
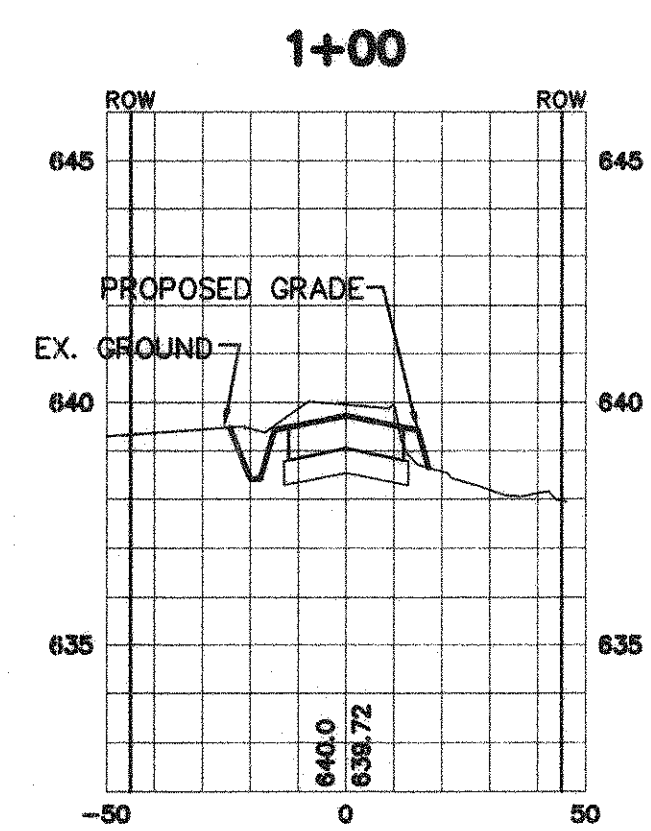
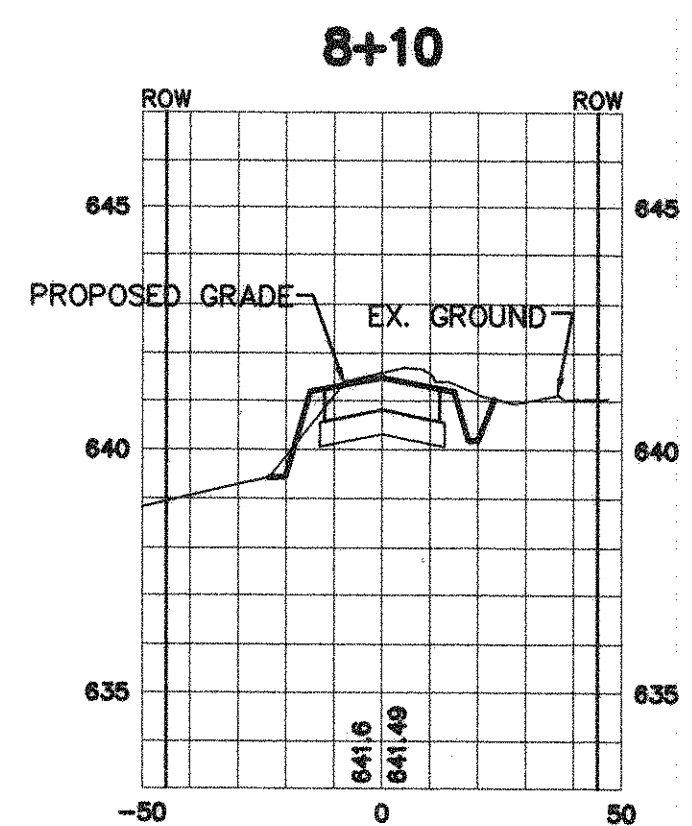
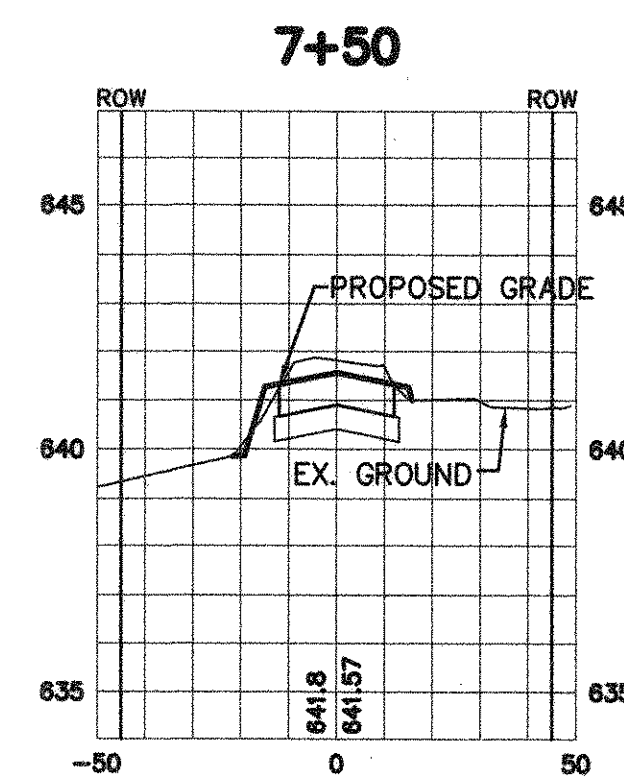
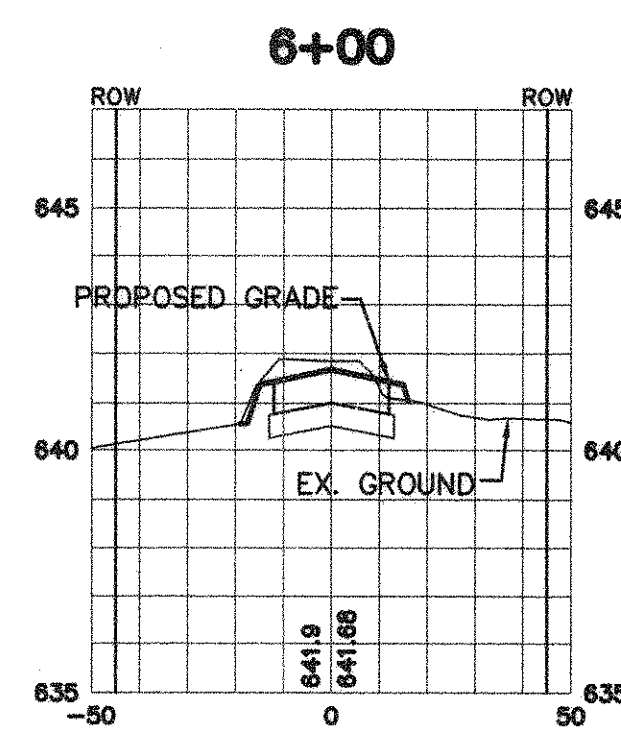
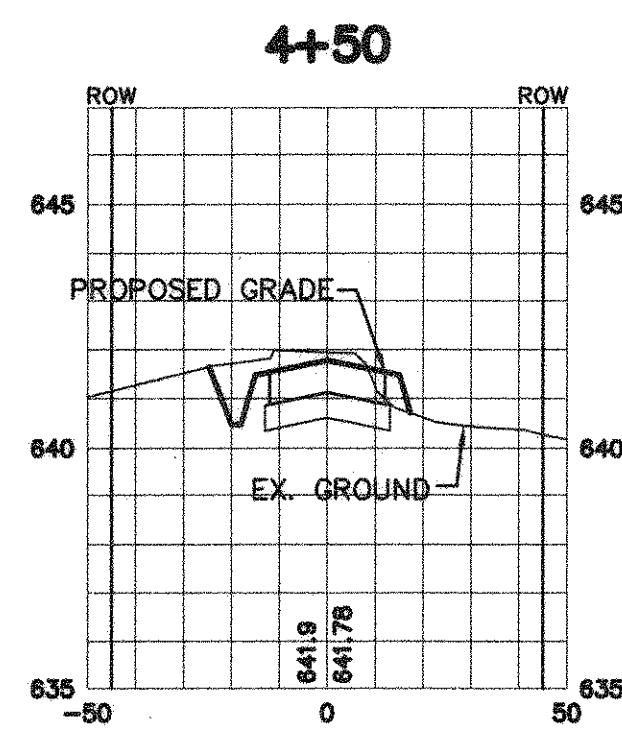
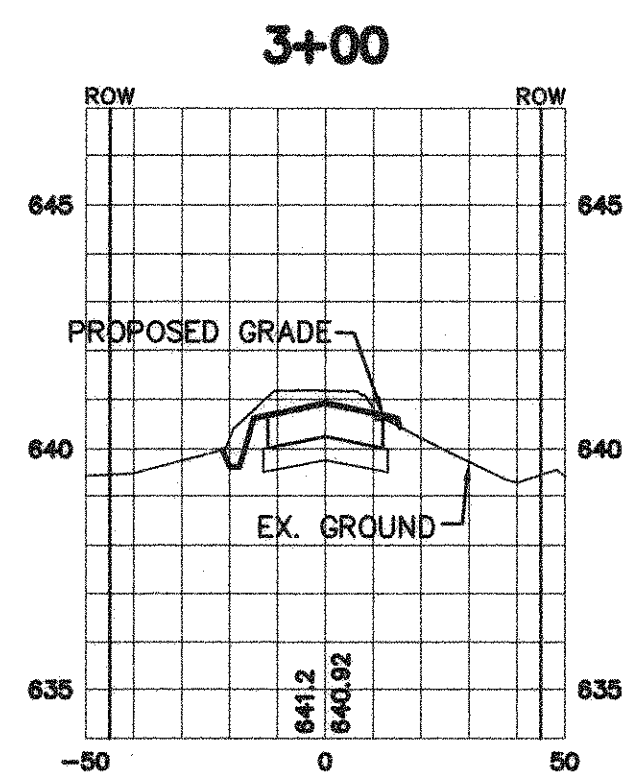
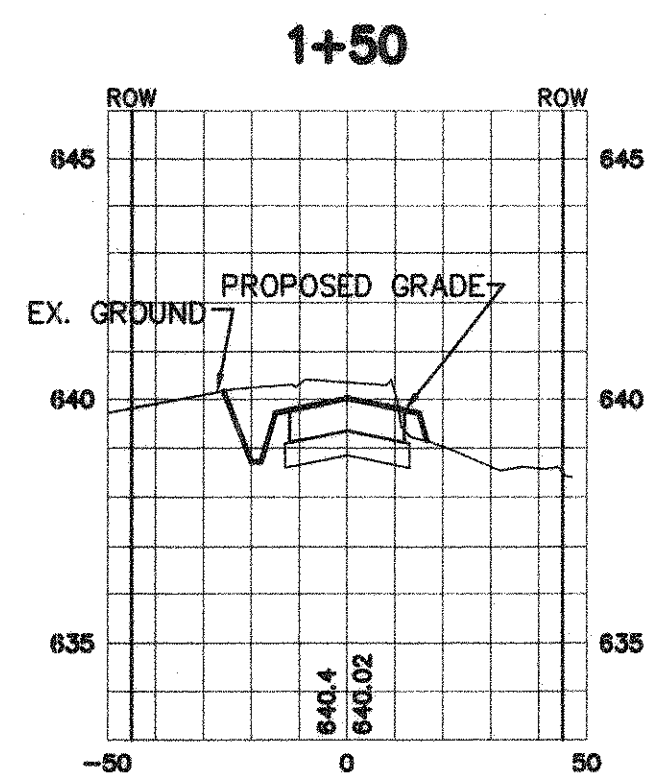
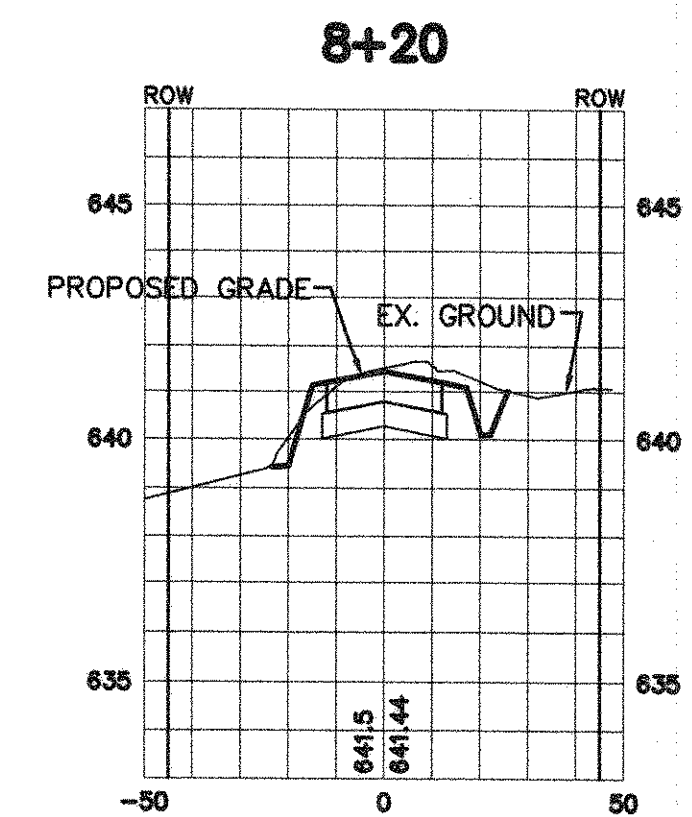
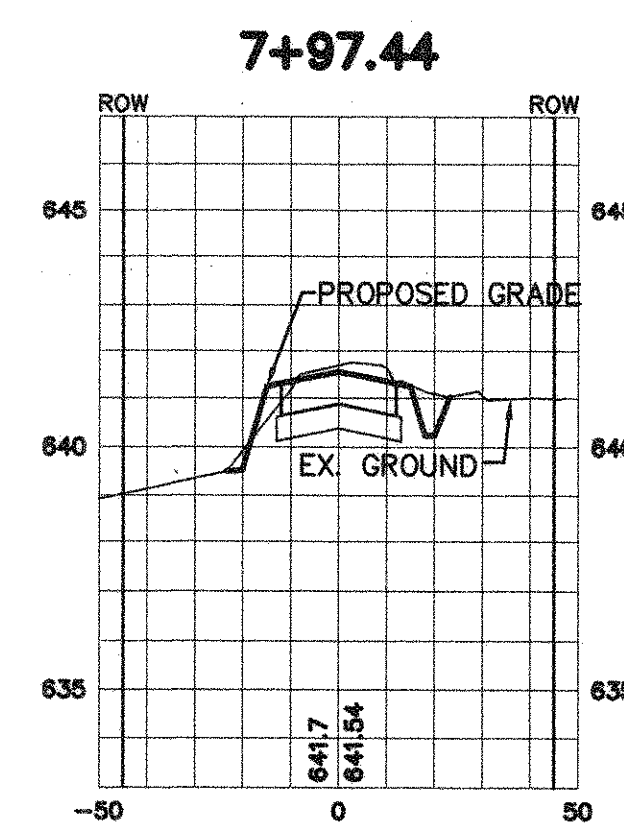
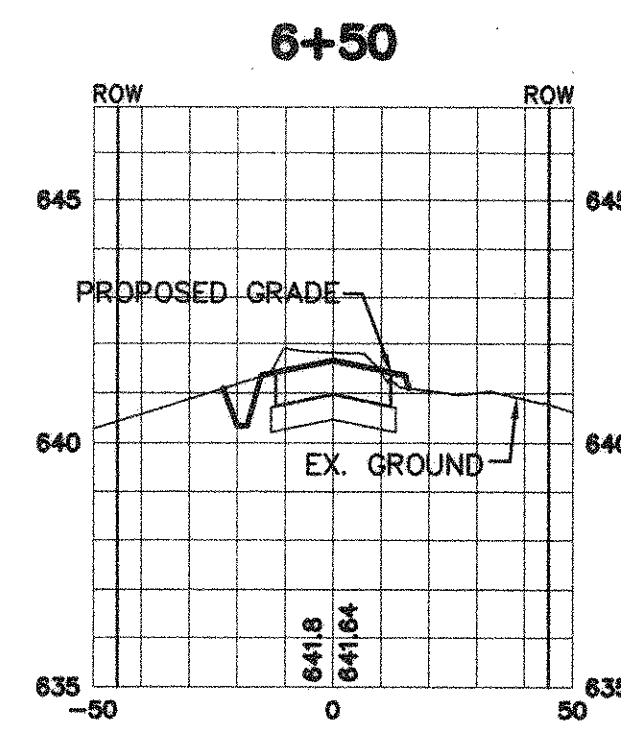
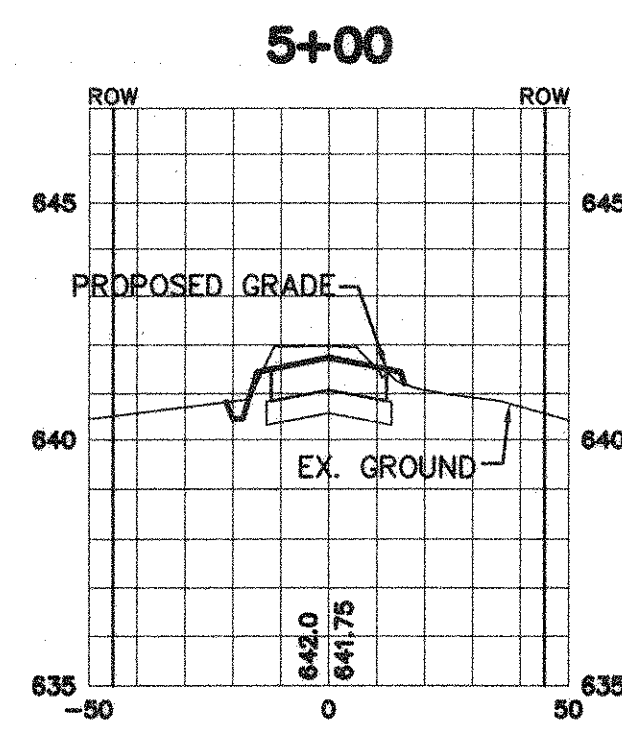
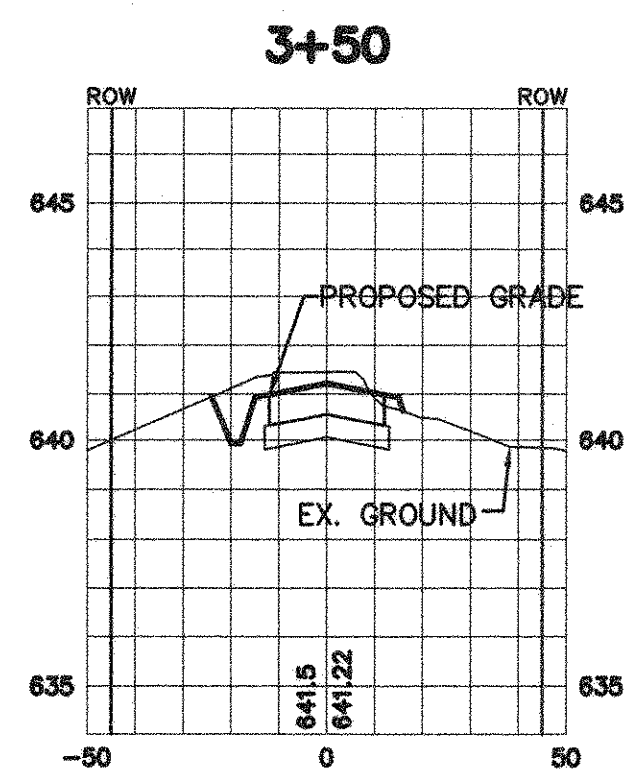
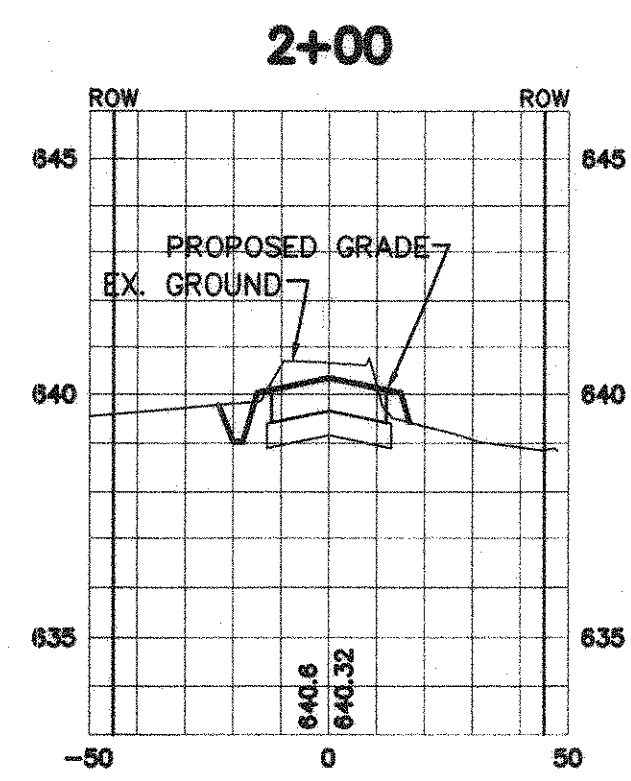
Brian L. Umberger 6-20-06
 The seal appearing on this document was authorized by Brian L. Umberger, P.E. 82474. Alteration of a sealed document without proper notification to the responsible engineer is an offense under the Texas Engineering Practice Act.

Jones & Boyd, Inc.
 17090 Dallas Parkway, Suite 200
 Dallas, Texas 75248
 972.248.7676 office
 972.248.1414 fax
 www.jones-boyd.com

- Engineering
- Surveying
- Planning
- Landscapes Architecture
- Construction Management

PAVING PLAN & PROFILE
INGRAM ROAD
SADDLEBROOK ESTATES, PHASE II
 City of Lucas, Collin County, Texas

PROJECT NO. SK420
 SHEET NO. 2



RECORD DRAWINGS
 THESE RECORD DRAWINGS HAVE BEEN PREPARED BASED ON INFORMATION PROVIDED BY OTHERS. JONES & BOYD, INC. HAS NOT VERIFIED THE ACCURACY AND/OR COMPLETENESS OF THIS INFORMATION, AND DOES NOT ASSUME ANY LIABILITY FOR OMISSIONS OR ERRORS. INFORMATION IS PROVIDED BY OTHERS AND IS NOT TO BE USED FOR ANY OTHER PURPOSES WITHOUT THE WRITTEN CONSENT OF JONES & BOYD, INC.
 BY: *[Signature]*
 DATE: 6/20/05

HORIZONTAL SCALE 1"=40'
 VERTICAL SCALE 1"=4'

- BENCHMARKS:
1. "1/2" IR, W of Ingram Rd. +- 1025' N of N edge of Lucas Rd. +- 6' E of fence. Elev. 637.08
 2. "1/2" IR, E of Ingram Rd. +- 2650' N of N edge of Lucas Rd. +- 28' E & 37' N of fence corner.

NO.	REVISIONS DURING CONSTRUCTION	BY	DATE	NO.	REVISIONS DURING PLAN REVIEW	BY	DATE

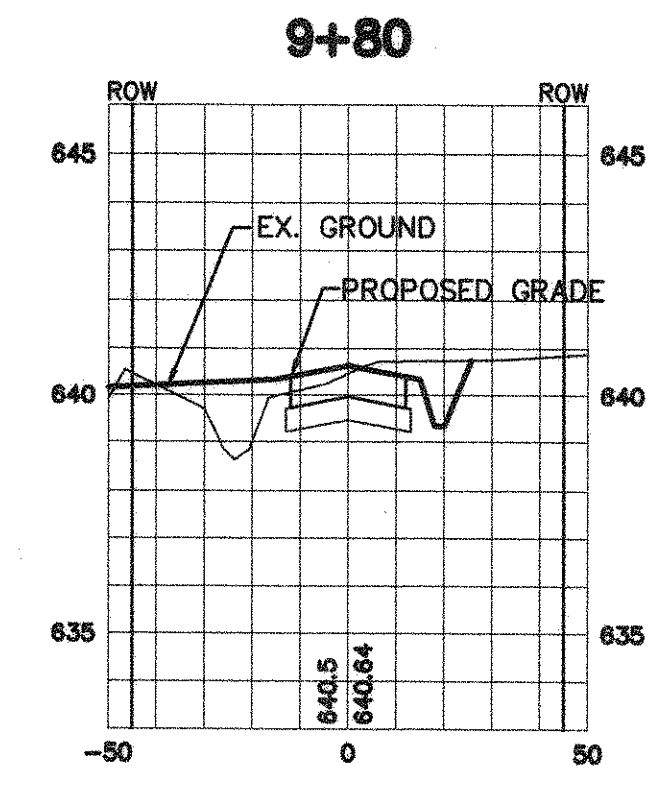
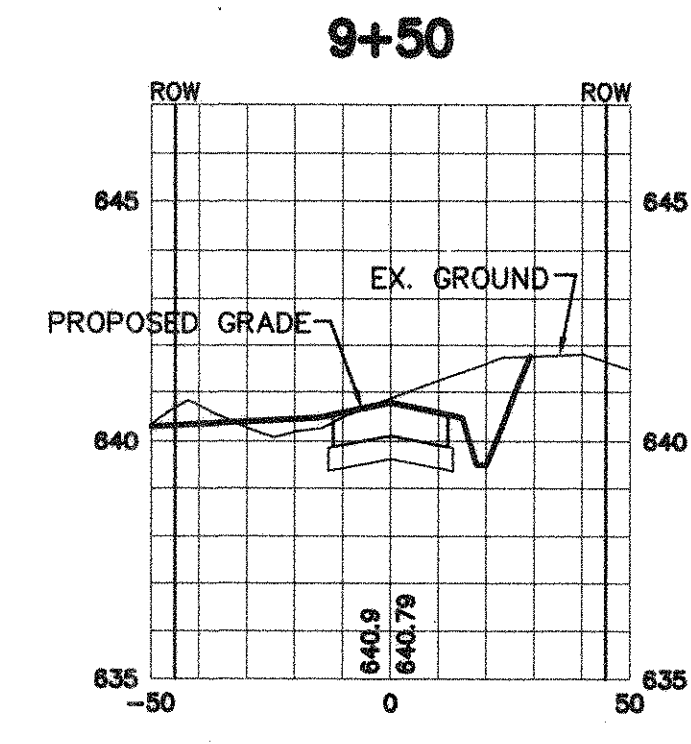
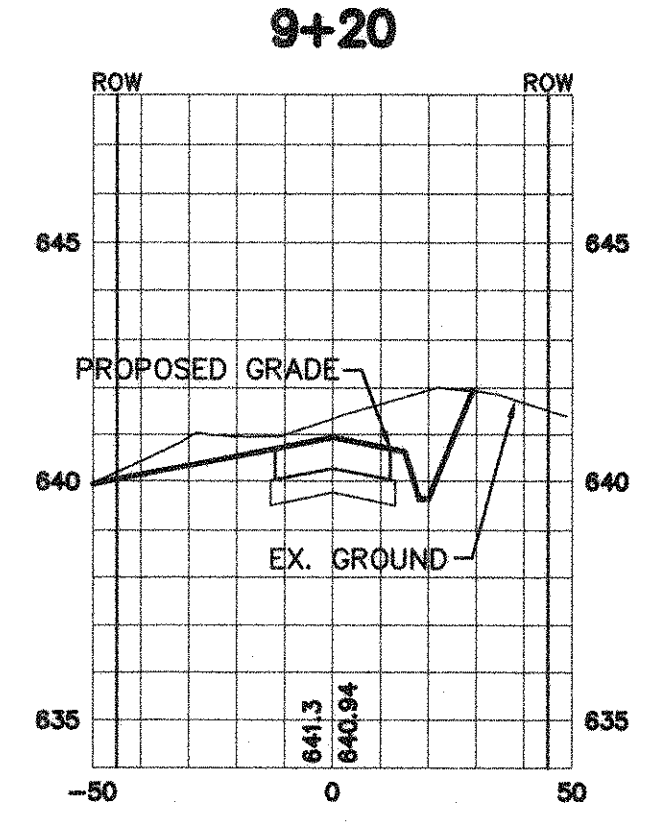
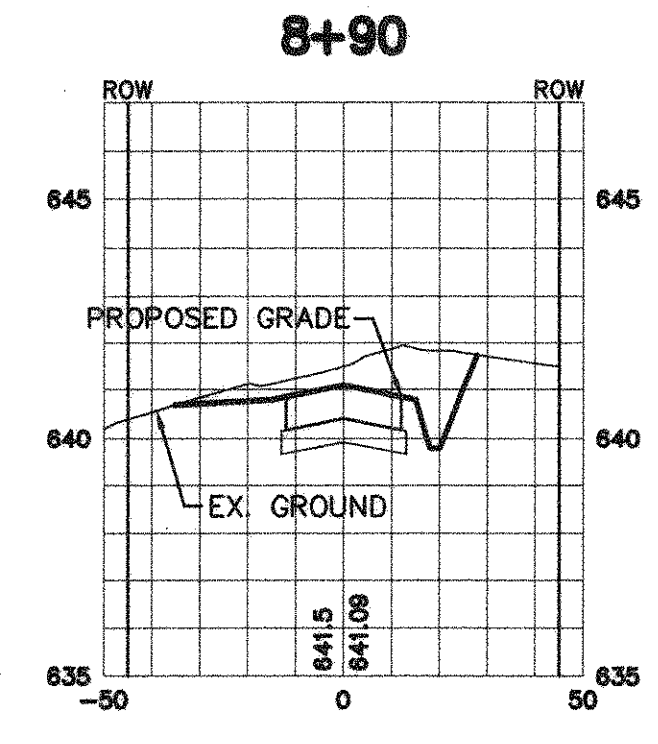
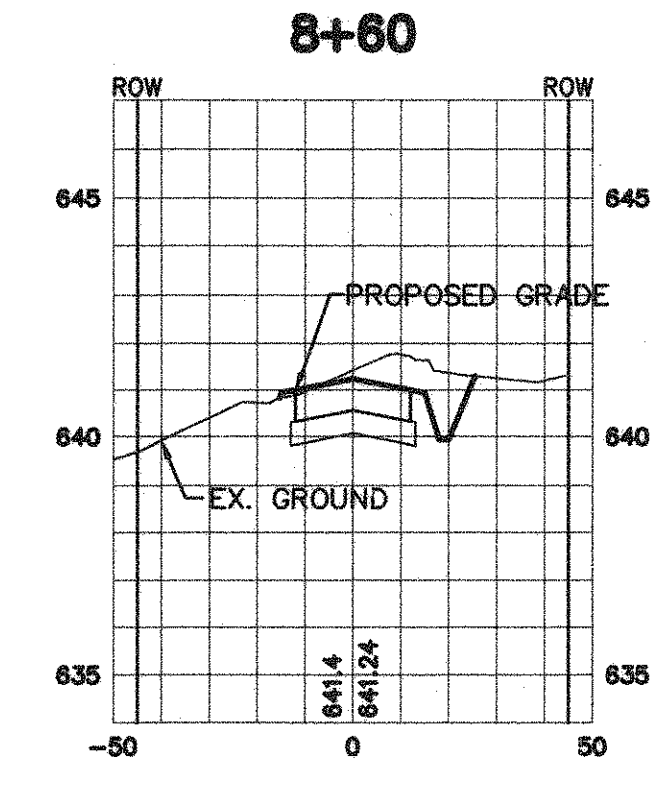
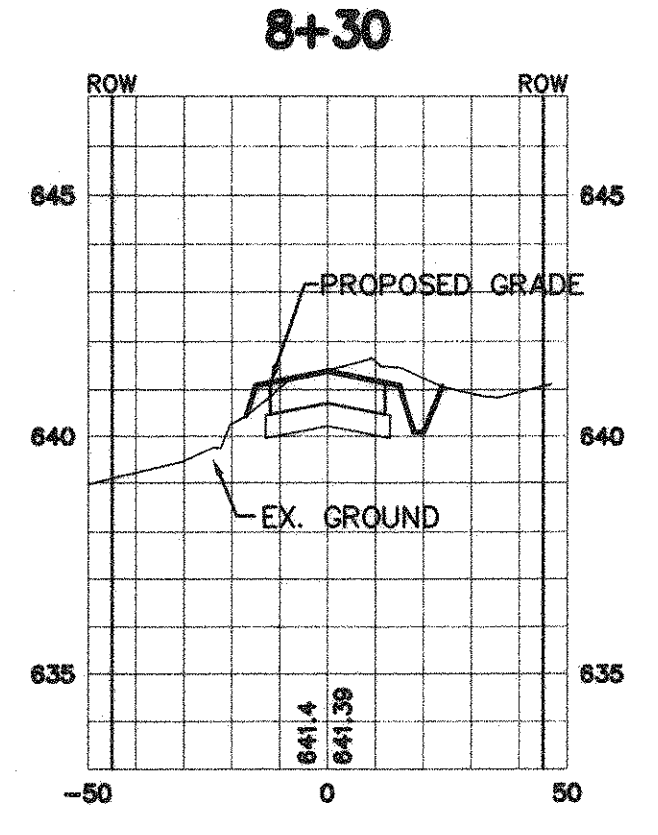
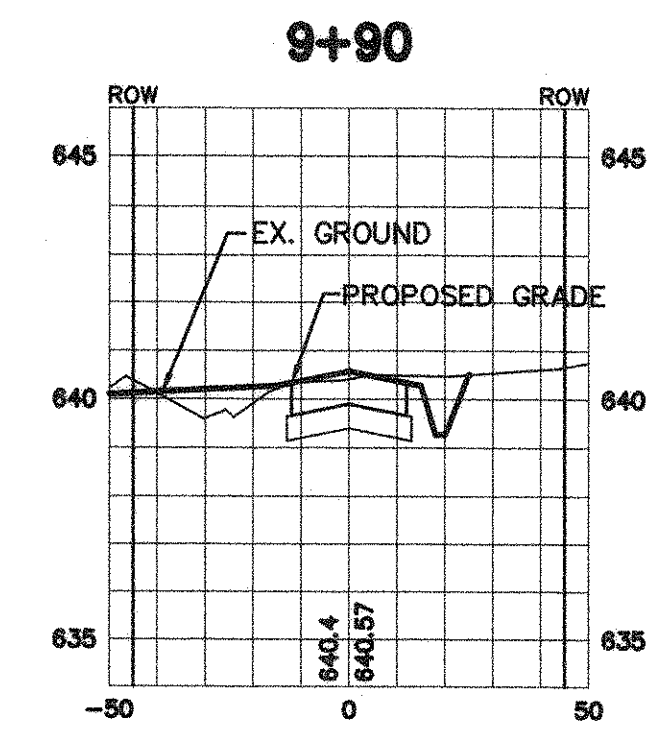
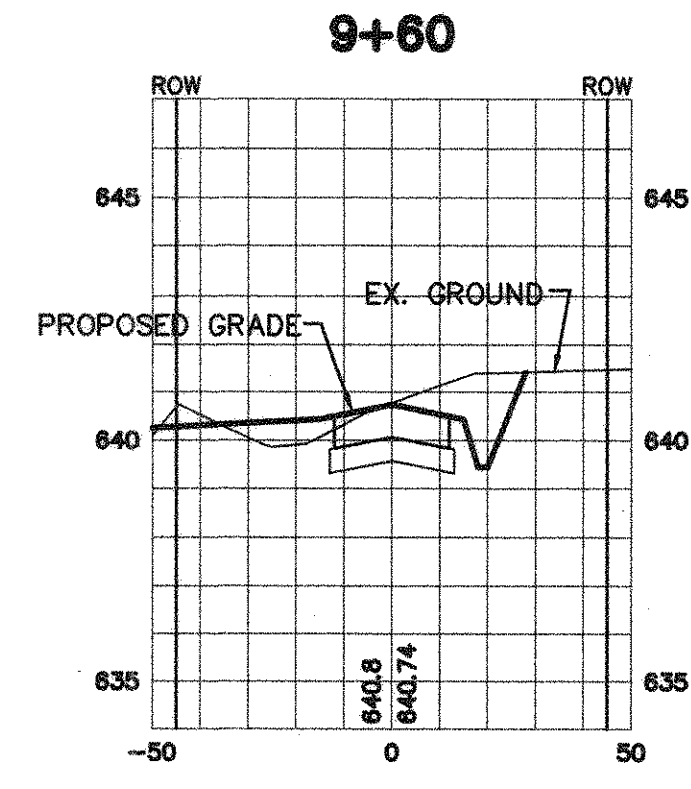
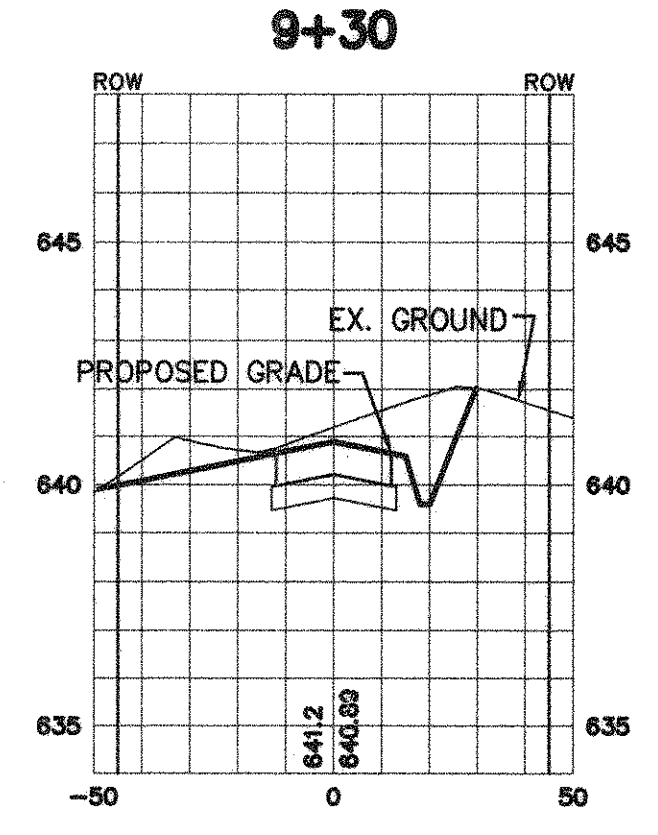
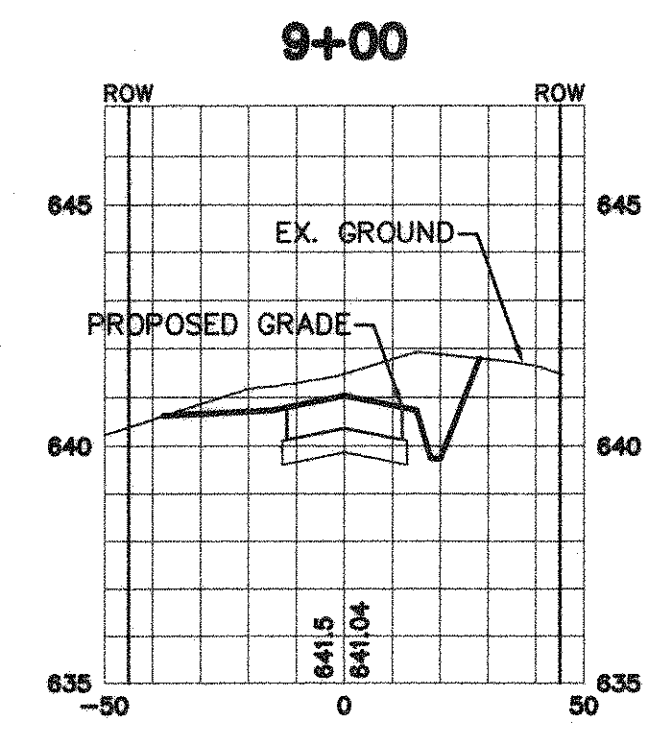
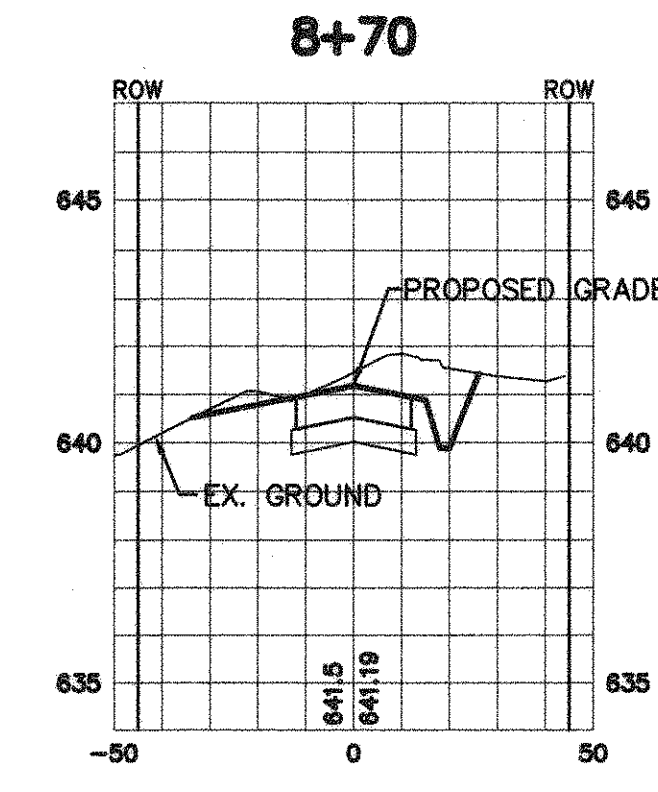
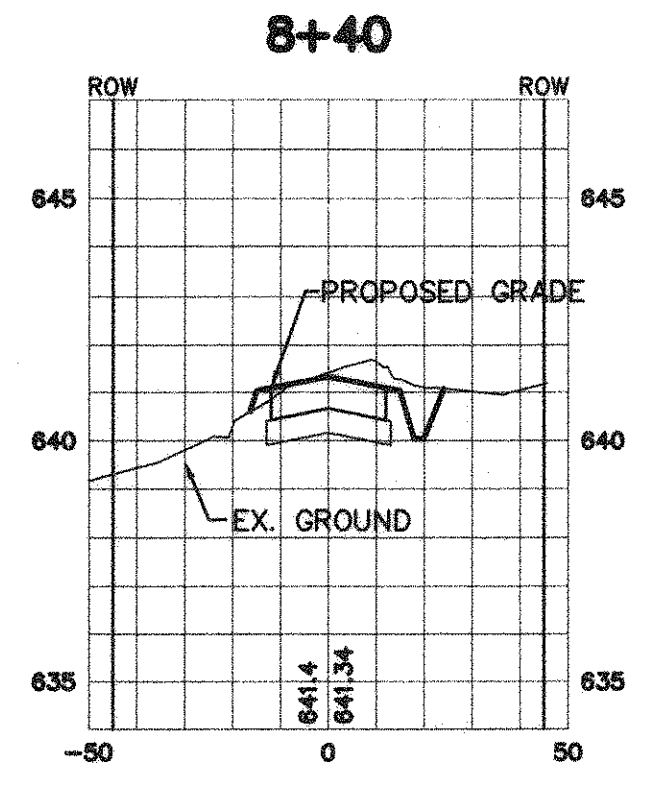
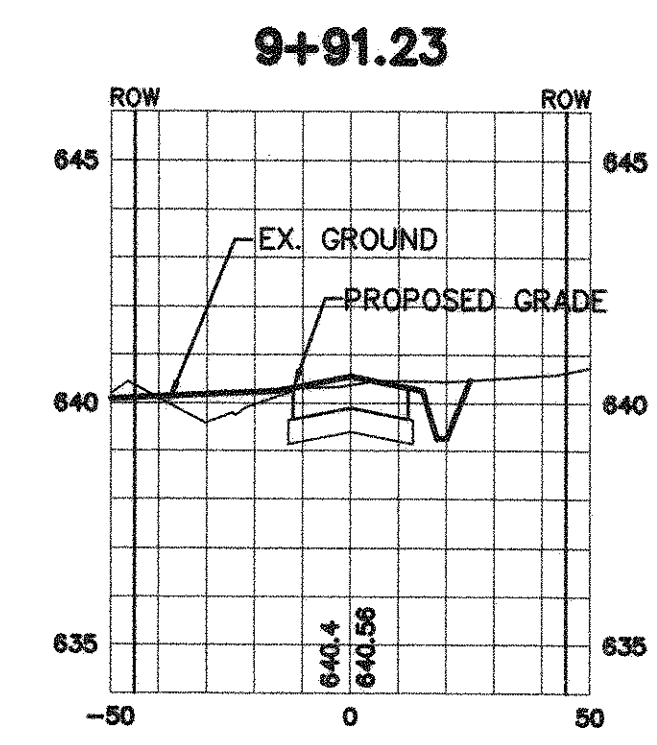
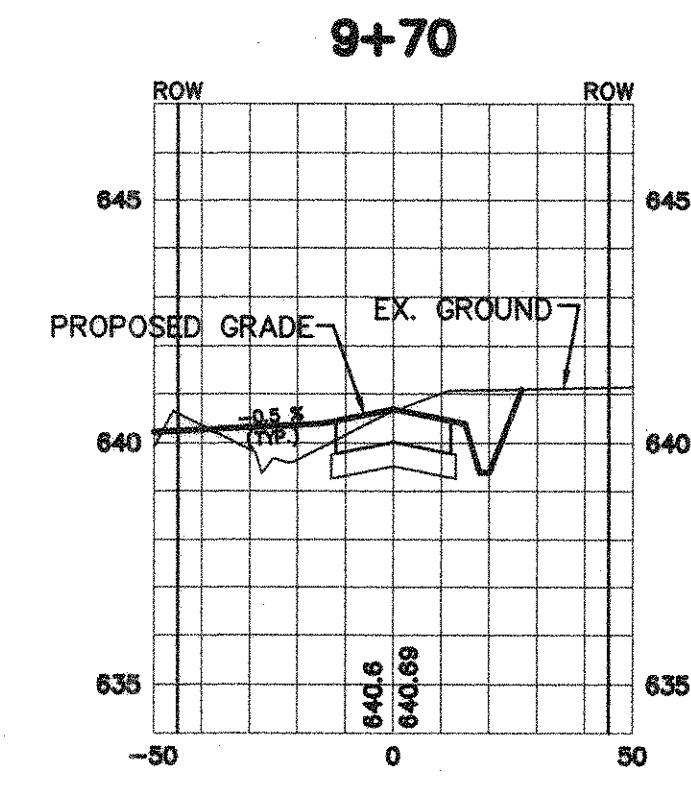
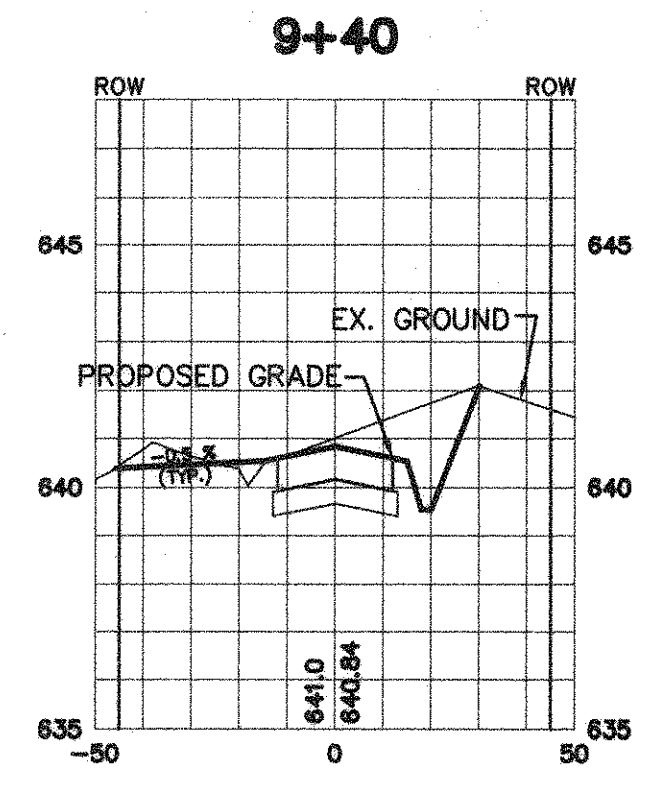
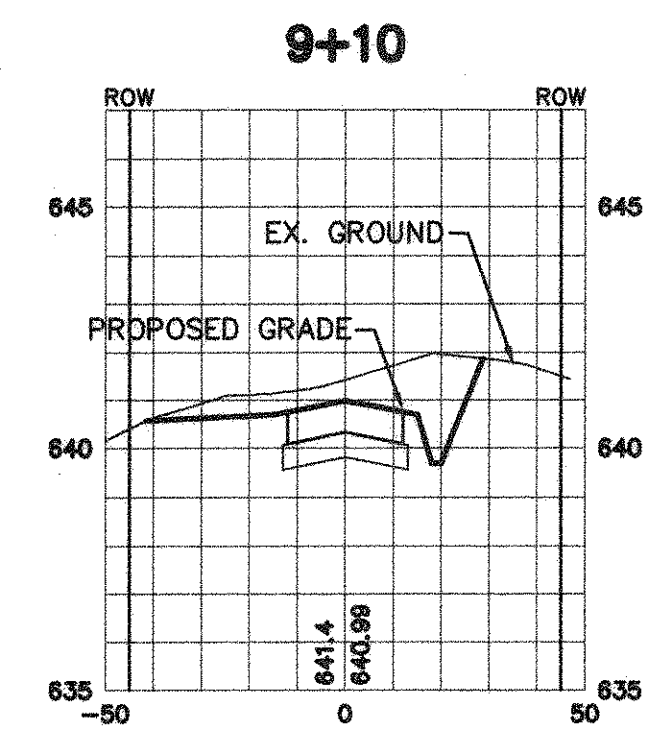
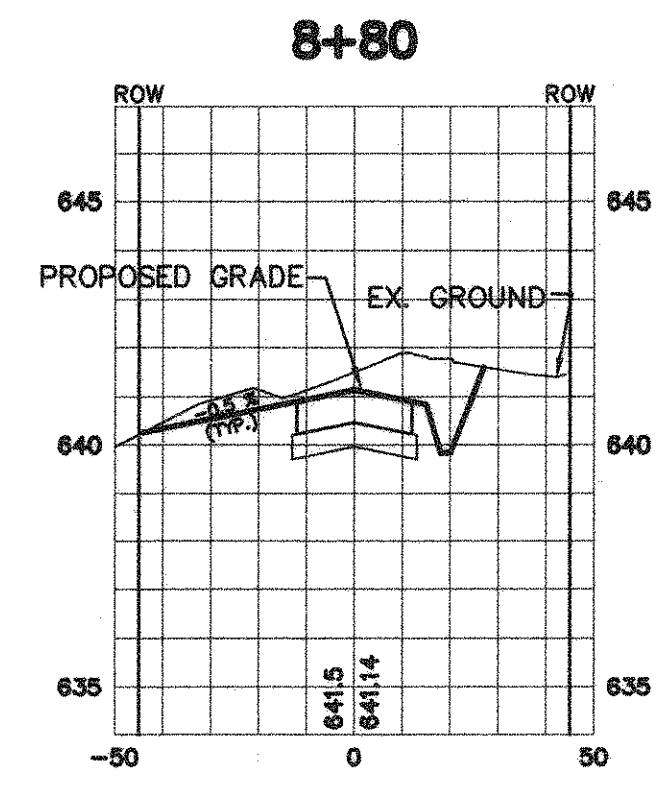
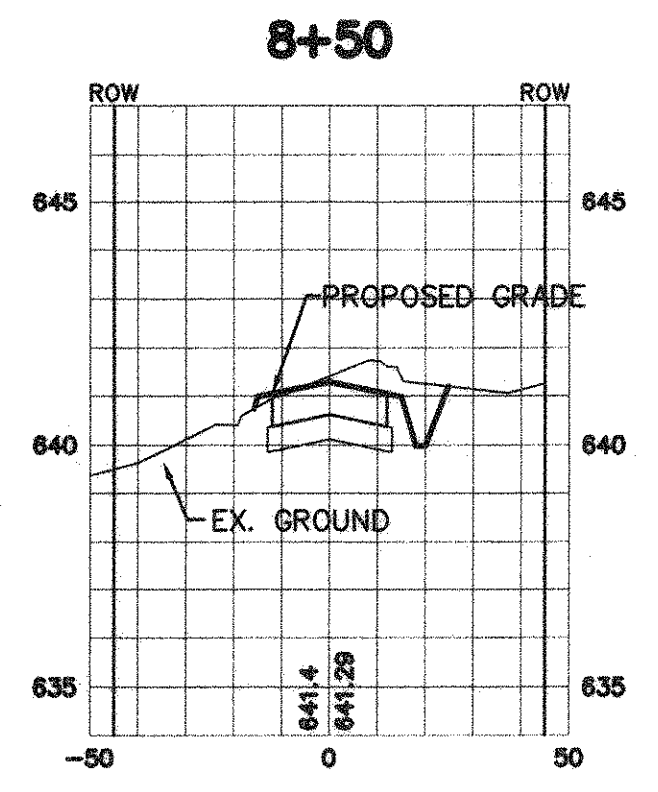
[Signature] 9.15.05
 The seal appearing on this document was authorized by Brian L. Umberger, P.E. 82474. Alteration of a sealed document without proper notification to the responsible engineer is an offense under the Texas Engineering Practice Act.

Jones & Boyd, Inc.
 17090 Dallas Parkway, Suite 200
 Dallas, Texas 75248
 972.248.7676 office
 972.248.1414 fax
 www.jones-boyd.com

- Engineering
- Surveying
- Planning
- Landscape Architecture
- Construction Management

PAVING SECTIONS
INGRAM ROAD
SADDLEBROOK ESTATES, PHASE II
 City of Lucas, Collin County, Texas

PROJECT NO.
SK420
 SHEET NO.
3



NEELED-APPROVED
 THESE RECORD DRAWINGS HAVE BEEN
 PROVIDED BY THE CONTRACTOR TO THE
 ENGINEER FOR REVIEW AND APPROVAL.
 THE CONTRACTOR IS RESPONSIBLE FOR
 THE ACCURACY AND COMPLETENESS OF
 THE INFORMATION PROVIDED IN THESE
 RECORDS. THE ENGINEER'S REVIEW IS
 LIMITED TO THE INFORMATION PROVIDED
 AND DOES NOT CONSTITUTE A GUARANTEE
 OR A WARRANTY OF ANY KIND. THE
 CONTRACTOR SHALL BE RESPONSIBLE FOR
 ANY OMISSIONS, ERRORS, OR INACCURACIES
 IN THESE RECORDS. THE ENGINEER'S
 REVIEW IS LIMITED TO THE INFORMATION
 PROVIDED BY THE CONTRACTOR.
 BY: *[Signature]*
 DATE: 6/20/06

HORIZONTAL SCALE 1"=40'
 VERTICAL SCALE 1"=4'

- BENCHMARKS:
 1. "□" 1/2" IR, W of Ingram Rd. +- 1025' N of N edge of Lucas Rd.
 +- 6' E of fence.
 Elev. 637.08
 2. "□" 1/2" IR, E of Ingram Rd. +- 2650' N of N edge of Lucas Rd.
 +- 28' E & 37' N of fence corner.

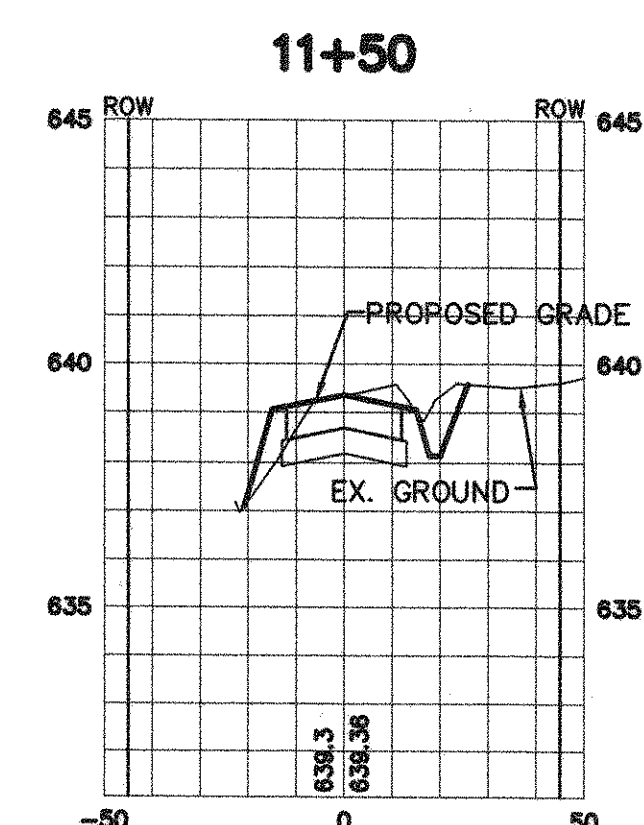
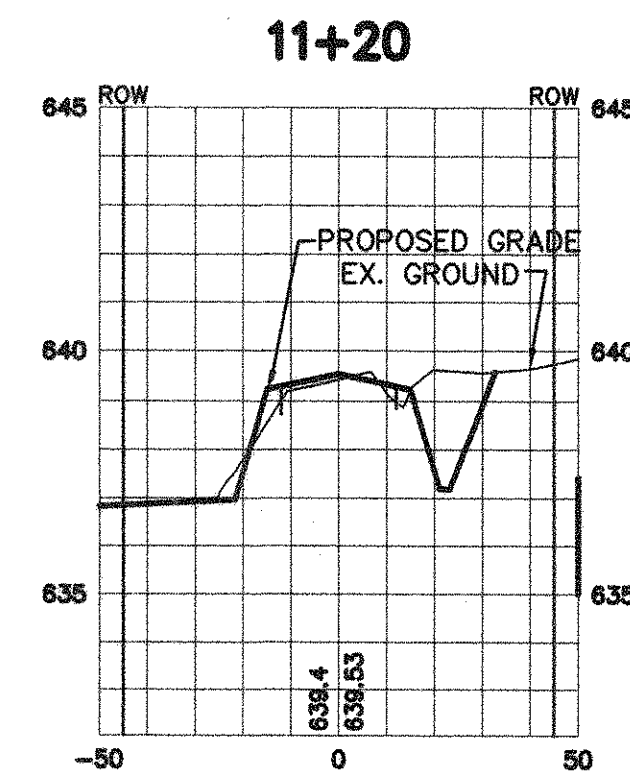
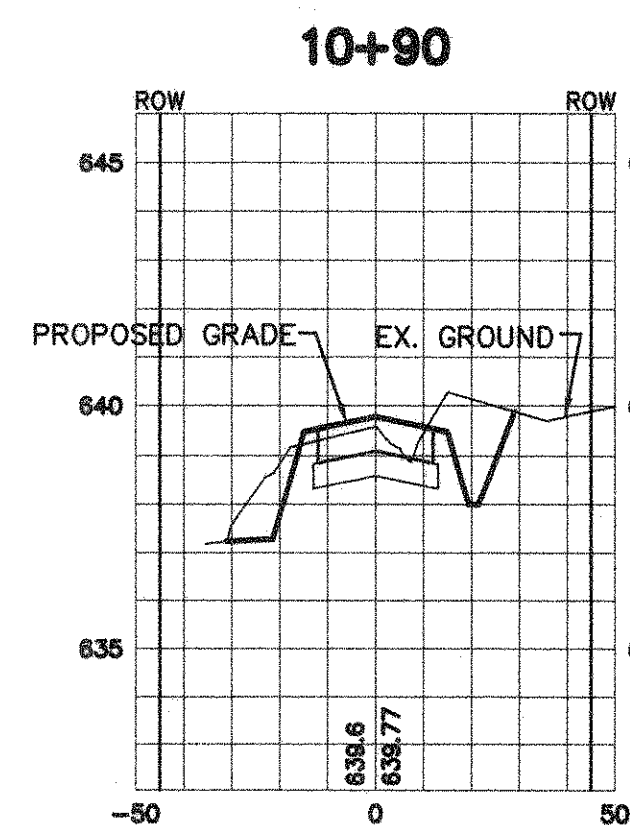
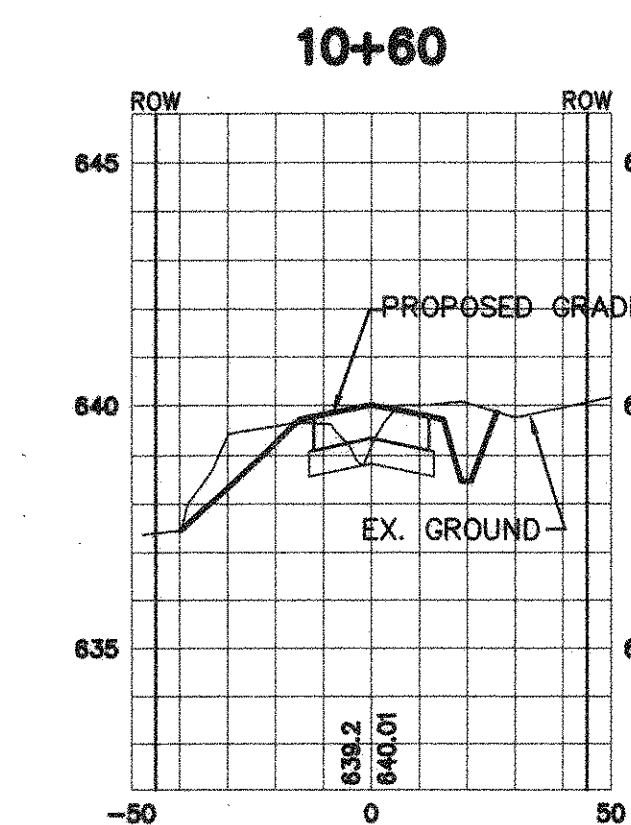
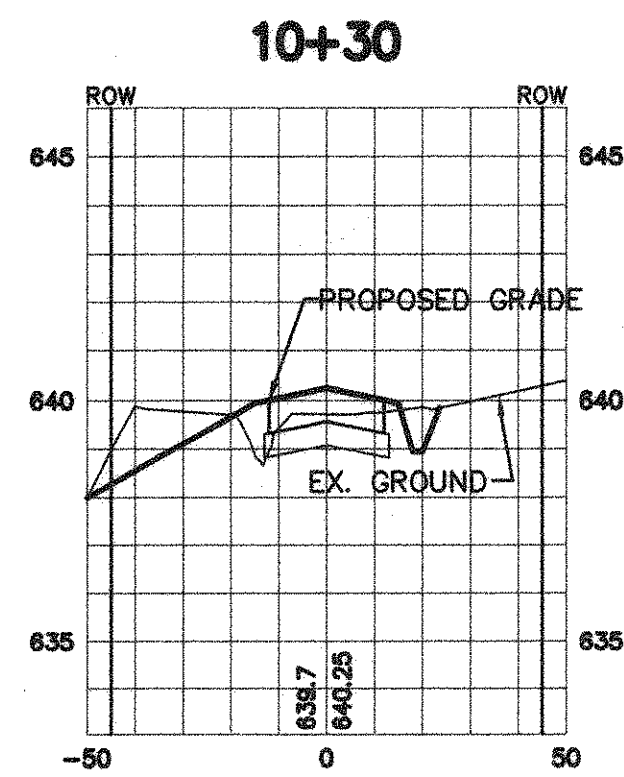
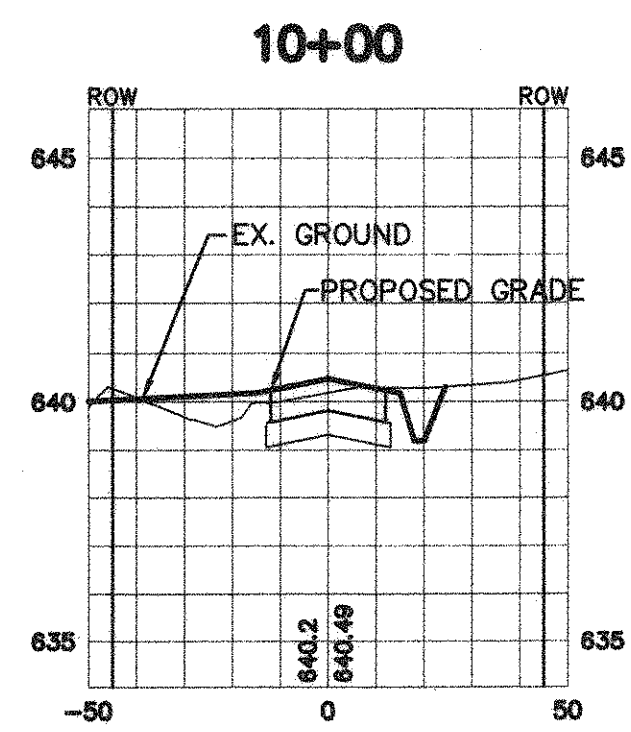
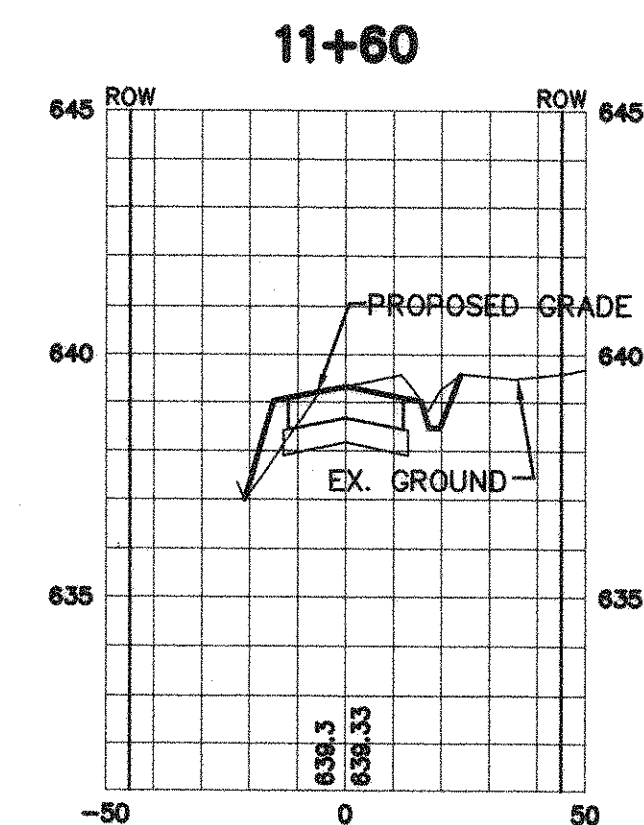
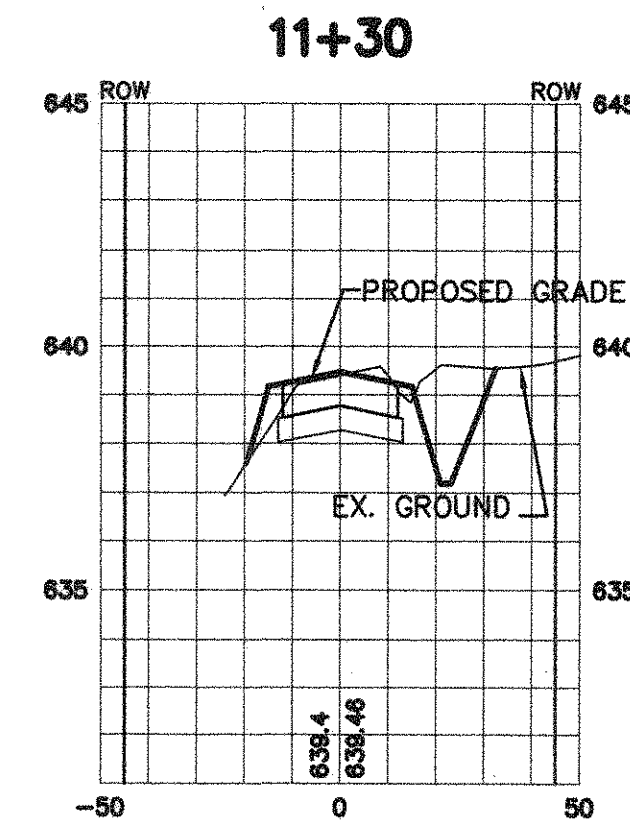
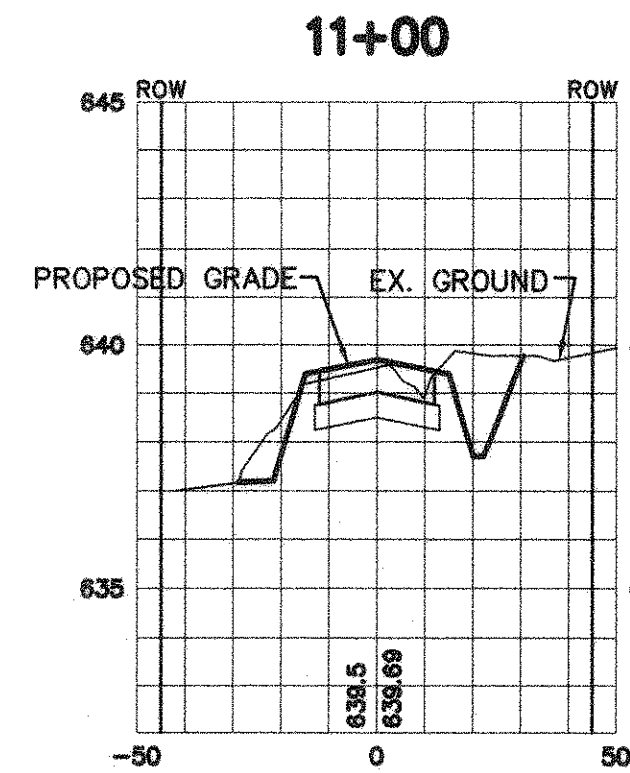
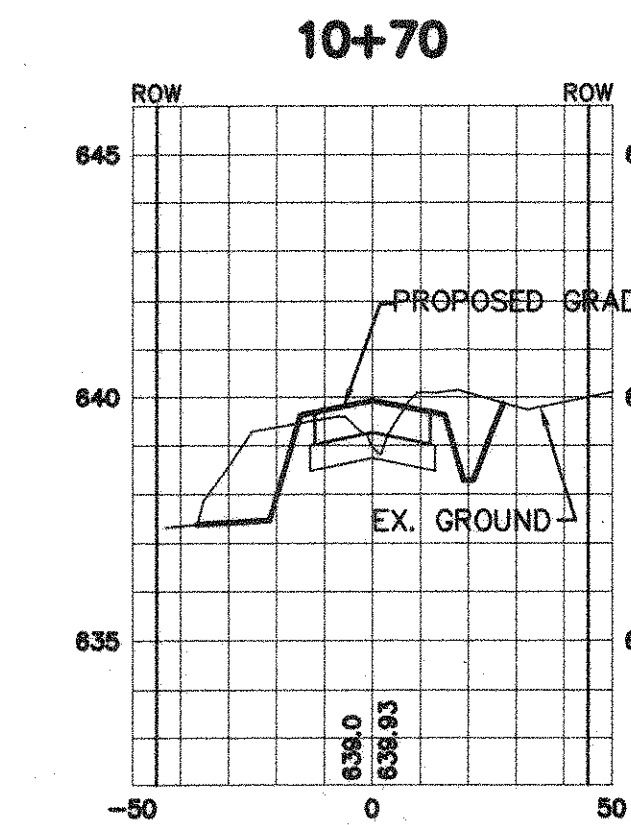
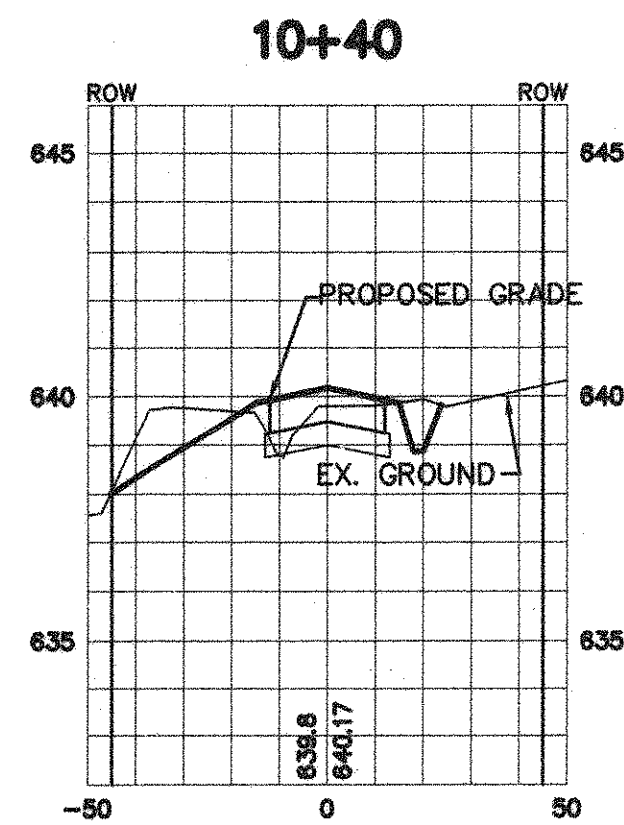
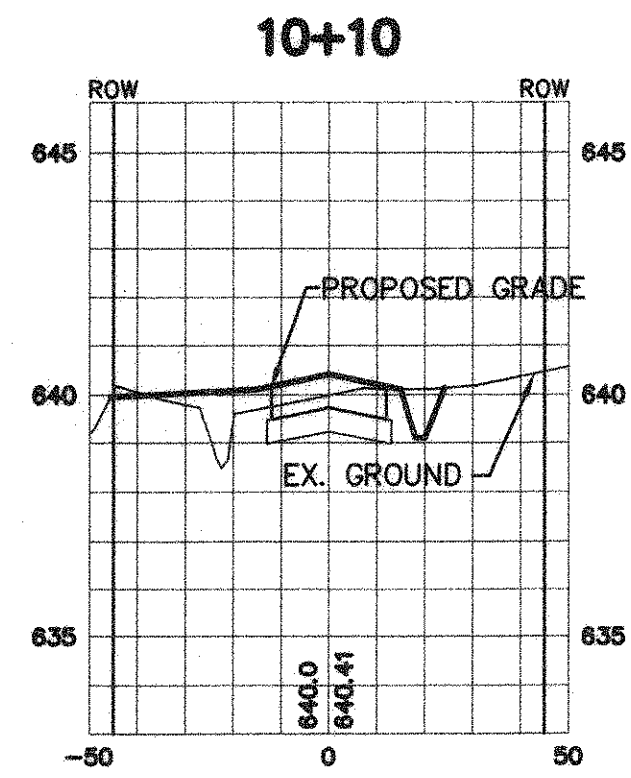
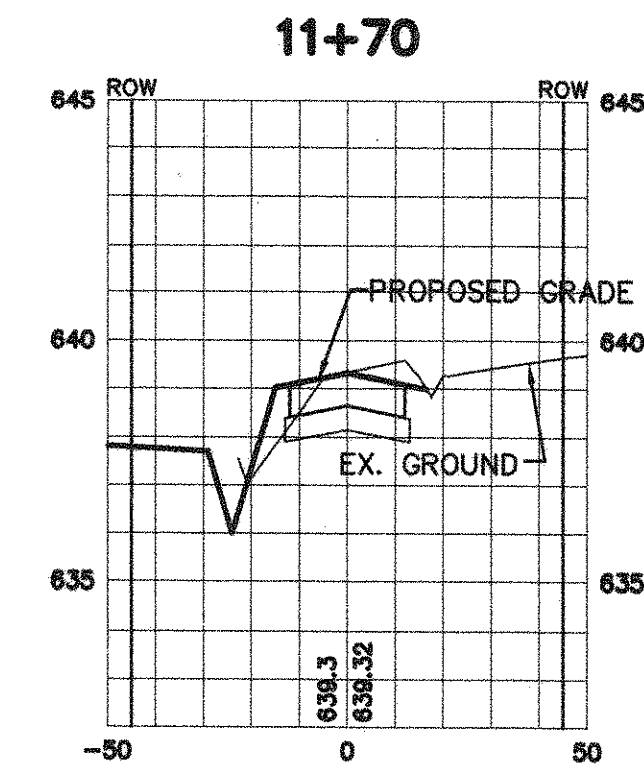
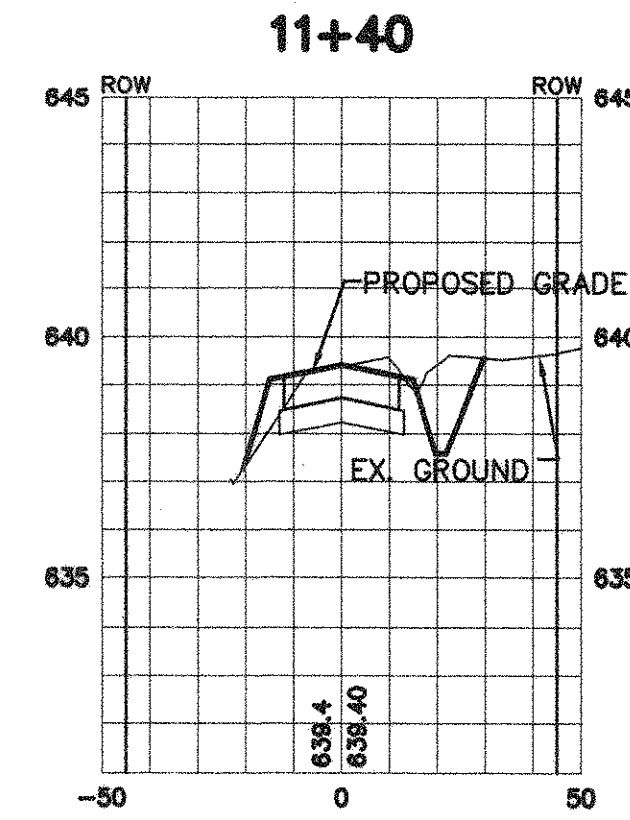
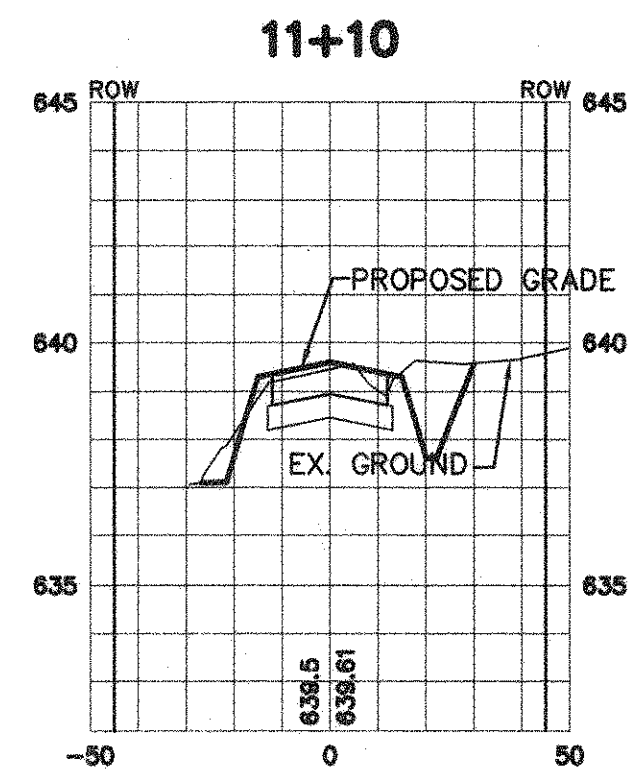
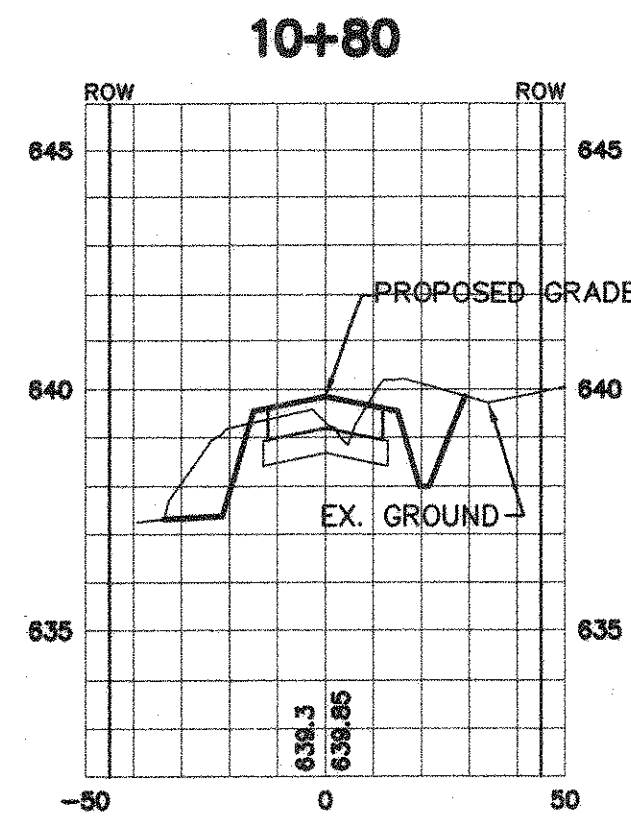
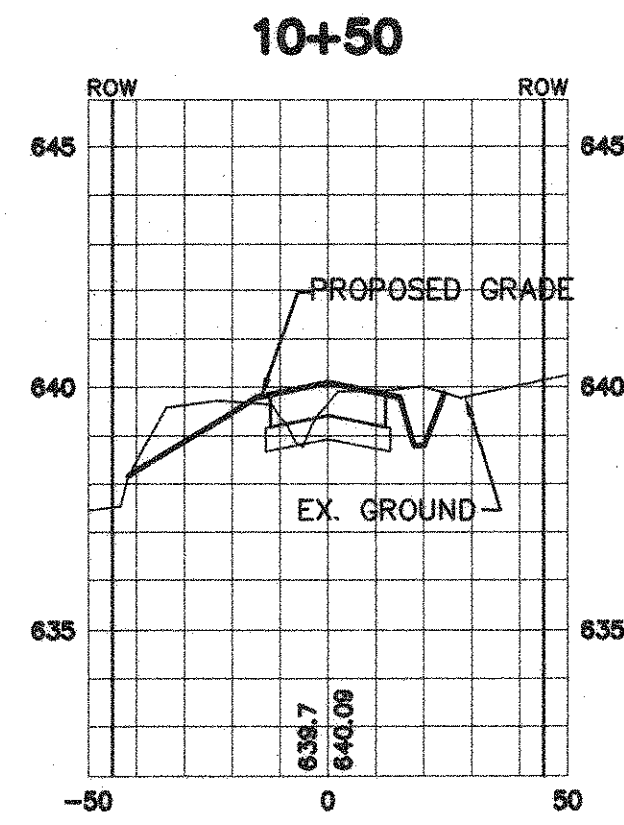
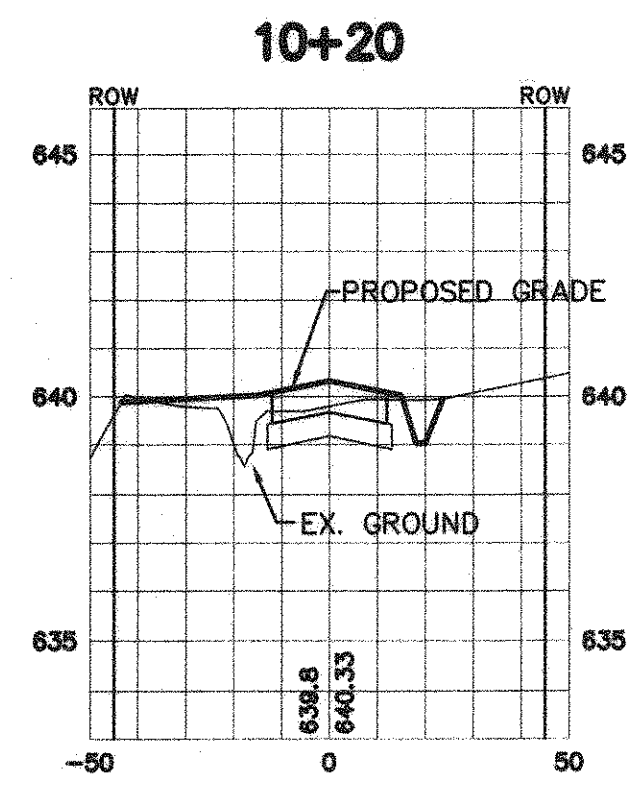
REVISIONS DURING CONSTRUCTION				REVISIONS DURING PLAN REVIEW			
NO.	REVISIONS DURING CONSTRUCTION	BY	DATE	NO.	REVISIONS DURING PLAN REVIEW	BY	DATE

[Signature]
 9-15-05
 THE SEAL APPEARING ON THIS DOCUMENT WAS AUTHORIZED BY
 BRIAN L. UMBERGER, P.E.
 82474. ALTERATION OF A
 SEALED DOCUMENT WITHOUT
 PROPER NOTIFICATION TO THE
 RESPONSIBLE ENGINEER IS AN
 OFFENSE UNDER THE TEXAS
 ENGINEERING PRACTICE ACT.

JB Jones & Boyd, Inc.
 17090 Dallas Parkway, Suite 200
 Dallas, Texas 75248
 972.248.7676 office
 972.248.1414 fax
 www.jones-boyd.com

- Engineering
- Surveying
- Planning
- Landscape Architecture
- Construction Management

PAVING SECTIONS		PROJECT NO.
INGRAM ROAD		SK420
SADDLEBROOK ESTATES, PHASE II		SHEET NO.
City of Lucas, Collin County, Texas		4



RECORD DRAWINGS
 THESE RECORD DRAWINGS HAVE BEEN PREPARED BY JONES & BOYD, INC. AND HAVE NOT BEEN VERIFIED BY THE ENGINEER. THE USER OF THESE DRAWINGS SHALL BE RESPONSIBLE FOR ANY ERRORS OR OMISSIONS THAT MAY OCCUR. THE USER SHALL BE RESPONSIBLE FOR OBTAINING ALL NECESSARY PERMITS AND APPROVALS FROM THE APPROPRIATE AGENCIES. THE USER SHALL BE RESPONSIBLE FOR OBTAINING ALL NECESSARY INFORMATION FROM THE APPROPRIATE AGENCIES. THE USER SHALL BE RESPONSIBLE FOR OBTAINING ALL NECESSARY INFORMATION FROM THE APPROPRIATE AGENCIES. THE USER SHALL BE RESPONSIBLE FOR OBTAINING ALL NECESSARY INFORMATION FROM THE APPROPRIATE AGENCIES.
 BY: *[Signature]*
 DATE: 6/20/06

HORIZONTAL SCALE 1"=40'
 VERTICAL SCALE 1"=4'

- BENCHMARKS:
 1. "□" 1/2" IR, W of Ingram Rd. +- 1025' N of N edge of Lucas Rd. +- 6' E of fence. Elev. 637.08
 2. "□" 1/2" IR, E of Ingram Rd. +- 2650' N of N edge of Lucas Rd. +- 28' E & 37' N of fence corner.

NO.	REVISIONS DURING CONSTRUCTION	BY	DATE	NO.	REVISIONS DURING PLAN REVIEW	BY	DATE

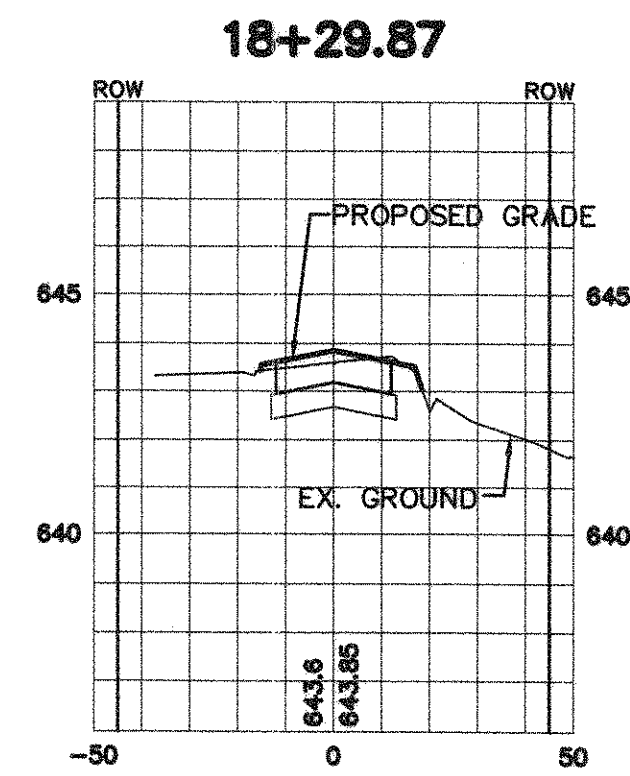
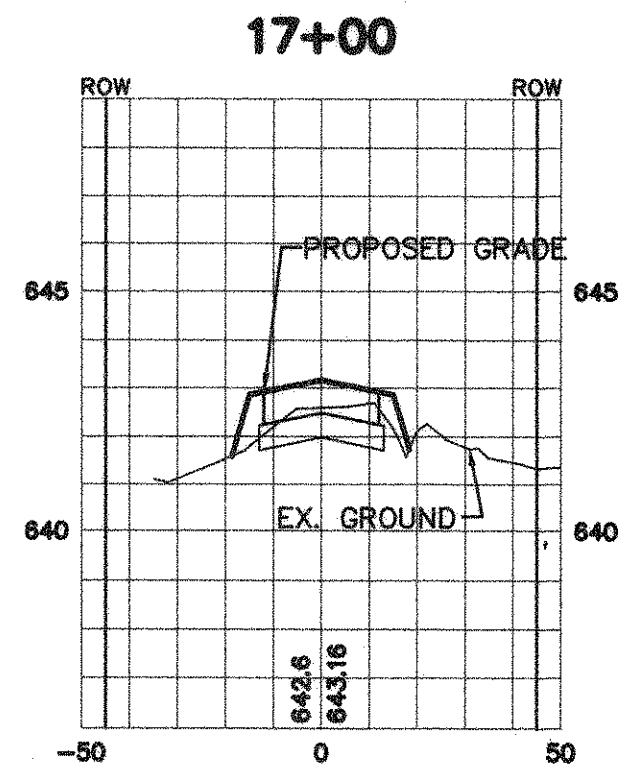
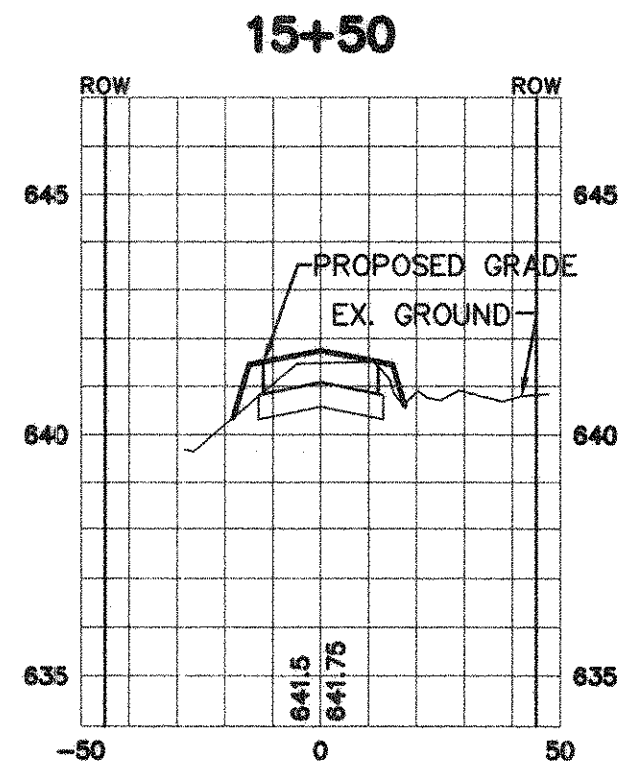
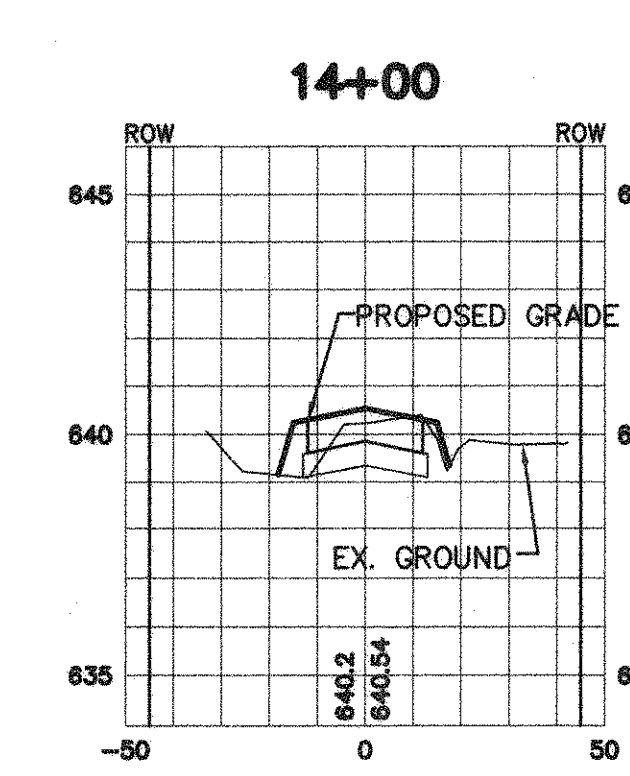
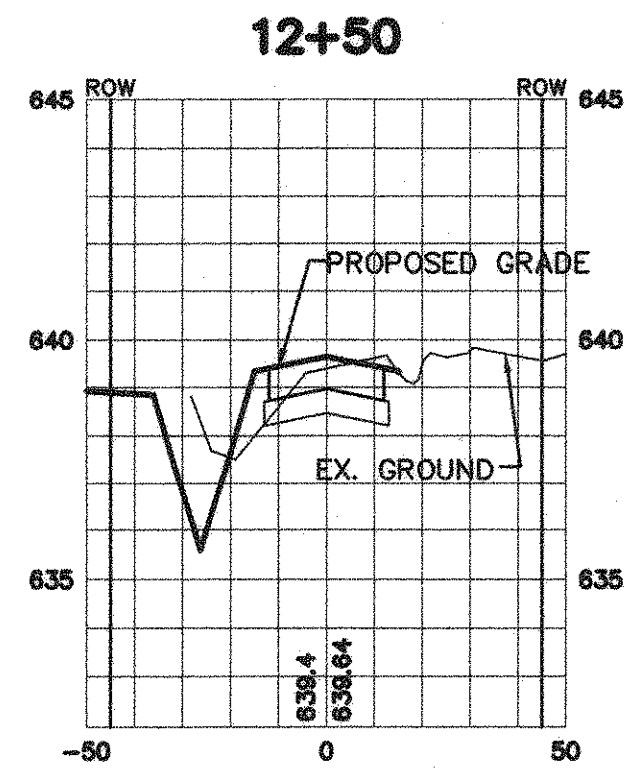
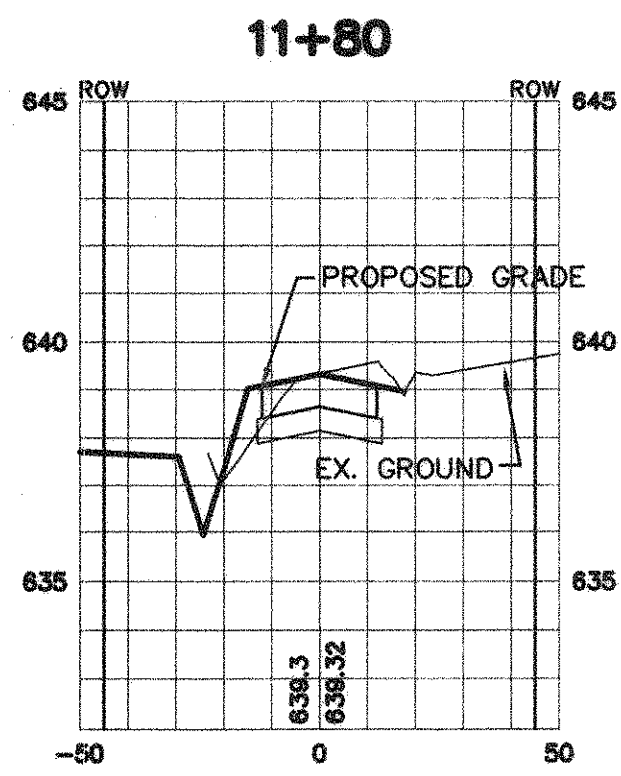
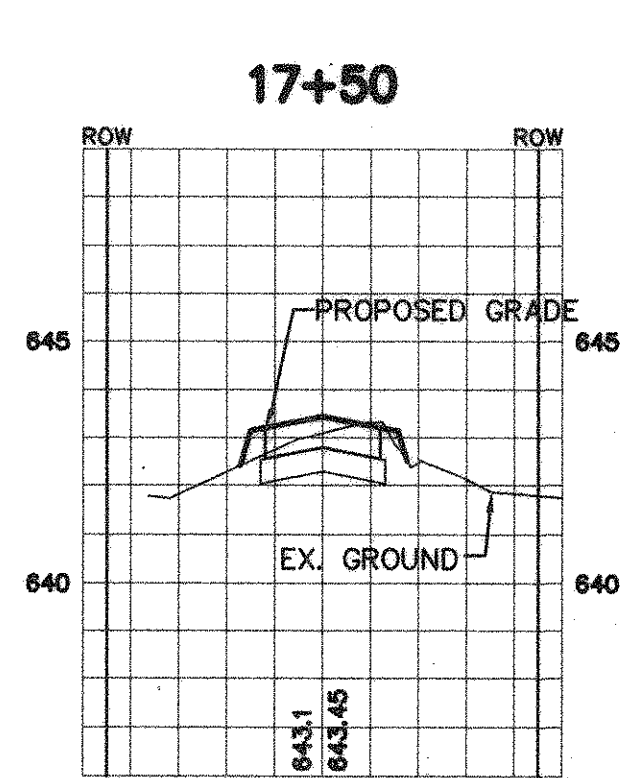
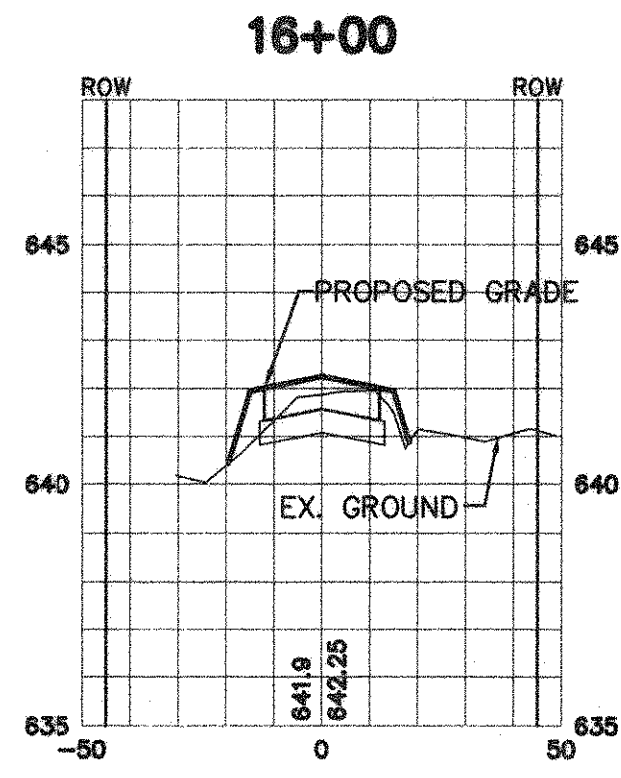
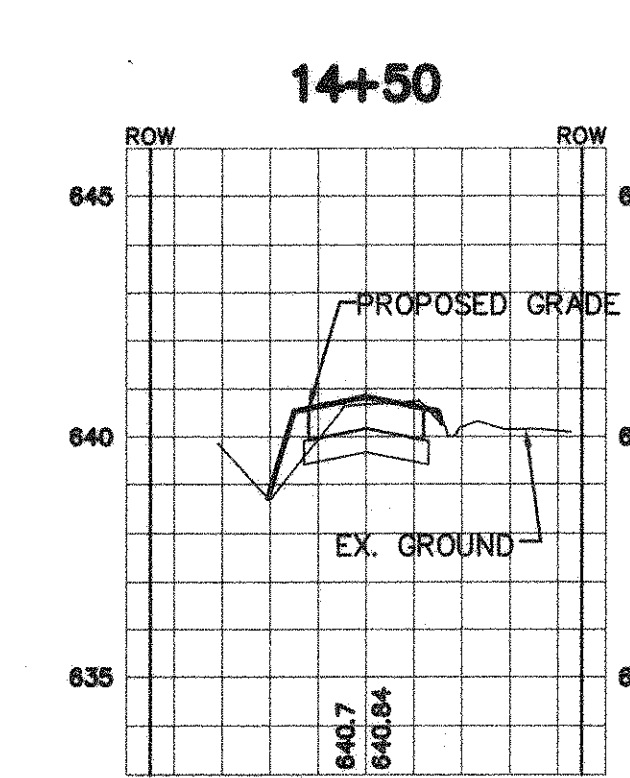
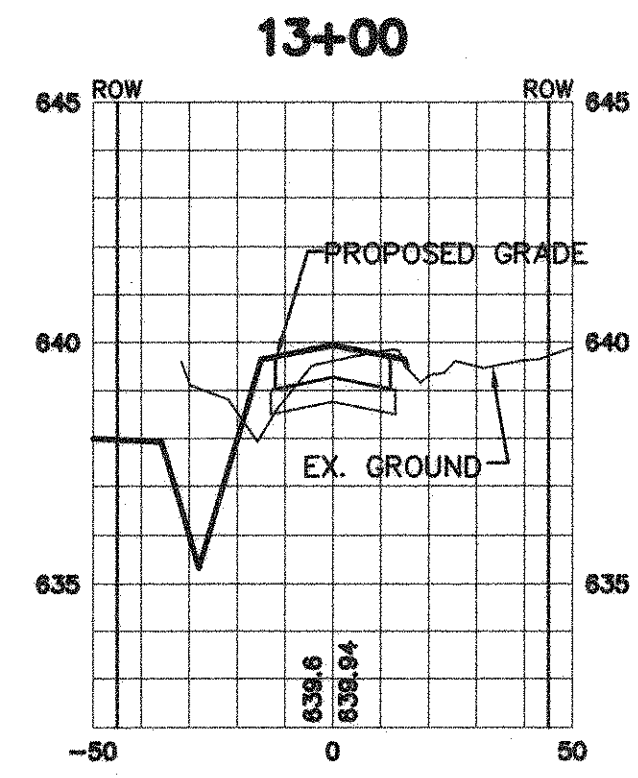
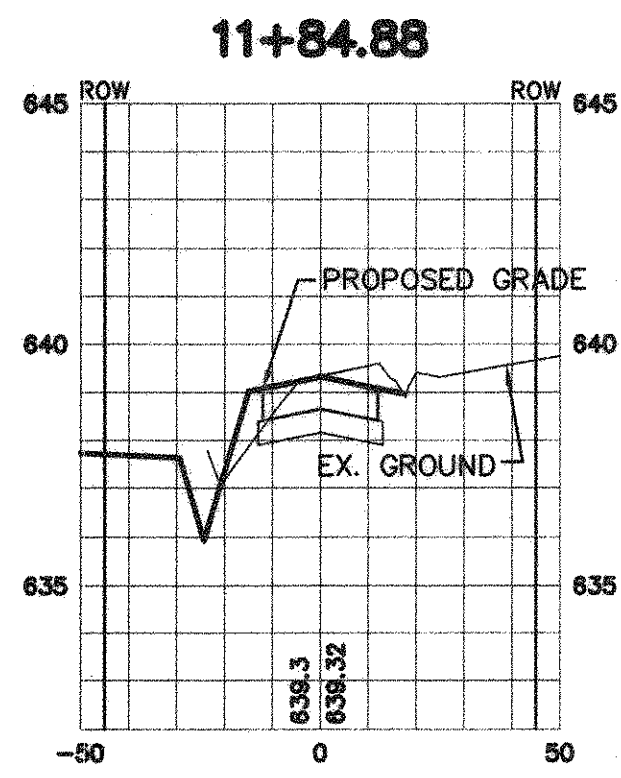
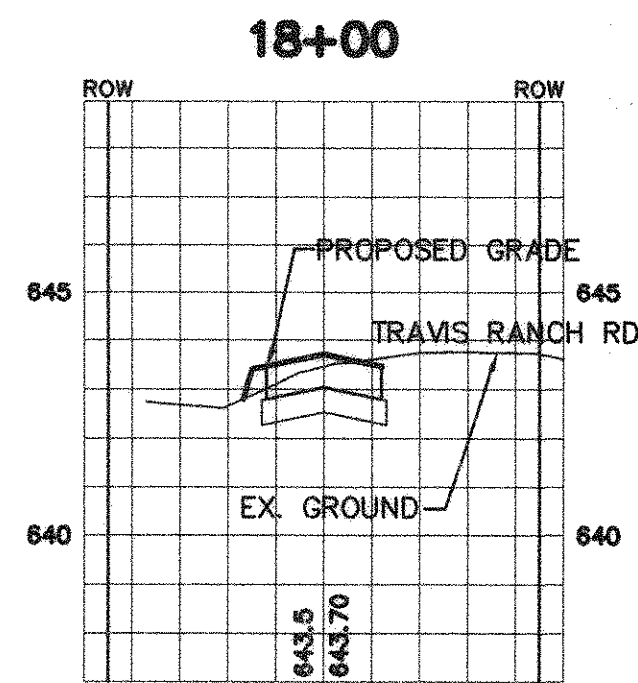
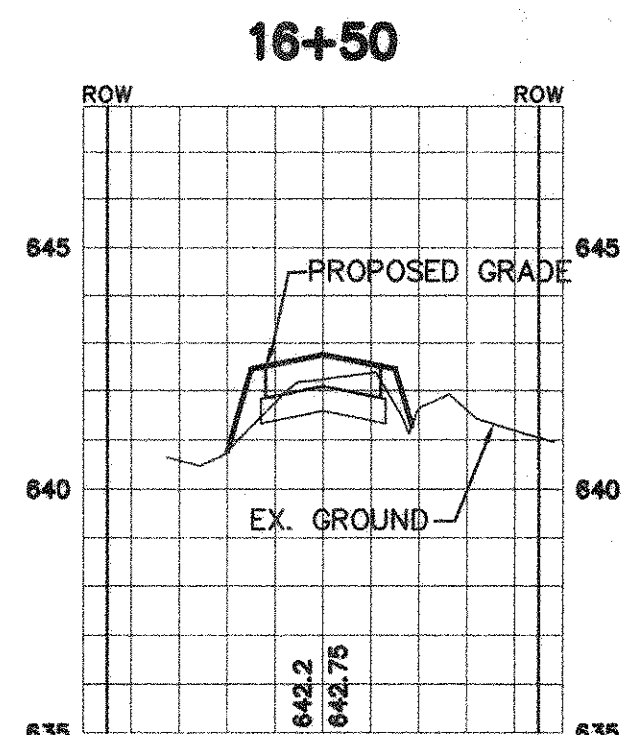
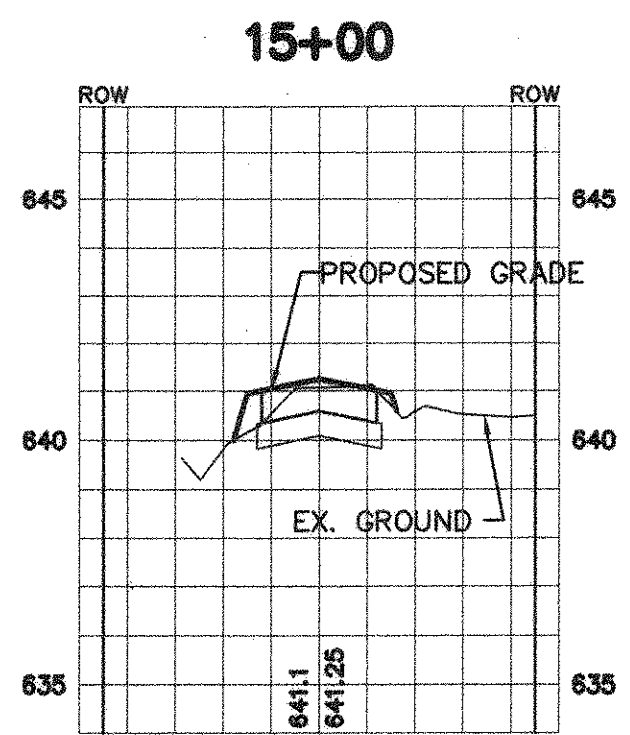
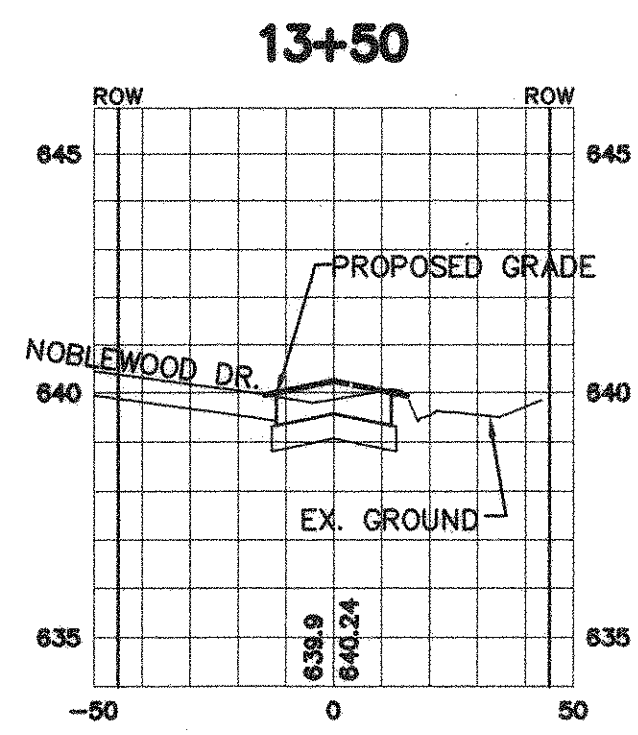
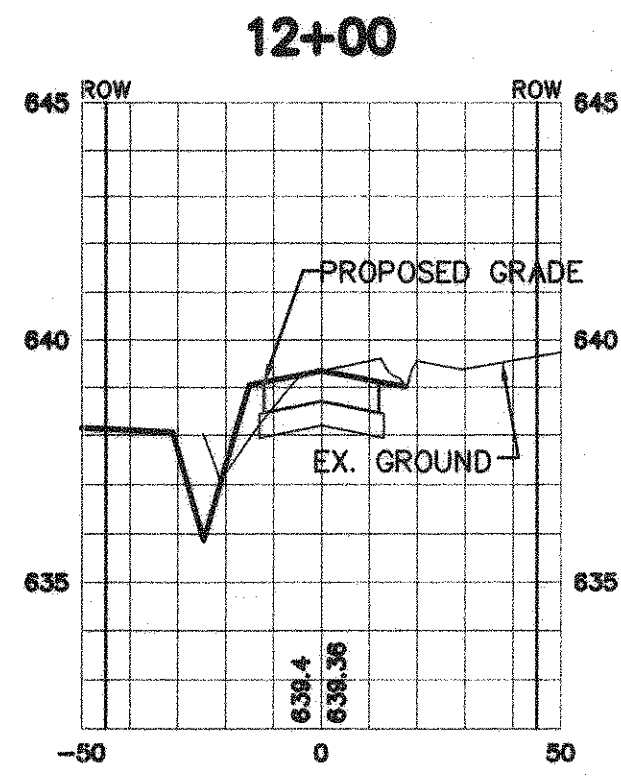
9-15-05
 The seal appearing on this document was authorized by Brian L. Umberger, P.E. 82474. Alteration of a sealed document without proper notification to the responsible engineer is an offense under the Texas Engineering Practice Act.

JB Jones & Boyd, Inc.
 17090 Dallas Parkway, Suite 200
 Dallas, Texas 75248
 972.248.7676 office
 972.248.1414 fax
 www.jones-boyd.com

- Engineering
- Surveying
- Planning
- Landscape Architecture
- Construction Management

PAVING SECTIONS
INGRAM ROAD
SADDLEBROOK ESTATES, PHASE II
 City of Lucas, Collin County, Texas

PROJECT NO. SK420
 SHEET NO. 5



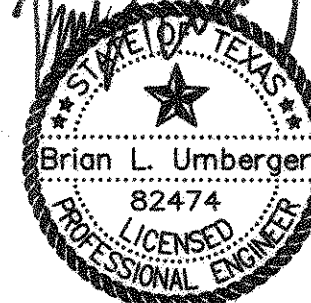
THESE DRAWINGS HAVE BEEN PREPARED BY OTHERS AND THE INFORMATION HAS NOT BEEN VERIFIED BY THE ENGINEER. THE ENGINEER ASSUMES NO RESPONSIBILITY FOR THE ACCURACY OF THE INFORMATION PROVIDED BY OTHERS. THE ENGINEER'S ONLY RESPONSIBILITY IS TO PREPARE THE DRAWINGS IN ACCORDANCE WITH THE PROFESSIONAL ENGINEERING ACT. DATE: 6/20/06

HORIZONTAL SCALE 1"=40'
VERTICAL SCALE 1"=4'

- BENCHMARKS:
1. "1/2" IR, W of Ingram Rd. +- 1025' N of N edge of Lucas Rd. +- 6' E of fence. Elev. 637.08
 2. "1/2" IR, E of Ingram Rd. +- 2650' N of N edge of Lucas Rd. +- 28' E & 37' N of fence corner.

REVISIONS DURING CONSTRUCTION			REVISIONS DURING PLAN REVIEW		
NO.	BY	DATE	NO.	BY	DATE

9.15.05
The seal appearing on this document was authorized by Brian L. Umberger, P.E. 82474. Alteration of a sealed document without proper notification to the responsible engineer is an offense under the Texas Engineering Practice Act.

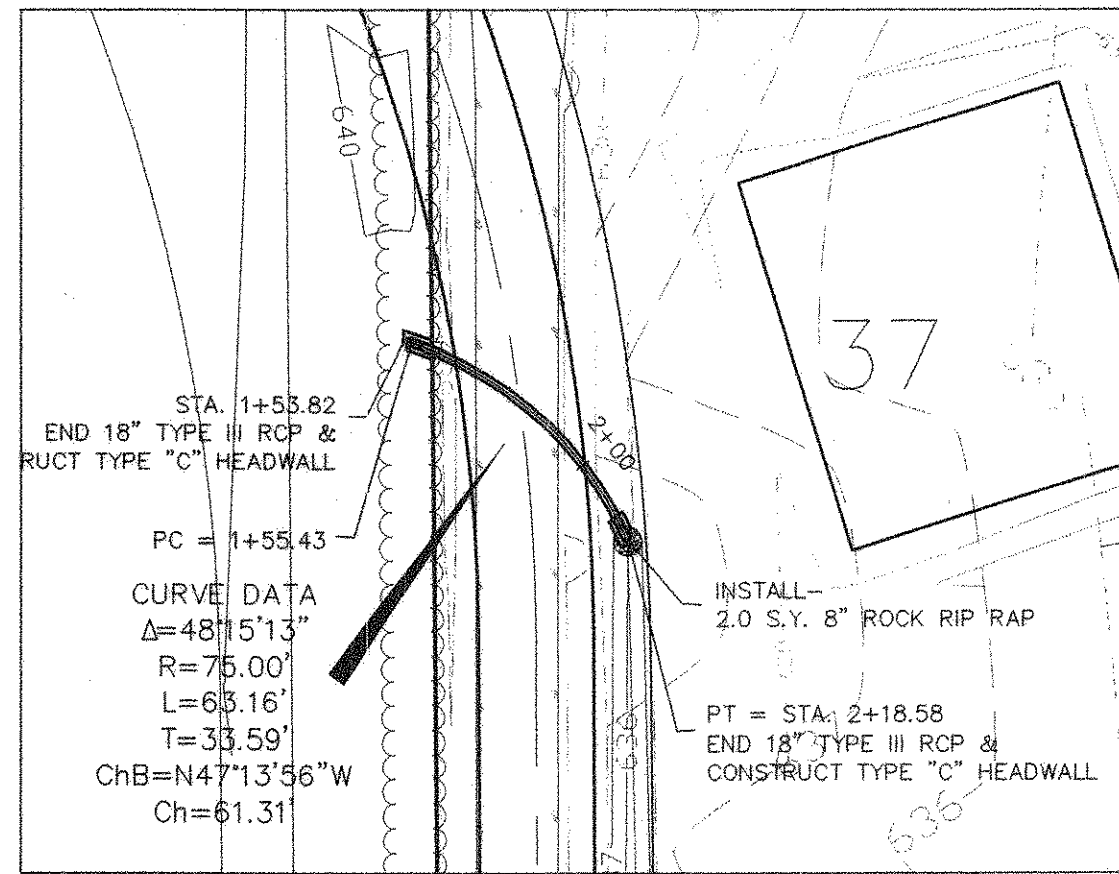


Jones & Boyd, Inc.
17090 Dallas Parkway, Suite 200
Dallas, Texas 75248
972.248.7676 office
972.248.1414 fax
www.jones-boyd.com

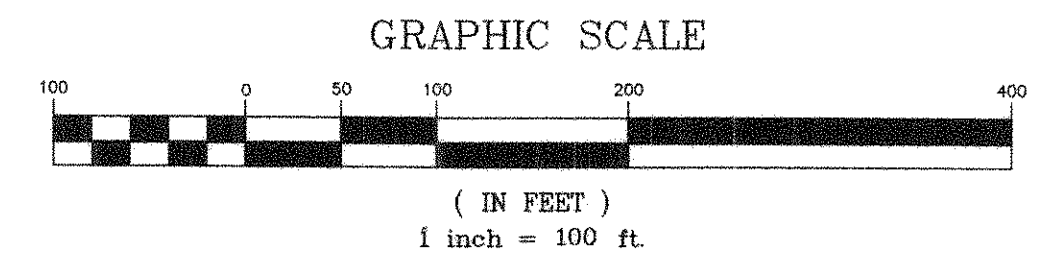
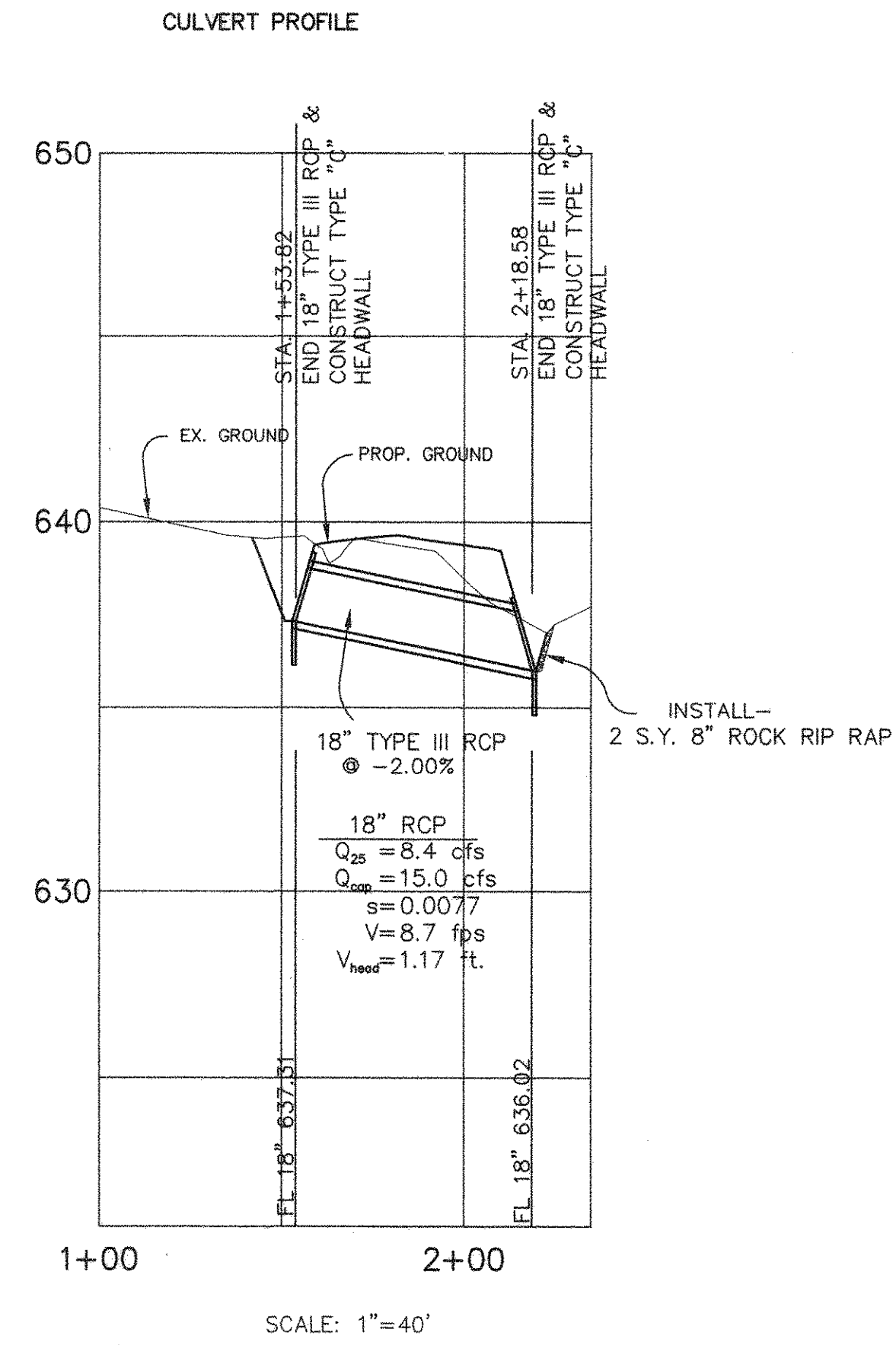
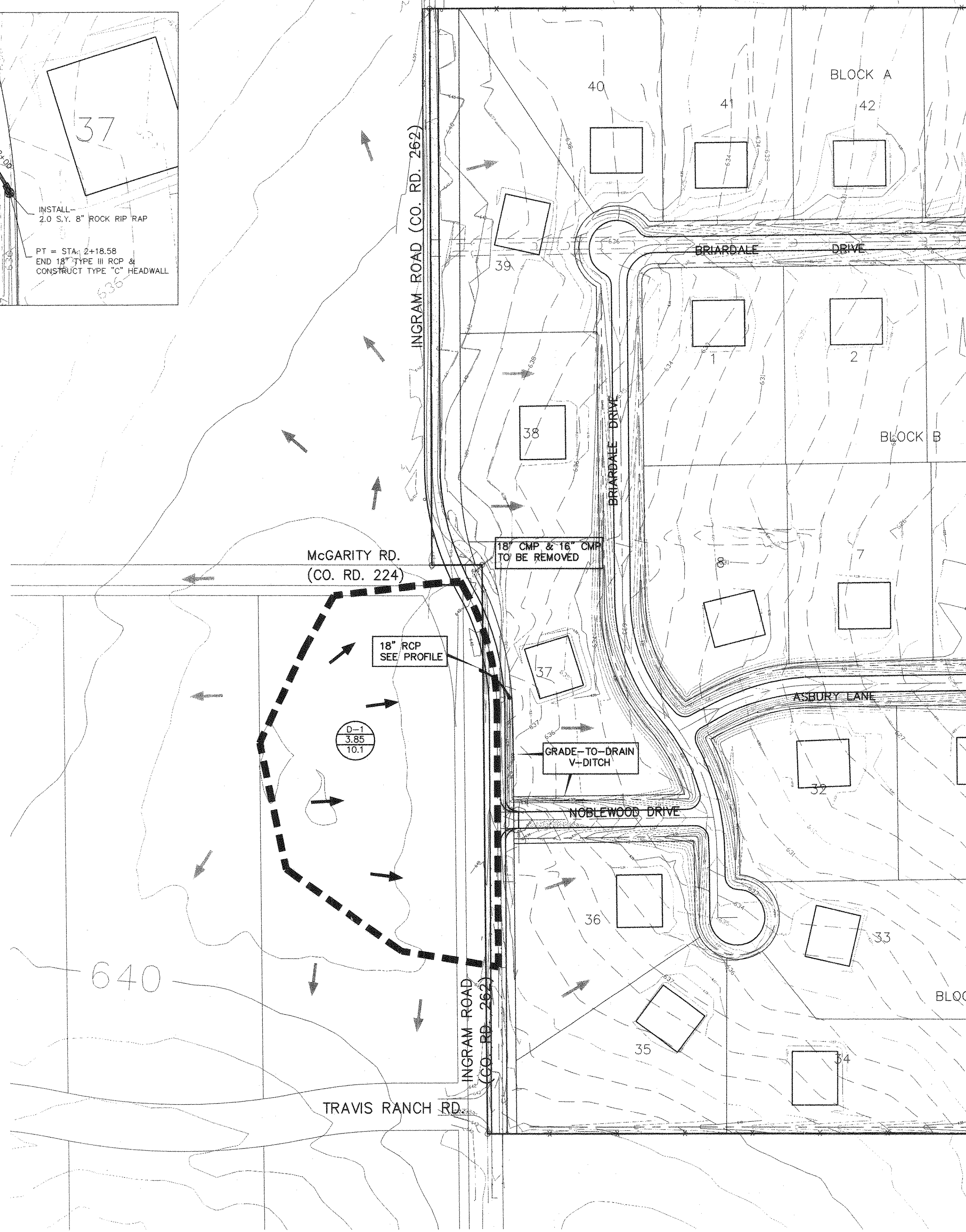
- Engineering
- Surveying
- Planning
- Landscape Architecture
- Construction Management

PAVING SECTIONS
INGRAM ROAD
SADDLEBROOK ESTATES, PHASE II
City of Lucas, Collin County, Texas

PROJECT NO. SK420
SHEET NO. 6



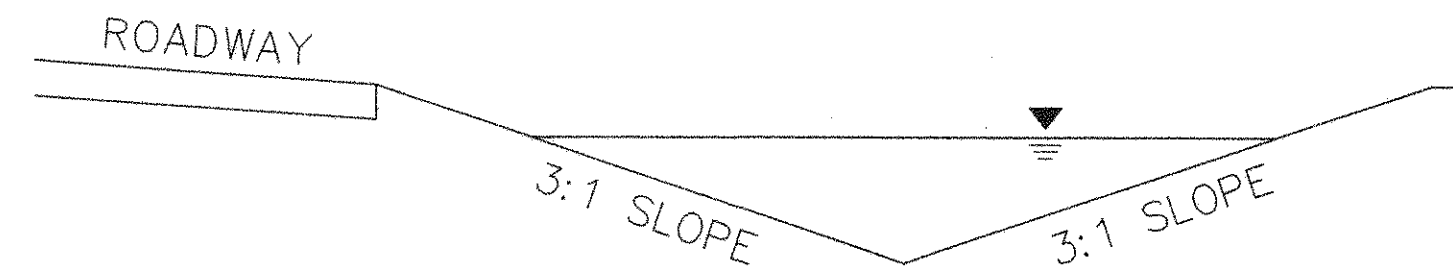
SCALE: 1"=40'



DRAINAGE THEORY
 $Q = CIA$ (25 yr. storm)
 Q = Runoff (c.f.s.)
 C = Runoff Coefficient
 $C_{\text{(undeveloped)}} = 0.35$
 $C_{\text{(developed)}} = 0.44$
 I = Intensity (in/hr)
 $I_{100} = 7.52$ (in/hr)
 A = Area (Acres)

RUNOFF CALCULATIONS

Drainage Area #	Area (Acres)	Runoff Coeff.	Intensity (in./hr.) "I ₂₅ "	Intensity (in./hr.) "I ₁₀₀ "	Time (conc.) (minutes) T _c	Discharge (c.f.s.) "Q ₂₅ "	Discharge (c.f.s.) "Q ₁₀₀ "	Comment
D-1	3.85	0.35	6.26	7.52	15.0	8.4	10.1	Undeveloped



GRADE-TO-DRAIN V-DITCH
 $Q(100) = 10.1$ cfs
 $V = 2.39$ fps
 $D = 1.2$ ft.
 N.T.S.

RECORD DRAWINGS
 THESE RECORD DRAWINGS HAVE BEEN PREPARED BASED ON INFORMATION PROVIDED BY DRISDORF JONES & BOYD, INC. HAS NOT VERIFIED THE ACCURACY AND/OR COMPLETENESS OF THE INFORMATION. DRISDORF JONES & BOYD, INC. DOES NOT WARRANT THE ACCURACY OR COMPLETENESS OF THE INFORMATION. DRISDORF JONES & BOYD, INC. SHALL BE RESPONSIBLE FOR ANY ERRORS OR OMISSIONS. A REGULAR CHARTERED PROFESSIONAL ENGINEER HAS REVIEWED THESE RECORD DRAWINGS FOR CONFORMANCE WITH THE PROFESSIONAL ENGINEERING ACT. BY: DATE: 6/20/06

LEGEND

- DRAINAGE AREA NUMBER
- PROPOSED DRAINAGE AREA (ACRES)
- PROPOSED RUNOFF, Q₁₀₀ (CFS)
- PROPOSED DRAINAGE DIVIDE
- EXISTING CONTOURS
- PROPOSED CONTOURS
- ON-COMING FLOW
- OFF-SITE FLOW

- BENCHMARKS:**
- "□" 1/2" IR, W of Ingram Rd. +- 1025' N of N edge of Lucas Rd. +- 6' E of fence. Elev. 637.08
 - "□" 1/2" IR, E. of Ingram Rd. +- 2650' N of N edge of Lucas Rd. +- 28' E & 37' N of fence corner.

NO.	REVISIONS DURING CONSTRUCTION	BY	DATE	NO.	REVISIONS DURING PLAN REVIEW	BY	DATE

Brian L. Umberger
 82474
 PROFESSIONAL ENGINEER
 LICENSE NO. 82474
 9-15-05
 The seal appearing on this document was authorized by Brian L. Umberger, P.E. 82474. Alteration of a sealed document without proper notification to the responsible engineer is an offense under the Texas Engineering Practice Act.

Jones & Boyd, Inc.
 17090 Dallas Parkway, Suite 200
 Dallas, Texas 75248
 972.248.7676 office
 972.248.1414 fax
 www.jones-boyd.com

- Engineering
- Surveying
- Planning
- Landscape Architecture
- Construction Management

DRAINAGE AREA MAP
SADDLEBROOK, PHASE II
 City of Lucas, Collin County, Texas
 PROJECT NO. SK420
 SHEET NO. 7

TO BE PROVIDED BY CONTRACTOR

RECORD DRAWINGS
 THESE RECORD DOCUMENTS HAVE BEEN
 PREPARED BASED ON INFORMATION
 PROVIDED BY OTHERS. JONES & BOYD, INC.
 HAS NOT VERIFIED THE ACCURACY OF
 SUCH INFORMATION. THE CONTRACTOR
 SHALL BE RESPONSIBLE FOR VERIFYING
 ALL INFORMATION PROVIDED BY OTHERS
 AND FOR CORRECTING ANY ERRORS
 OR OMISSIONS. THESE RECORDS ARE
 PROVIDED BY THE CONTRACTOR AS
 PART OF THE OBLIGATIONS OF THE
 CONTRACT.
 BY: *[Signature]*
 DATE: 8/20/06

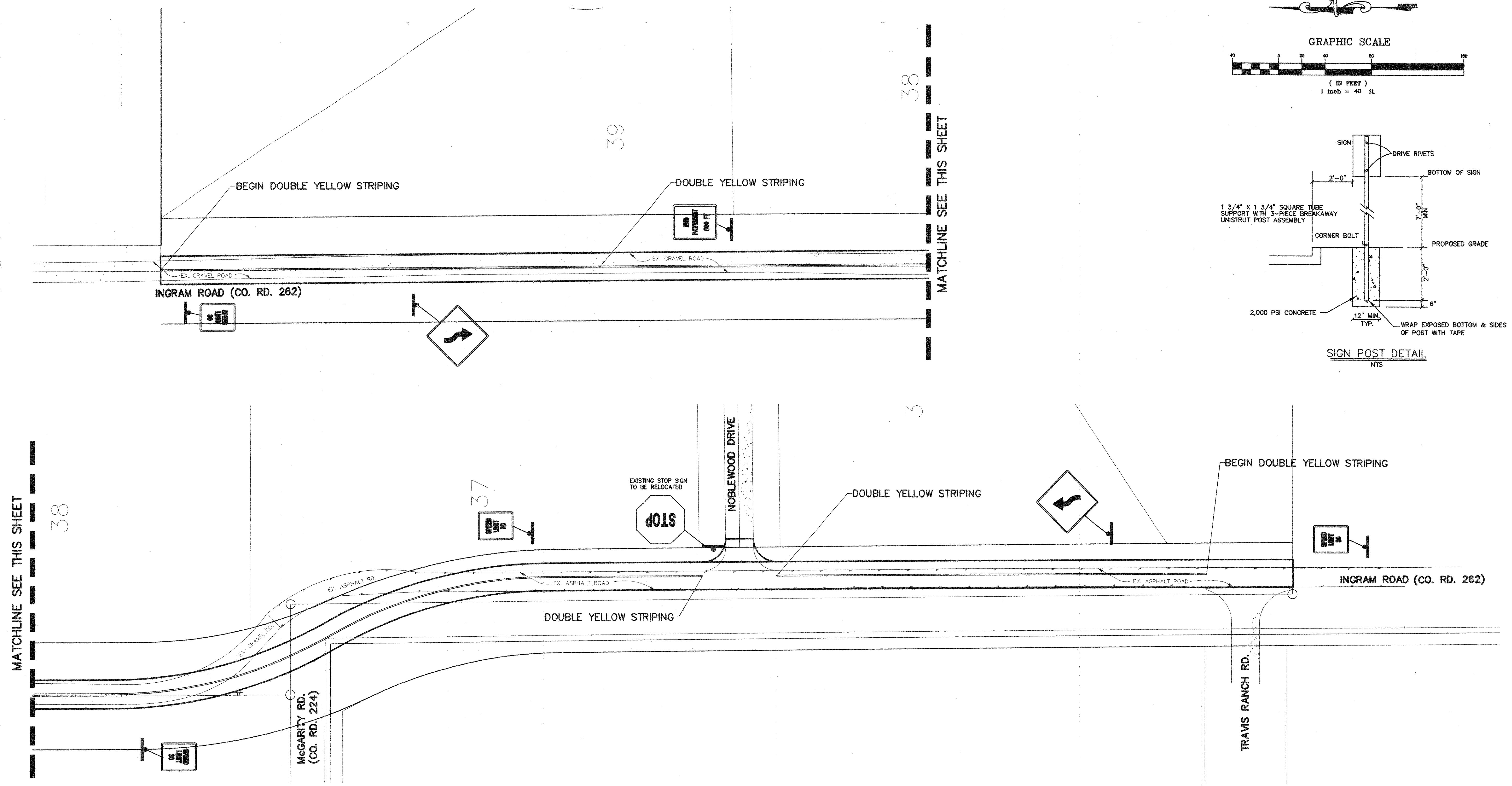
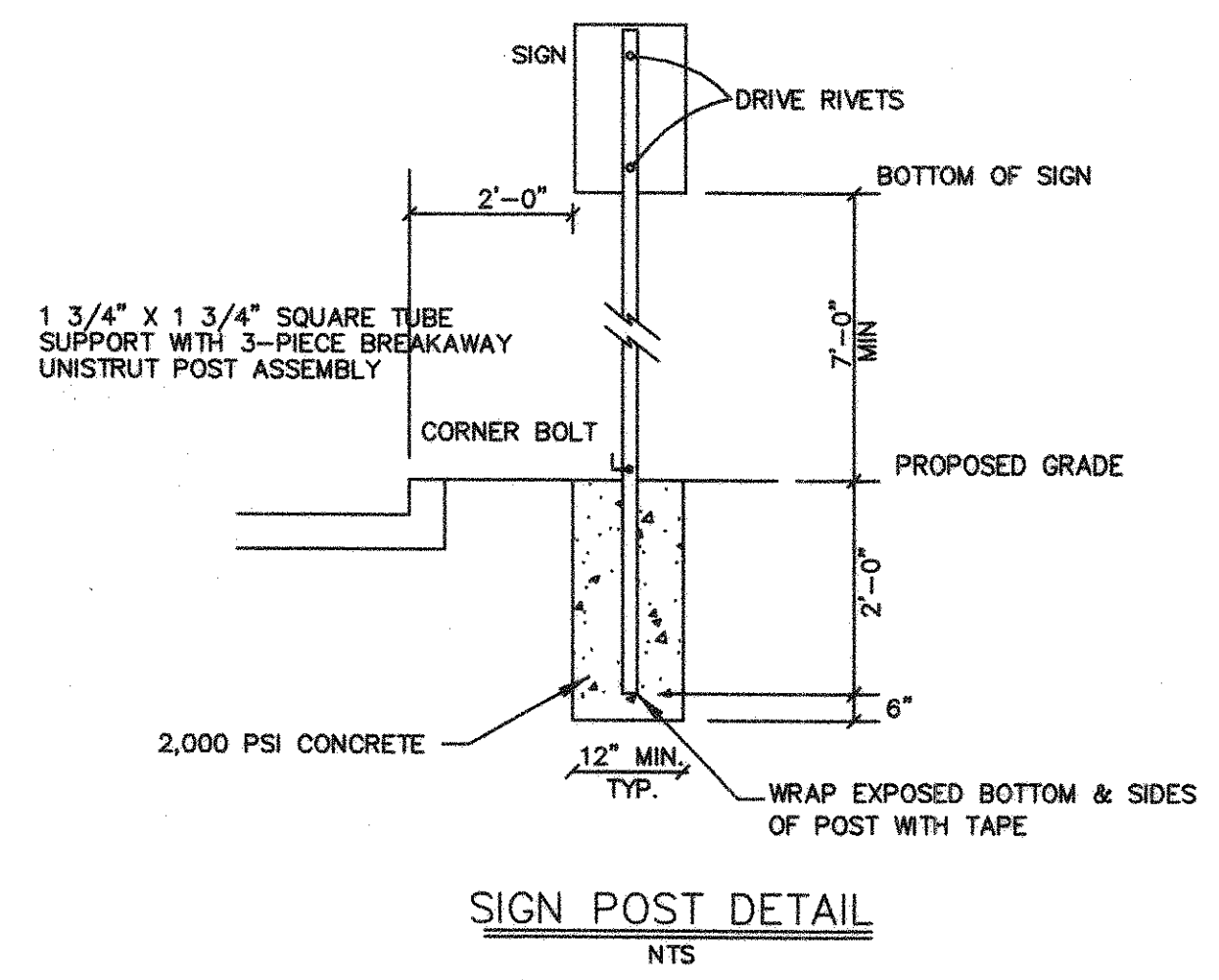
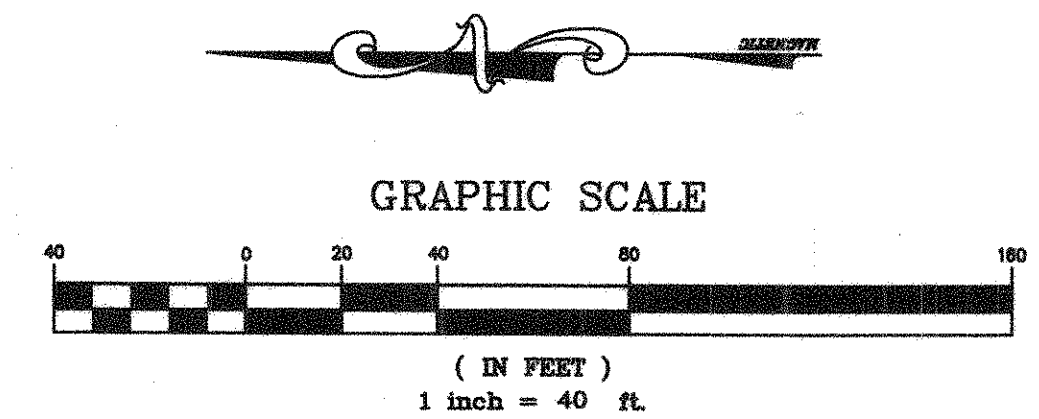
REVISIONS DURING CONSTRUCTION			REVISIONS DURING PLAN REVIEW		
NO.	BY	DATE	NO.	BY	DATE

JB Jones & Boyd, Inc.
 17090 Dallas Parkway, Suite 200
 Dallas, Texas 75248
 972.248.7676 office
 972.248.1414 fax
www.jones-boyd.com

- Engineering
- Surveying
- Planning
- Landscape Architecture
- Construction Management

INGRAM ROAD
TRAFFIC CONTROL PLAN
SADDLEBROOK ESTATES, PHASE II
 City of Lucas, Collin County, Texas

PROJECT NO.
SK420
 SHEET NO.
8



- BENCHMARKS:**
- "□" 1/2" IR, W of Ingram Rd. +- 1025' N of N edge of Lucas Rd. +- 6' E of fence. Elev. 637.08
 - "□" 1/2" IR, E of Ingram Rd. +- 2650' N of N edge of Lucas Rd. +- 28' E & 37' N of fence corner.

NO.	REVISIONS DURING CONSTRUCTION	BY	DATE	NO.	REVISIONS DURING PLAN REVIEW	BY	DATE

9.15.05
 The seal appearing on this document was authorized by Brian L. Umberger, P.E. 82474. Alteration of a sealed document without proper notification to the responsible engineer is an offense under the Texas Engineering Practice Act.

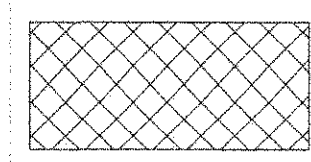
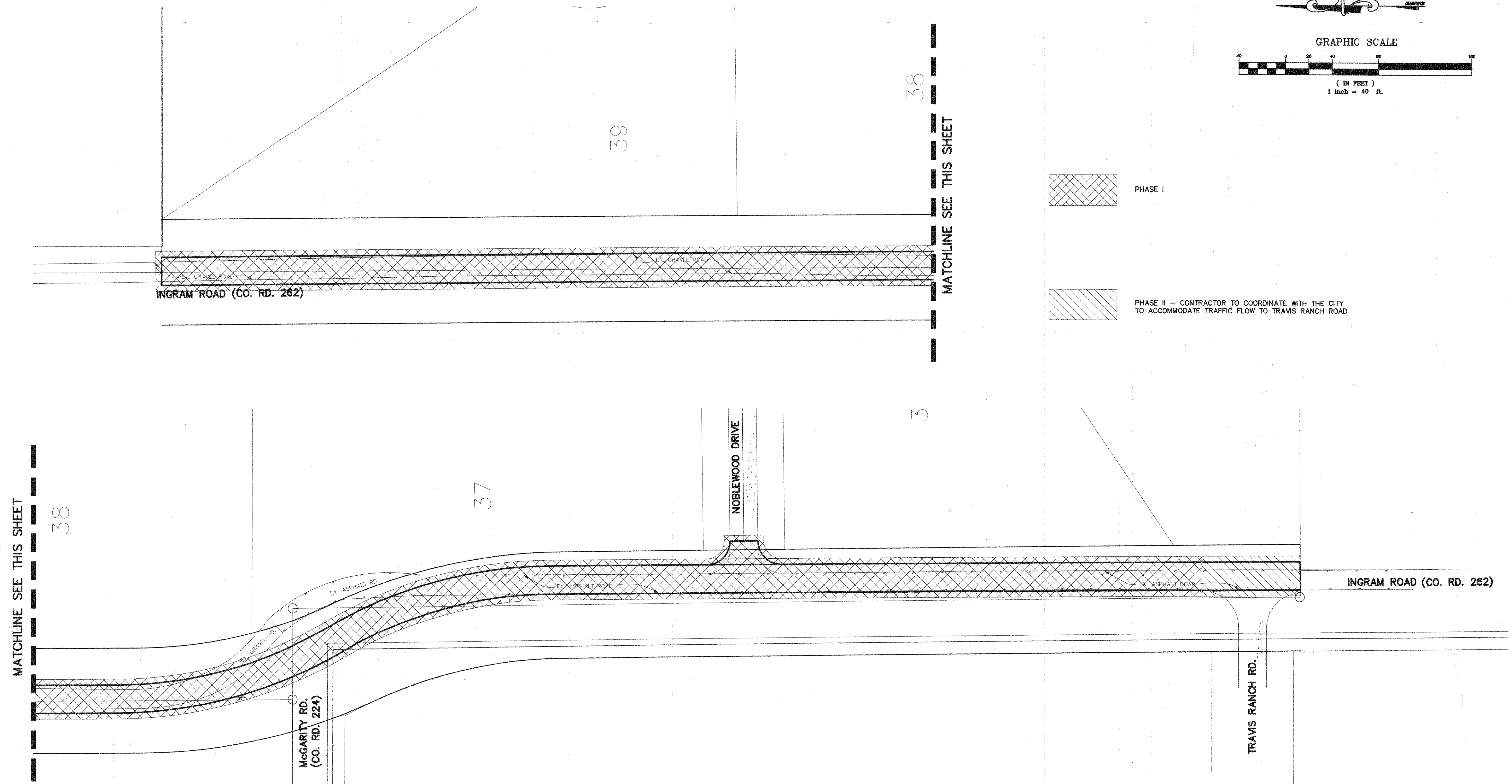
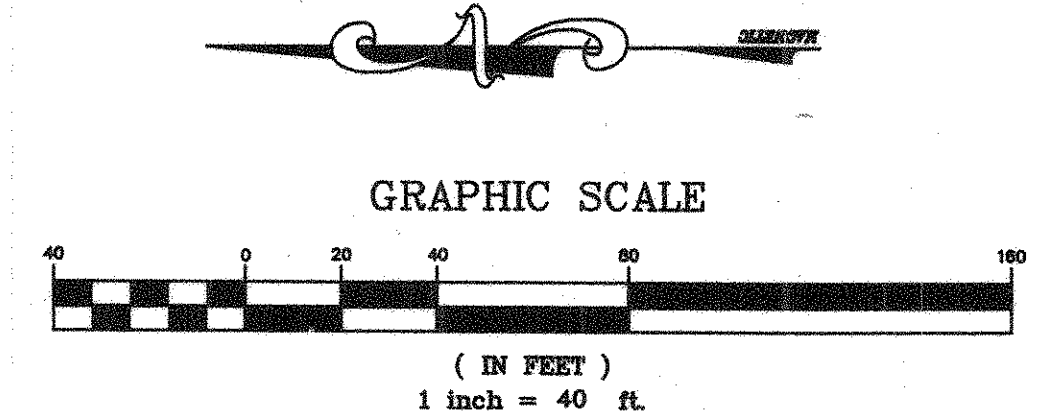
JB Jones & Boyd, Inc.
 17090 Dallas Parkway, Suite 200
 Dallas, Texas 75248
 972.248.7676 office
 972.248.1414 fax
 www.jones-boyd.com

- Engineering
- Surveying
- Planning
- Landscape Architecture
- Construction Management

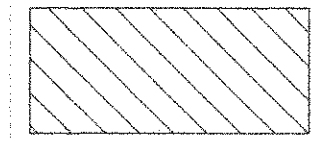
STRIPING & SIGNAGE PLAN
SADDLEBROOK ESTATES, PHASE II
 City of Lucas, Collin County, Texas

PROJECT NO. SK420
 SHEET NO. 9

PREPARED, CHECKED, DESIGNED, DRAWN, AND PLOTTED BY: JAMES E. JONES, P.E.
 DATE: 8/20/06



PHASE I



PHASE II - CONTRACTOR TO COORDINATE WITH THE CITY TO ACCOMMODATE TRAFFIC FLOW TO TRAVIS RANCH ROAD

MATCHLINE SEE THIS SHEET

MATCHLINE SEE THIS SHEET

- BENCHMARKS:**
- "□" 1/2" IR, W of Ingram Rd. +- 1025' N of N edge of Lucas Rd. +- 6" E of fence. Elev. 637.08
 - "□" 1/2" IR, E of Ingram Rd. +- 2650' N of N edge of Lucas Rd. +- 28' E & 37' N of fence corner.

NO.	REVISIONS DURING CONSTRUCTION	BY	DATE	NO.	REVISIONS DURING PLAN REVIEW	BY	DATE

9-15-05

The seal appearing on this document was authorized by Brian L. Umberger, P.E. 82474. Alteration of a sealed document without proper notification to the responsible engineer is an offense under the Texas Engineering Practice Act.

JB Jones & Boyd, Inc.

17090 Dallas Parkway, Suite 200
 Dallas, Texas 75248
 972.248.7676 office
 972.248.1414 fax
 www.jones-boyd.com

- Engineering
- Surveying
- Planning
- Landscape Architecture
- Construction Management

CONSTRUCTION SEQUENCING PLAN

SADDLEBROOK ESTATES, PHASE II

City of Lucas, Collin County, Texas

PROJECT NO.	SK420
SHEET NO.	10

DATE PLOTTED: 9/14/2005 8:07 PM
 PLOTTED BY: KLEMENT

6/20/06